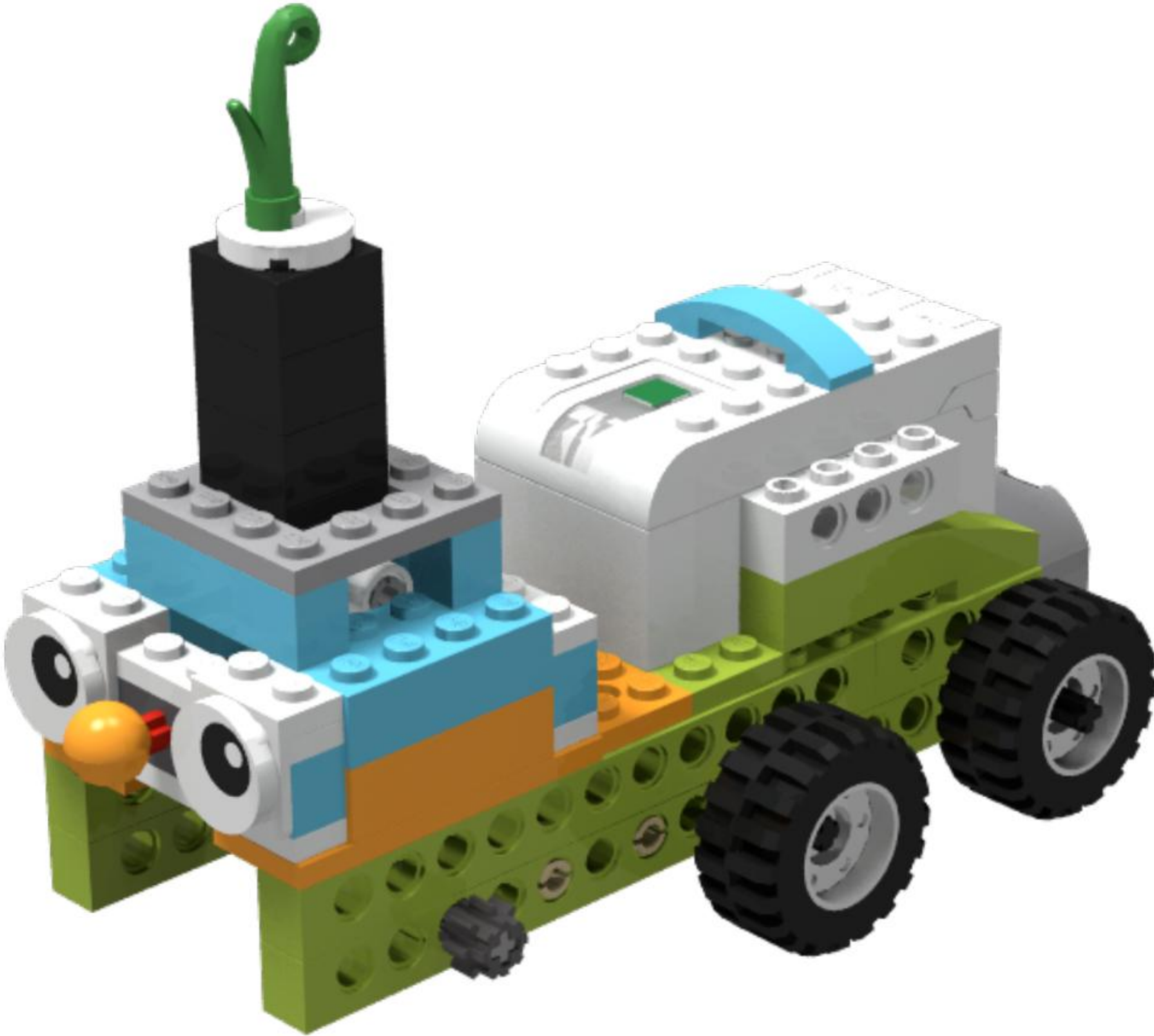
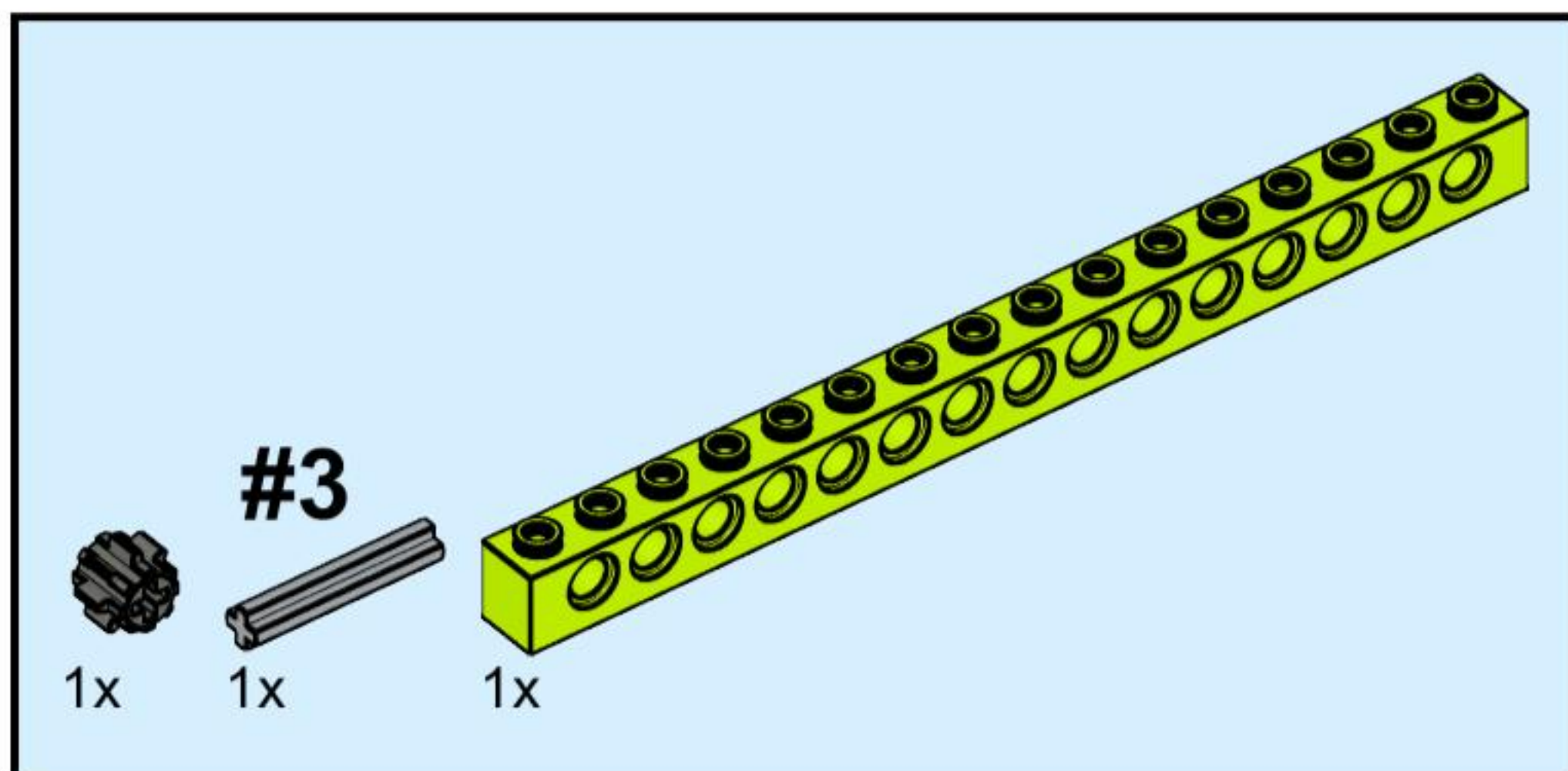
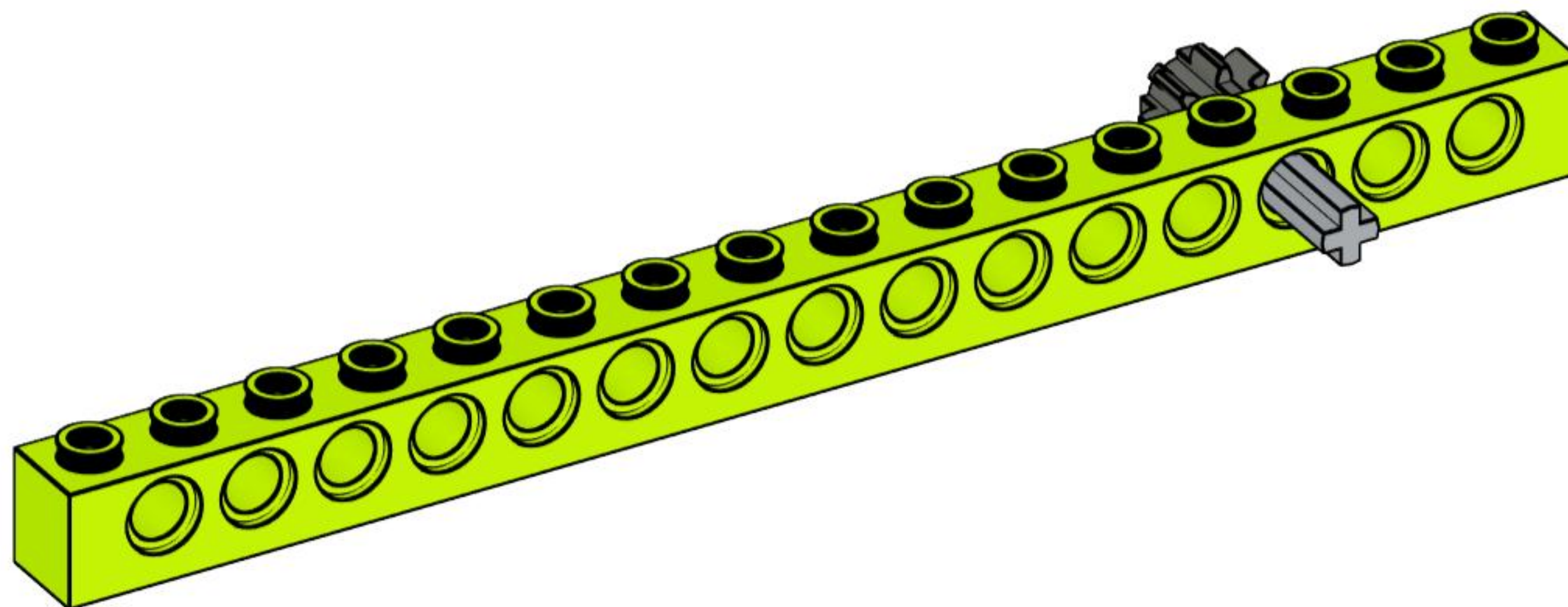


# ***Build Tommy the TankBot***

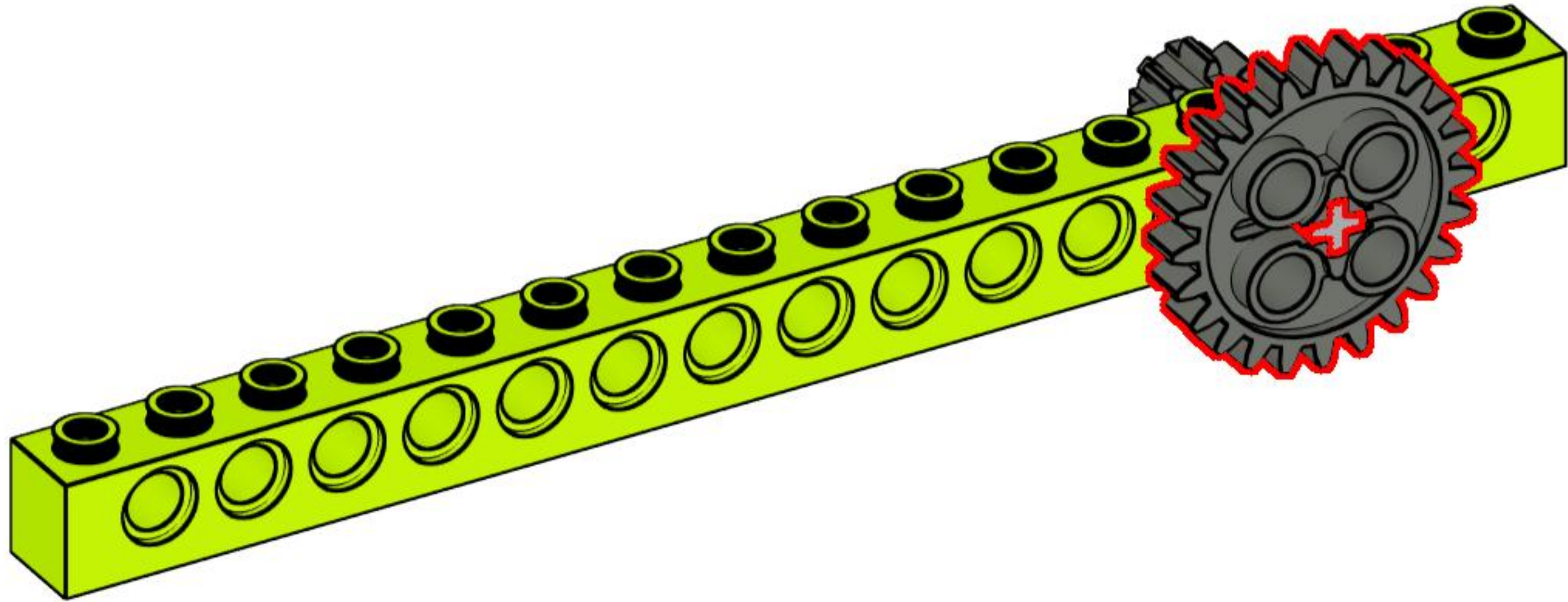
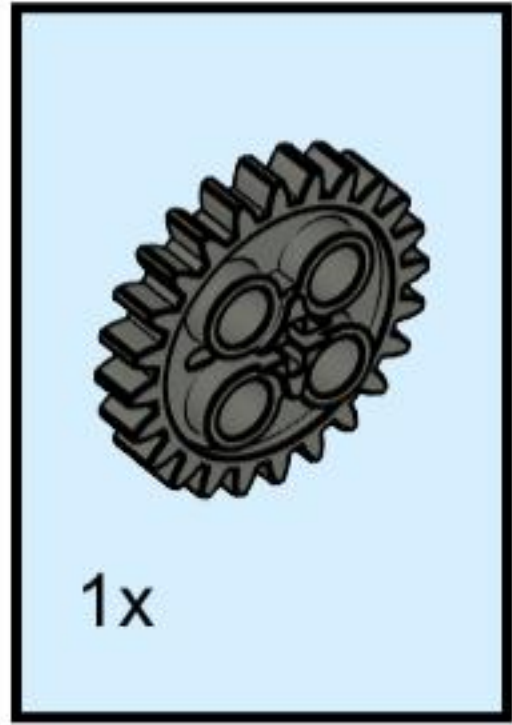


# 1

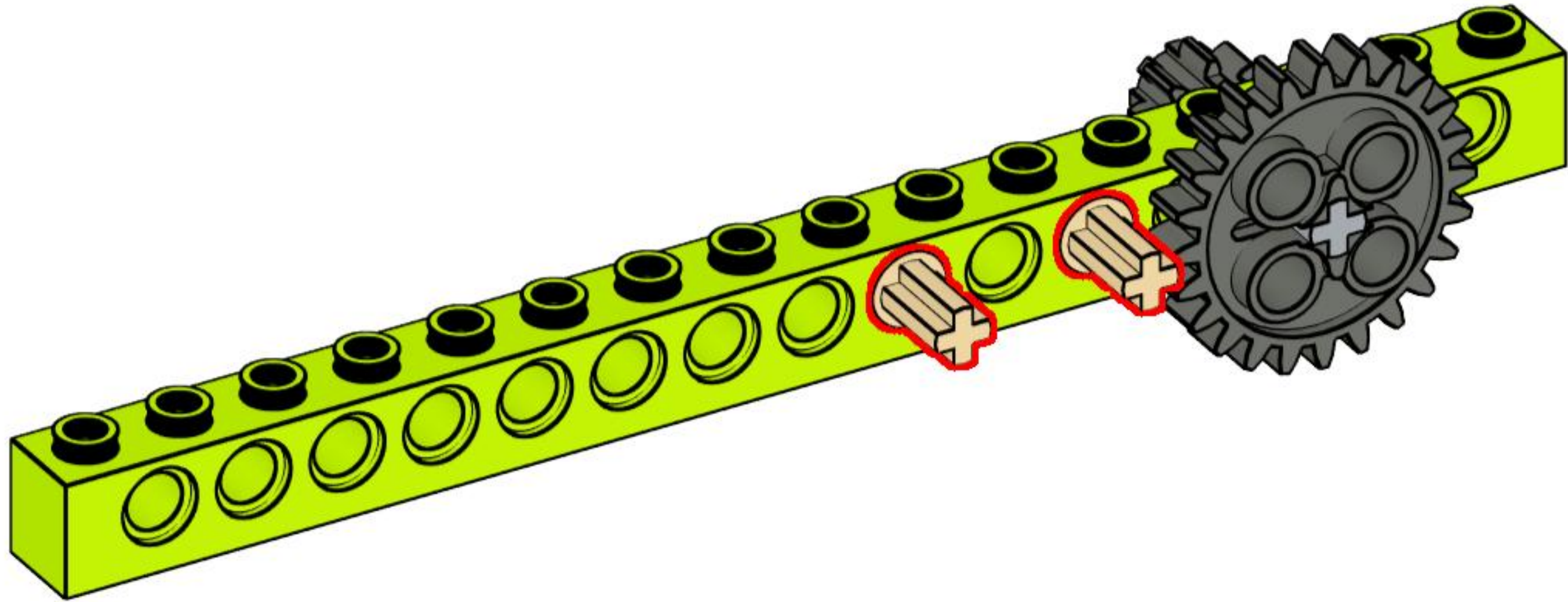
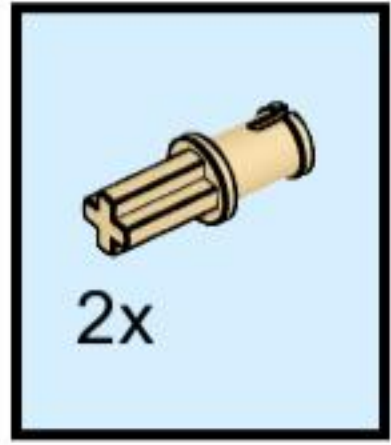




2

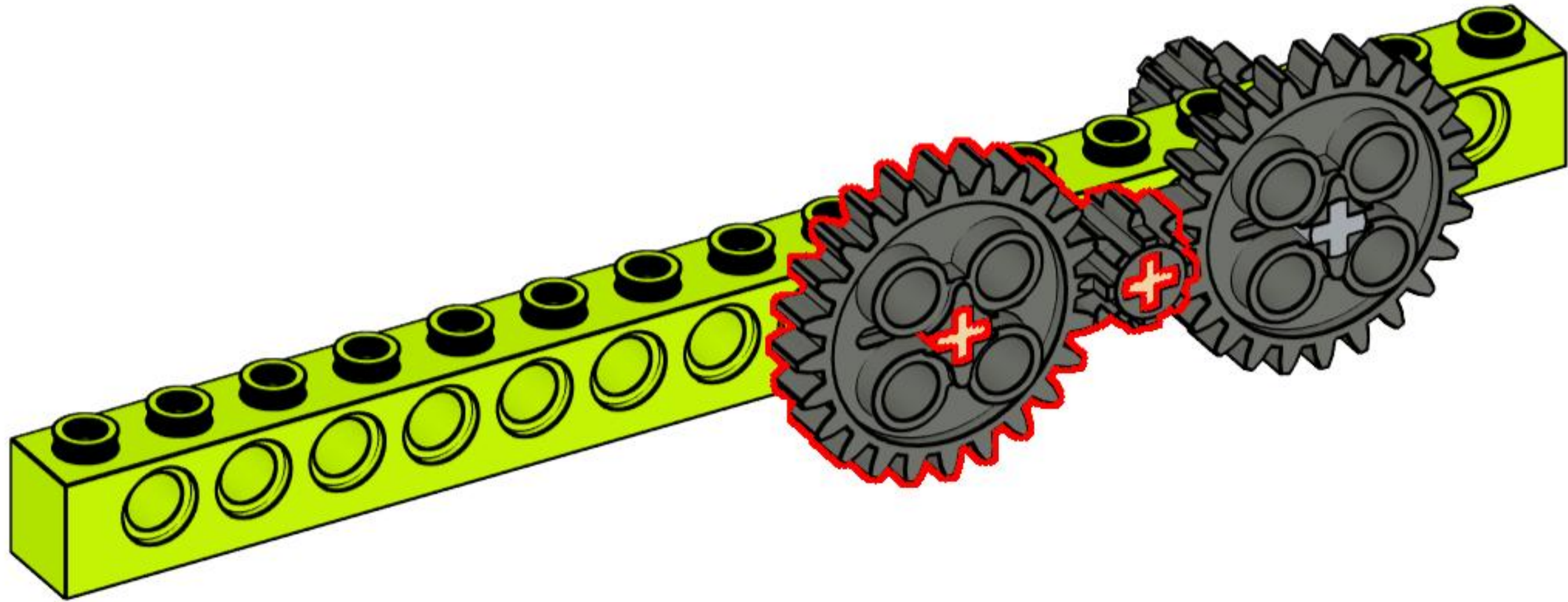
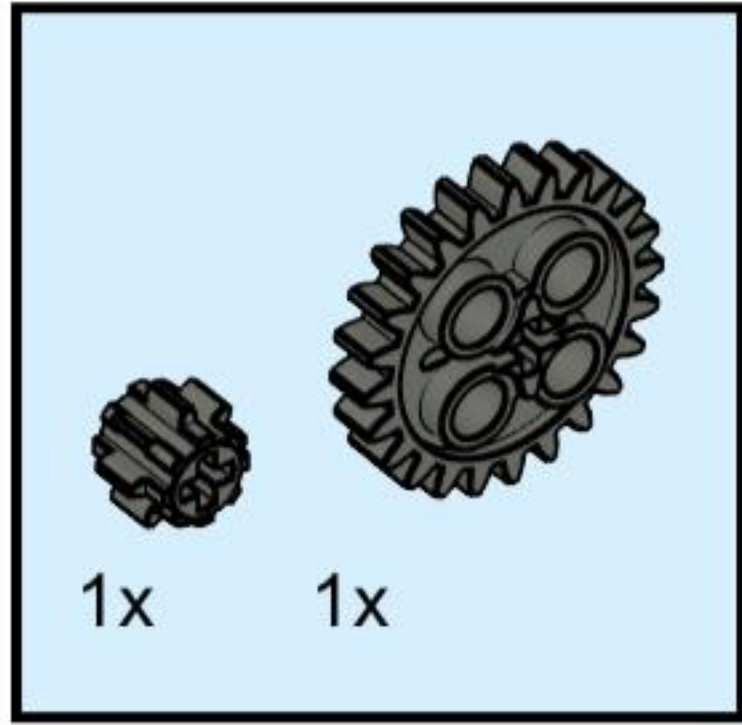


3

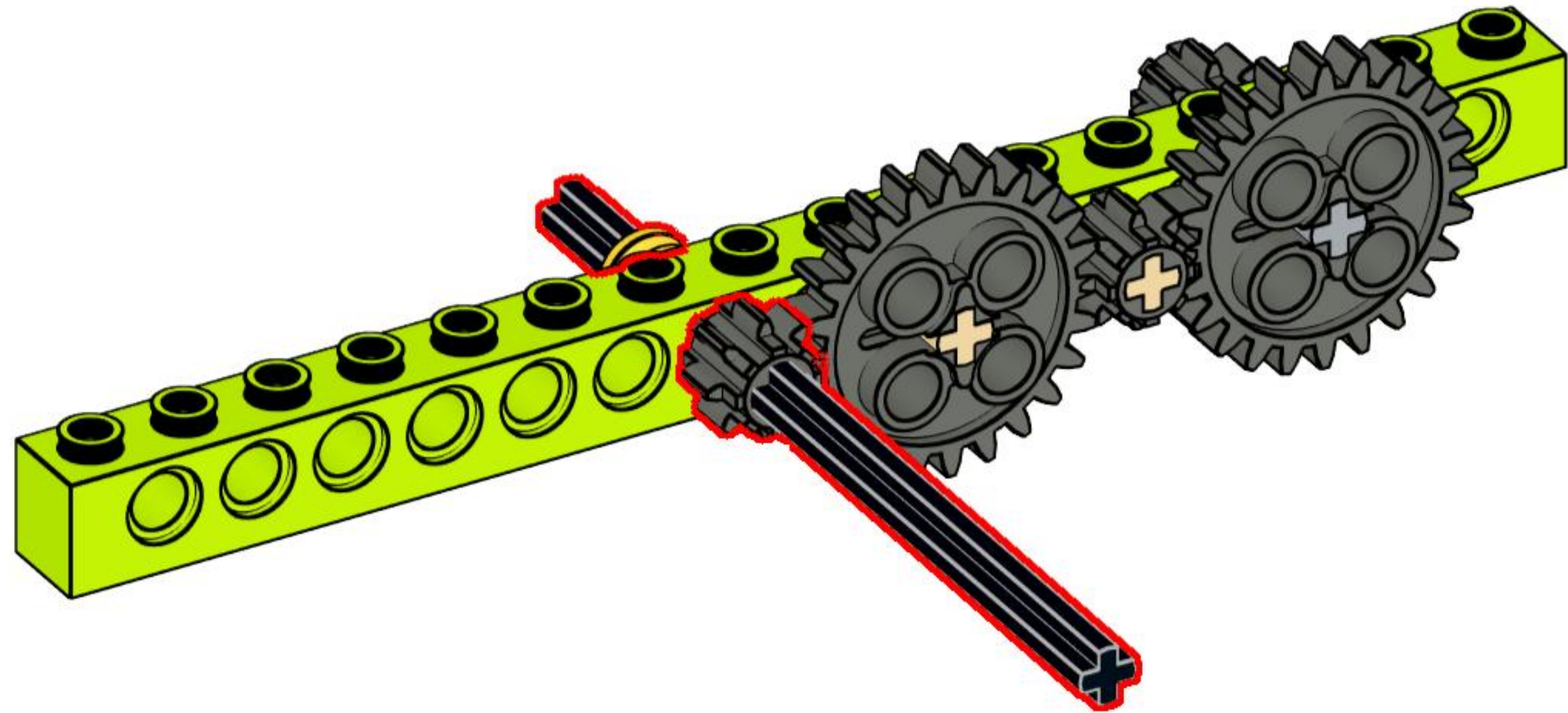
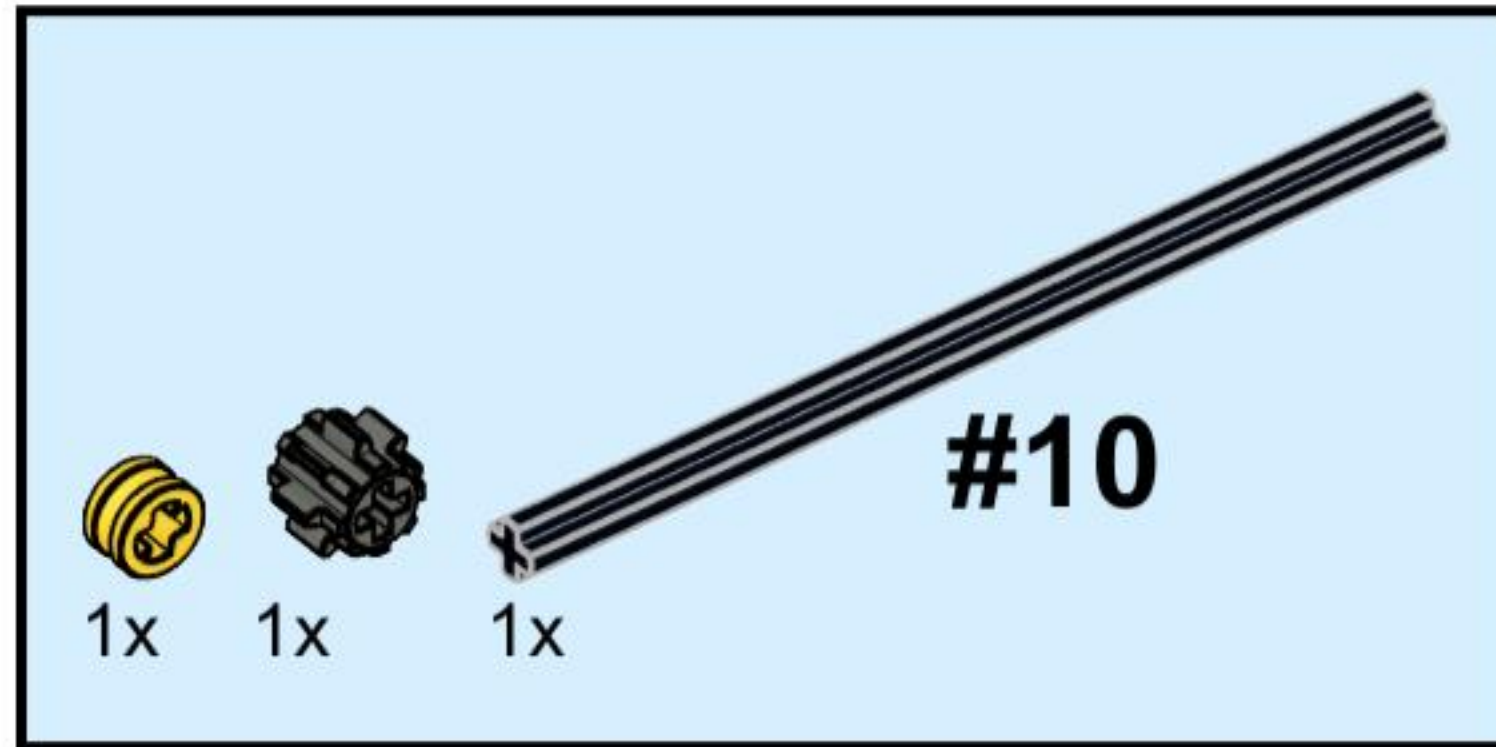




4

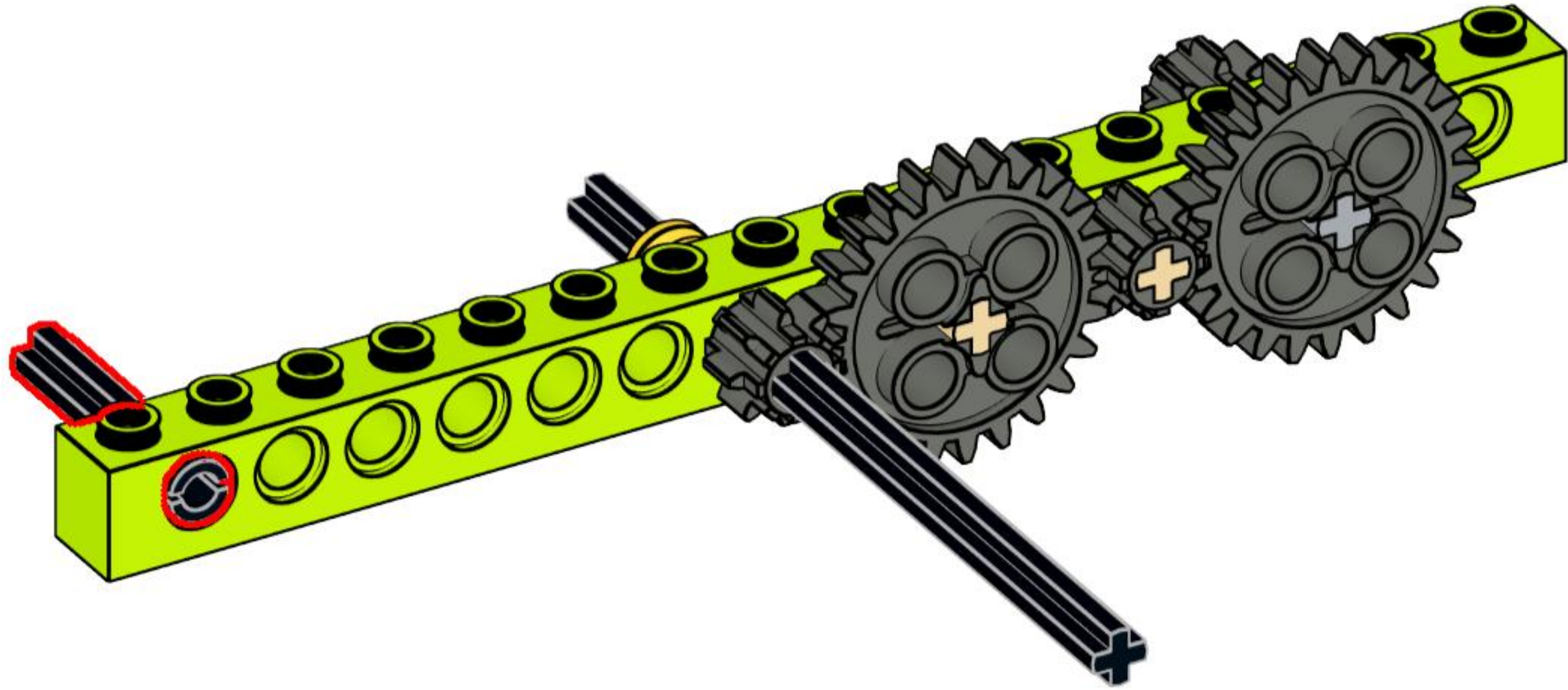


5

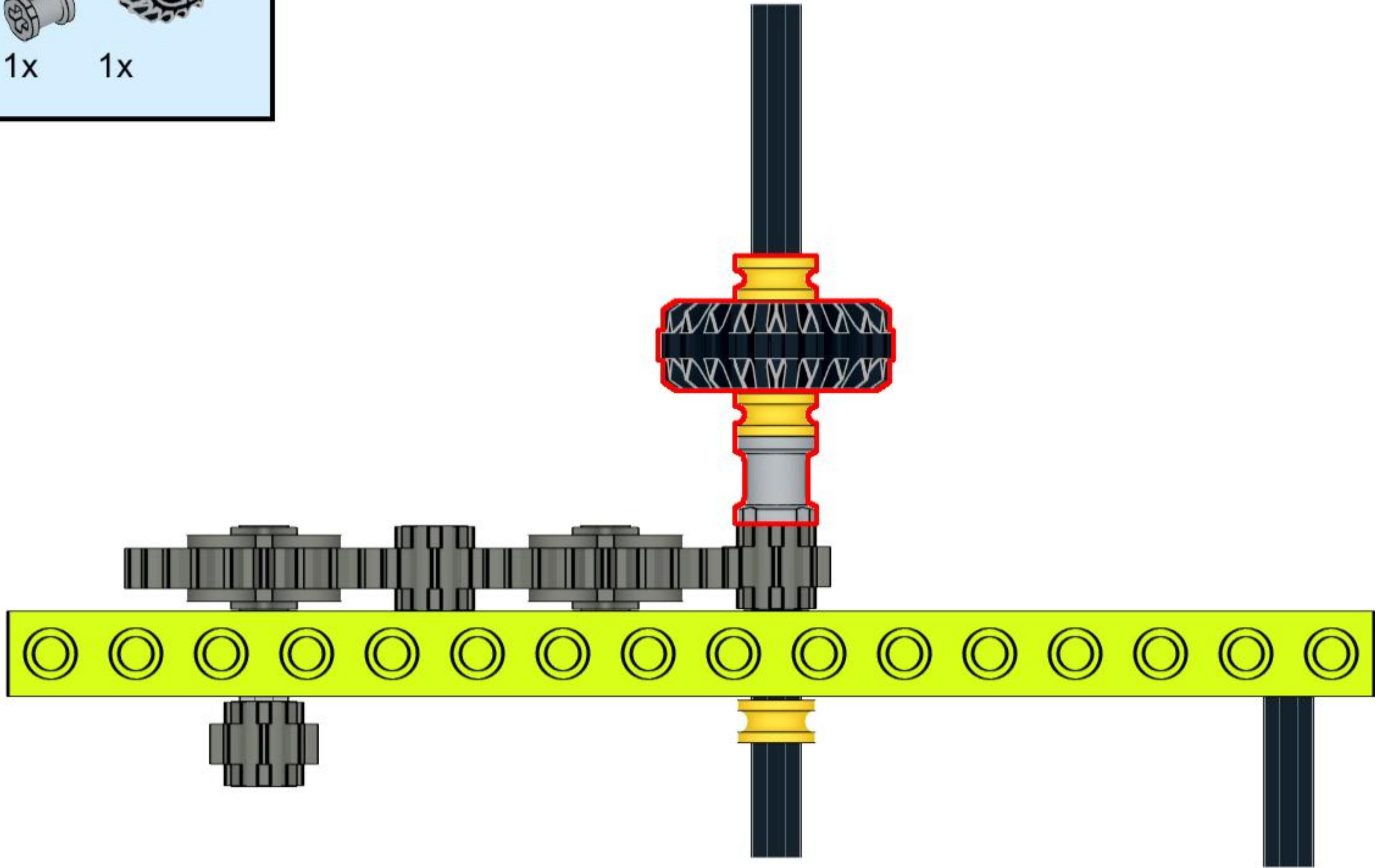
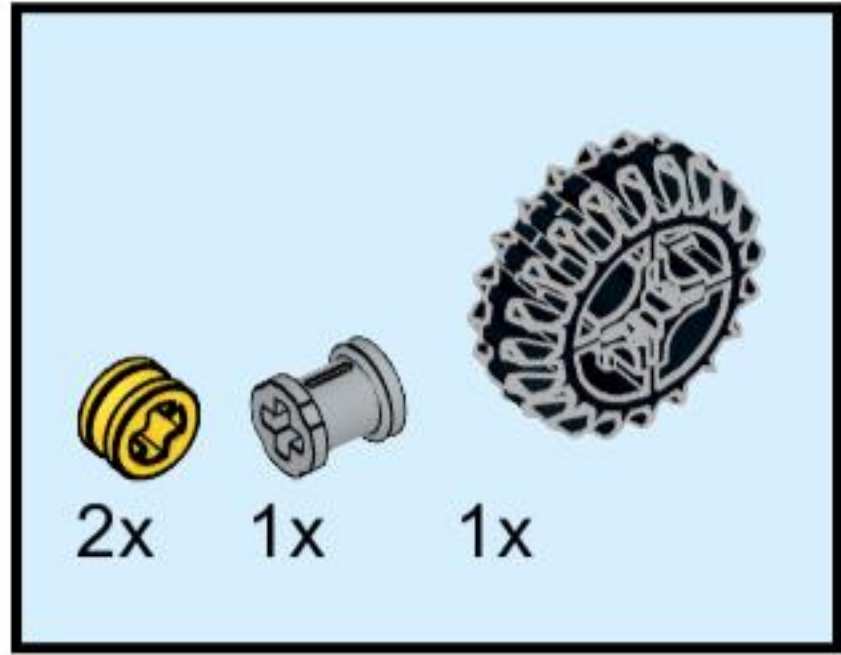




6

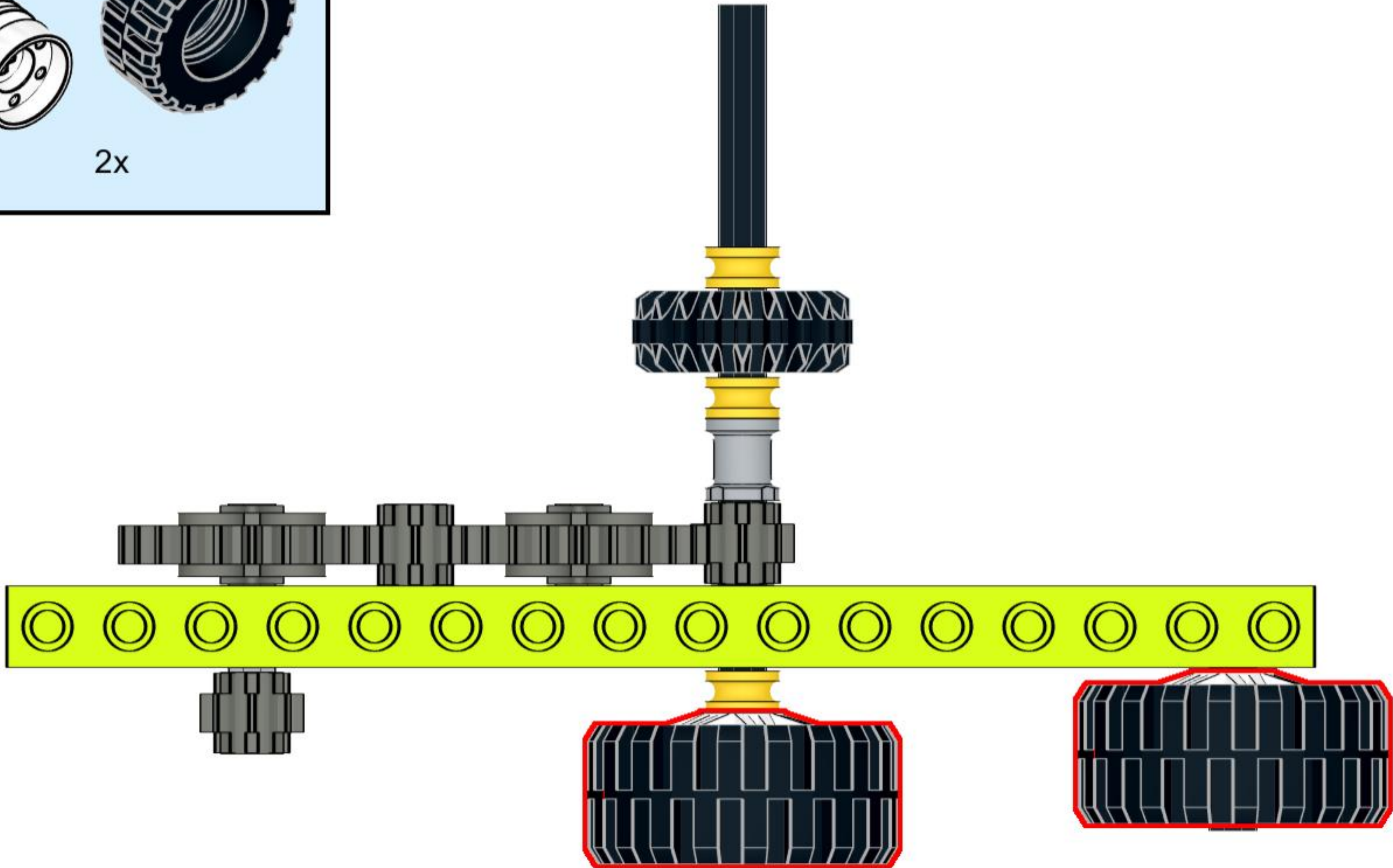
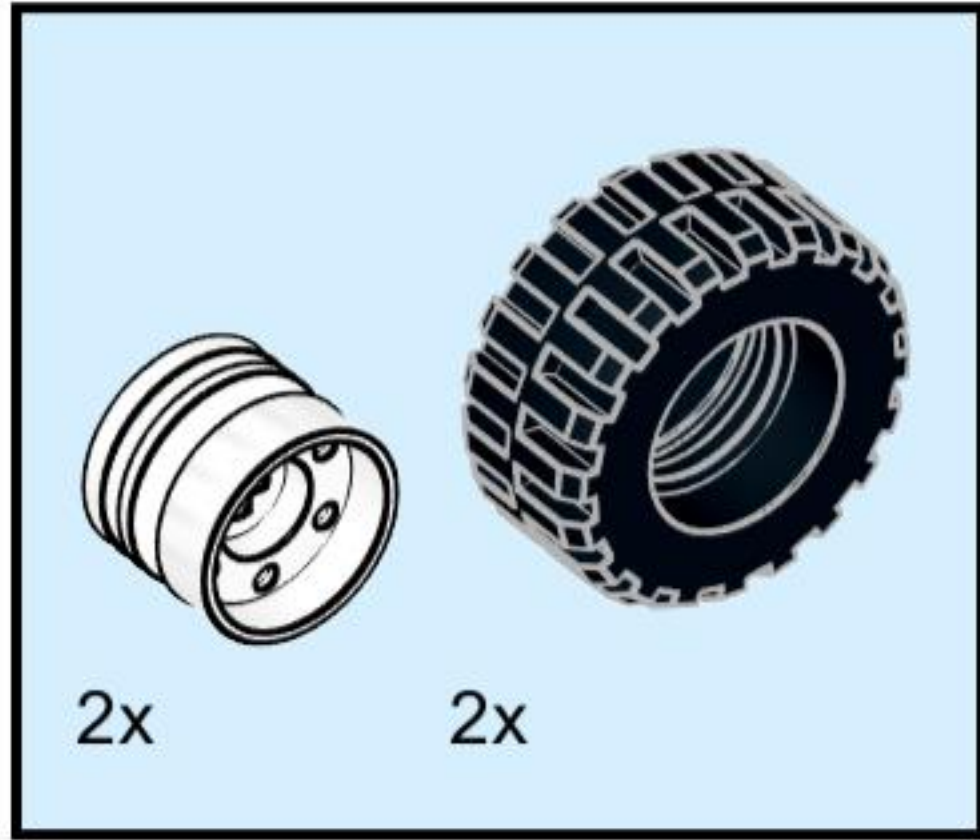


7

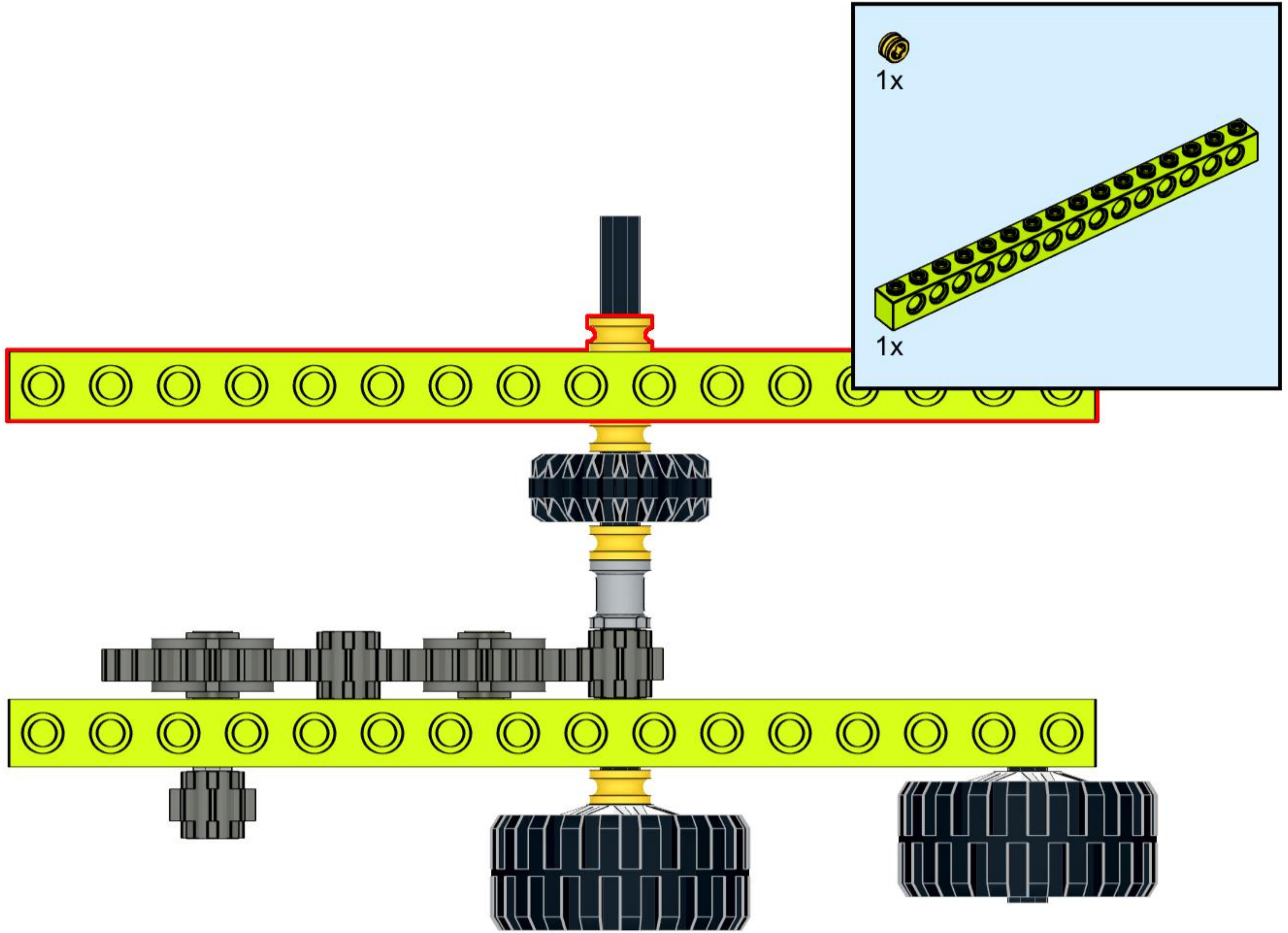




8



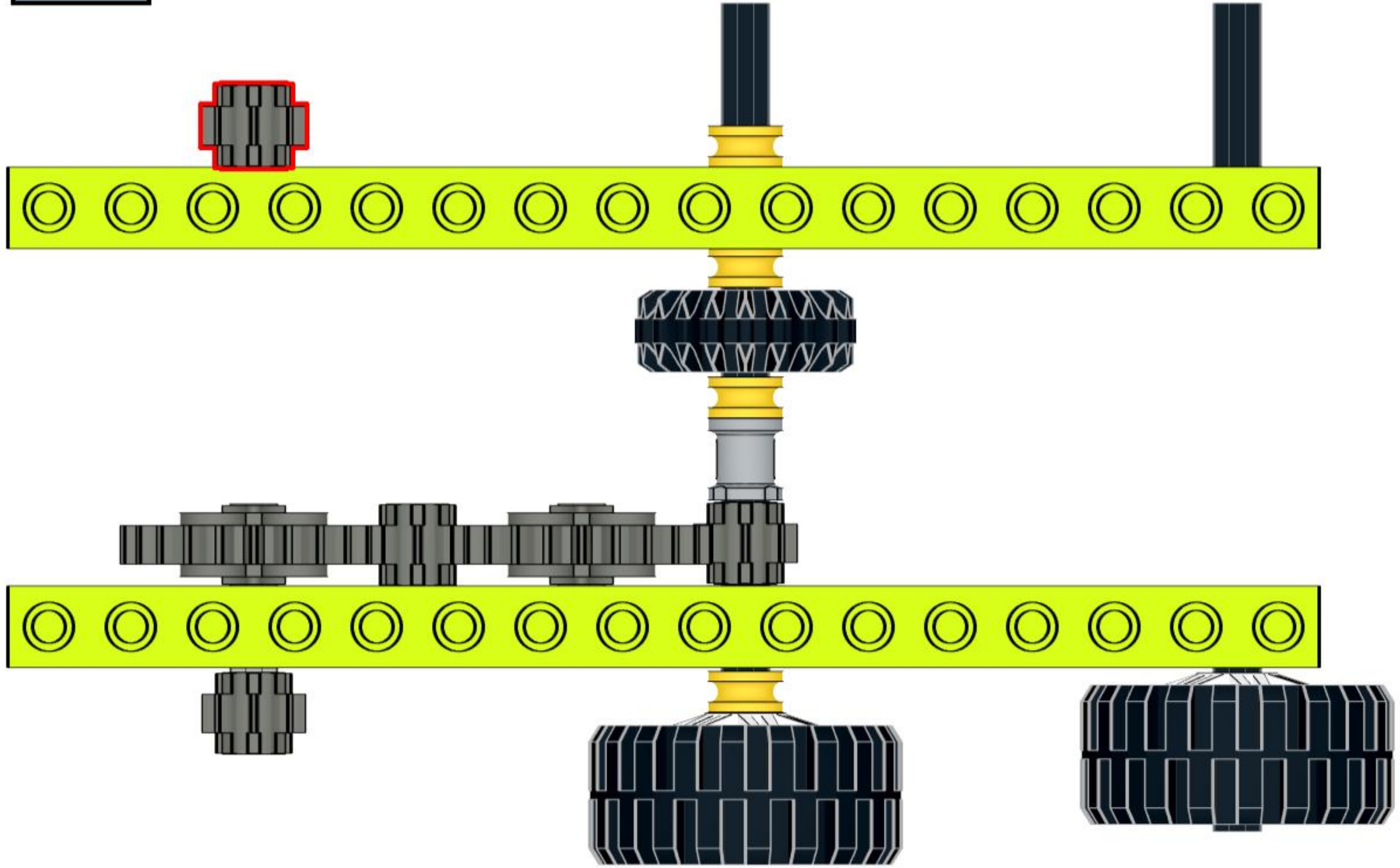
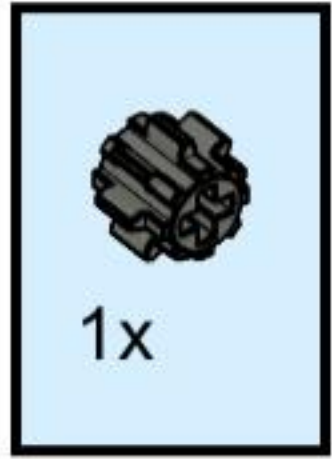
9





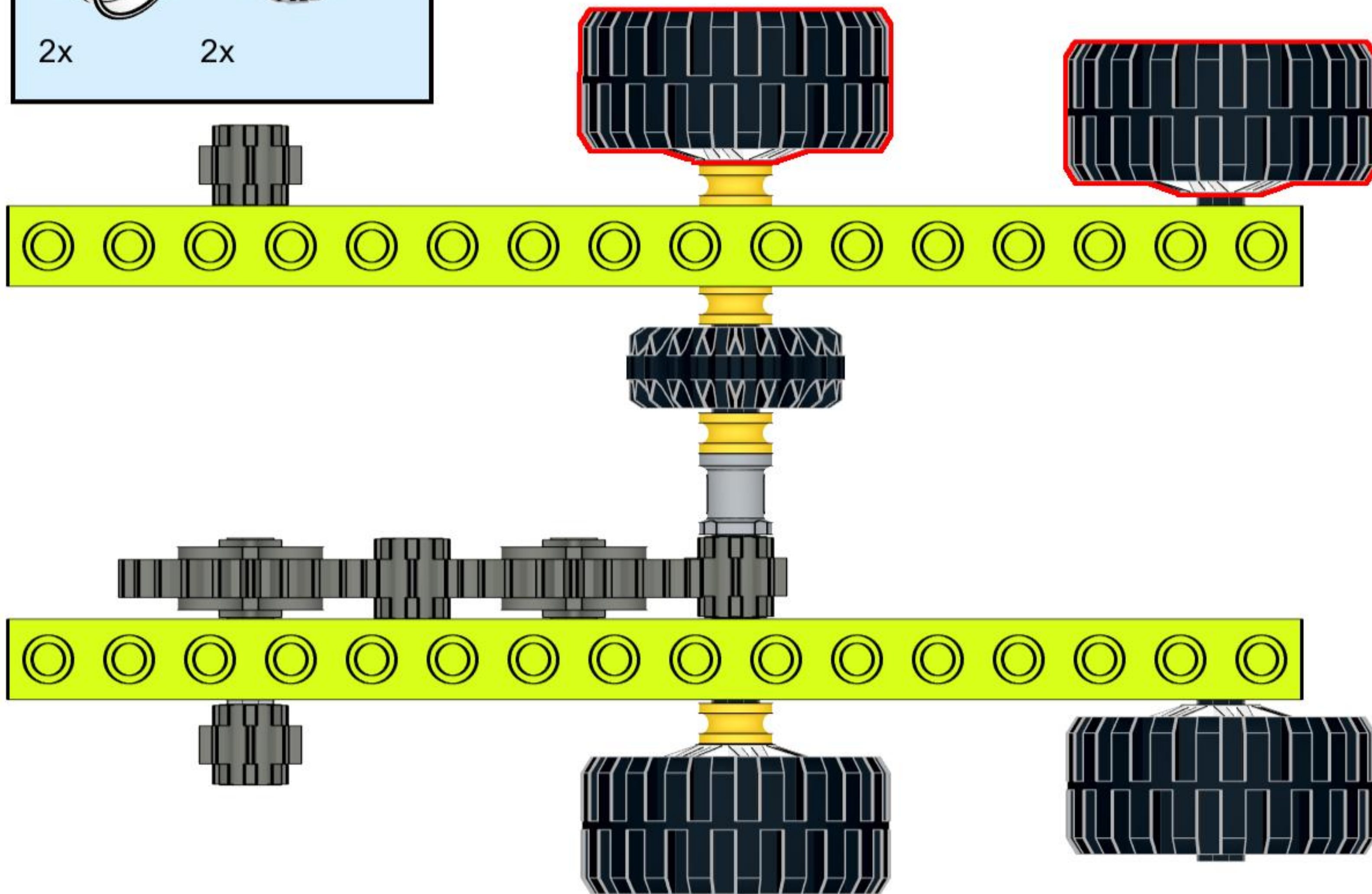
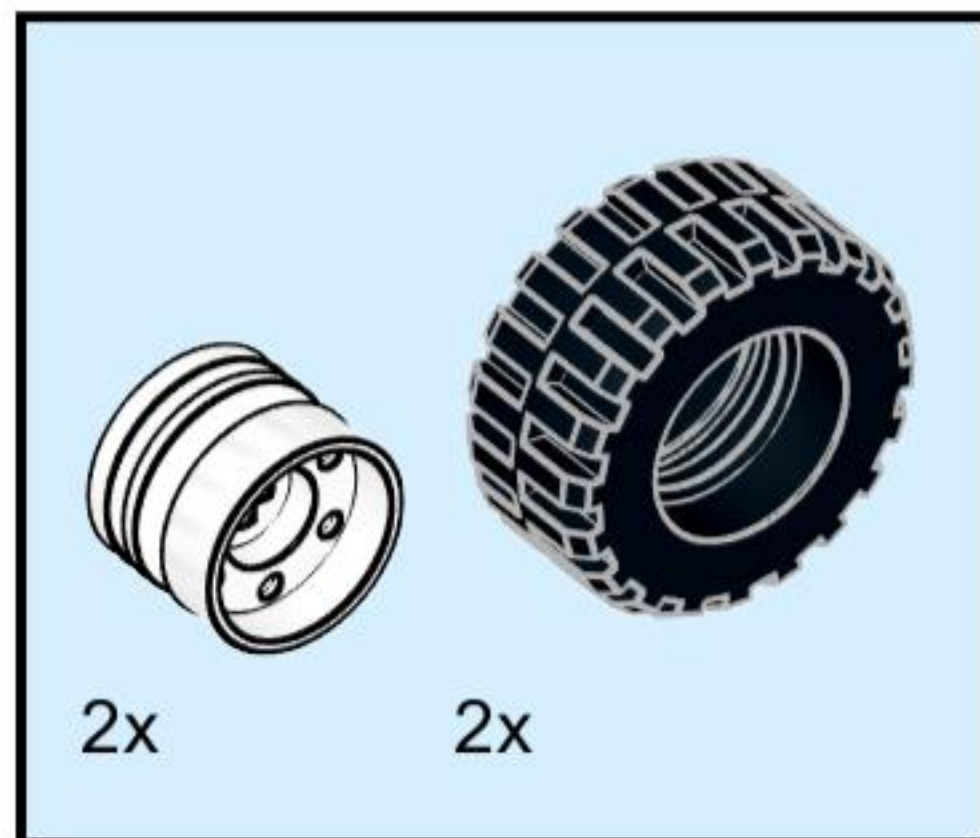


11



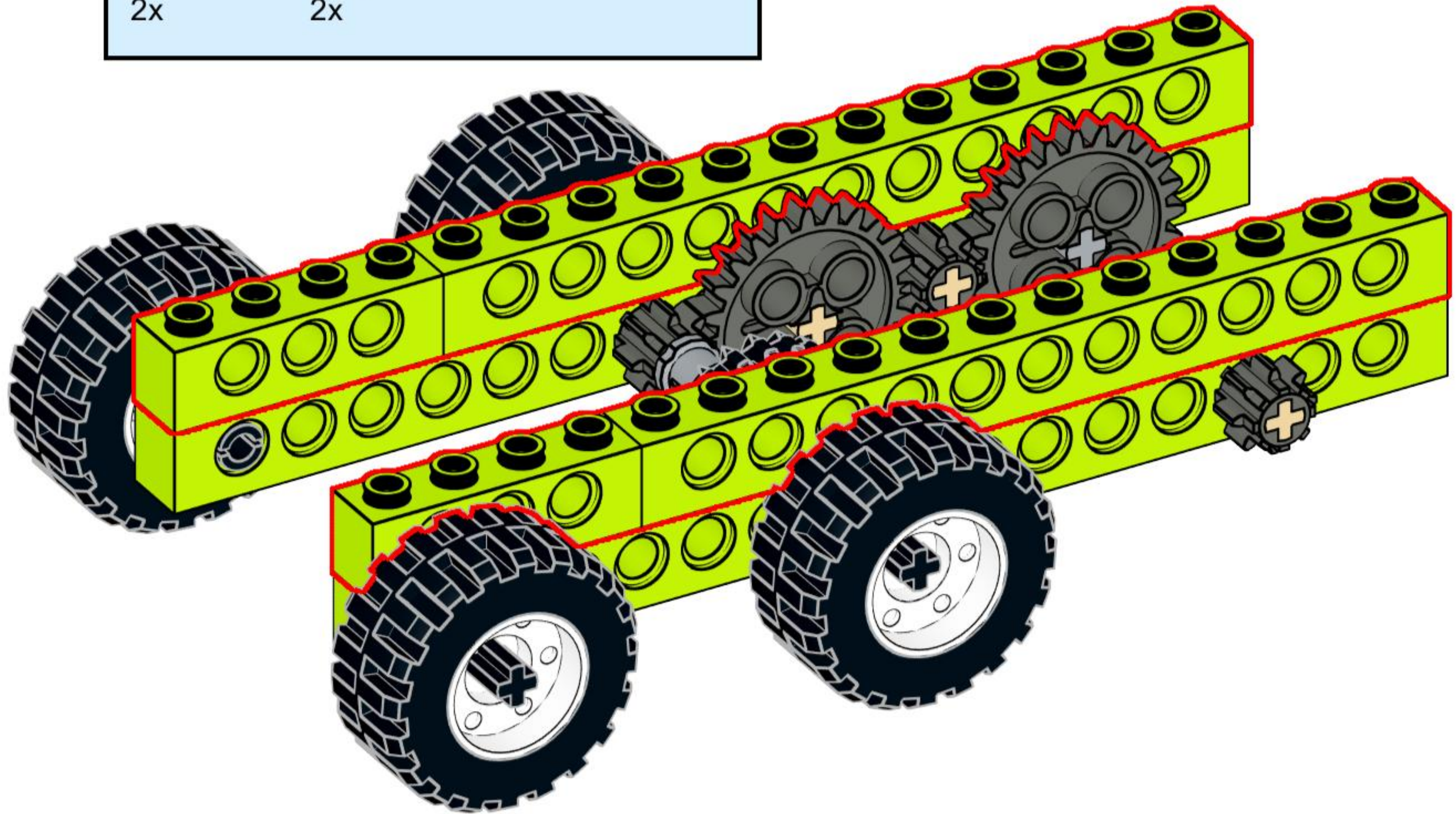
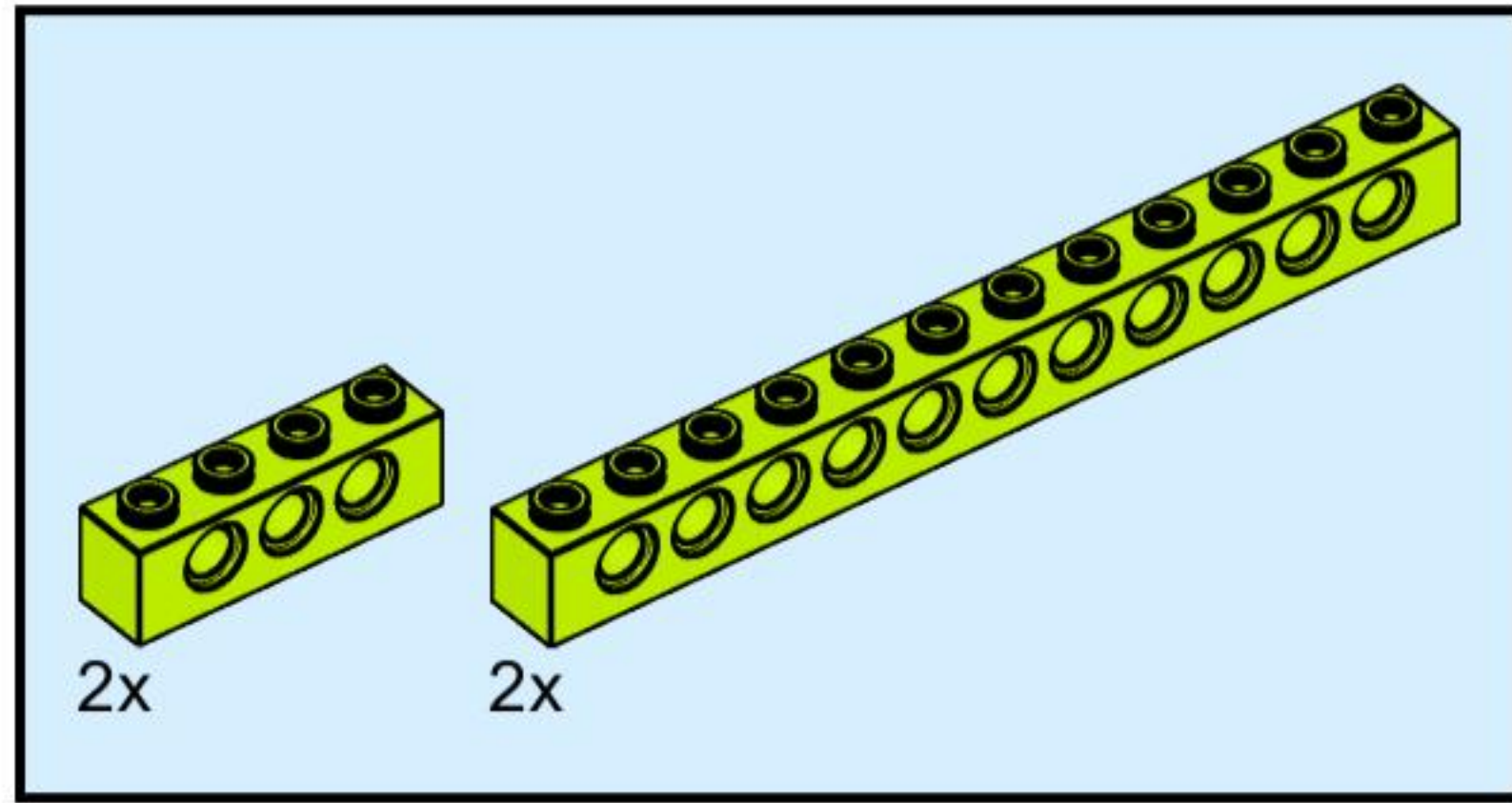


# 12



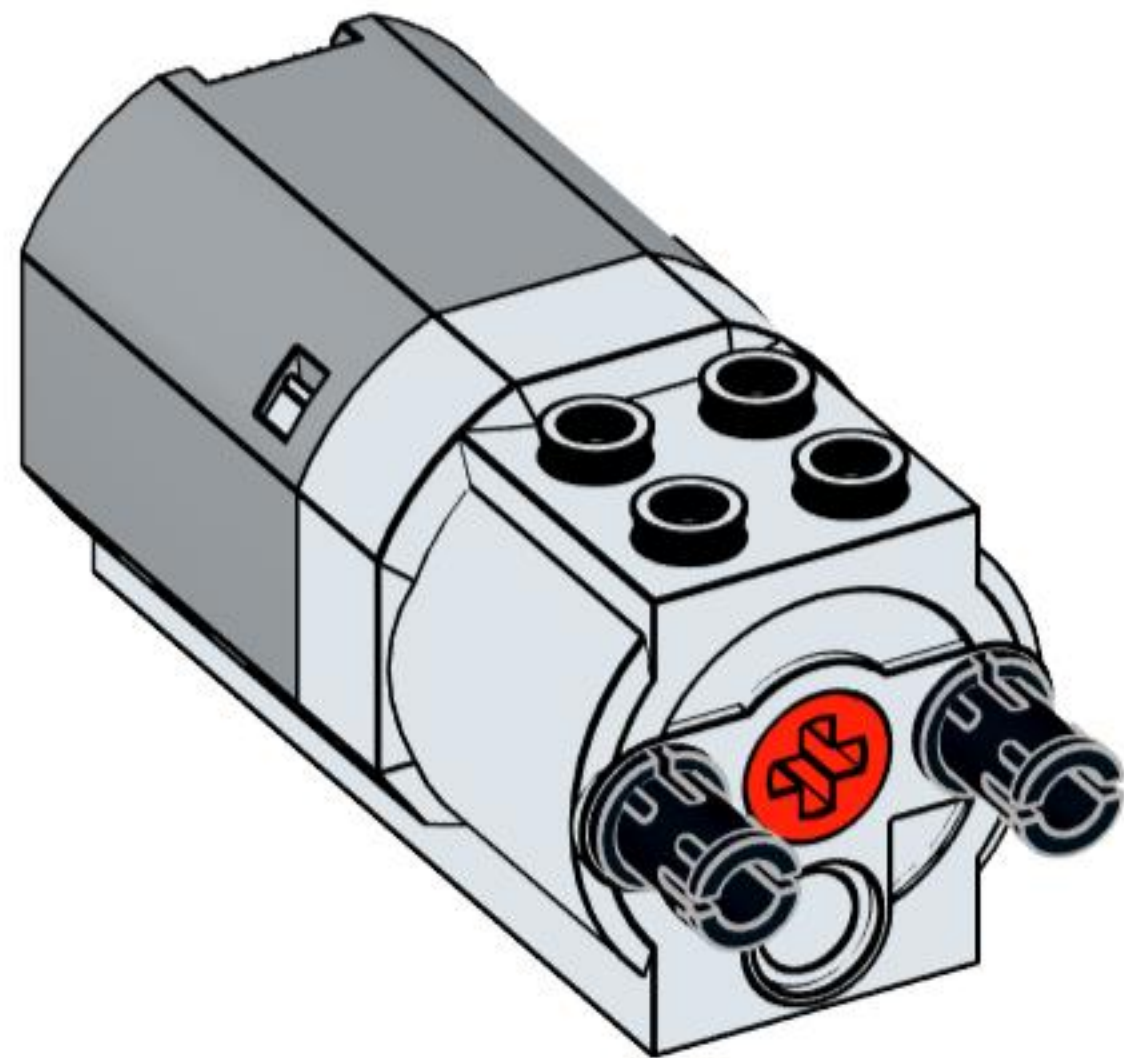
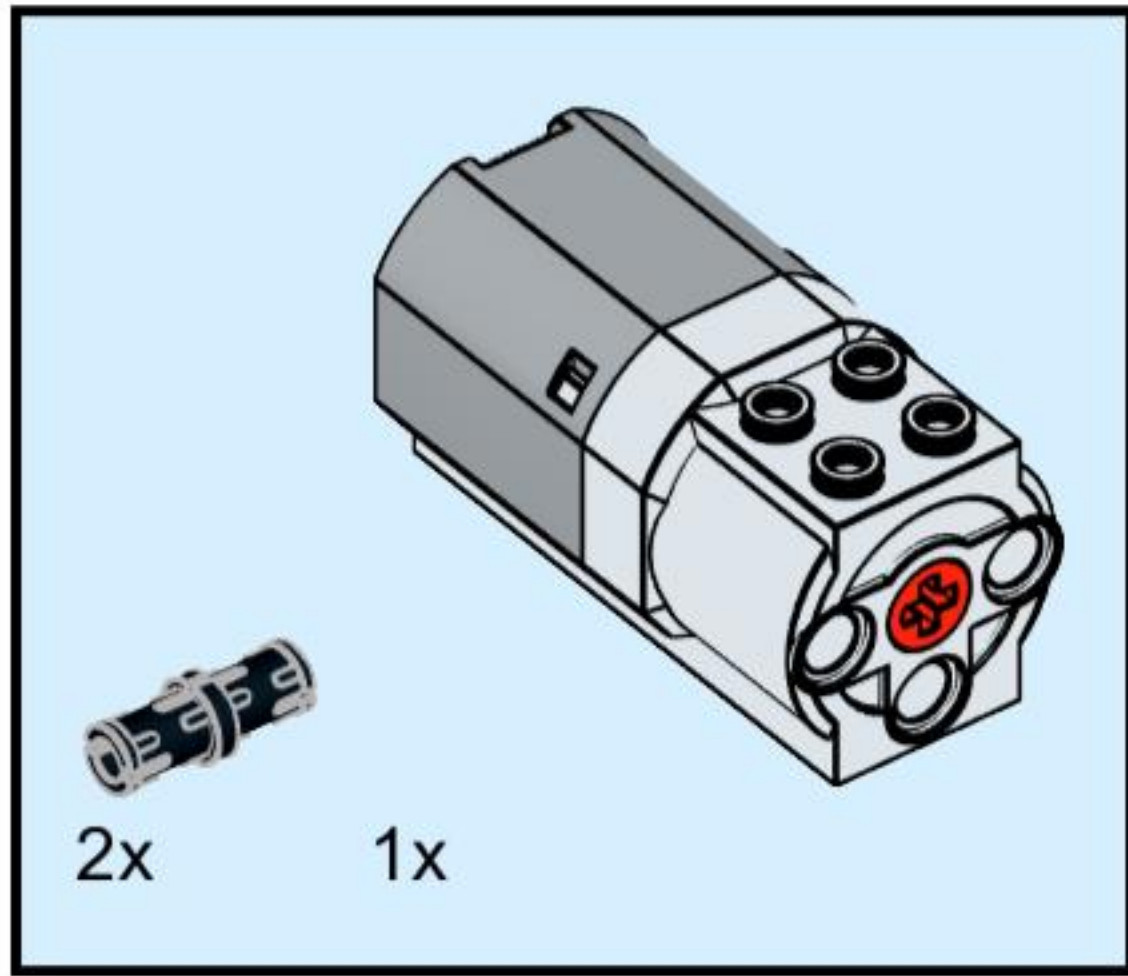


# 13

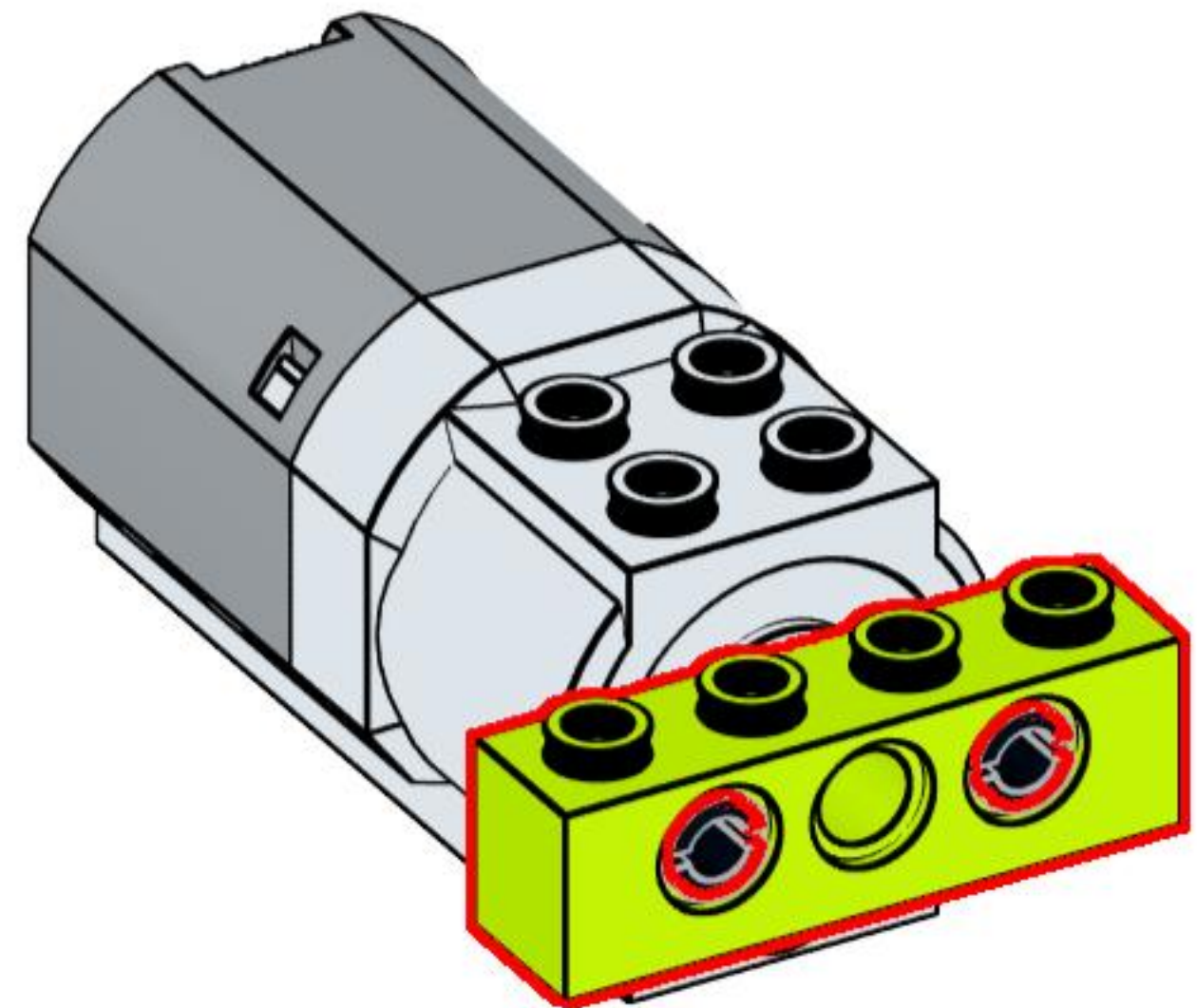
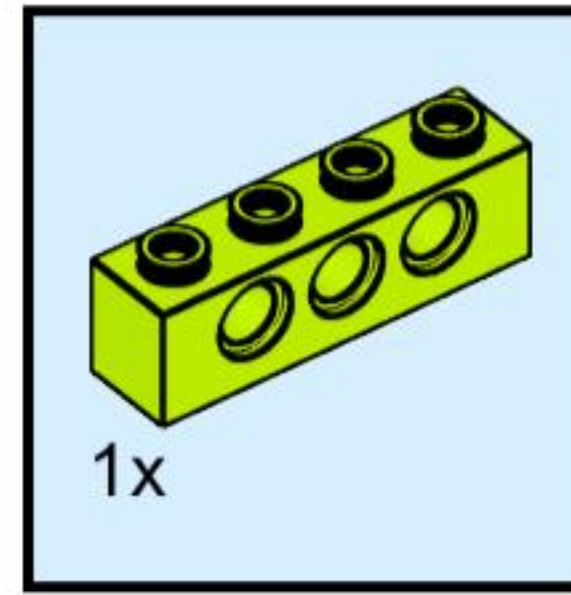




# 14

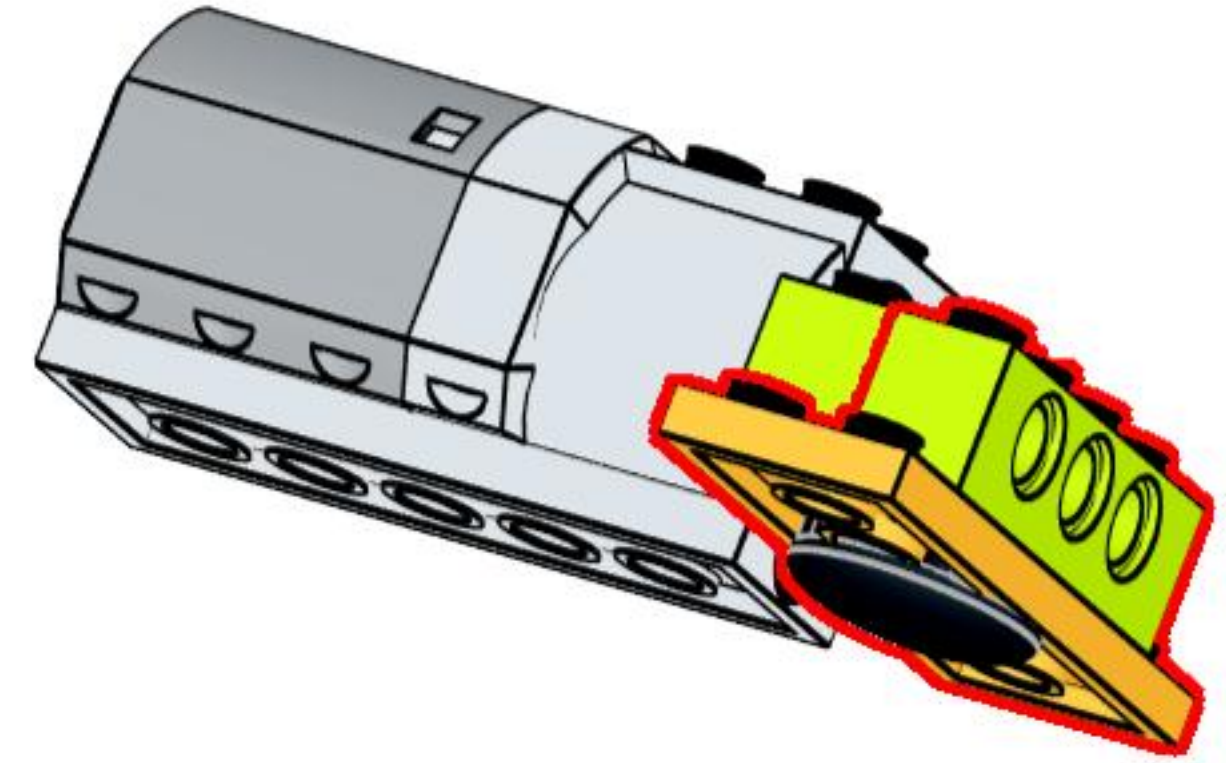
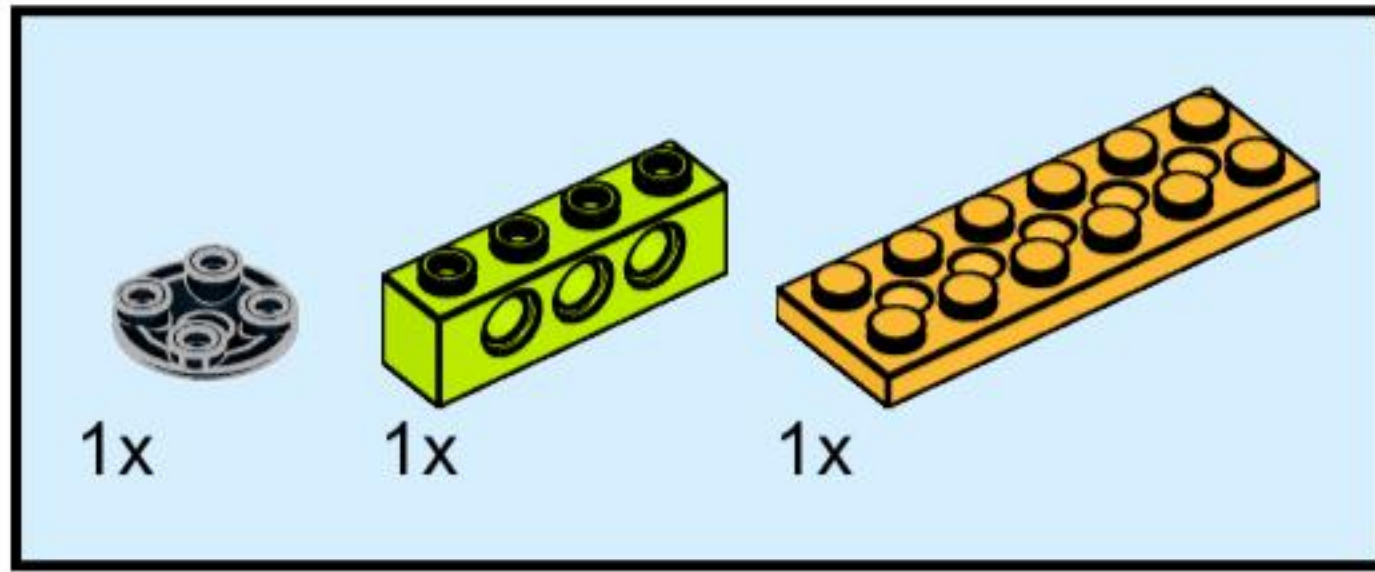


# 15

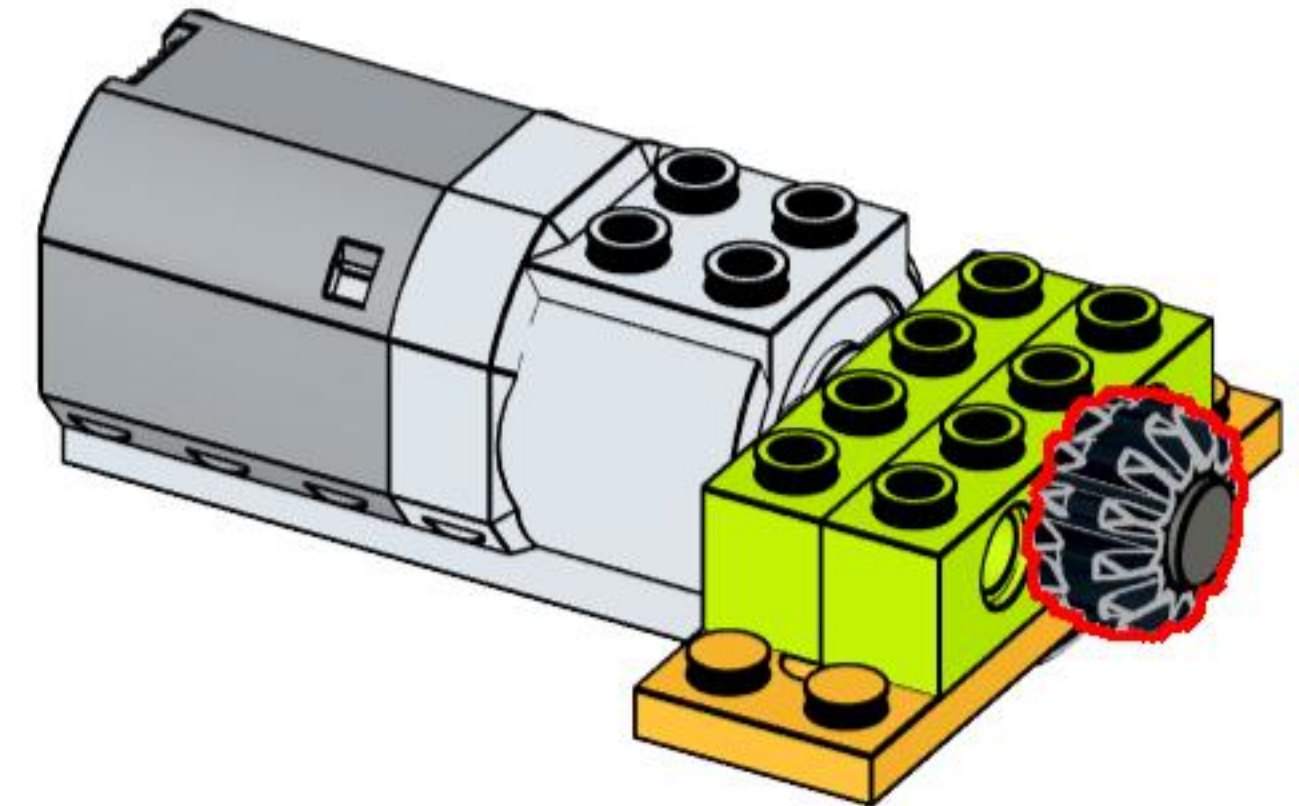
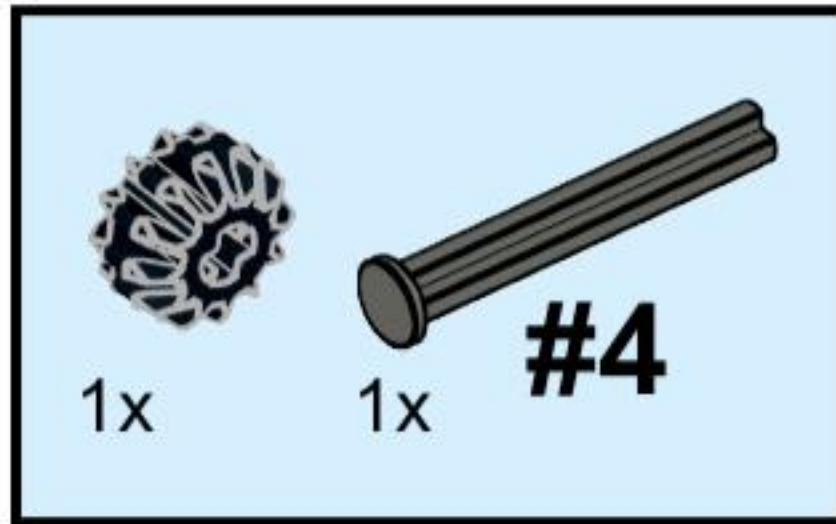




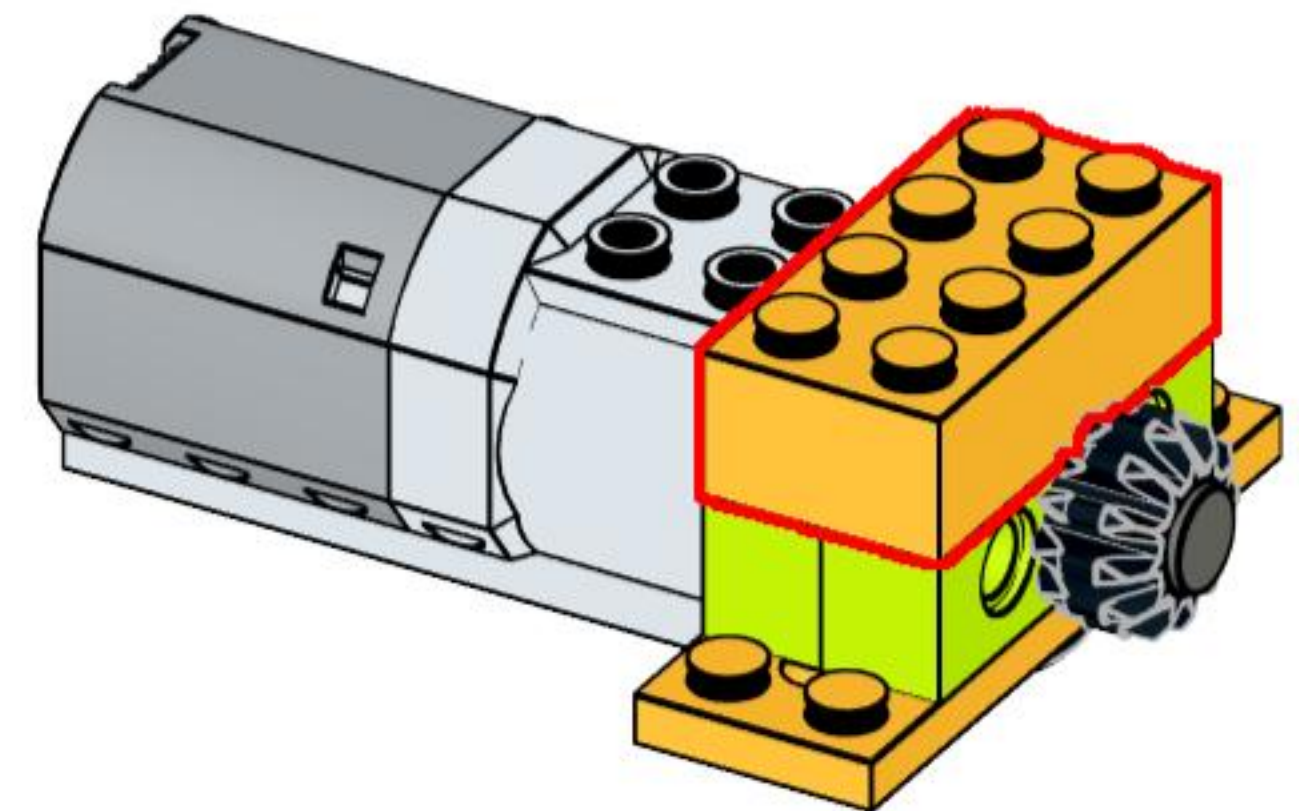
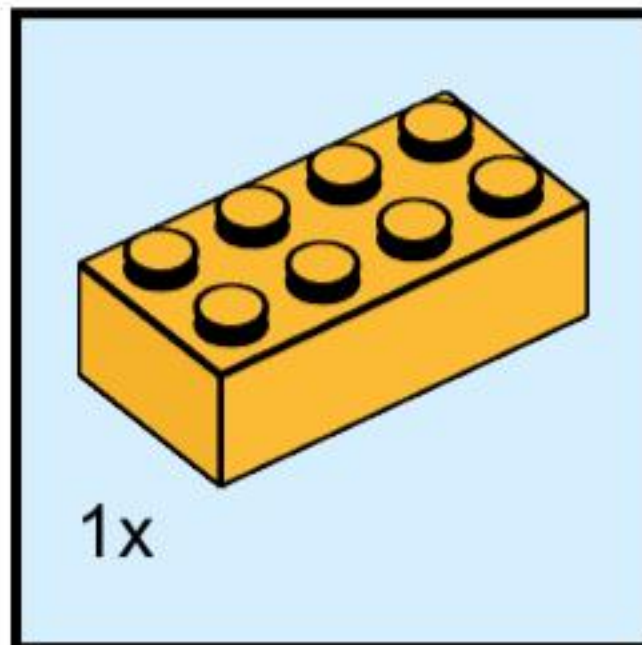
# 16



# 17



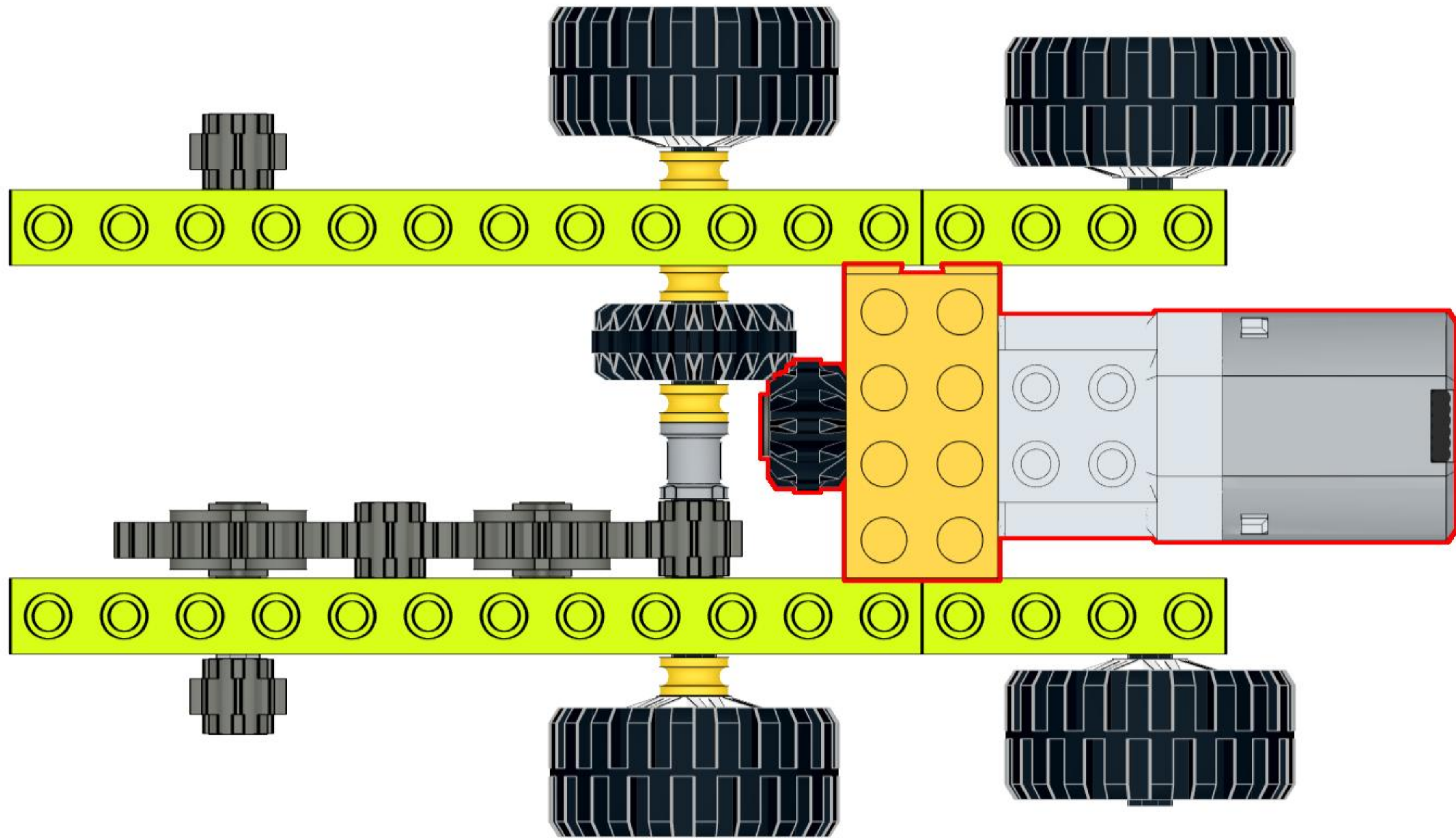
# 18





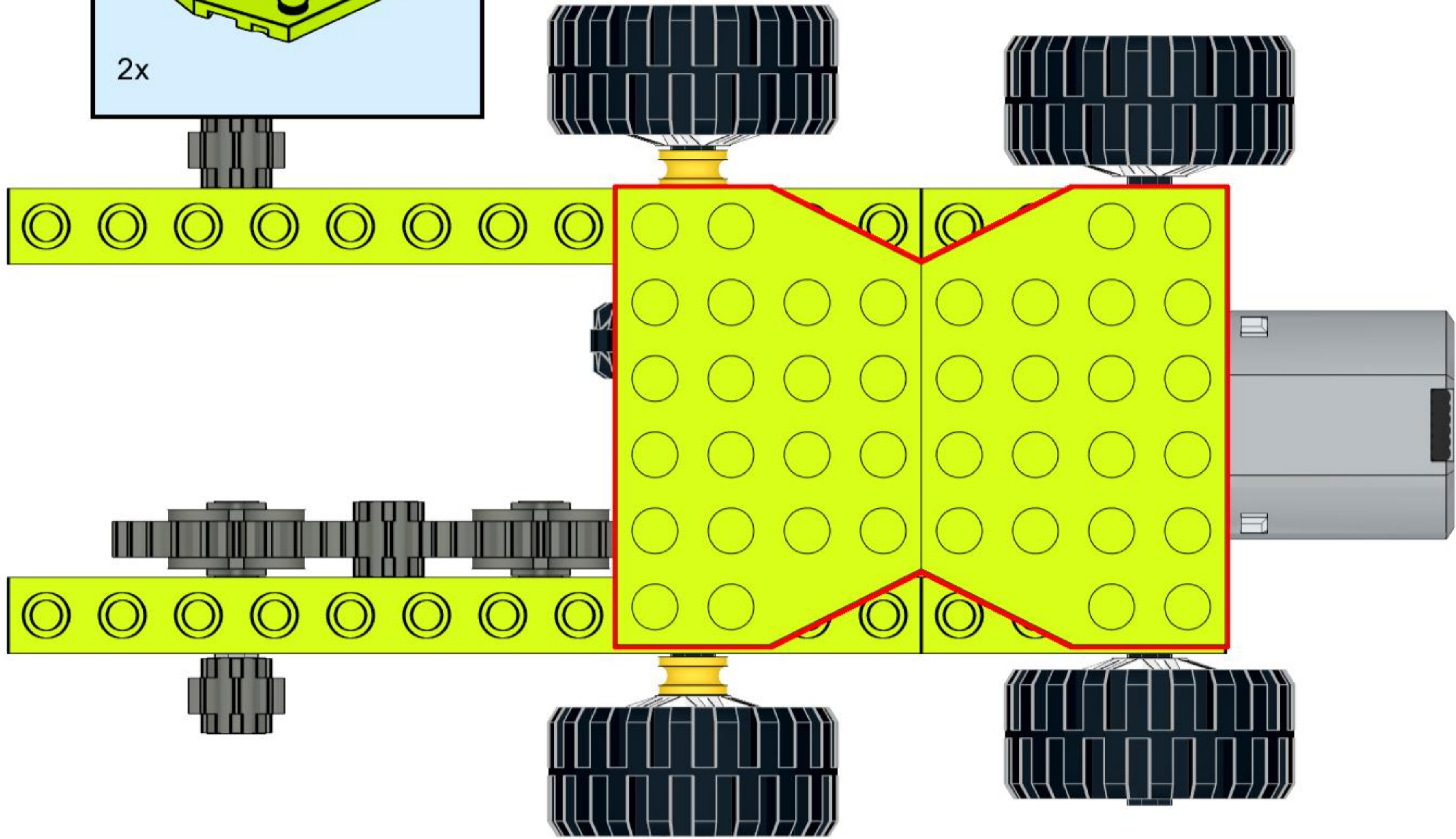
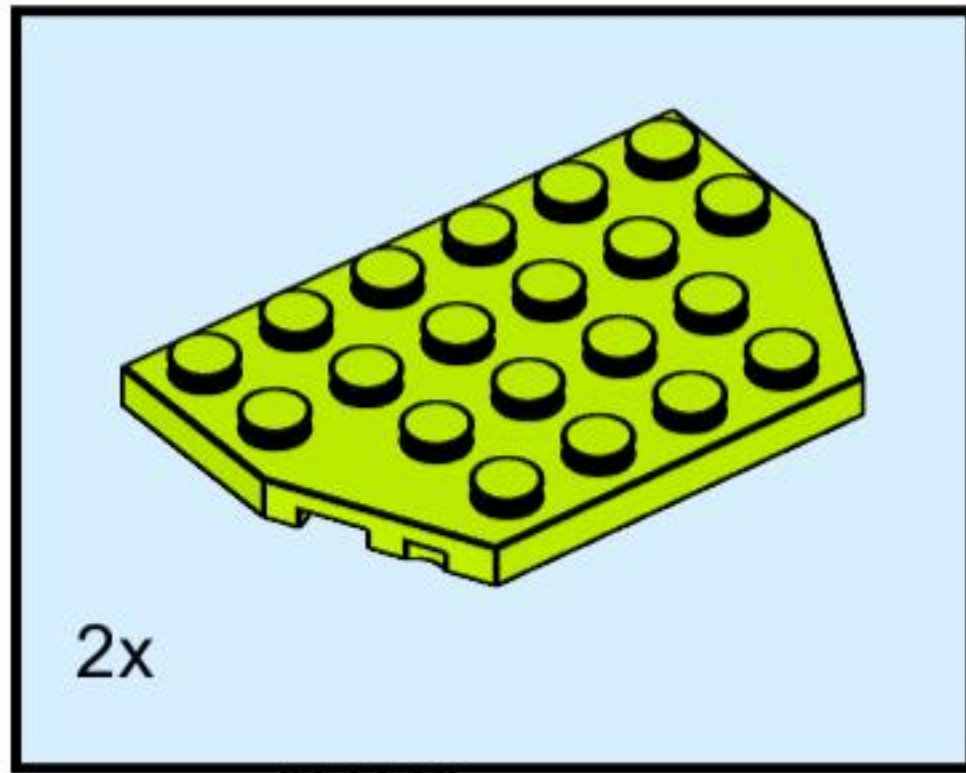
# 19

## Gears should mesh



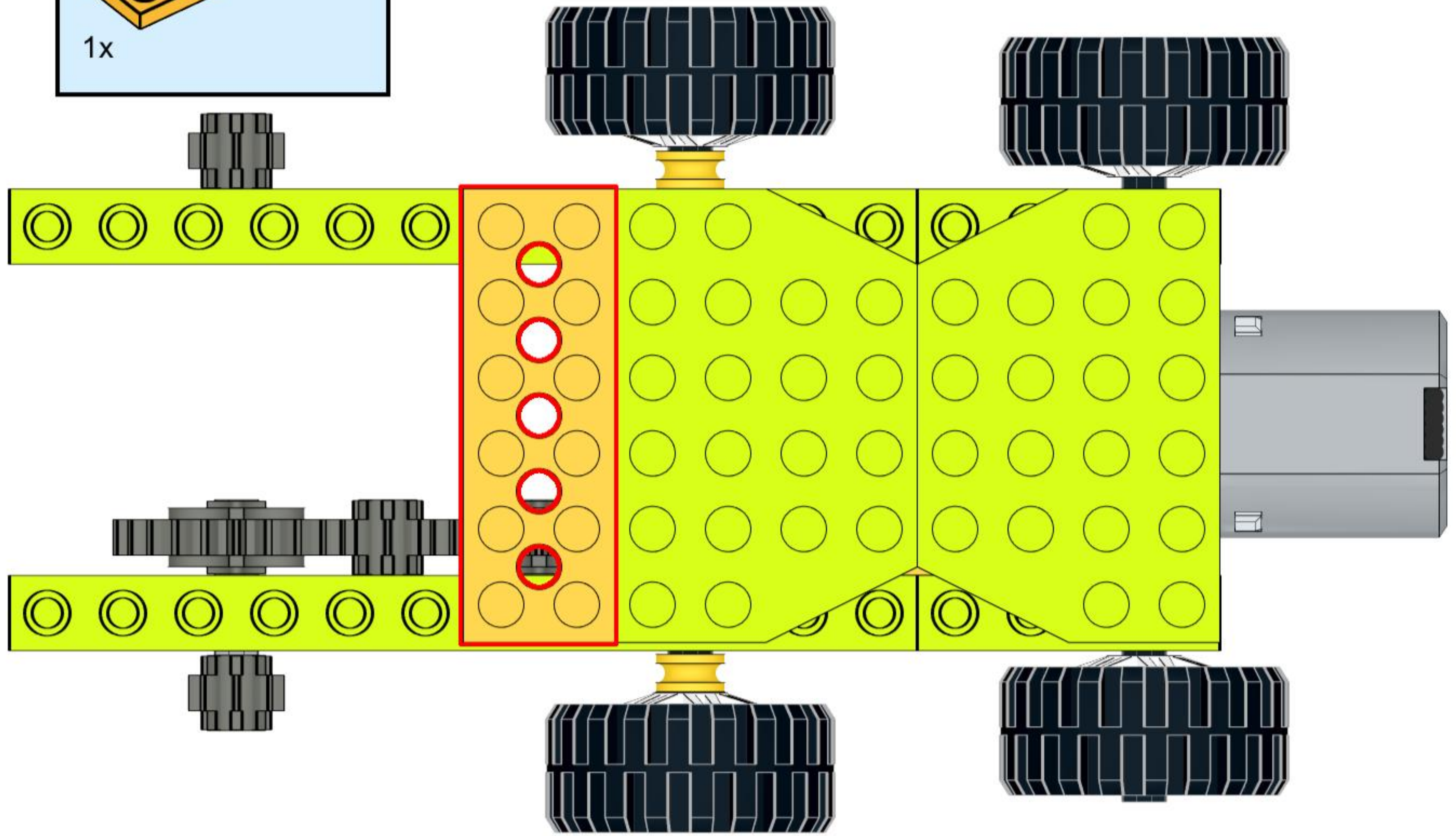
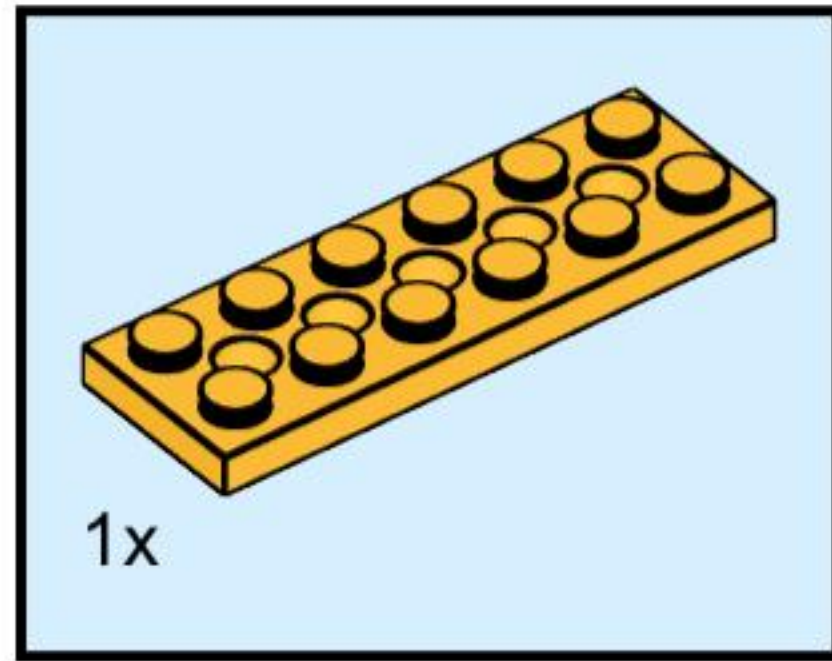


# 20

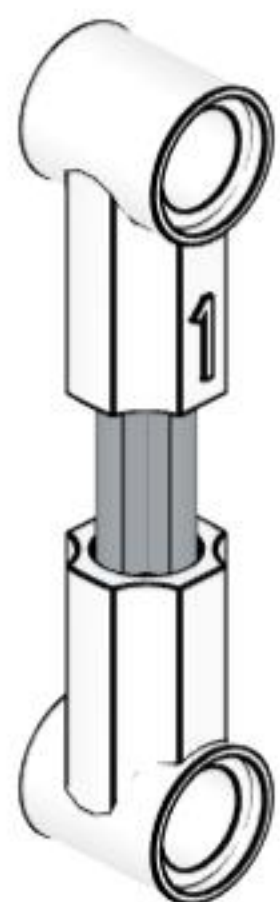
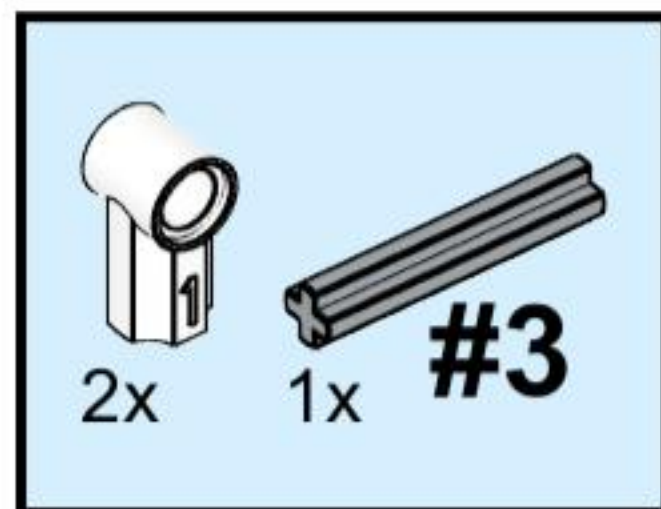




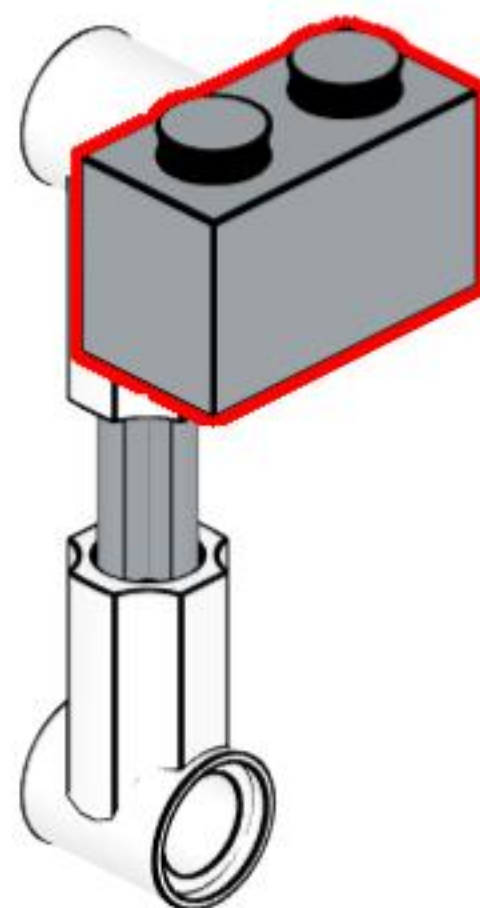
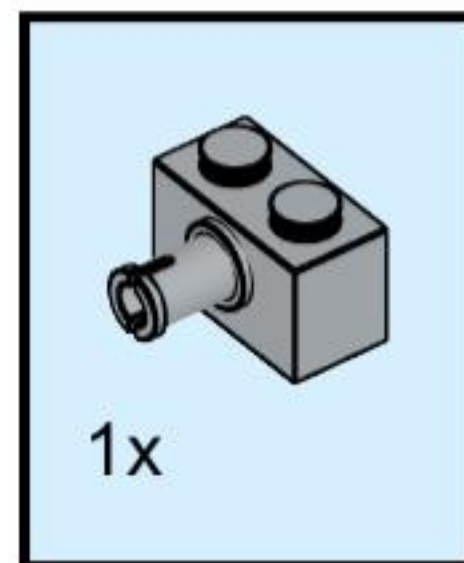
# 21



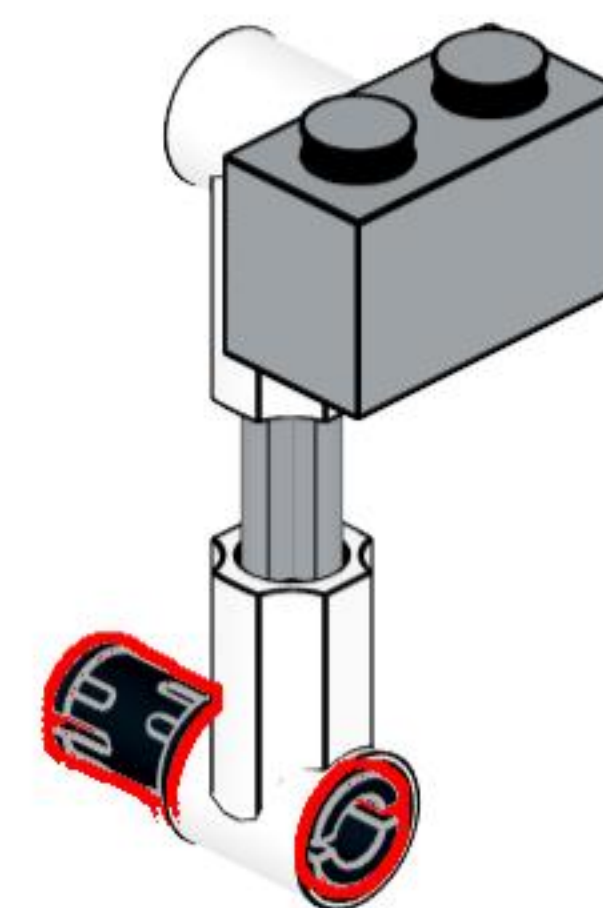
# 22



# 23

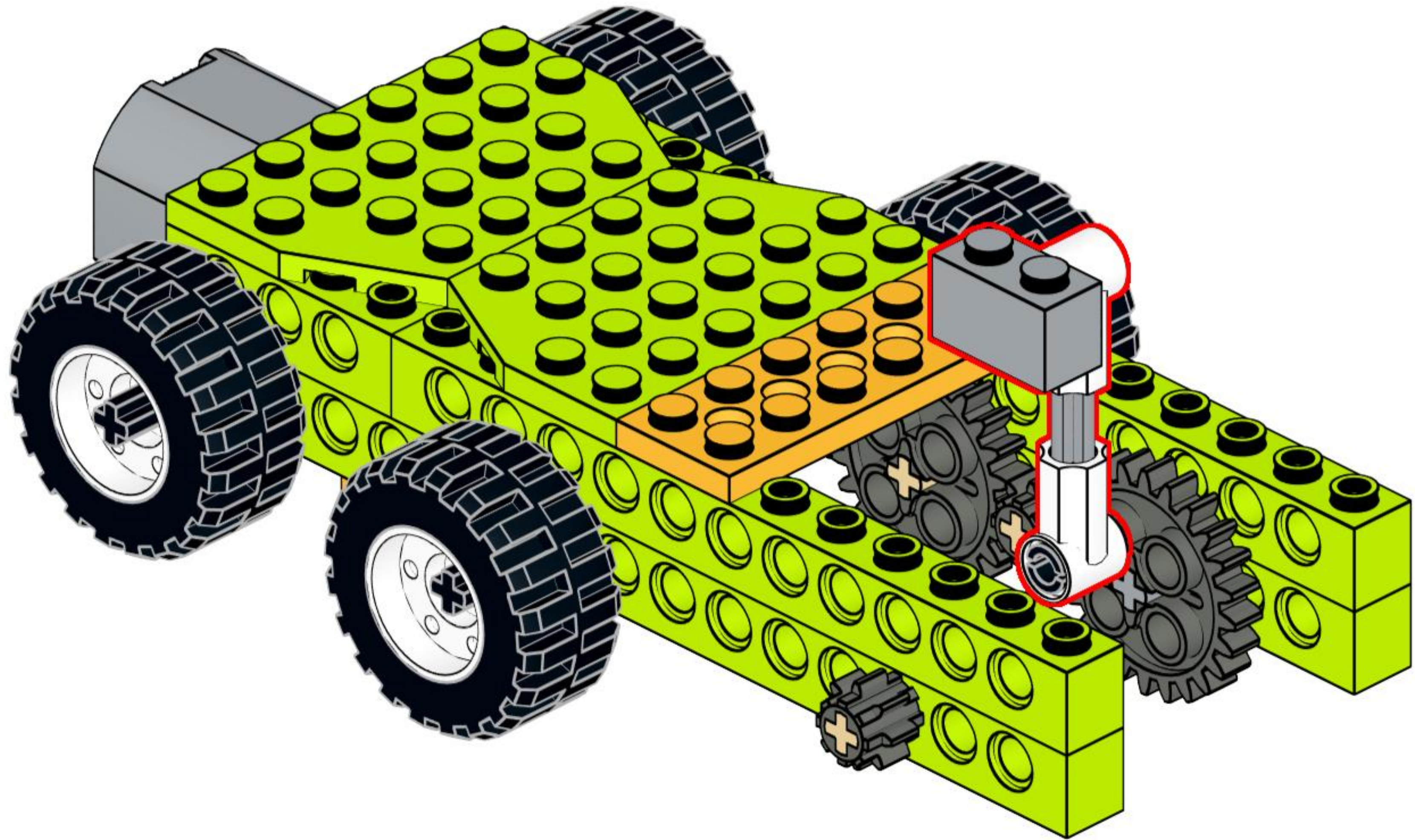


# 24



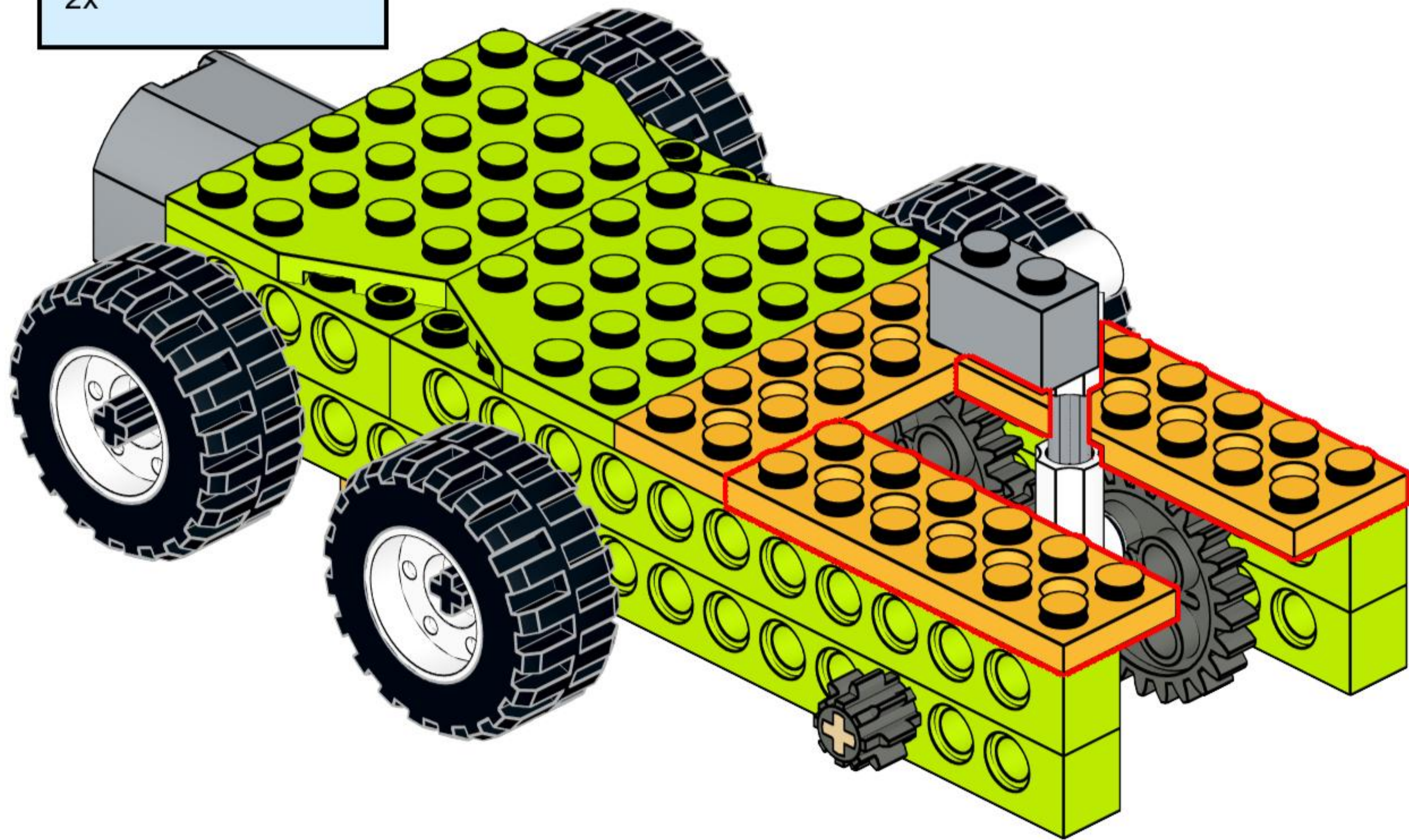
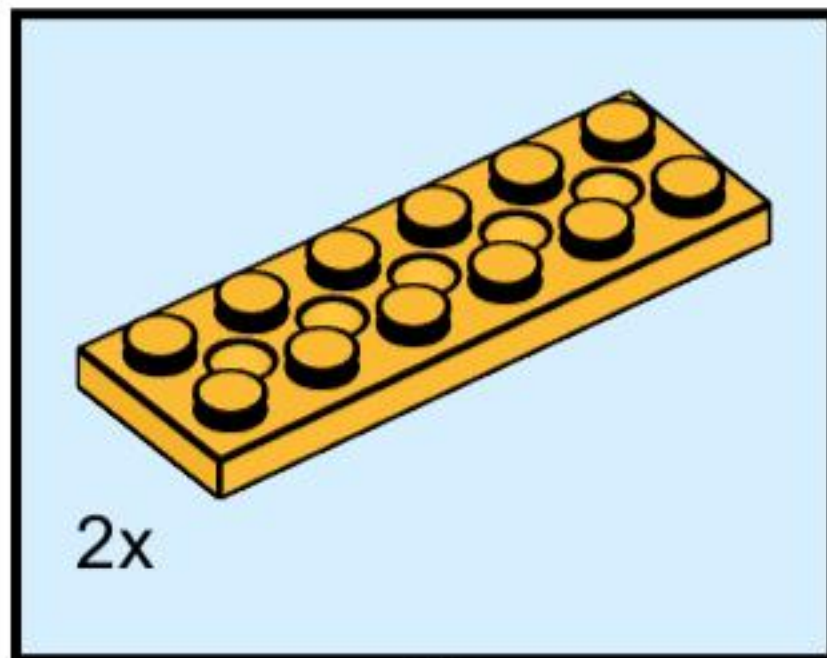


# 25



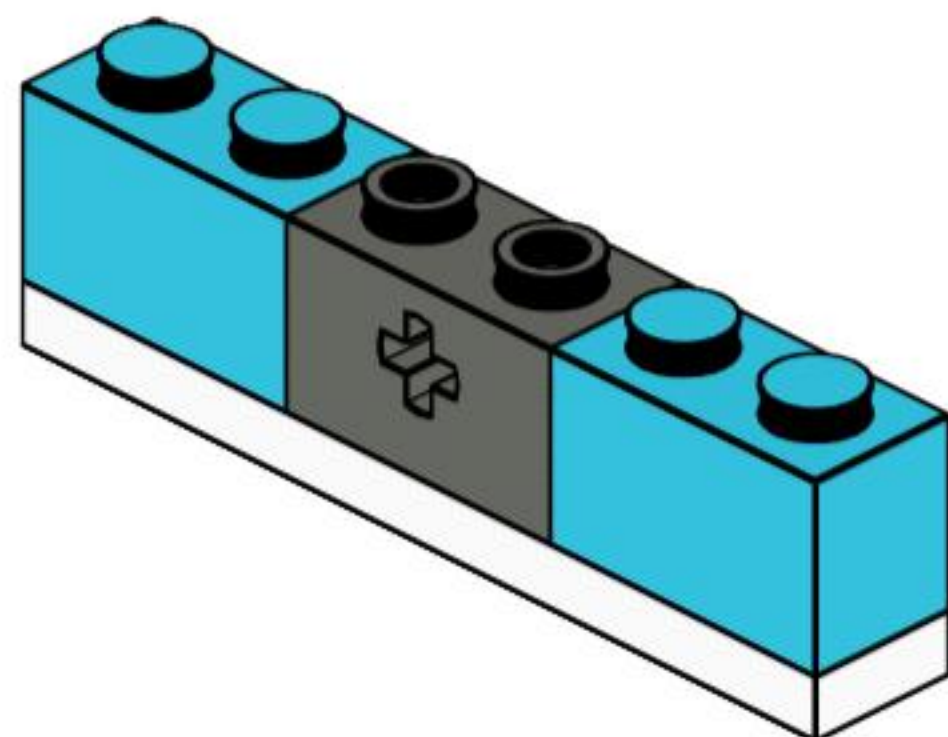
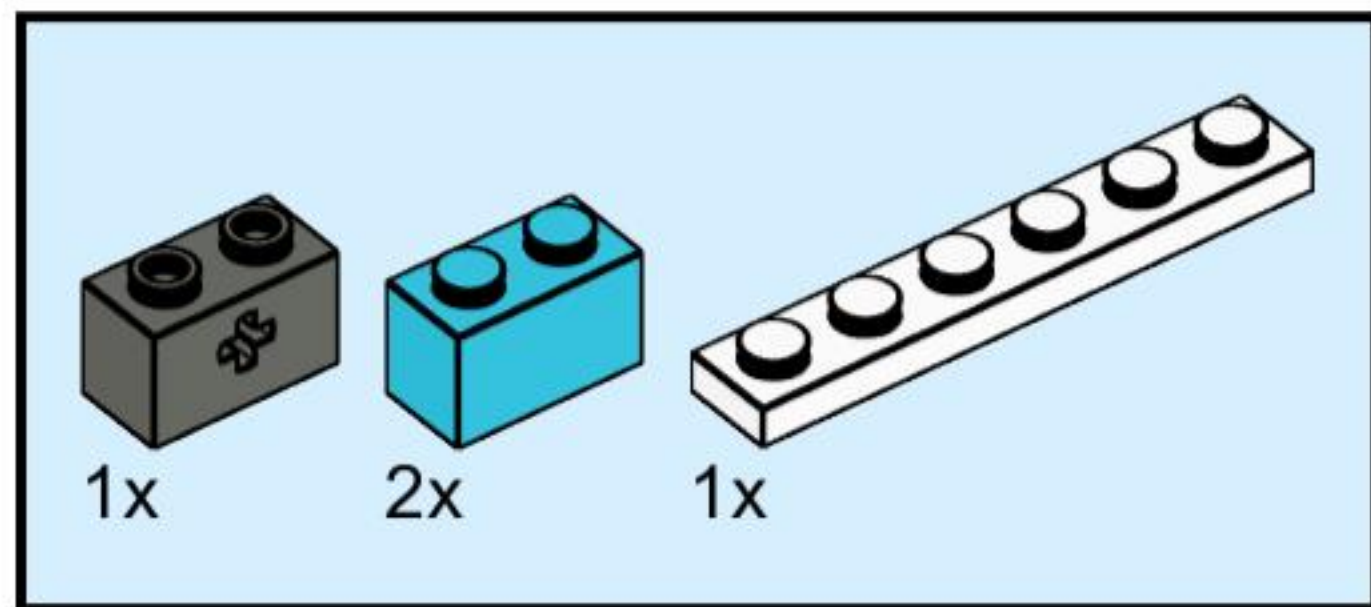


# 26

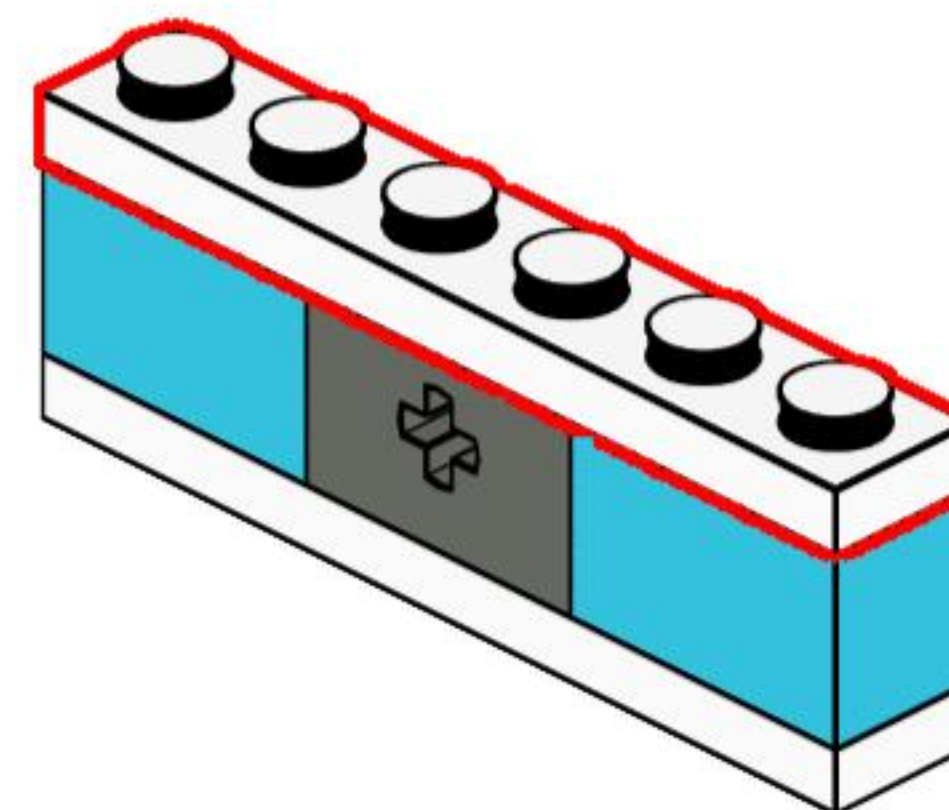
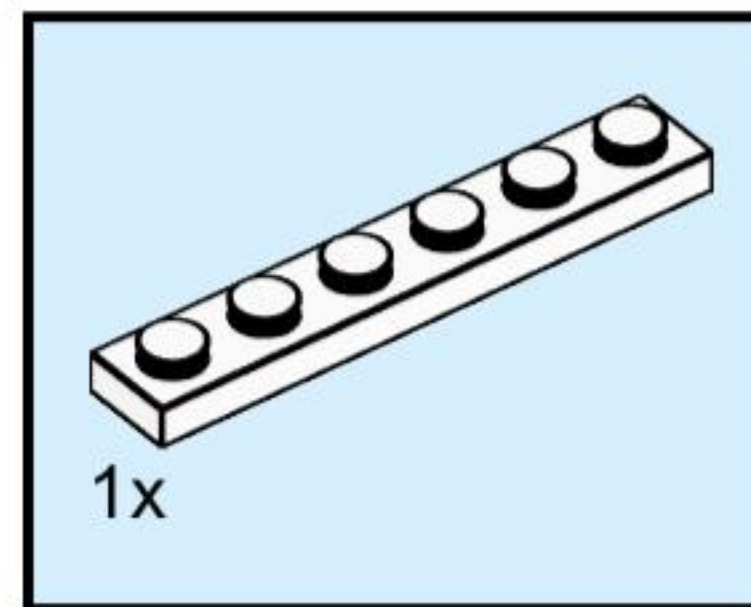




# 27



# 28

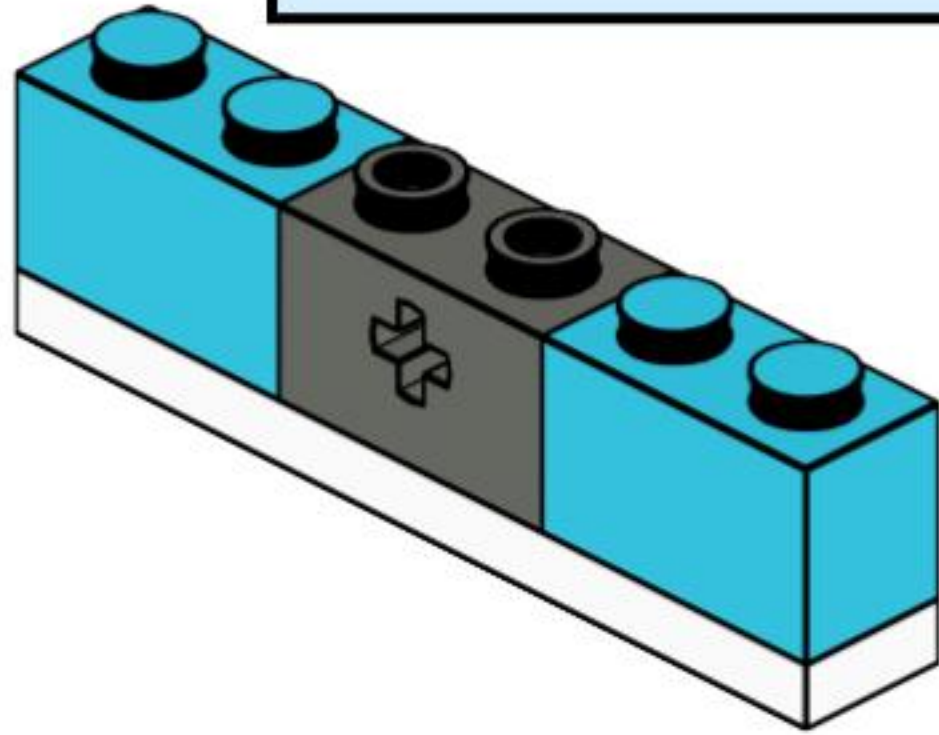
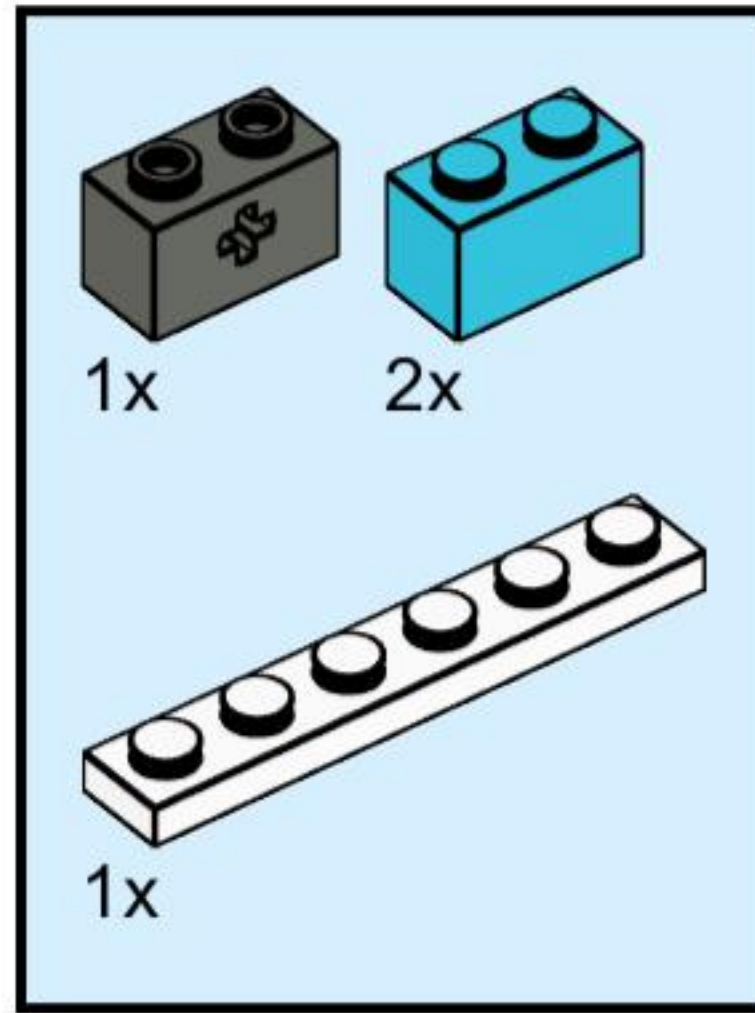




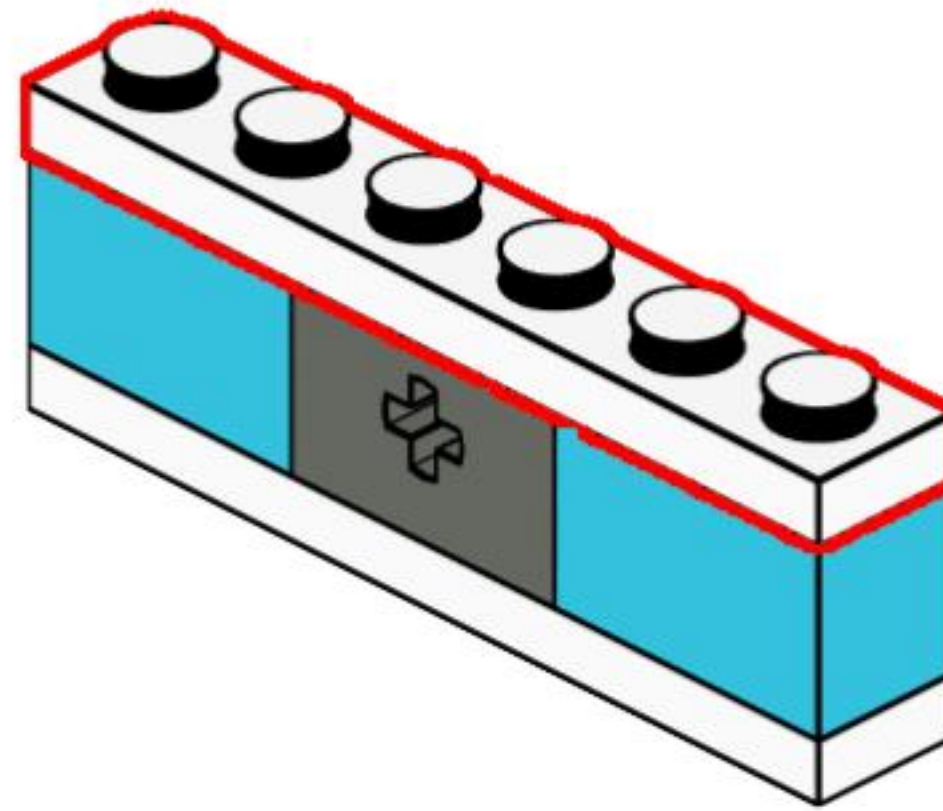
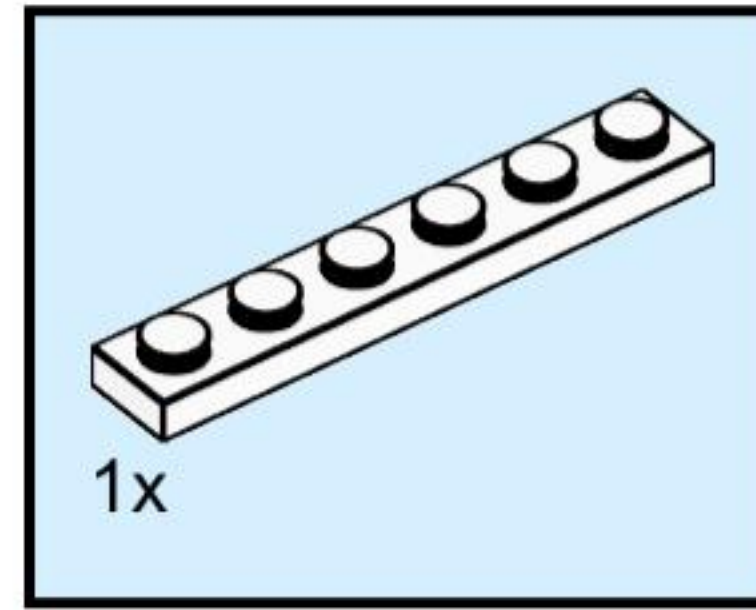




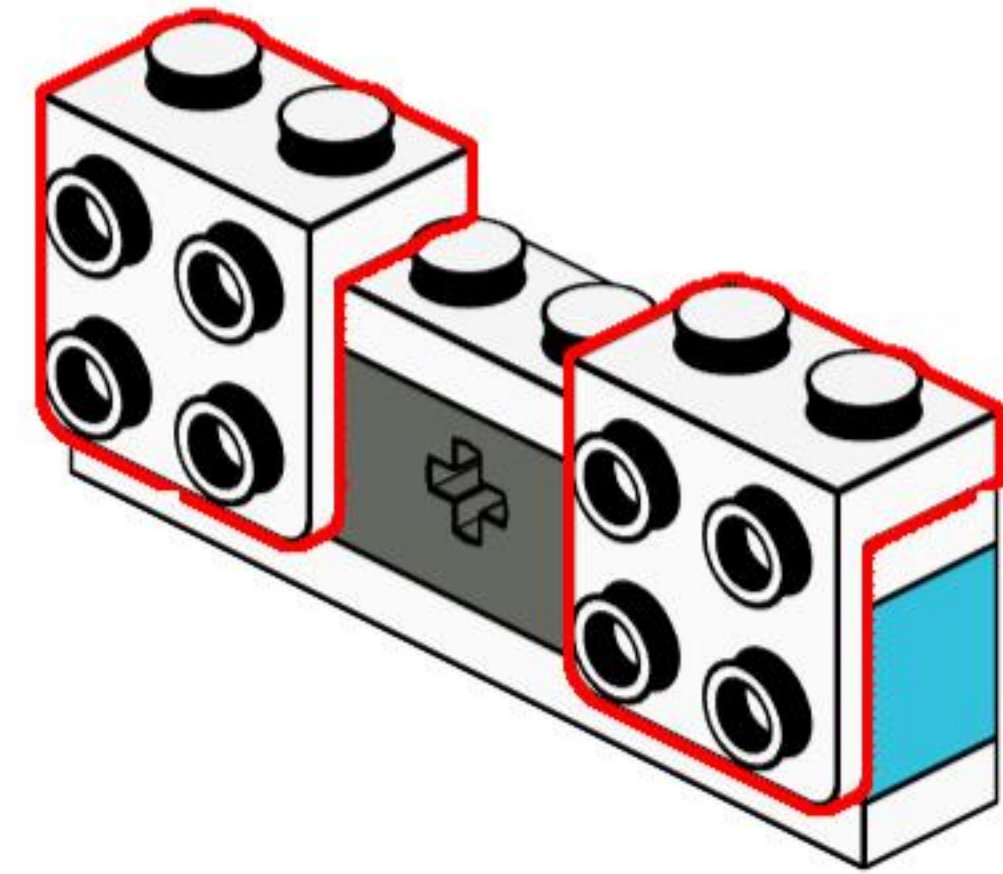
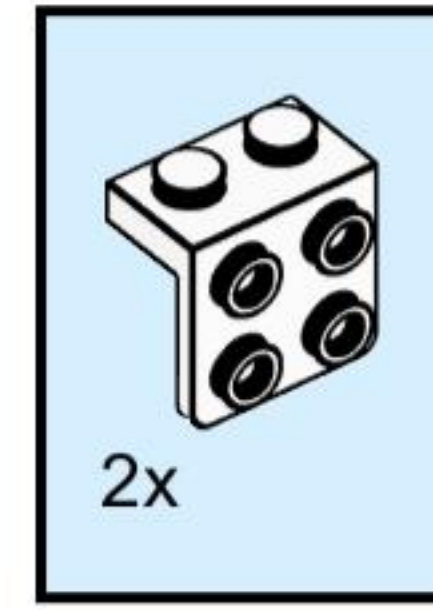
# 30



# 31

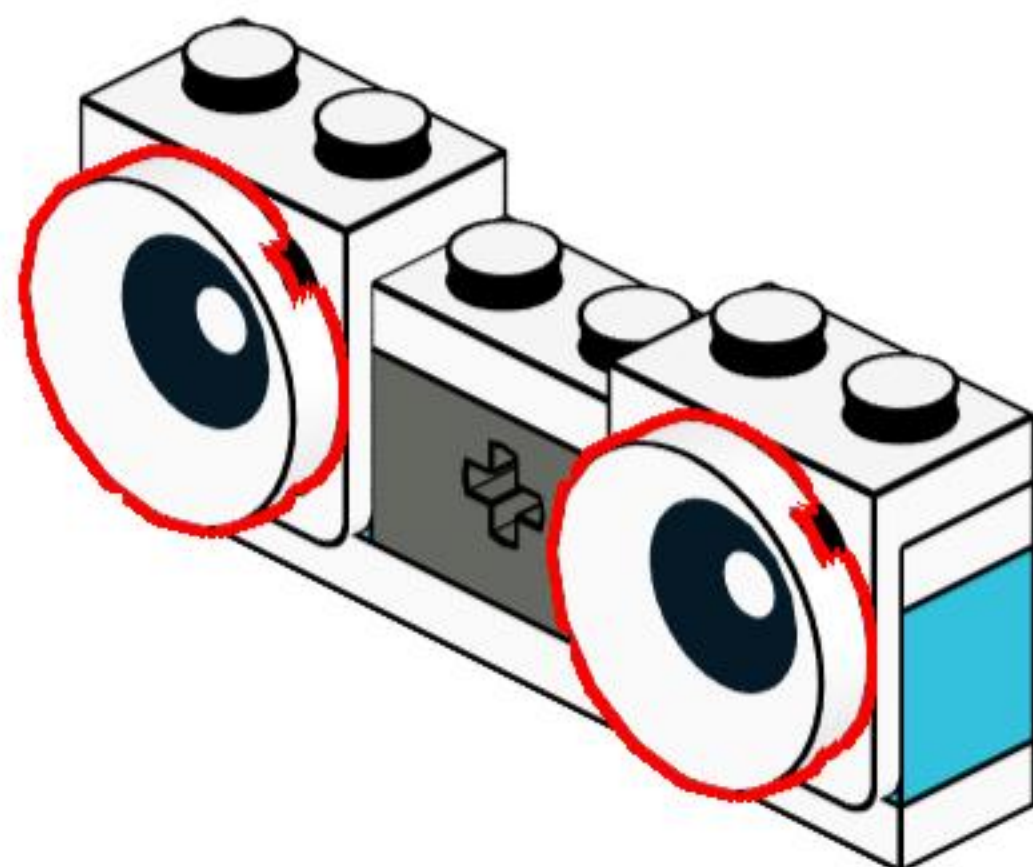
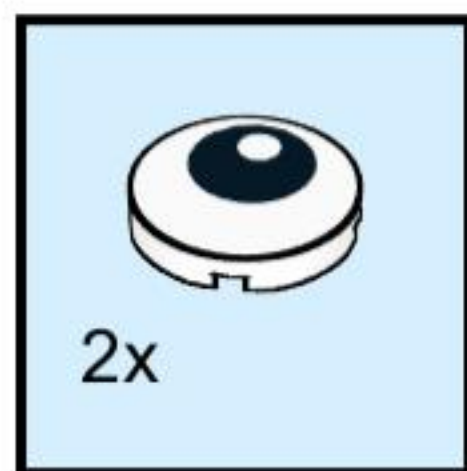


# 32

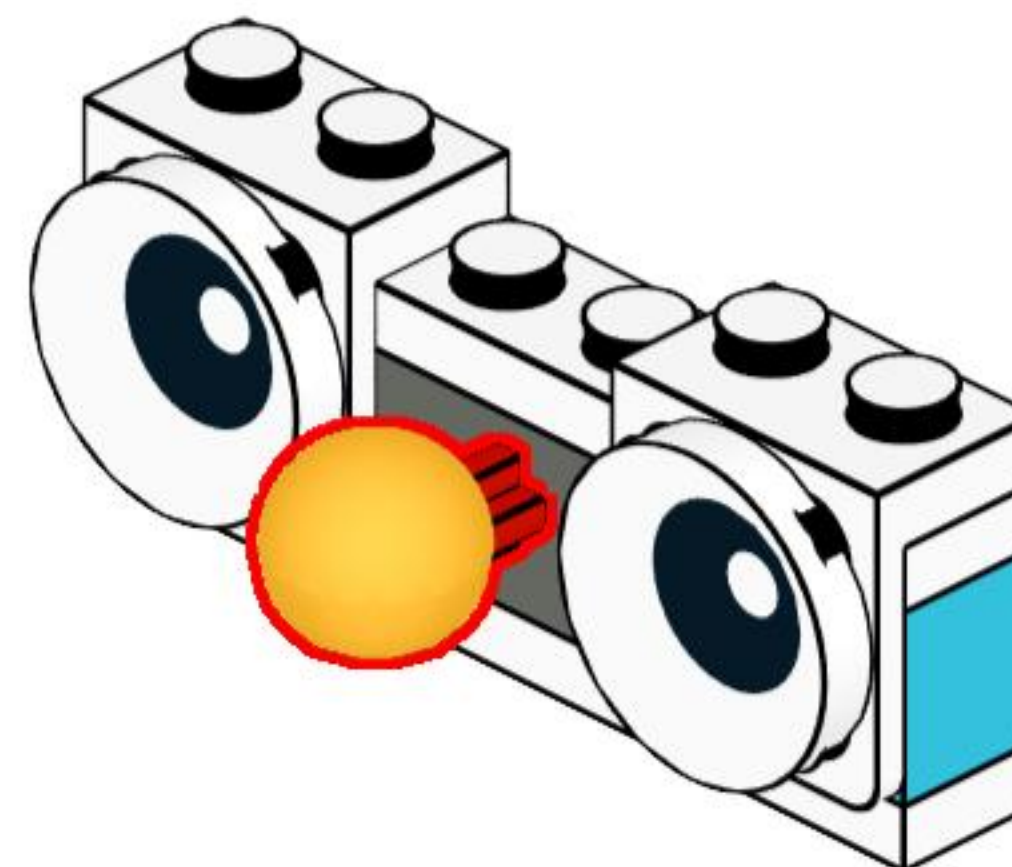
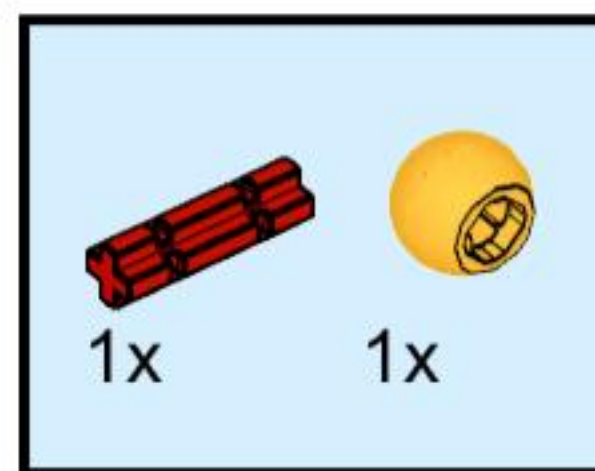




# 33

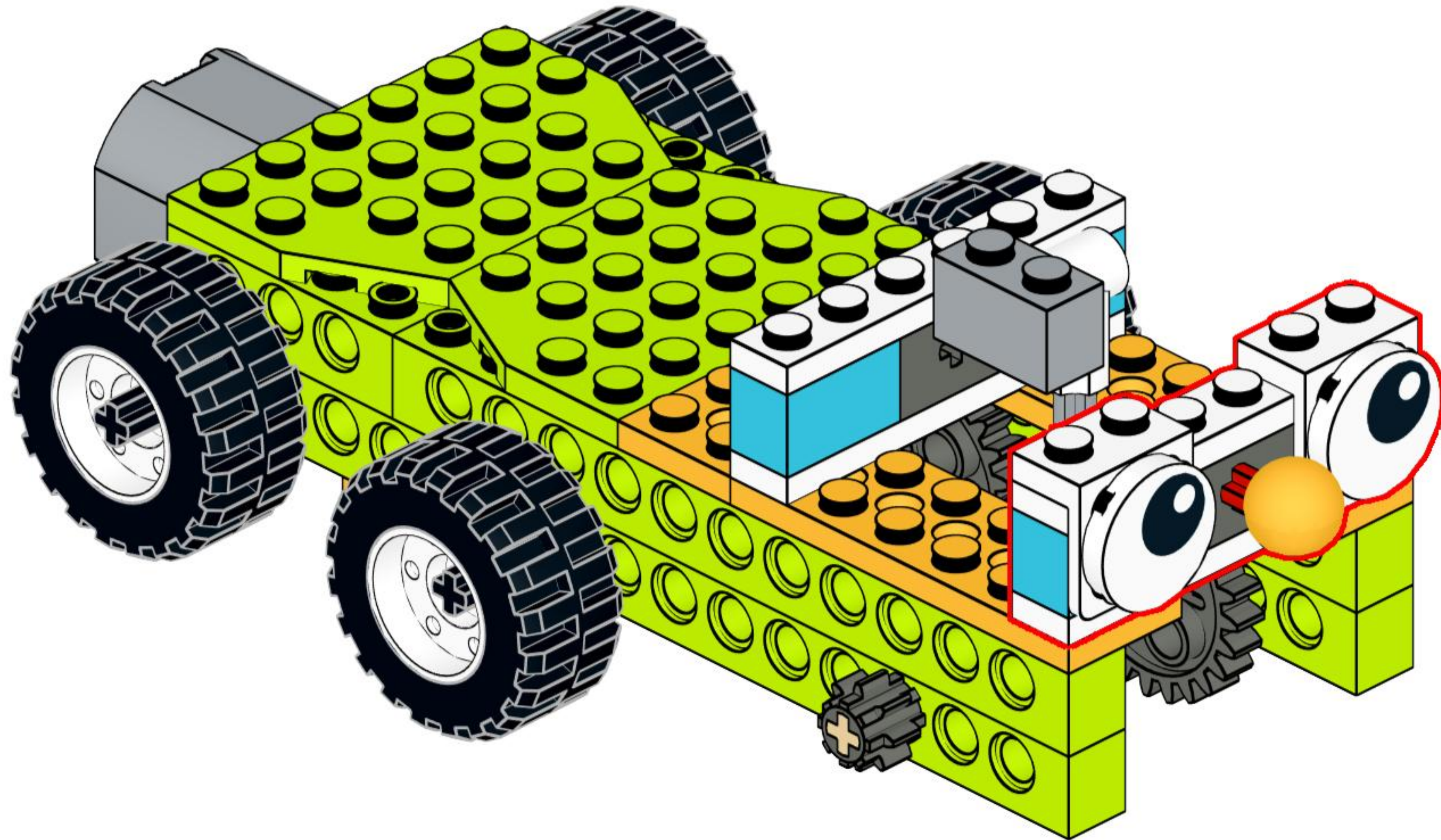


# 34



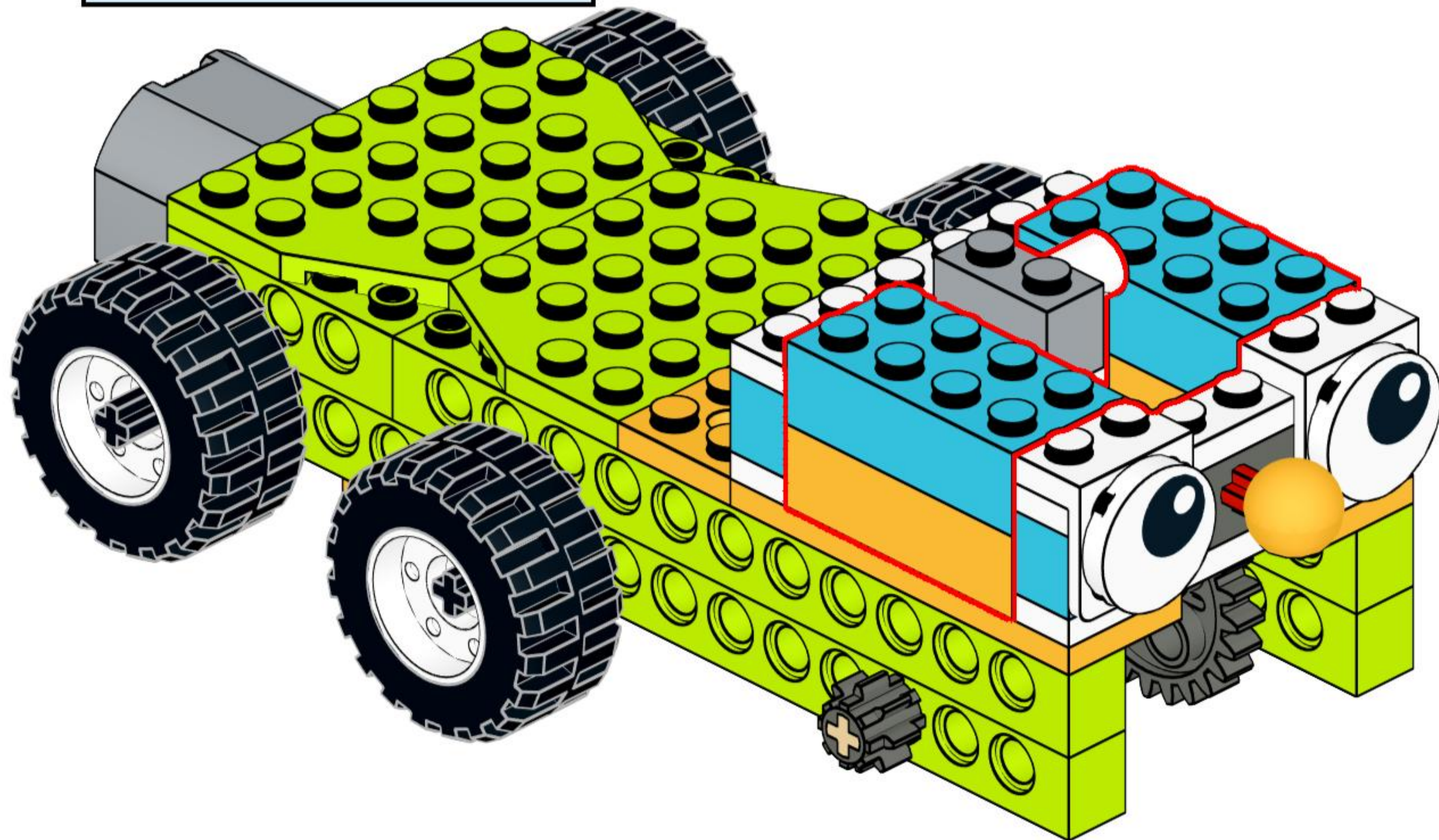
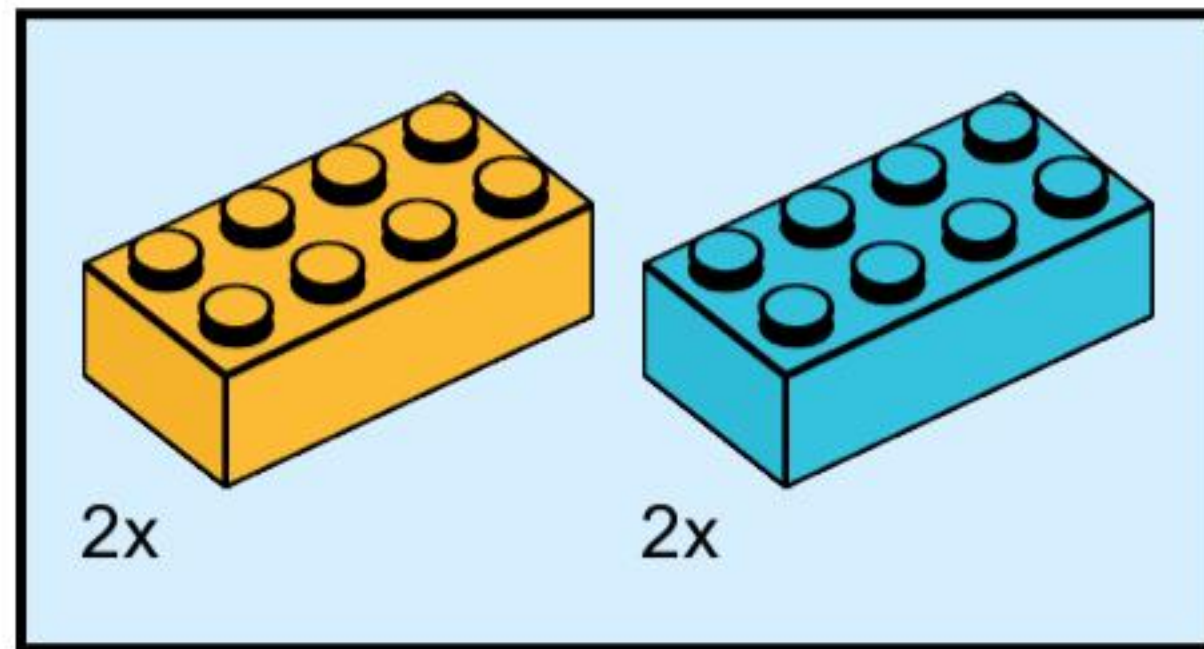


# 35



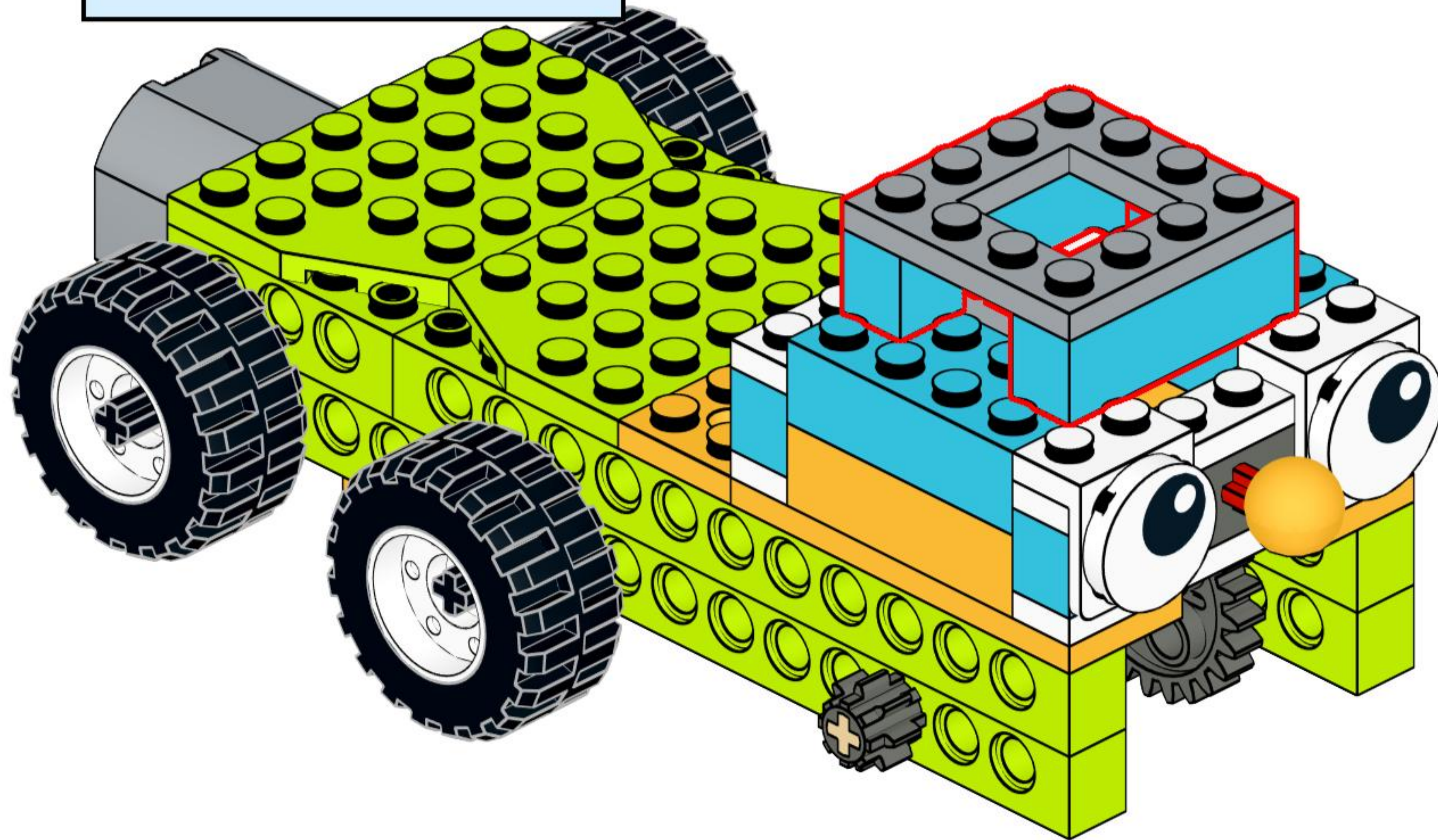
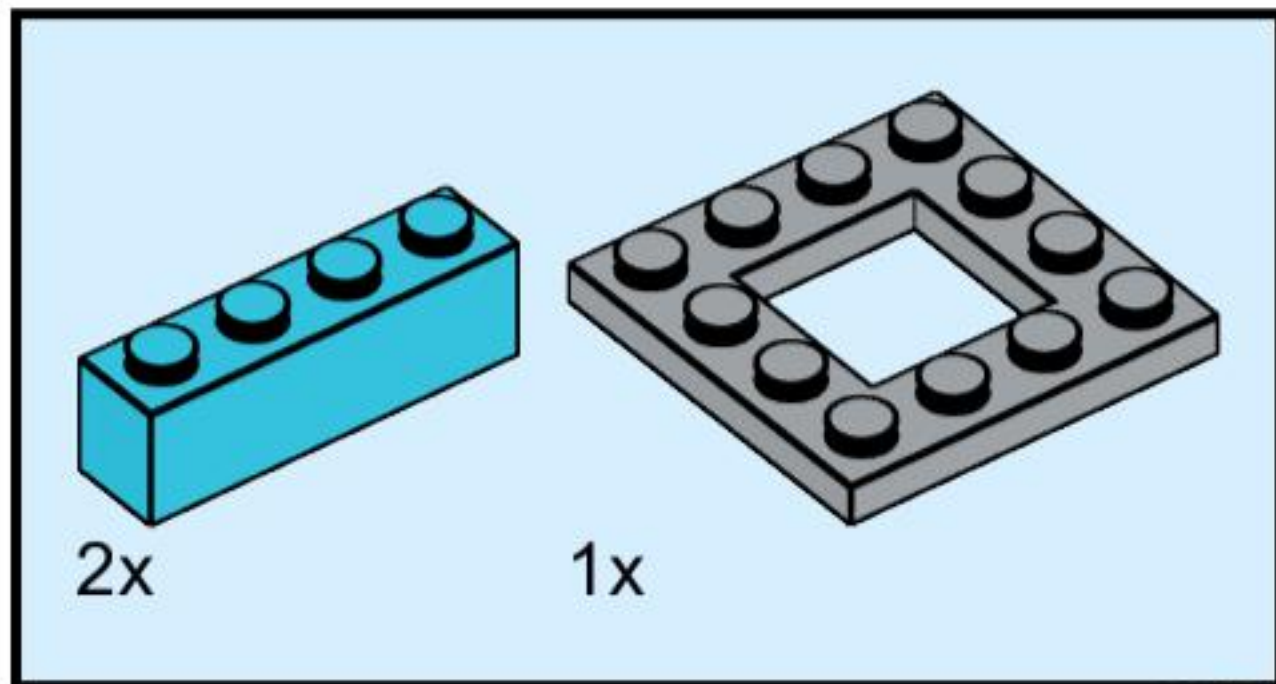


# 36



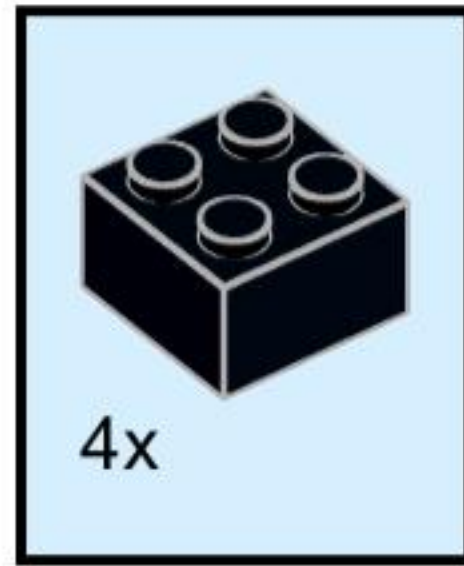


# 37

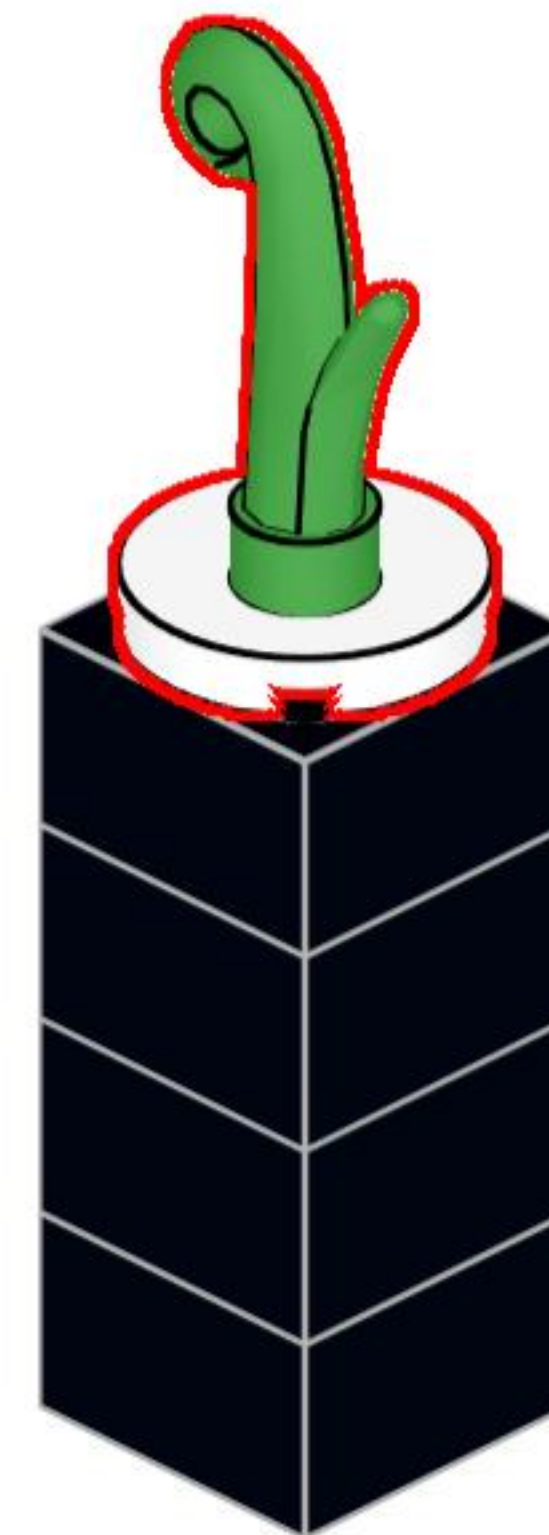
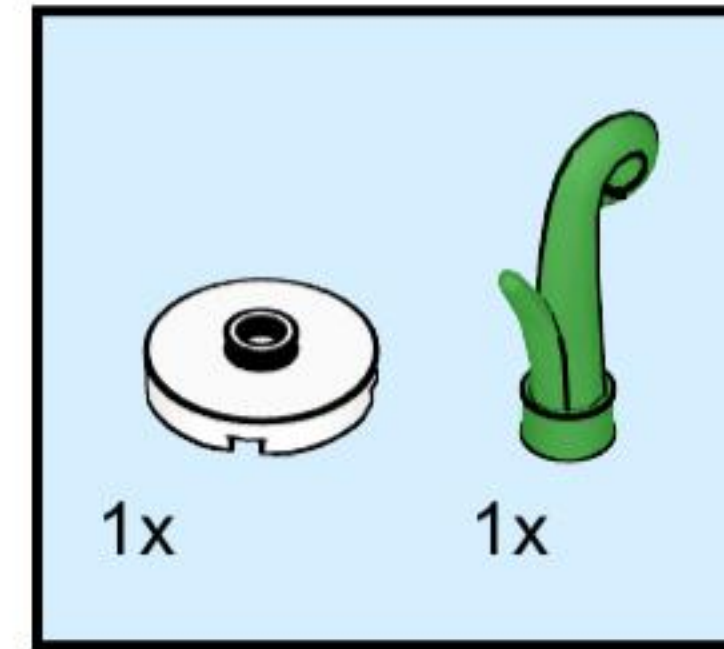




38

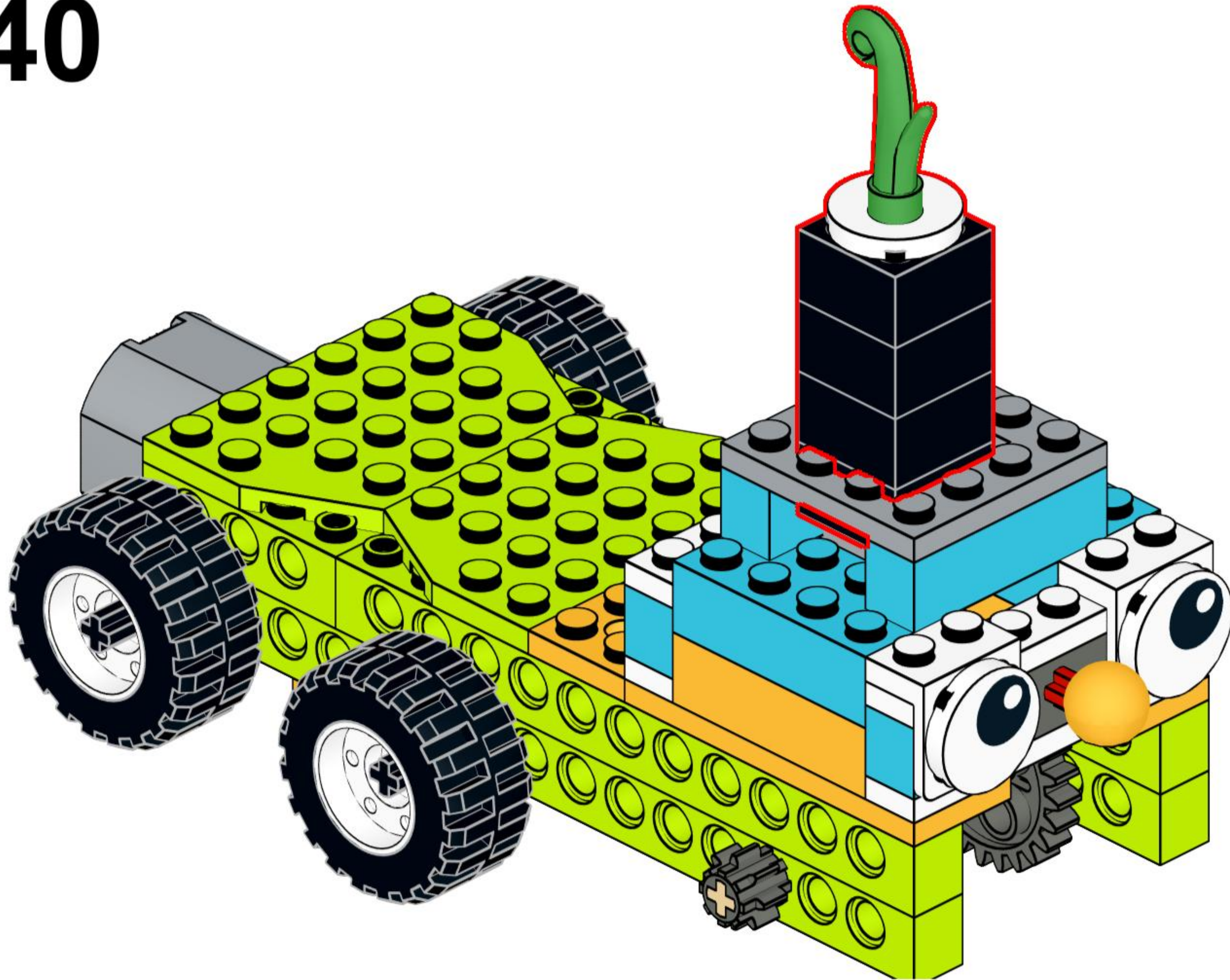


39



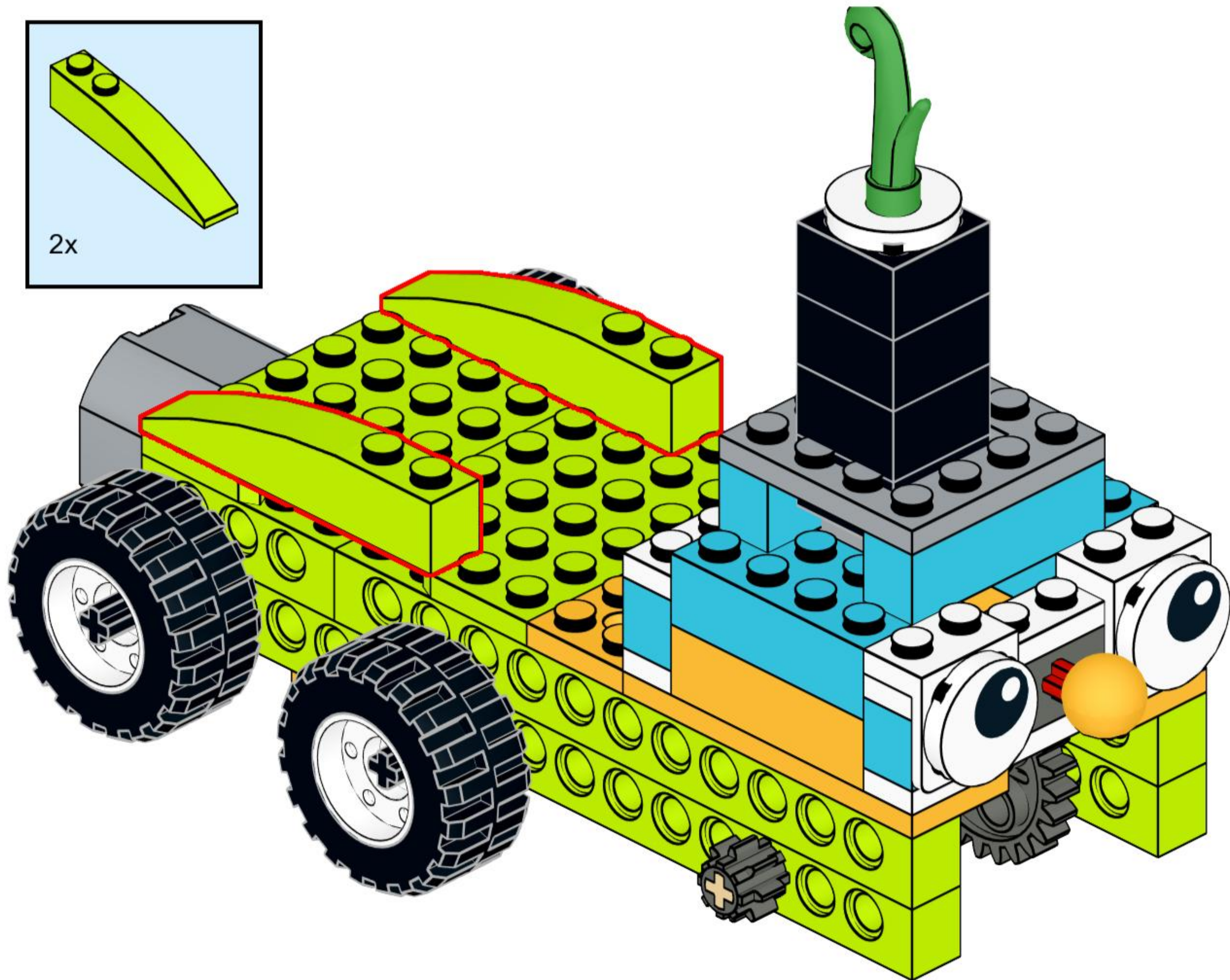
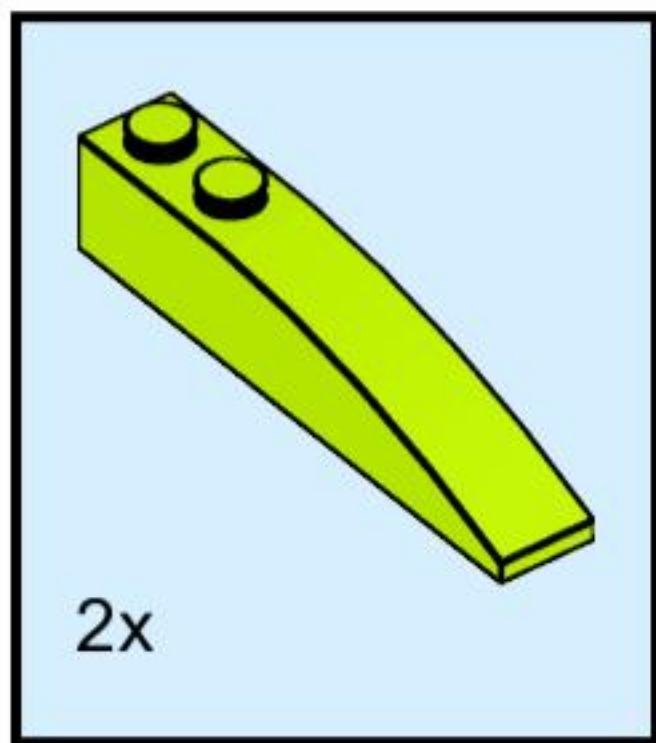


# 40





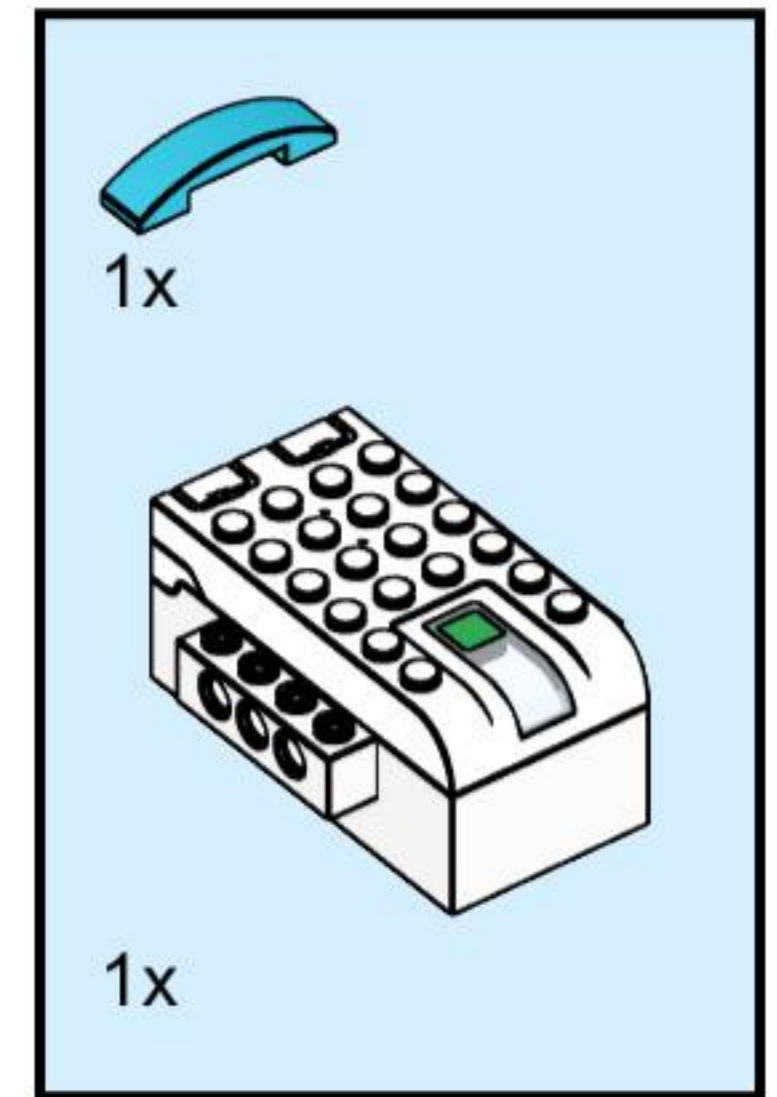
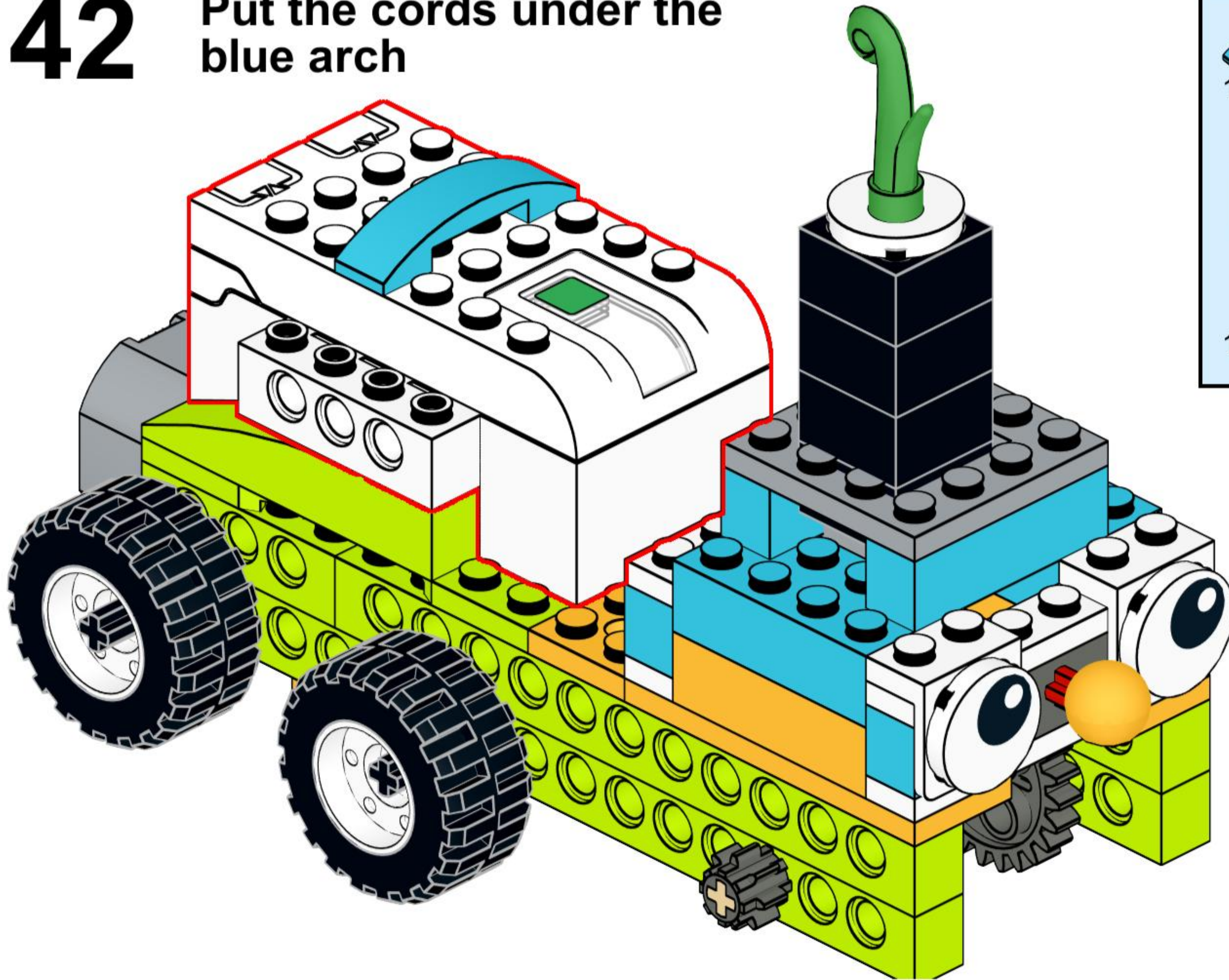
# 41





# 42

## Put the cords under the blue arch





# Parts List: Tommy the TankBot

