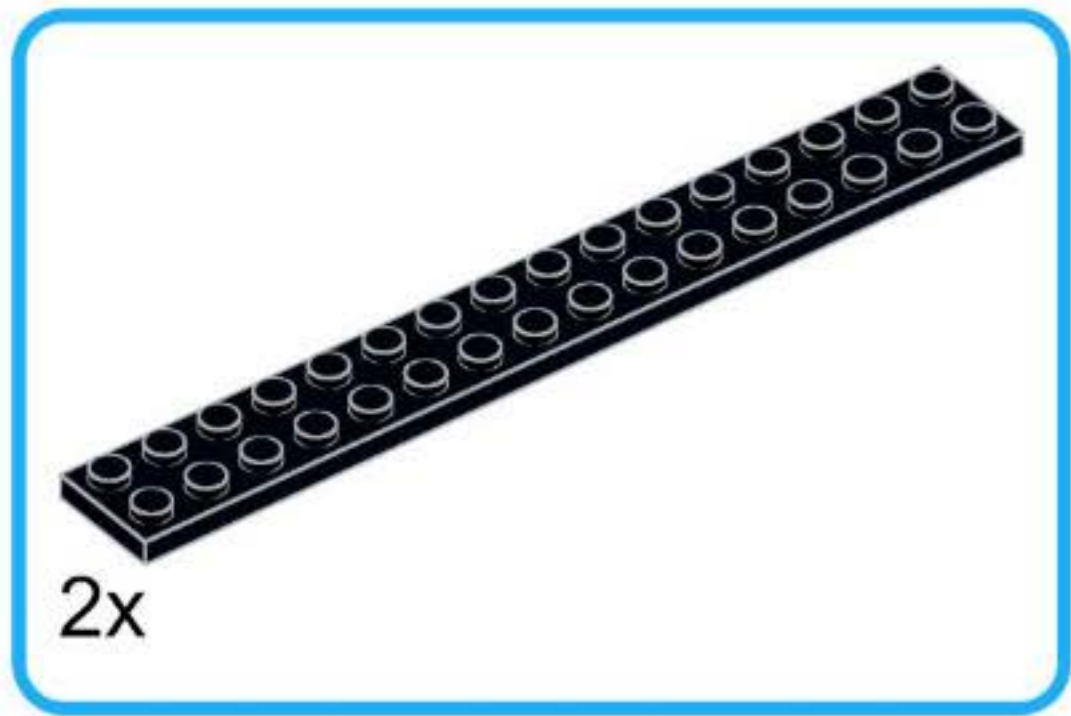


Base Truck A

with suspension
without motor

building instruction
for Lego WeDo 2.0 45300



Gergert's lab

Gergert's lab

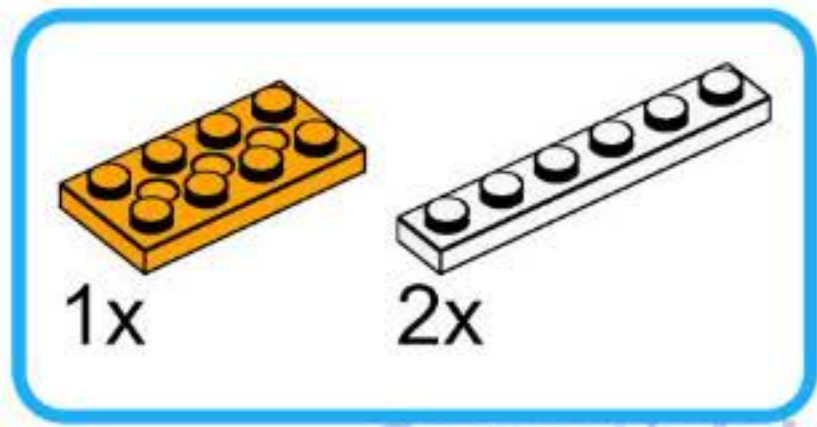


Gergert's lab

Gergert's lab

Gergert's lab

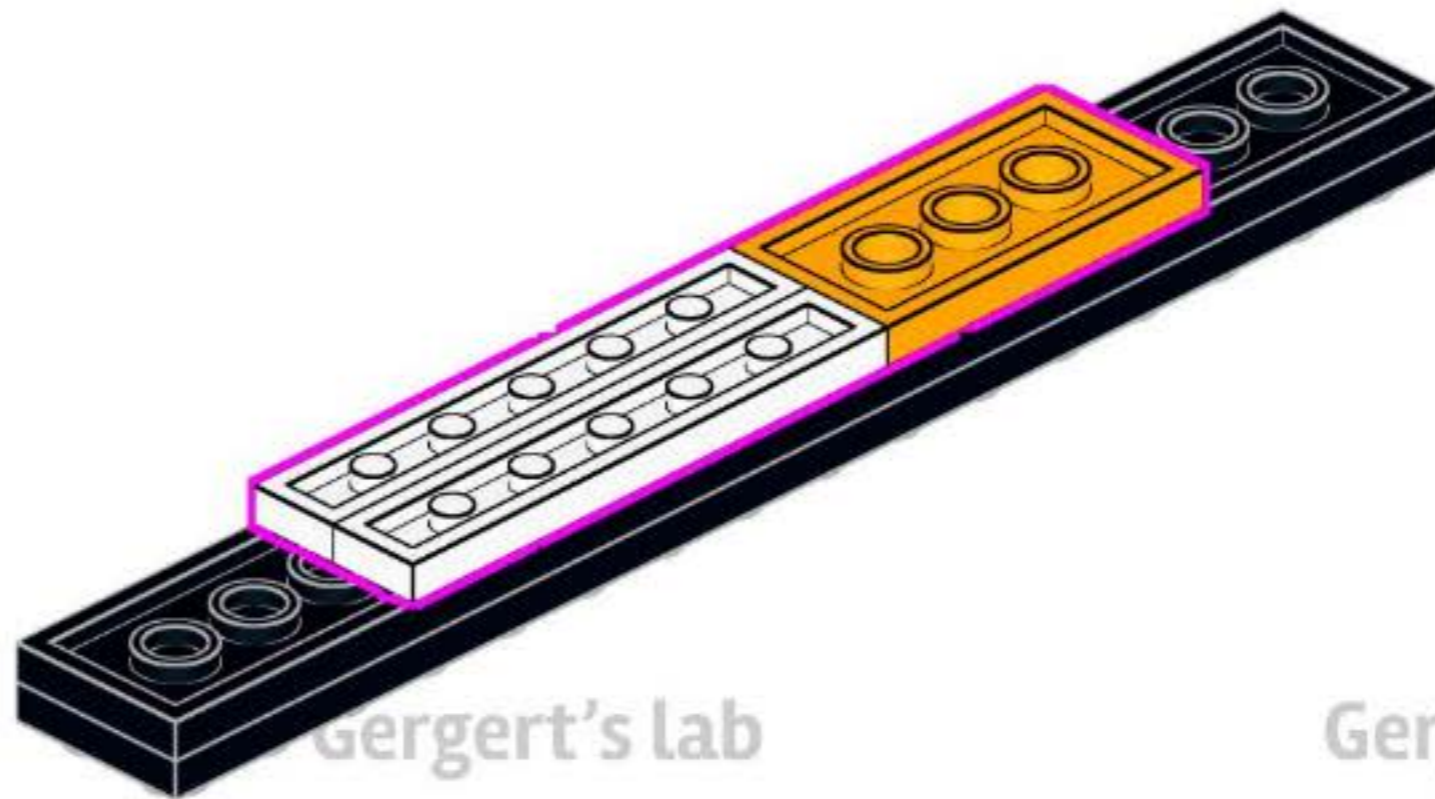
1



Gergert's lab

Gergert's lab

Gergert's lab

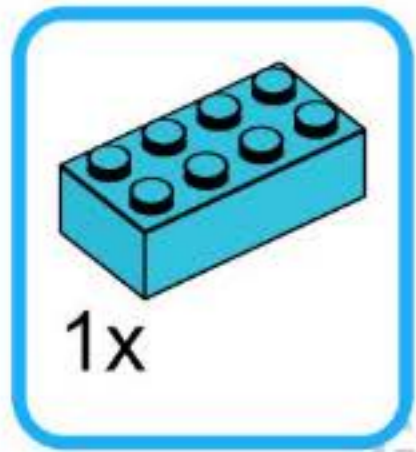


Gergert's lab

Gergert's lab

Gergert's lab

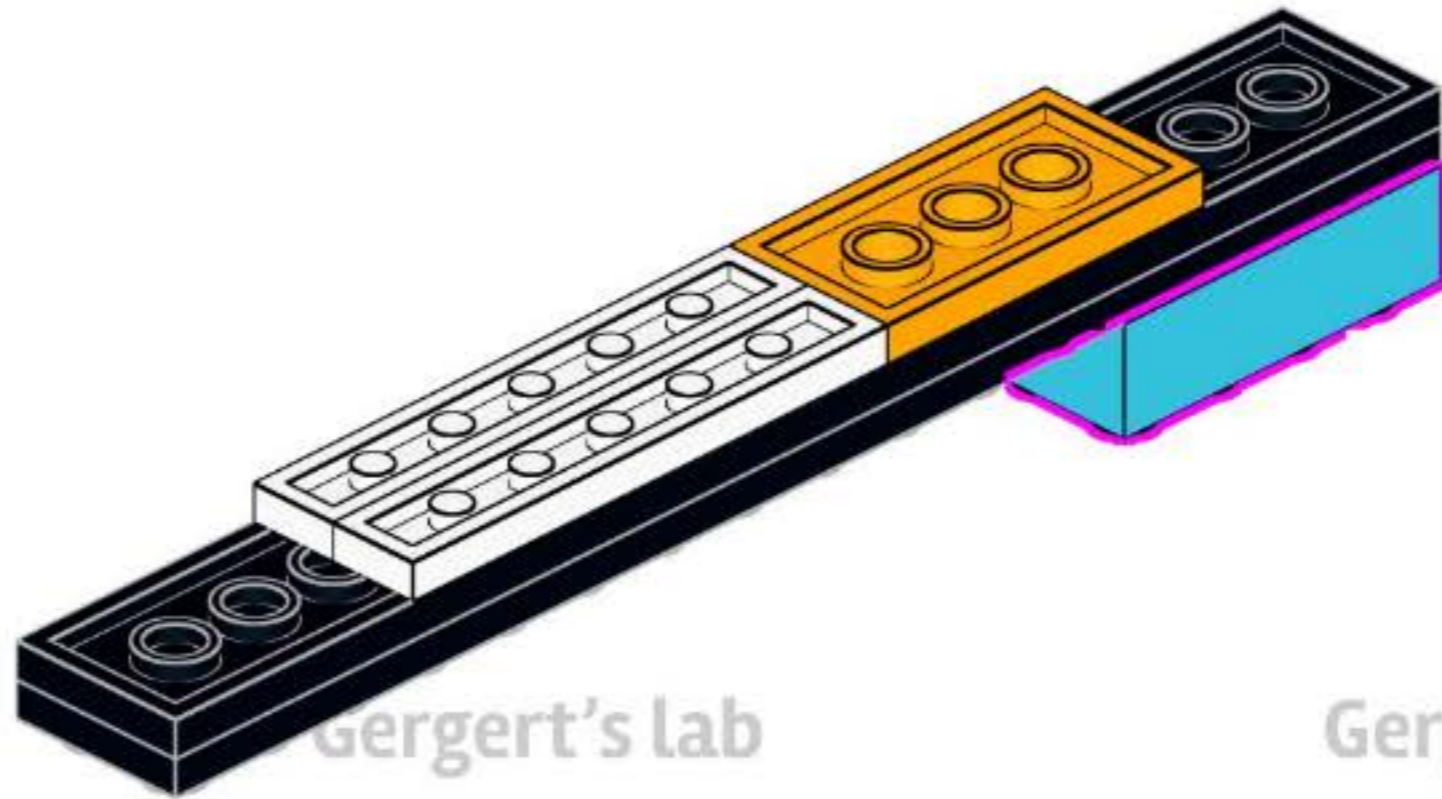
2



Gergert's lab

Gergert's lab

Gergert's lab

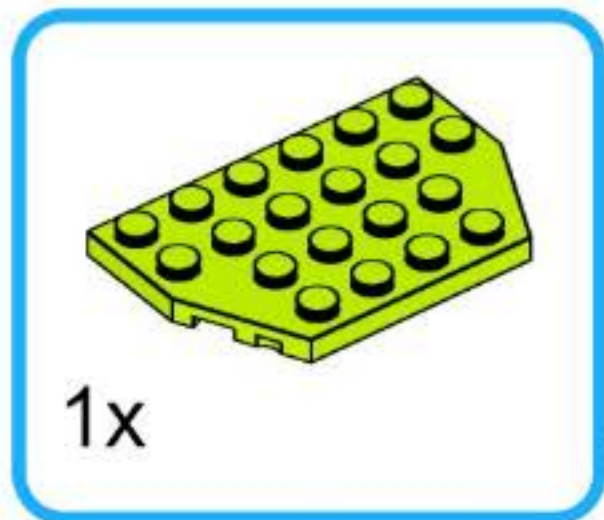


Gergert's lab

Gergert's lab

Gergert's lab

3

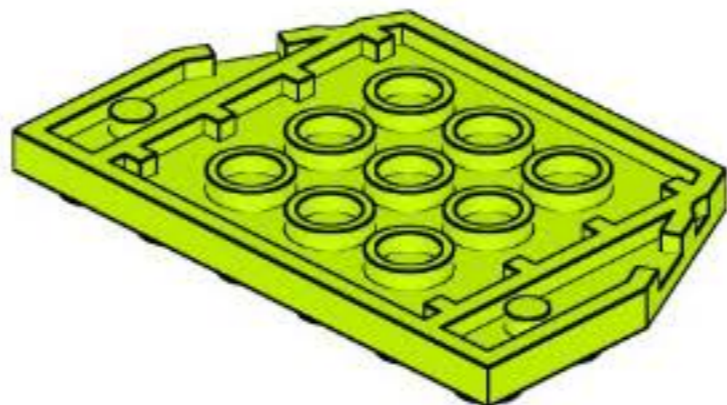


1x

t's lab

Gergert's lab

Gergert's lab

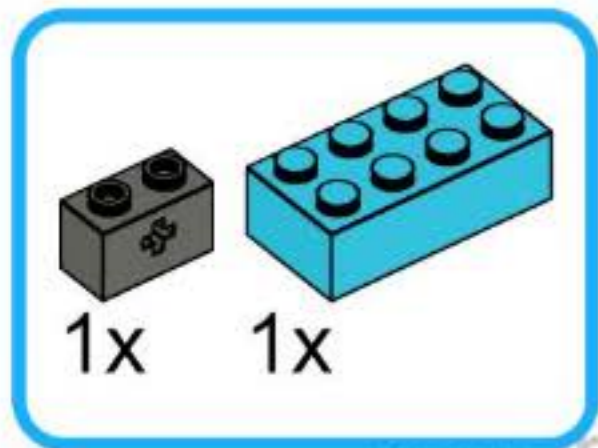


Gergert's lab

Gergert's lab

Gergert's lab

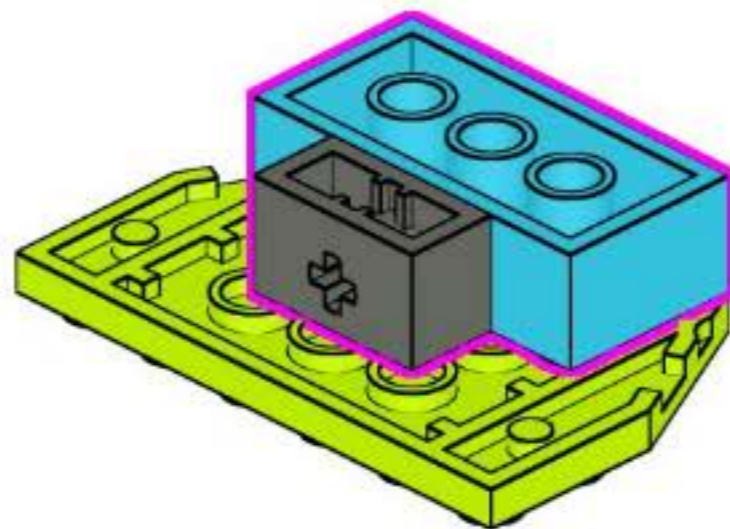
4



Gergert's lab

Gergert's lab

Gergert's lab

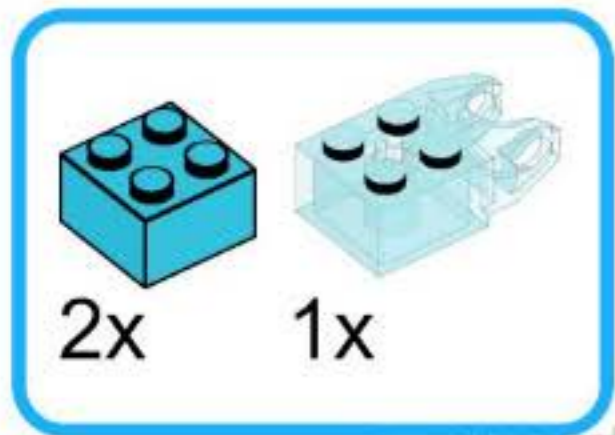


Gergert's lab

Gergert's lab

Gergert's lab

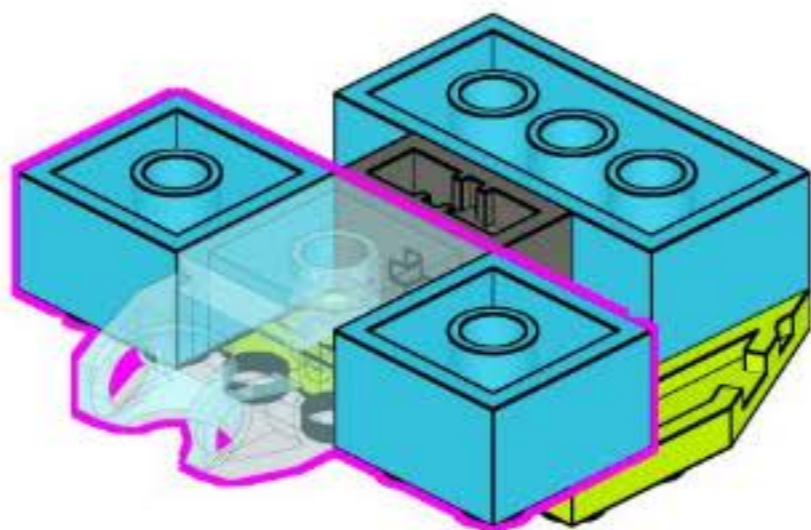
5



Gergert's lab

Gergert's lab

Gergert's lab

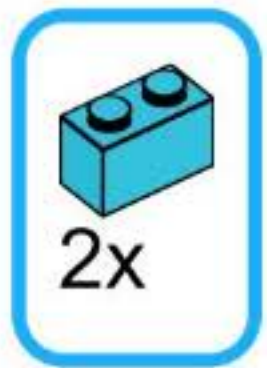


Gergert's lab

Gergert's lab

Gergert's lab

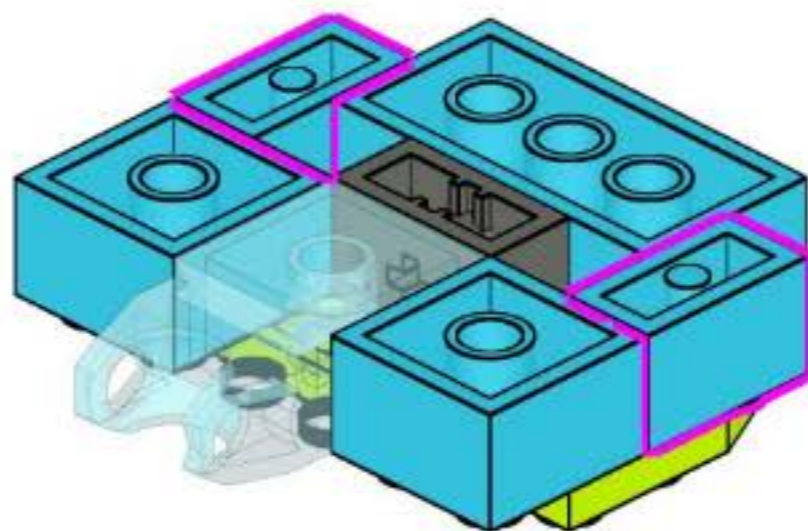
6



Gergert's lab

Gergert's lab

Gergert's lab



Gergert's lab

Gergert's lab

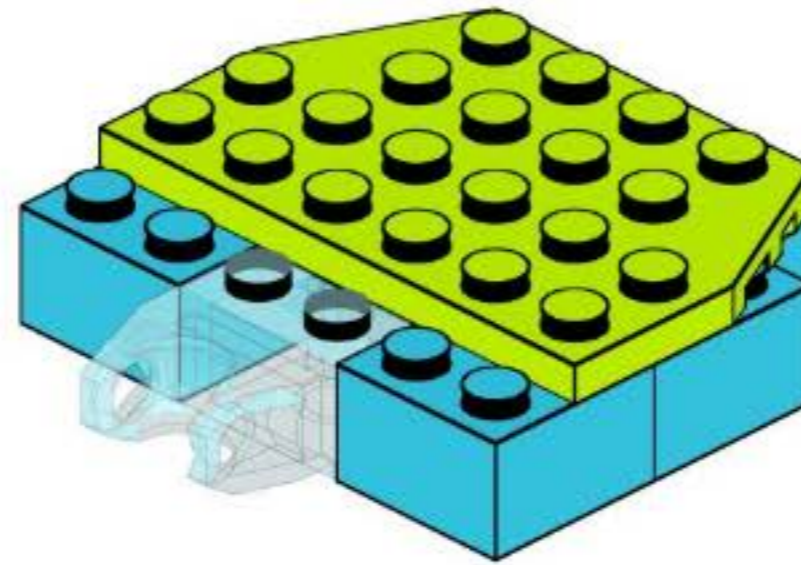
Gergert's lab

7

Gergert's lab

Gergert's lab

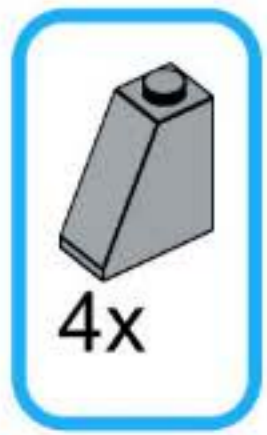
Gergert's lab



Gergert's lab

Gergert's lab

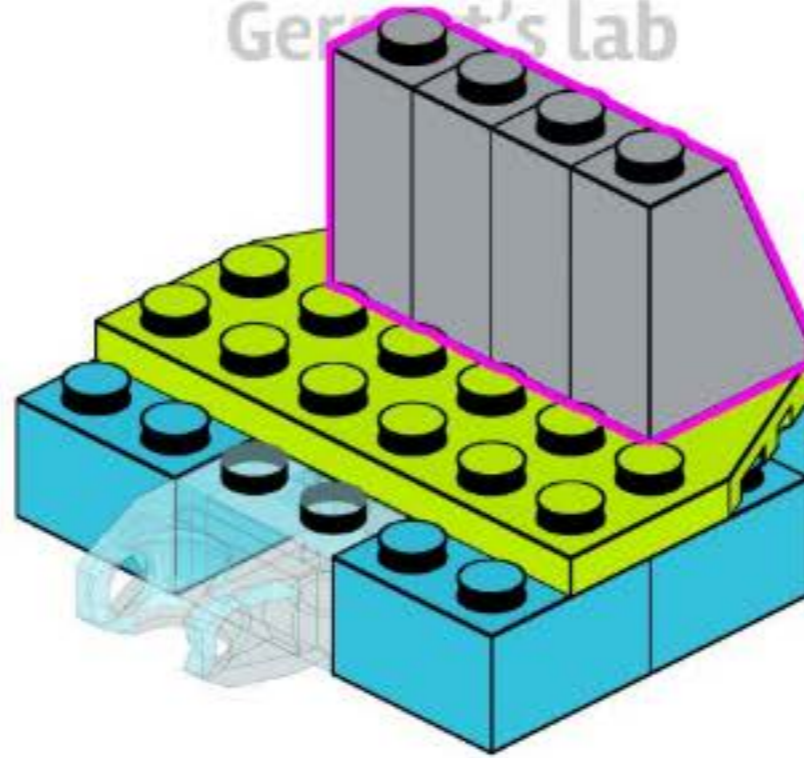
Gergert's lab



Gergert's lab

Gergert's lab

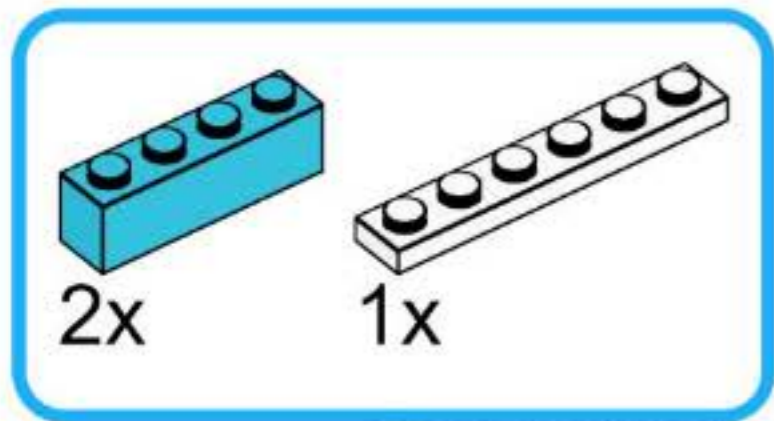
Gergert's lab



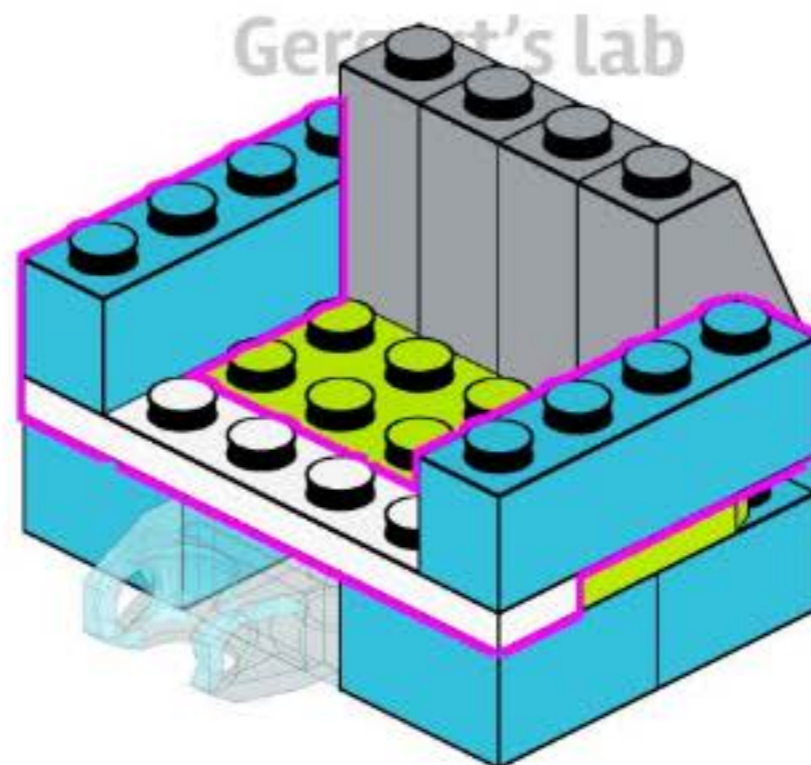
Gergert's lab

Gergert's lab

Gergert's lab



Gergert's lab



Gergert's lab

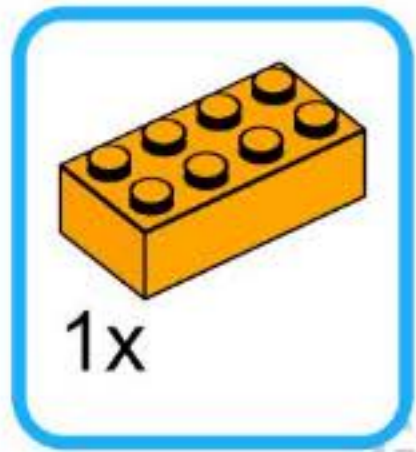
Gergert's lab

Gergert's lab

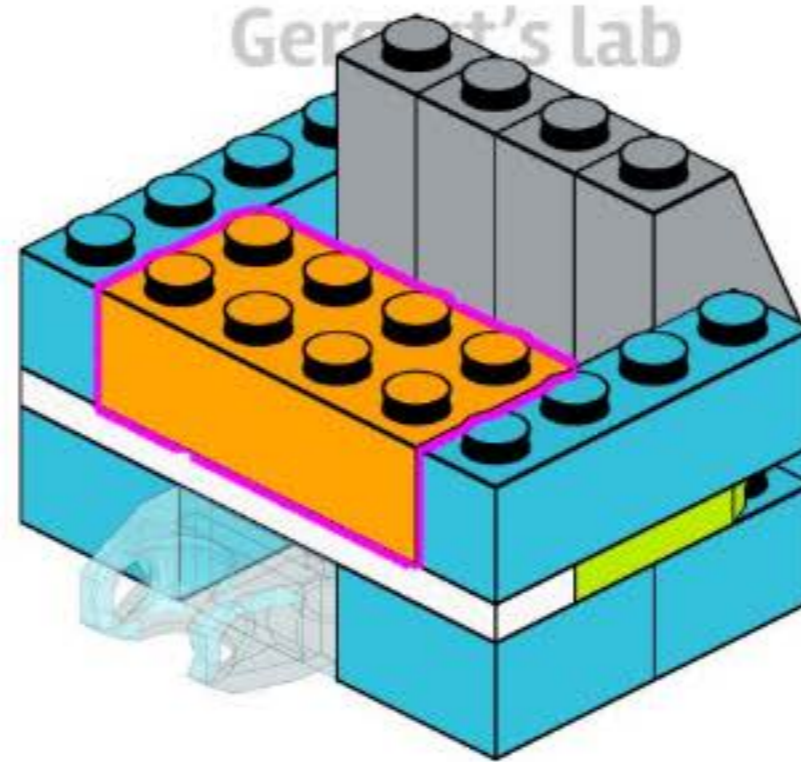
Gergert's lab

Gergert's lab

10



Gergert's lab



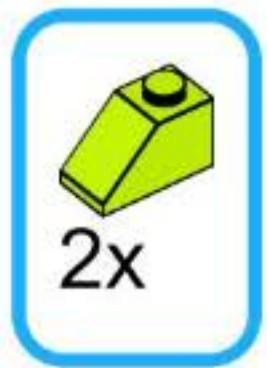
Gergert's lab

Gergert's lab

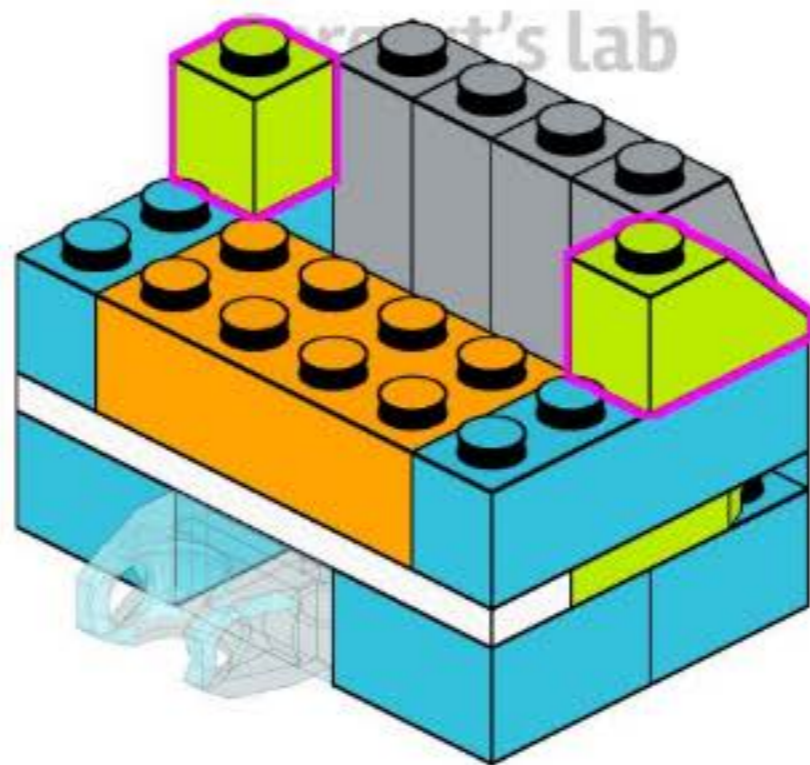
Gergert's lab

Gergert's lab

Gergert's lab



Gergert's lab

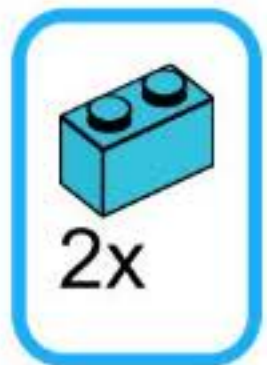


Gergert's lab

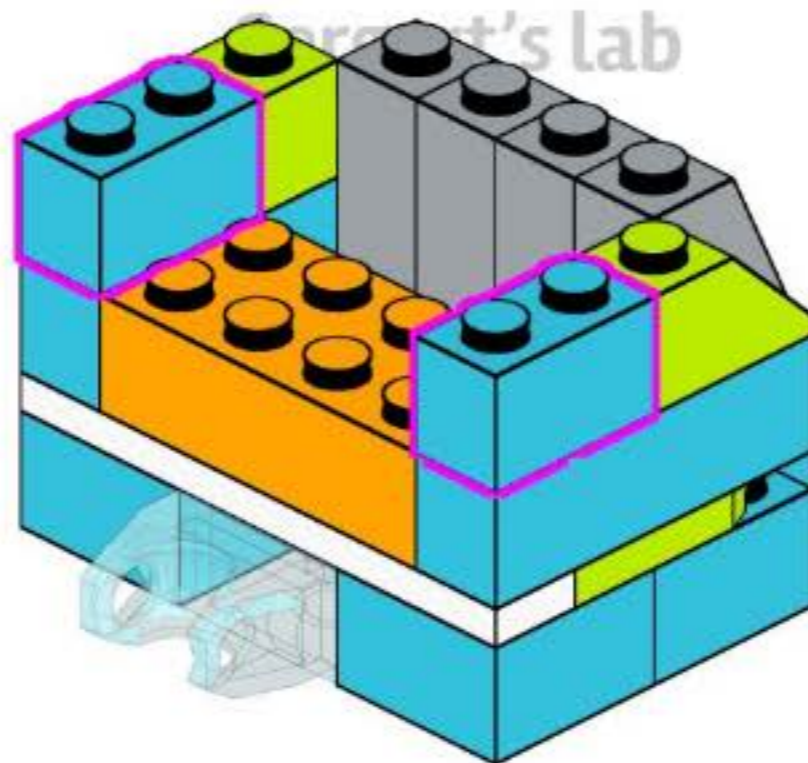
Gergert's lab

Gergert's lab

Gergert's lab



Gergert's lab



Gergert's lab

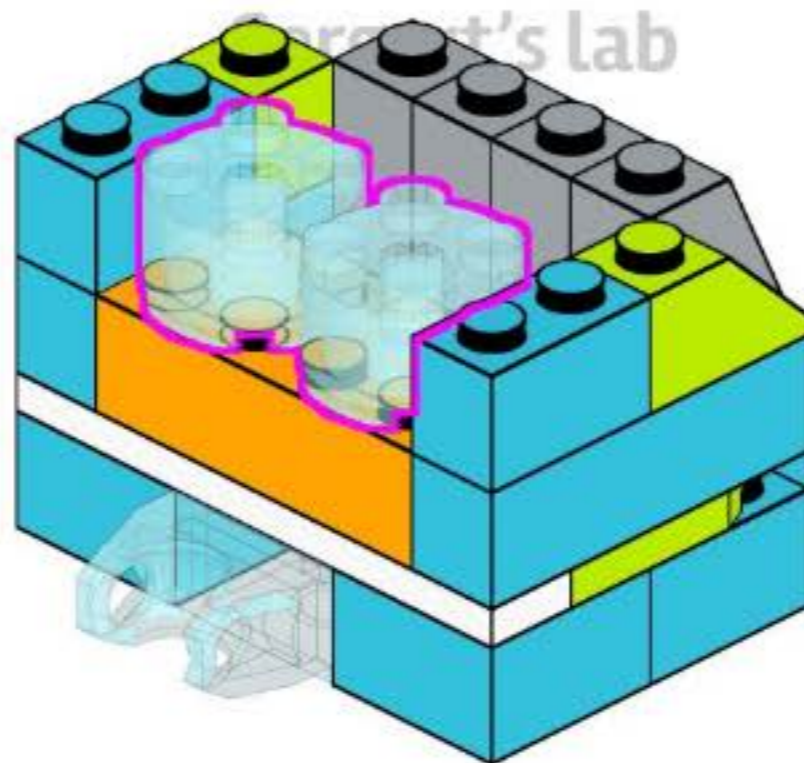
Gergert's lab

Gergert's lab

Gergert's lab



Gergert's lab

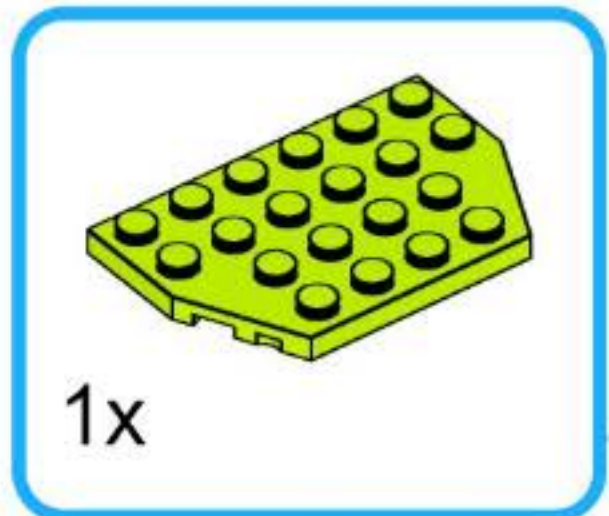


Gergert's lab

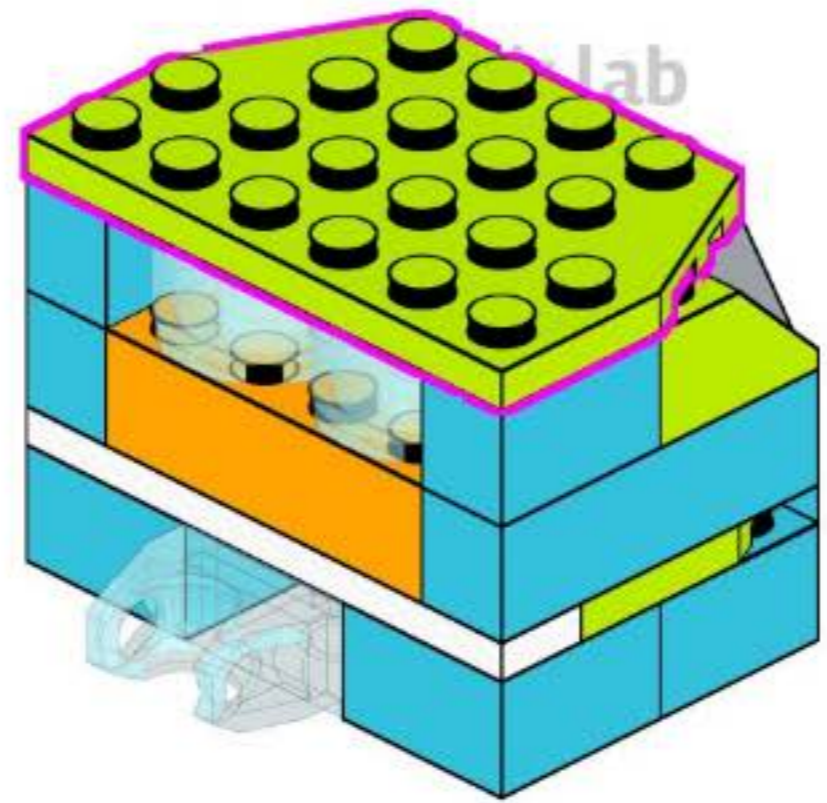
Gergert's lab

Gergert's lab

Gergert's lab



Gergert's lab



Gergert's lab

Gergert's lab

Gergert's lab

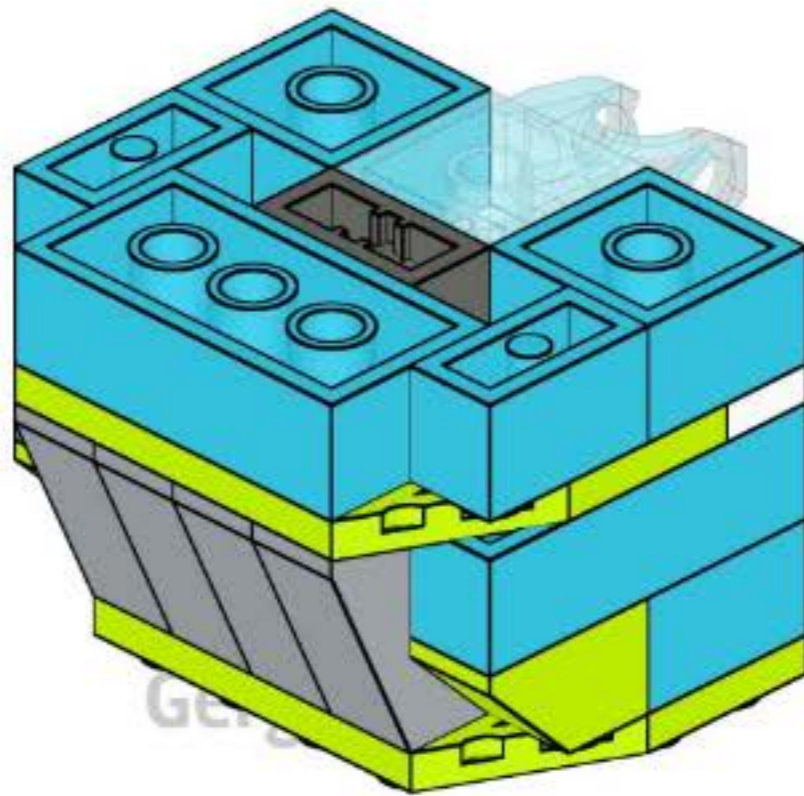
Gergert's lab

Gergert's lab

Gergert's lab

Gergert's lab

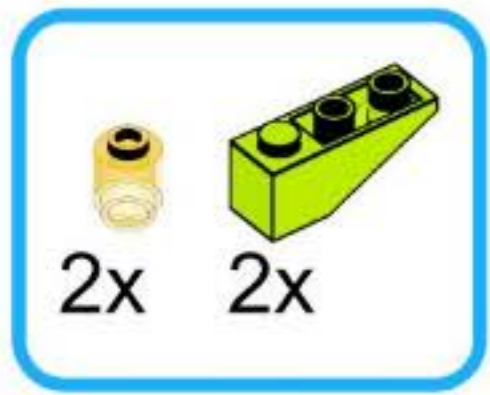
Gergert's lab



Gergert's lab

Gergert's lab

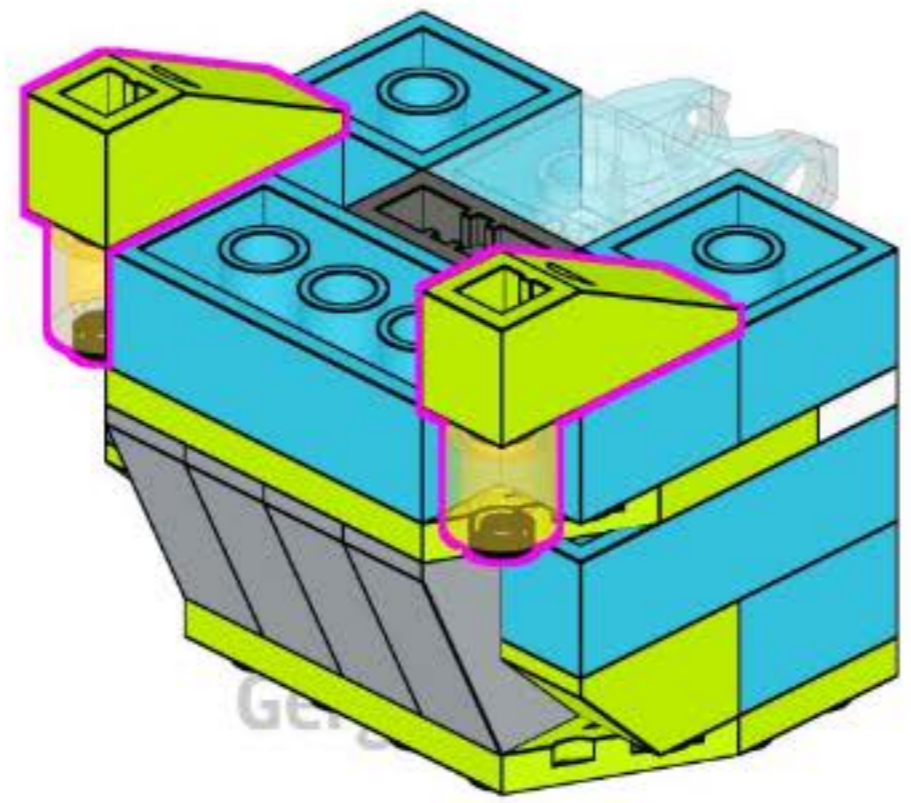
Gergert's lab



Gergert's lab

Gergert's lab

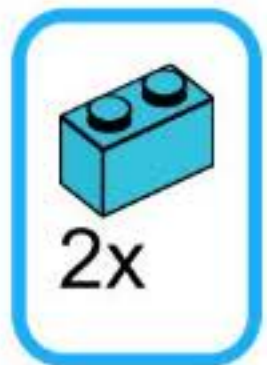
Gergert's lab



Gergert's lab

Gergert's lab

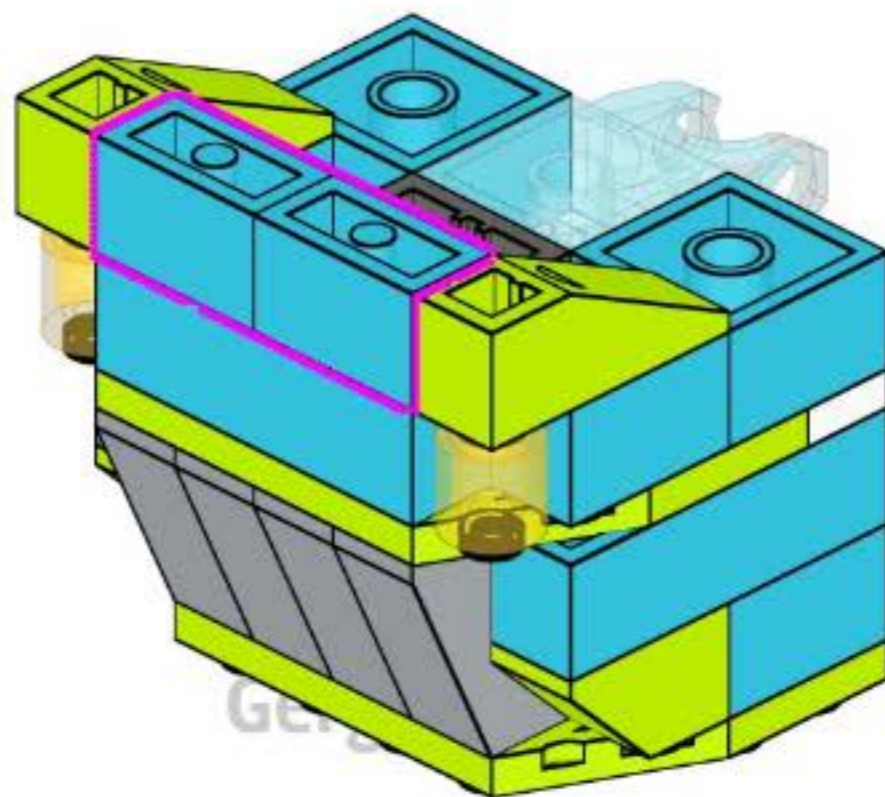
Gergert's lab



Gergert's lab

Gergert's lab

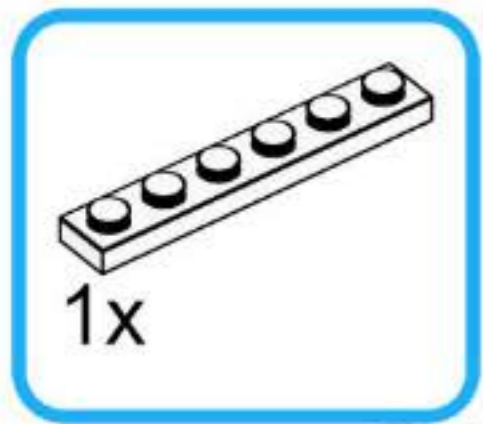
Gergert's lab



Gergert's lab

Gergert's lab

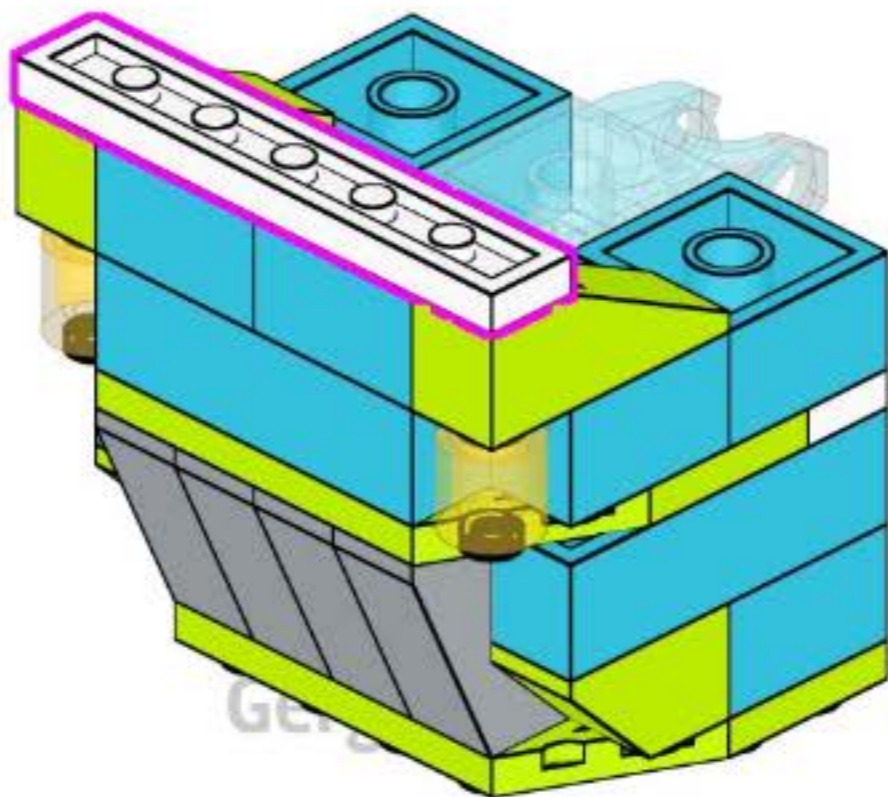
Gergert's lab



Gergert's lab

Gergert's lab

Gergert's lab



Gergert's lab

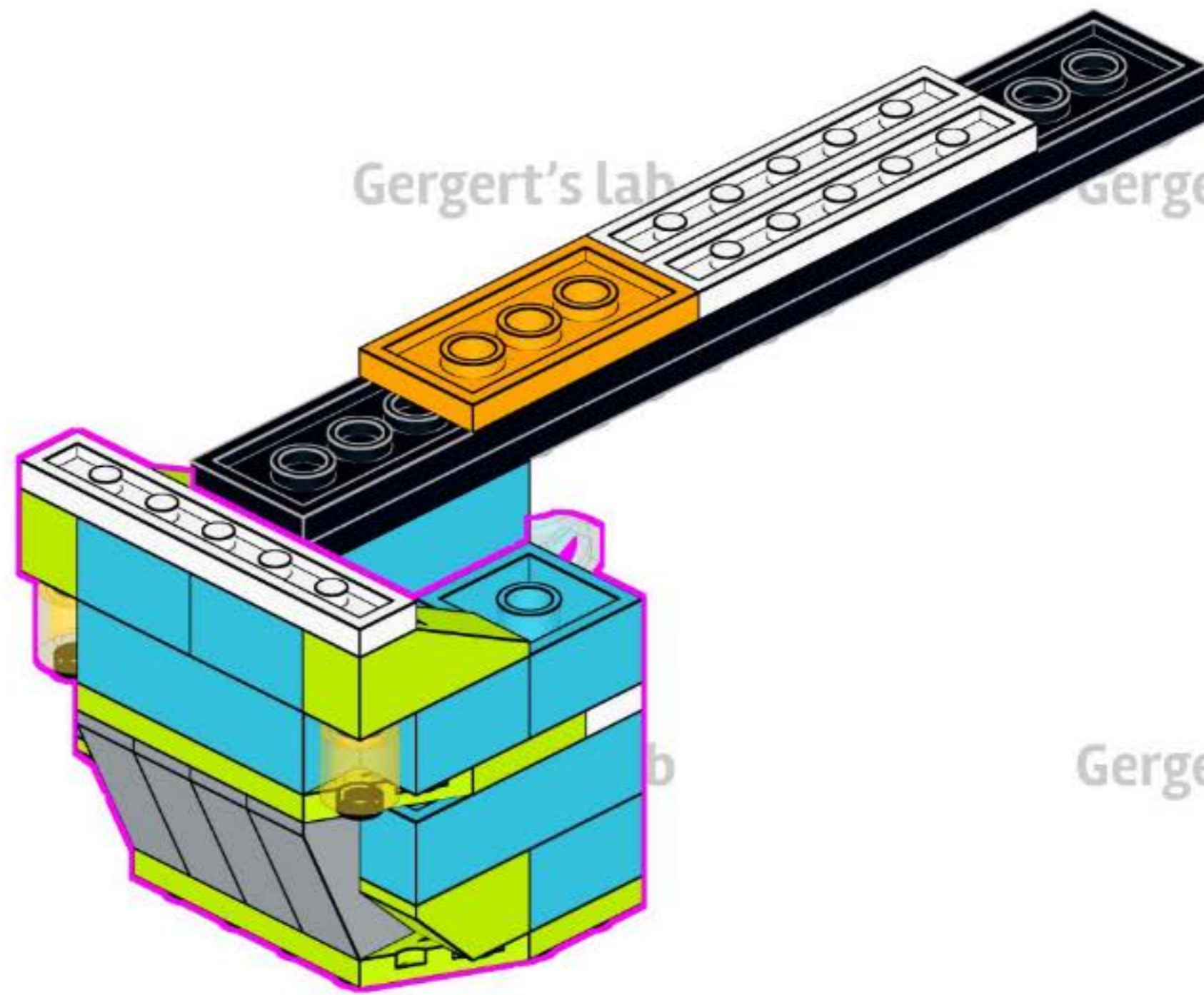
Gergert's lab

Gergert's lab

Gergert's lab

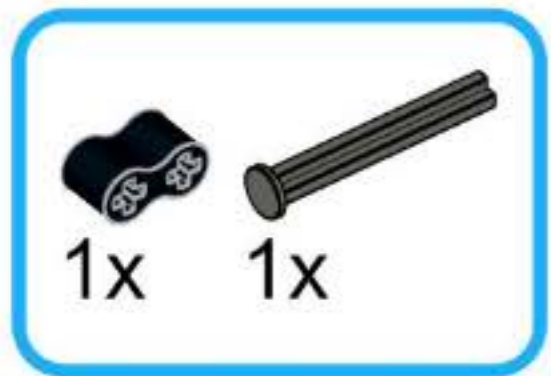
Gergert's lab

Gergert's lab



Gergert's lab

Gergert's lab



Gergert's lab

Gergert's lab

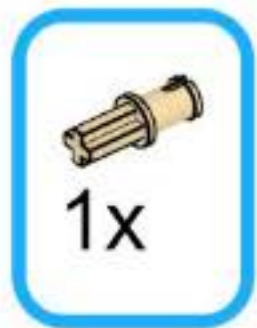
Gergert's lab



Gergert's lab

Gergert's lab

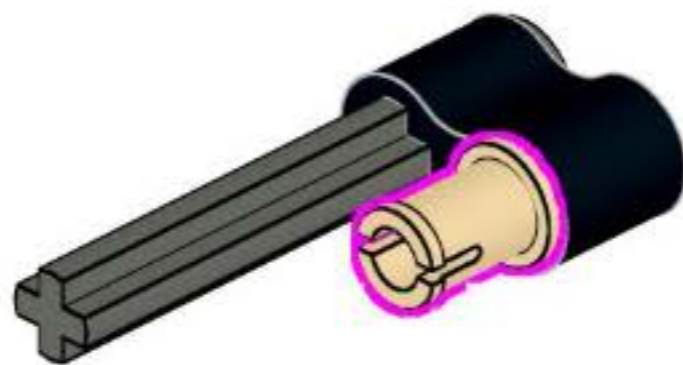
Gergert's lab



Gergert's lab

Gergert's lab

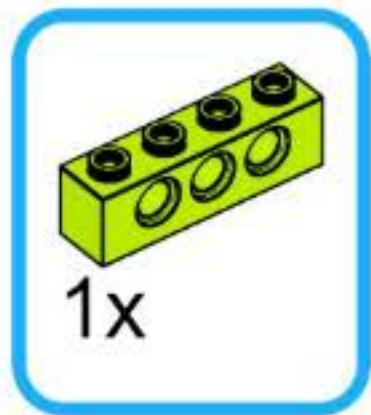
Gergert's lab



Gergert's lab

Gergert's lab

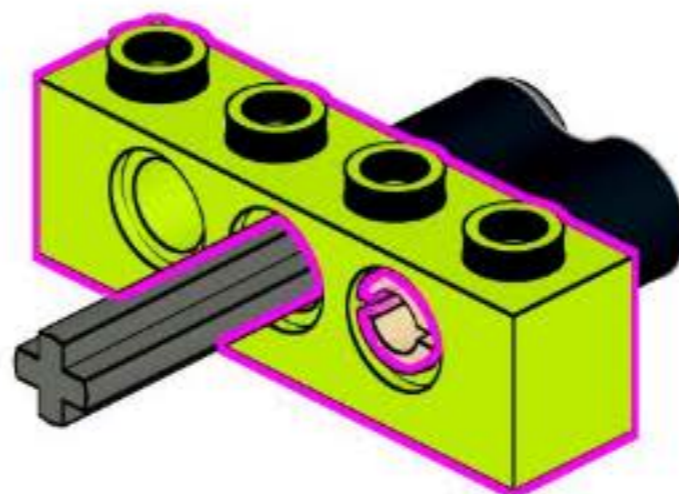
Gergert's lab



Gergert's lab

Gergert's lab

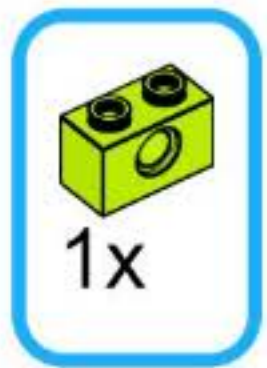
Gergert's lab



Gergert's lab

Gergert's lab

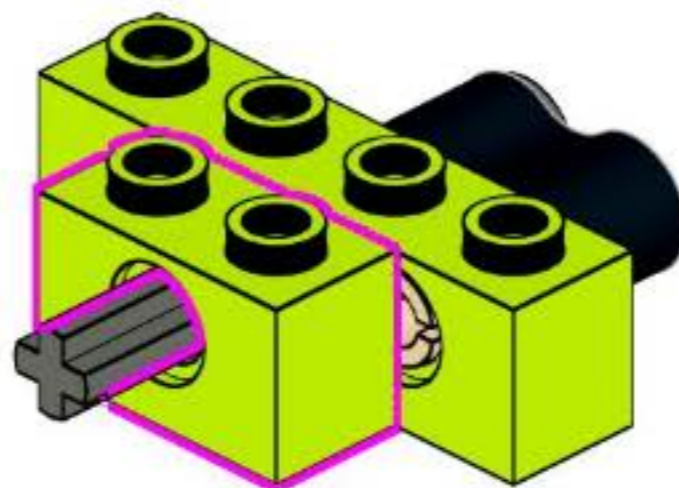
Gergert's lab



Gergert's lab

Gergert's lab

Gergert's lab



Gergert's lab

Gergert's lab

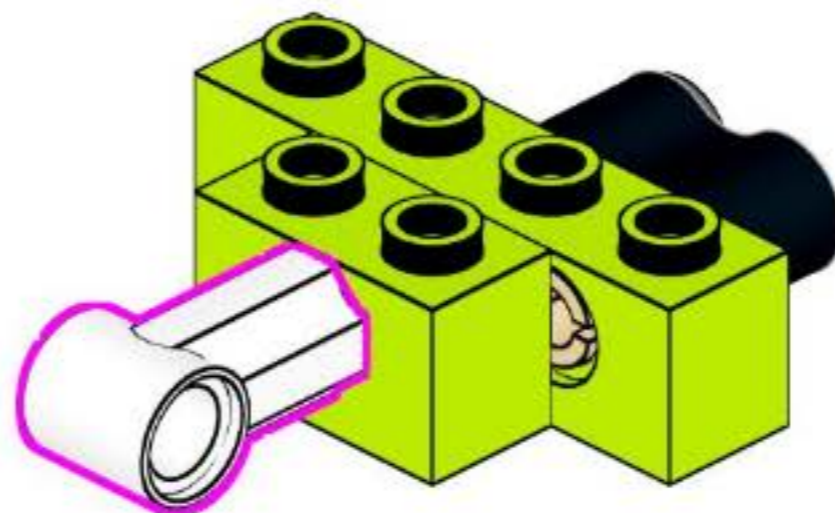
Gergert's lab



Gergert's lab

Gergert's lab

Gergert's lab



Gergert's lab

Gergert's lab

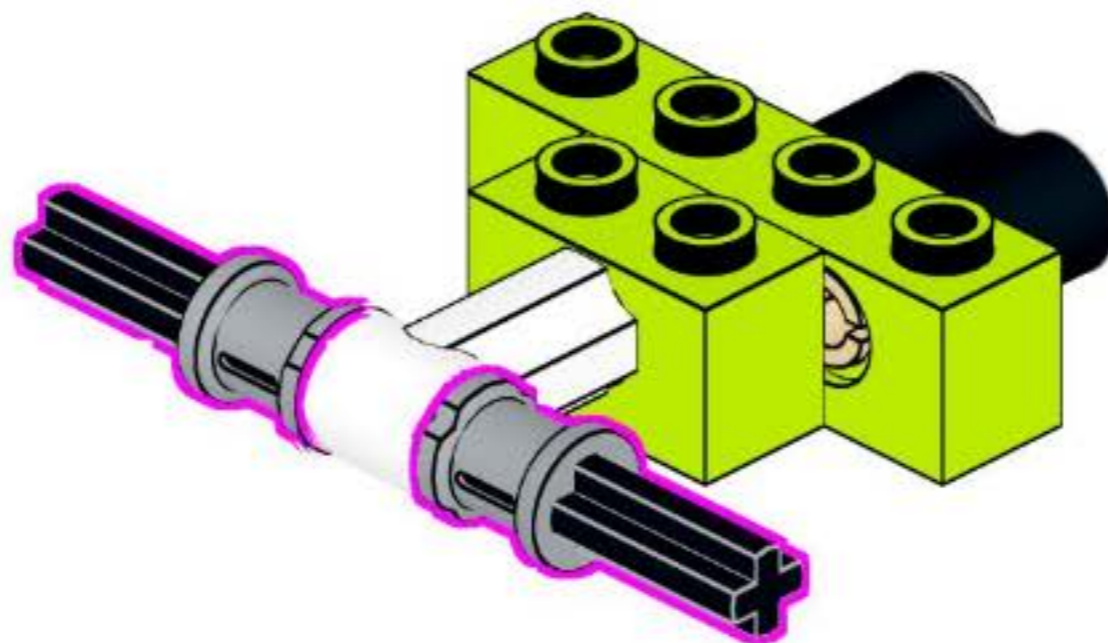
Gergert's lab



Gergert's lab

Gergert's lab

Gergert's lab



Gergert's lab

Gergert's lab

Gergert's lab



Gergert's lab

Gergert's lab

Gergert's lab



Gergert's lab

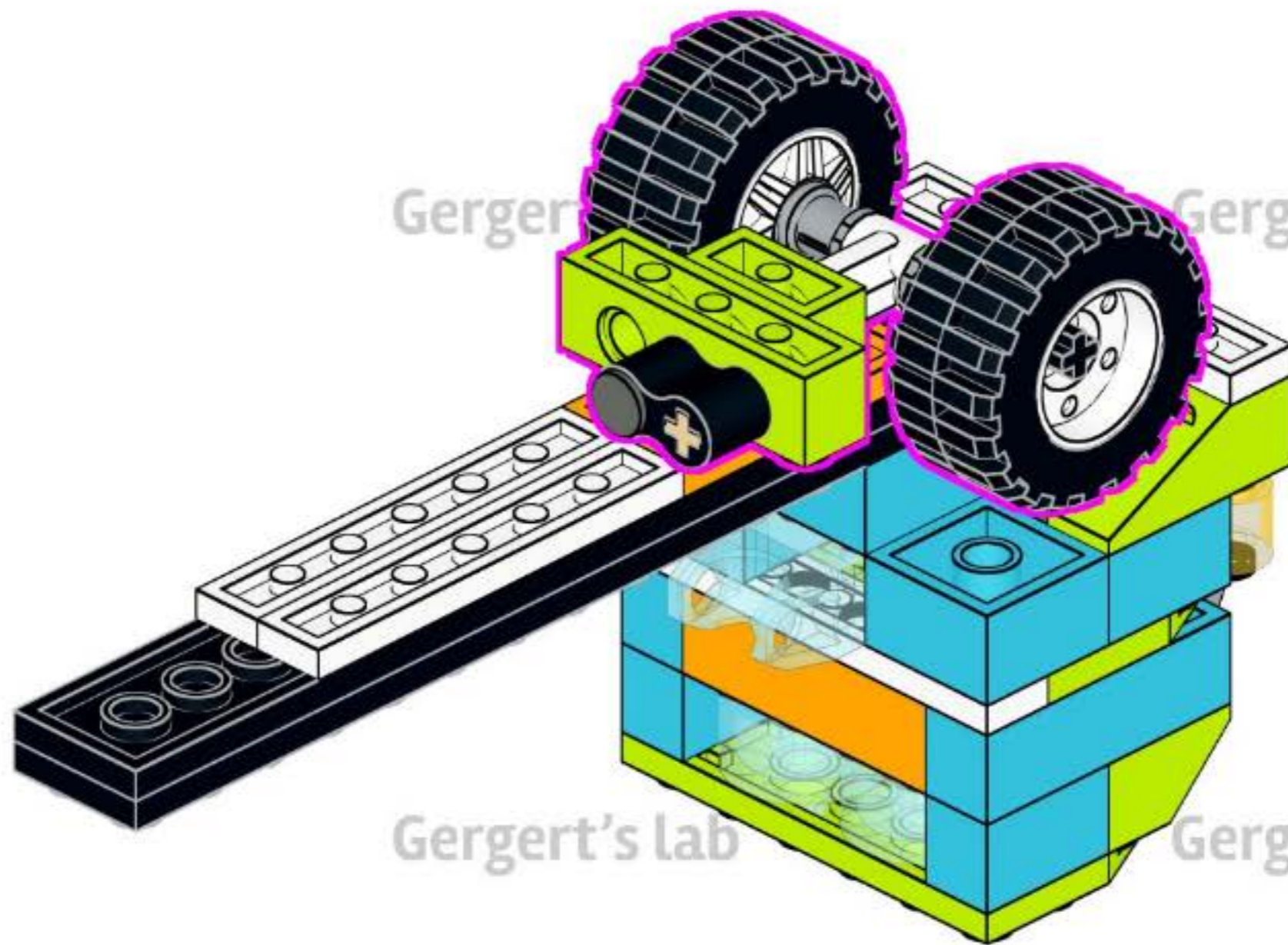
Ge

Gergert's lab

Gergert's lab

Gergert's lab

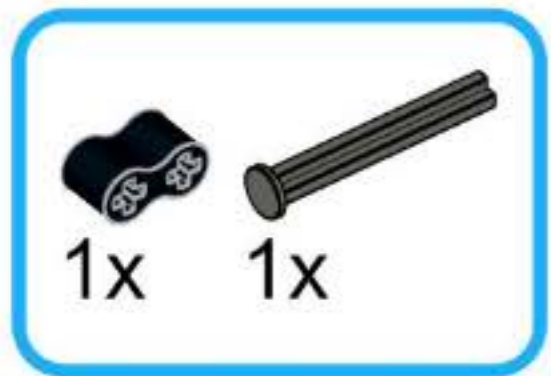
Gergert's lab



Gergert's lab

Gergert's lab

Gergert's lab



Gergert's lab

Gergert's lab

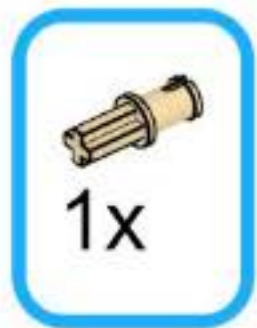
Gergert's lab



Gergert's lab

Gergert's lab

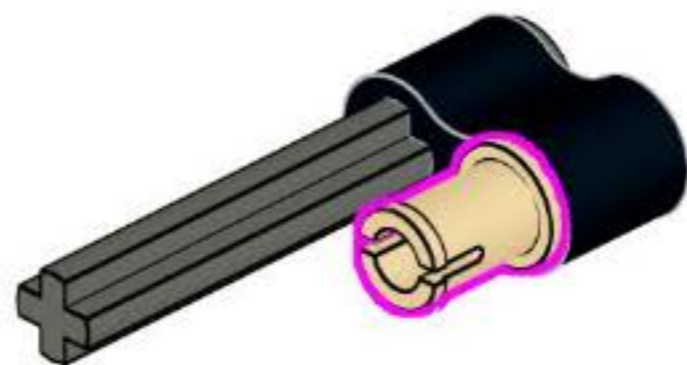
Gergert's lab



Gergert's lab

Gergert's lab

Gergert's lab

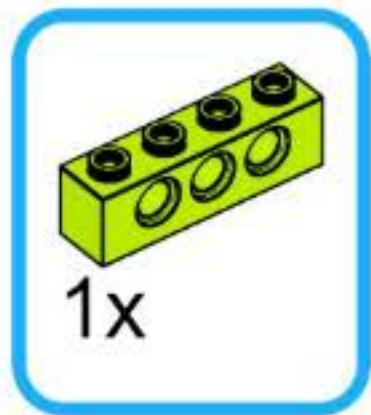


Gergert's lab

Gergert's lab

Gergert's lab

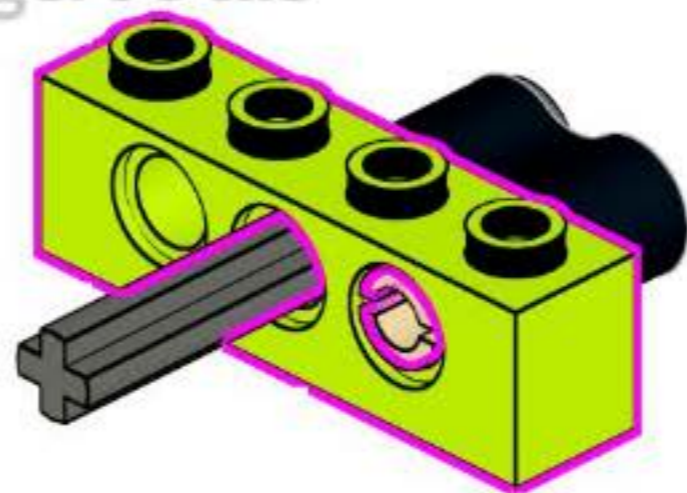
30



Gergert's lab

Gergert's lab

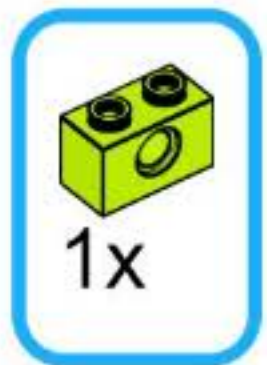
Gergert's lab



Gergert's lab

Gergert's lab

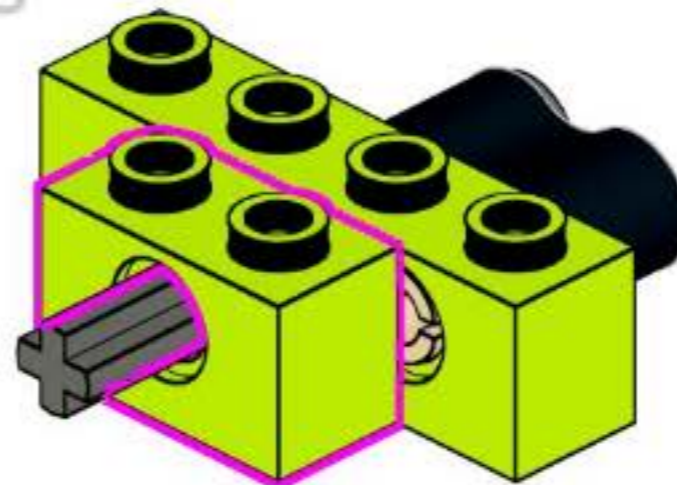
Gergert's lab



Gergert's lab

Gergert's lab

Gergert's lab



Gergert's lab

Gergert's lab

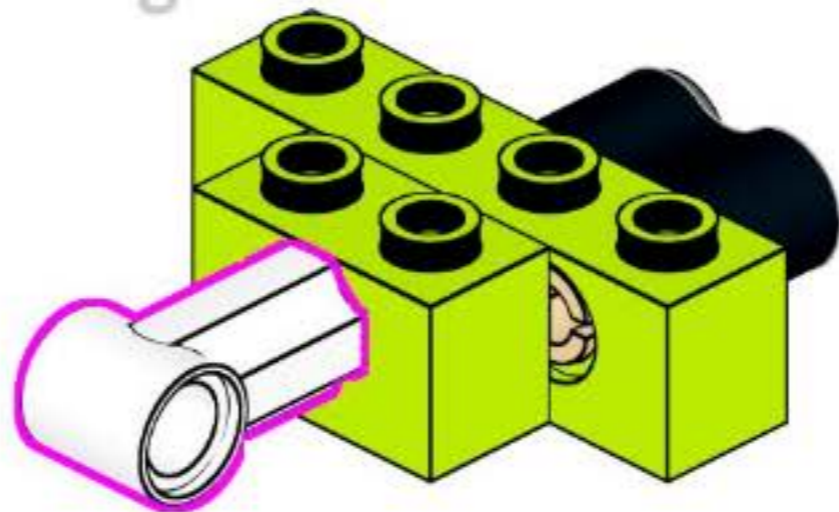
Gergert's lab



Gergert's lab

Gergert's lab

Gergert's lab



Gergert's lab

Gergert's lab

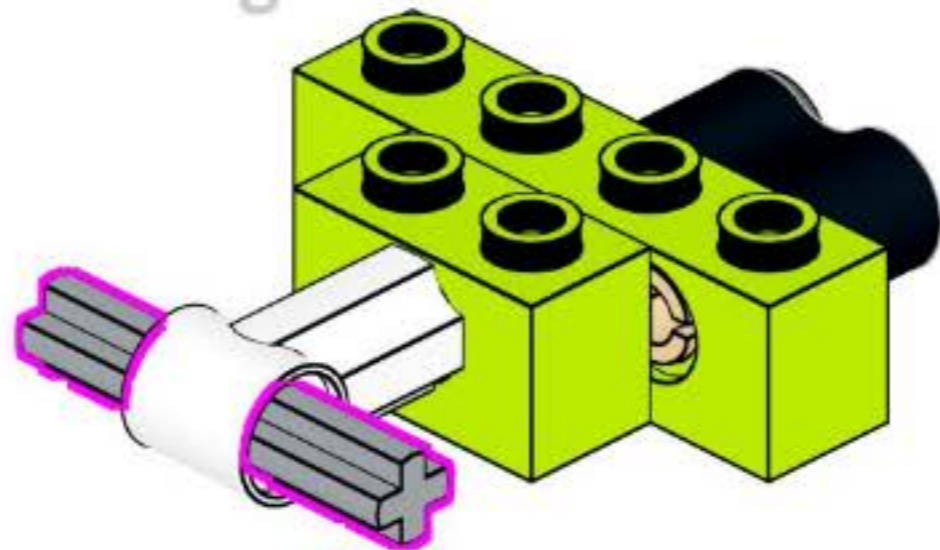
Gergert's lab



Gergert's lab

Gergert's lab

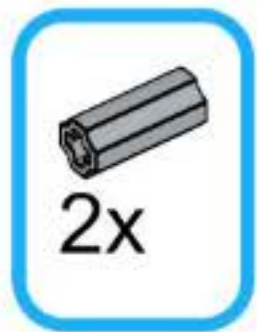
Gergert's lab



Gergert's lab

Gergert's lab

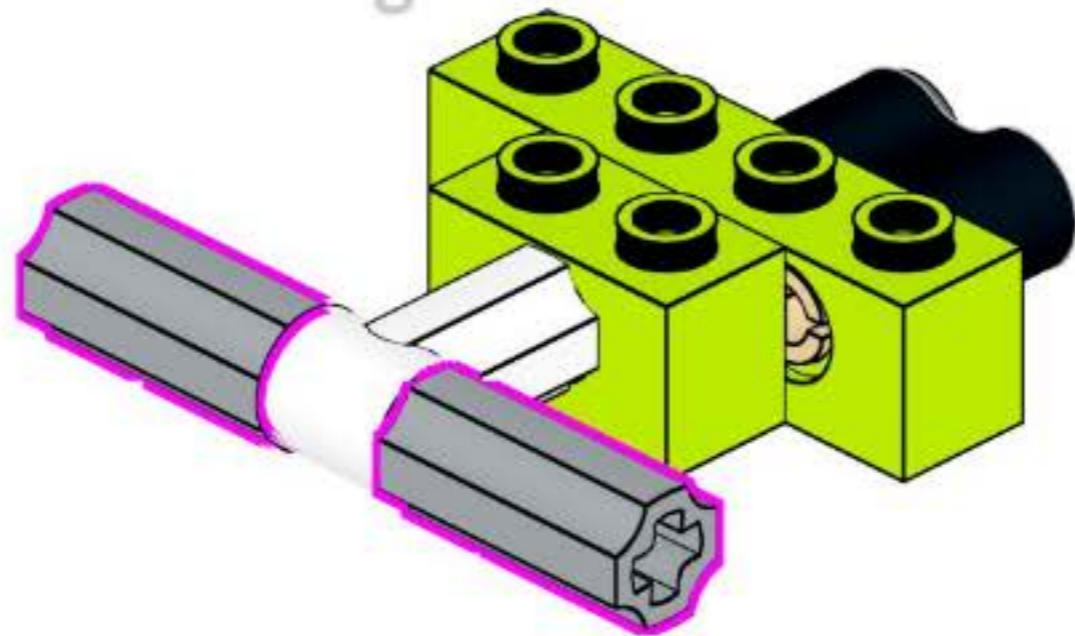
Gergert's lab



Gergert's lab

Gergert's lab

Gergert's lab



Gergert's lab

Gergert's lab

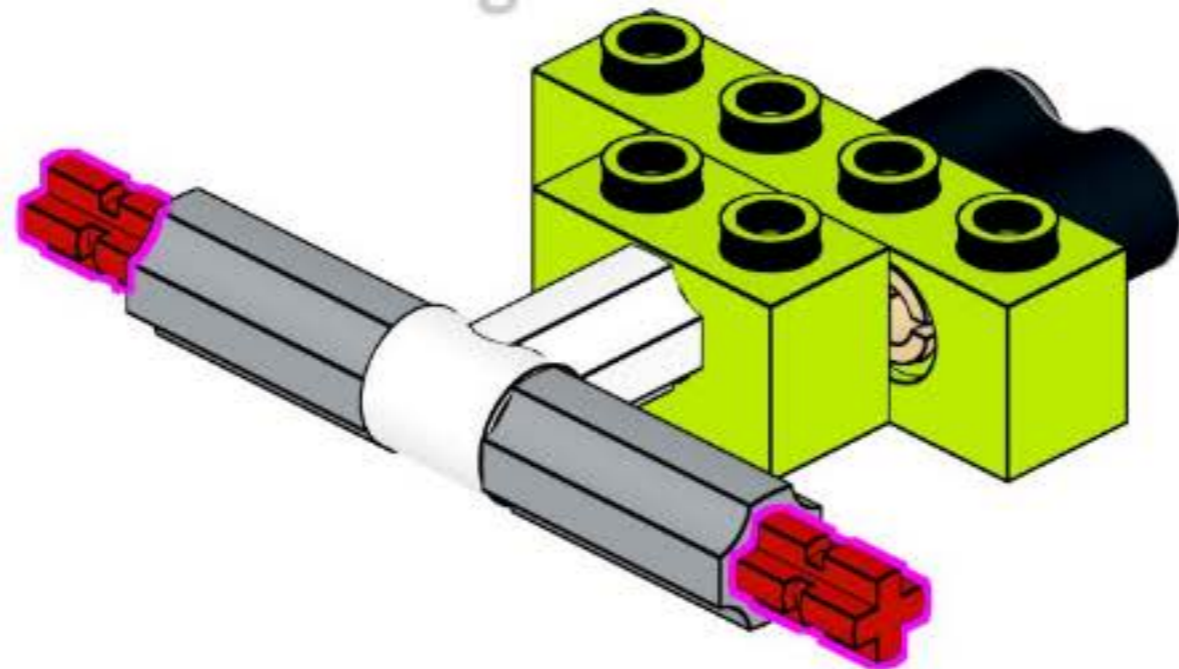
Gergert's lab



Gergert's lab

Gergert's lab

Gergert's lab



Gergert's lab

Gergert's lab

Gergert's lab



2x

2x

t's lab

Gergert's lab

Gergert's lab



Gergert's lab

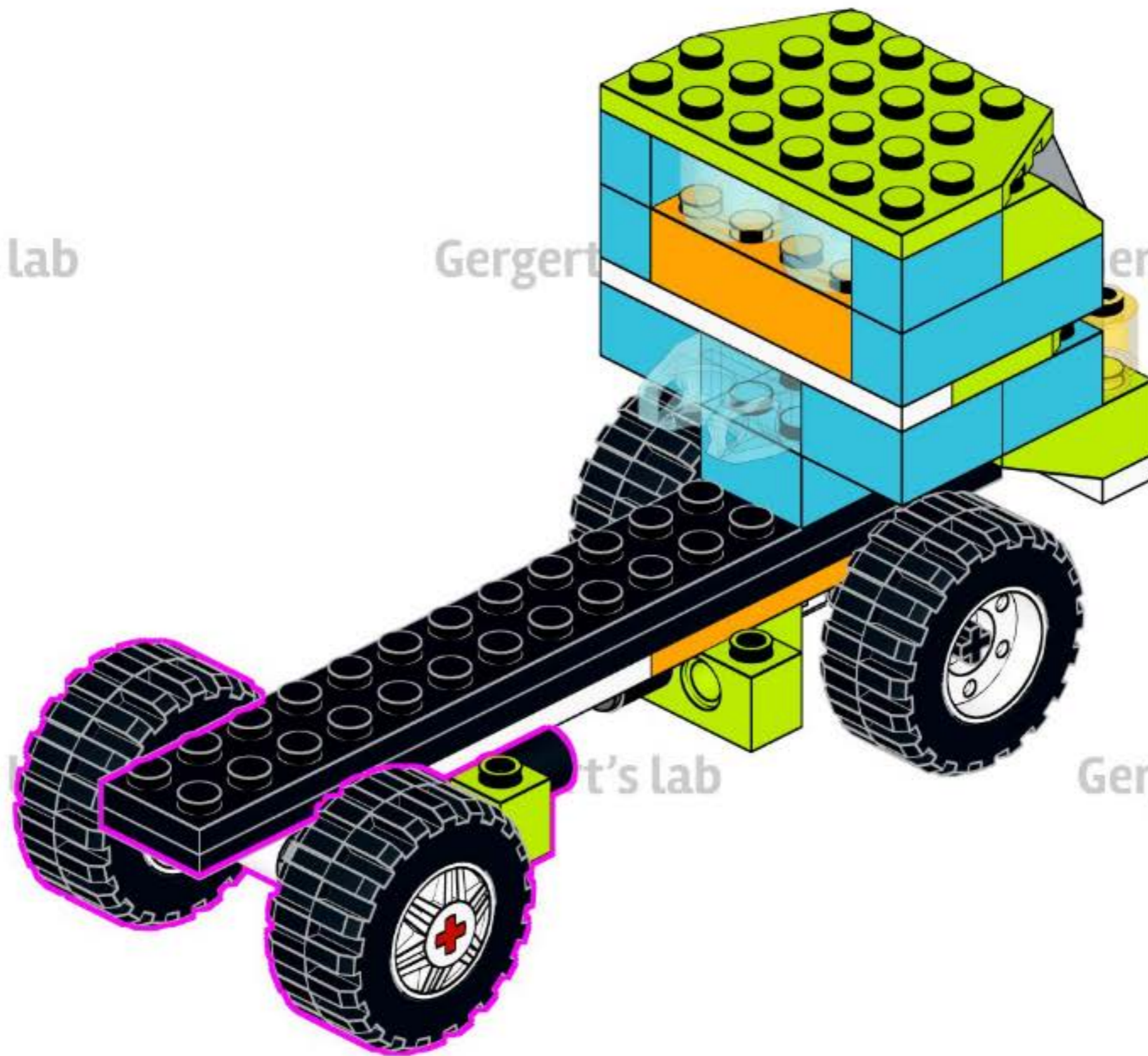
Gerg

Gergert's lab

Gergert's lab

Gergert's lab

Gergert's lab



Gergert's lab

Gergert's lab

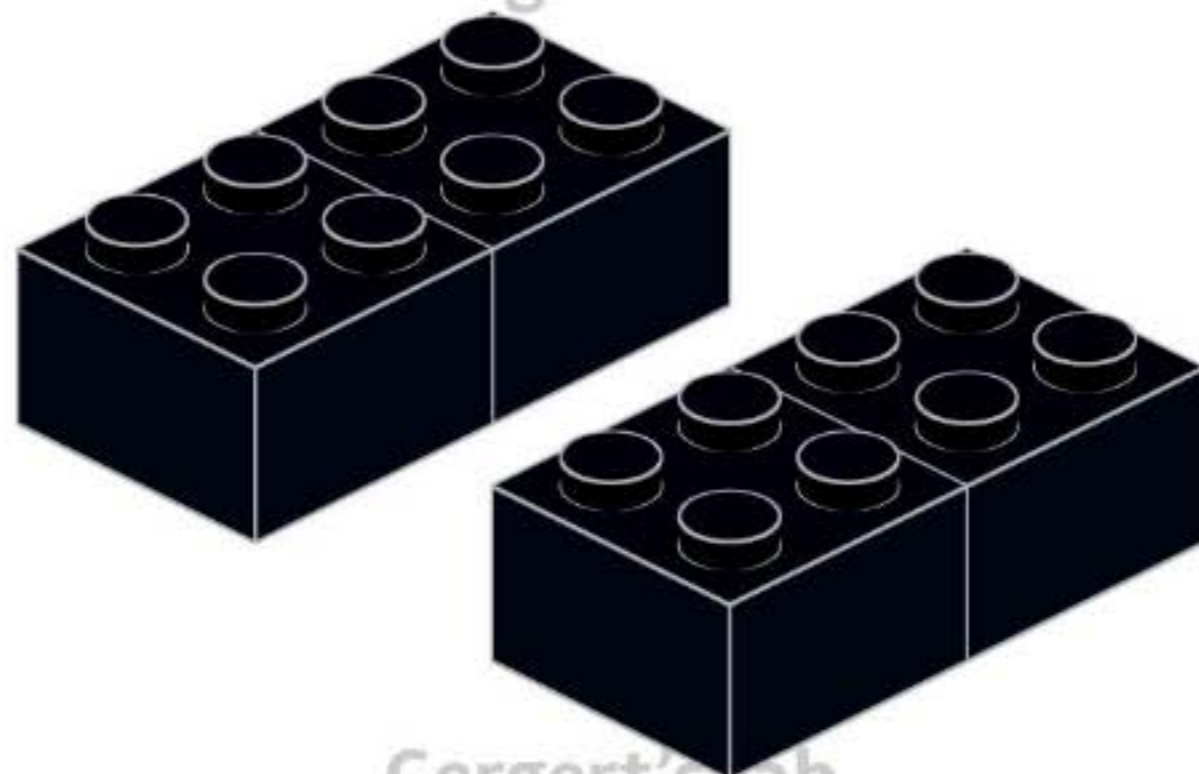
Gergert's lab



Gergert's lab

Gergert's lab

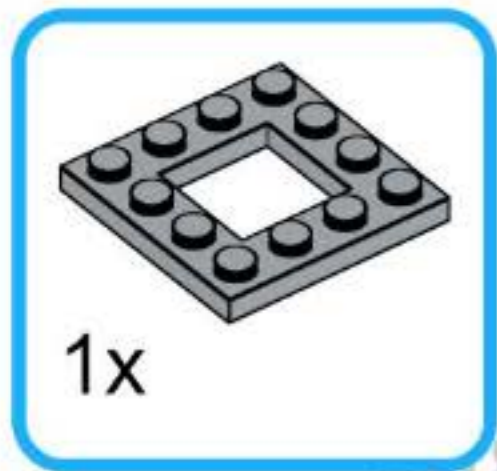
Gergert's lab



Gergert's lab

Gergert's lab

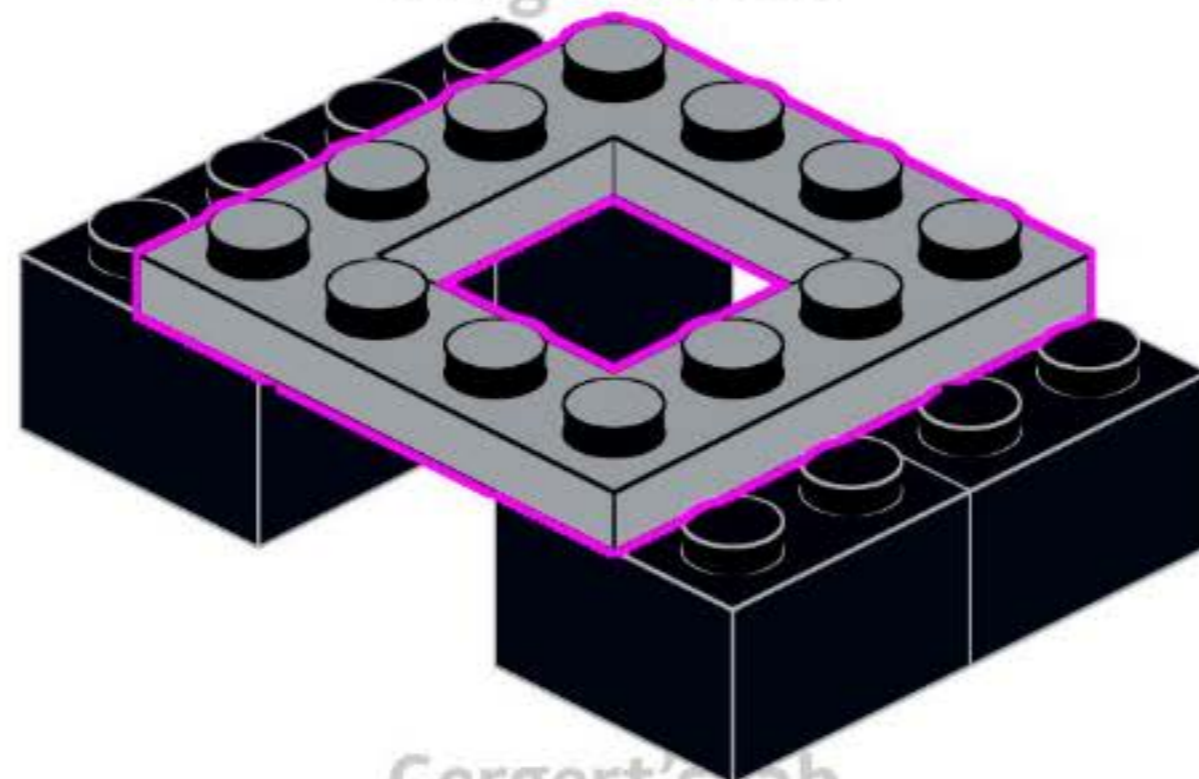
Gergert's lab



Gergert's lab

Gergert's lab

Gergert's lab



Gergert's lab

Gergert's lab

Gergert's lab

Gergert's lab

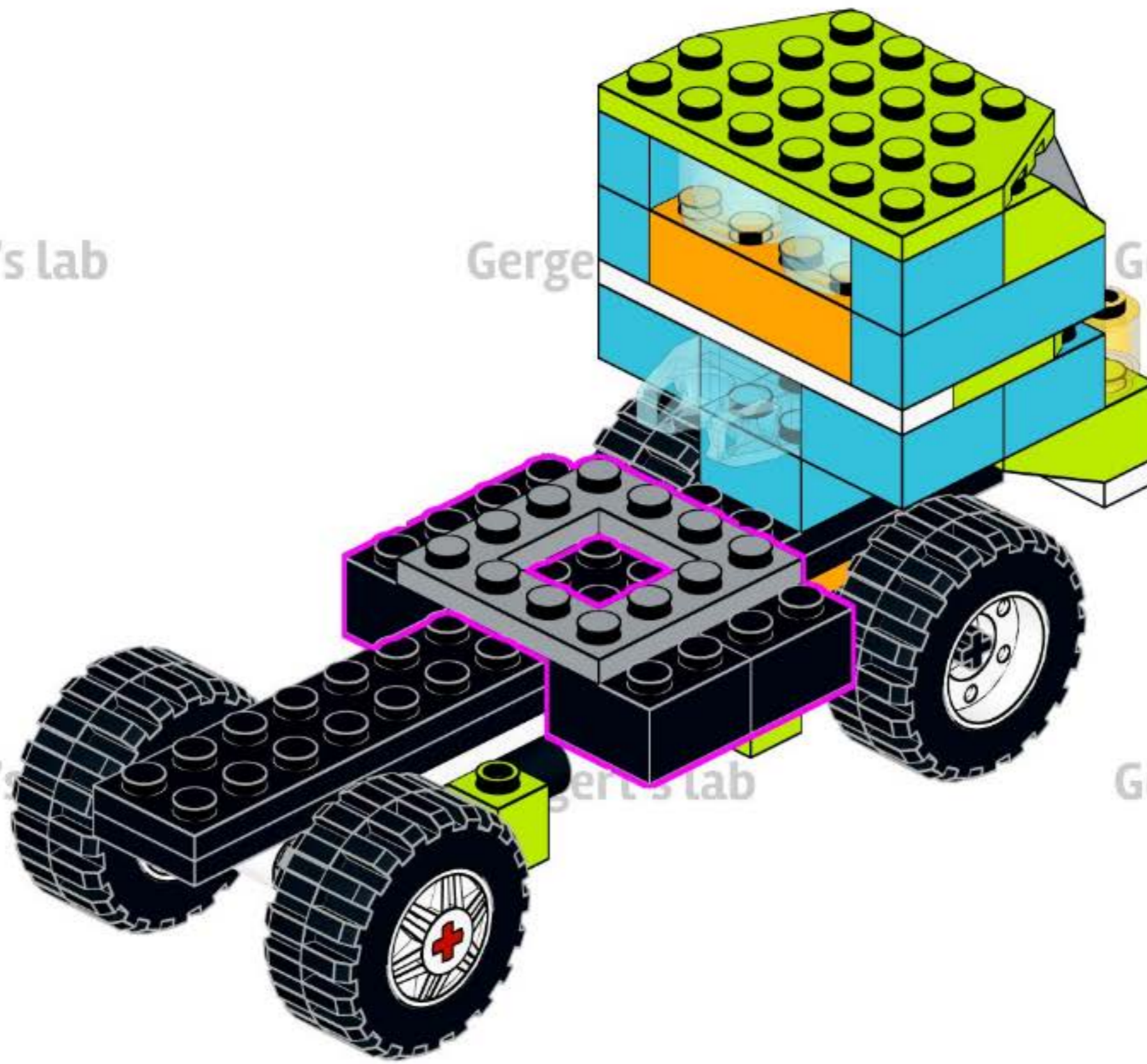
Gerge

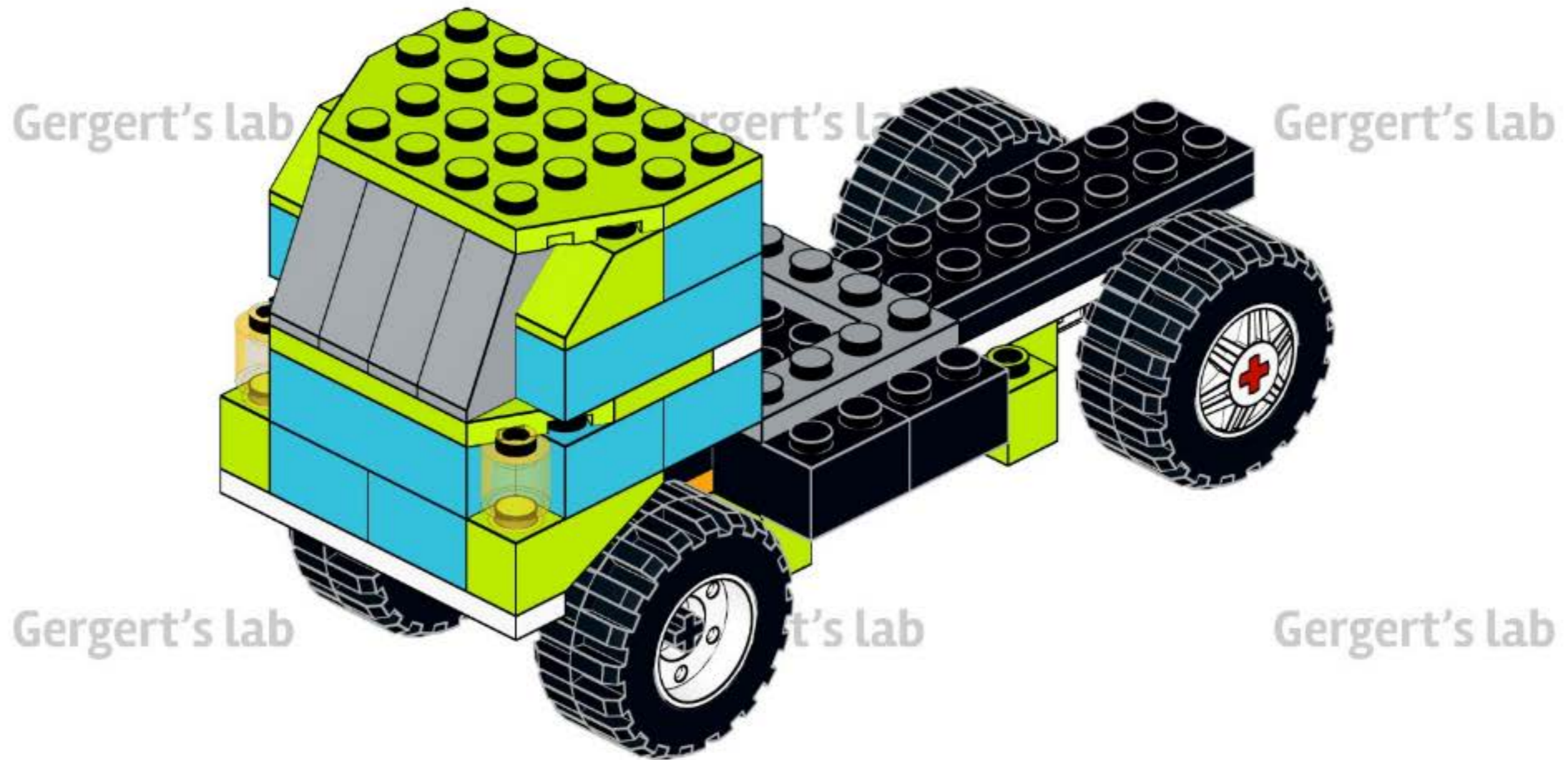
Gergert's lab

Gergert's

gert's lab

Gergert's lab





Gergert's lab

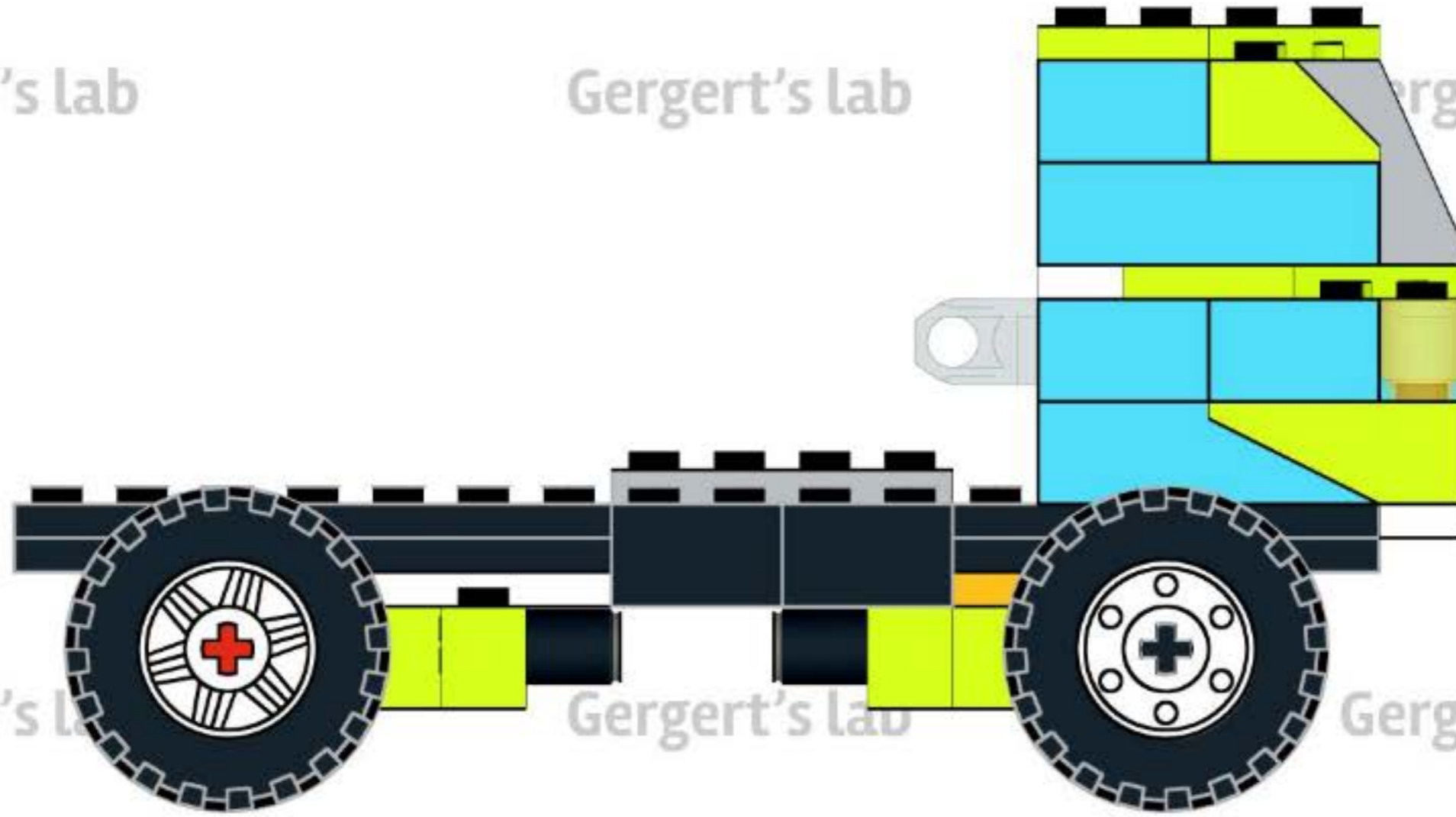
Gergert's lab

Gergert's lab

Gergert's lab

Gergert's lab

Gergert's lab



Gergert's lab

Gergert's lab

Gergert's lab

Gergert's lab

Gergert's lab

Gergert's lab

