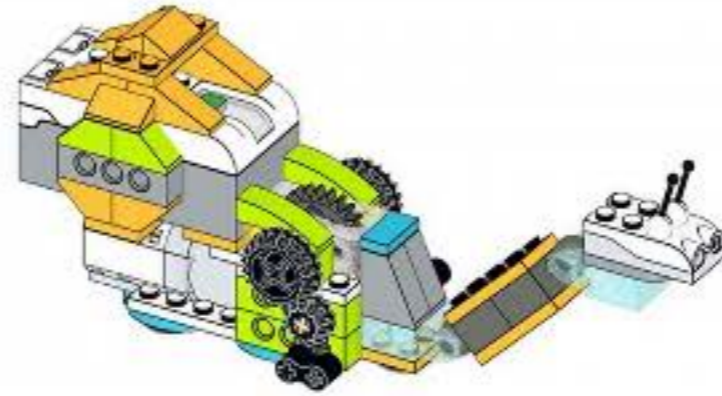
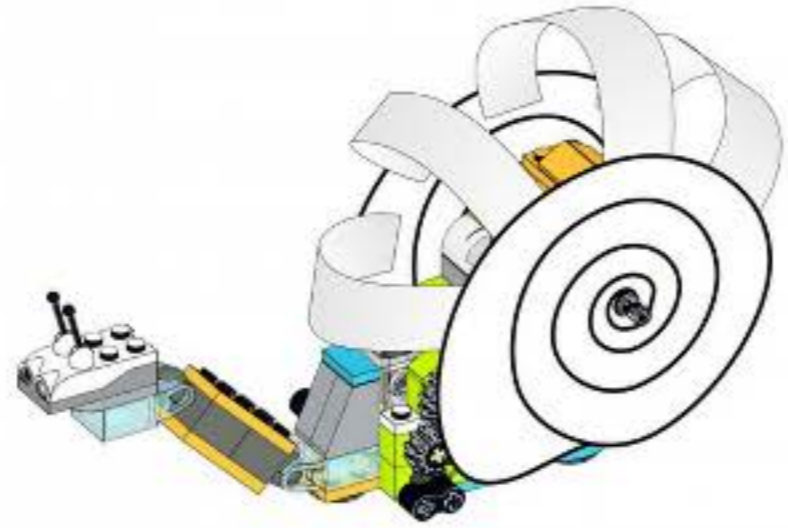


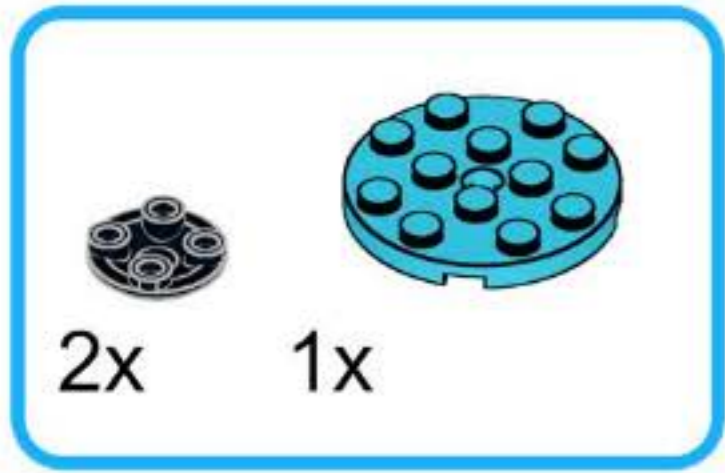
snail robot
unofficial building instruction



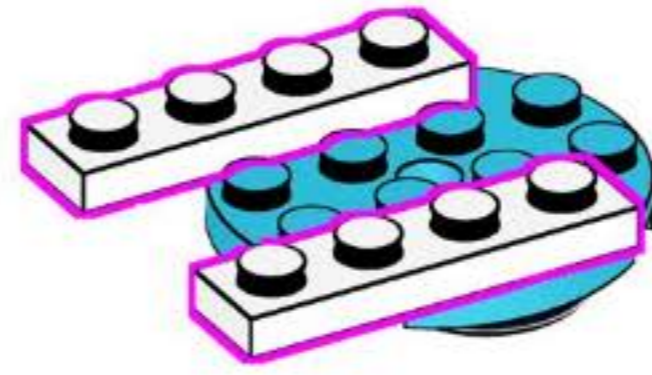
Snail

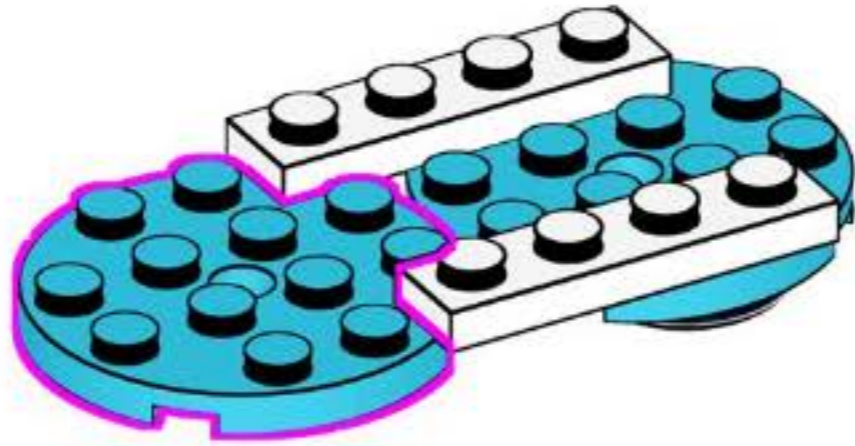
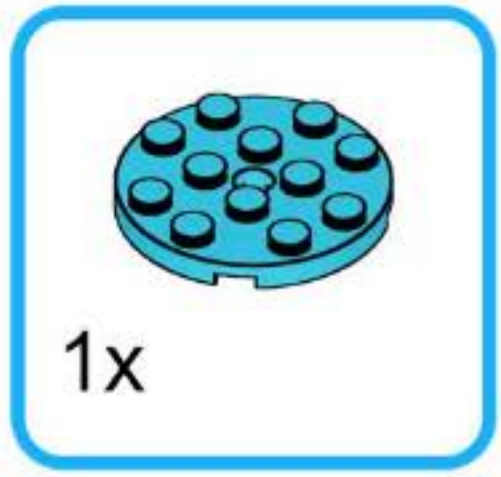
for Lego® WeDo 2.0
45300

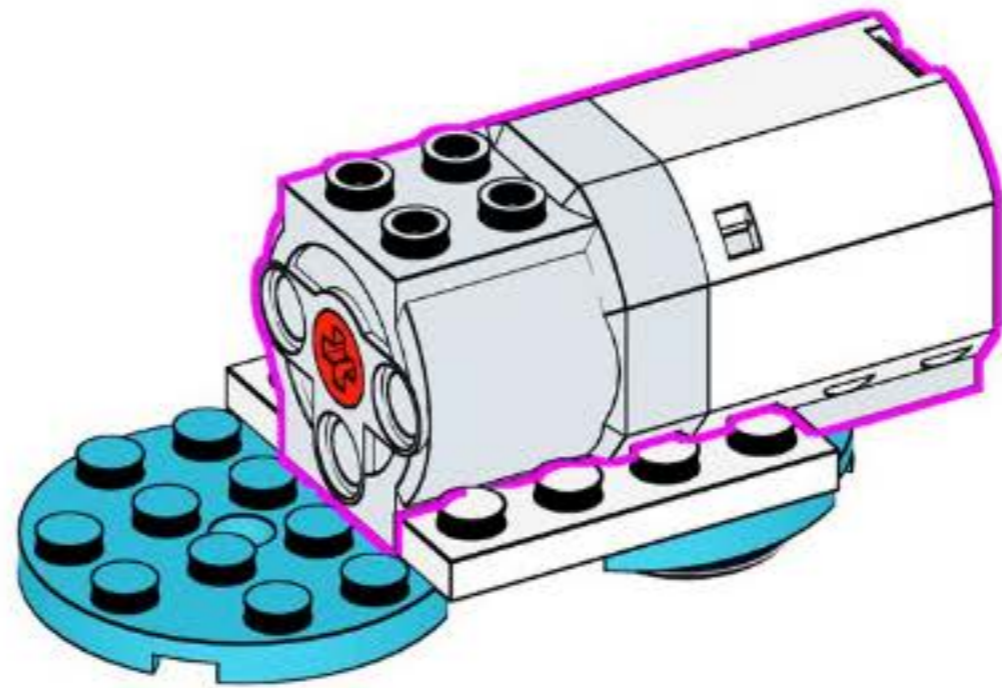
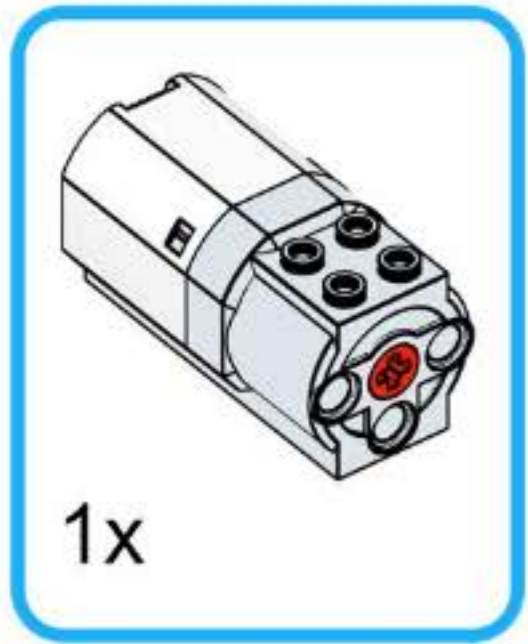
Gergert's lab

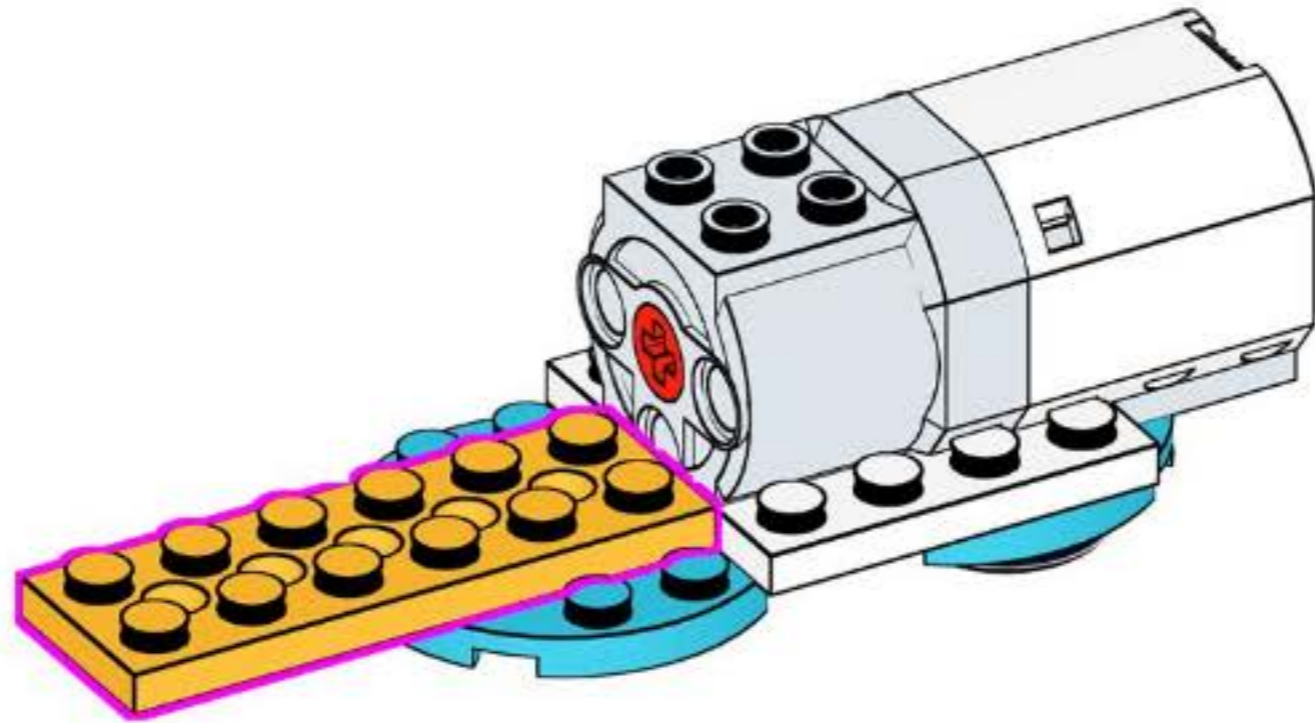
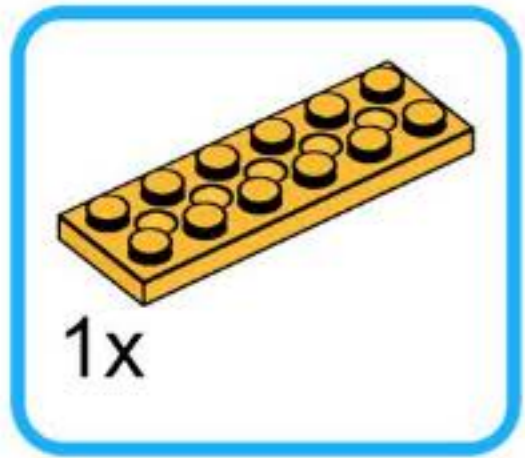


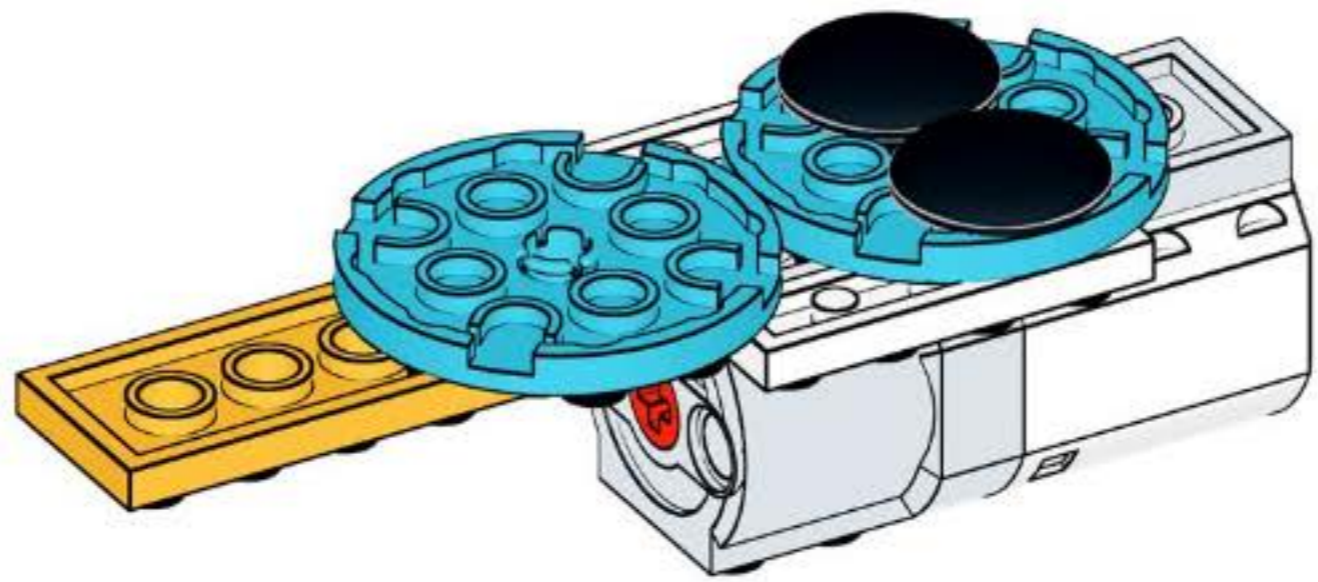


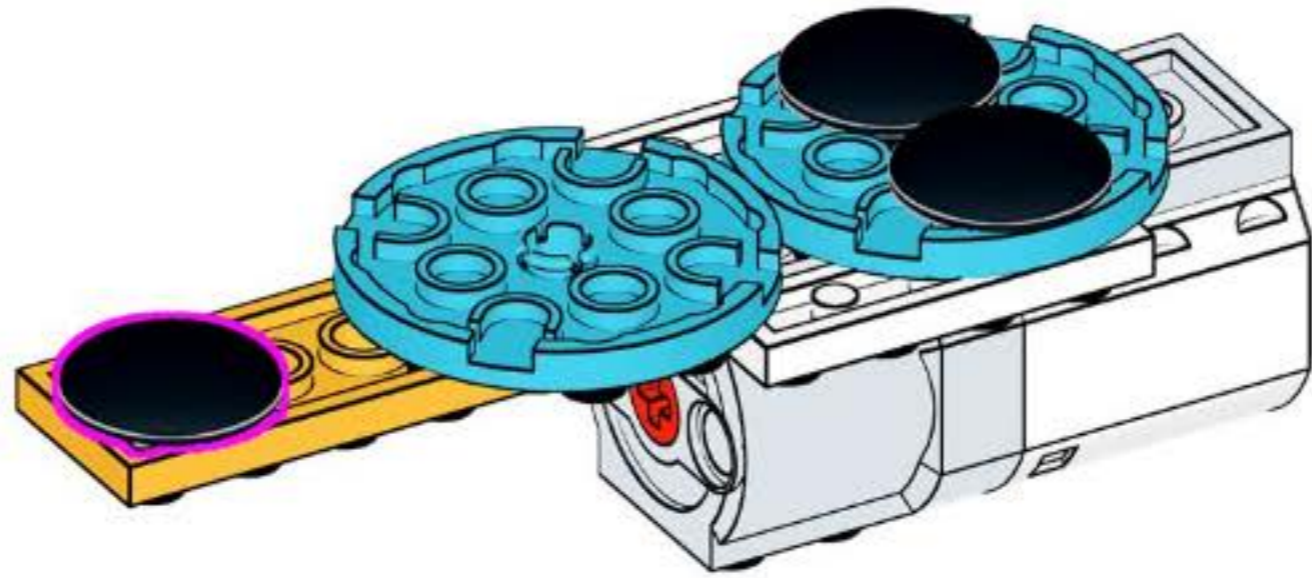


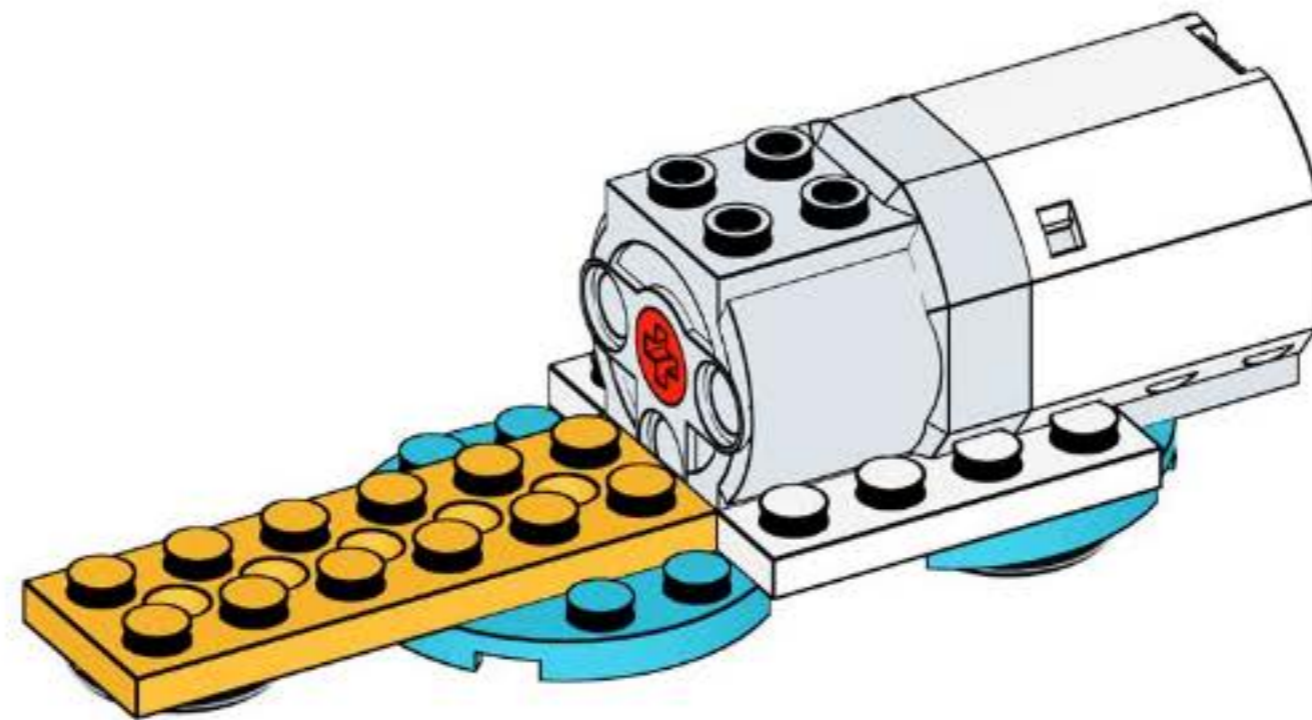














1x

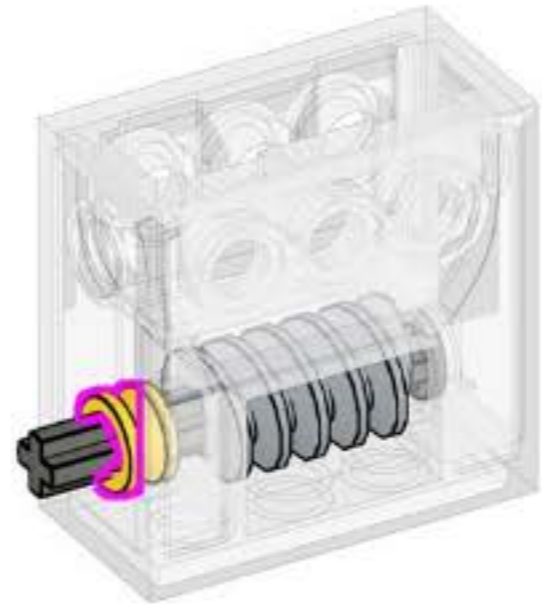


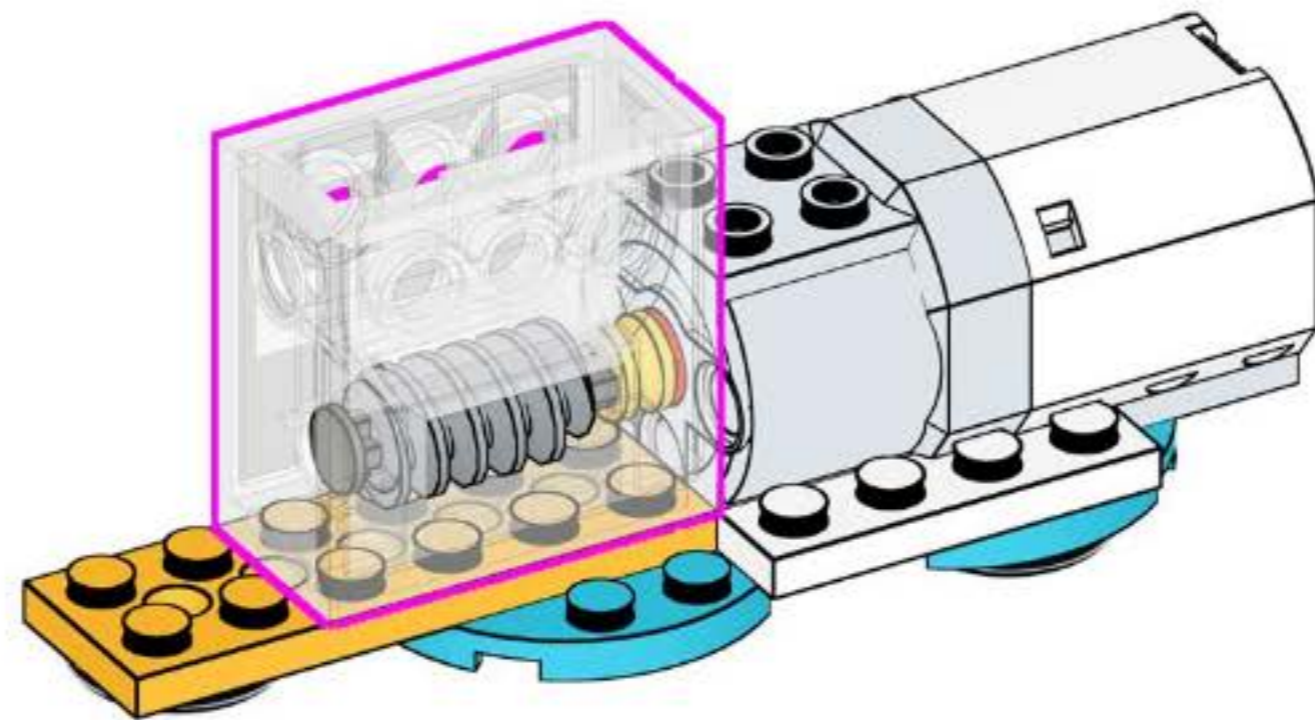
1x

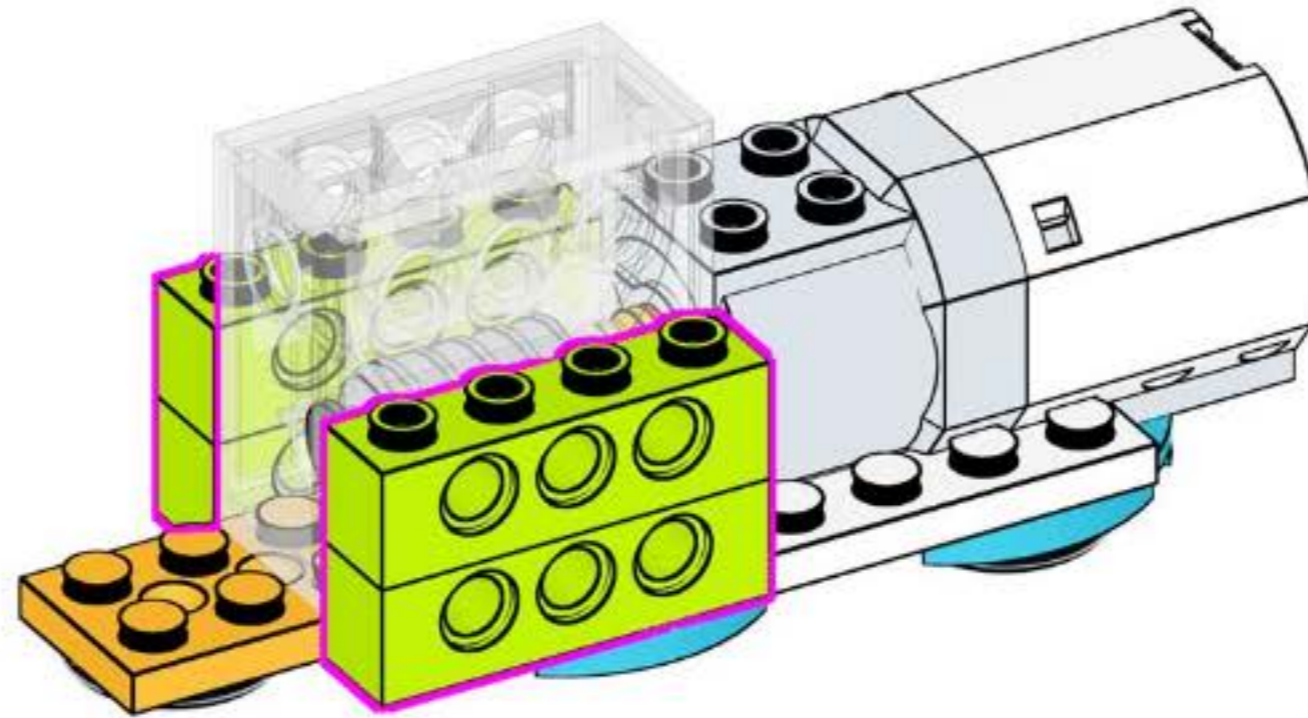
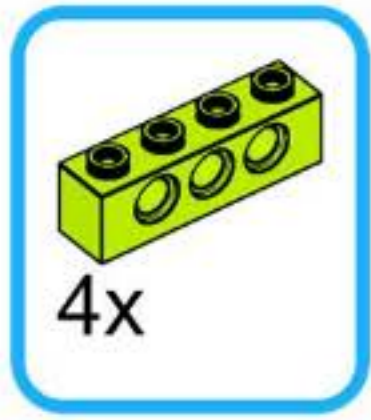


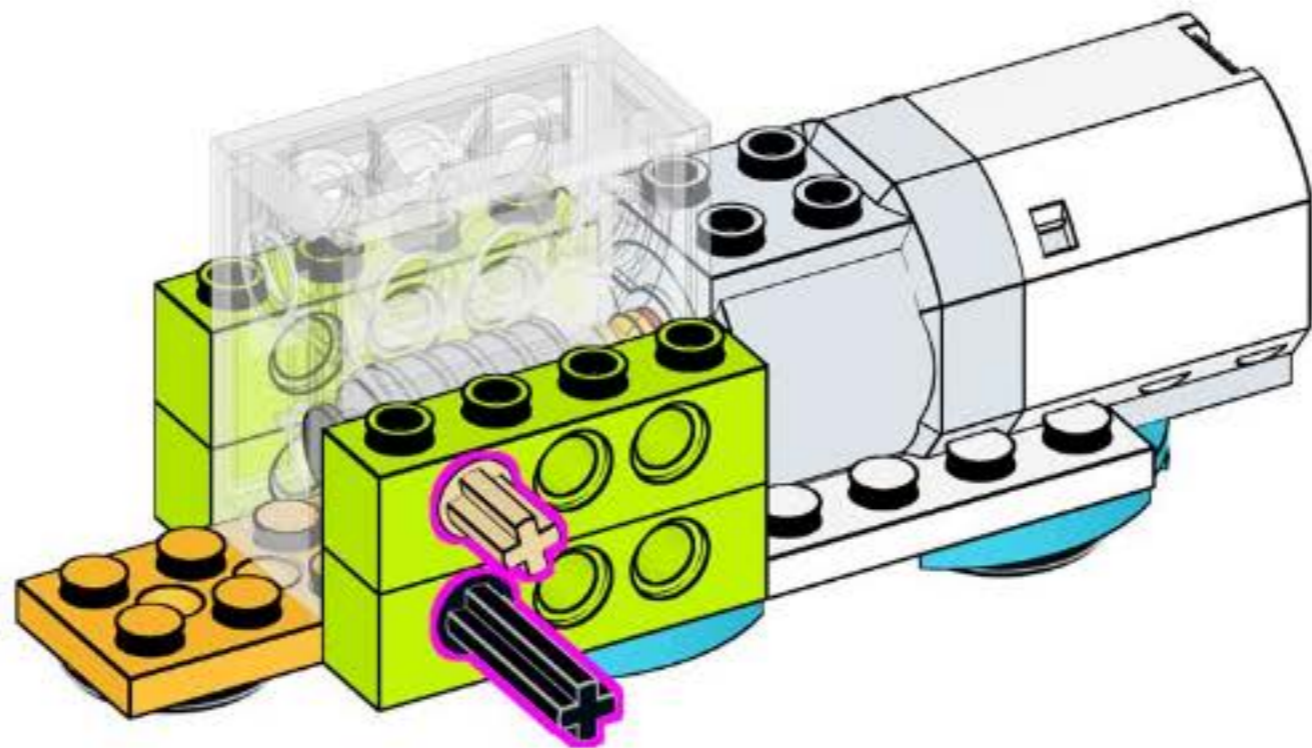
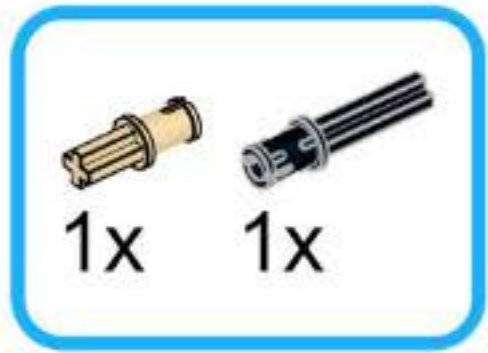
1x

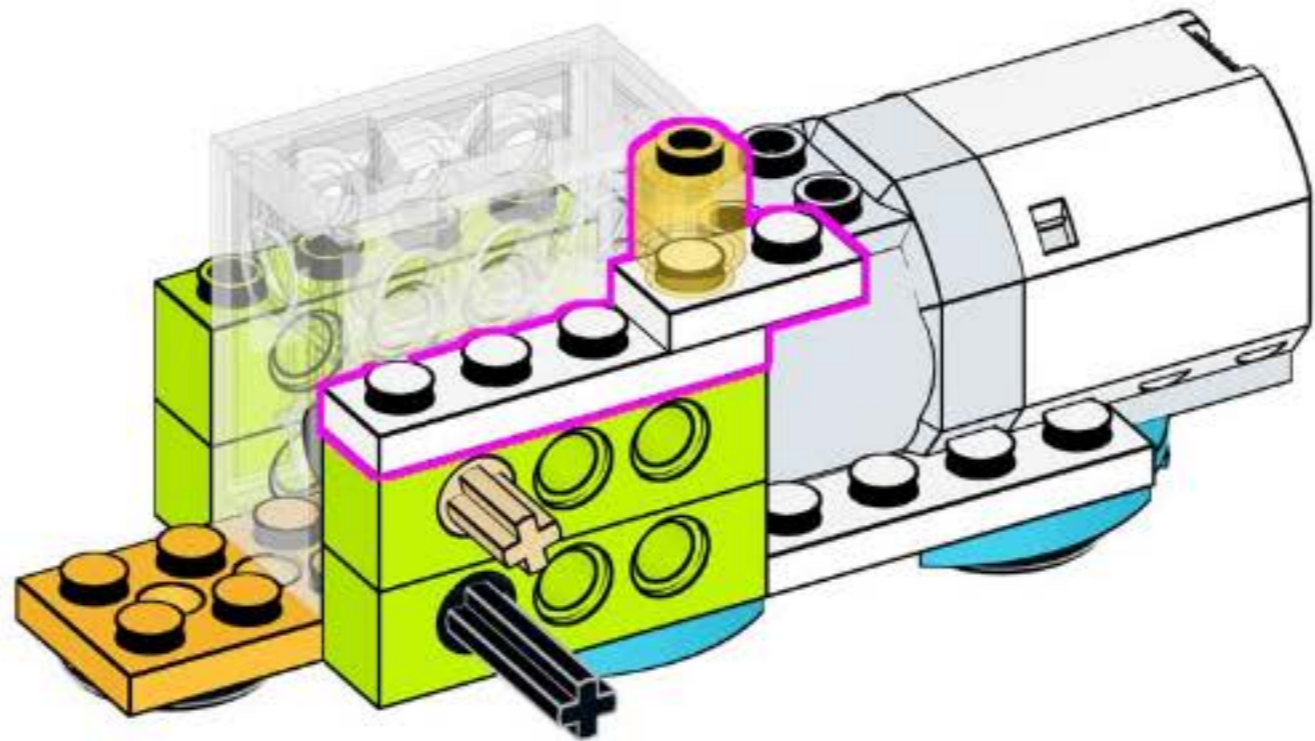
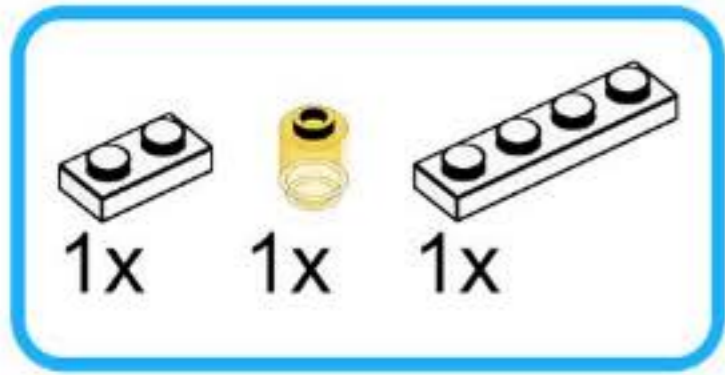


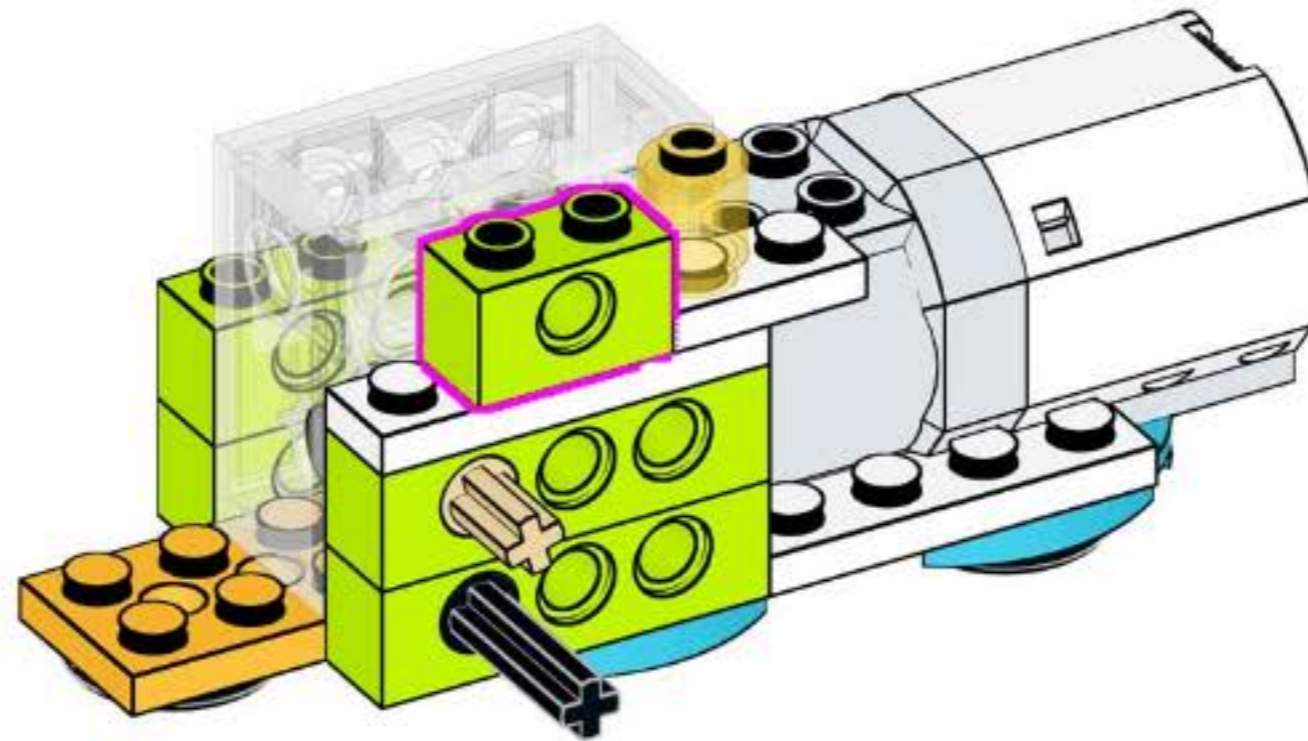
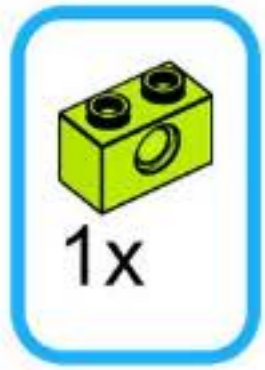






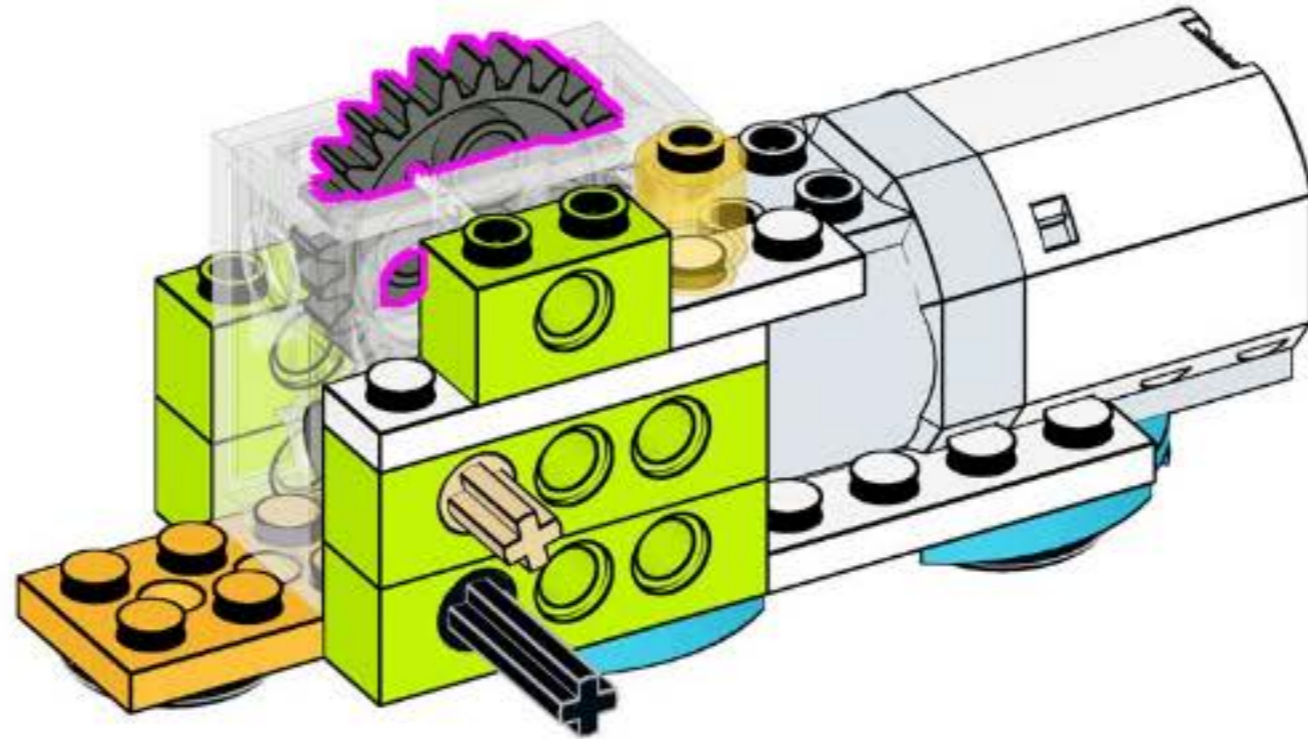


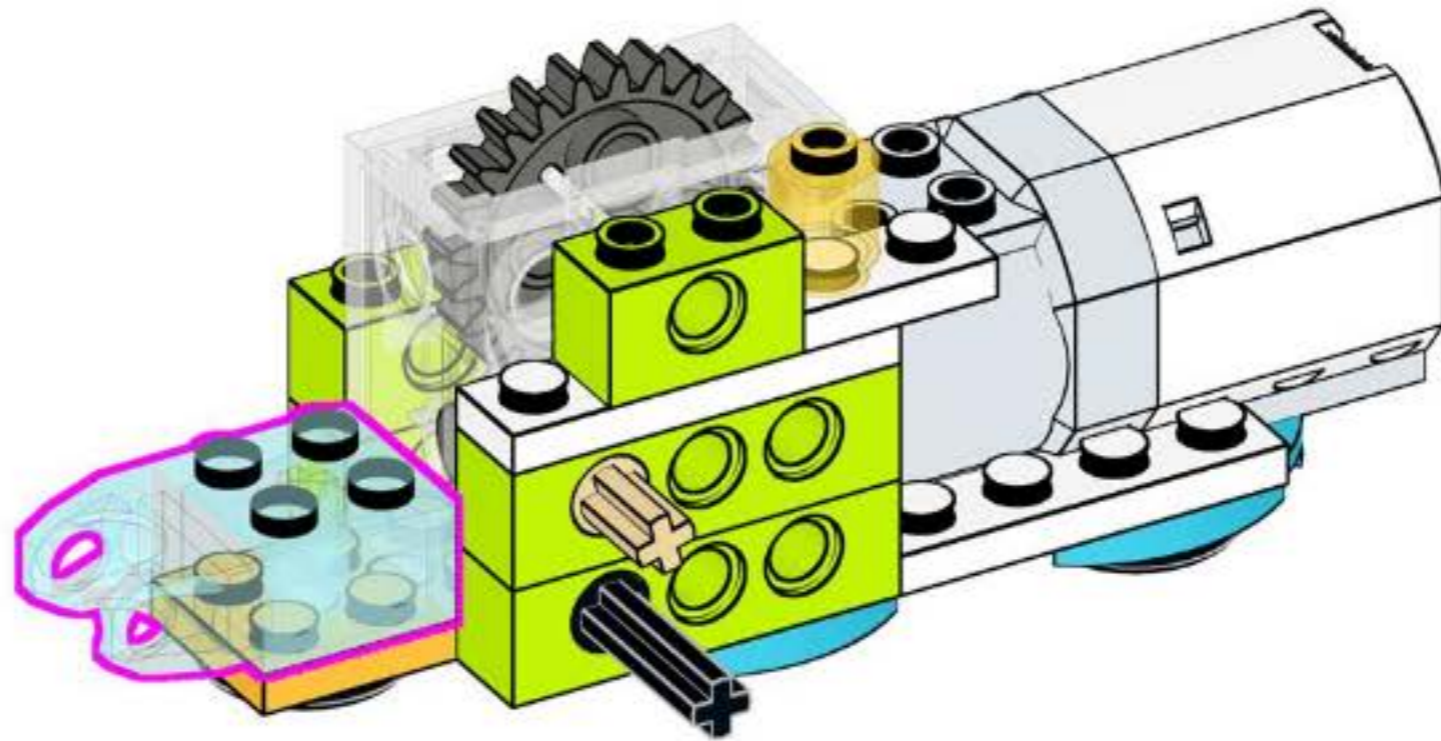
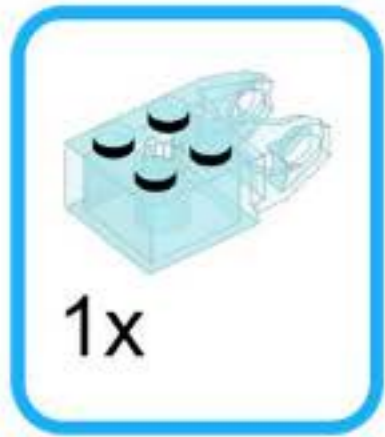


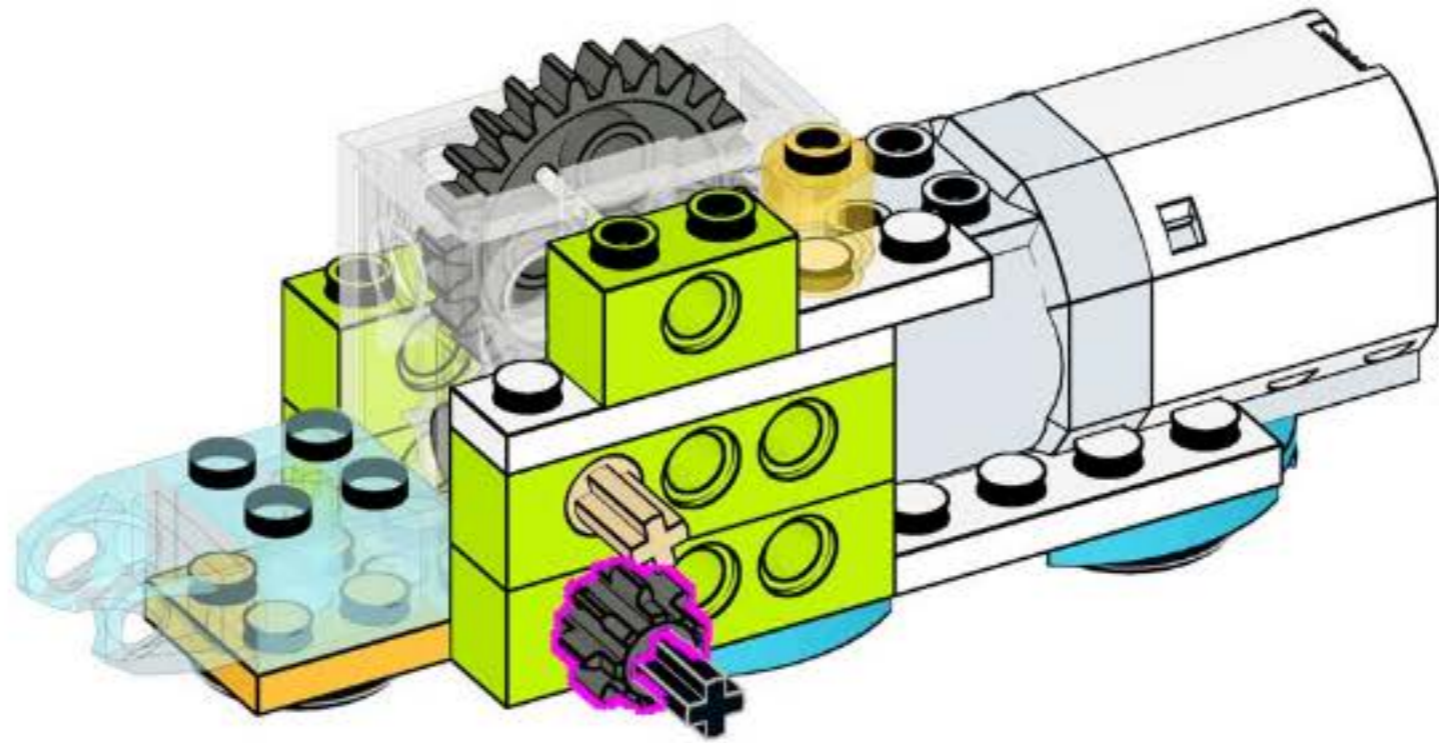
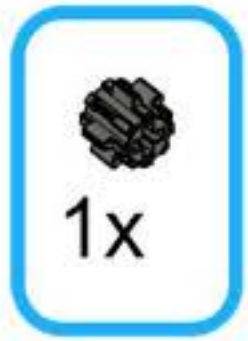


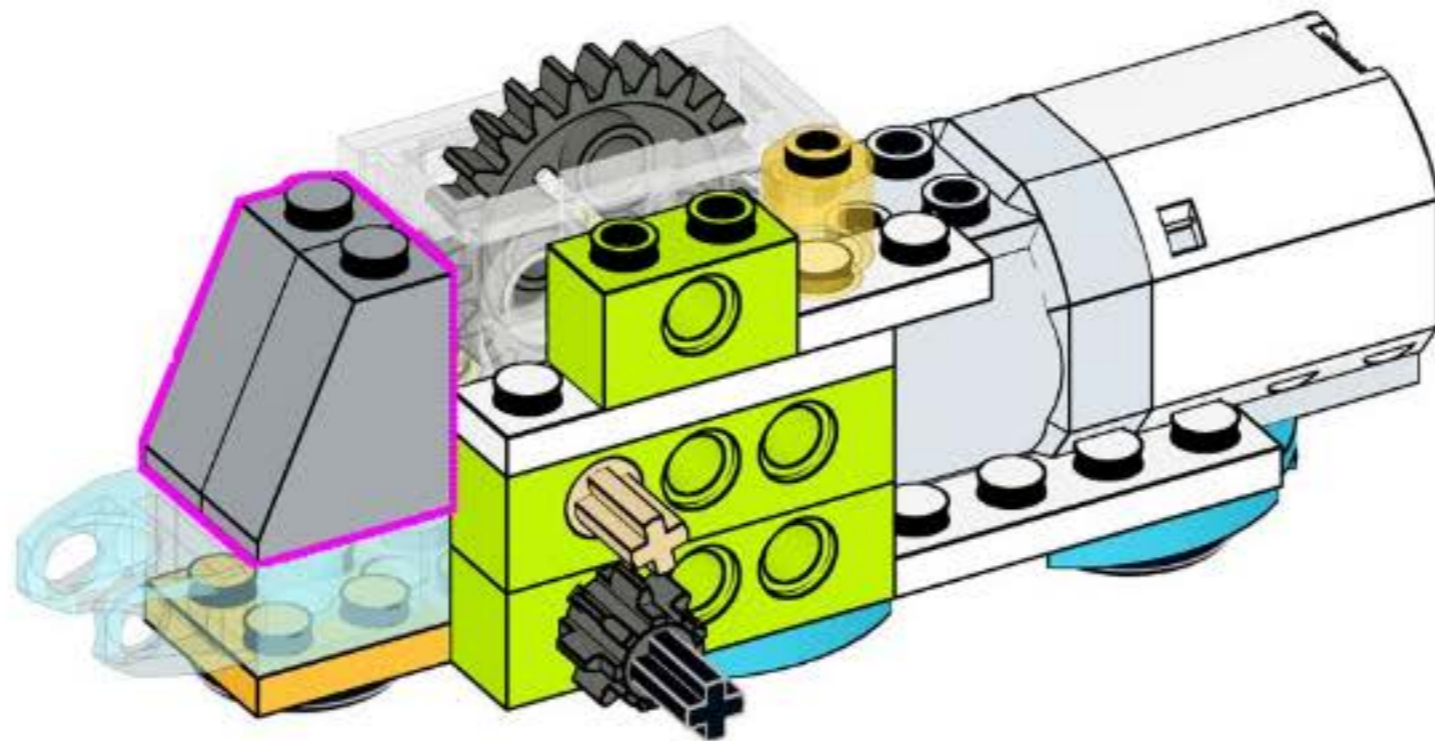
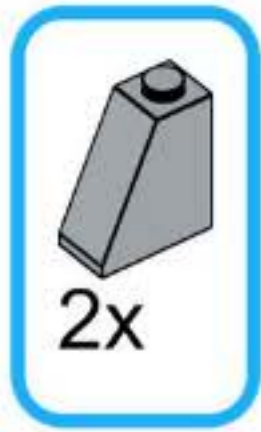


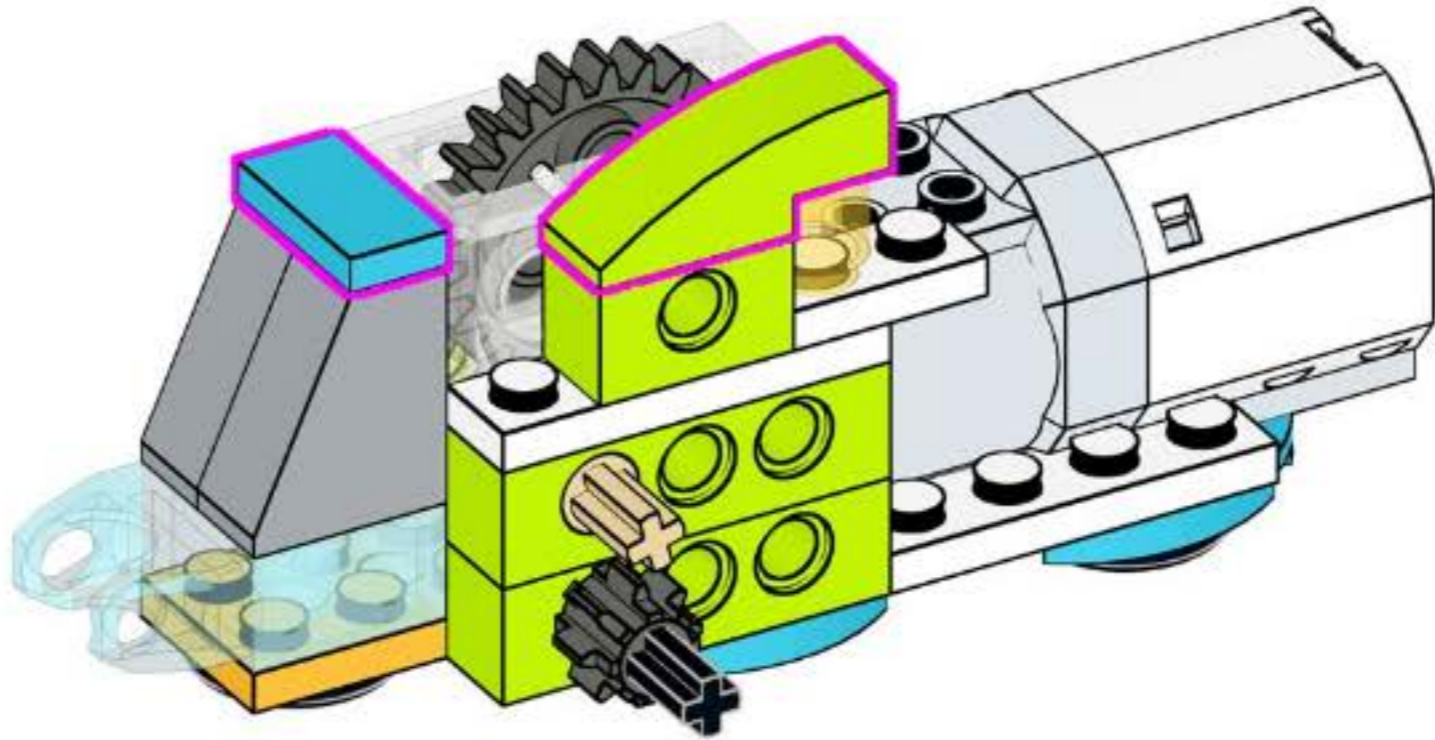
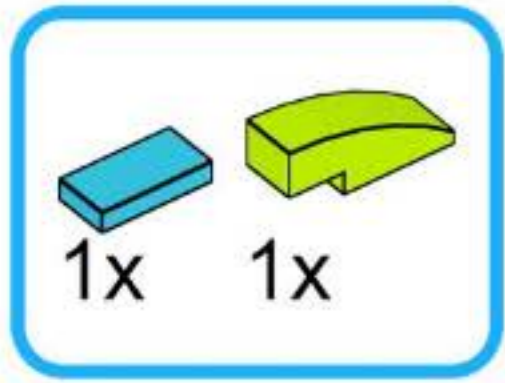
1x

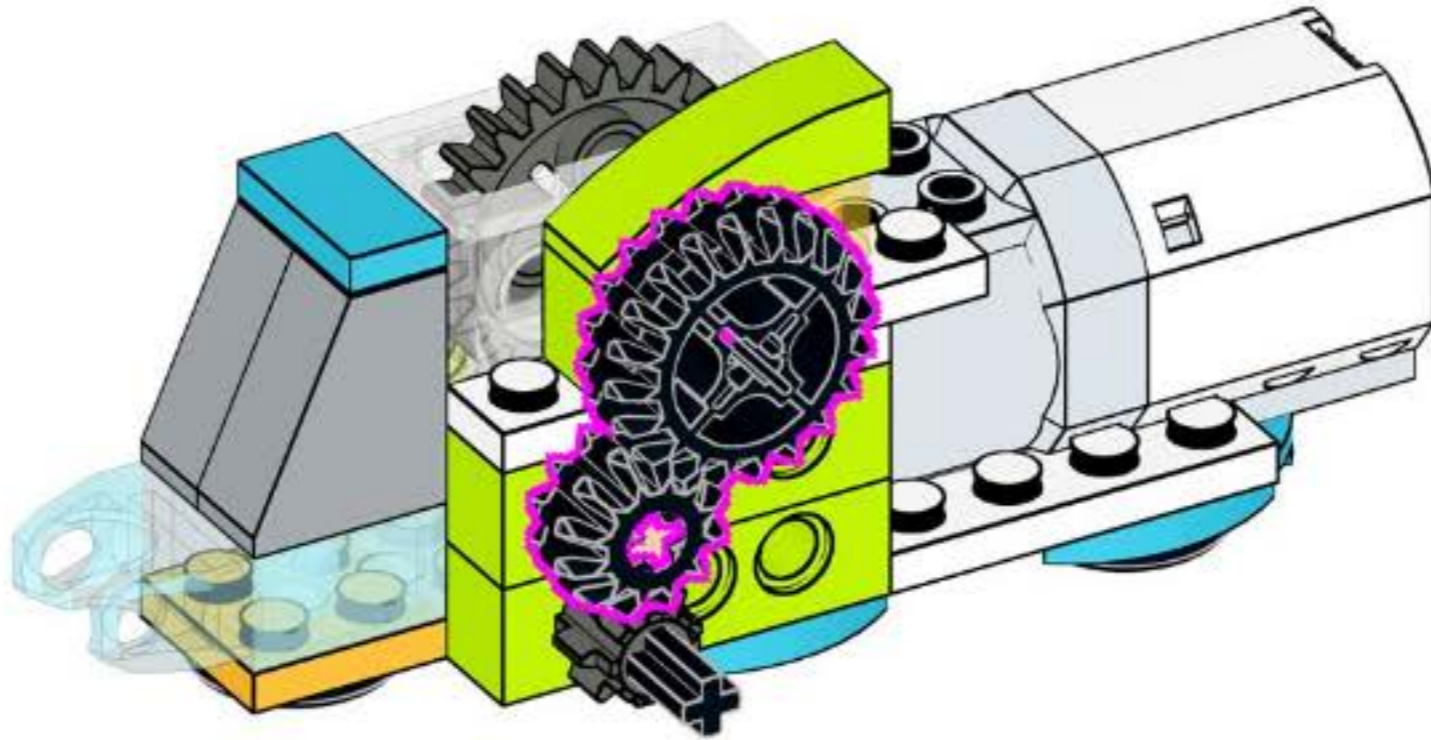


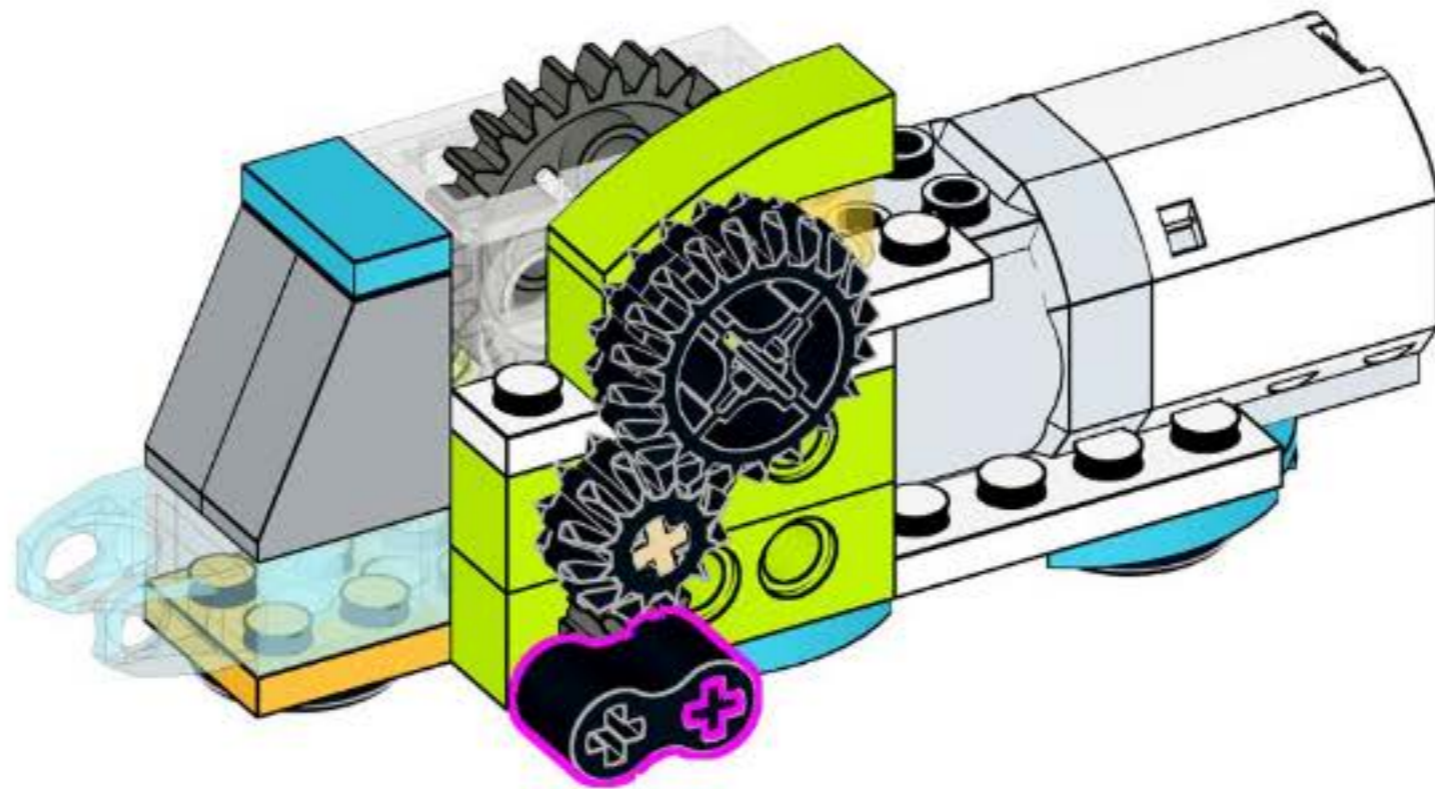


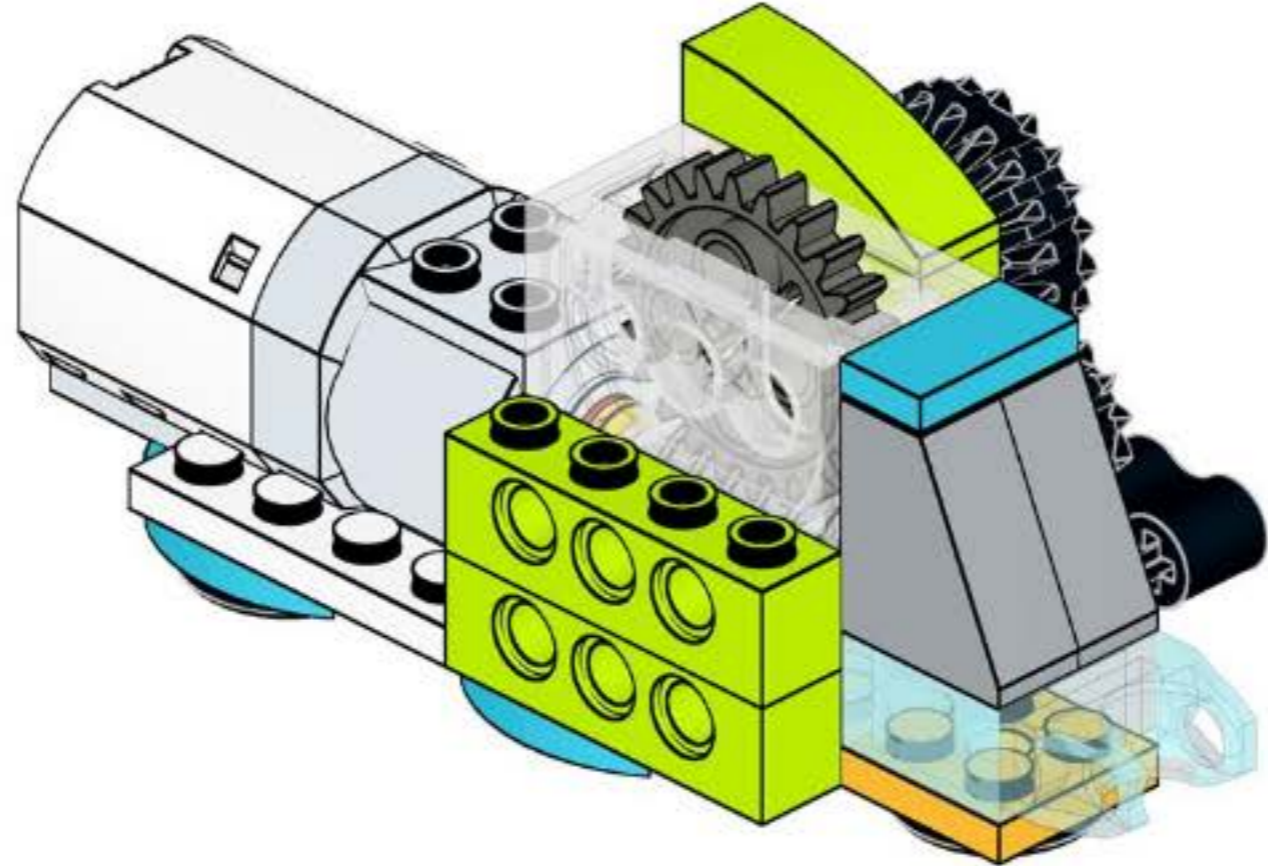


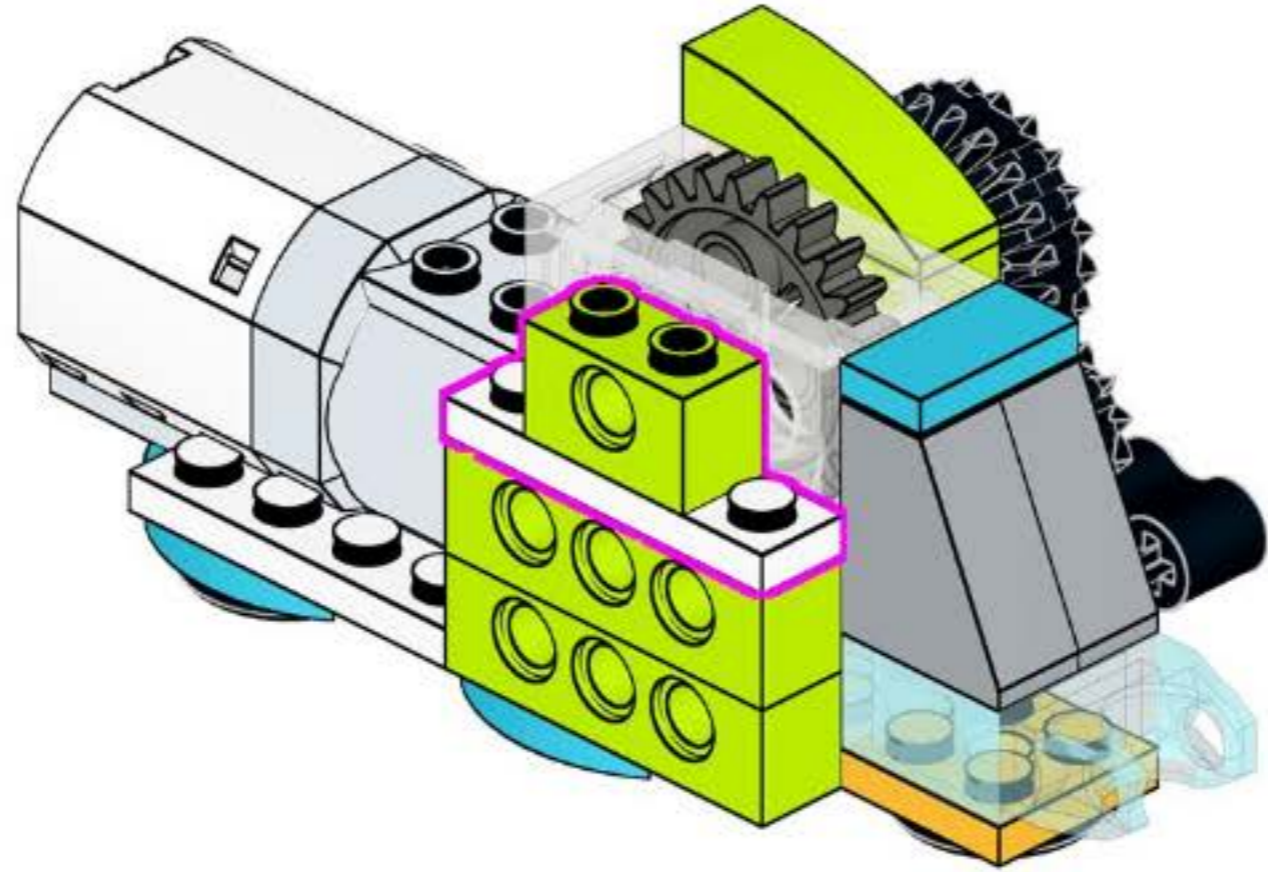
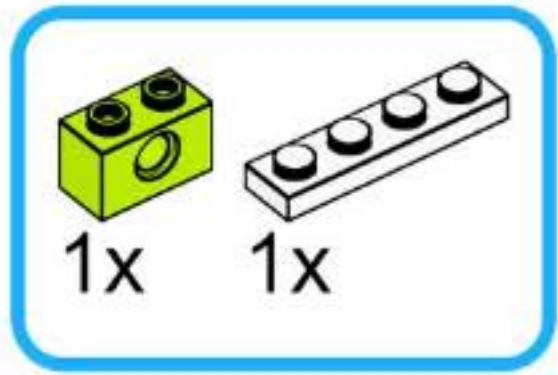


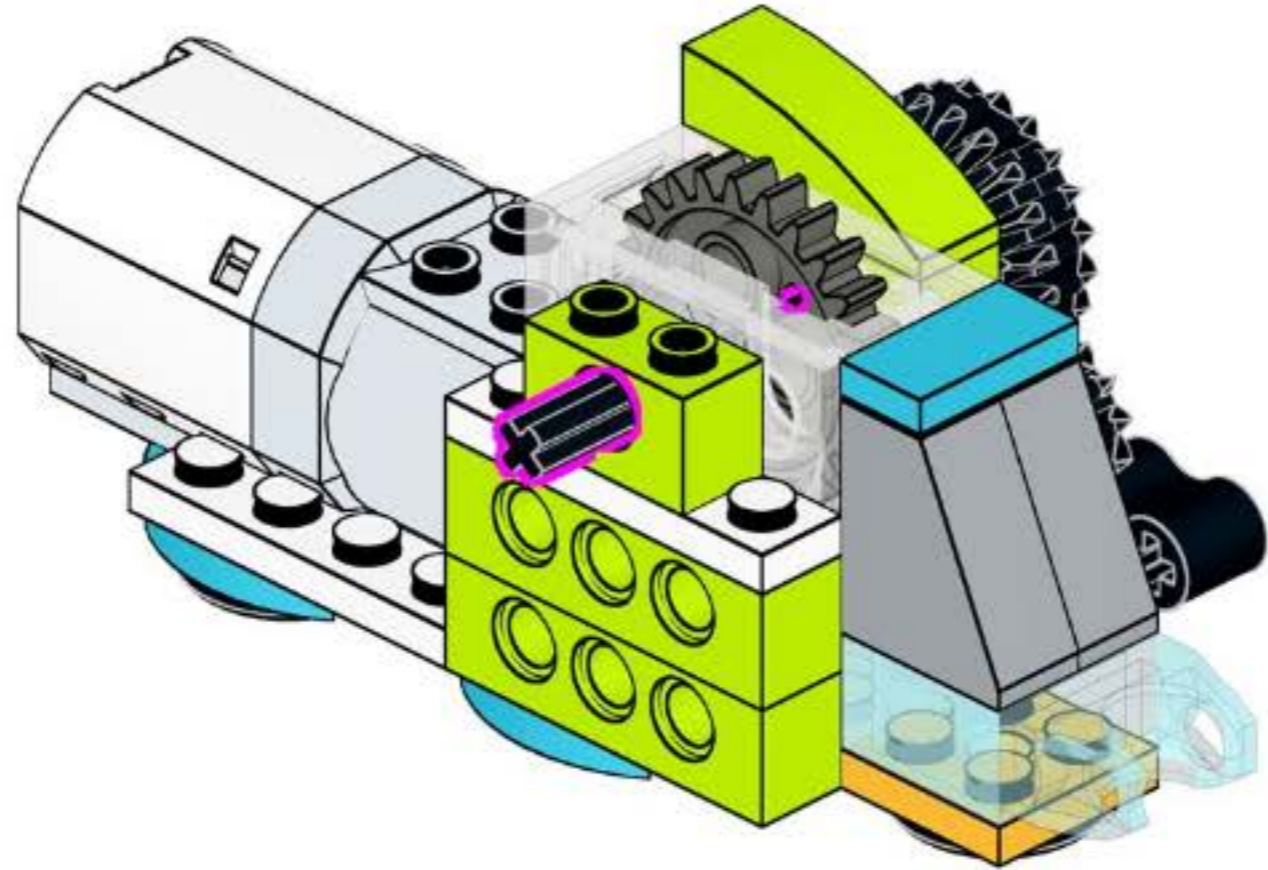


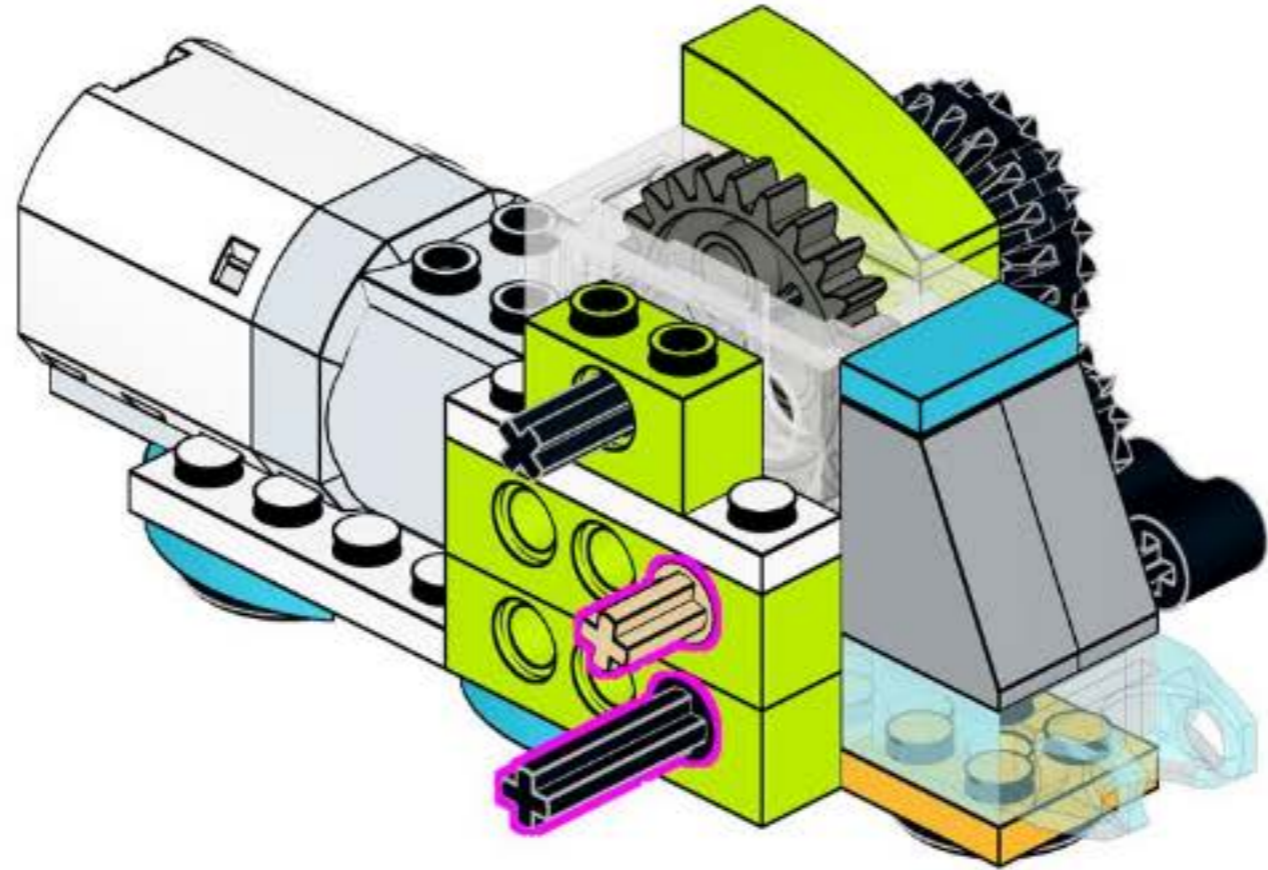
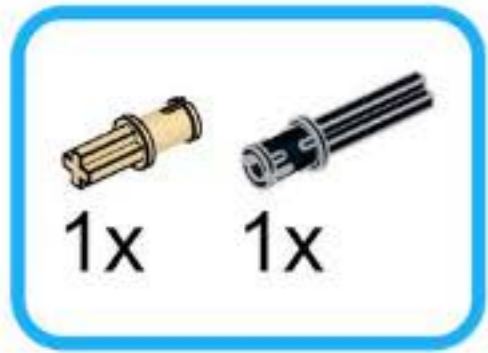


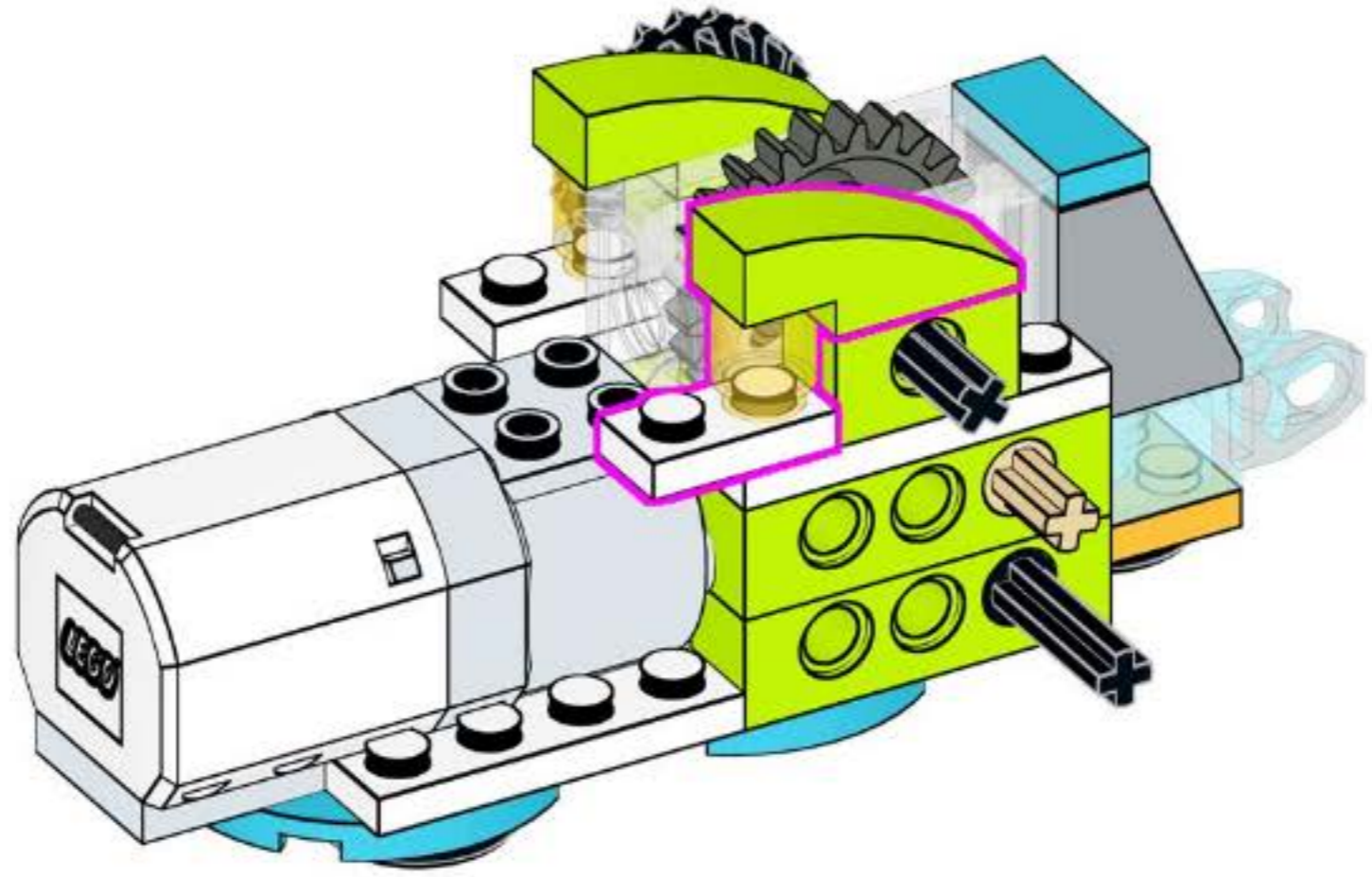
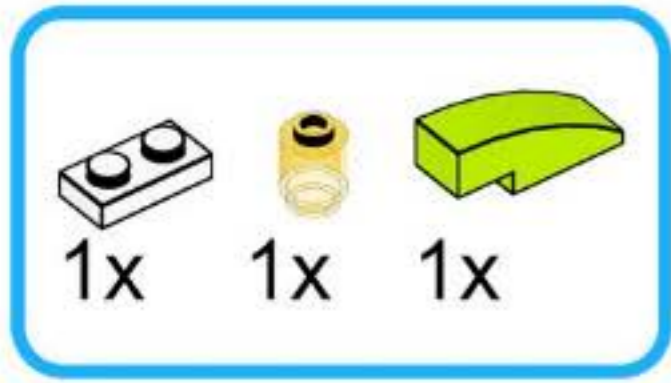


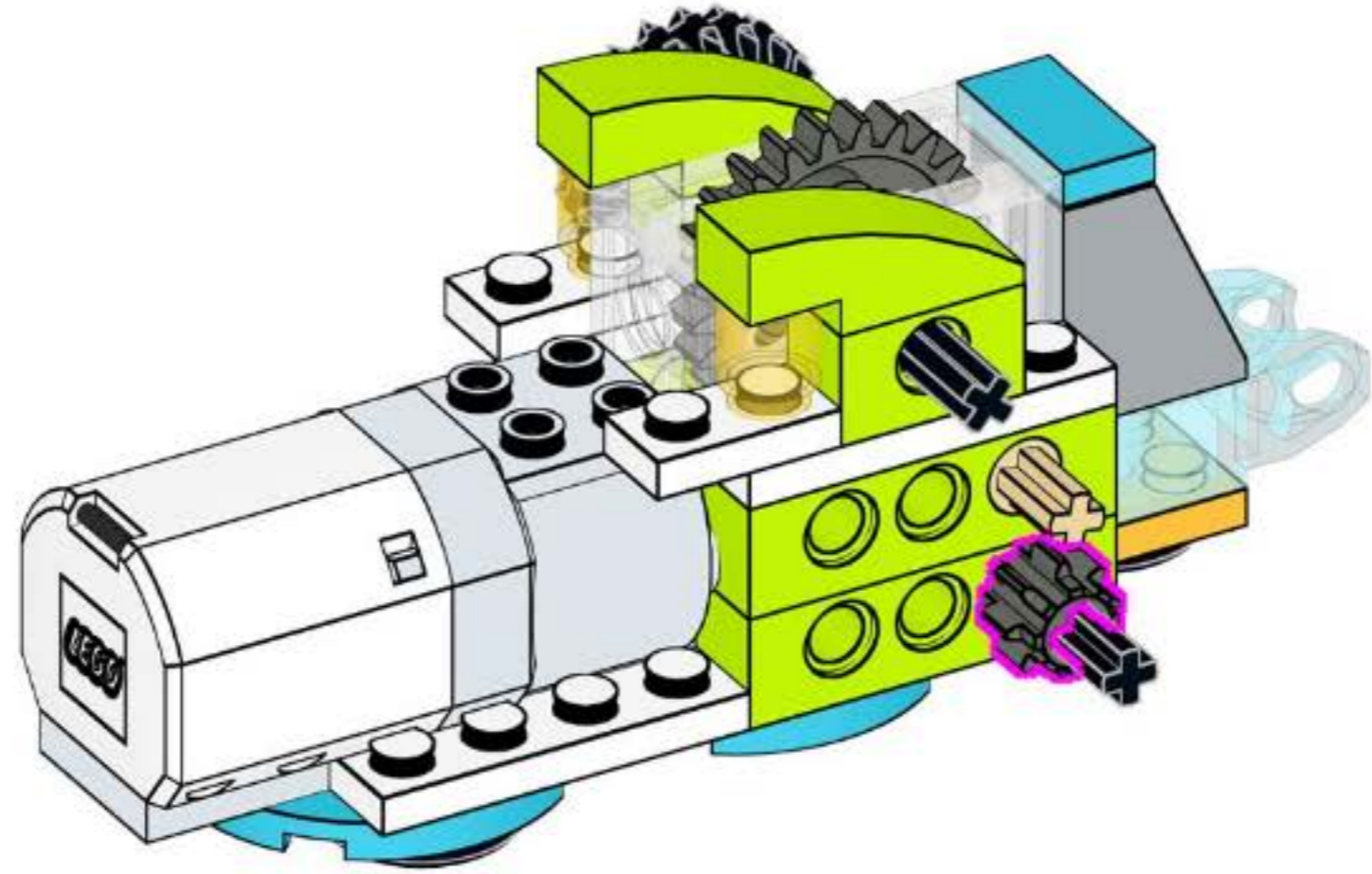
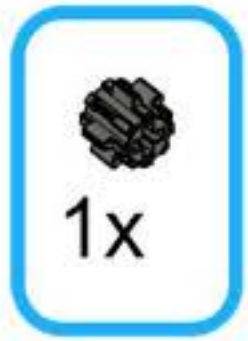


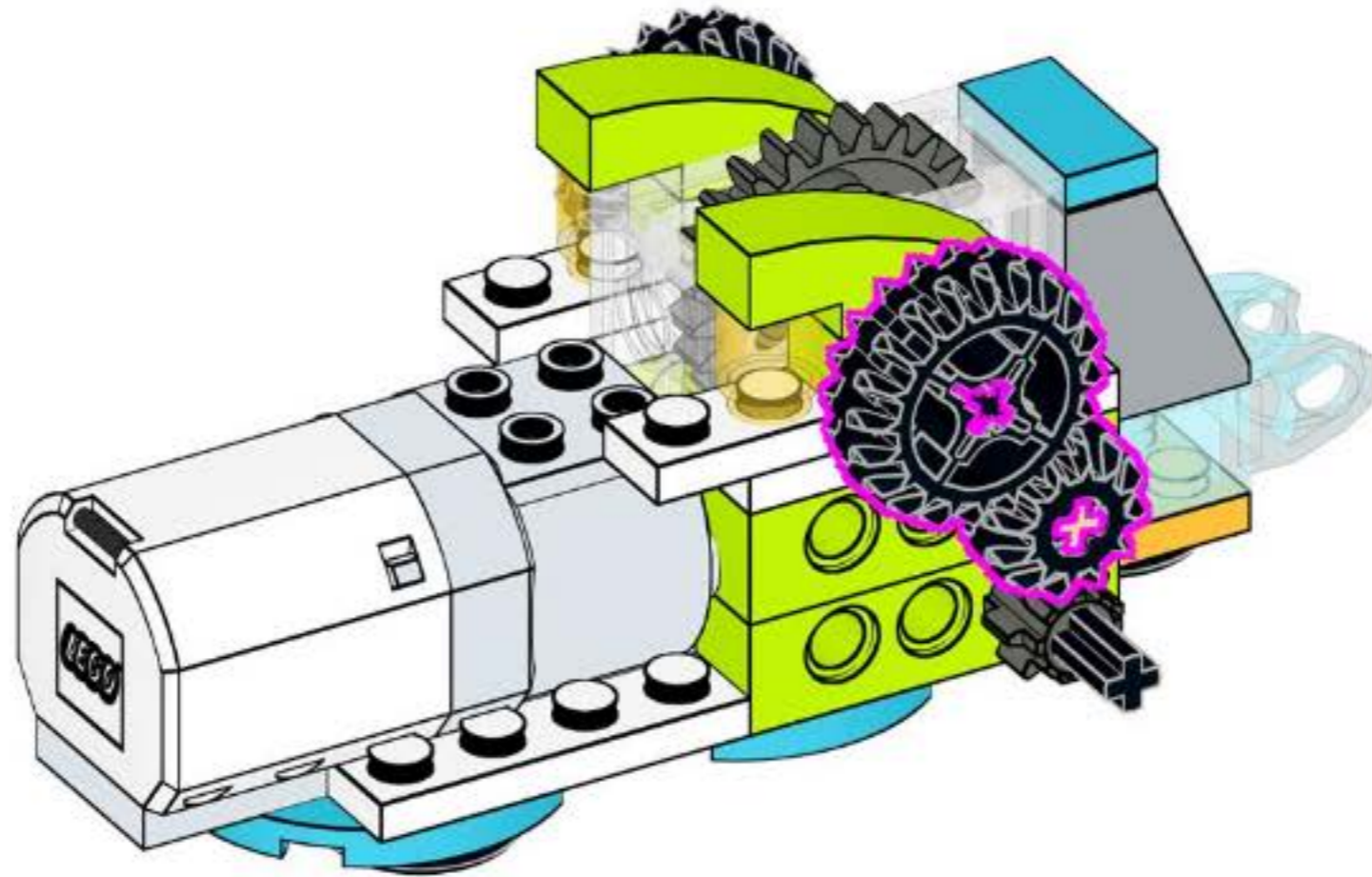


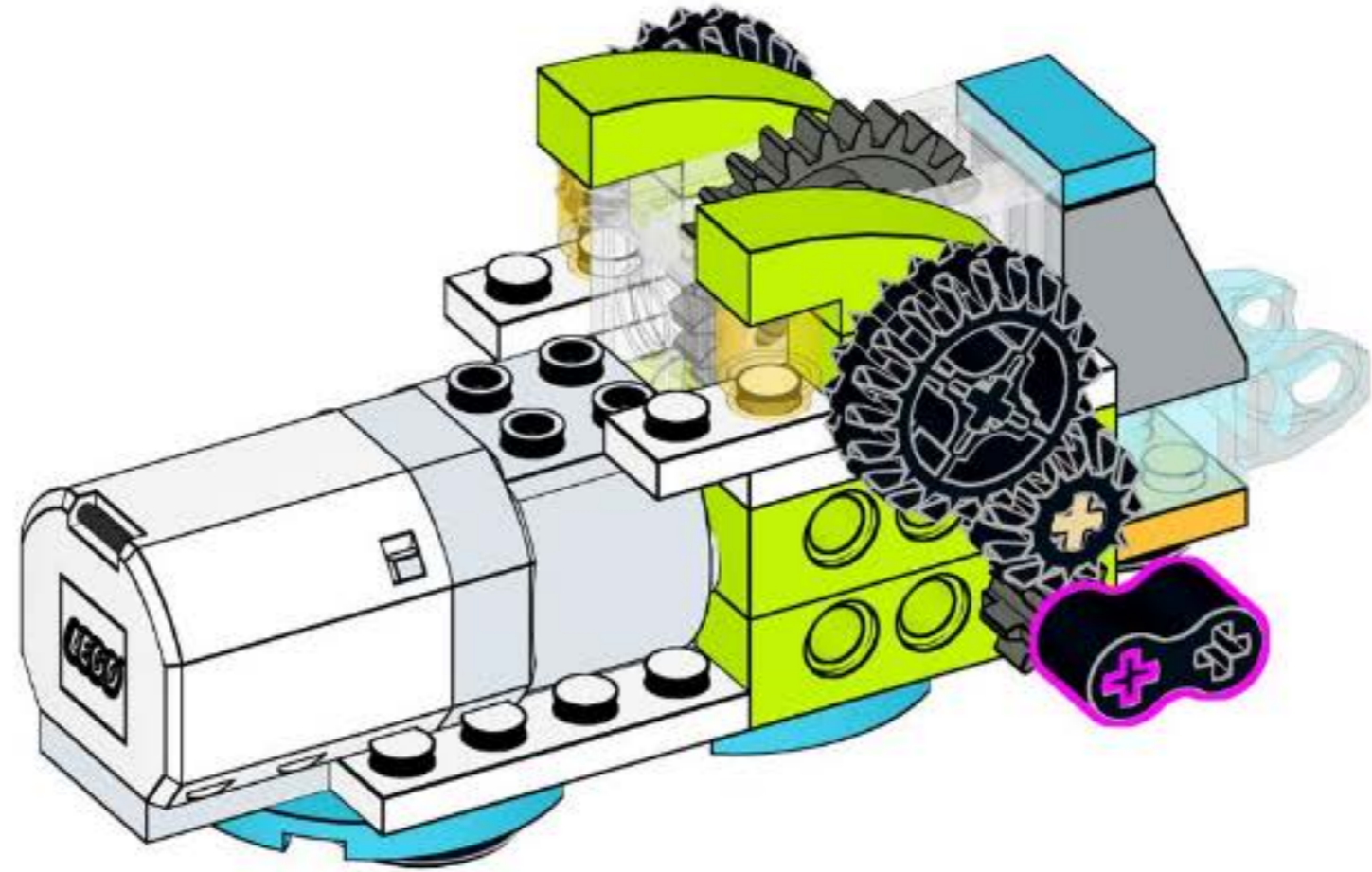


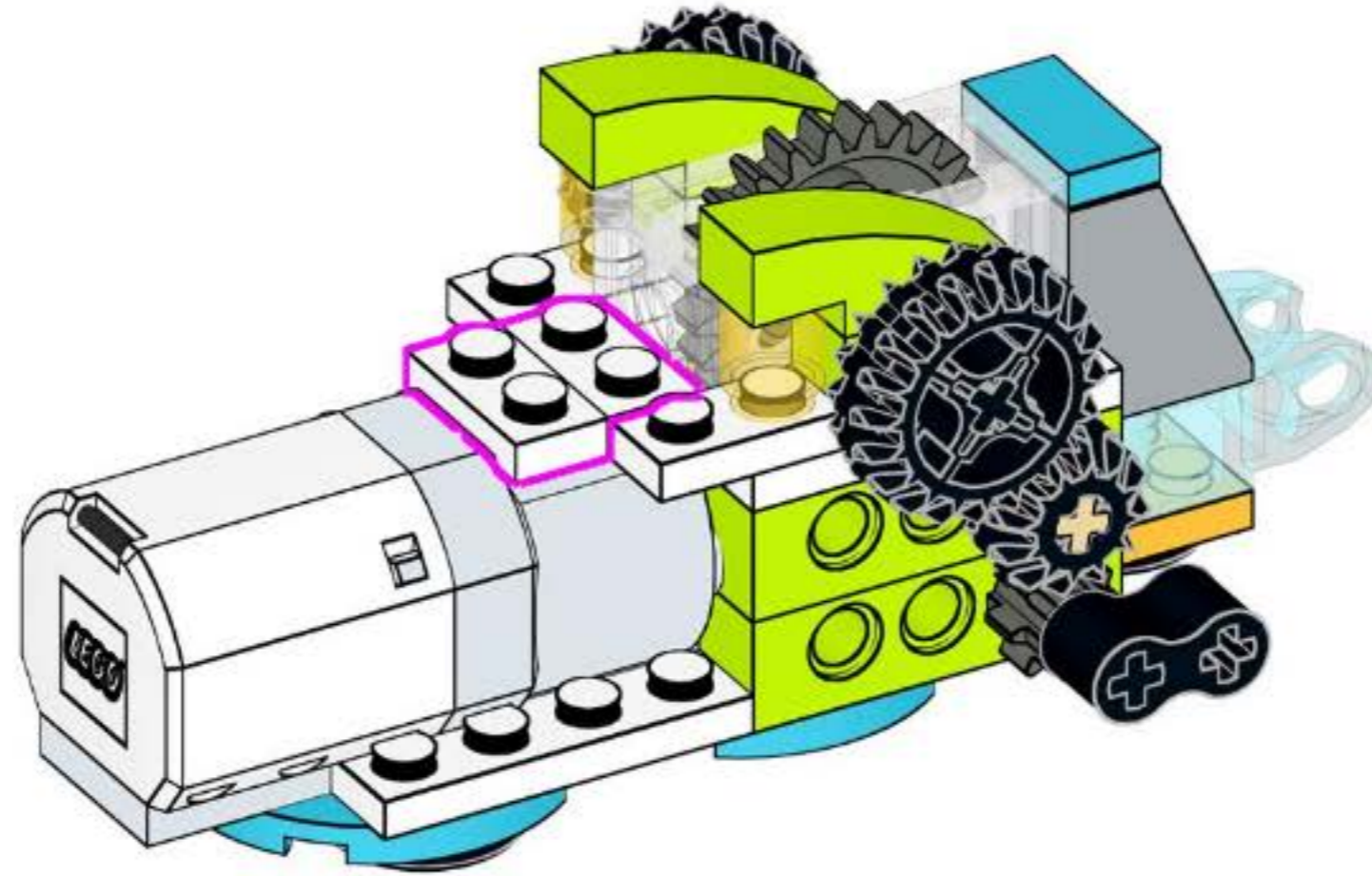
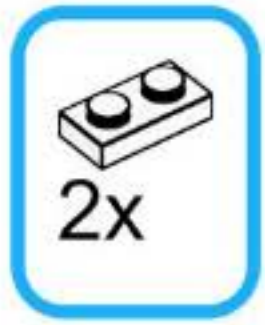


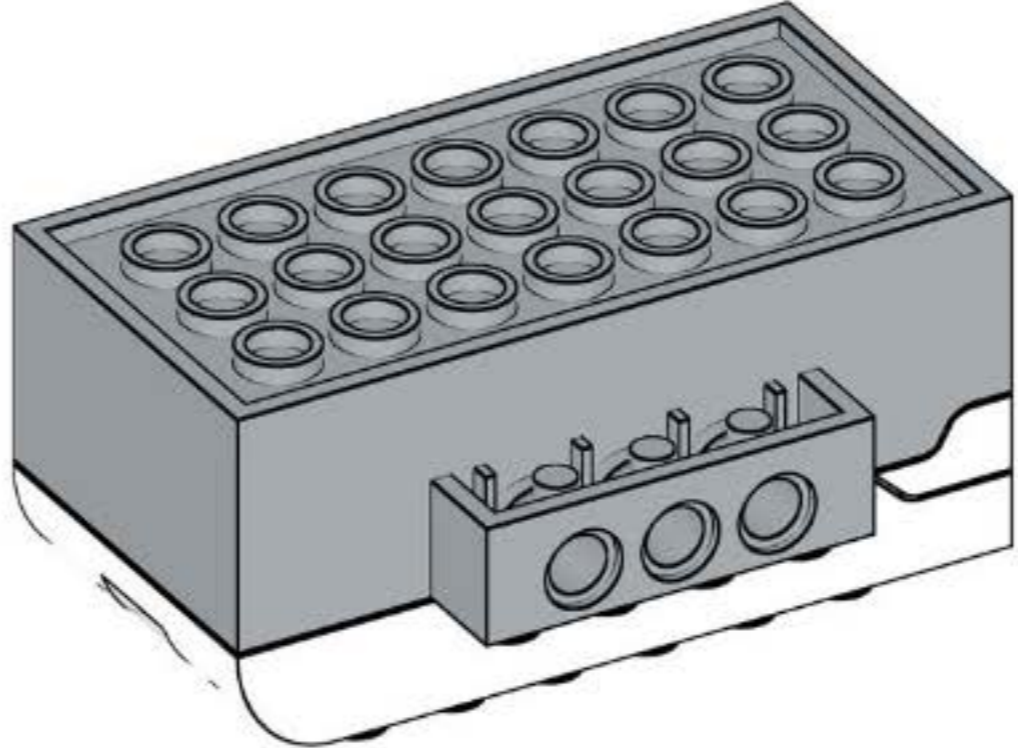
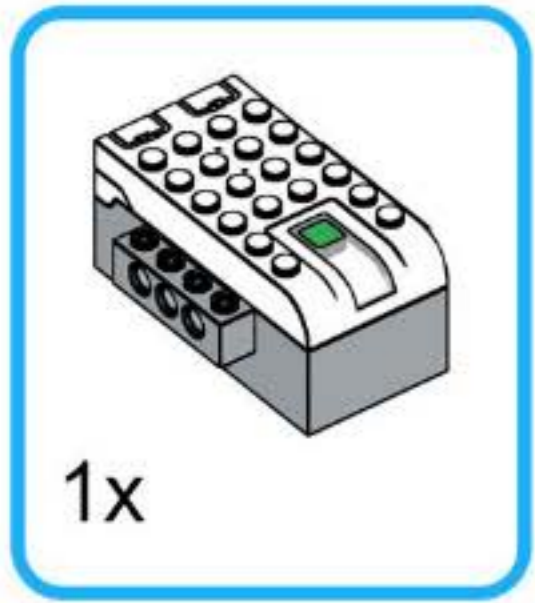


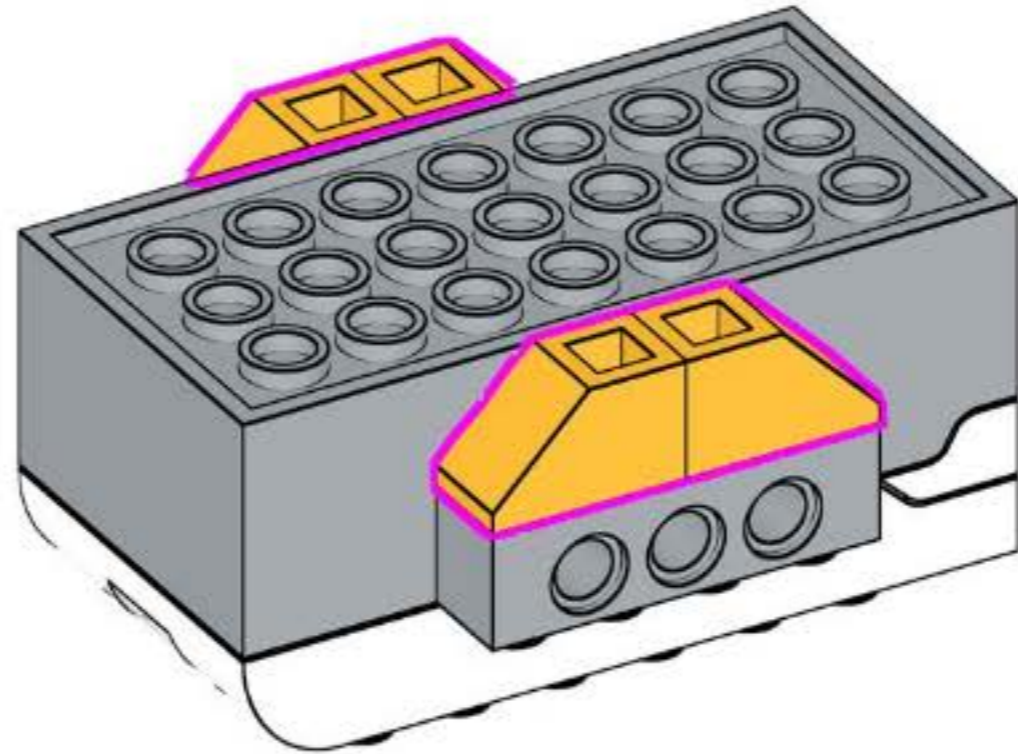
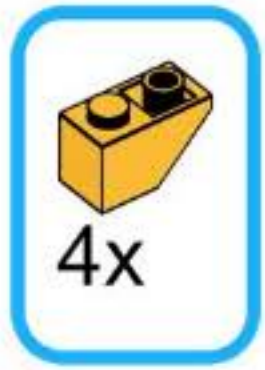






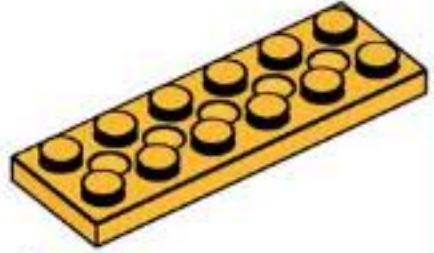




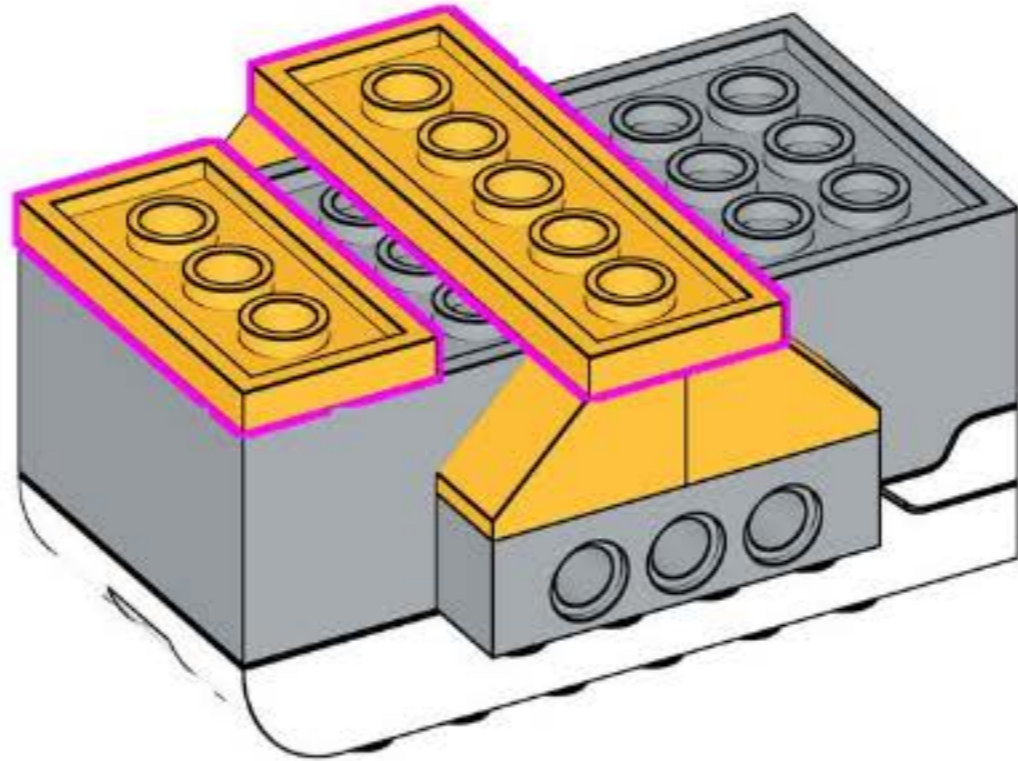


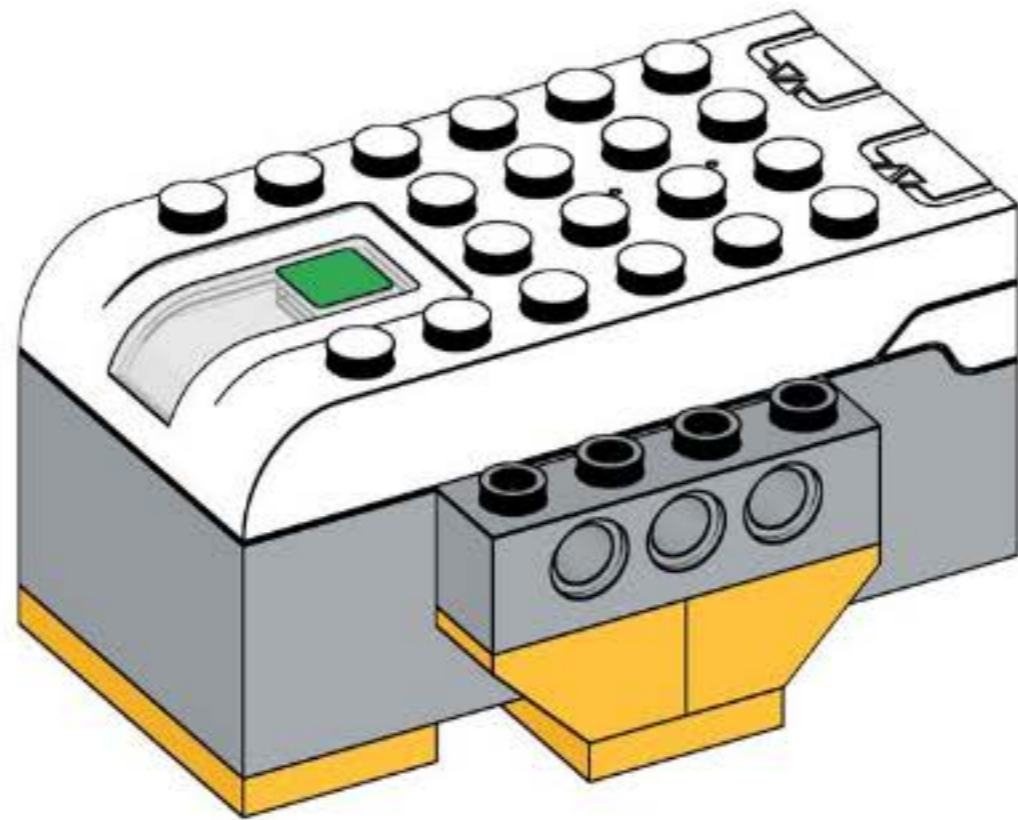


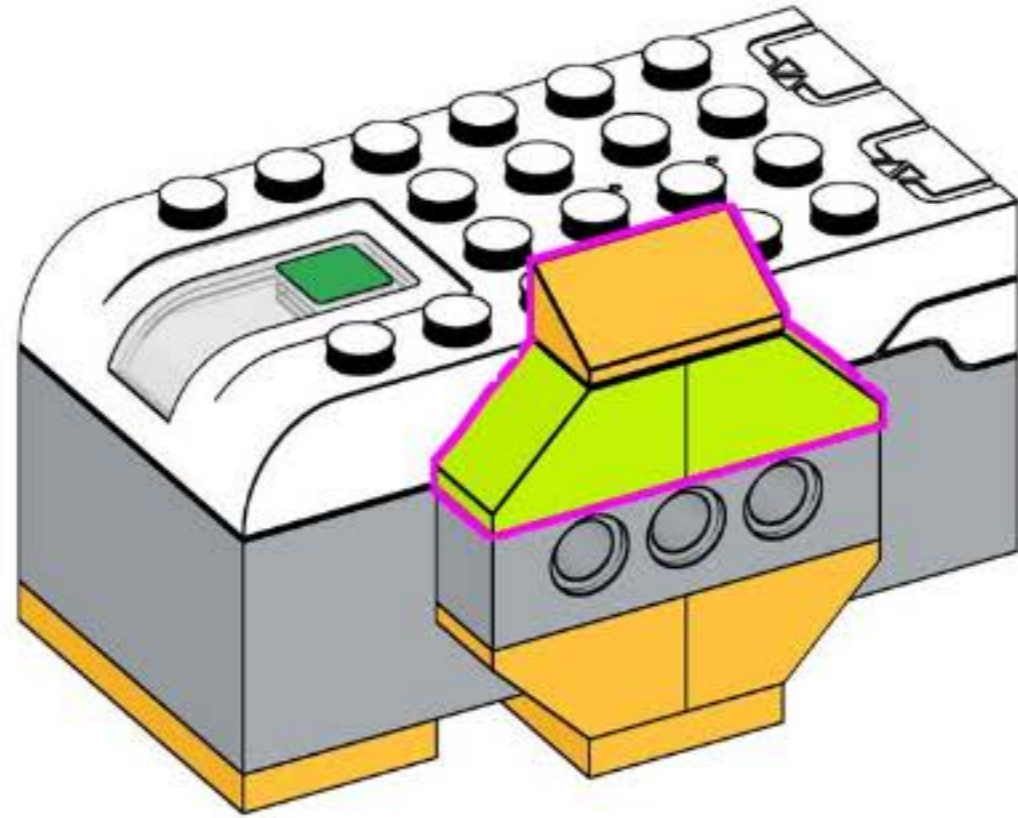
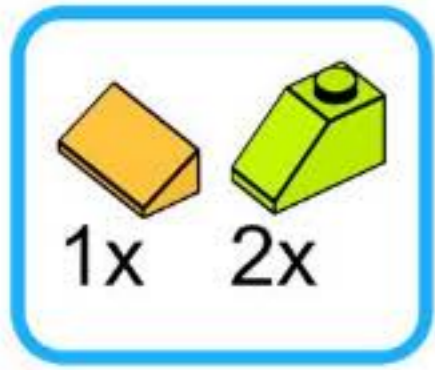
1x

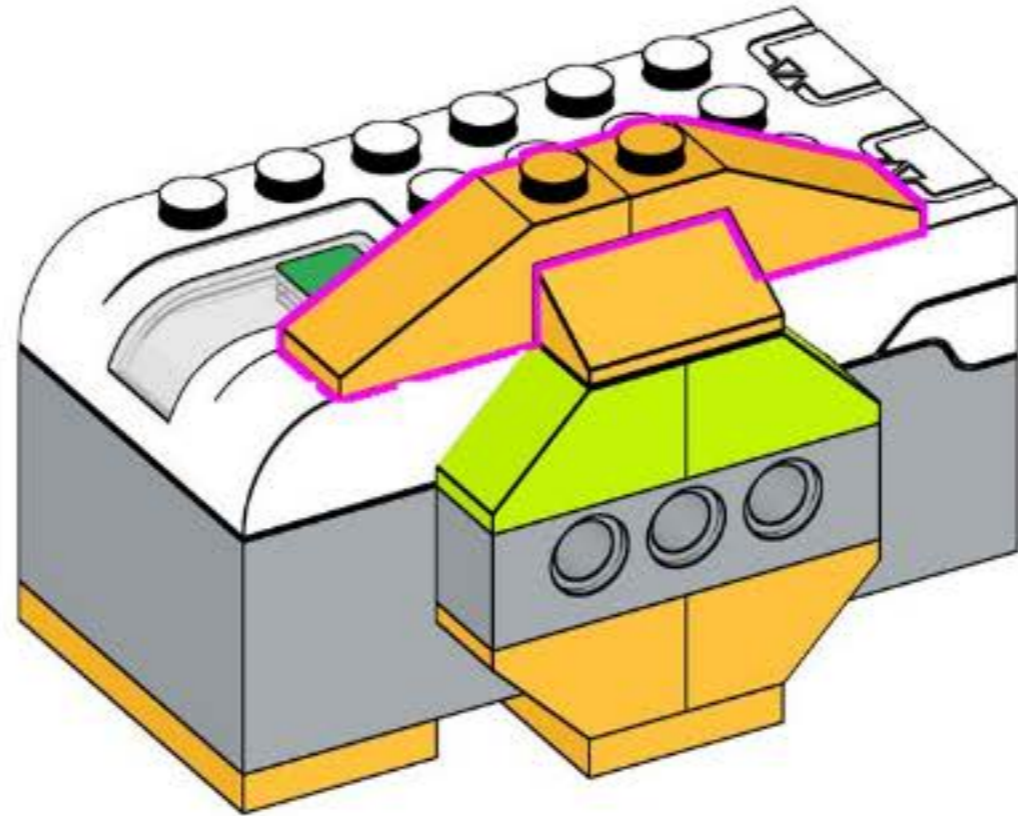
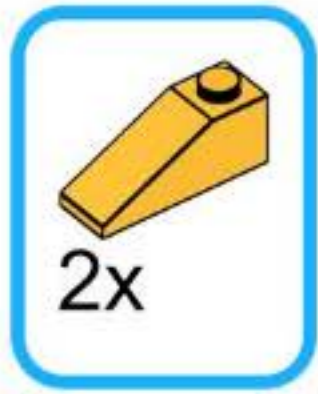


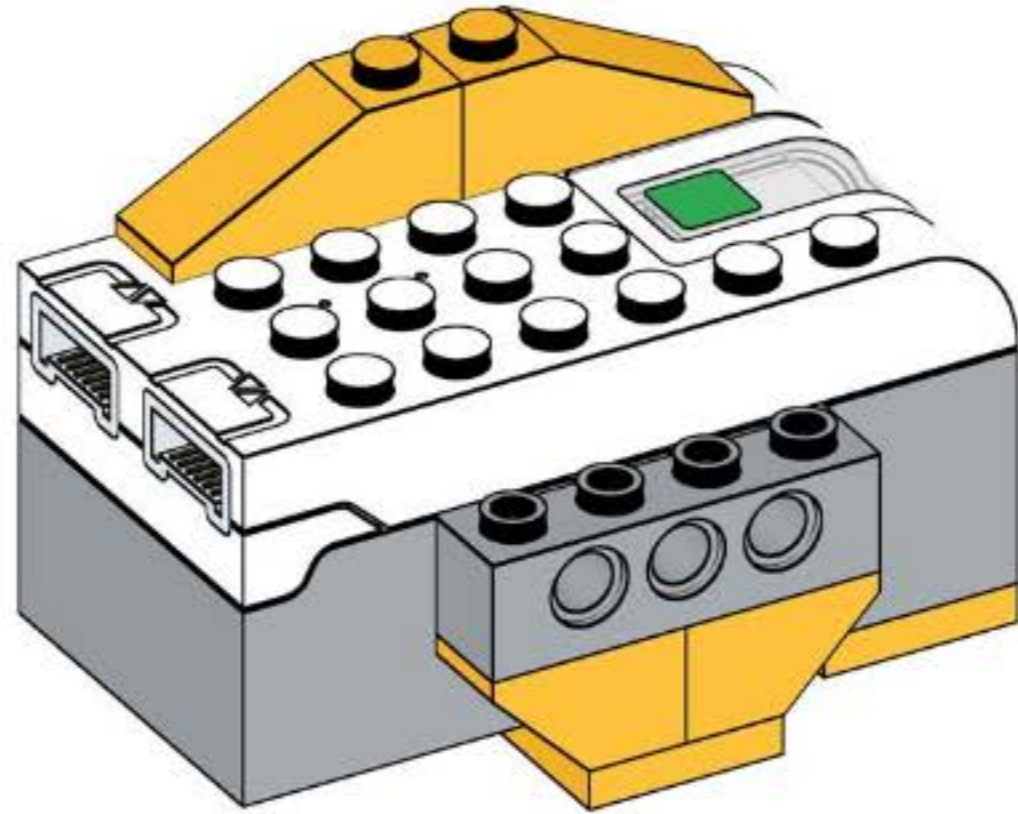
1x

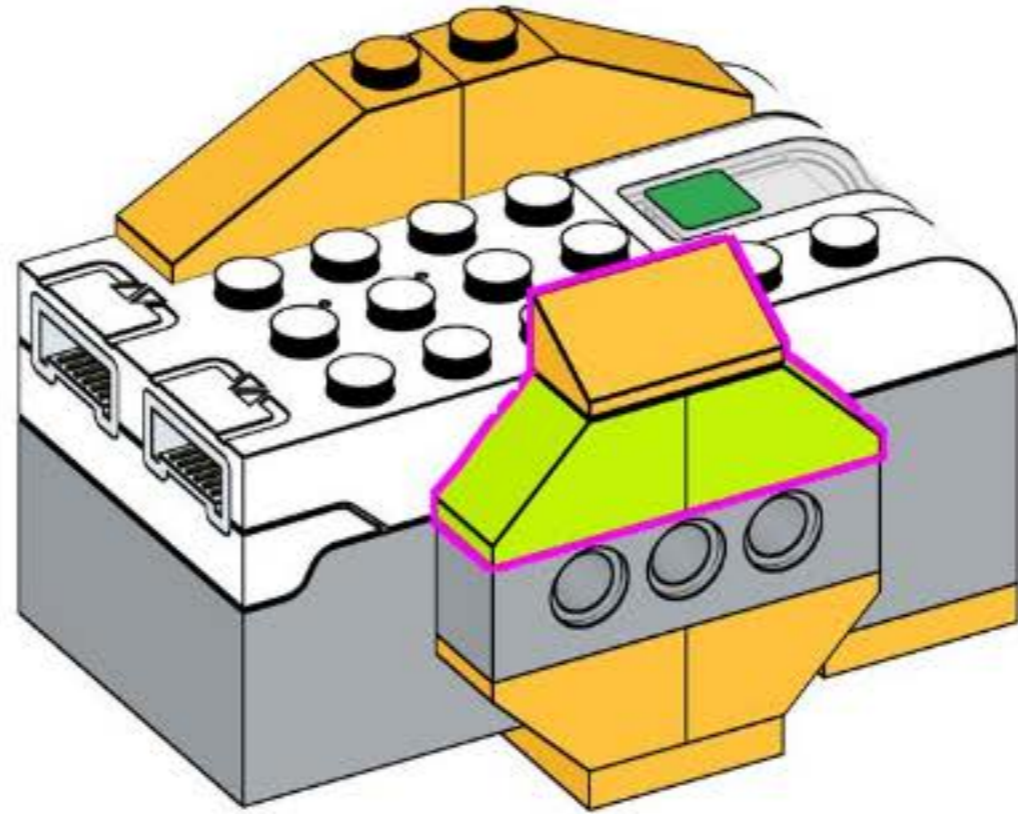
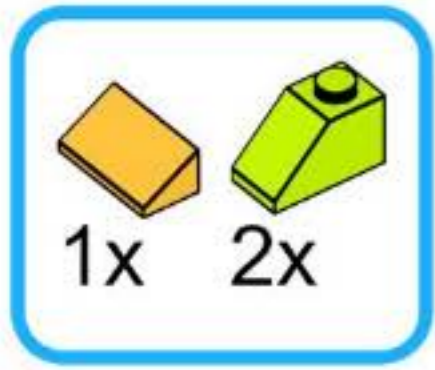


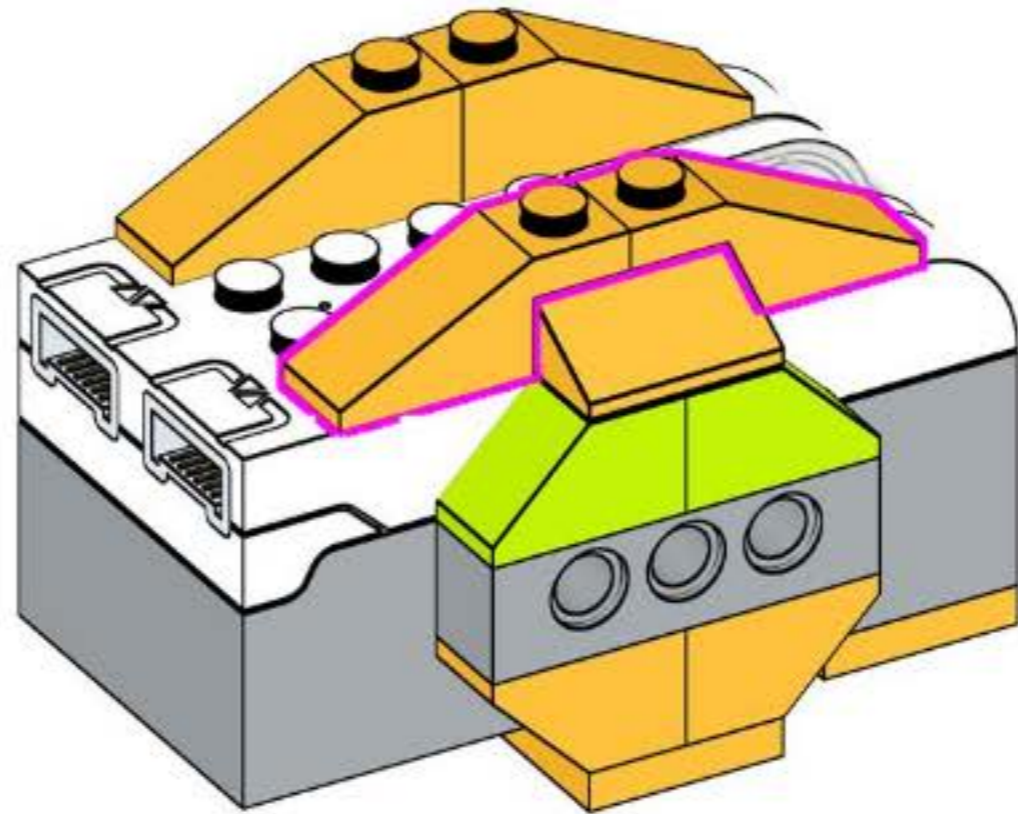
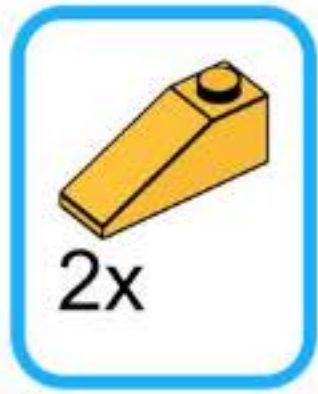


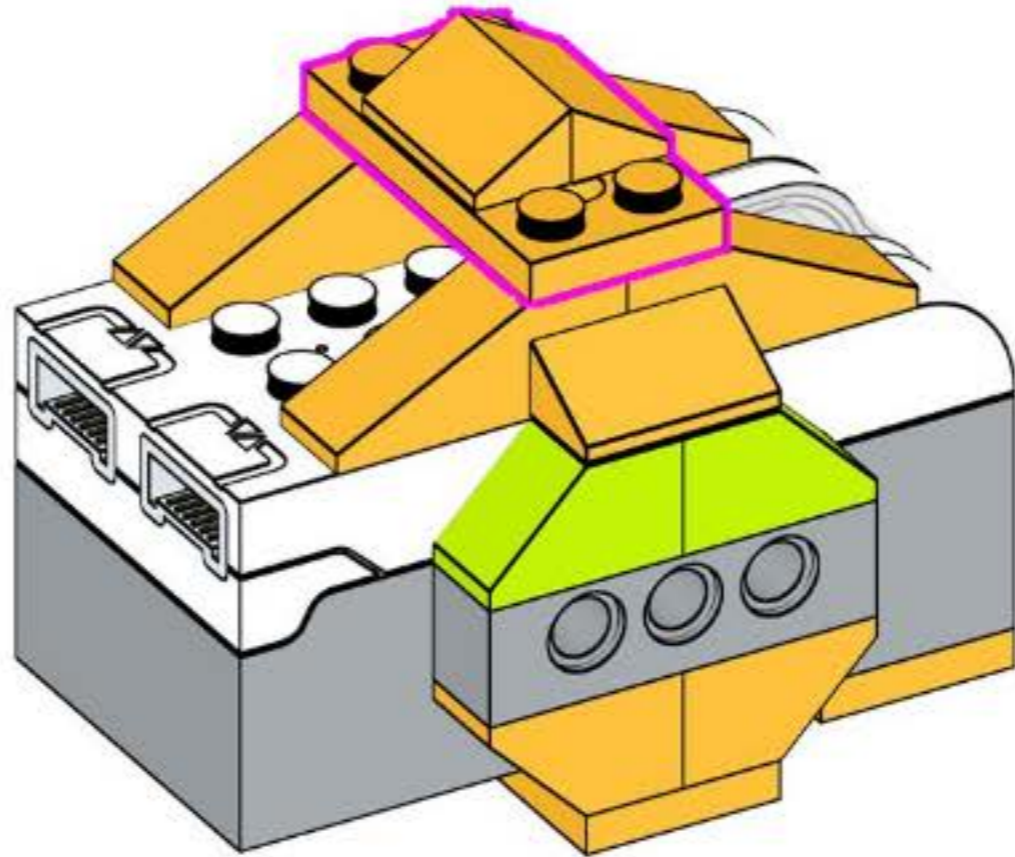
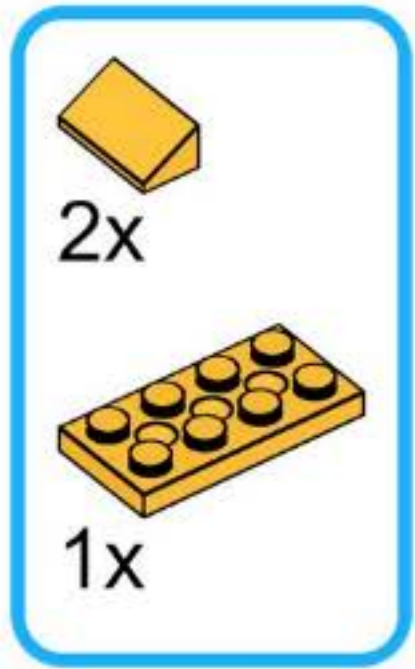


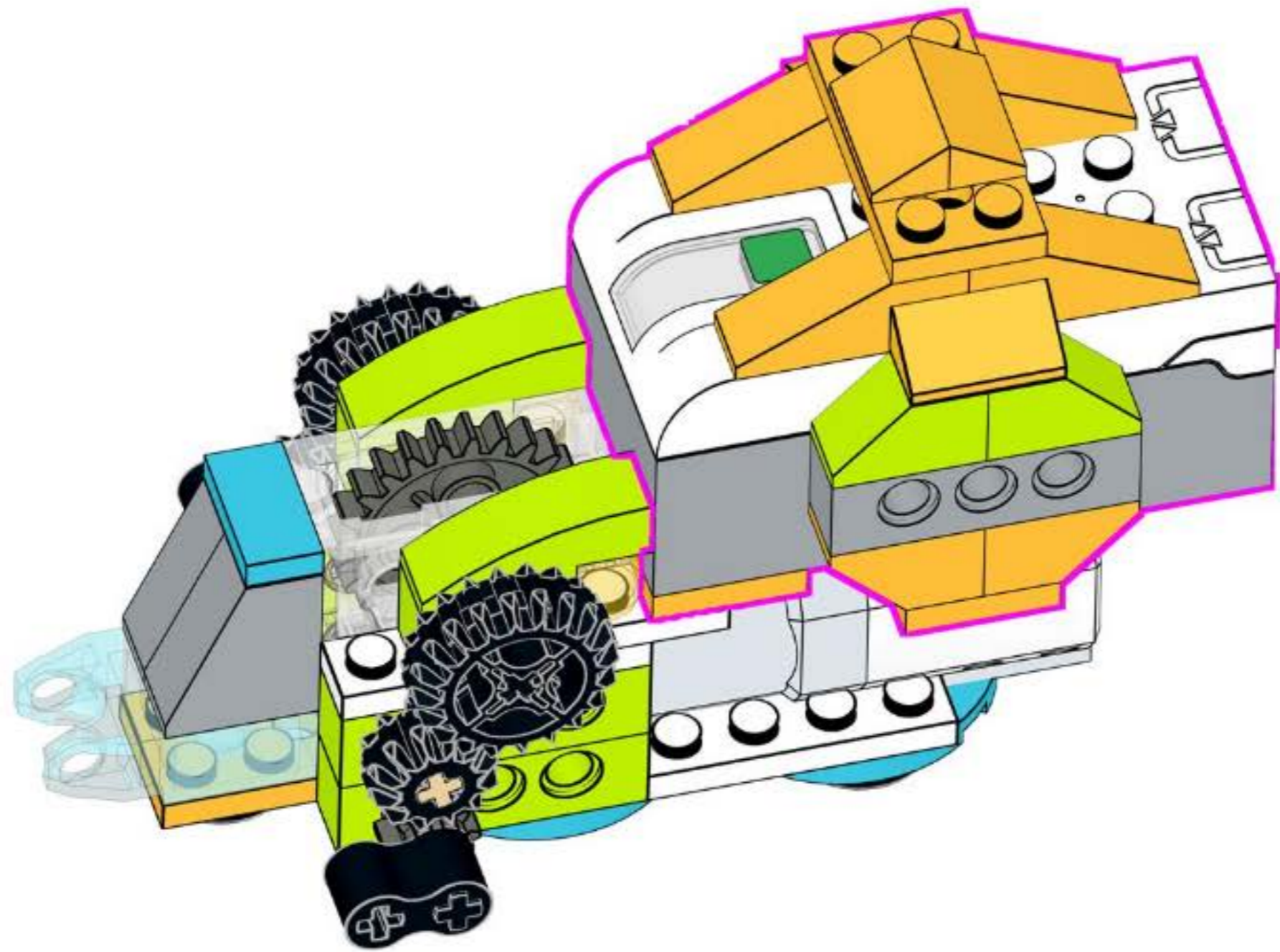


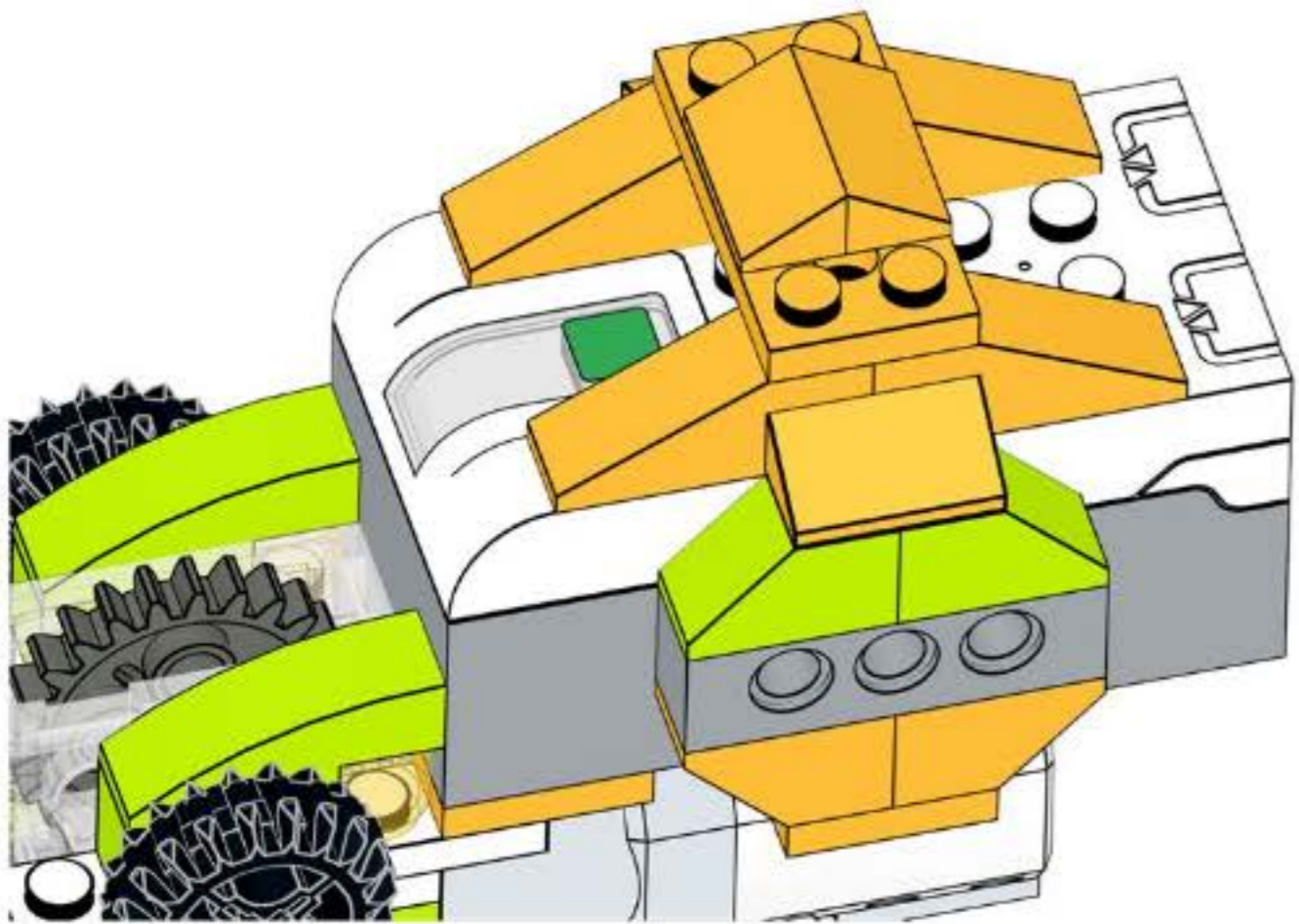
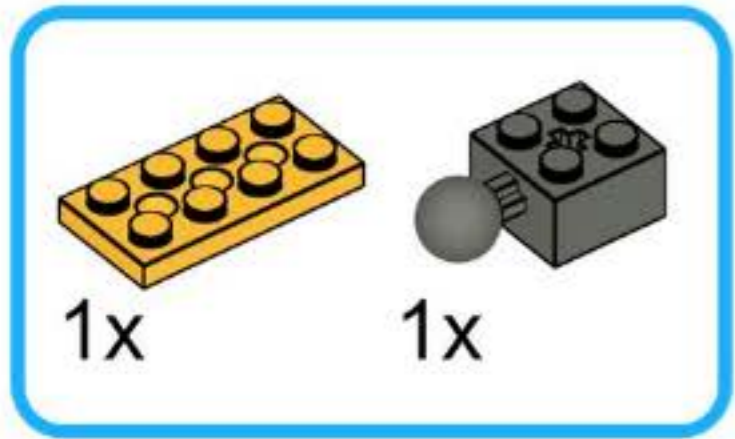


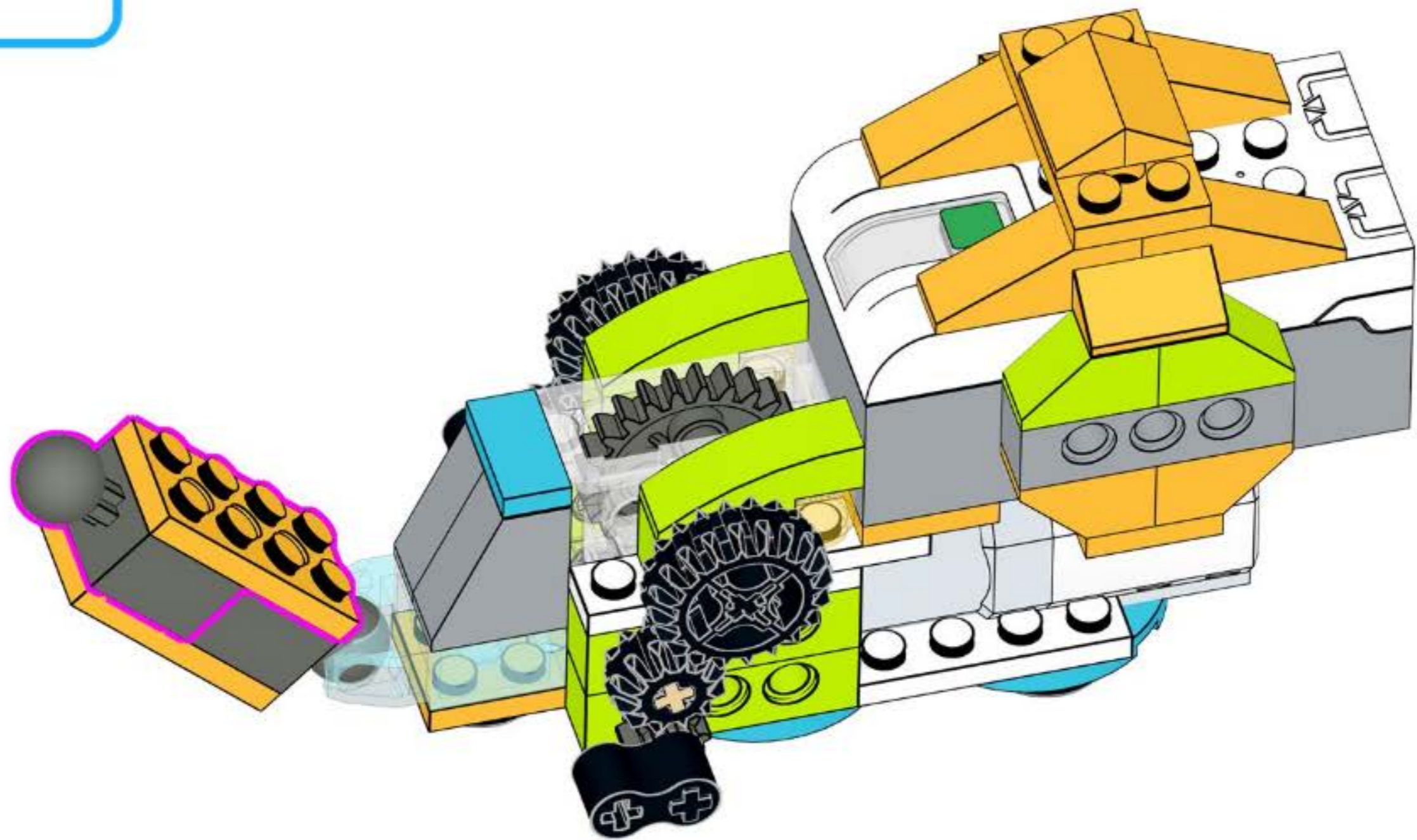
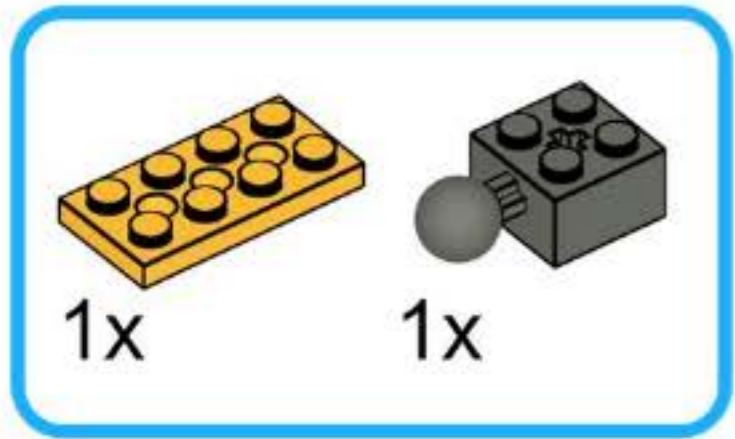






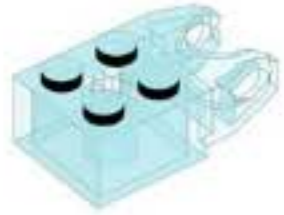




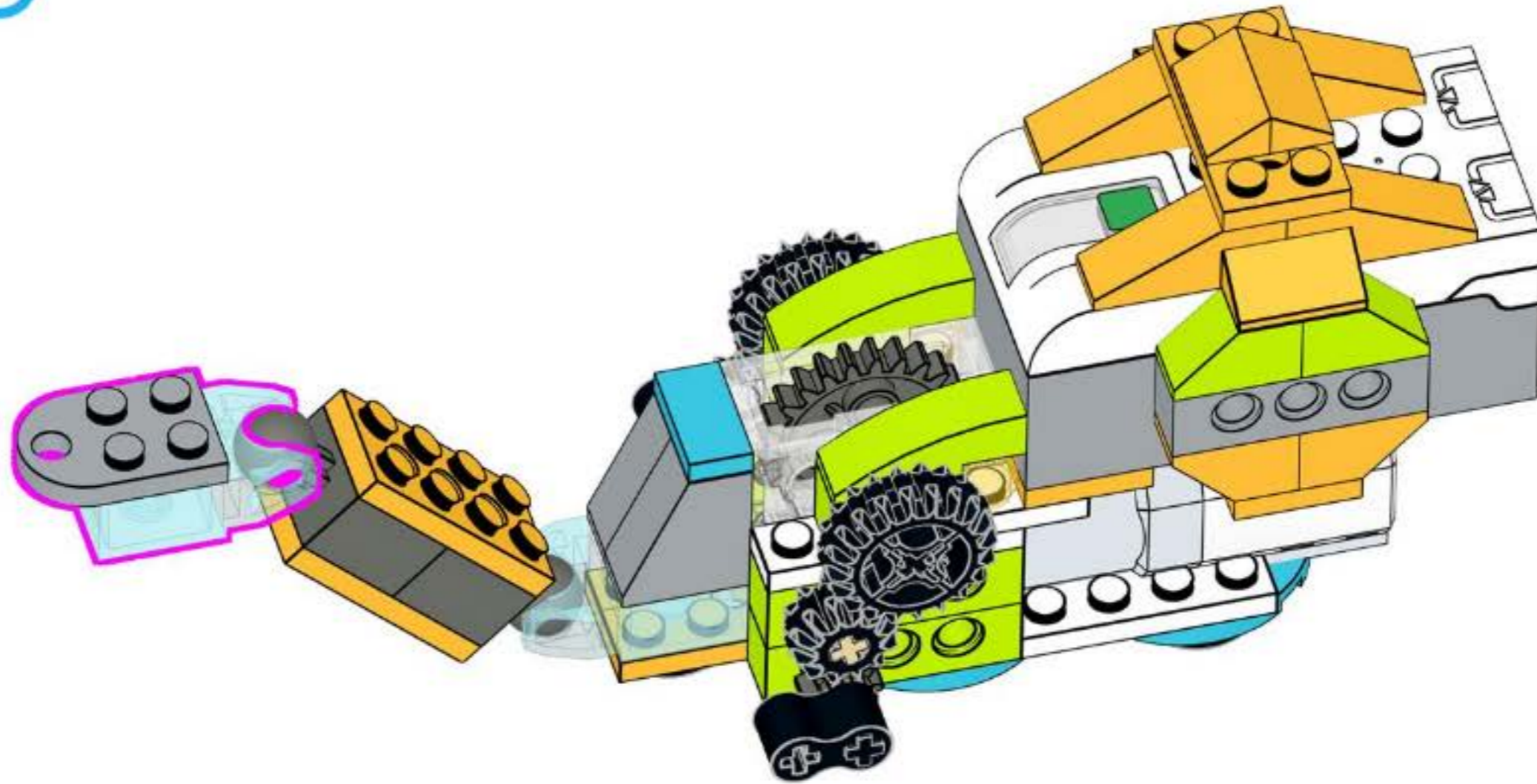


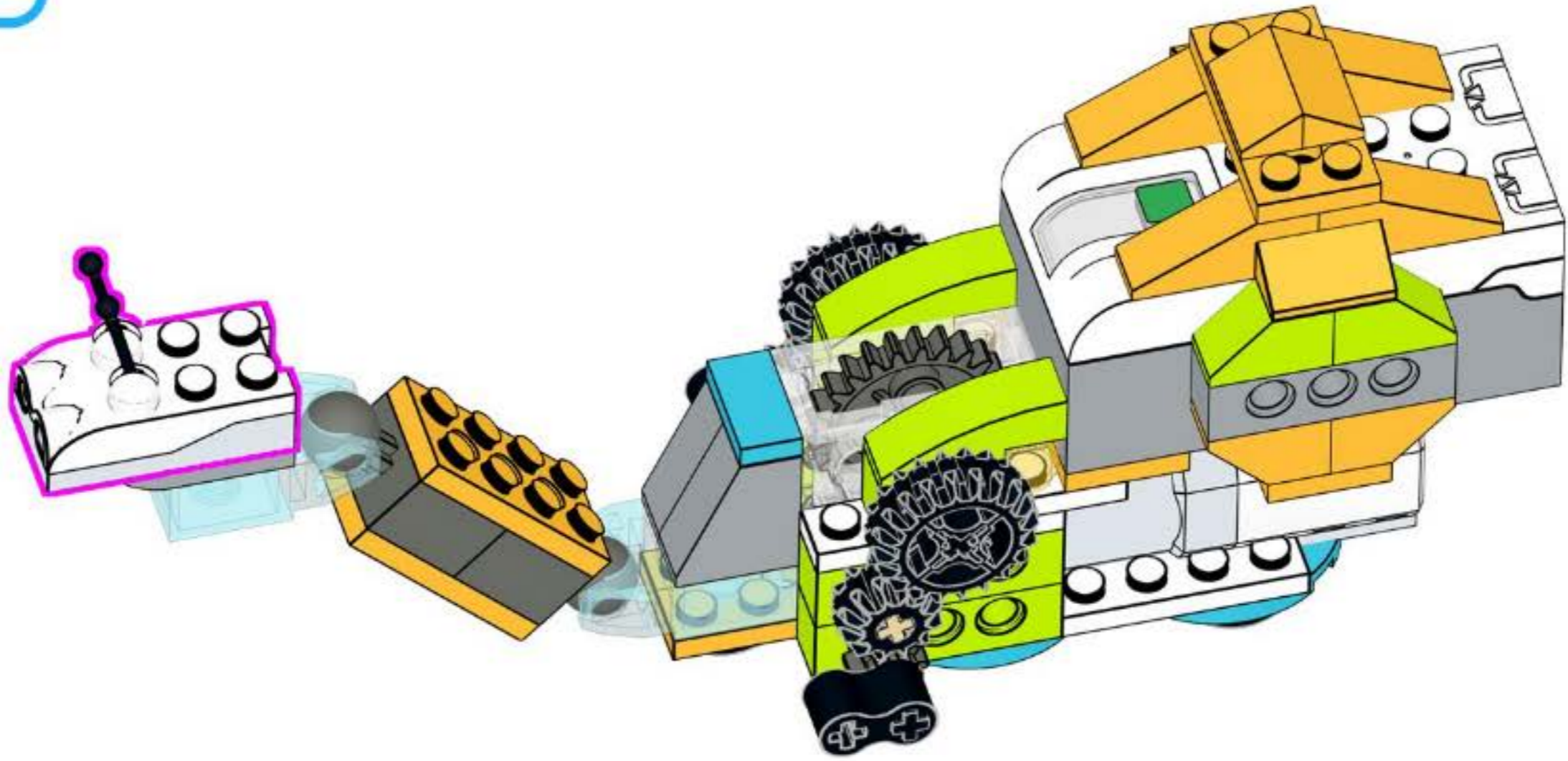
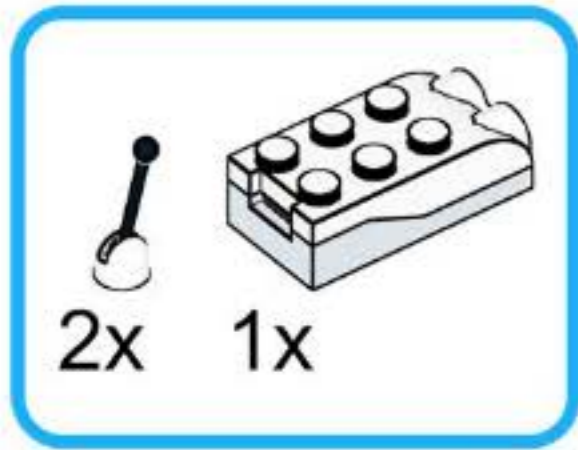


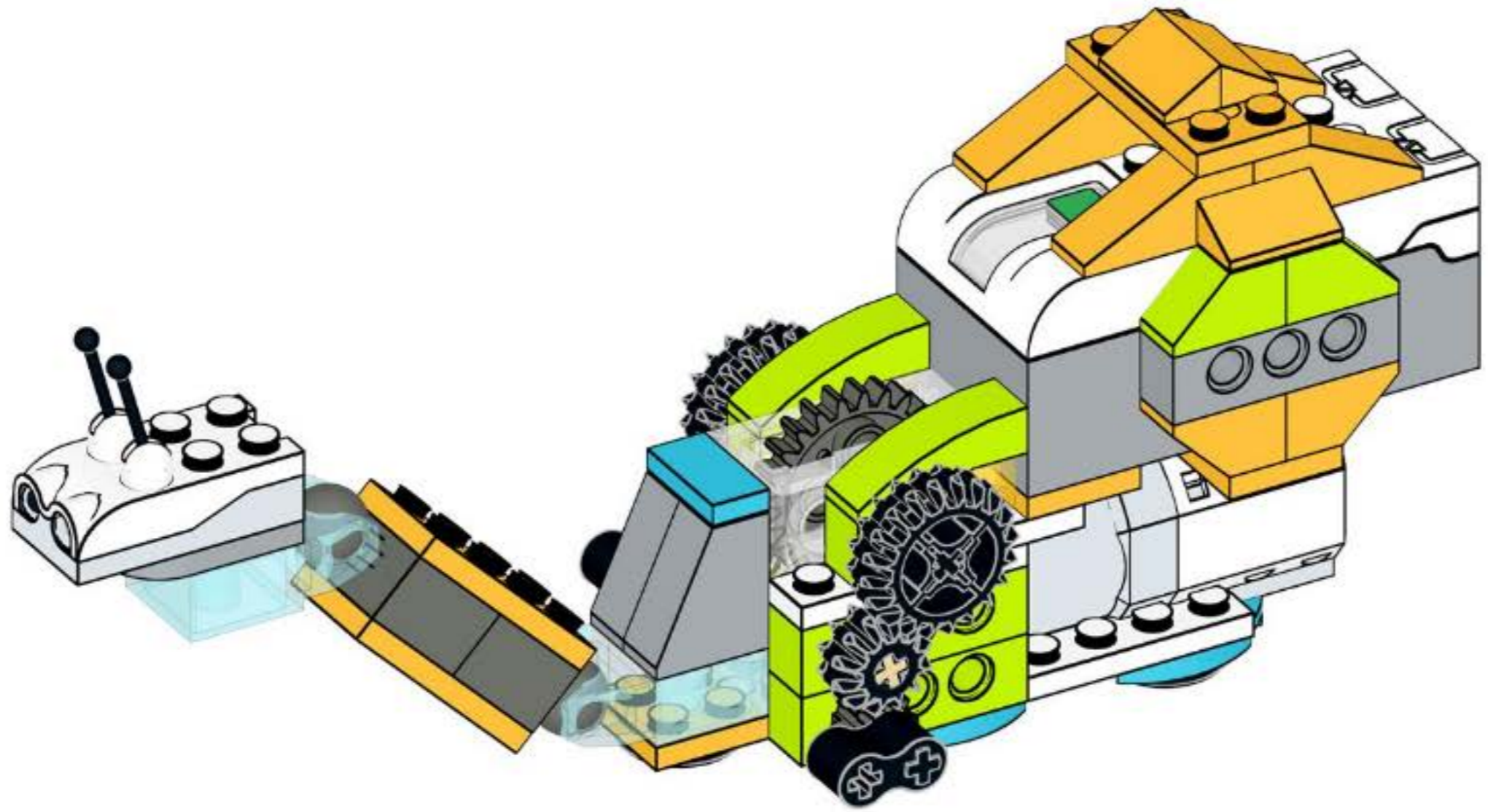
1x

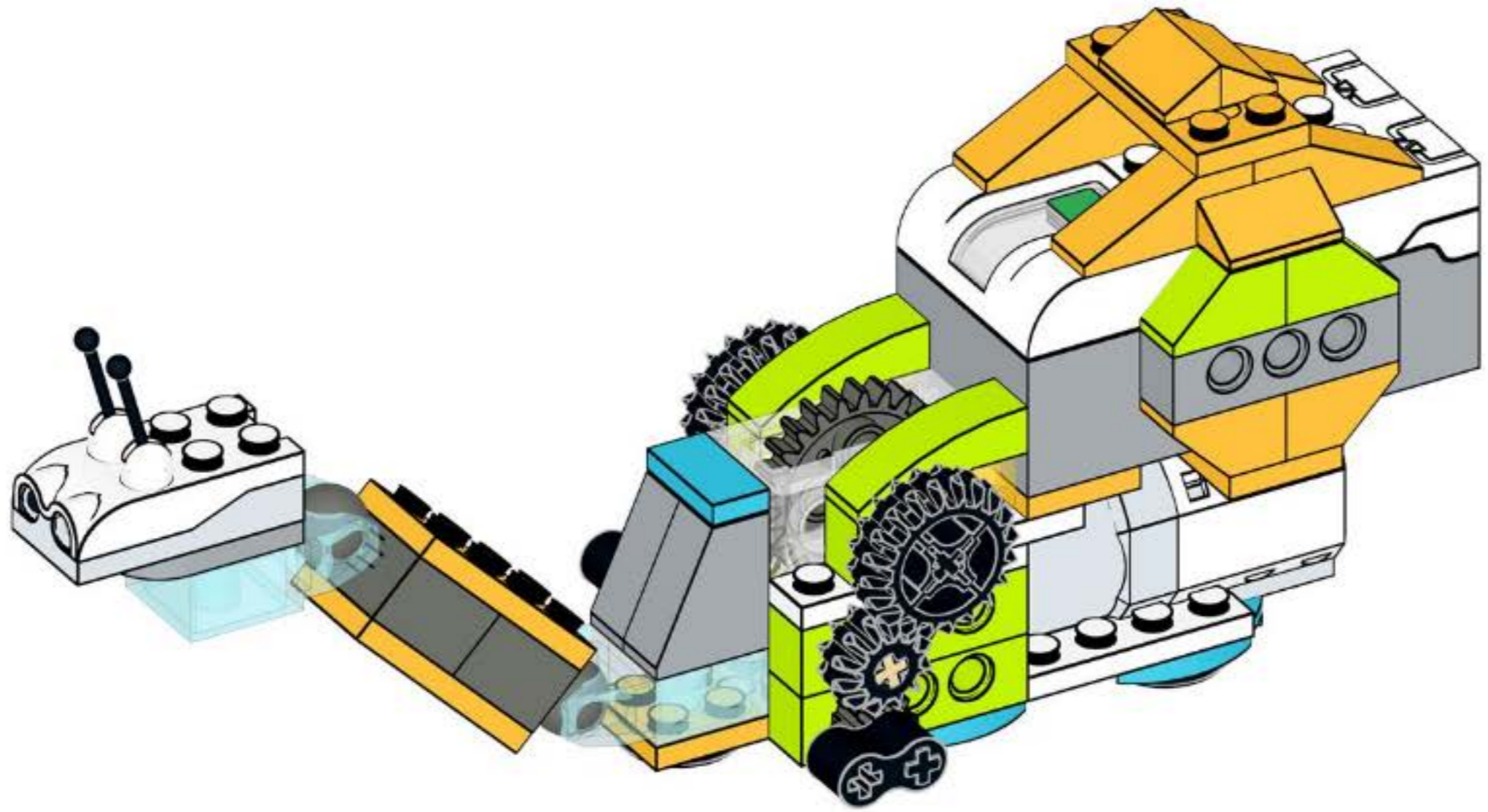


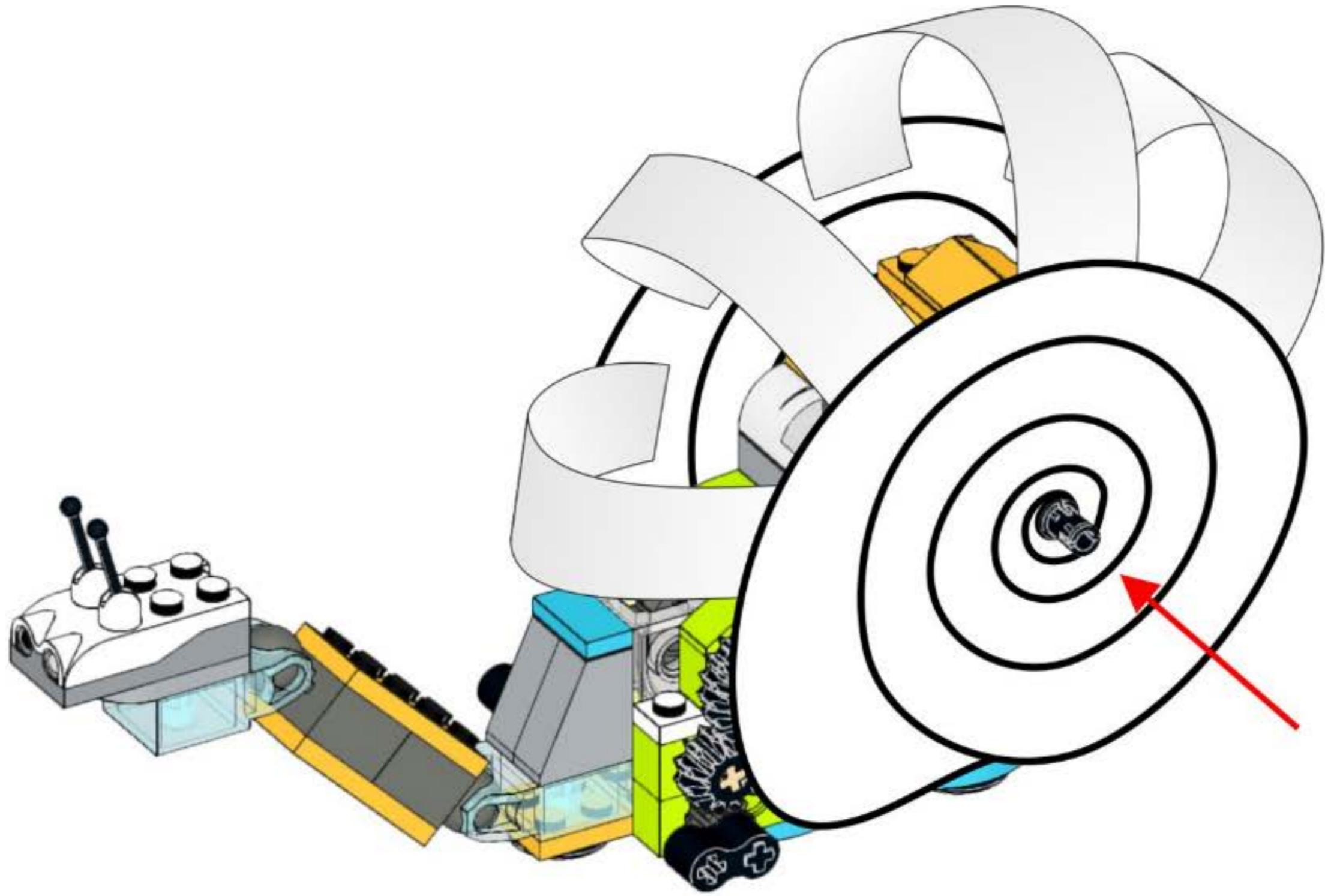
1x











Task 1

Let's make a program for the movement of the snail.



Task 2

Let's make a program for a skittish snail. If an obstacle appears in front of the snail, it will stop.



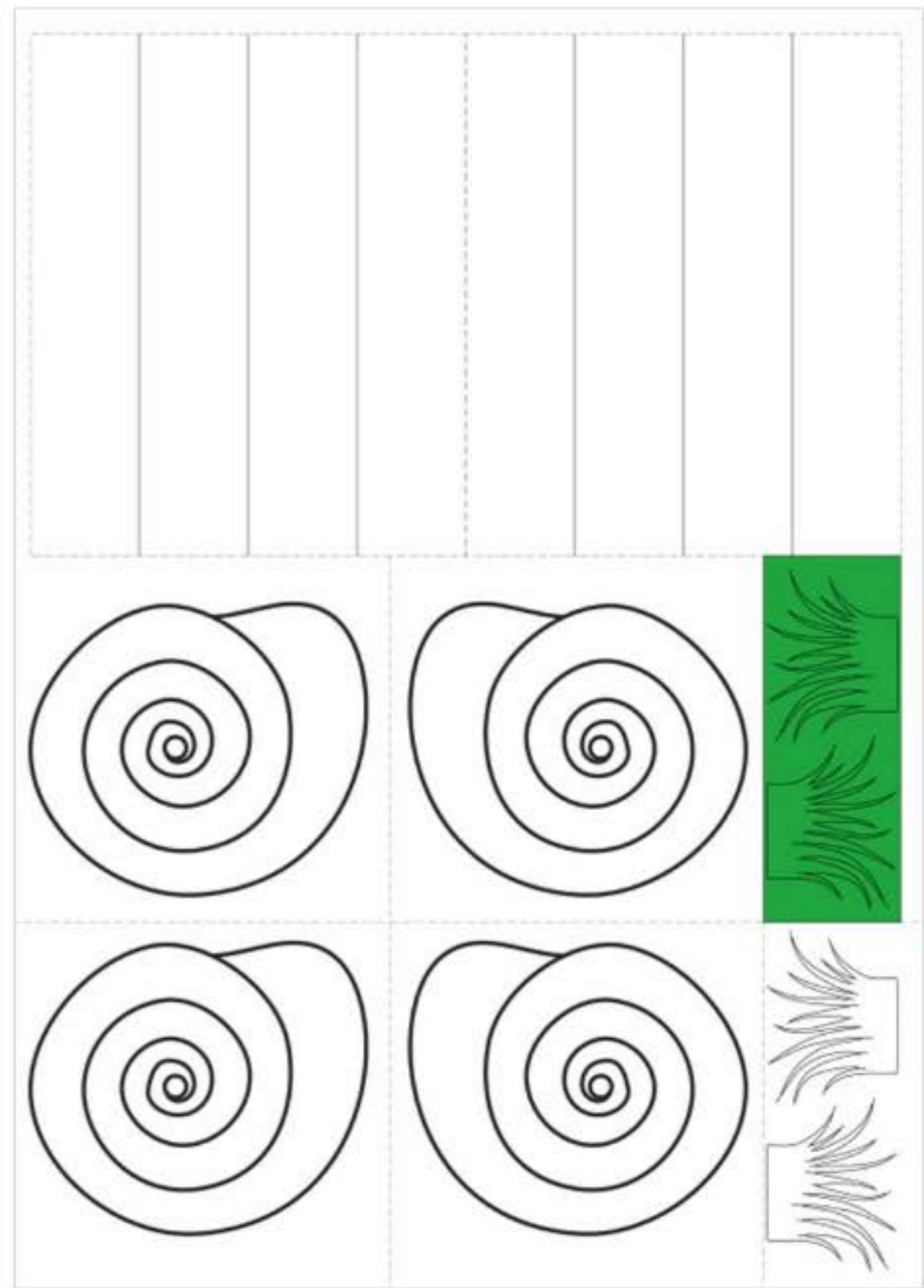
Task 3

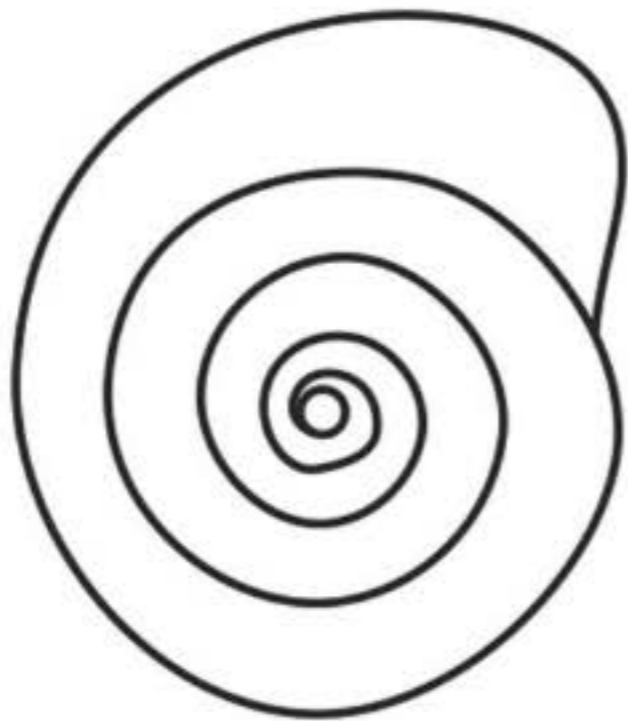
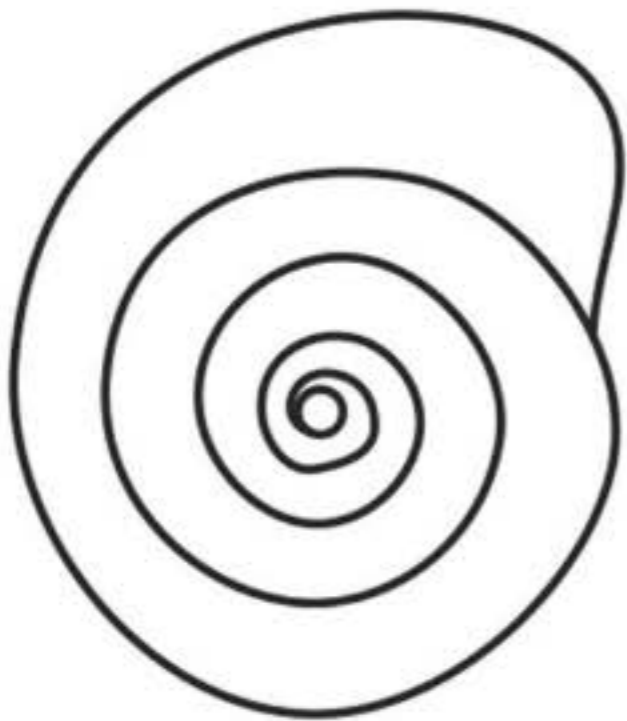
Let's make a program for a cold snail. If the snail is shown a piece of grass, it begins to move forward.



Materials for the lesson

Drawing «Snail shell»





A vertical rectangular area on the right side of the page, enclosed by a dashed border. It contains seven horizontal lines, creating a series of empty rectangular boxes for writing or drawing.

