

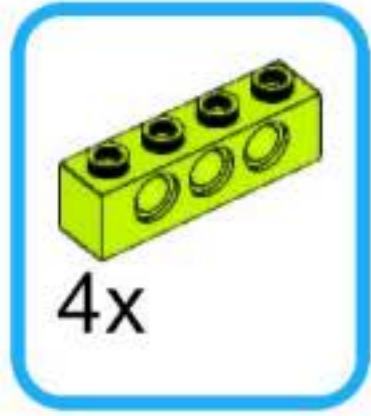
wall-e model without motor
unofficial building instruction



WALL-E **without motor**

for Lego® WeDo 2.0

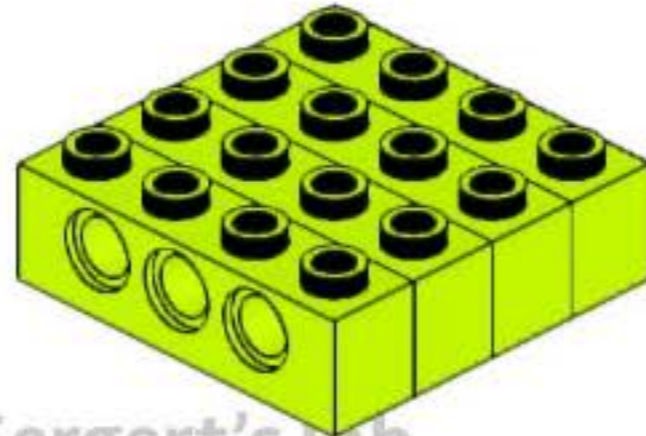
Gergert's lab



Gergert's lab

Gergert's lab

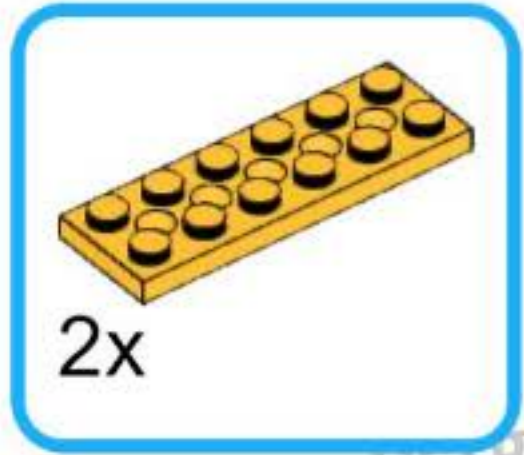
Gergert's lab



Gergert's lab

Gergert's lab

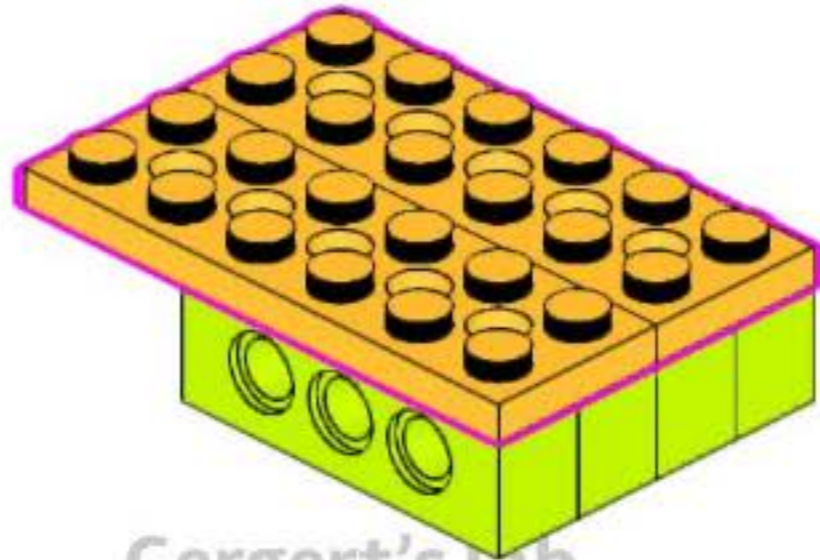
Gergert's lab



Gergert's lab

Gergert's lab

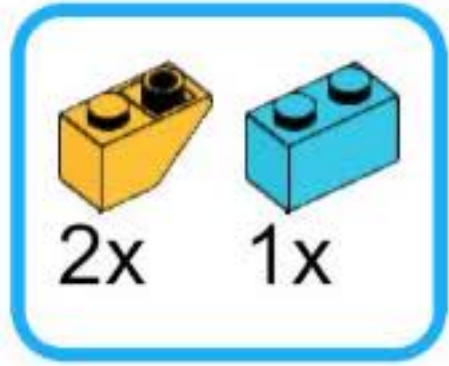
Gergert's lab



Gergert's lab

Gergert's lab

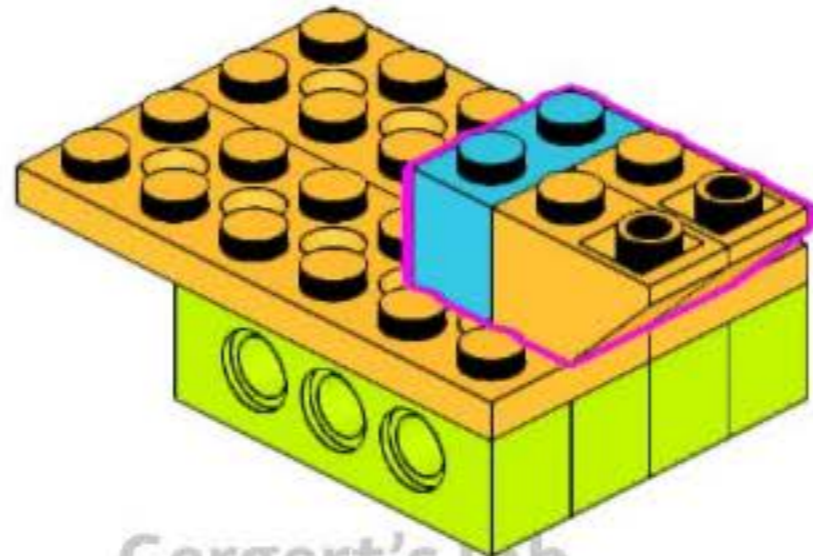
Gergert's lab



Gergert's lab

Gergert's lab

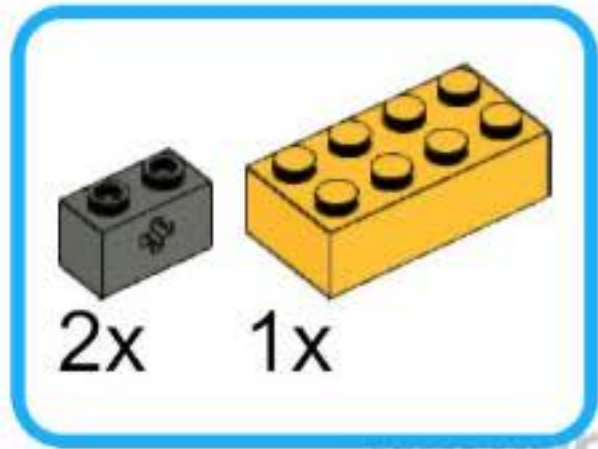
Gergert's lab



Gergert's lab

Gergert's lab

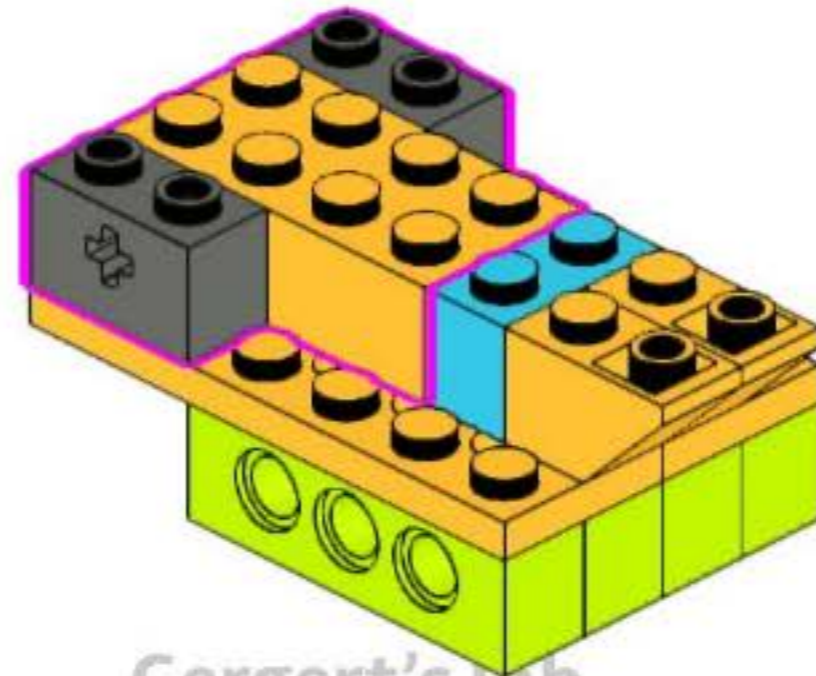
Gergert's lab



Gergert's lab

Gergert's lab

Gergert's lab



Gergert's lab

Gergert's lab

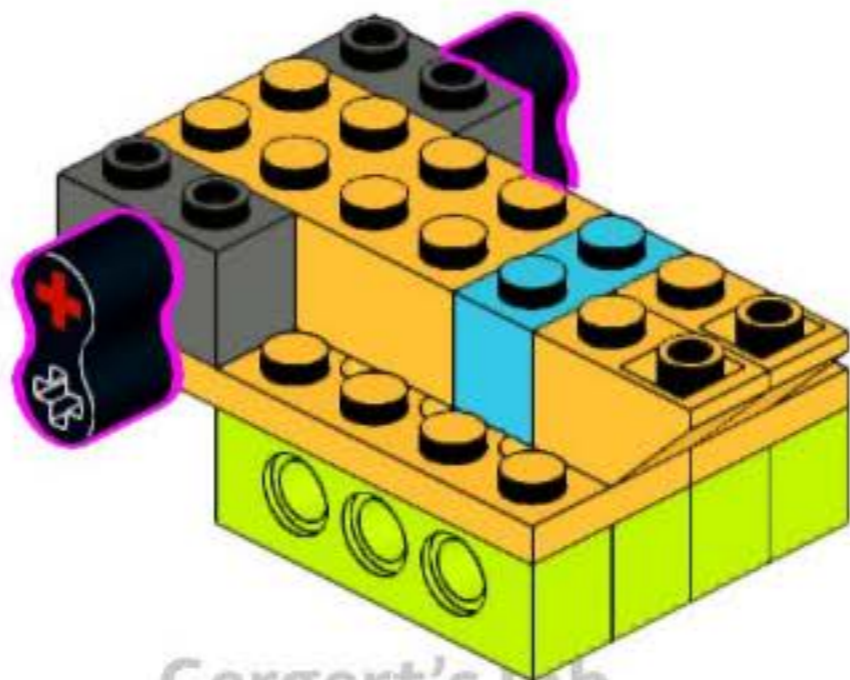
Gergert's lab



Gergert's lab

Gergert's lab

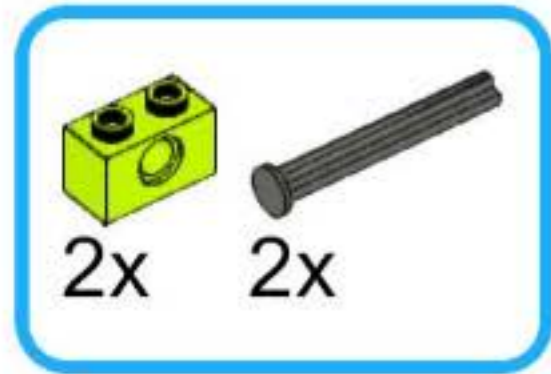
Gergert's lab



Gergert's lab

Gergert's lab

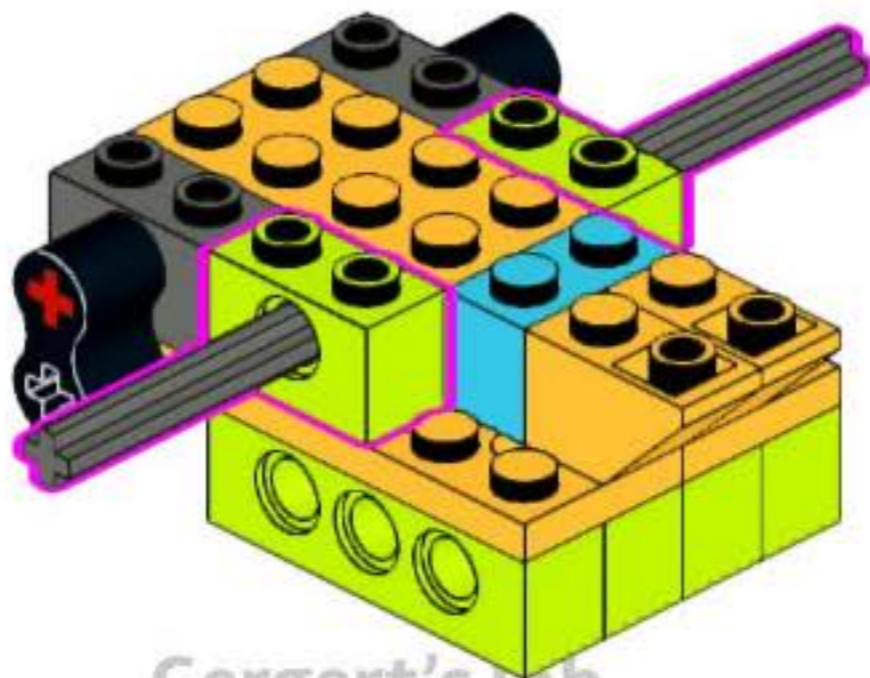
Gergert's lab



Gergert's lab

Gergert's lab

Gergert's lab



Gergert's lab

Gergert's lab

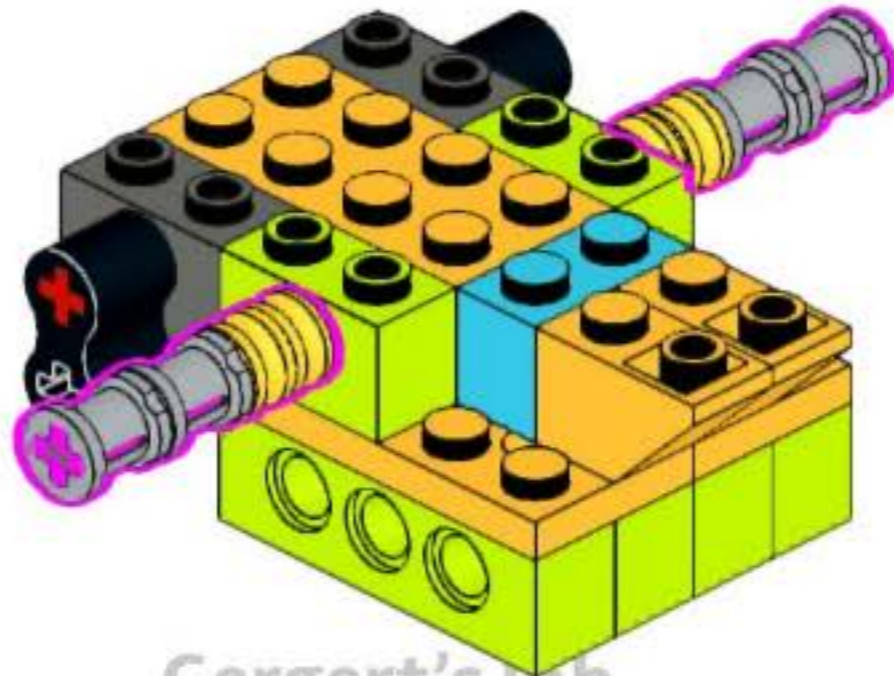
Gergert's lab



Gergert's lab

Gergert's lab

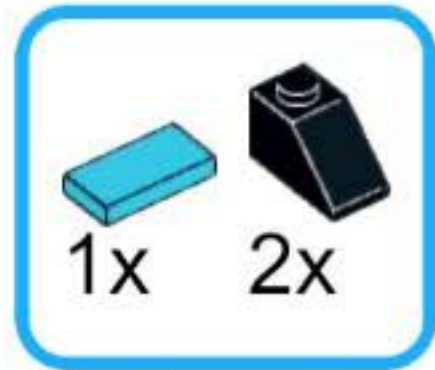
Gergert's lab



Gergert's lab

Gergert's lab

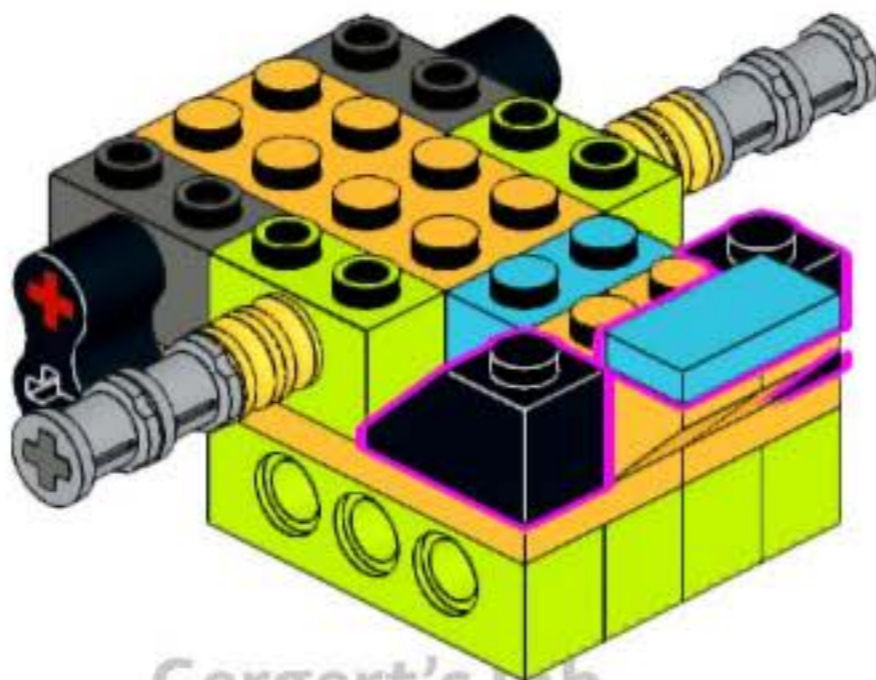
Gergert's lab



Gergert's lab

Gergert's lab

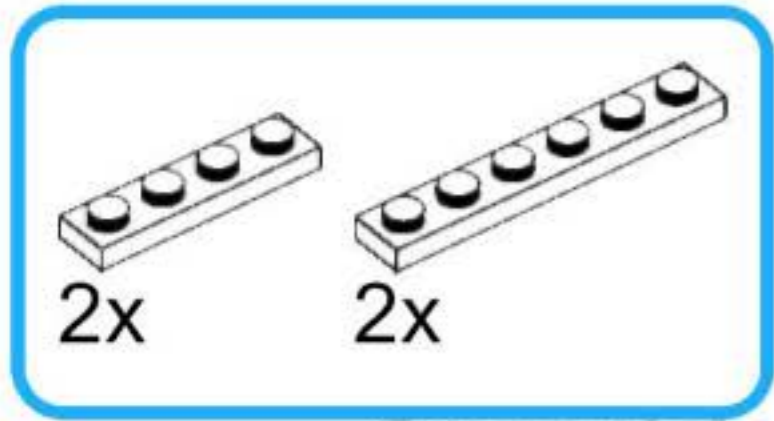
Gergert's lab



Gergert's lab

Gergert's lab

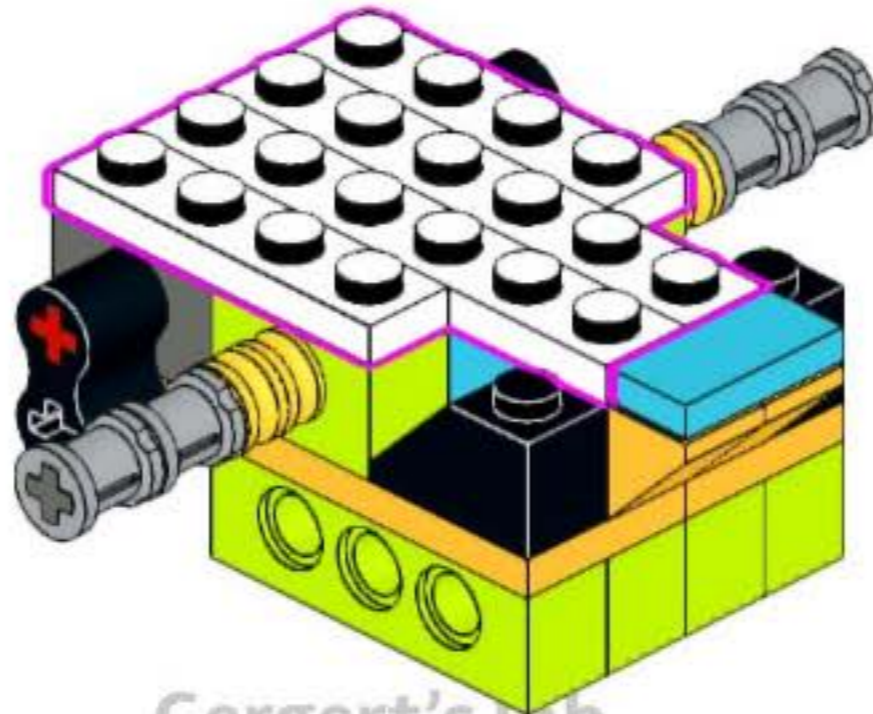
Gergert's lab



Gergert's lab

Gergert's lab

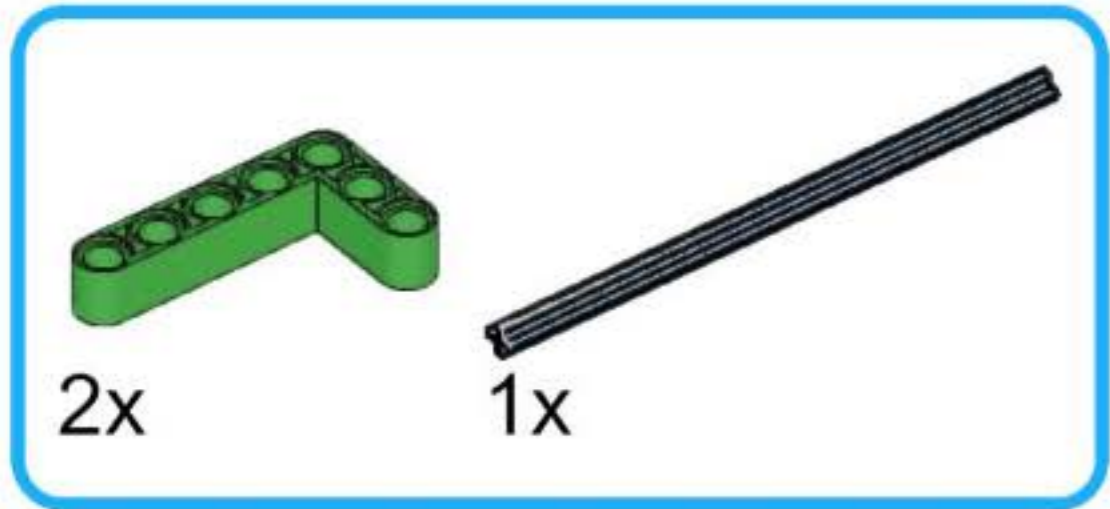
Gergert's lab



Gergert's lab

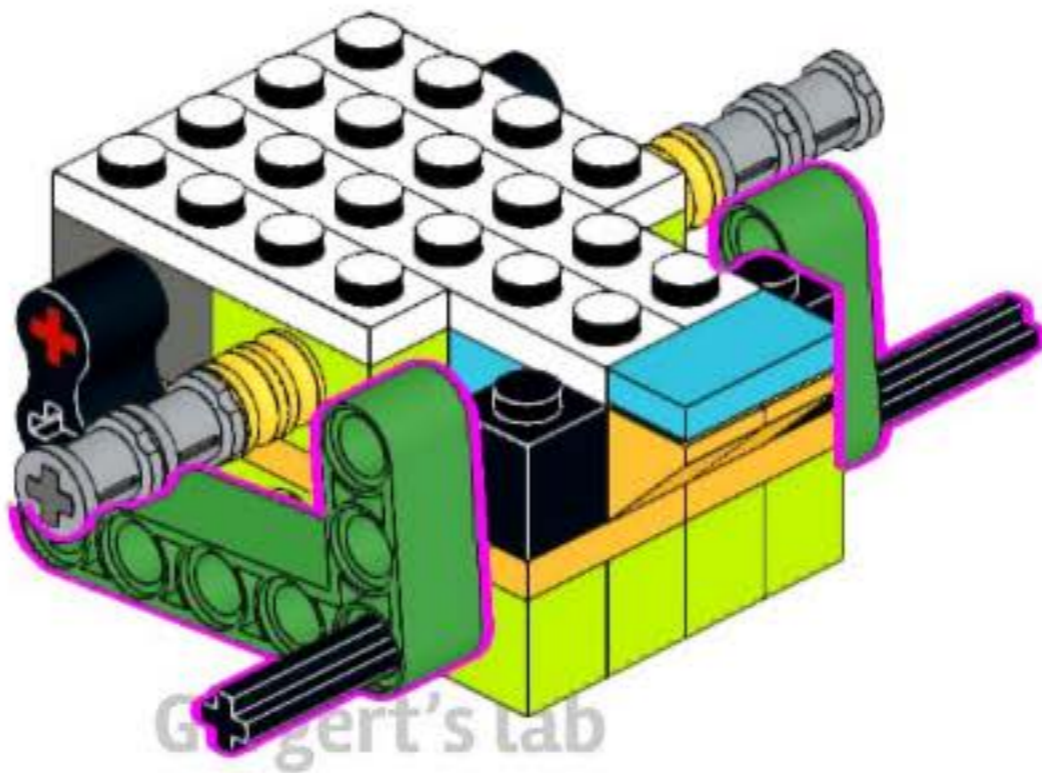
Gergert's lab

Gergert's lab



Gergert's lab

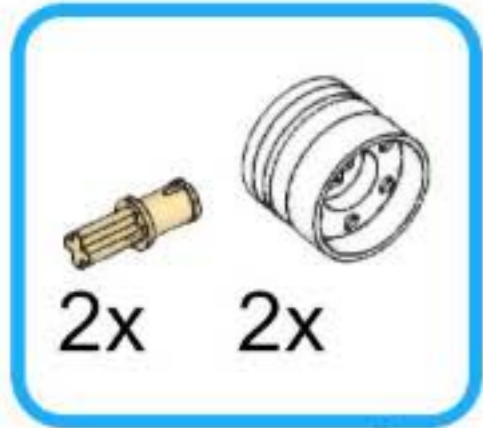
Gergert's lab



Gergert's lab

Gergert's lab

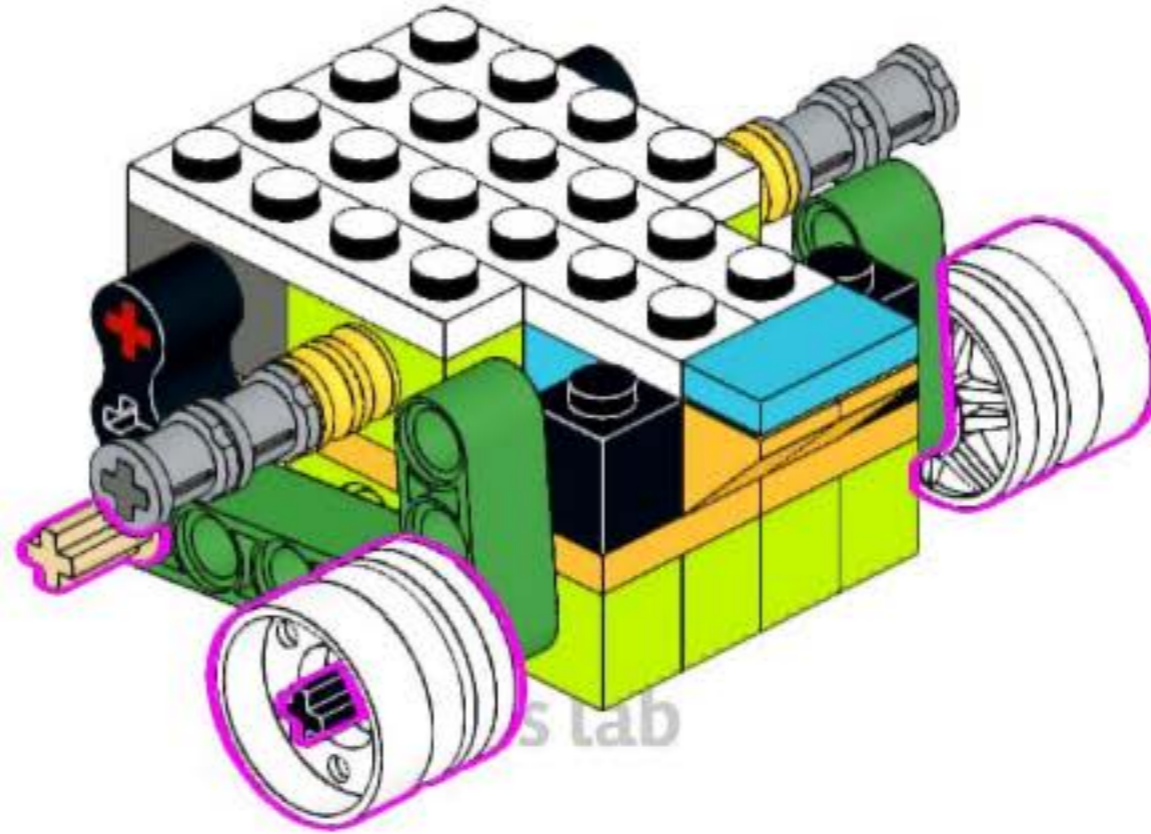
Gergert's lab



Gergert's lab

Gergert's lab

Gergert's lab



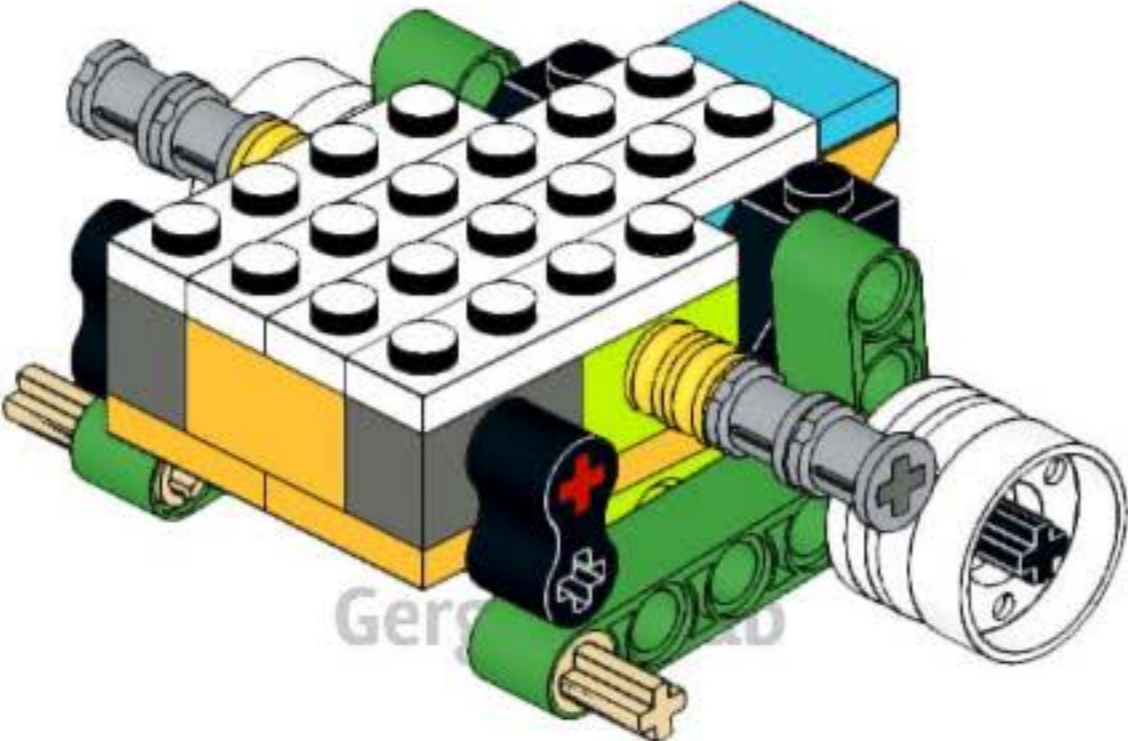
Gergert's lab

Gergert's lab

Gergert's lab

Gergert's lab

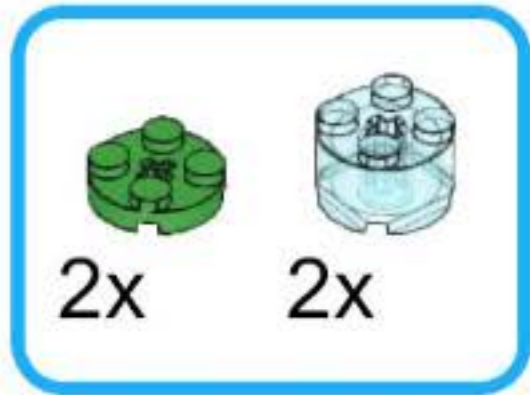
Gergert's lab



Gergert's lab

Gergert's lab

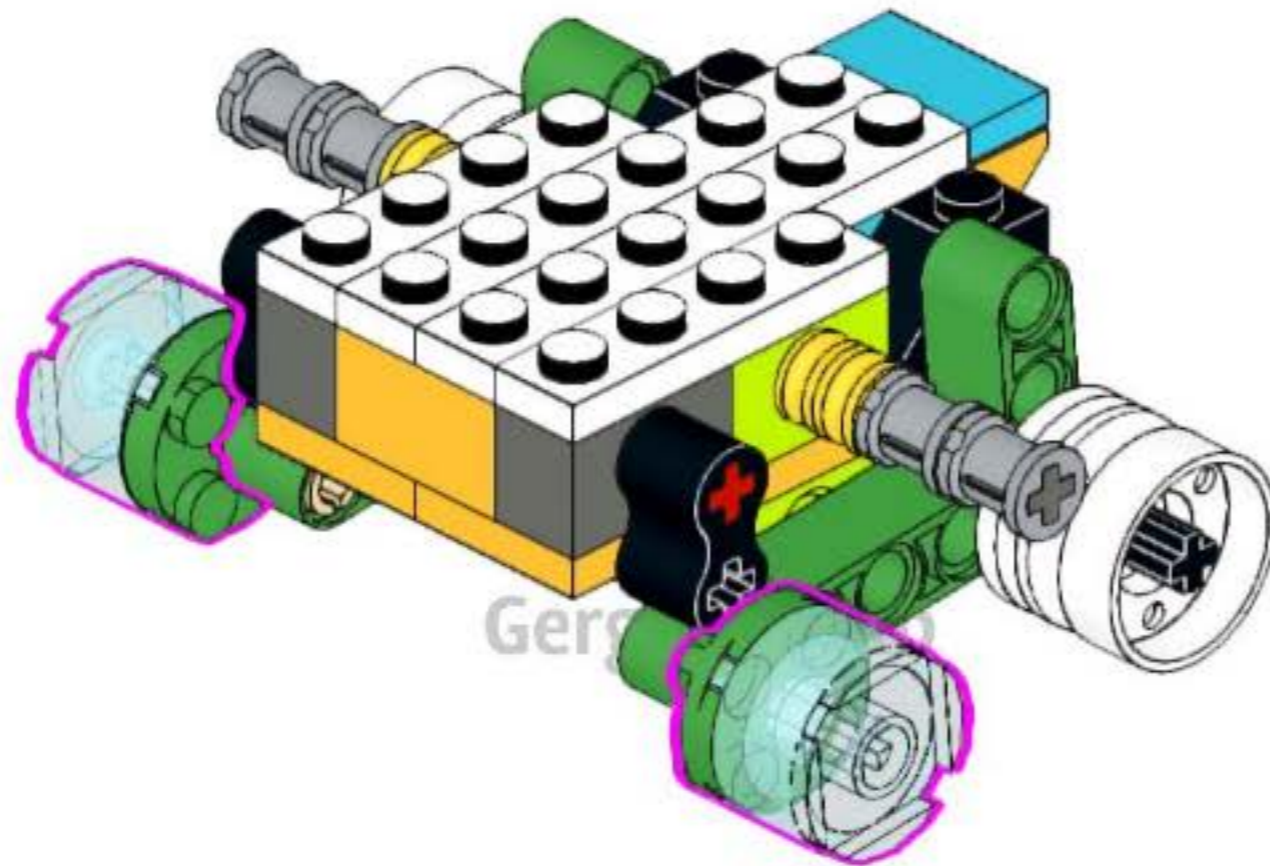
Gergert's lab



Gergert's lab

Gergert's lab

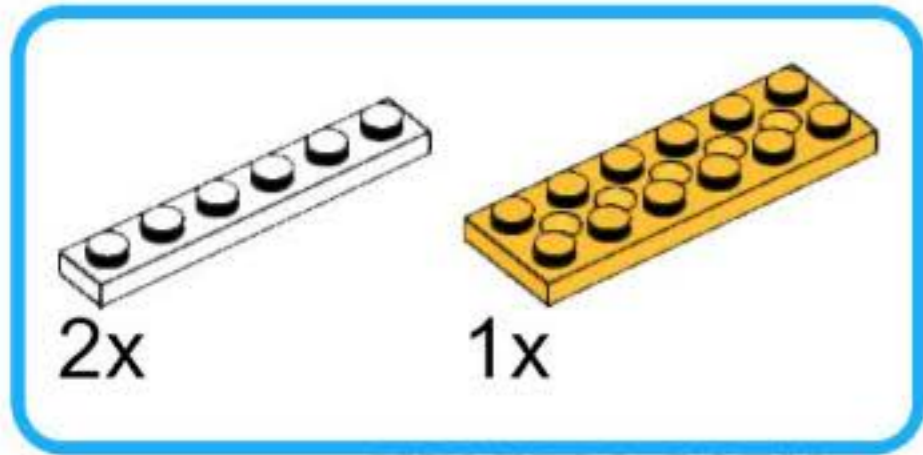
Gergert's lab



Gergert's lab

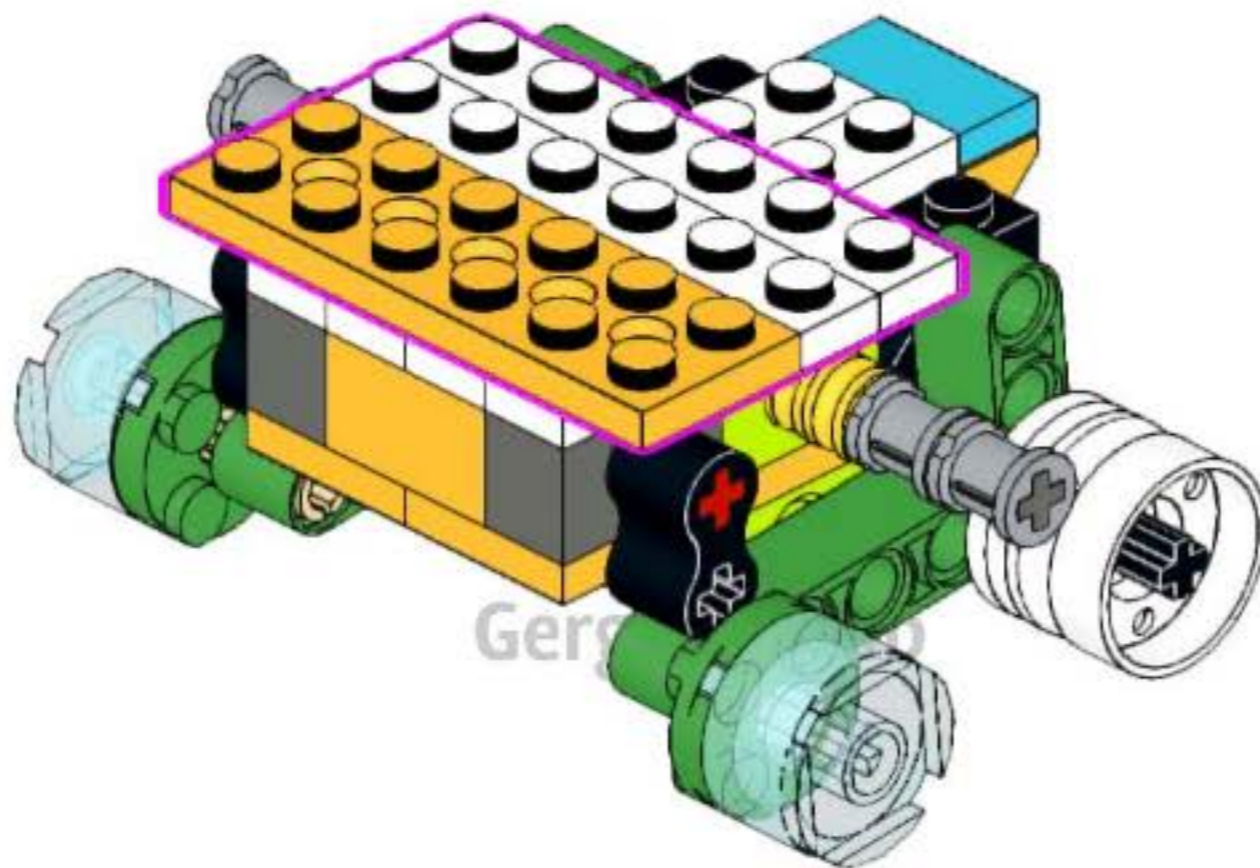
Gergert's lab

Gergert's lab



Gergert's lab

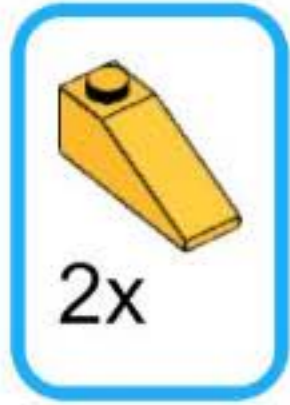
Gergert's lab



Gergert's lab

Gergert's lab

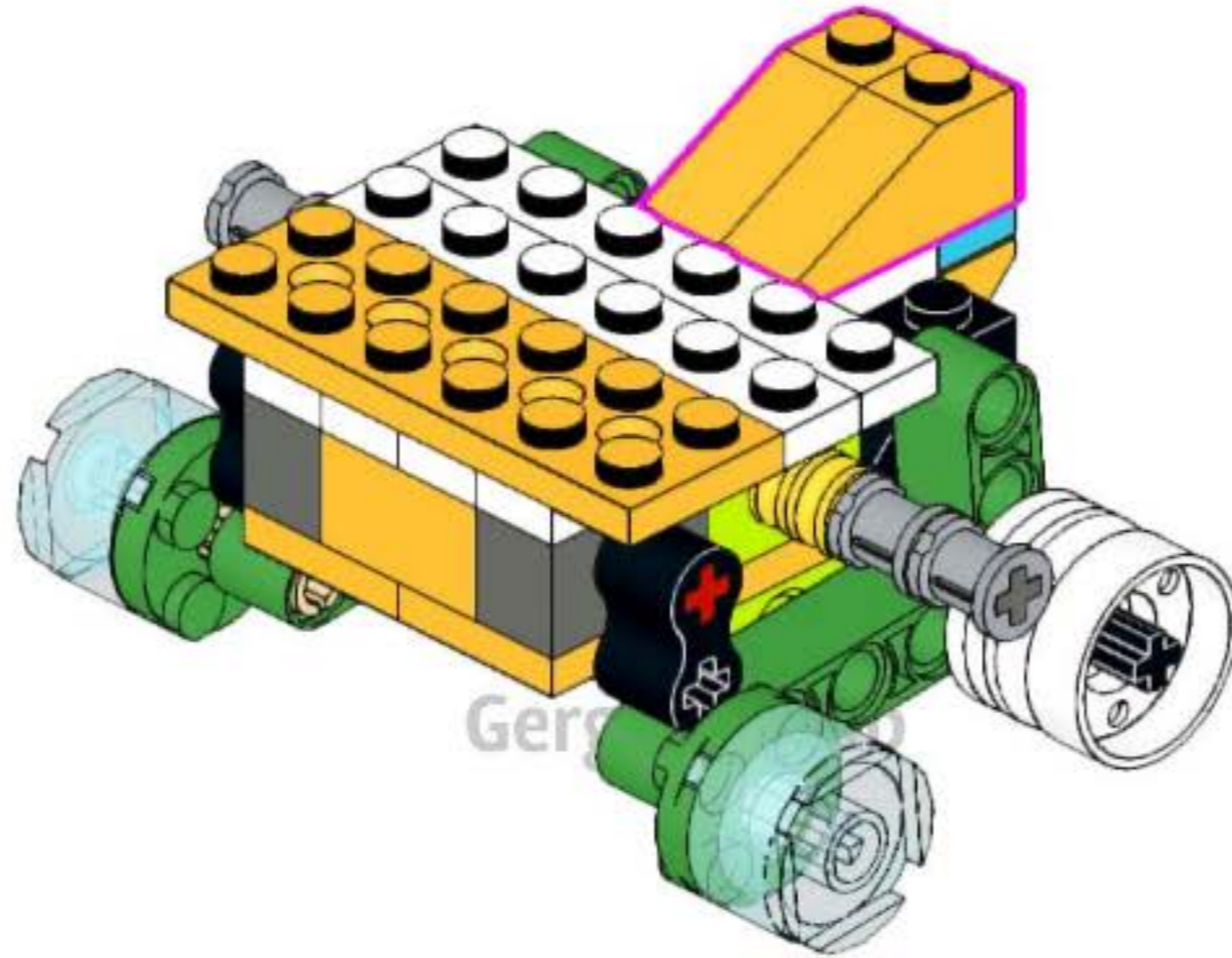
Gergert's lab



Gergert's lab

Gergert's lab

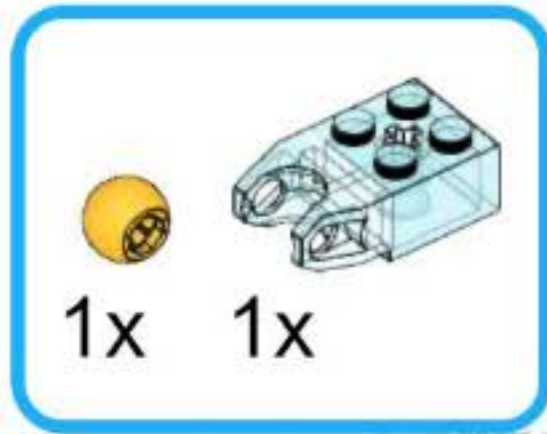
Gergert's lab



Gergert's lab

Gergert's lab

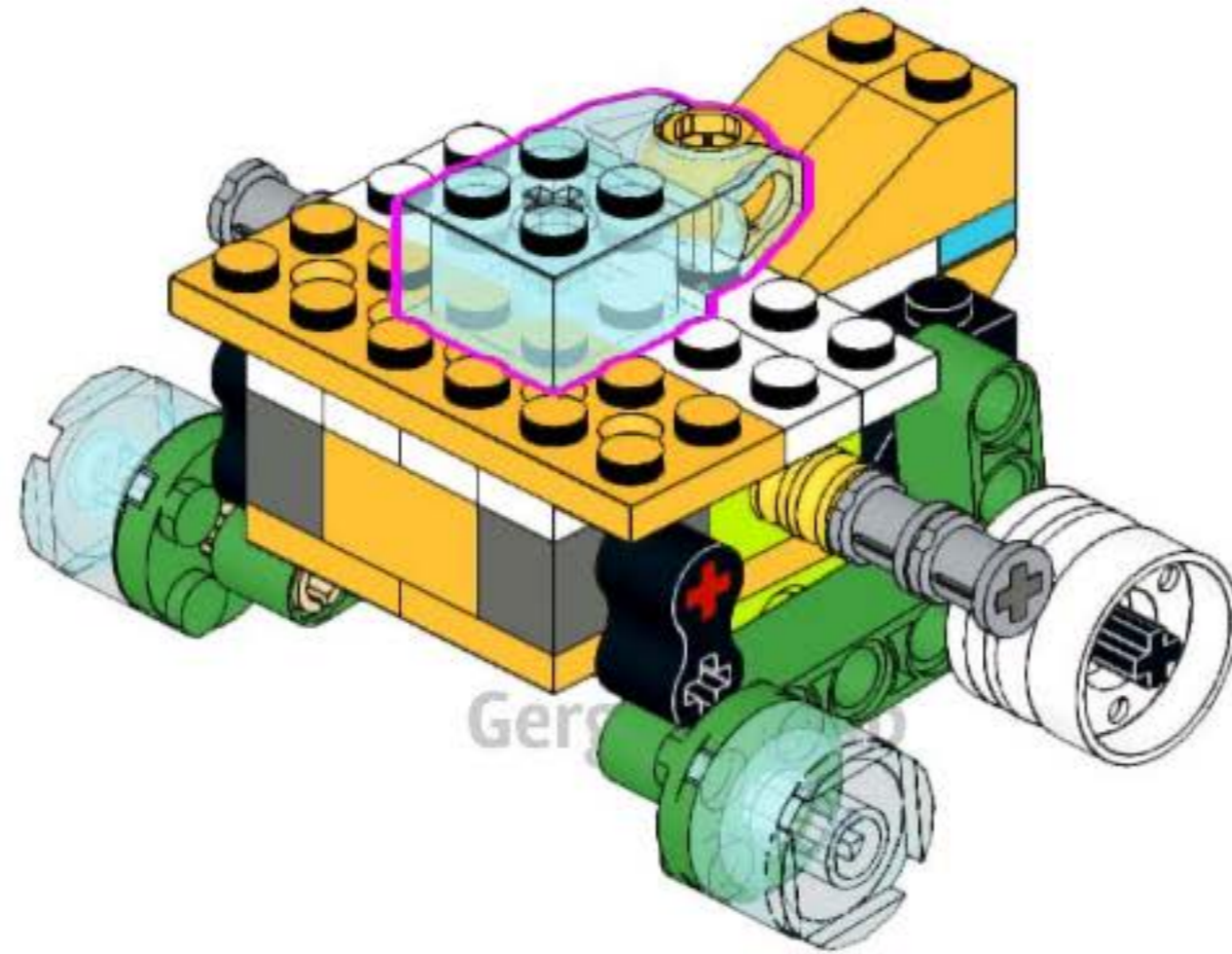
Gergert's lab



Gergert's lab

Gergert's lab

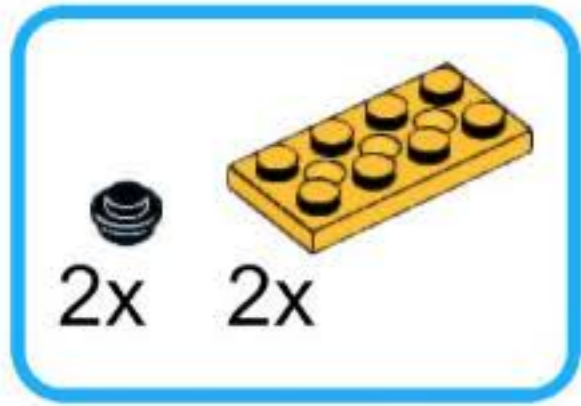
Gergert's lab



Gergert's lab

Gergert's lab

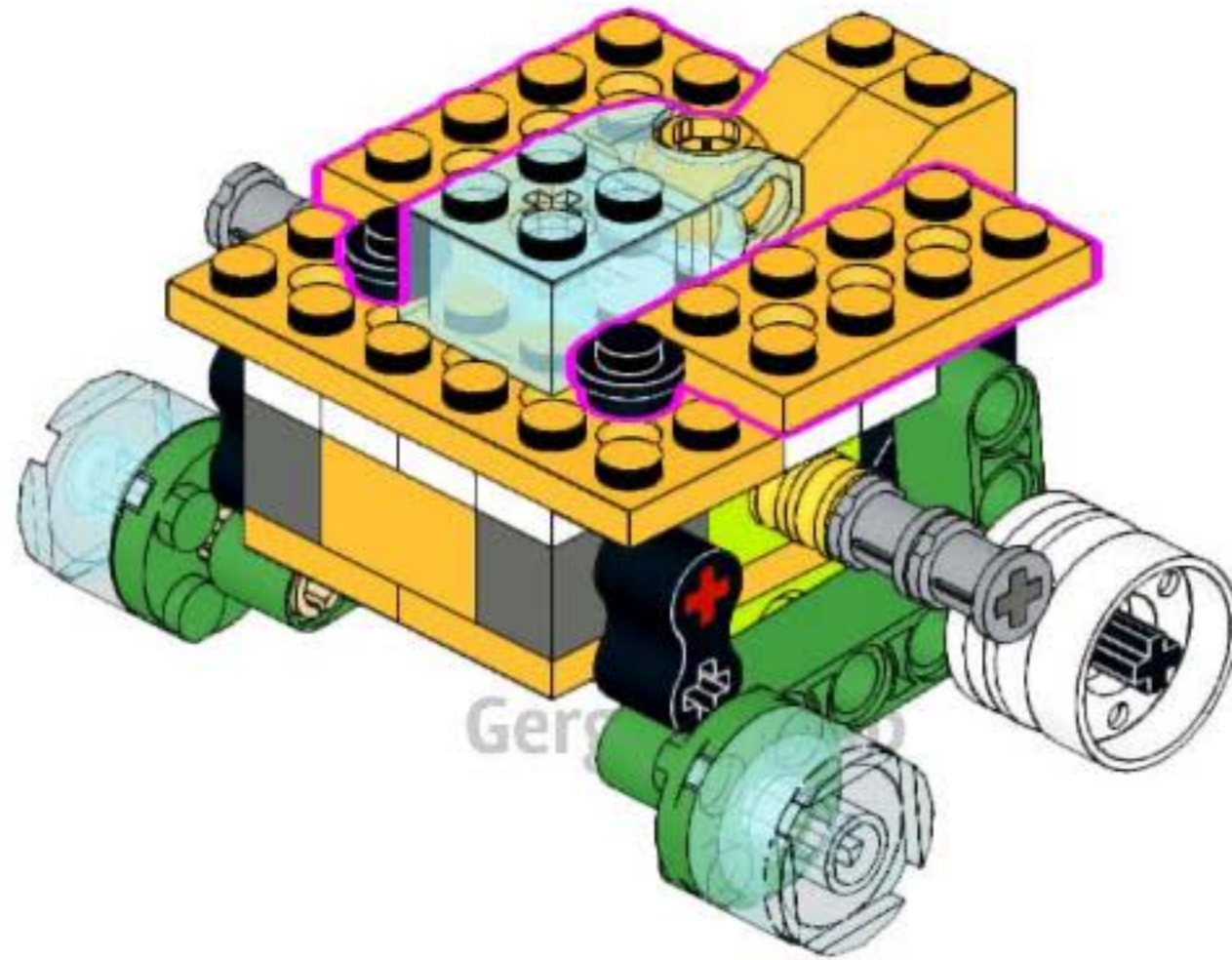
Gergert's lab



Gergert's lab

Gergert's lab

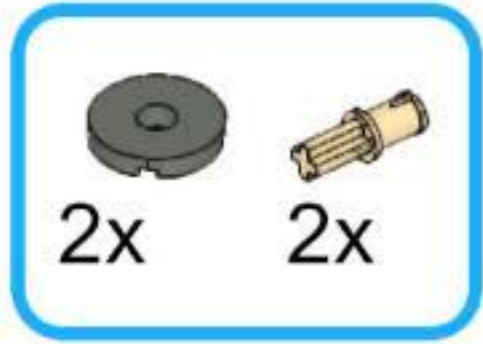
Gergert's lab



Gergert's lab

Gergert's lab

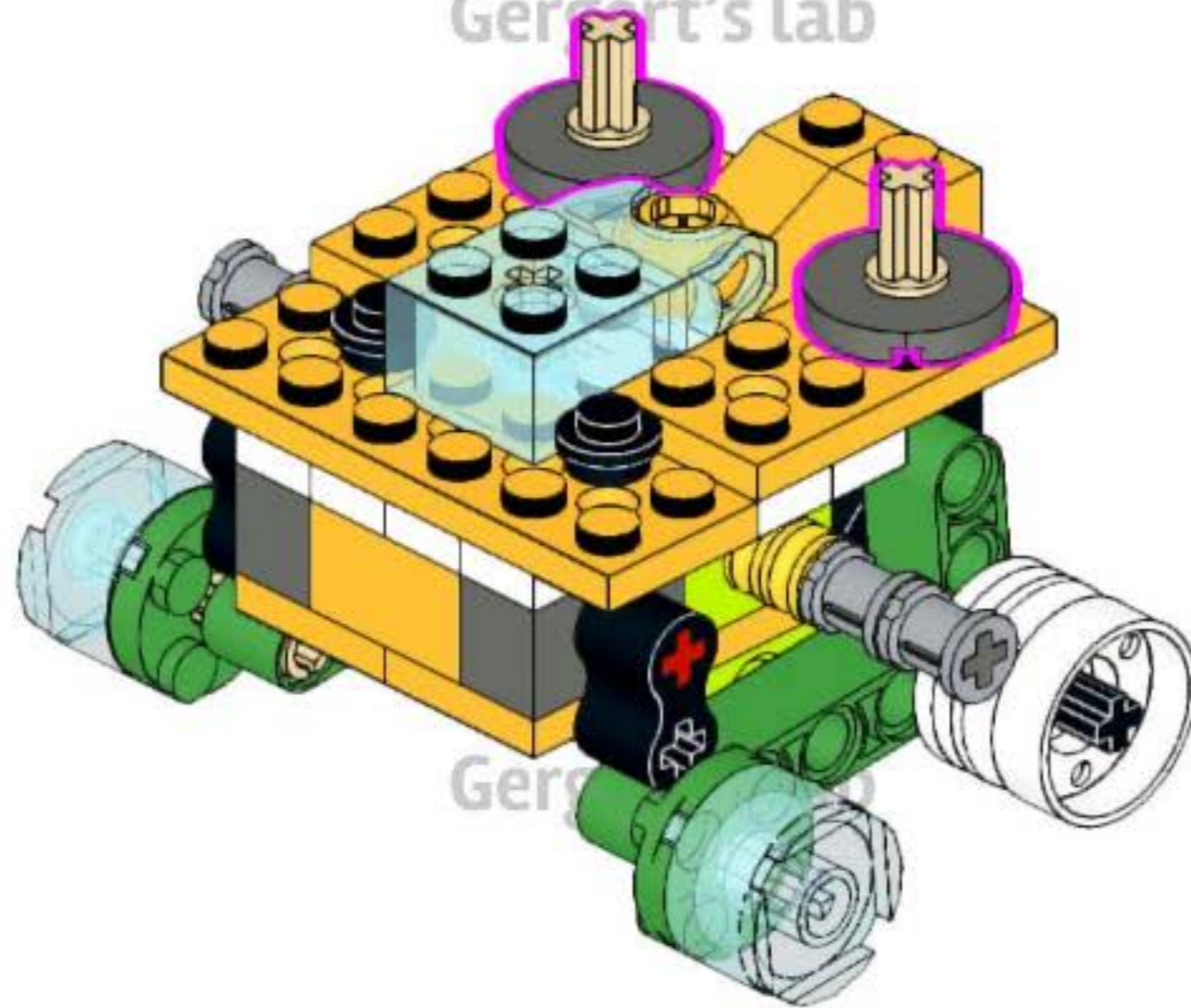
Gergert's lab



Gergert's lab

Gergert's lab

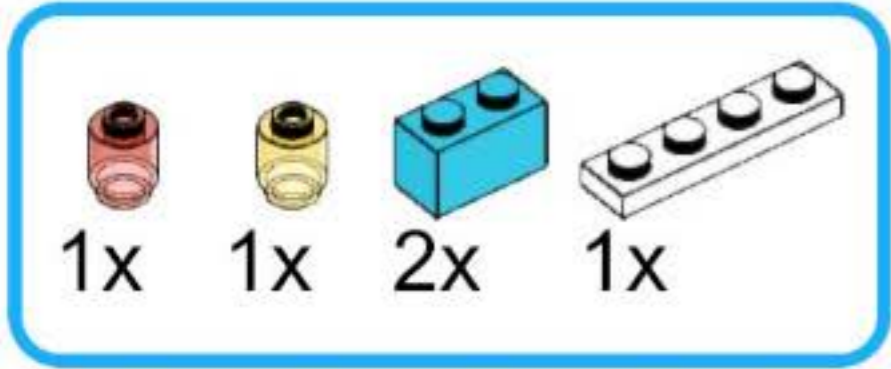
Gergert's lab



Gergert's lab

Gergert's lab

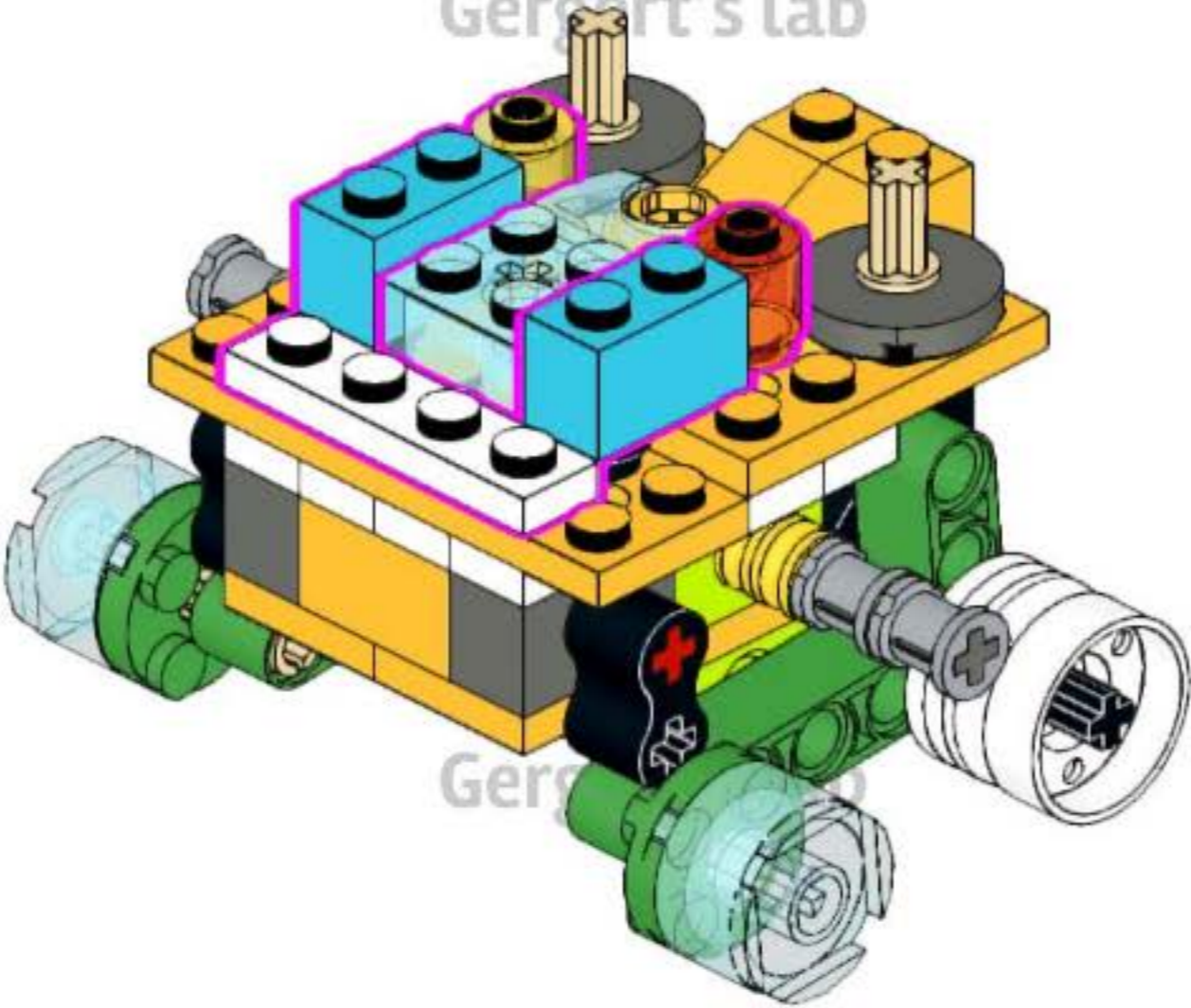
Gergert's lab



Gergert's lab

Gergert's lab

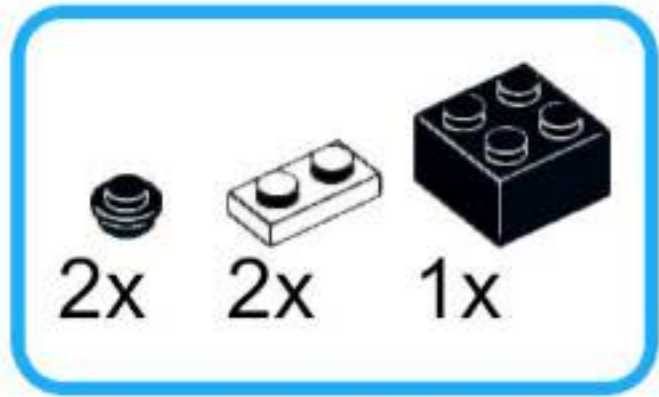
Gergert's lab



Gergert's lab

Gergert's lab

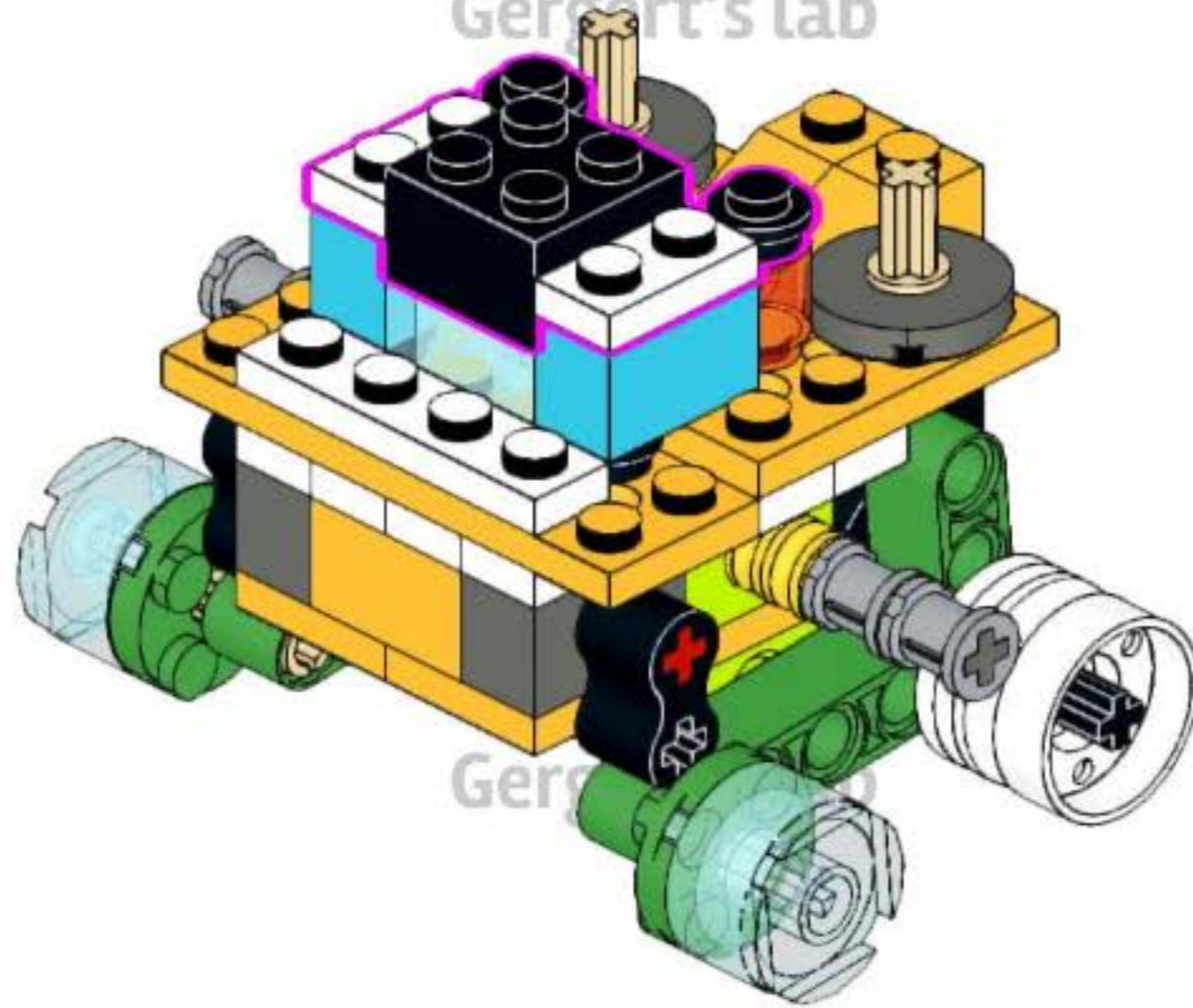
Gergert's lab



Gergert's lab

Gergert's lab

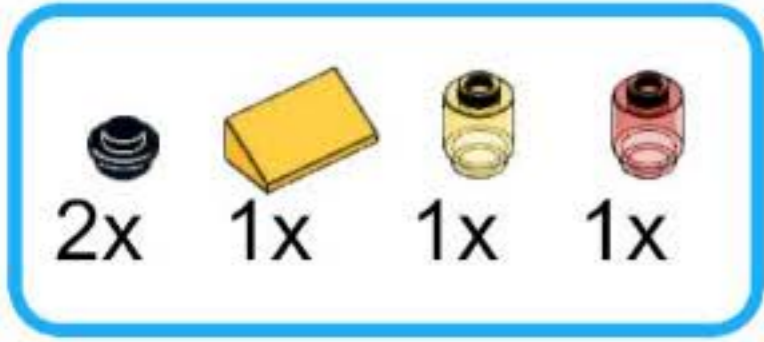
Gergert's lab



Gergert's lab

Gergert's lab

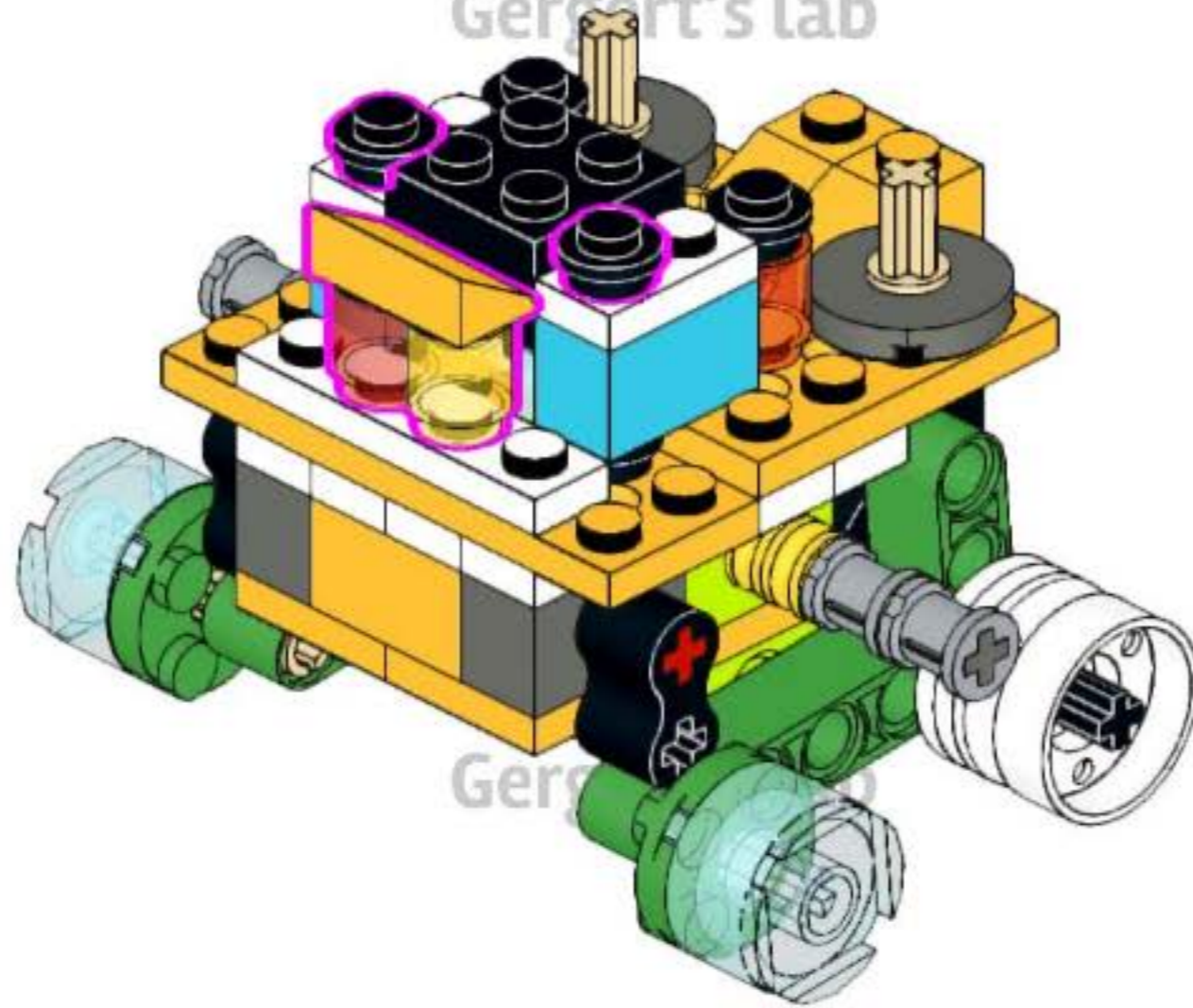
Gergert's lab



Gergert's lab

Gergert's lab

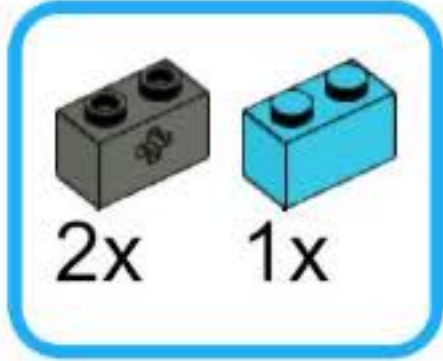
Gergert's lab



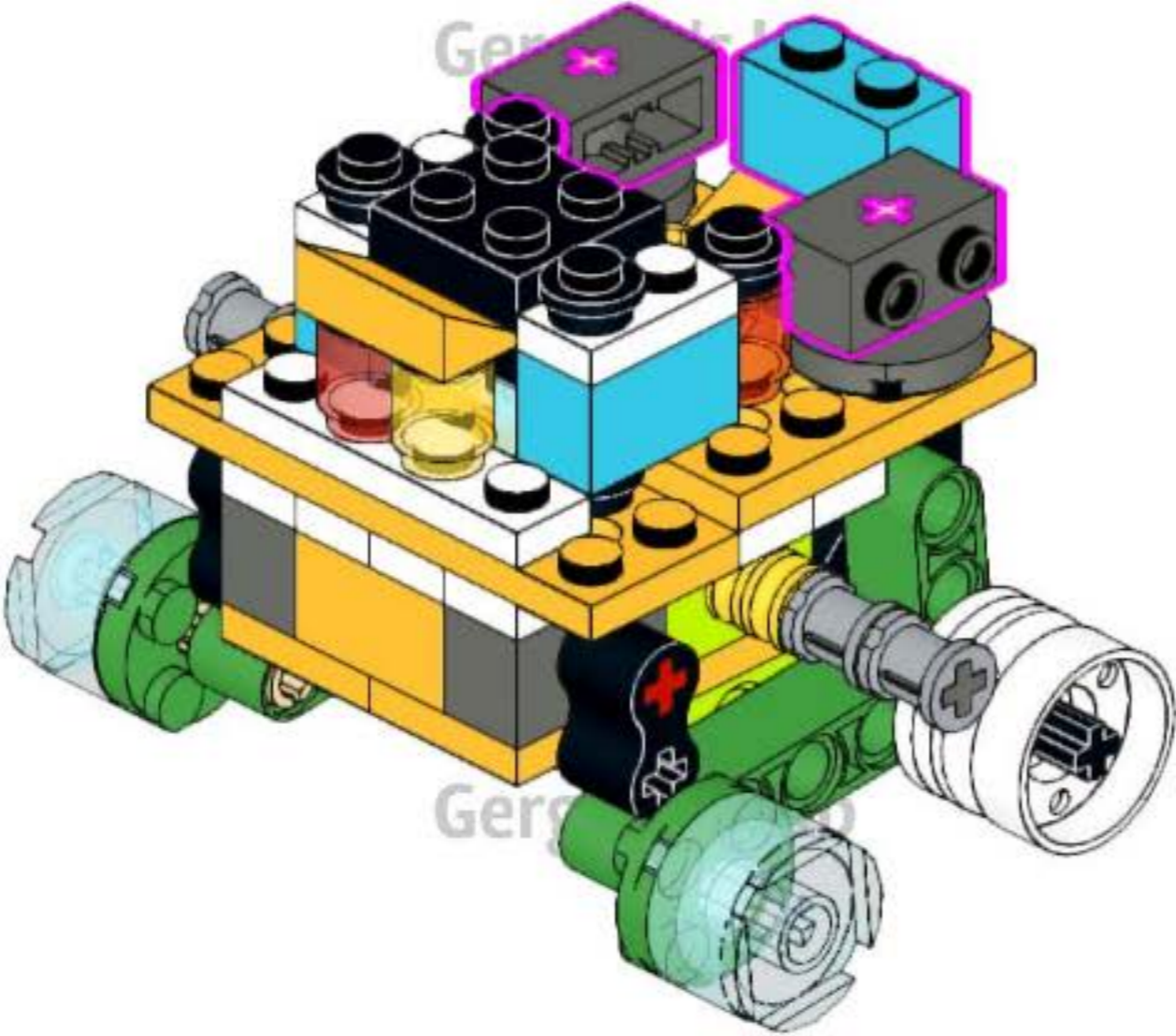
Gergert's lab

Gergert's lab

Gergert's lab



Gergert's lab

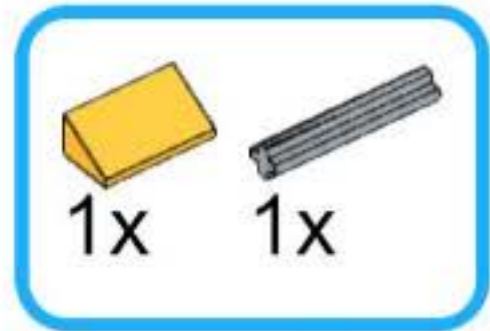


Gergert's lab

Gergert's lab

Gergert's lab

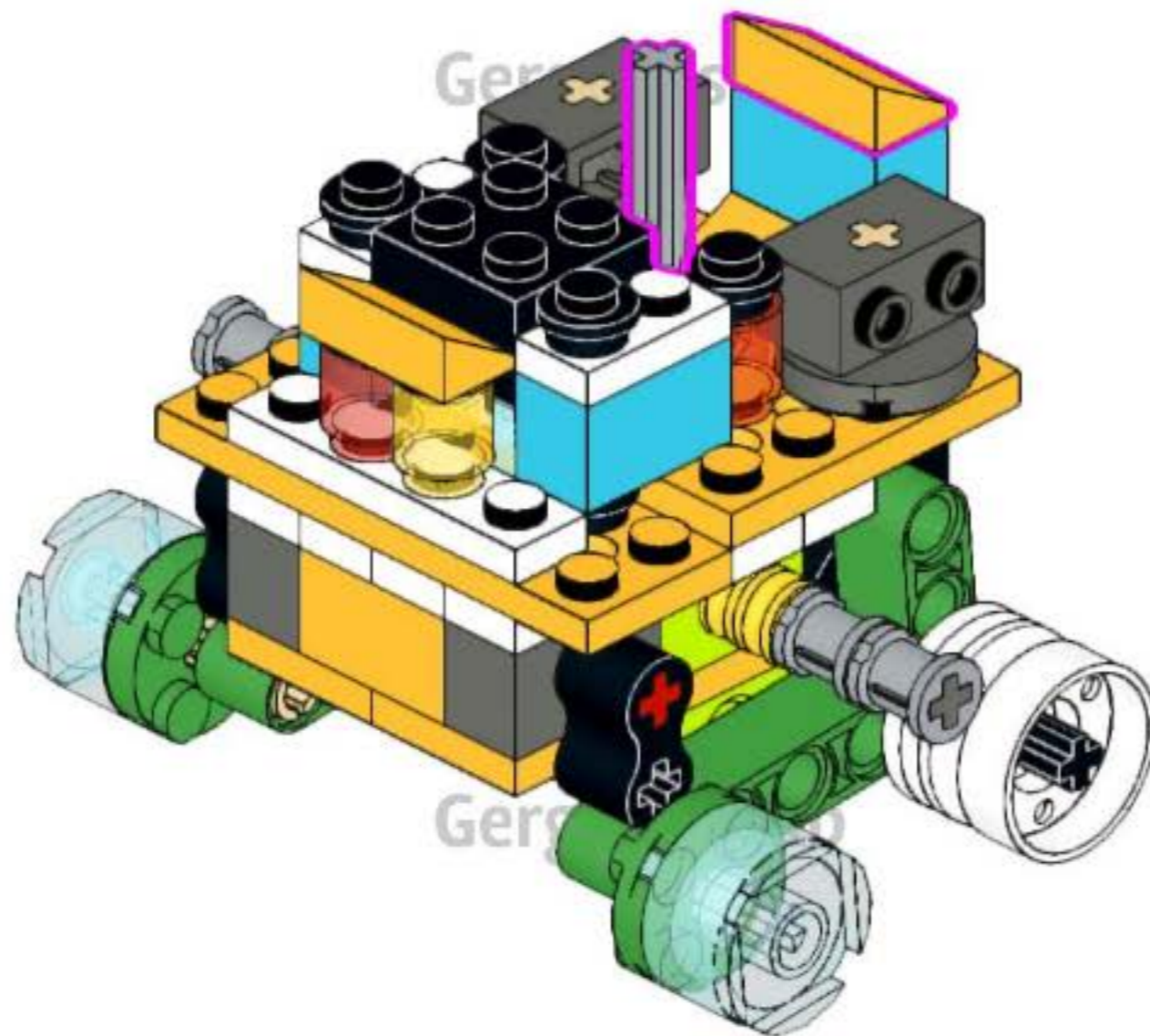
Gergert's lab



Gergert's lab

Gergert's lab

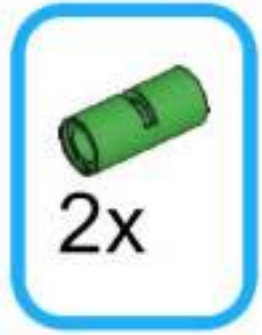
Gergert's lab



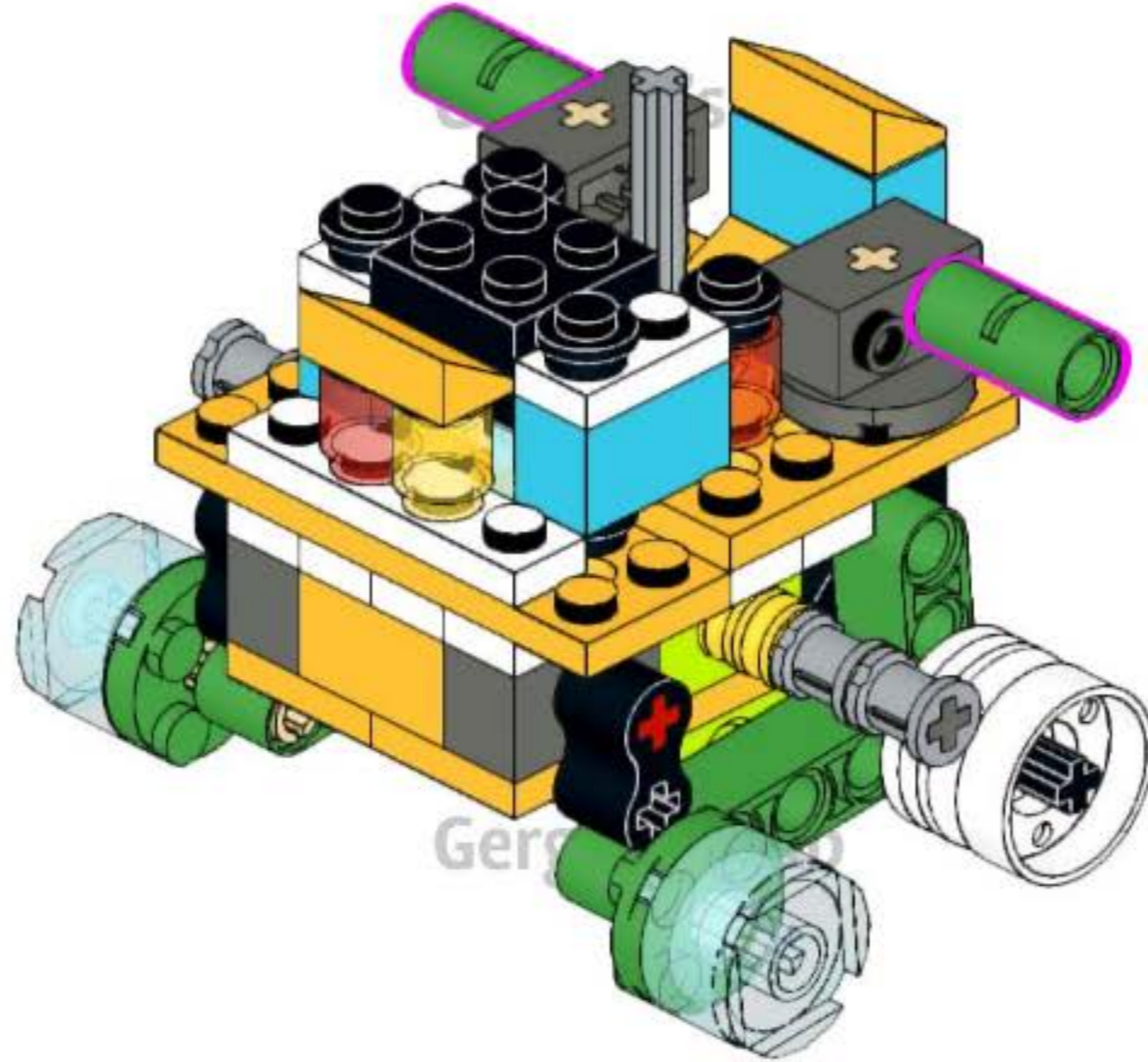
Gergert's lab

Gergert's lab

Gergert's lab



Gergert's lab

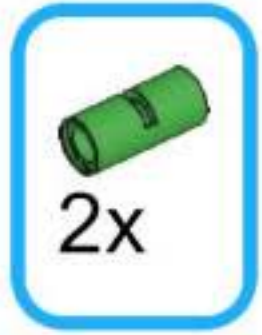


Gergert's lab

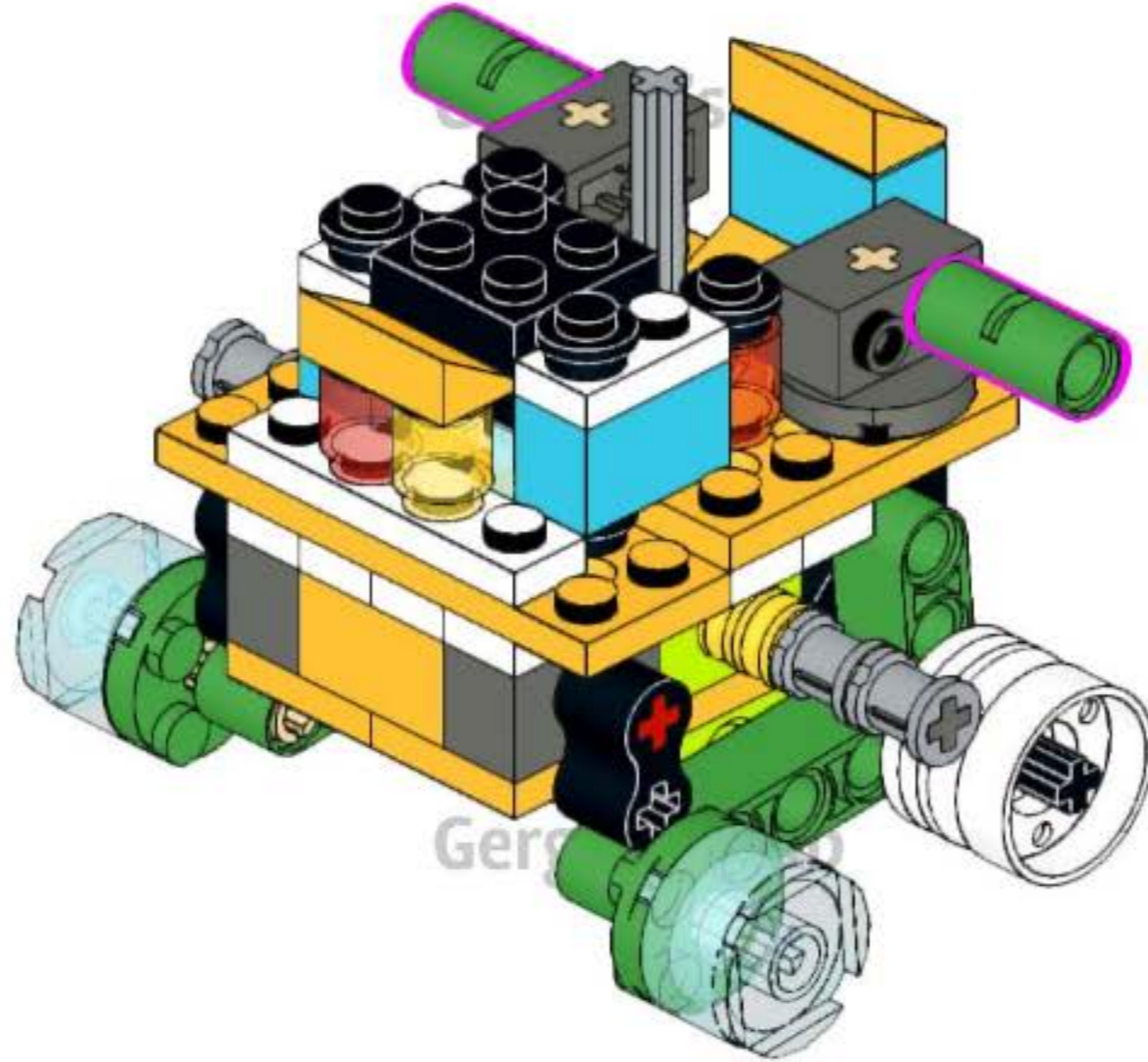
Gergert's lab

Gergert's lab

Gergert's lab



Gergert's lab



Gergert's lab

Gergert's lab

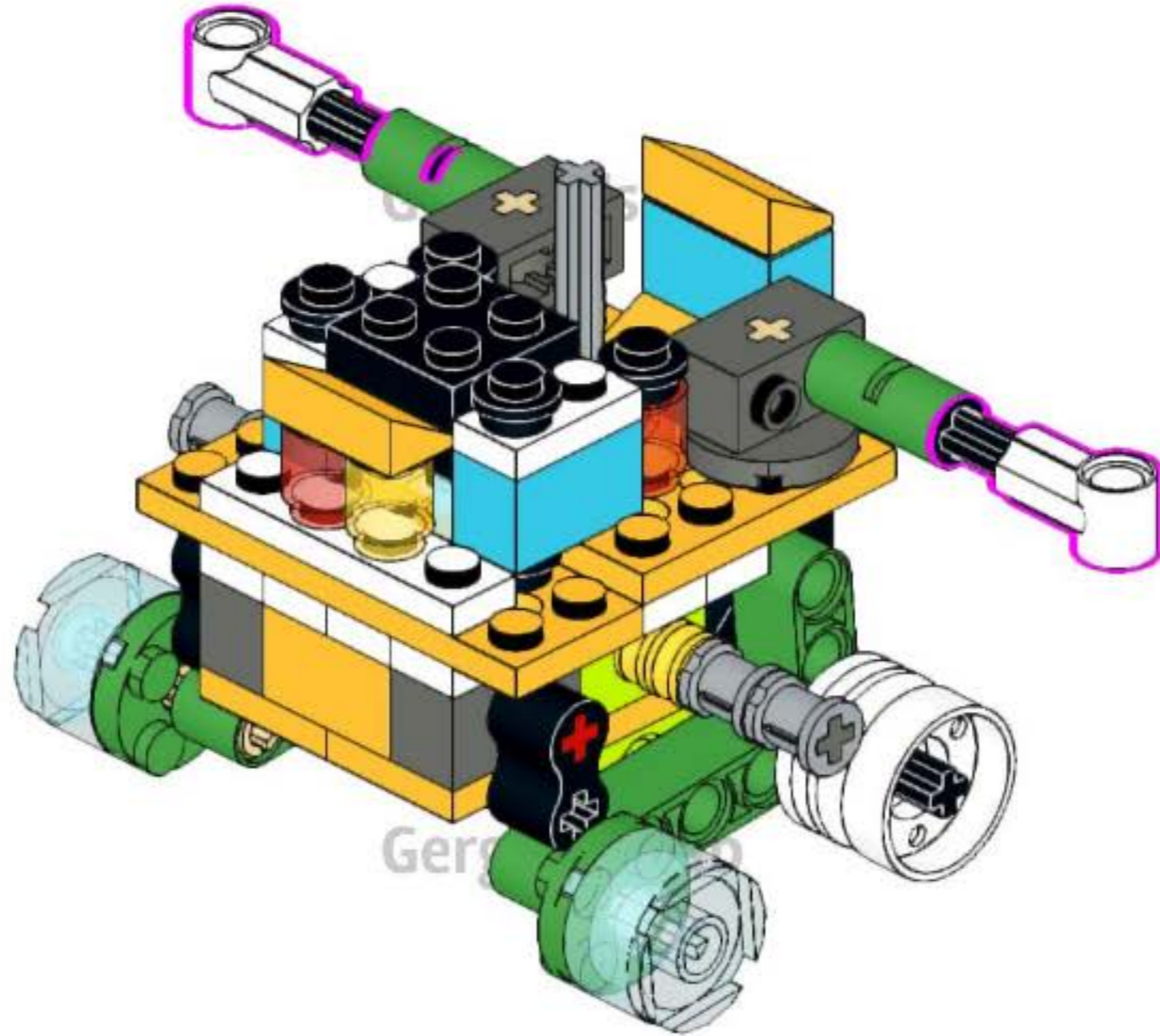
Gergert's lab

Gergert's lab



Gergert's lab

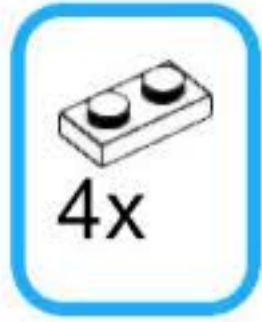
Gergert's lab



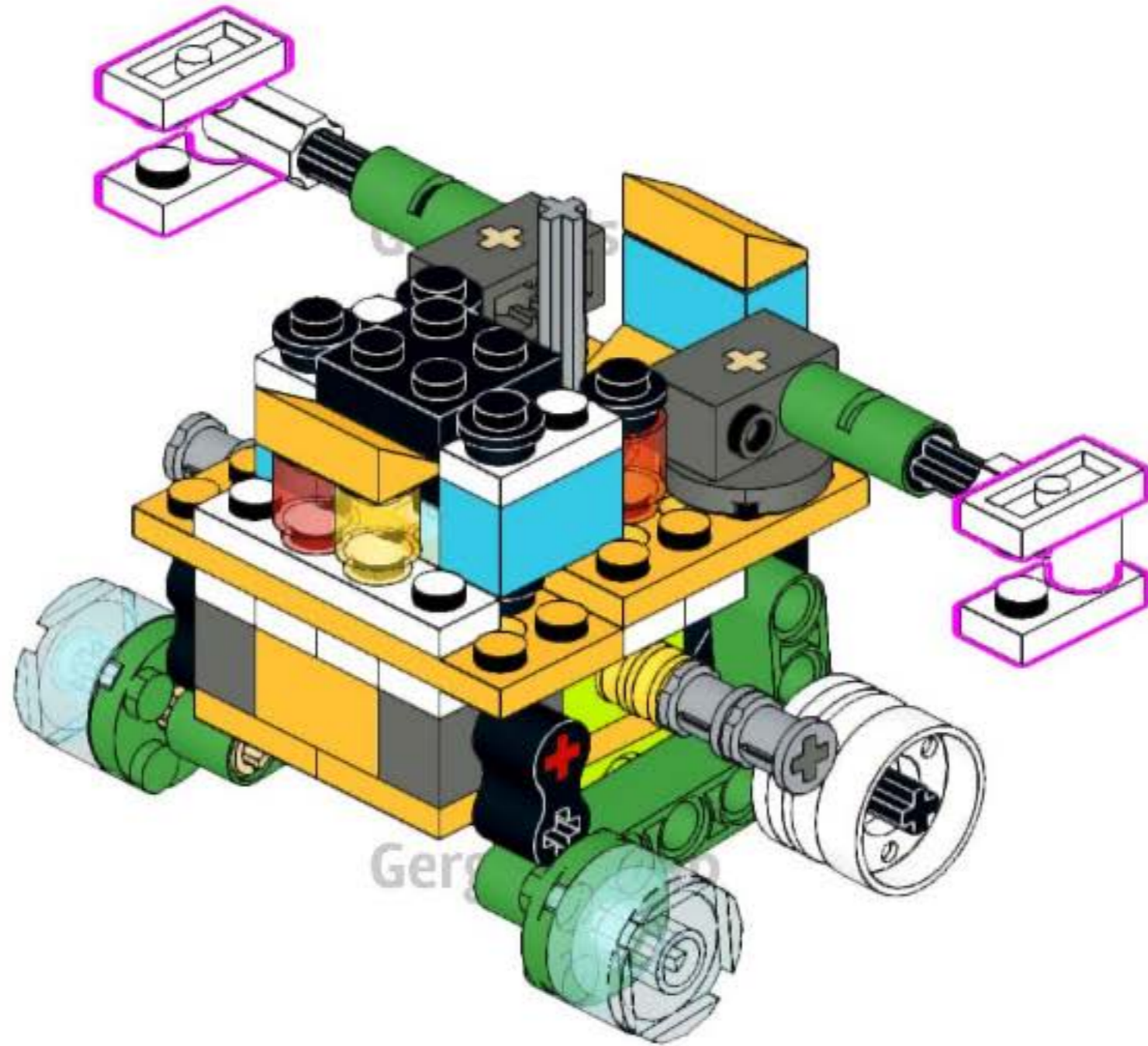
Gergert's lab

Gergert's lab

Gergert's lab



Gergert's lab

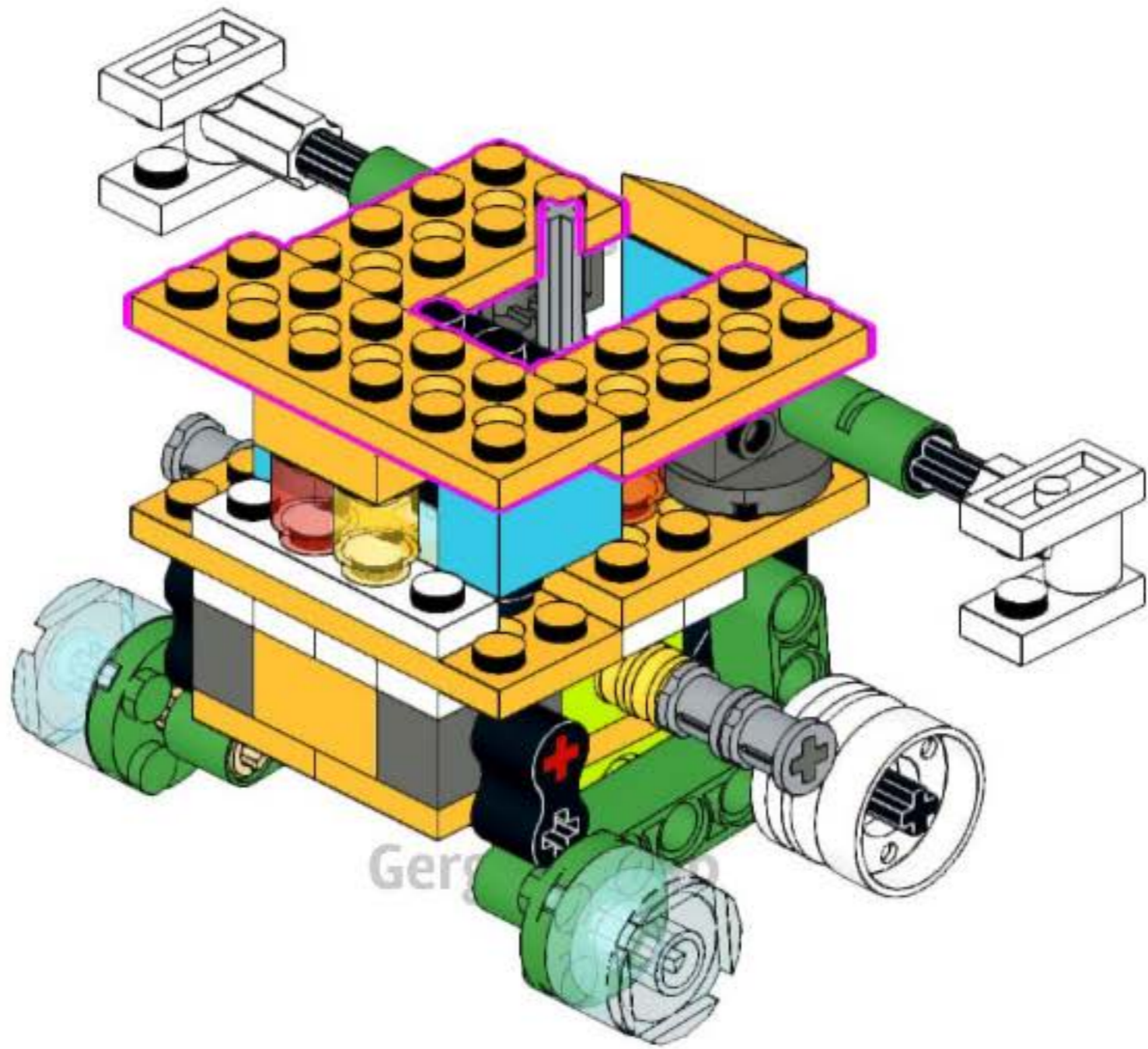
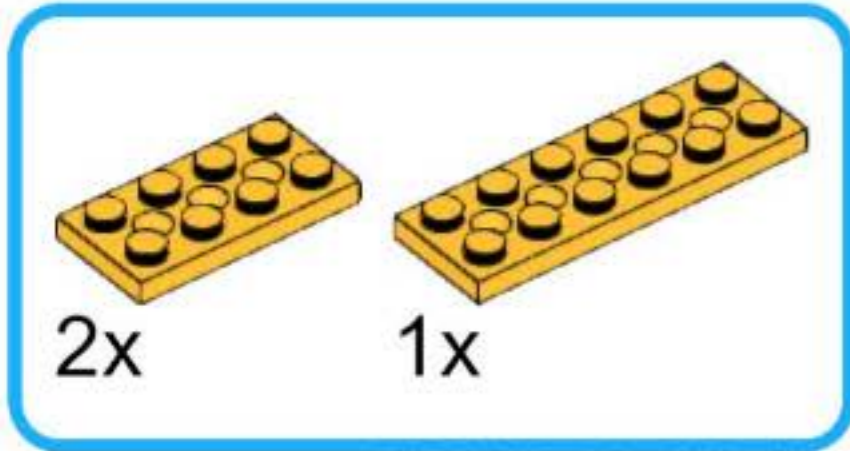


Gergert's lab

Gergert's lab

Gergert's lab

Gergert's lab

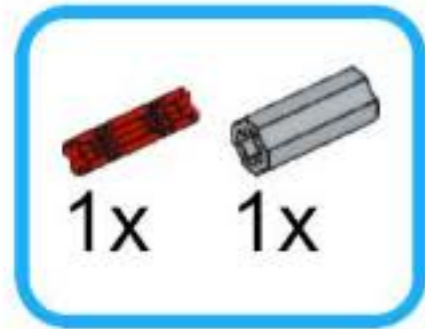


Gergert's lab

Gergert's lab

Gergert's lab

Gergert's lab



Gergert's lab

Gergert's lab

Gergert's lab



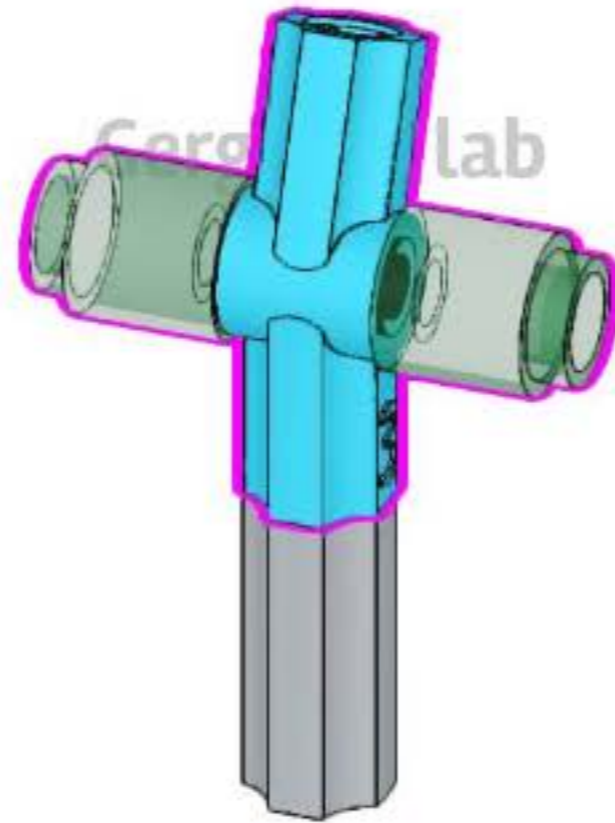
Gergert's lab

Gergert's lab

Gergert's lab



Gergert's lab

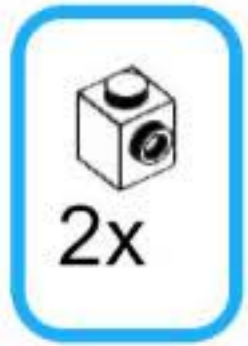


Gergert's lab

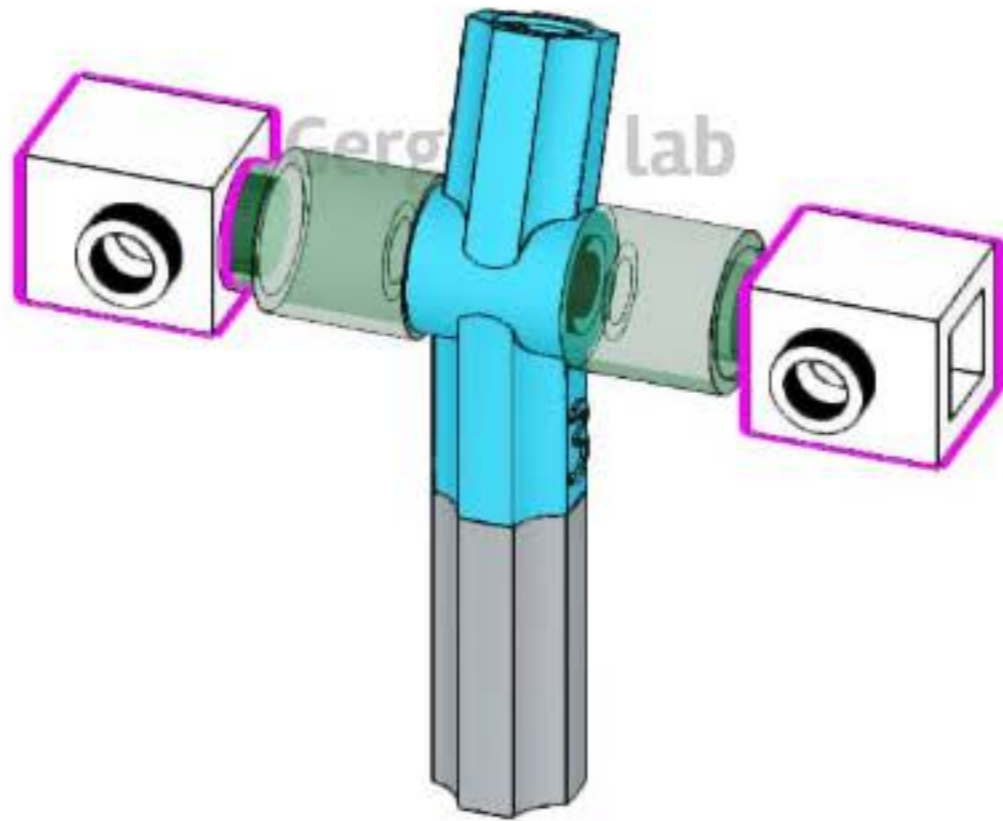
Gergert's lab

Gergert's lab

Gergert's lab



Gergert's lab

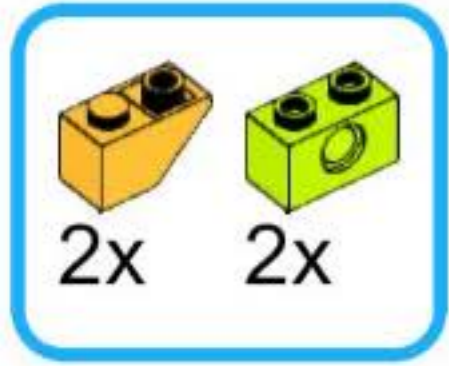


Gergert's lab

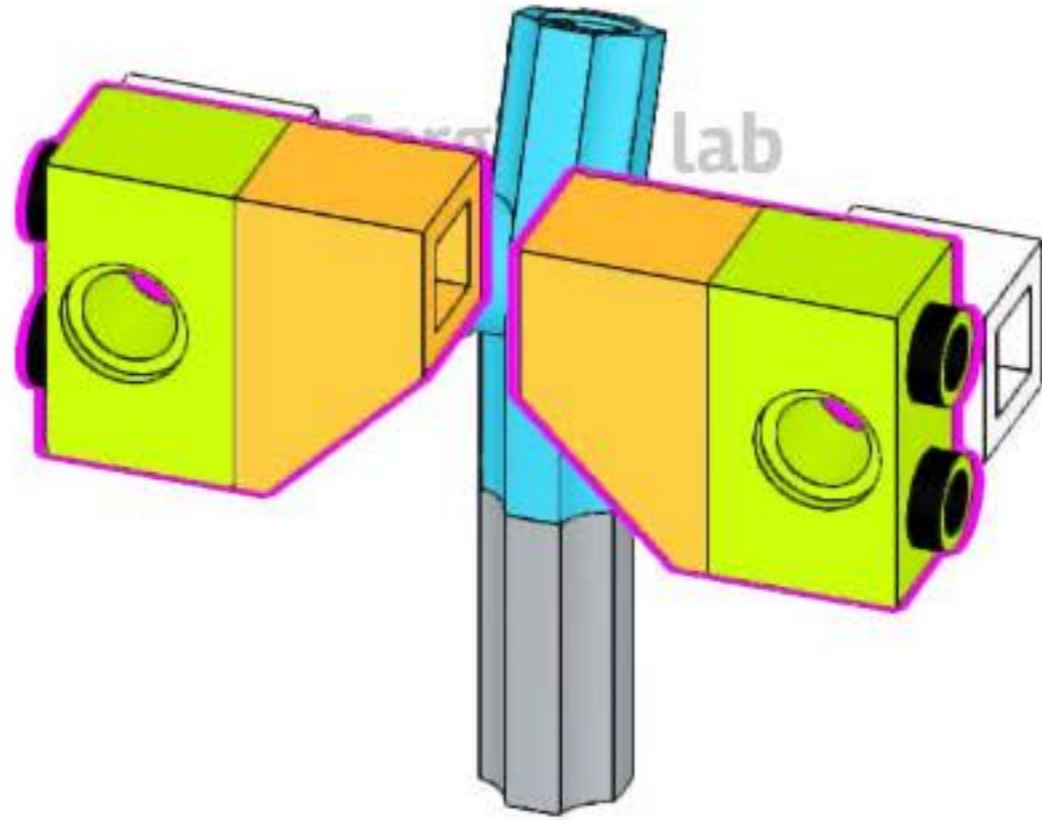
Gergert's lab

Gergert's lab

Gergert's lab



Gergert's lab

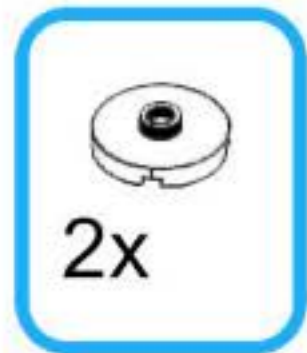


Gergert's lab

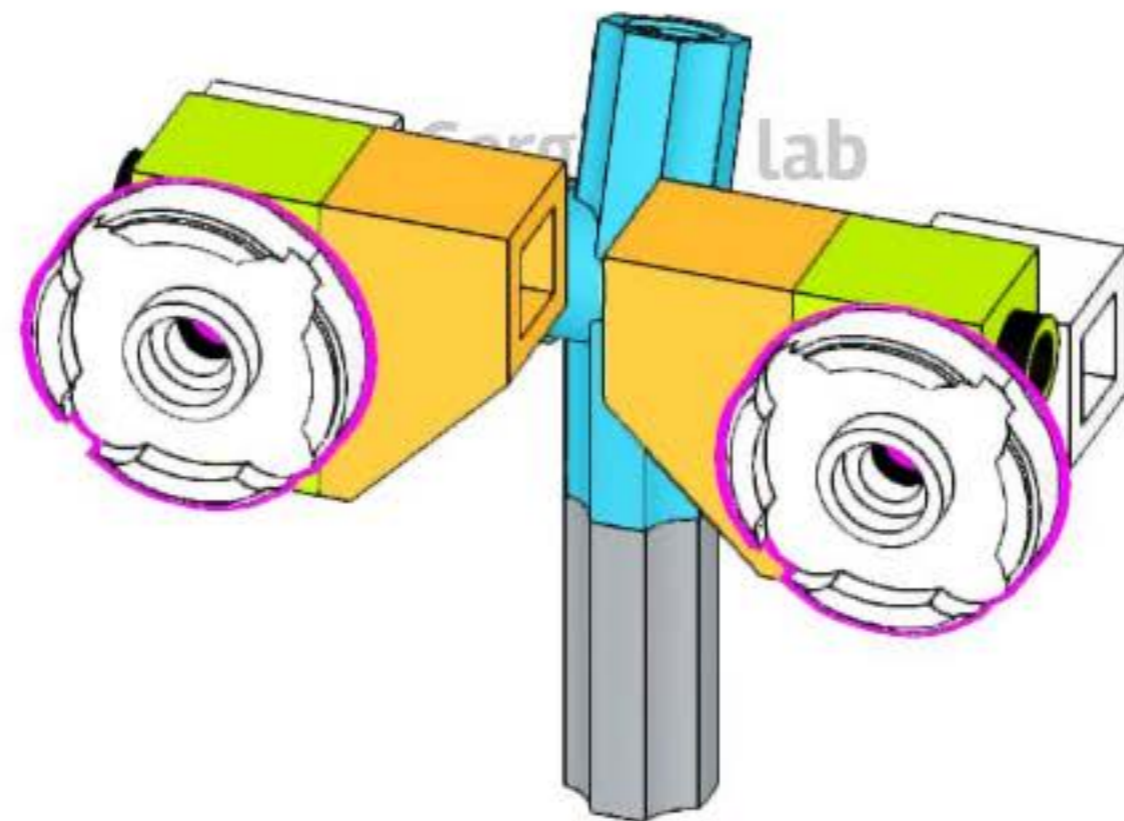
Gergert's lab

Gergert's lab

Gergert's lab



Gergert's lab



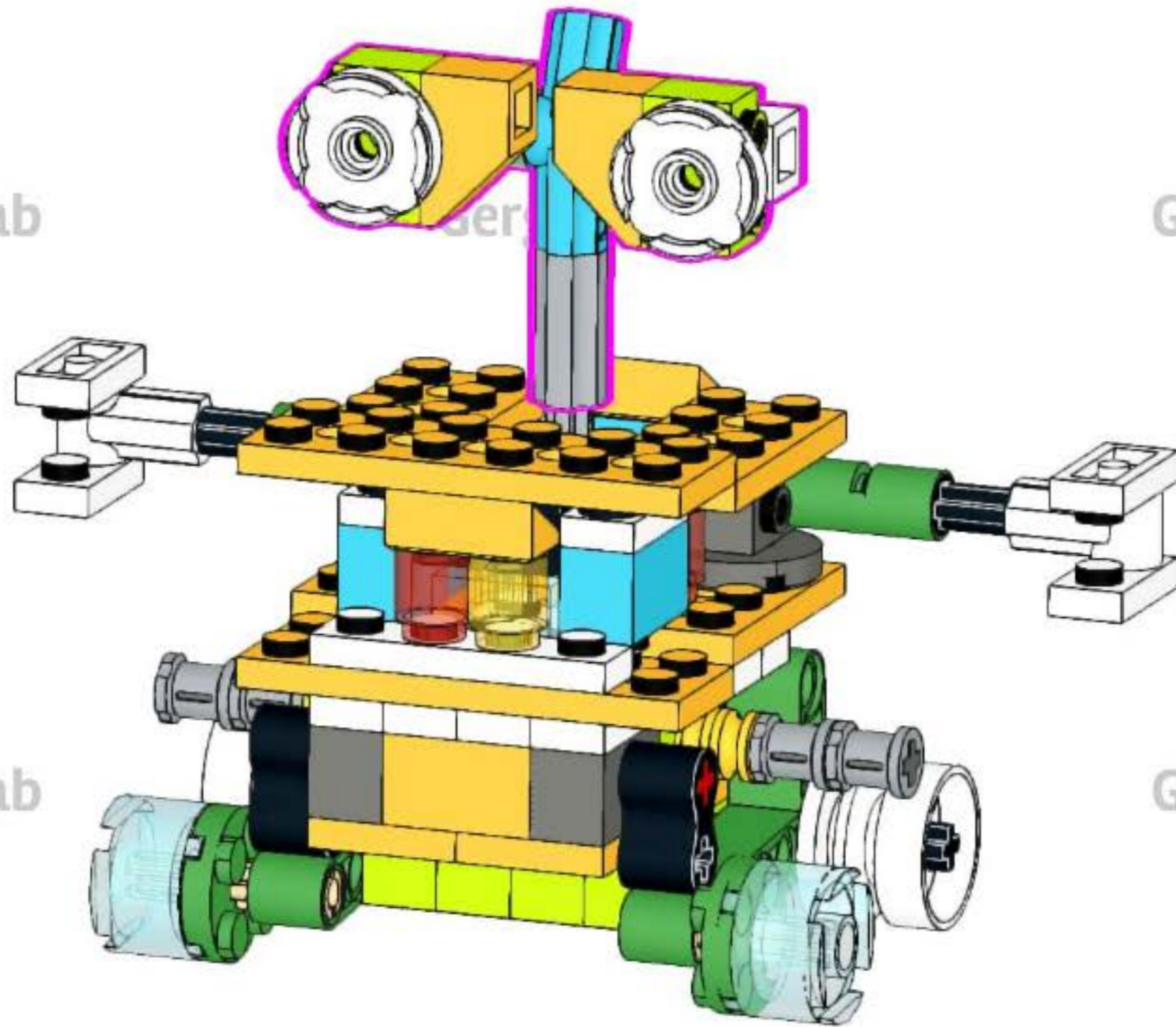
Gergert's lab

Gergert's lab

Gergert's lab

Gergert's lab

Gergert's lab



Gergert's lab

Gergert's lab

Gergert's lab