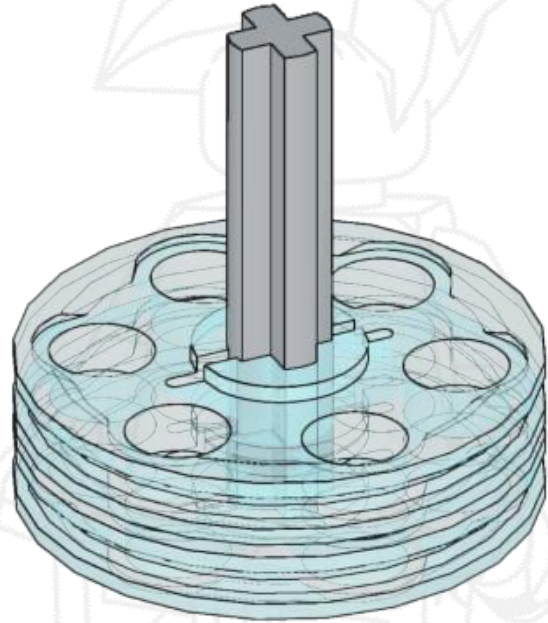
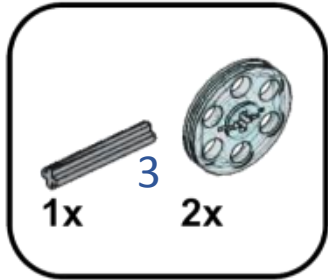


1



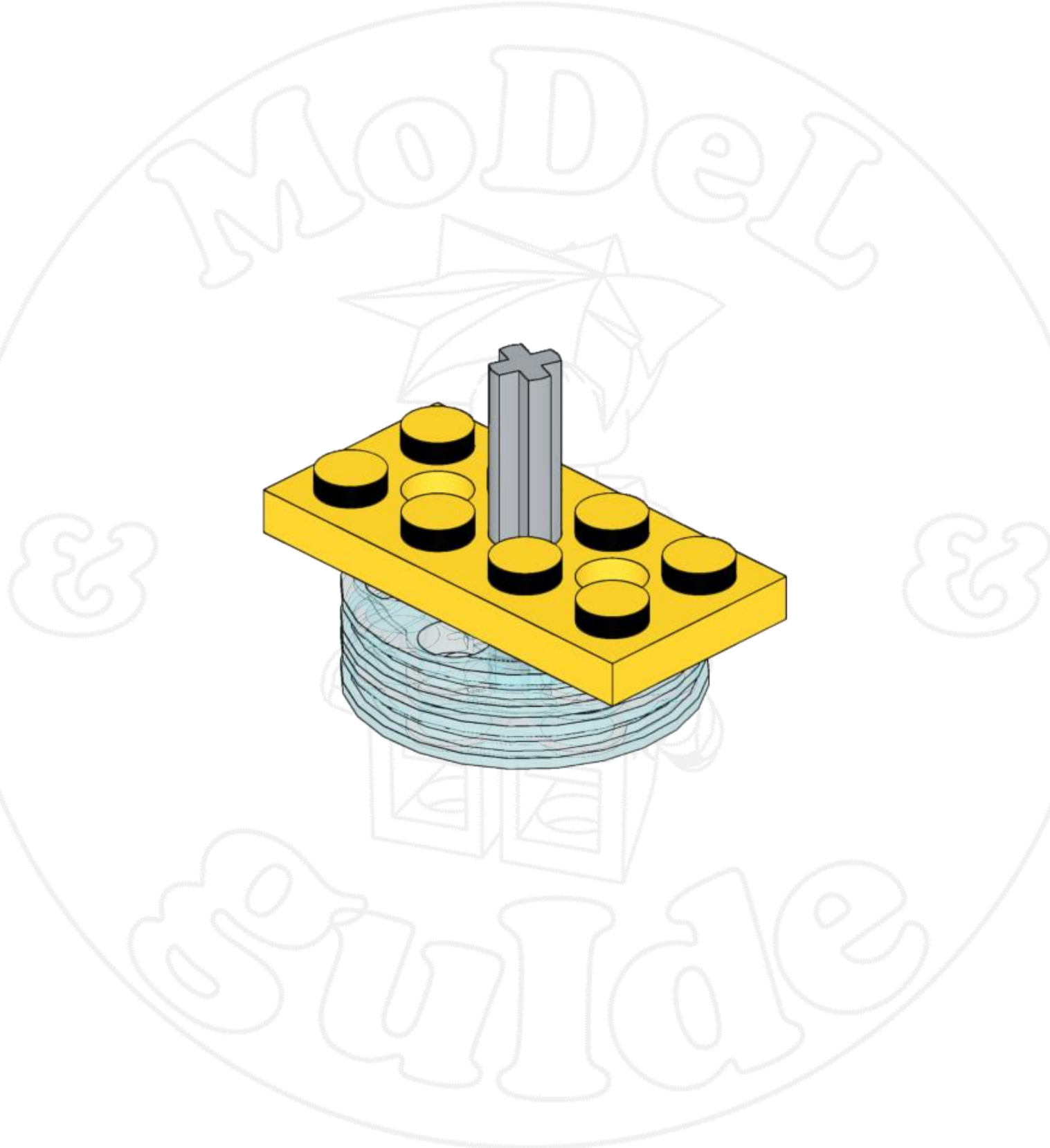
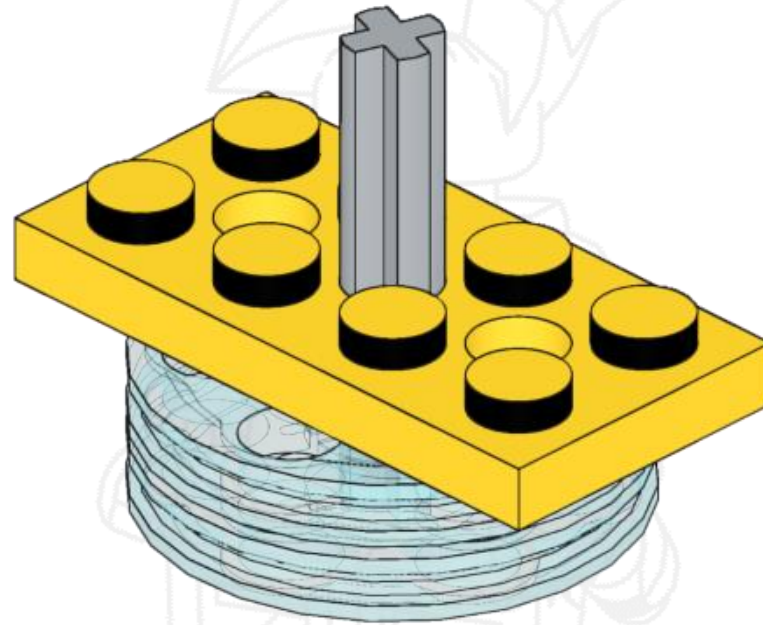
Model

&

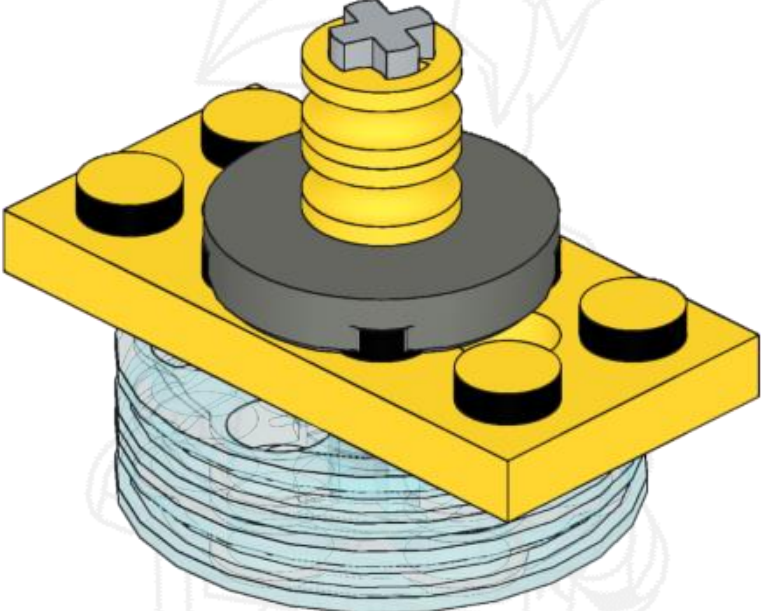
&

guide

2



3



Model

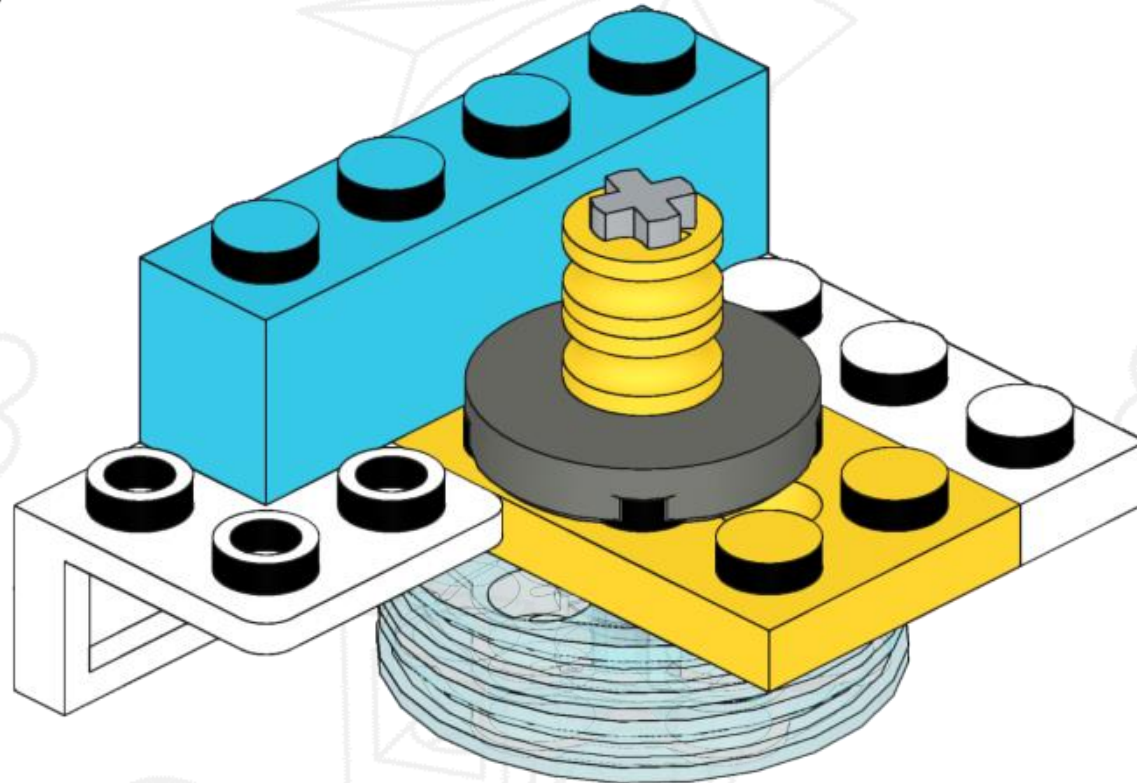
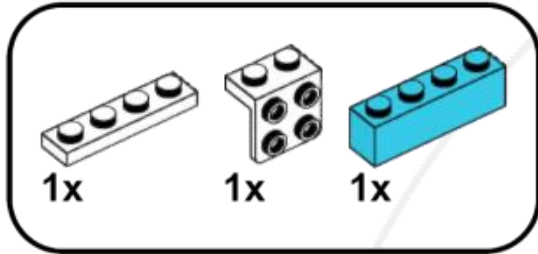
&

&

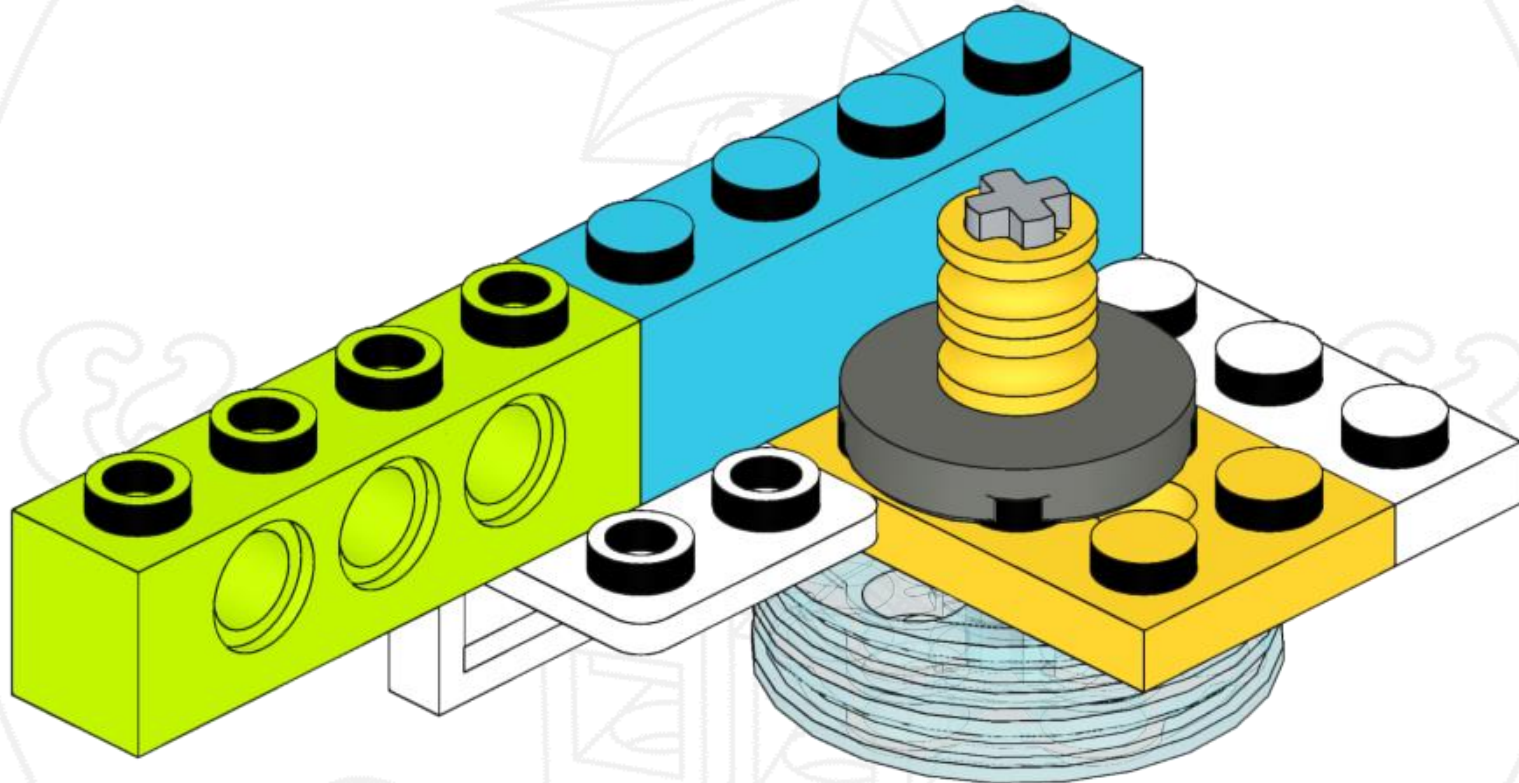
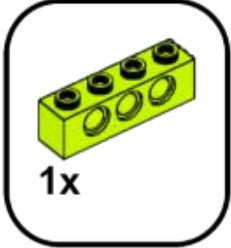
Guide



4



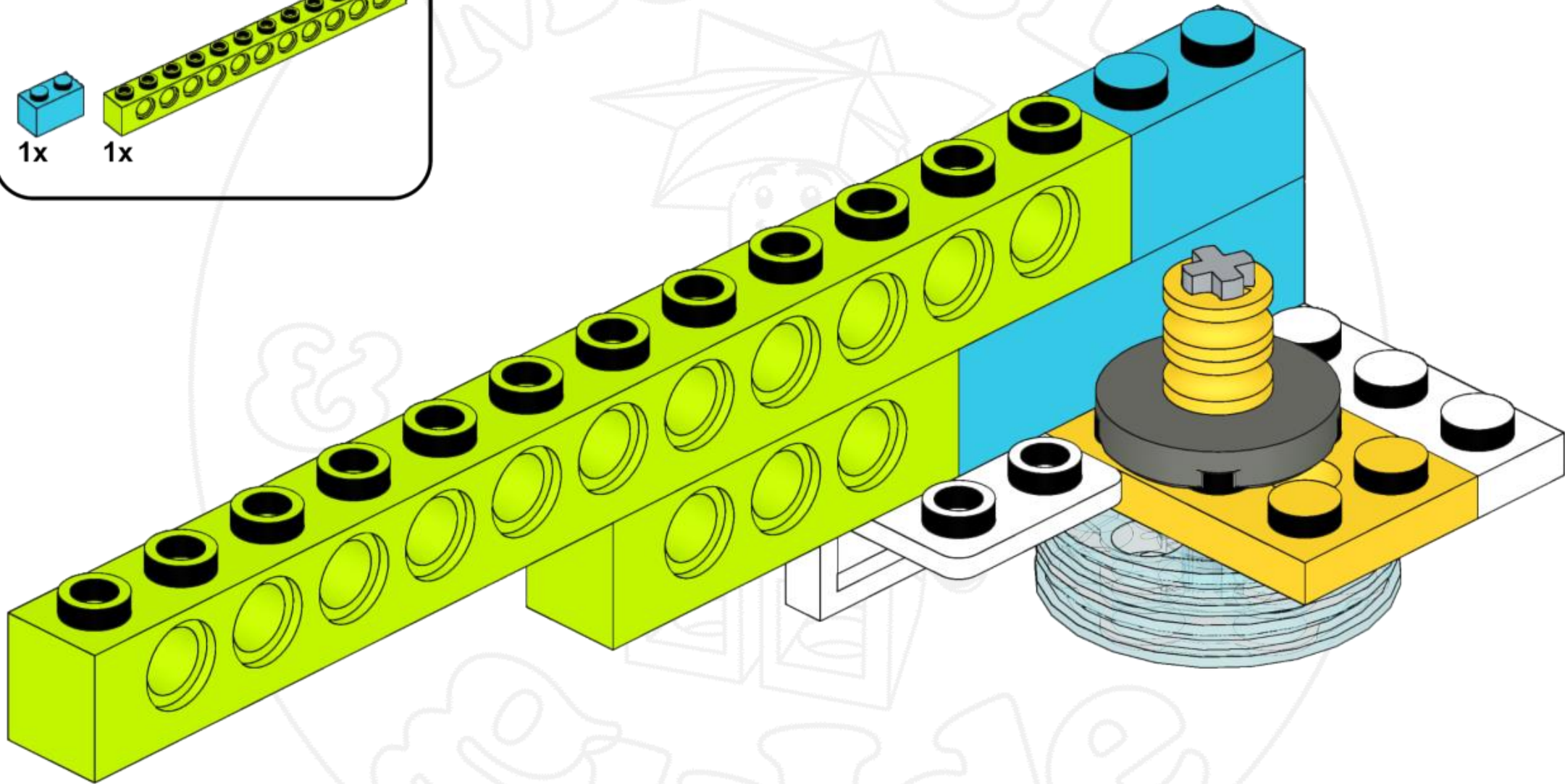
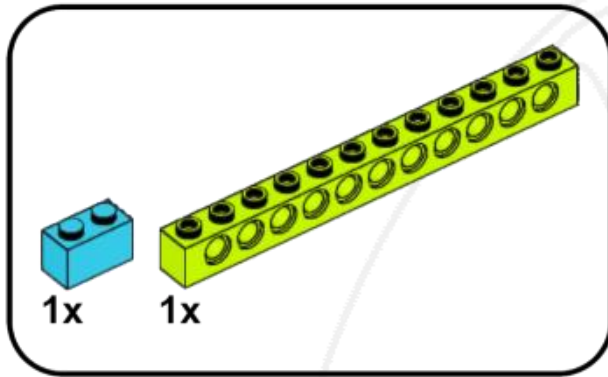
5



Model

Guide

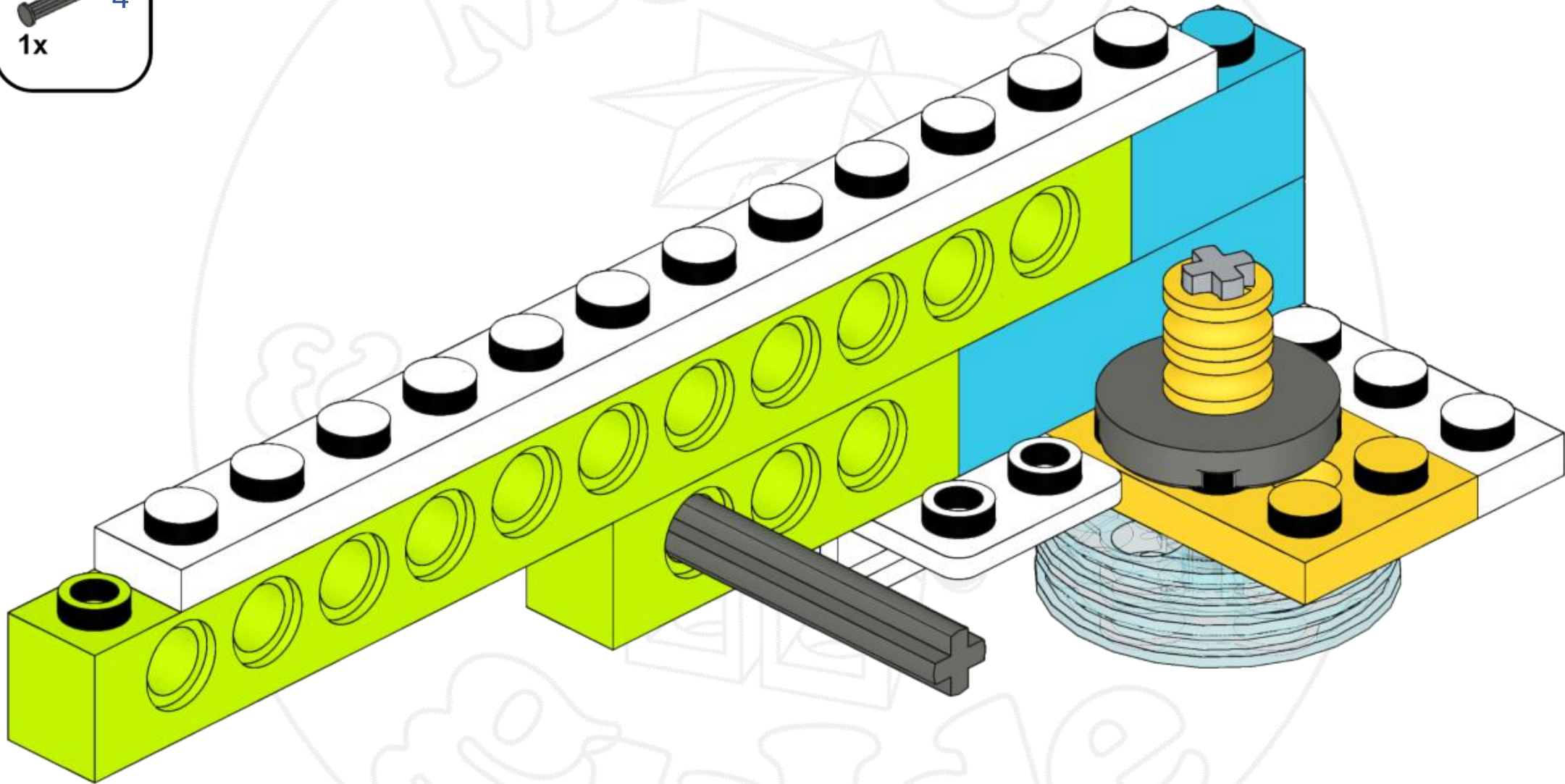
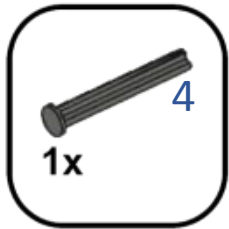
6





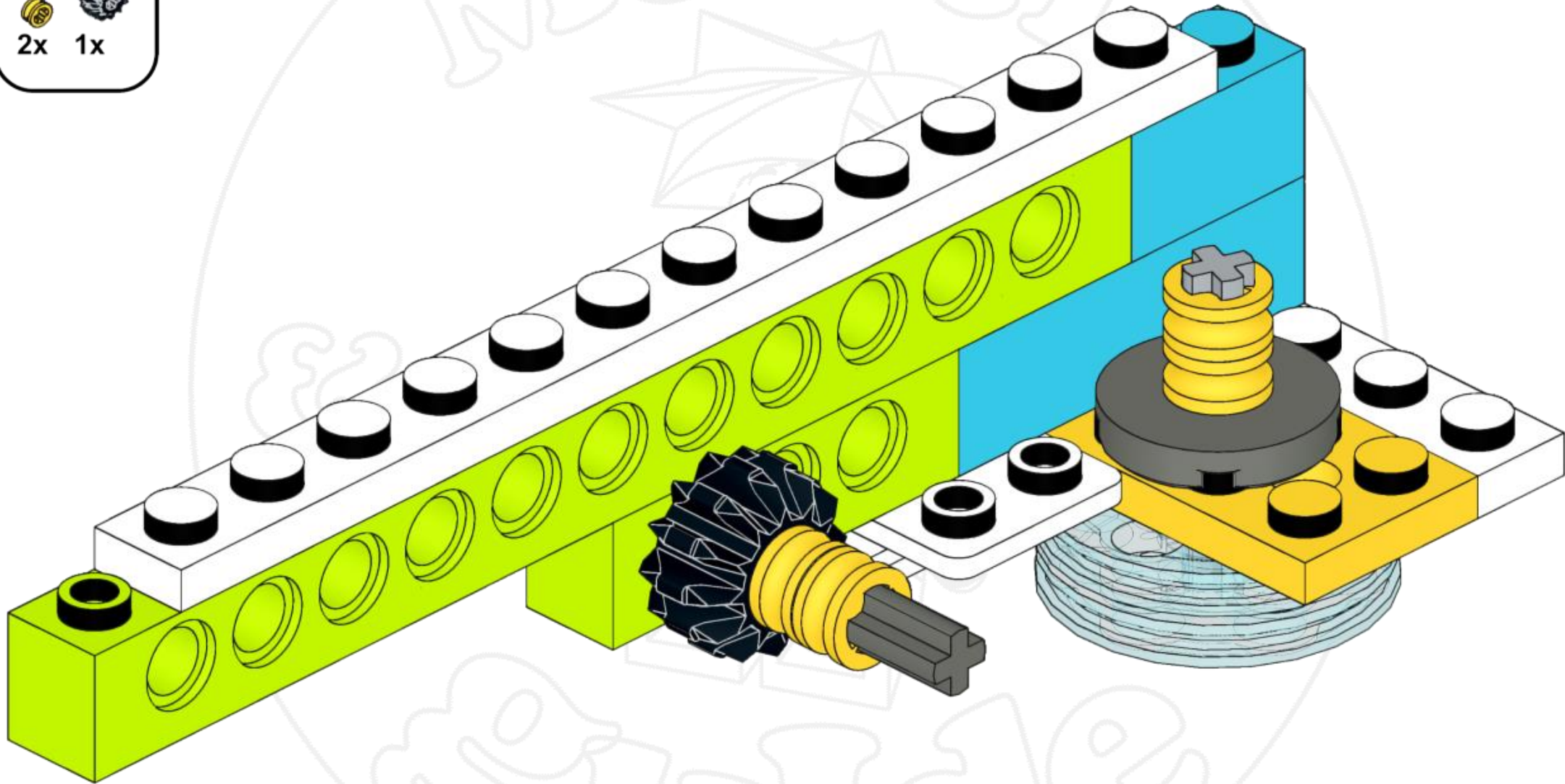


8





9

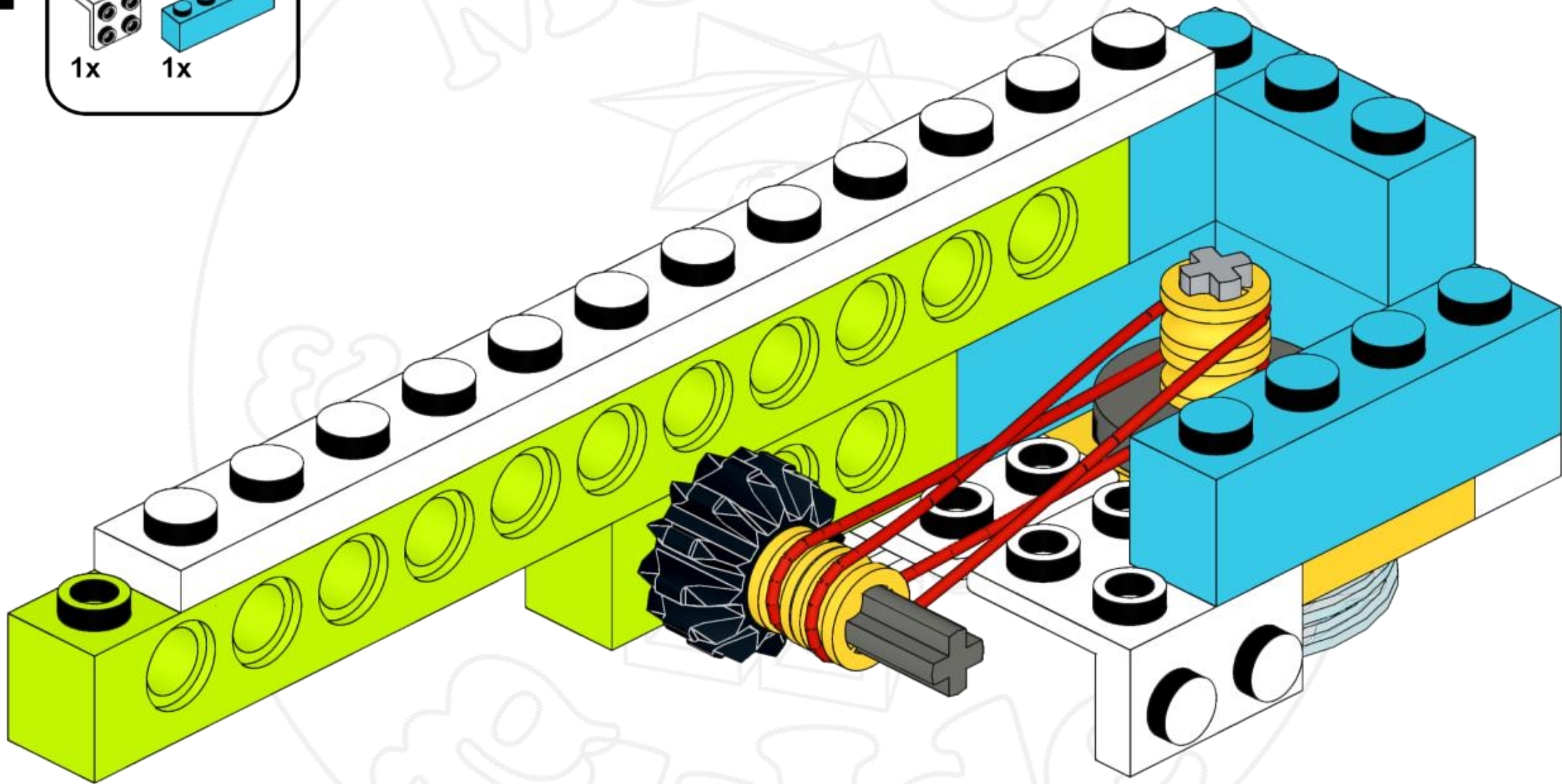
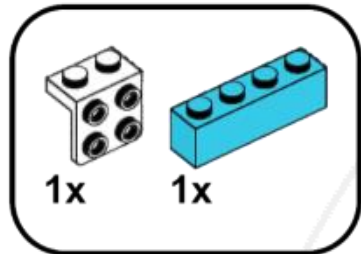






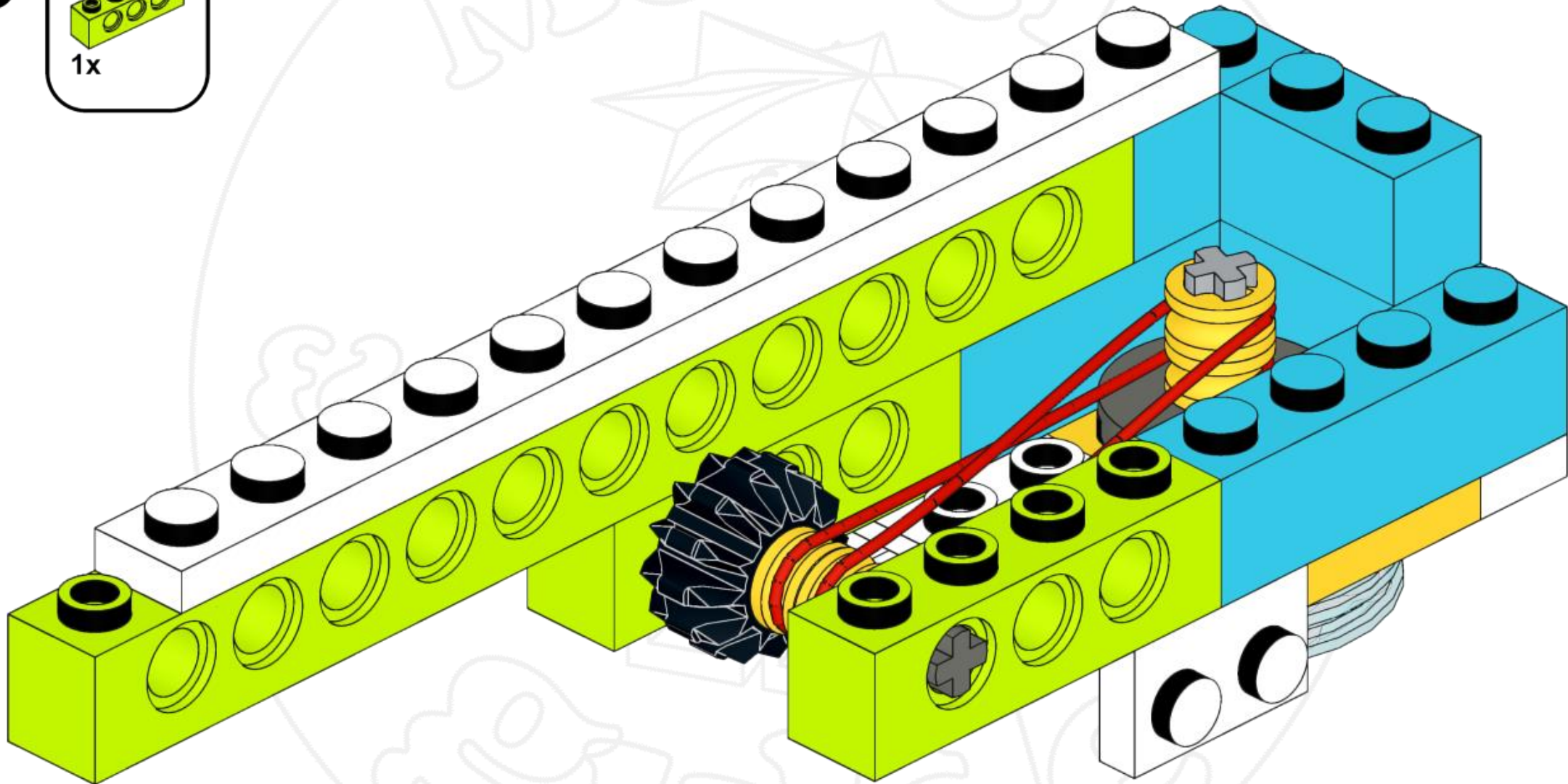
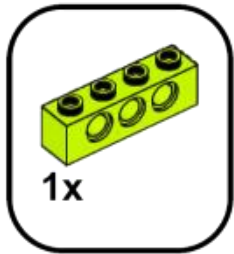


12



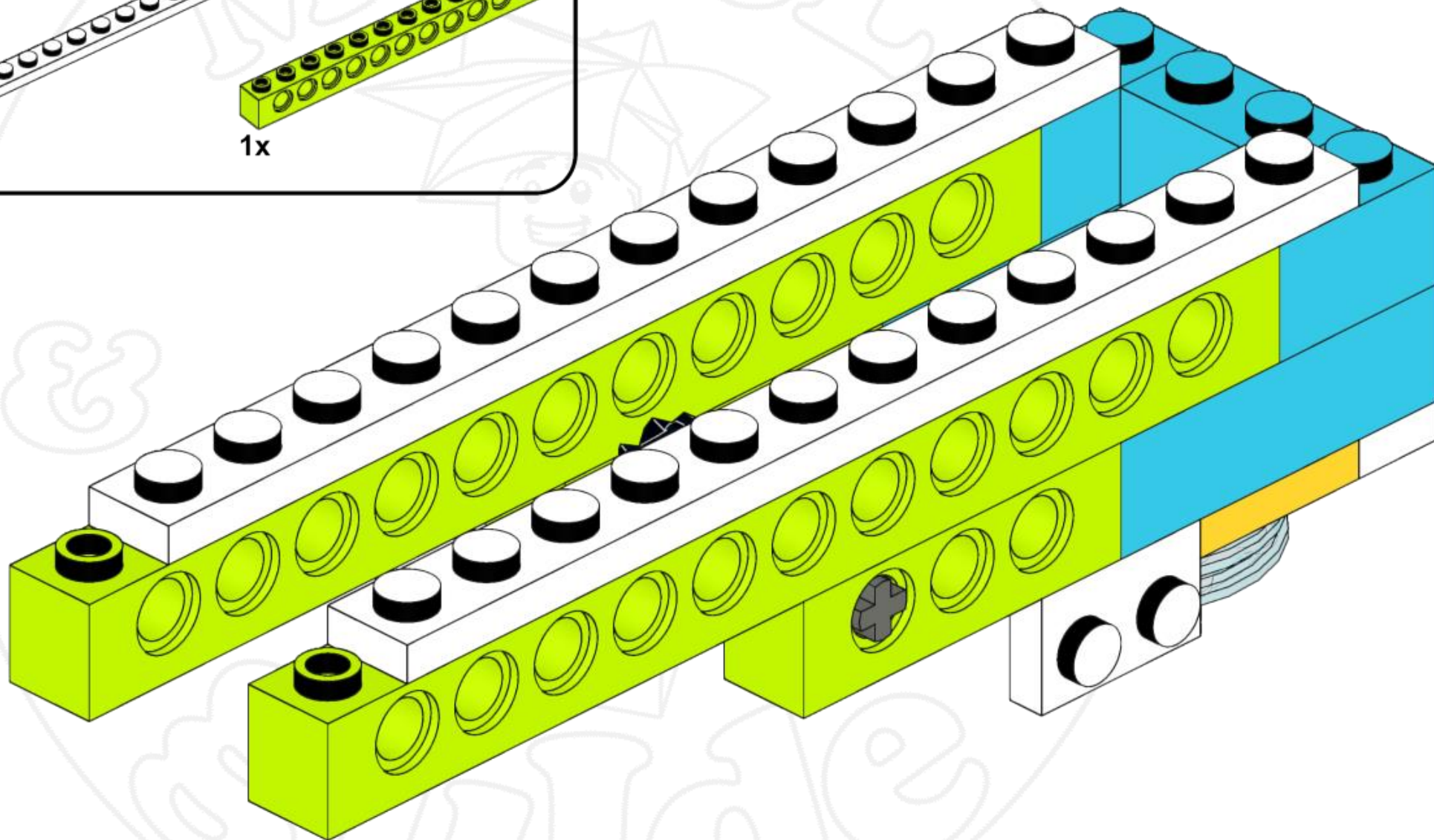
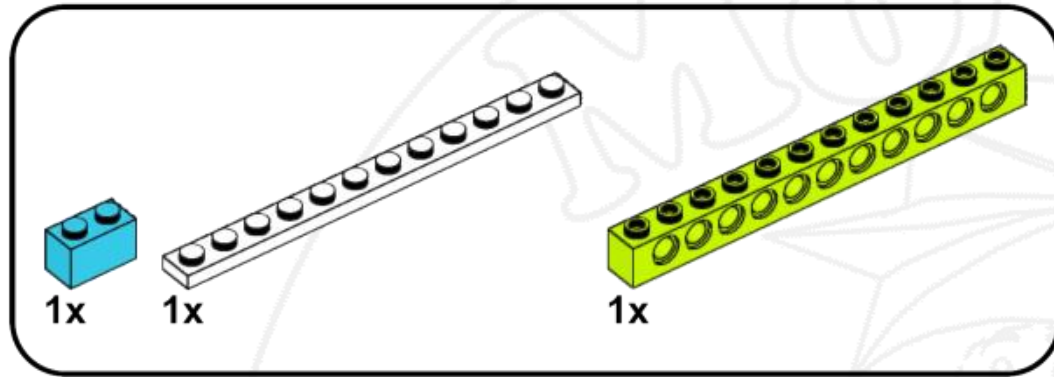


13



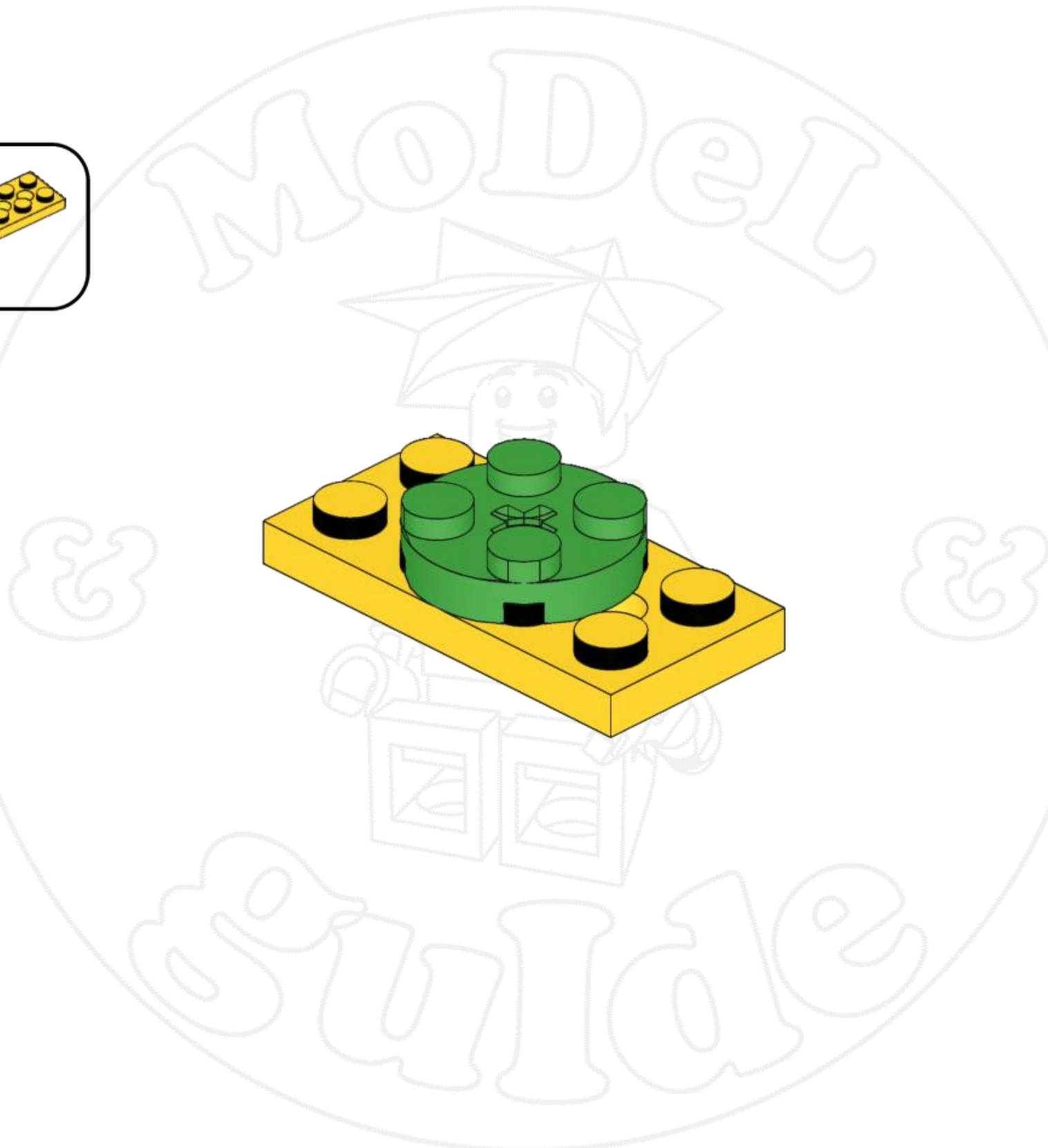
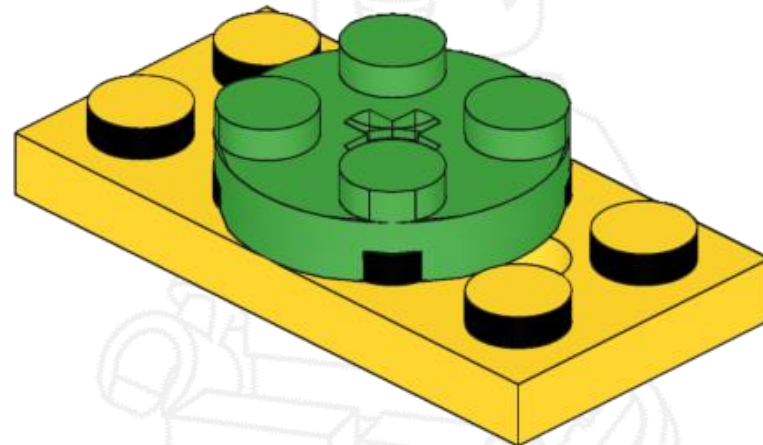
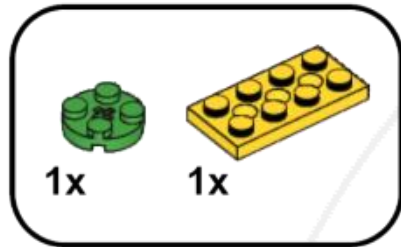


14



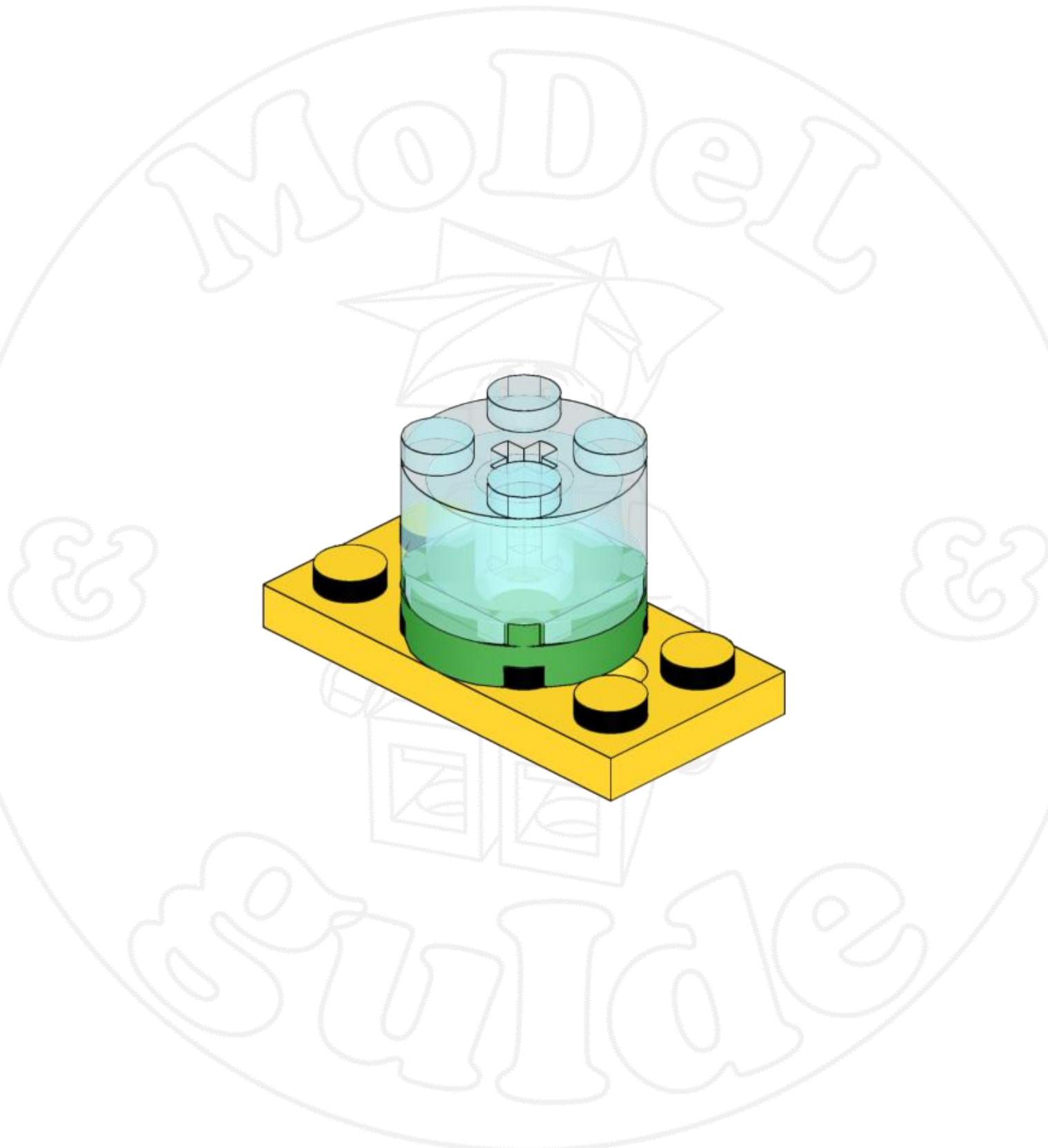
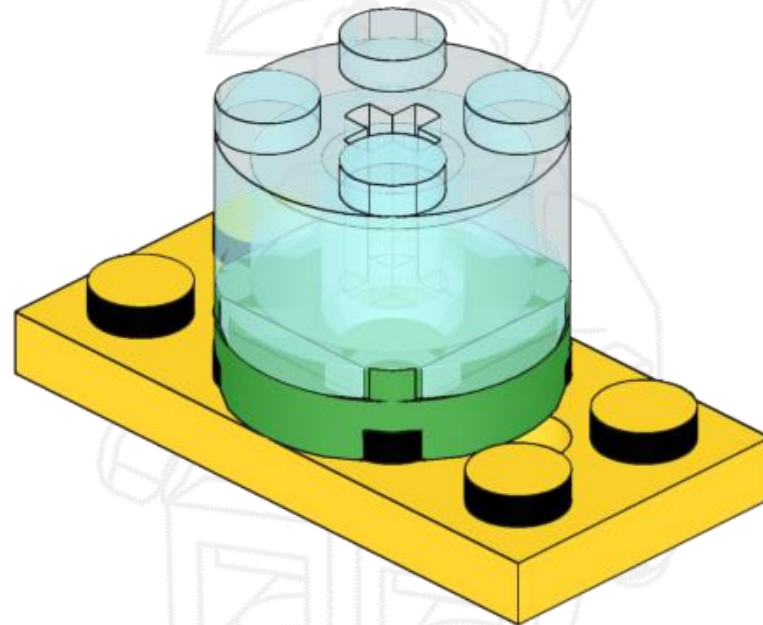


16

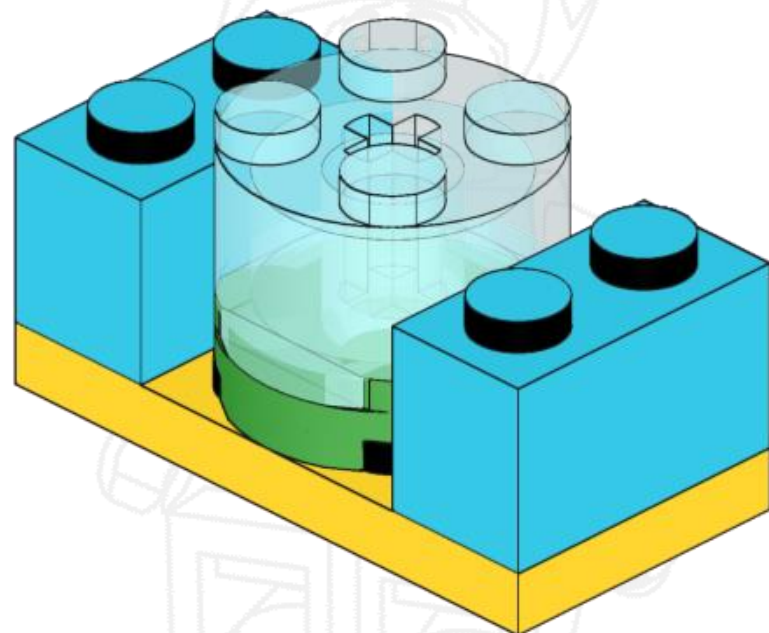
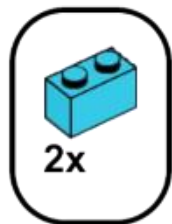




17

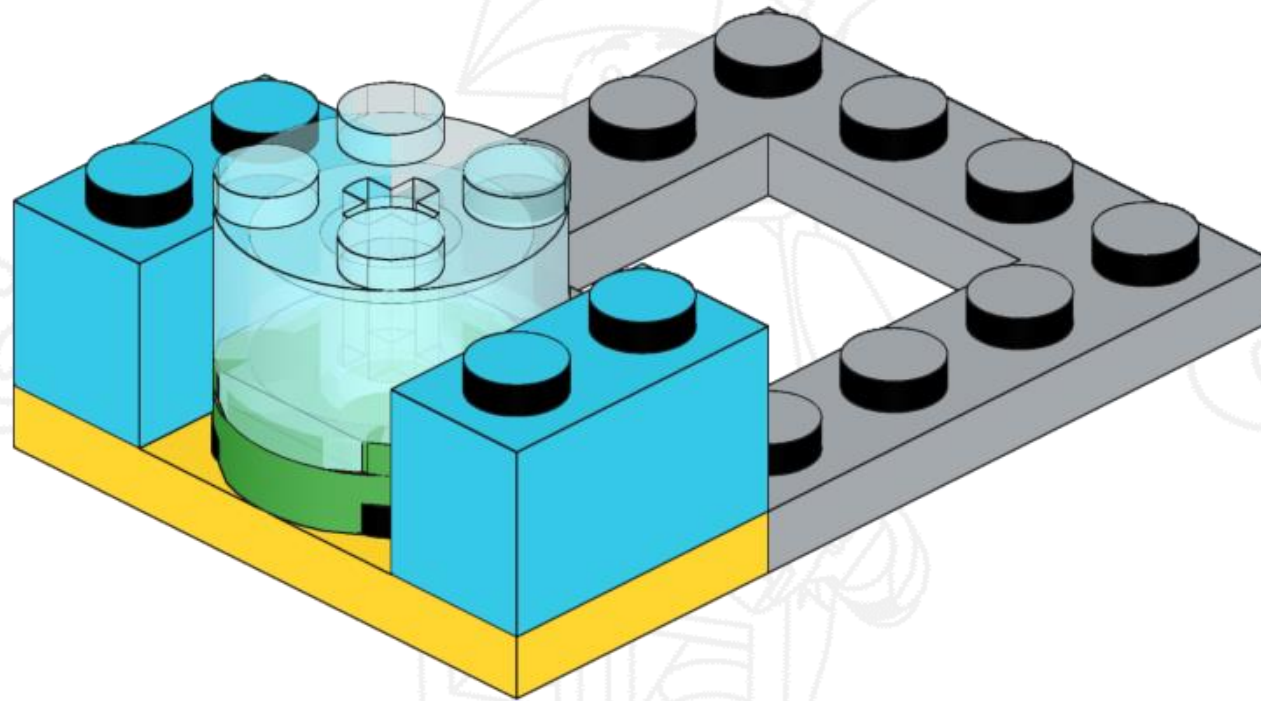
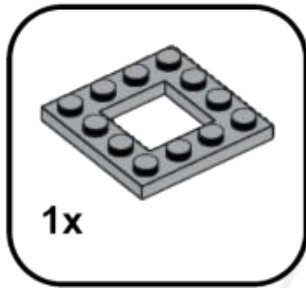


18



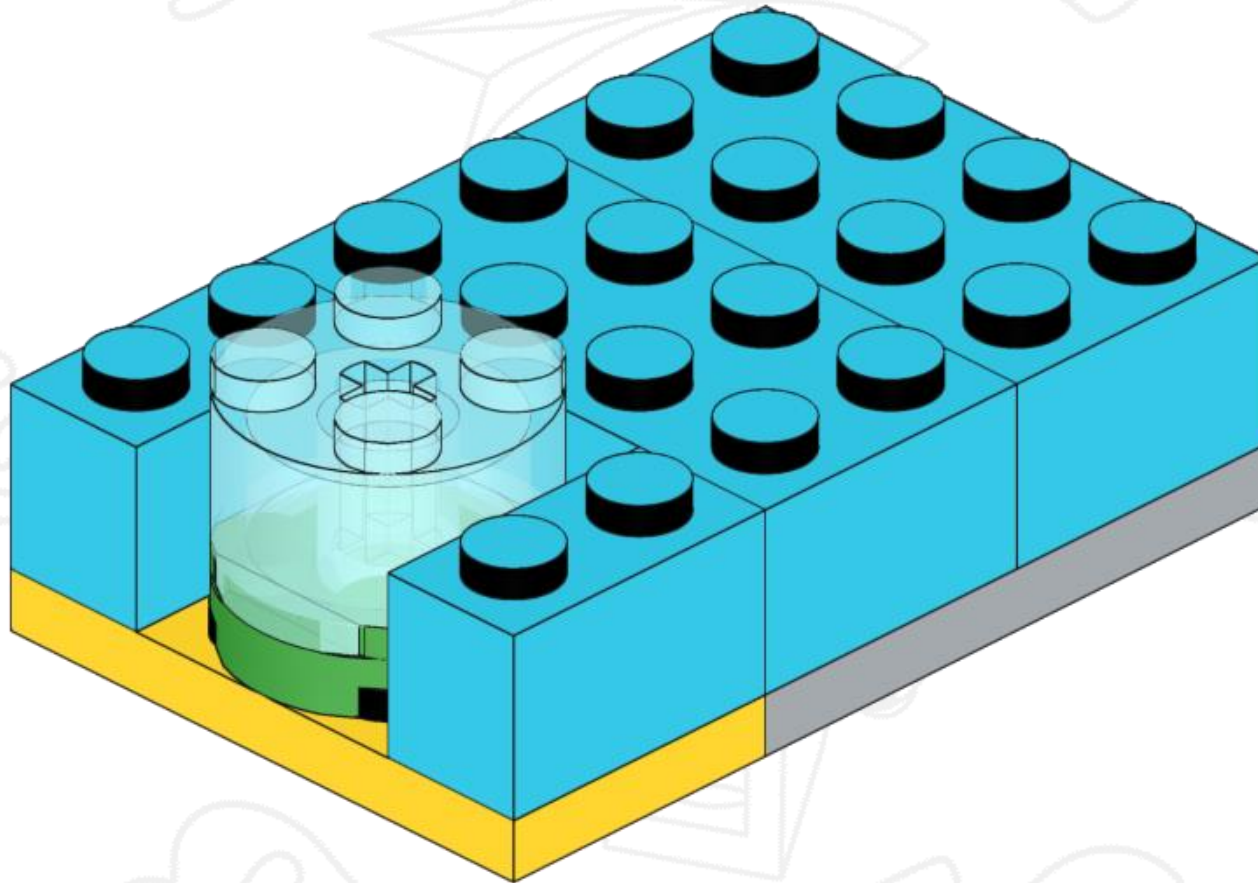
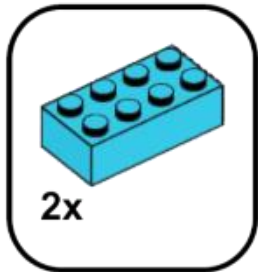


19

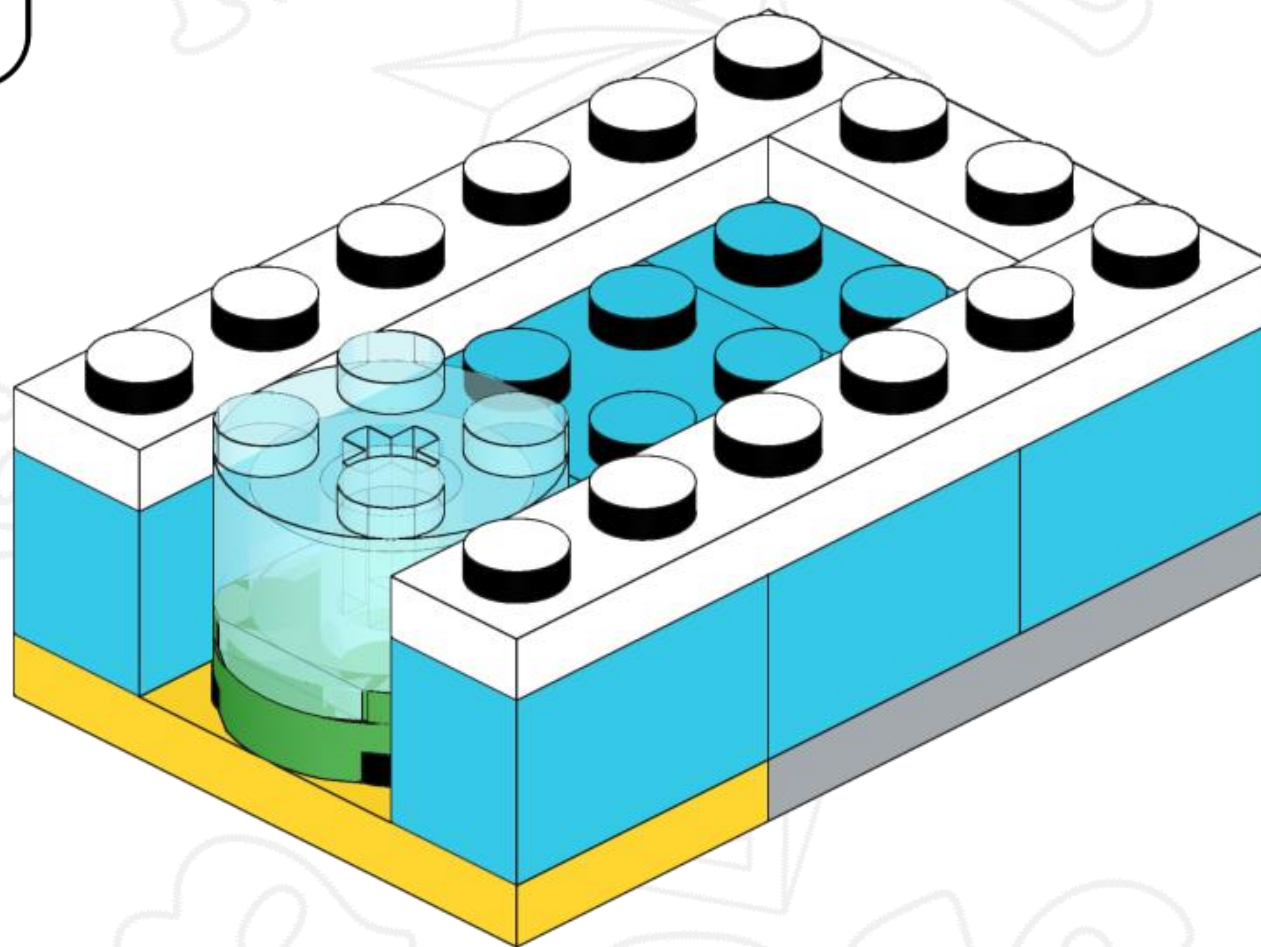
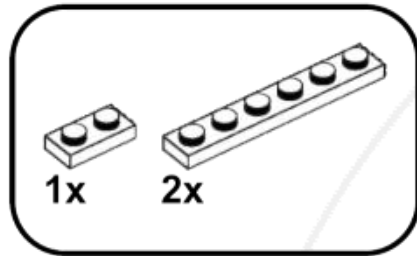


Model  
Guide

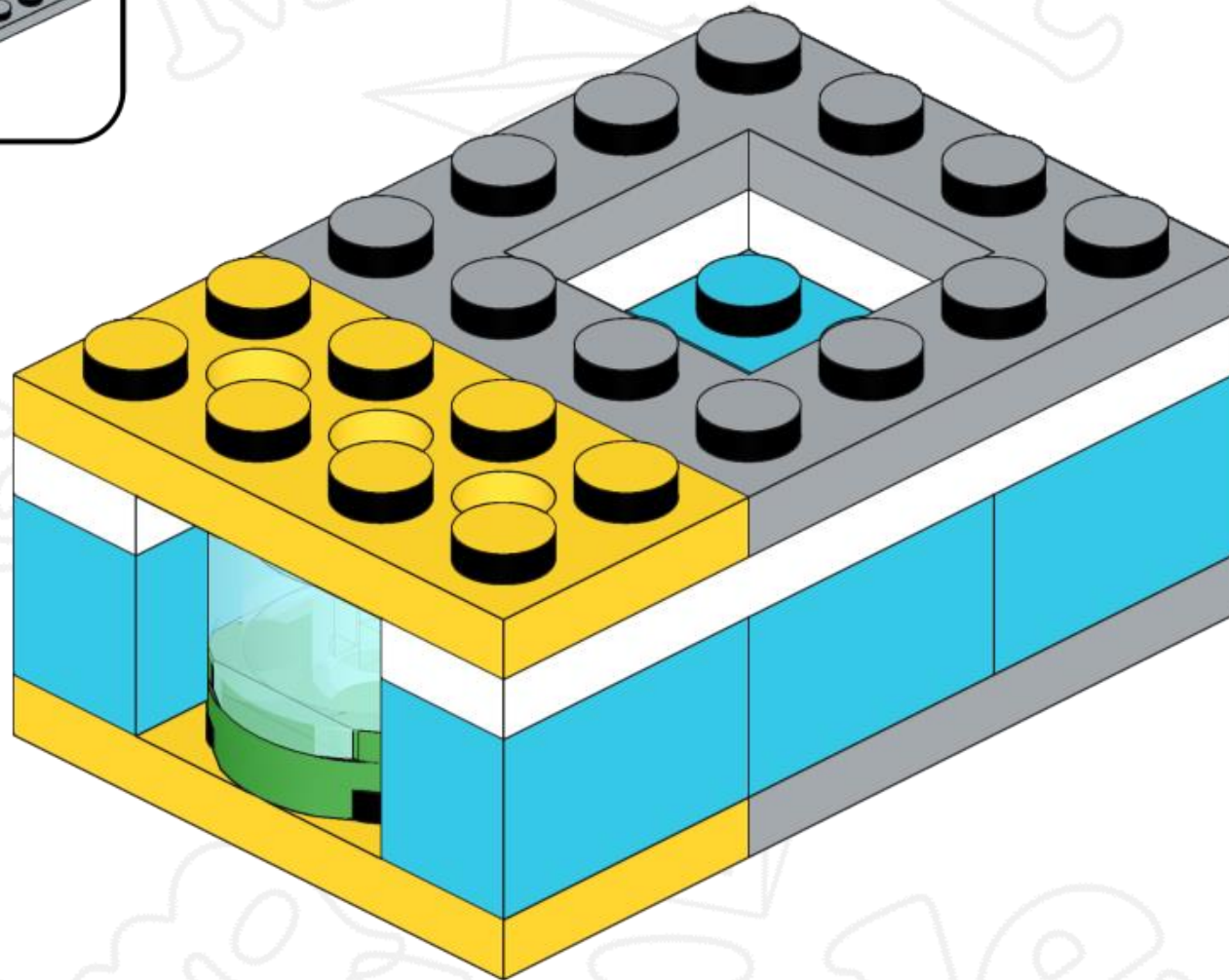
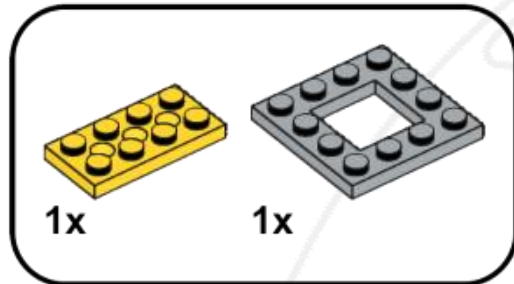
20



21

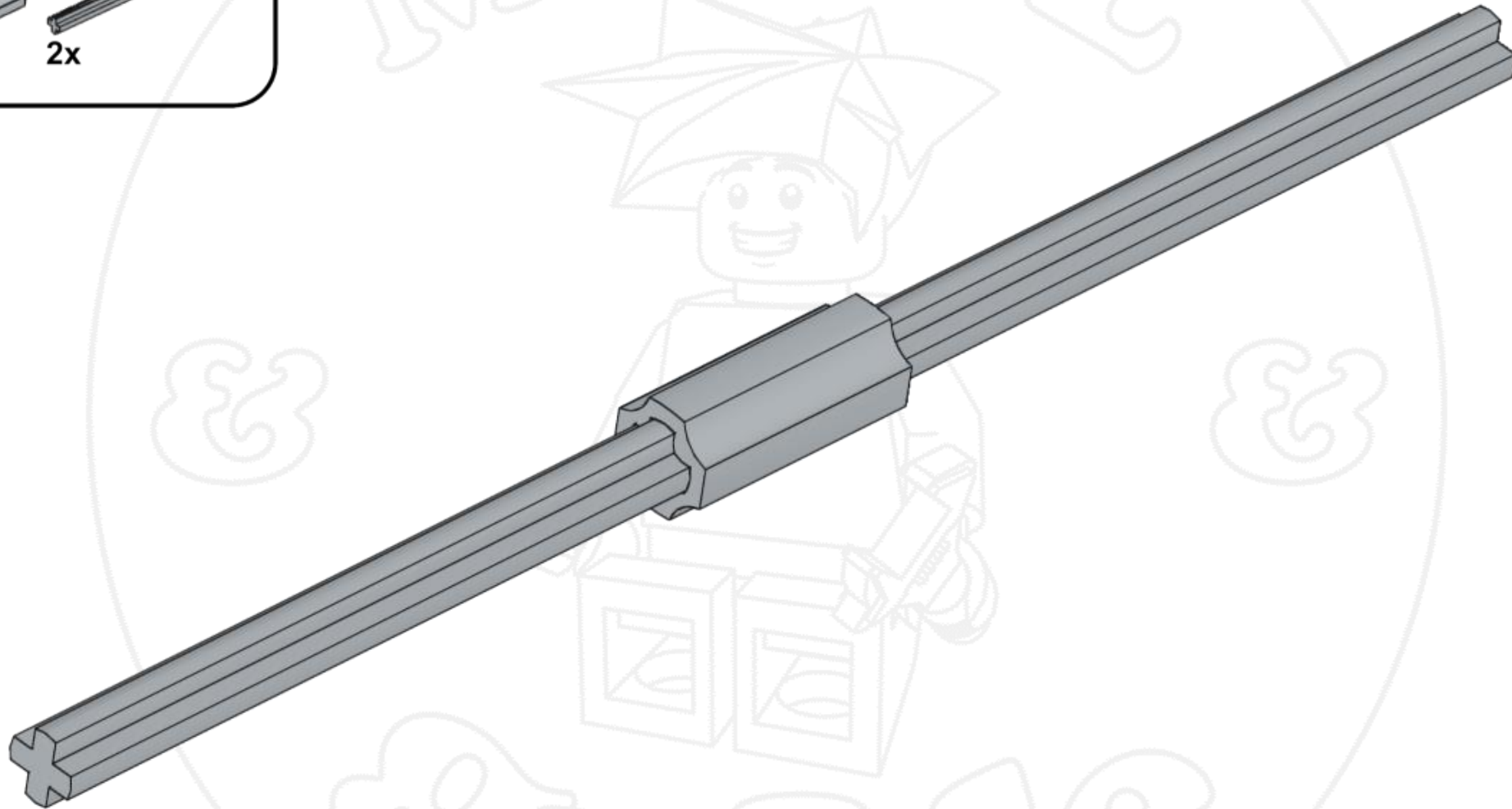
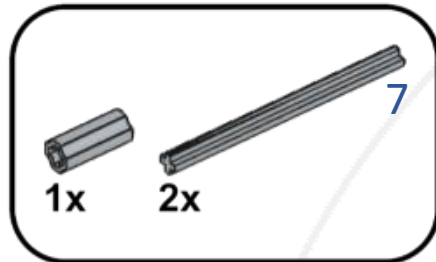


22



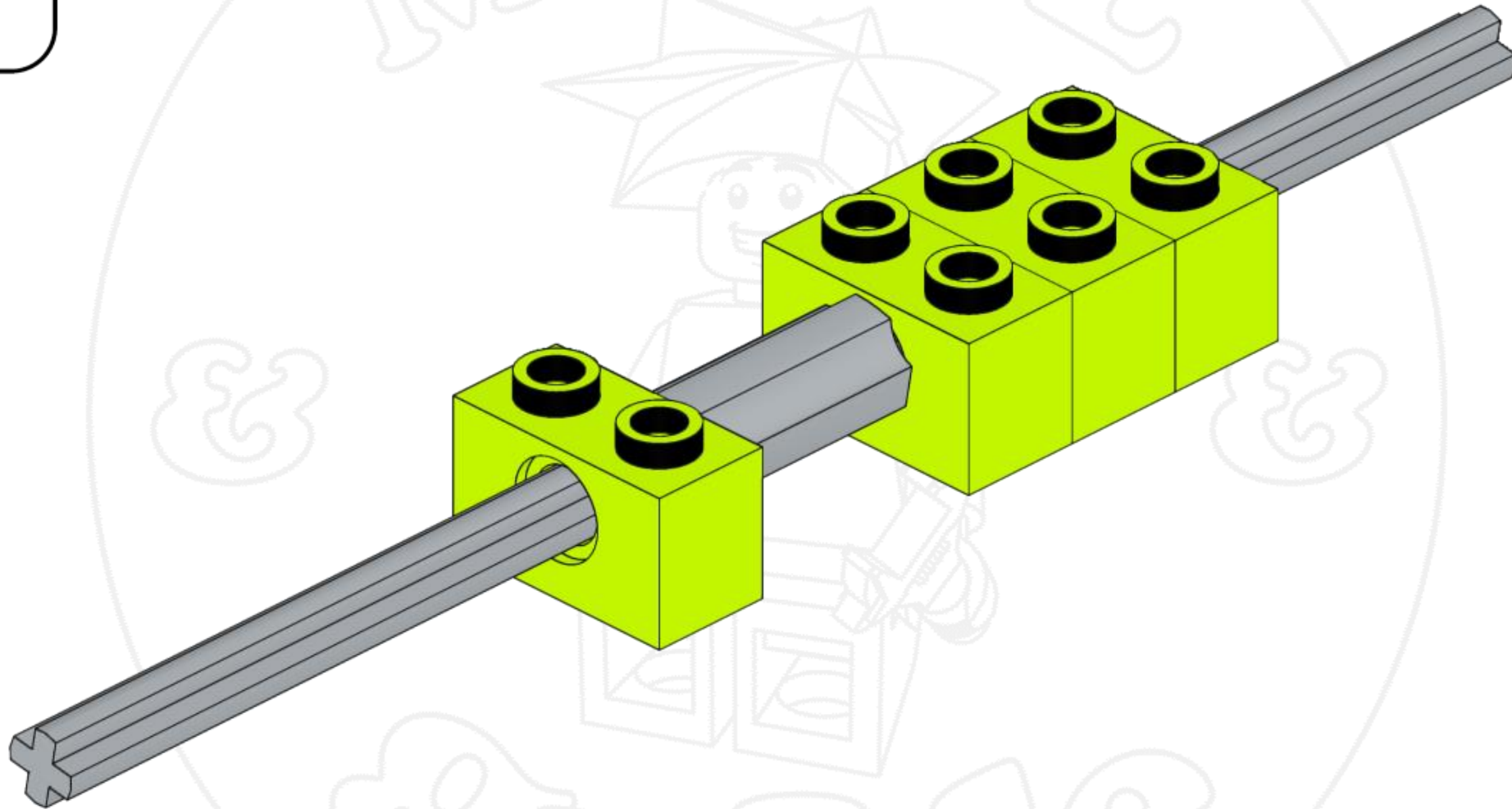
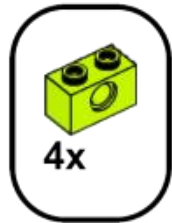


23

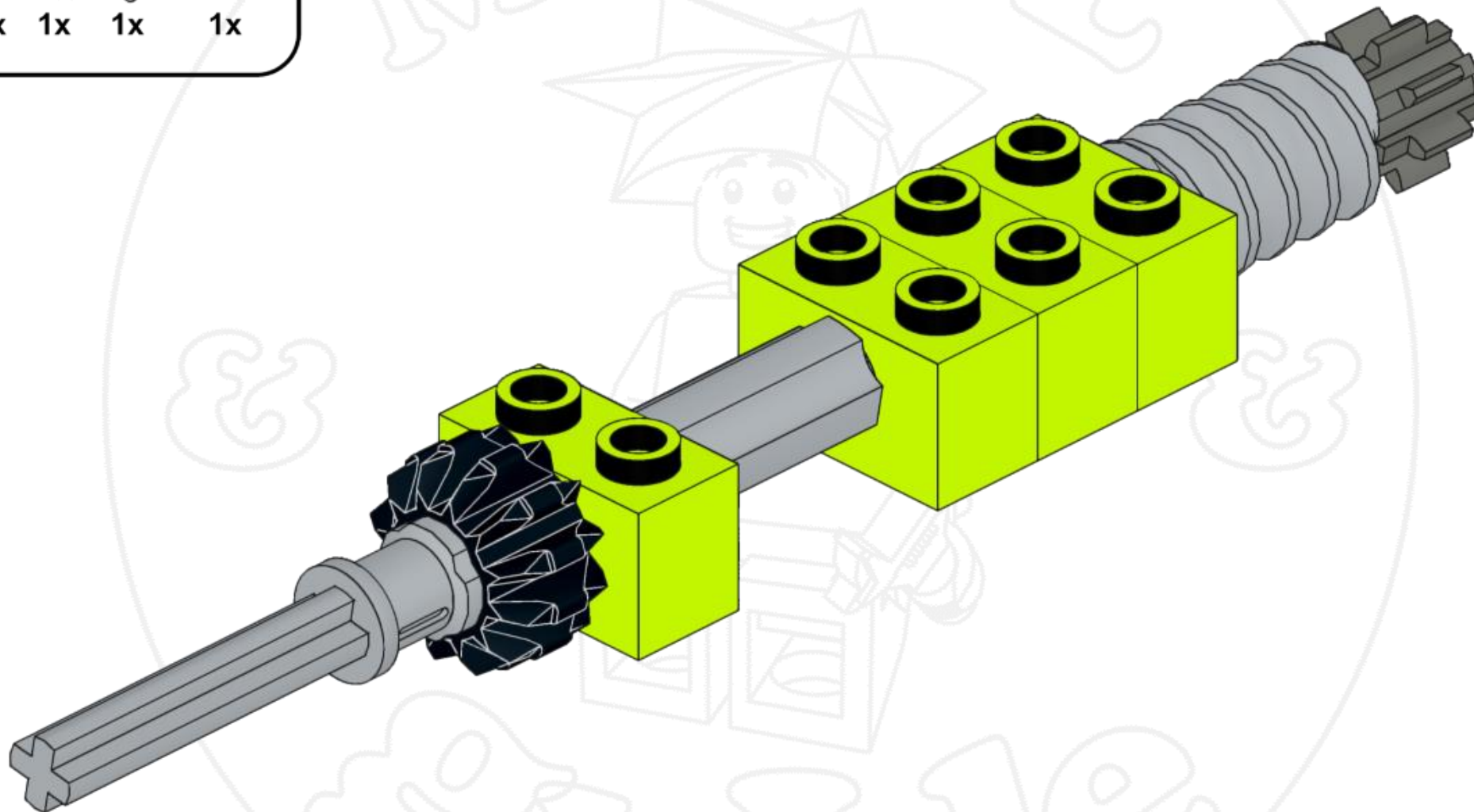
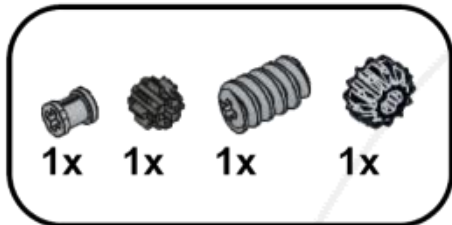




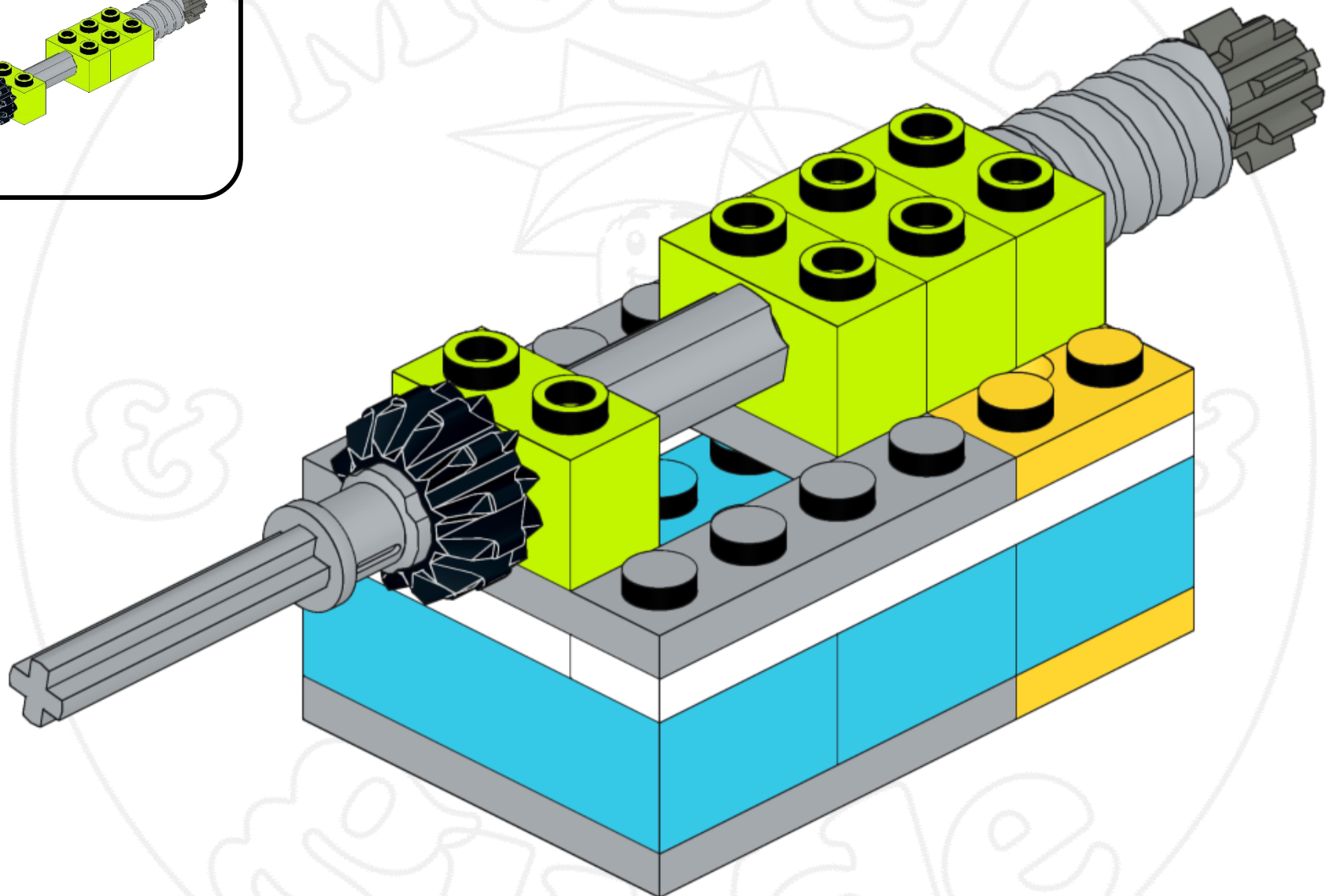
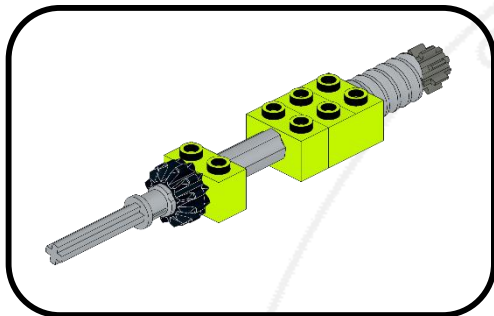
24



25

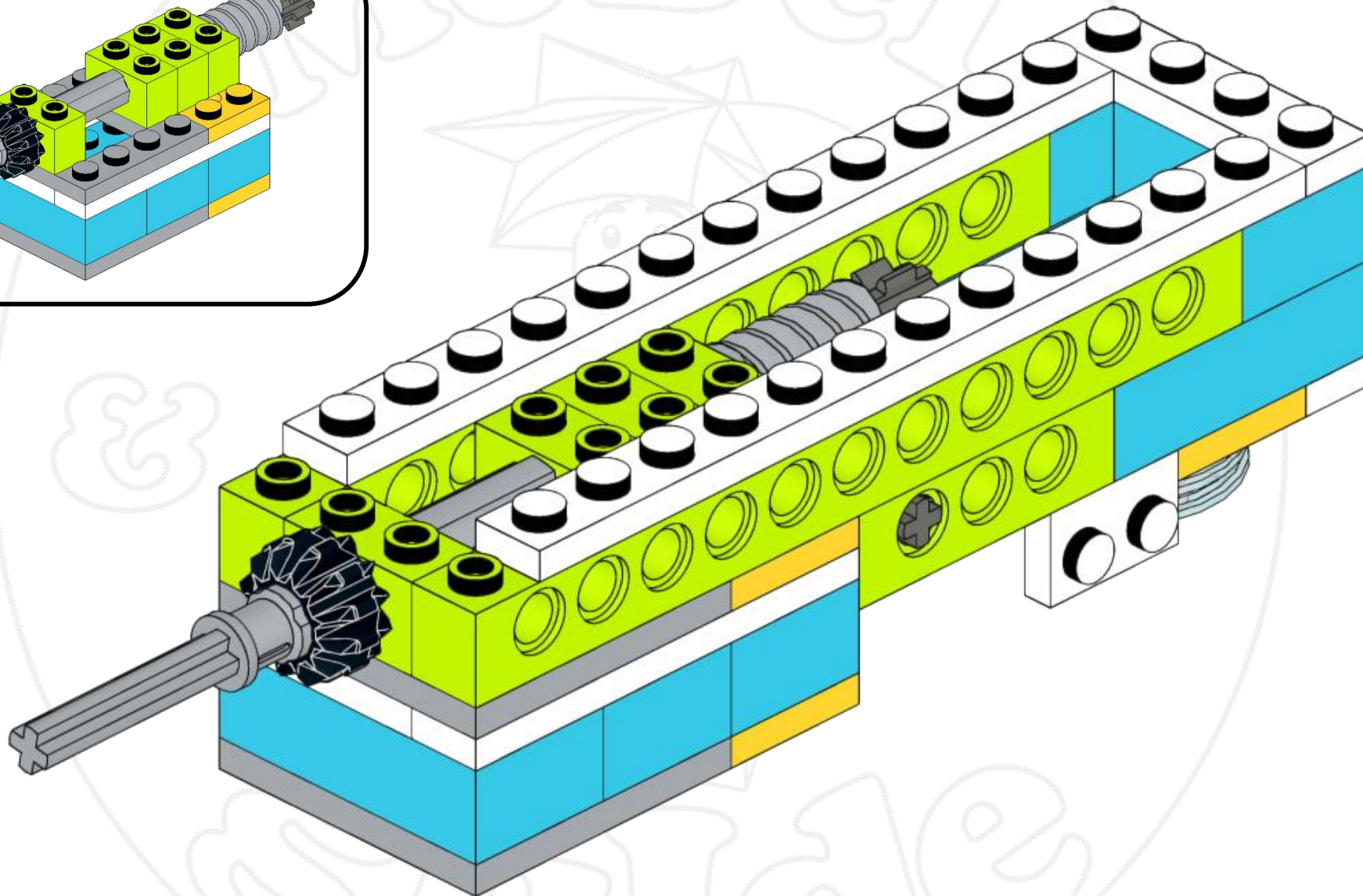
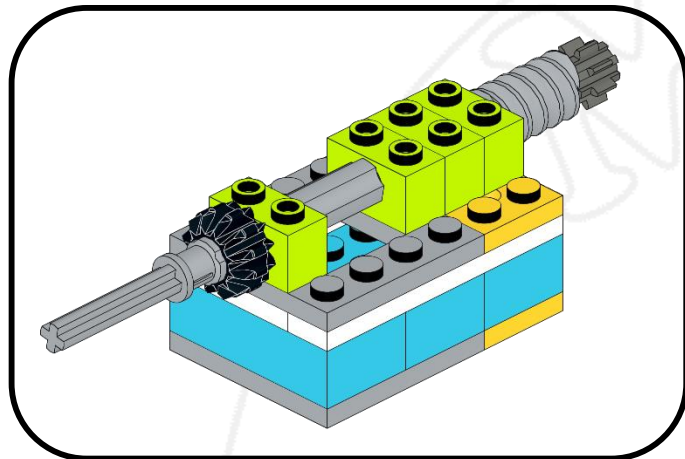


26

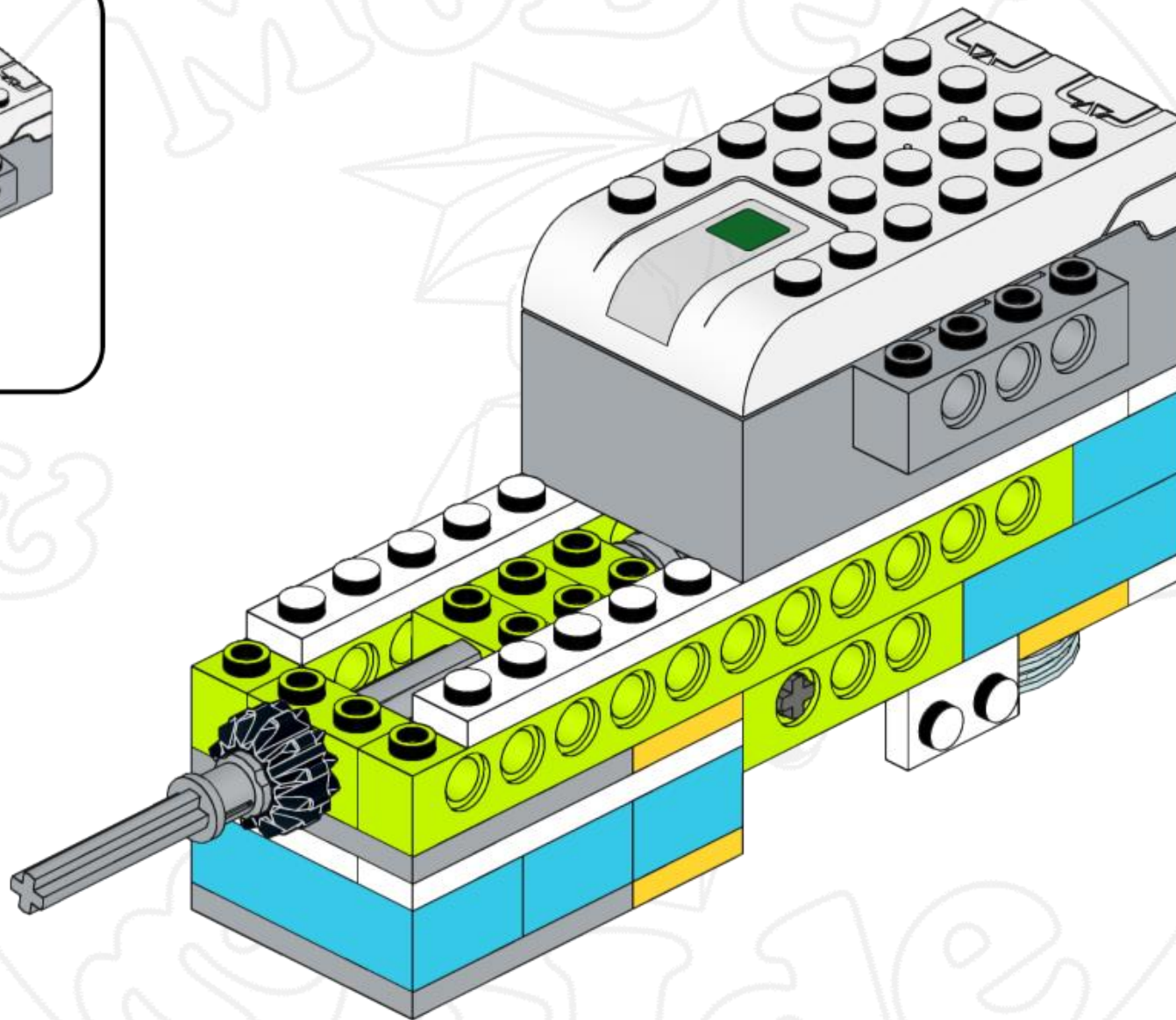
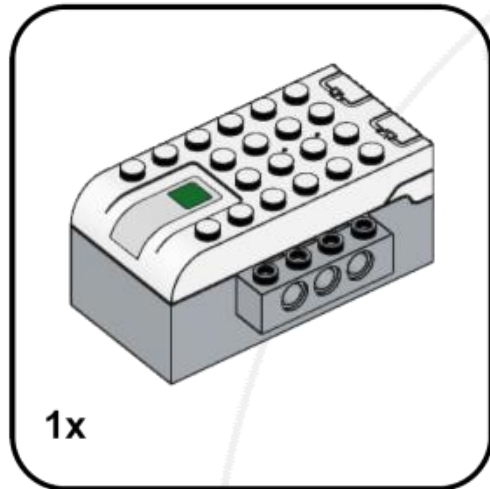




27

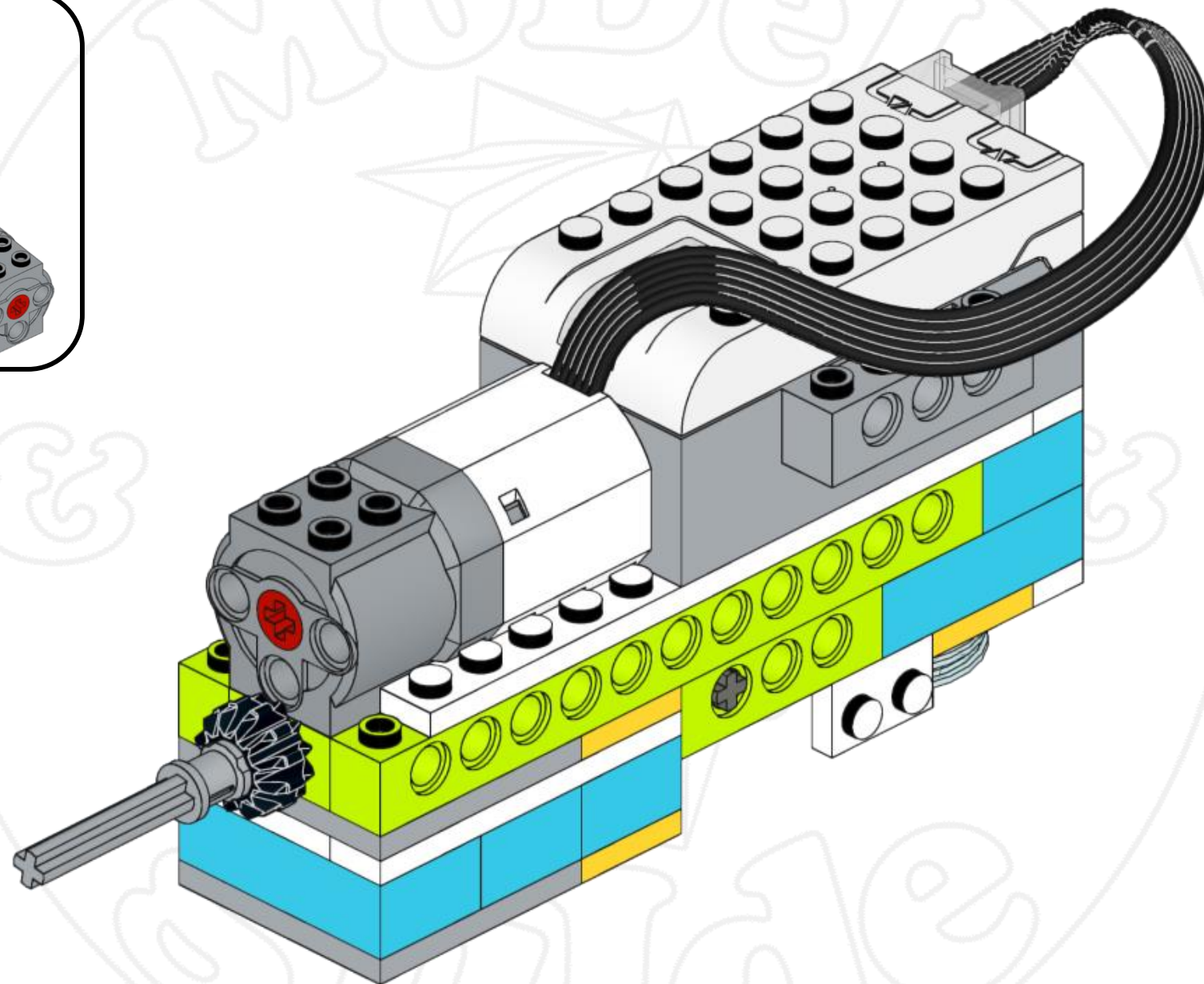


28



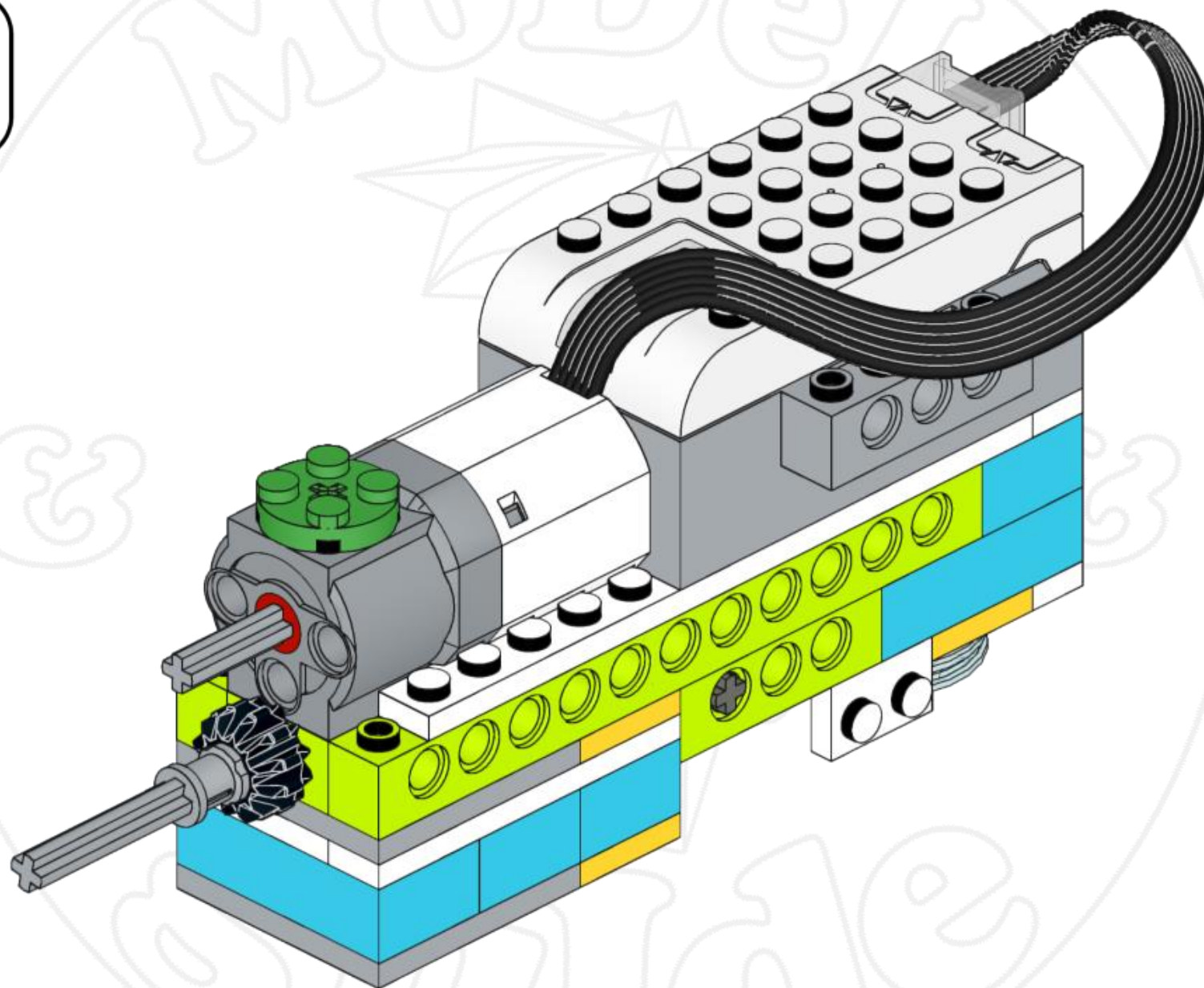
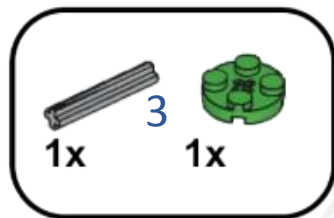


29

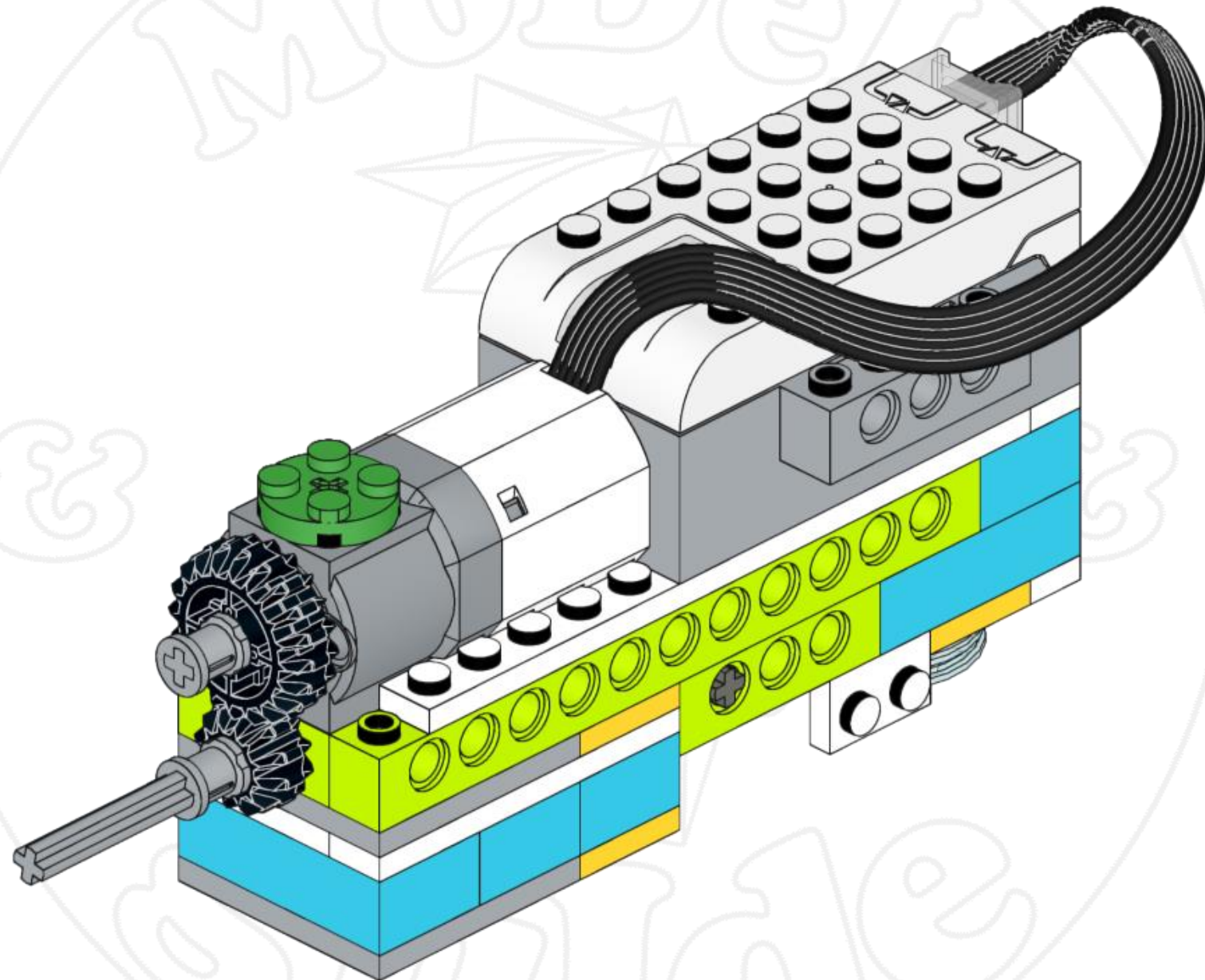




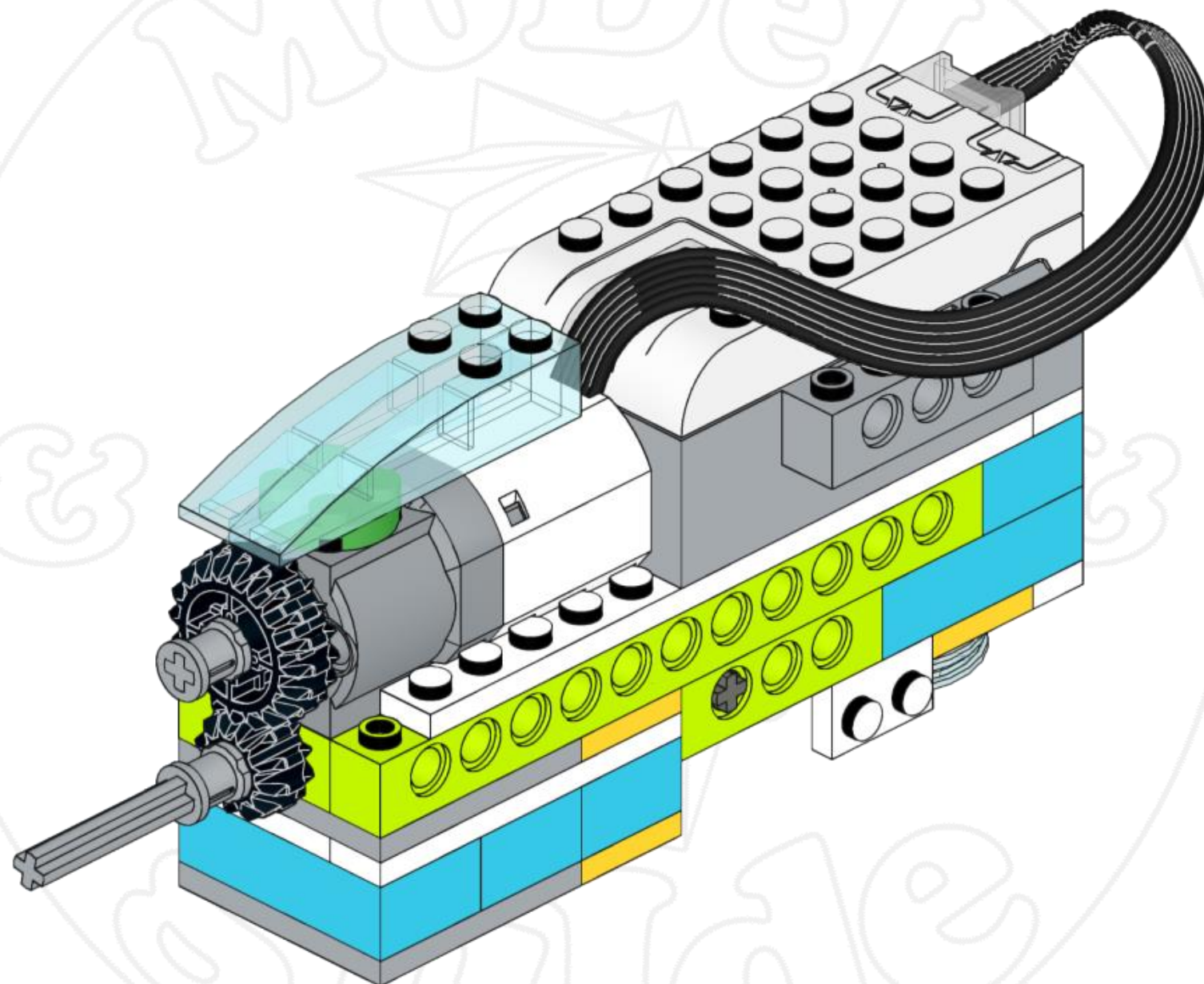
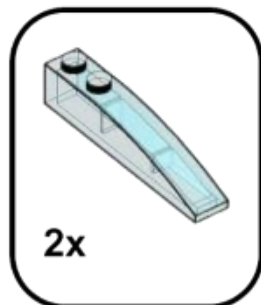
30



31

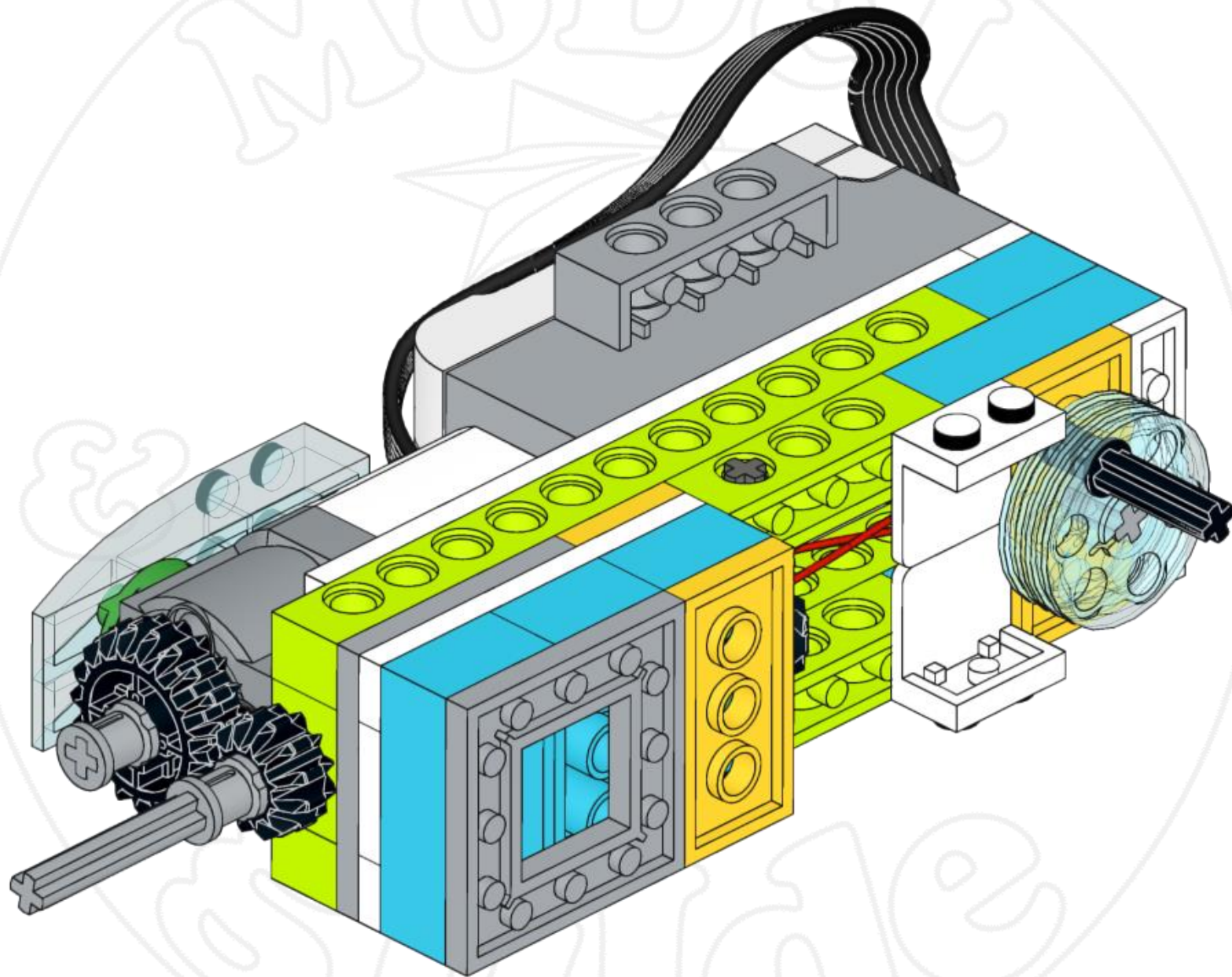


32

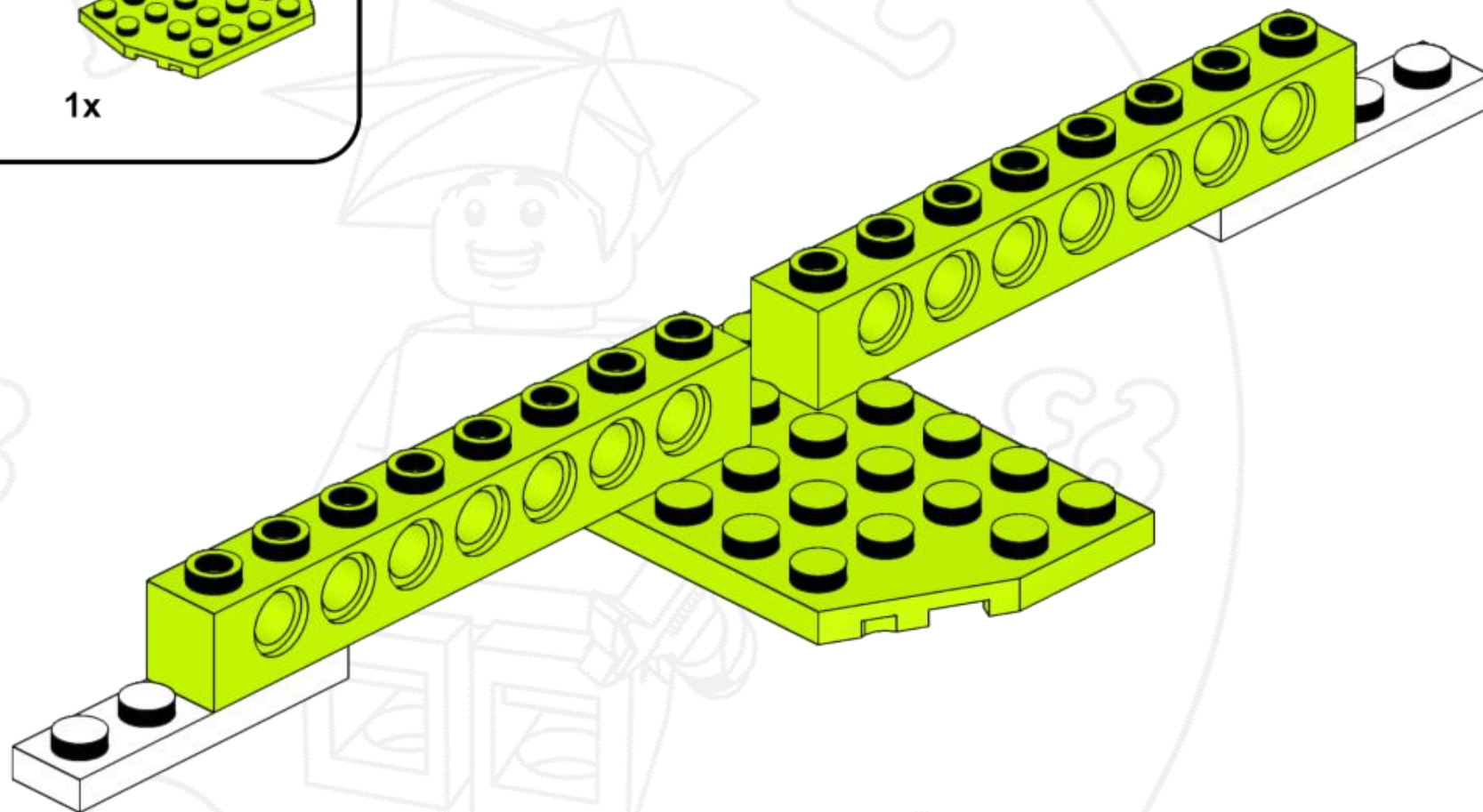
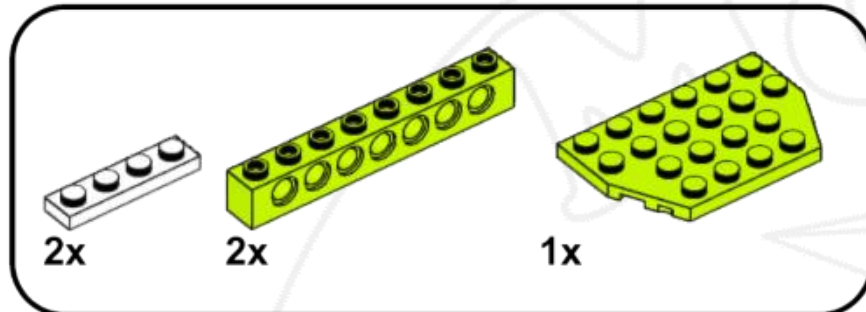




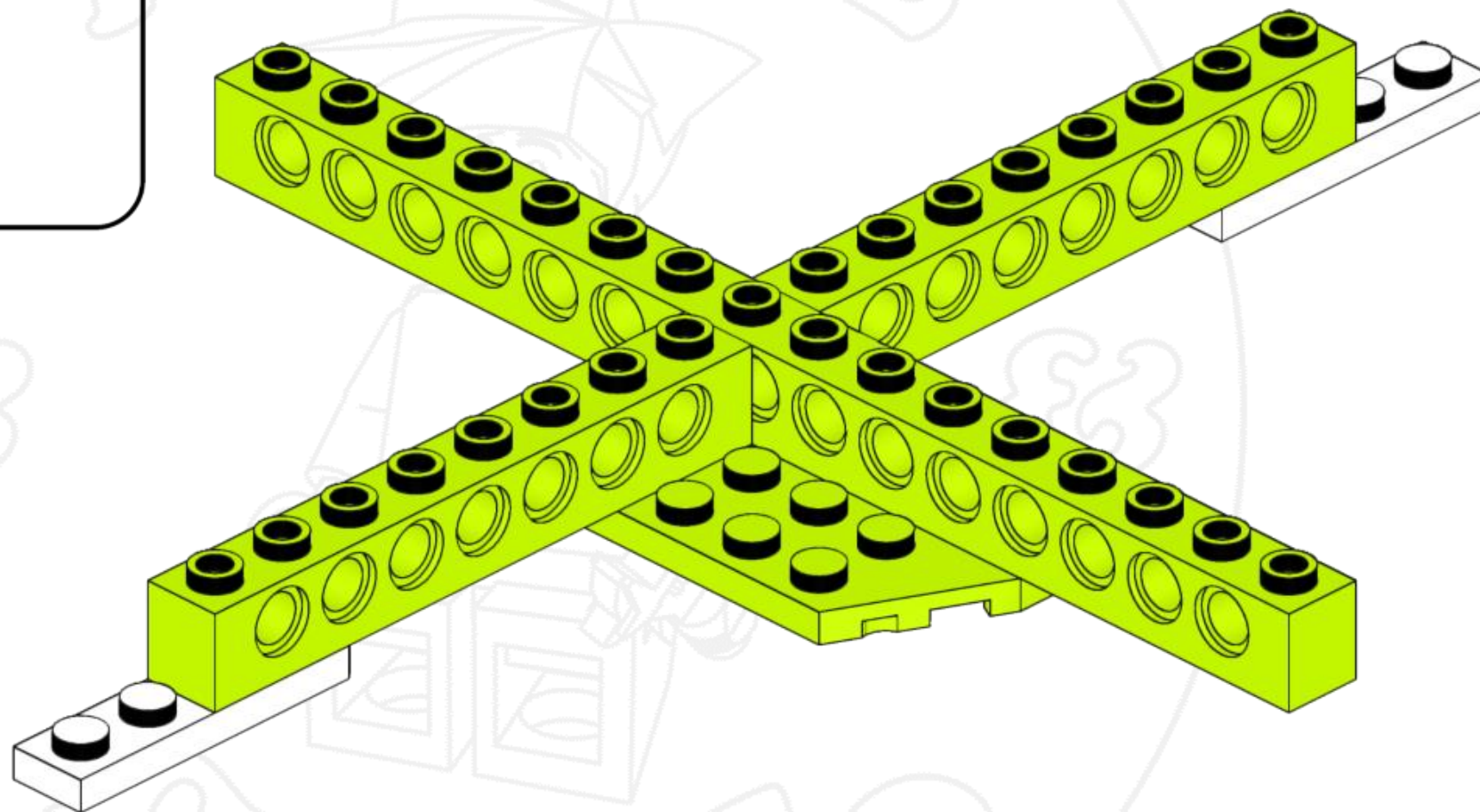
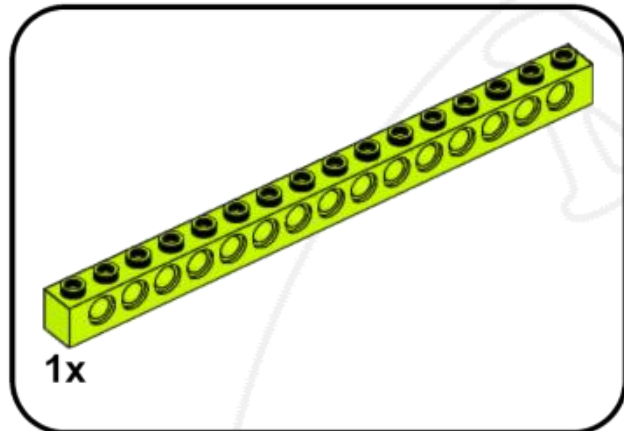
33



34

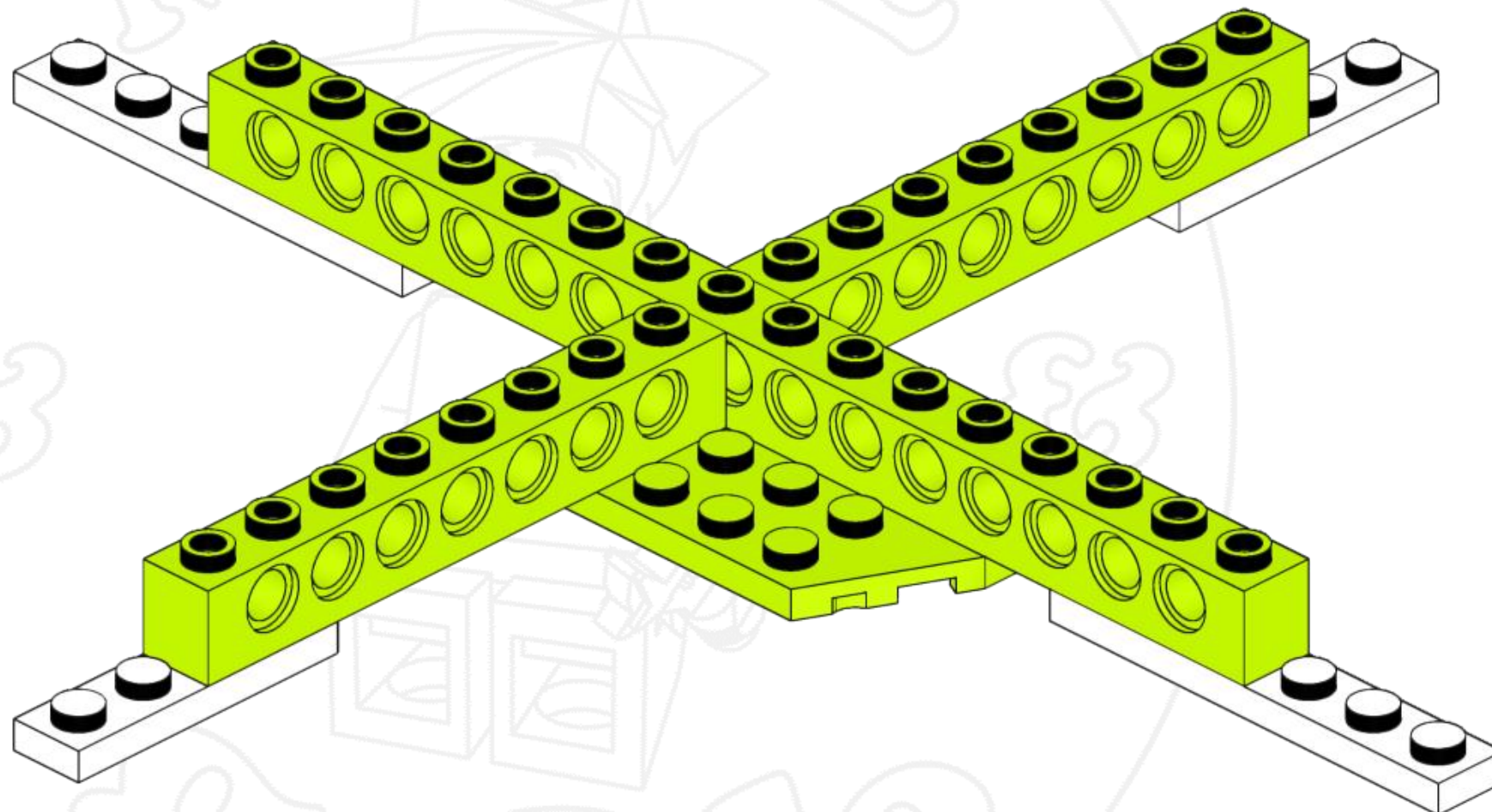
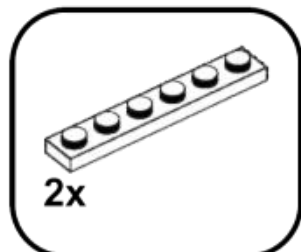


35

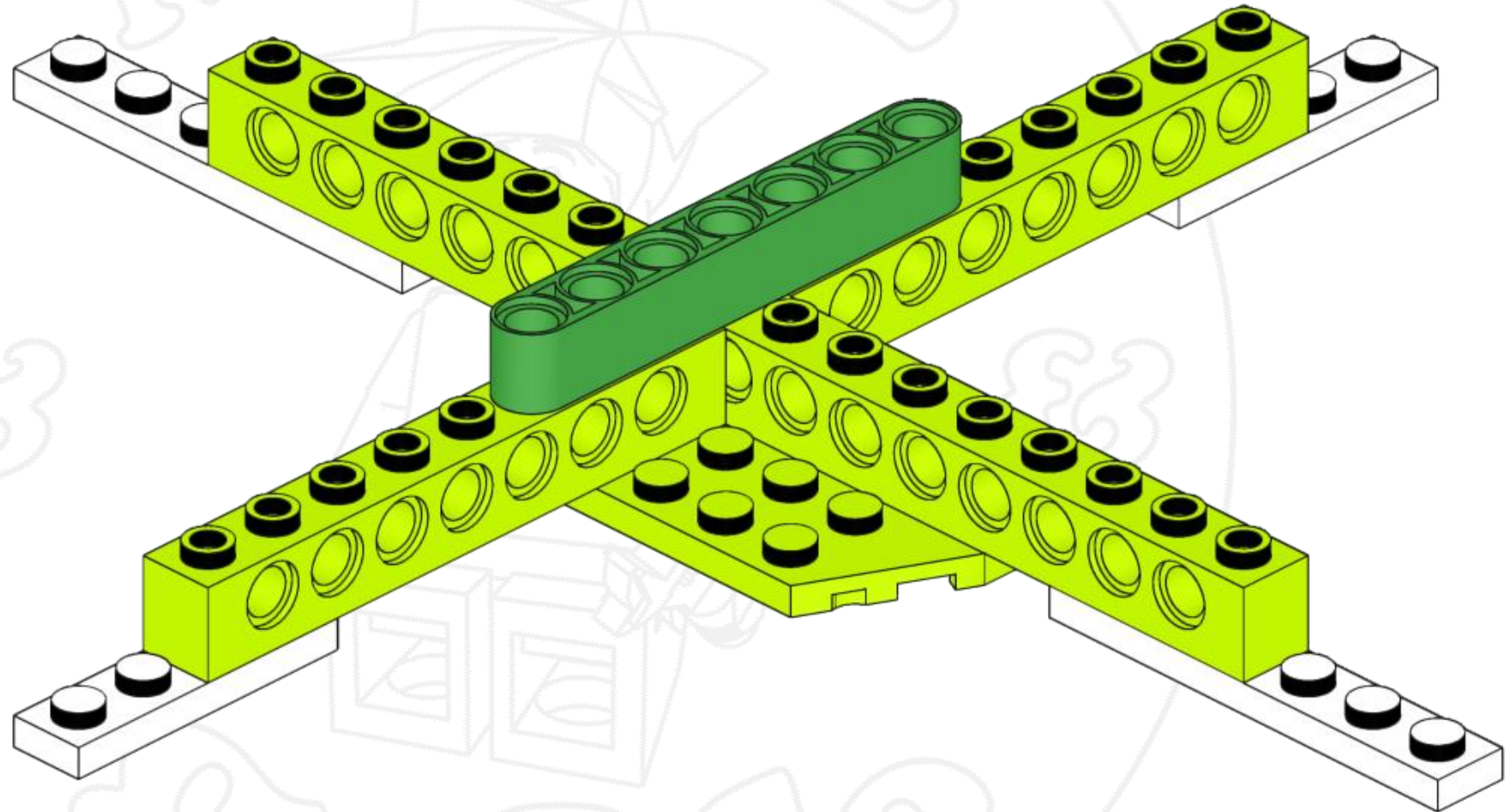
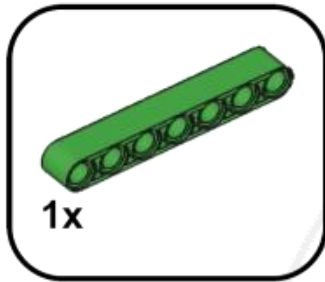




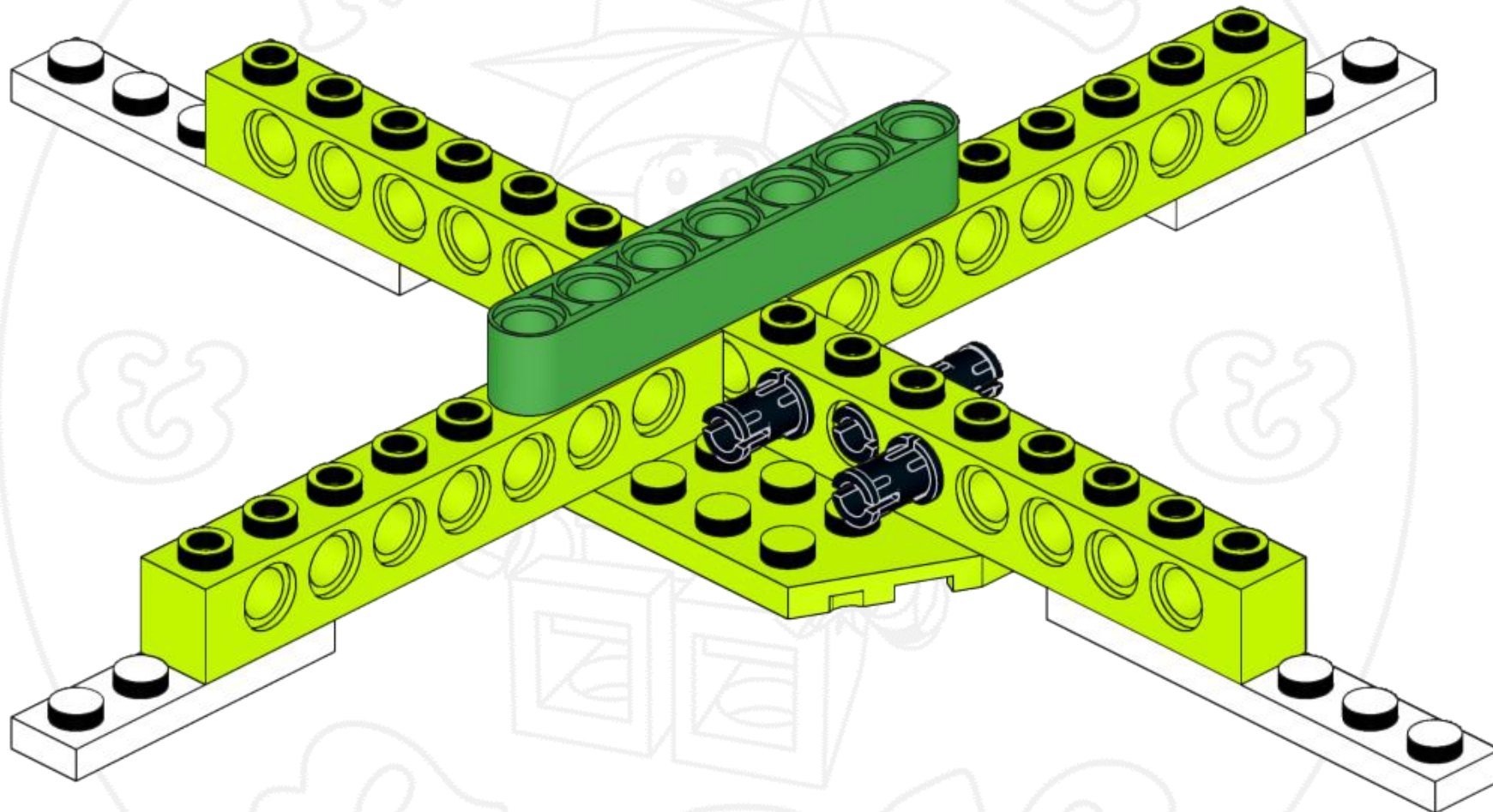
36



37

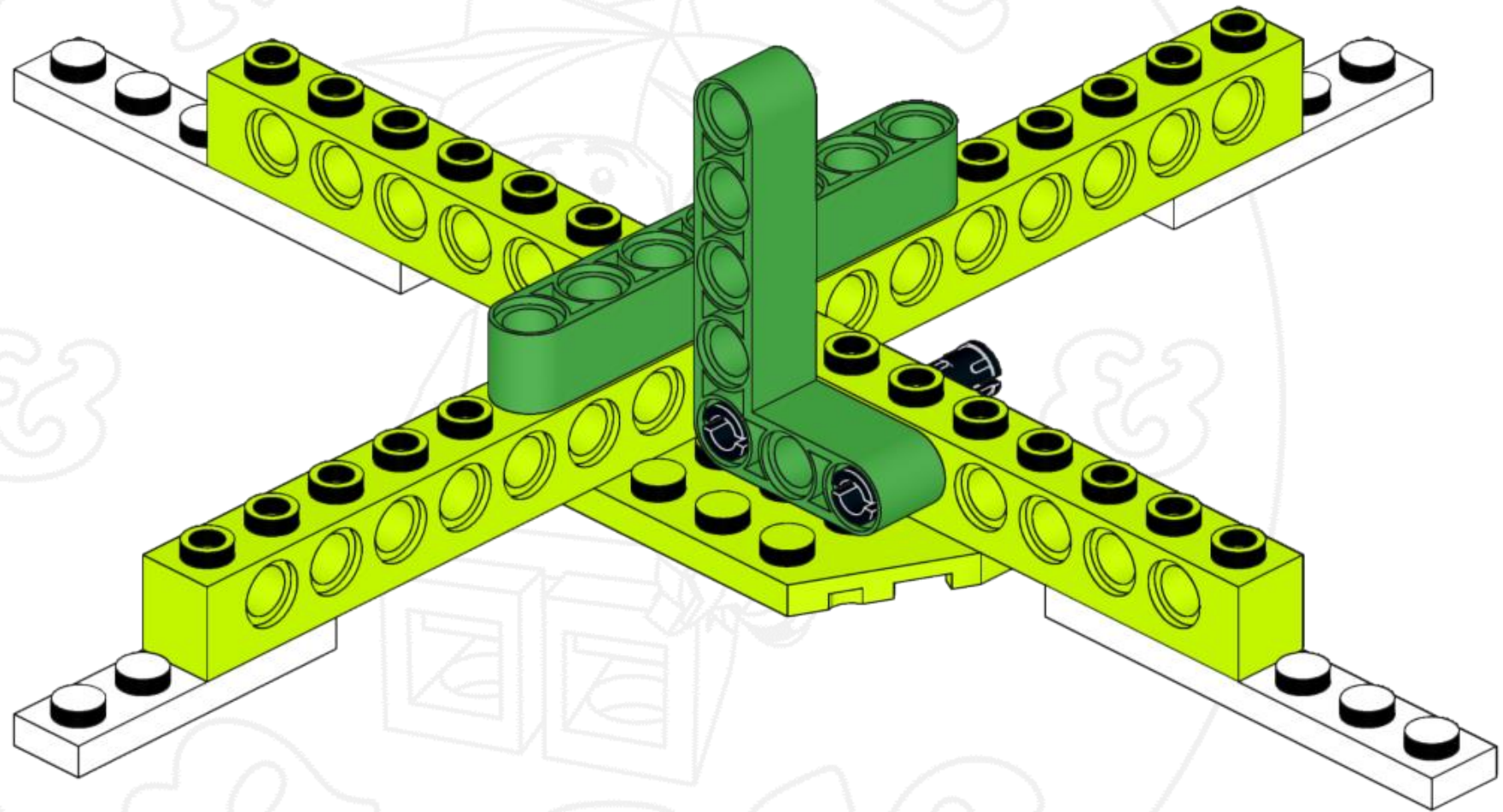
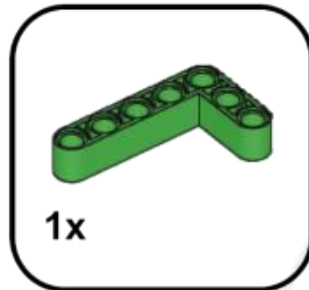


38

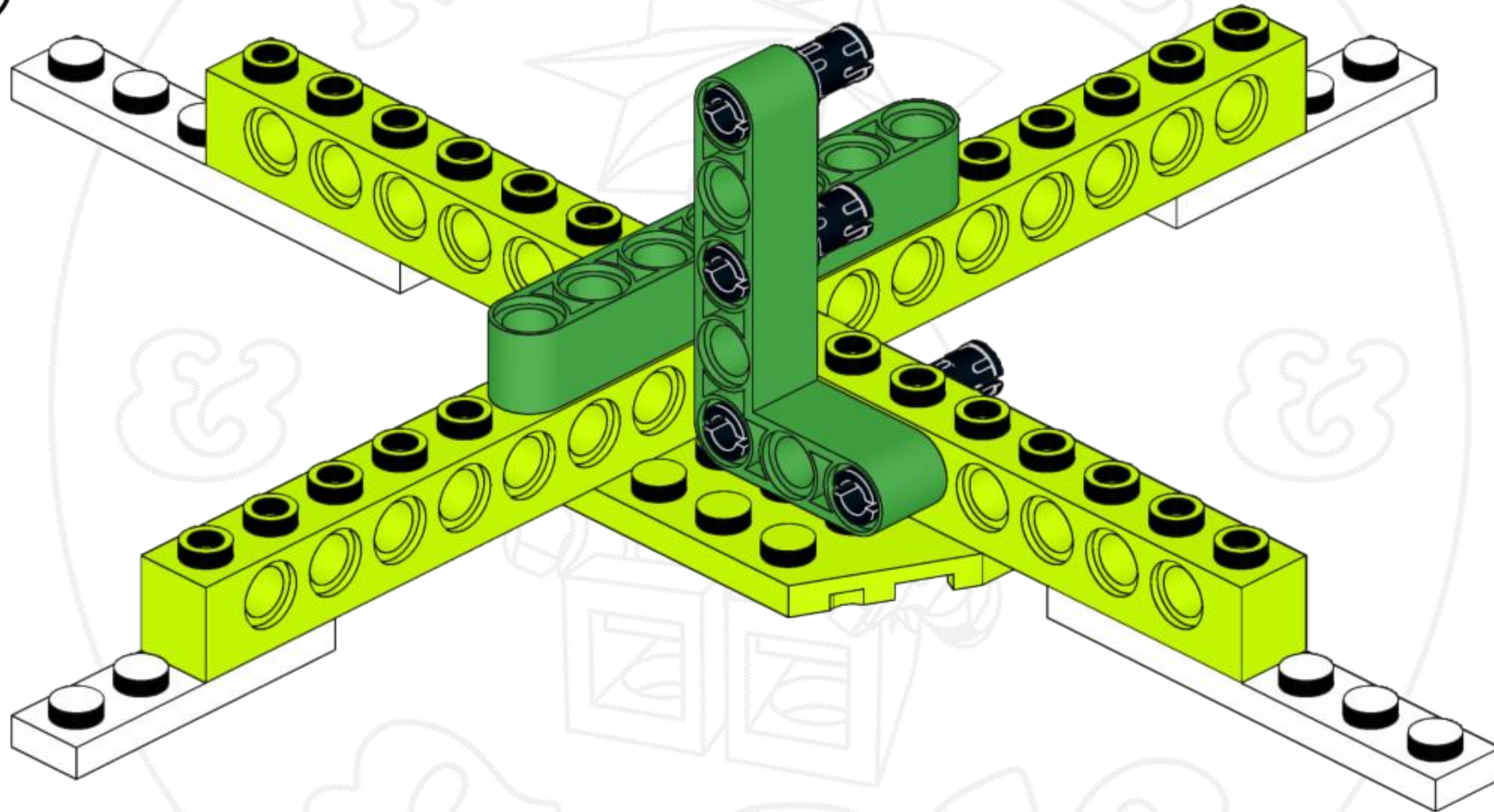




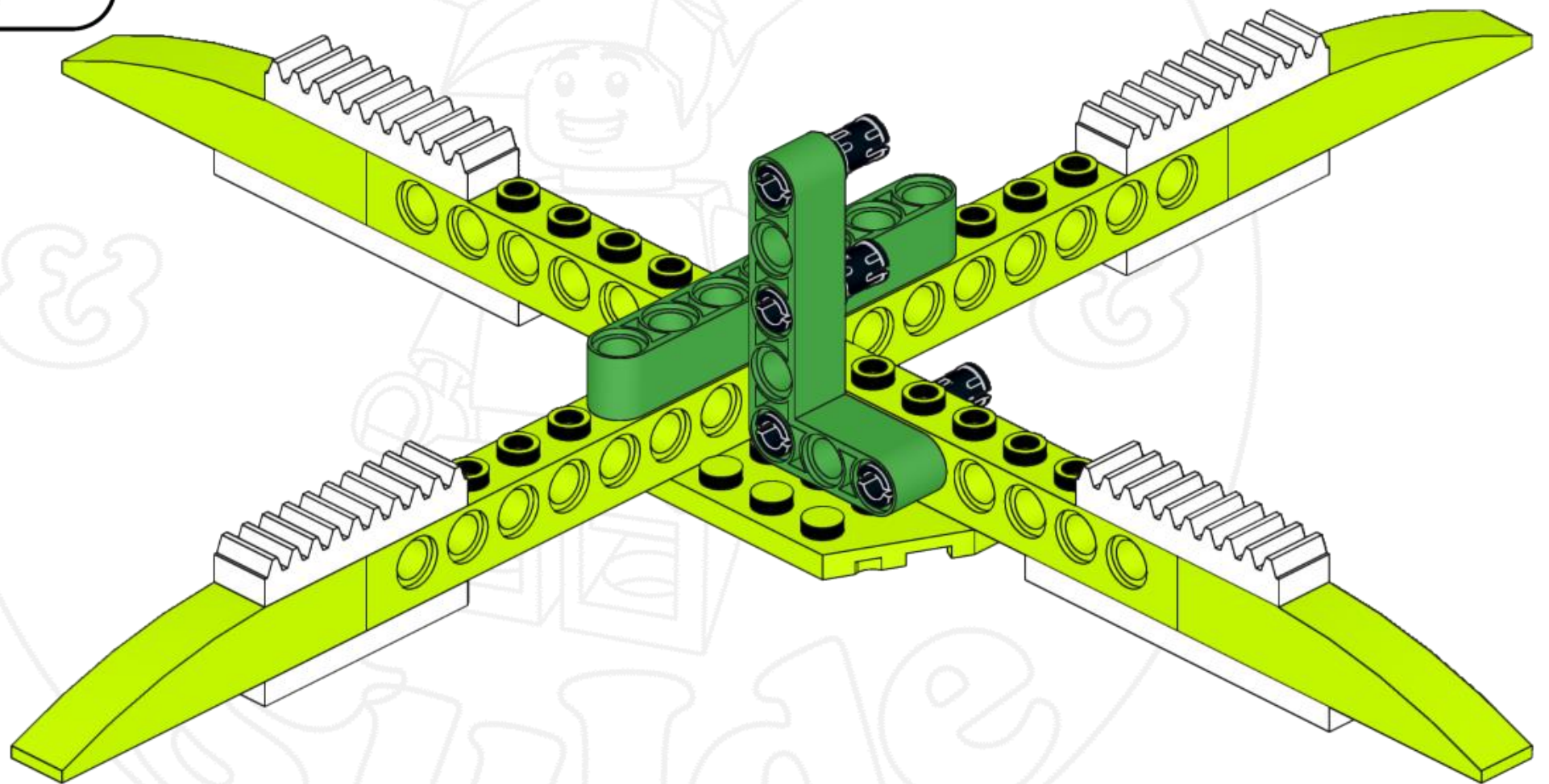
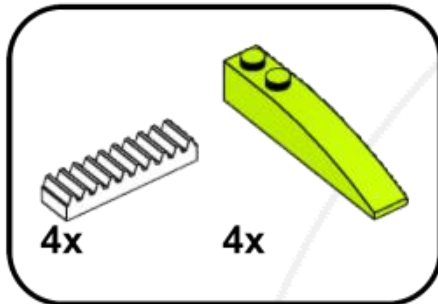
39



40

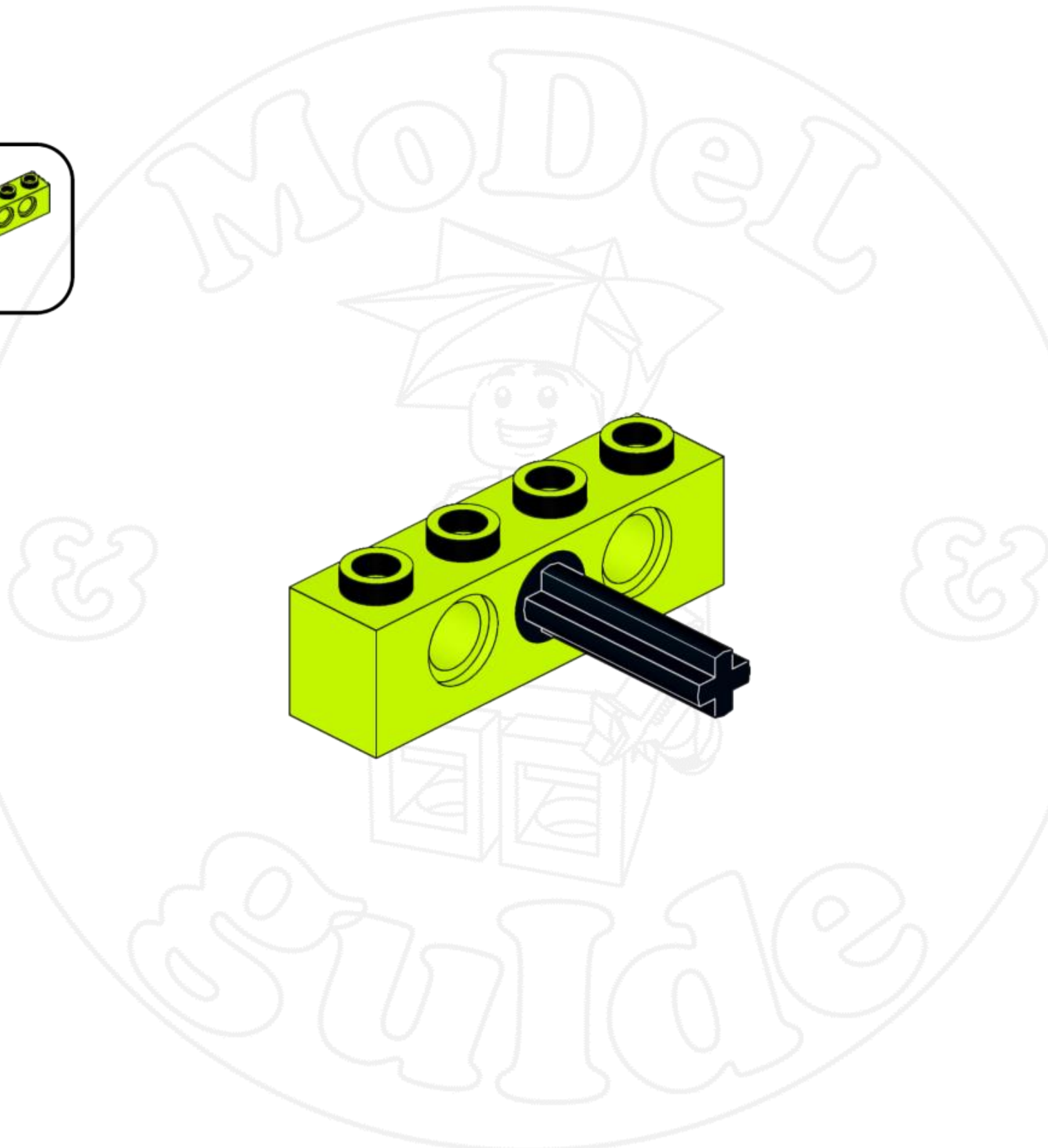
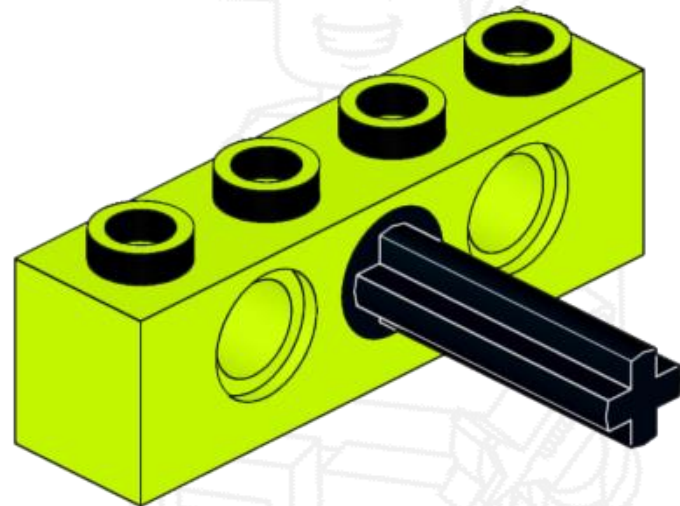
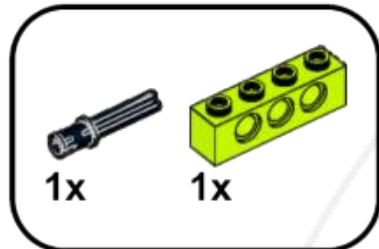


41

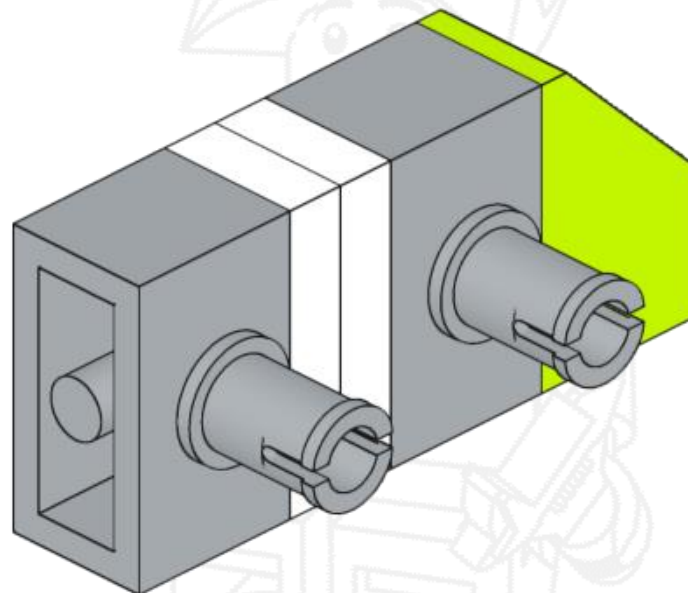
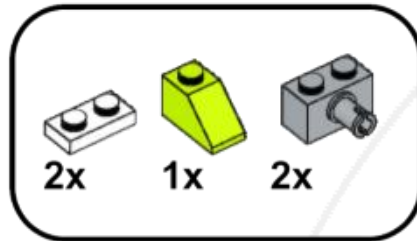




42



43

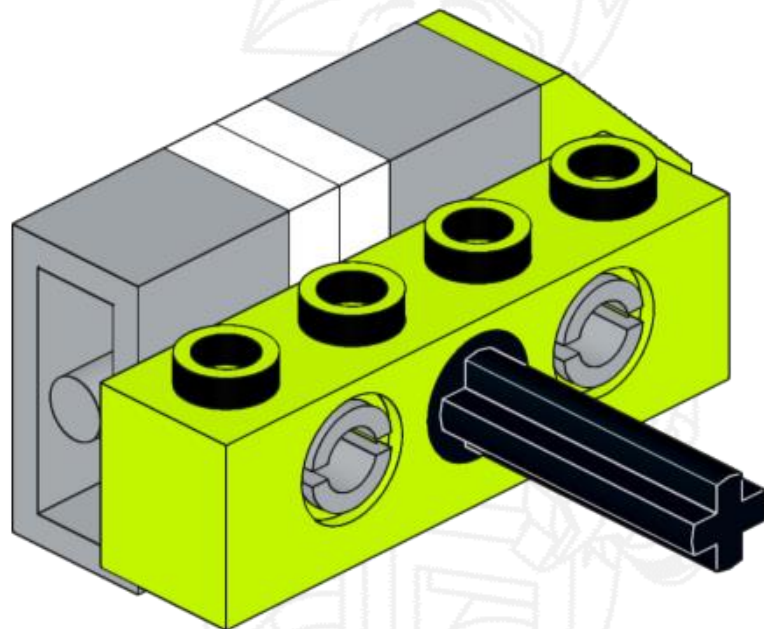
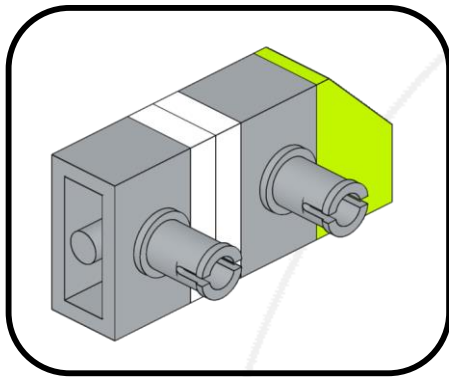


&

&

Build Guide

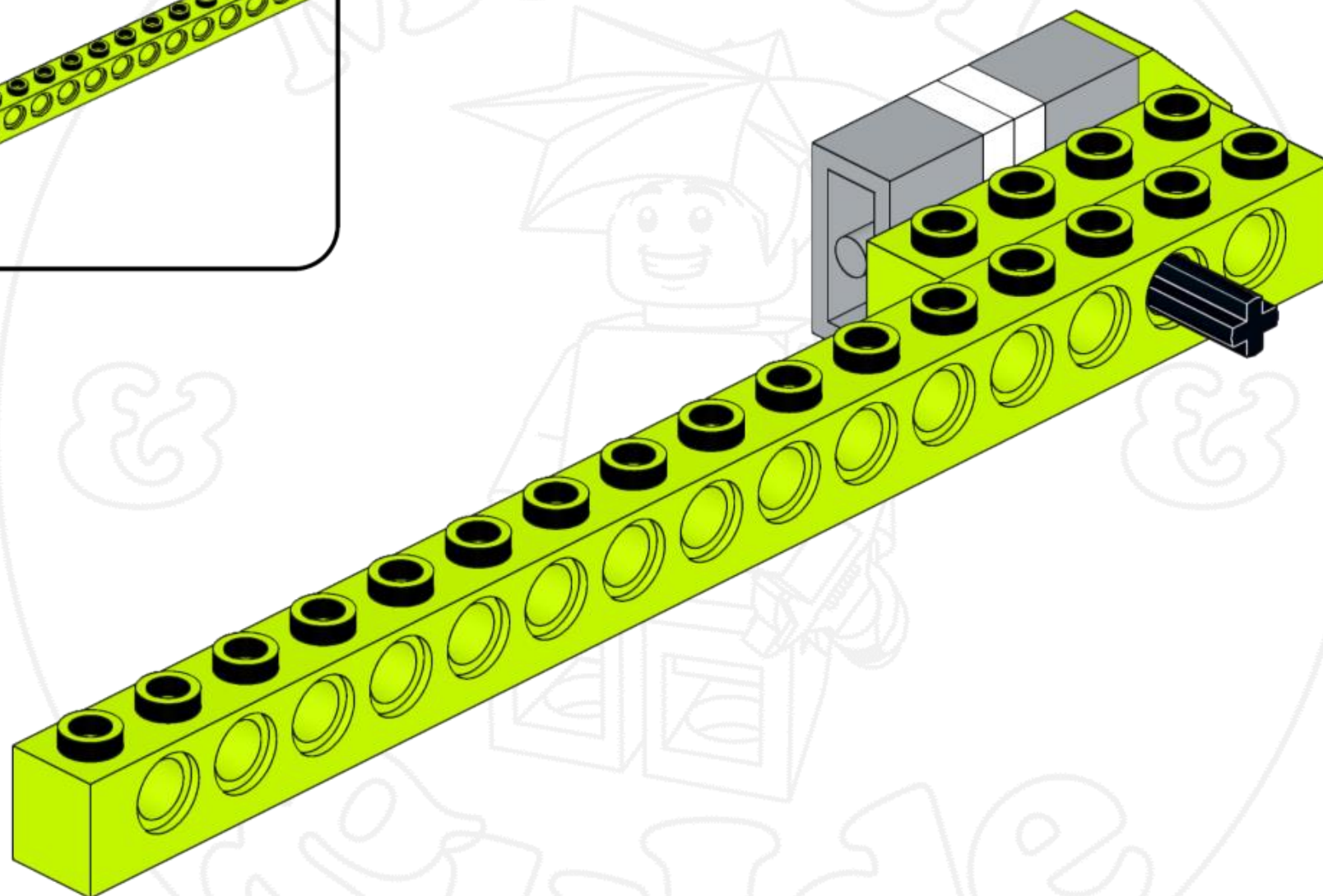
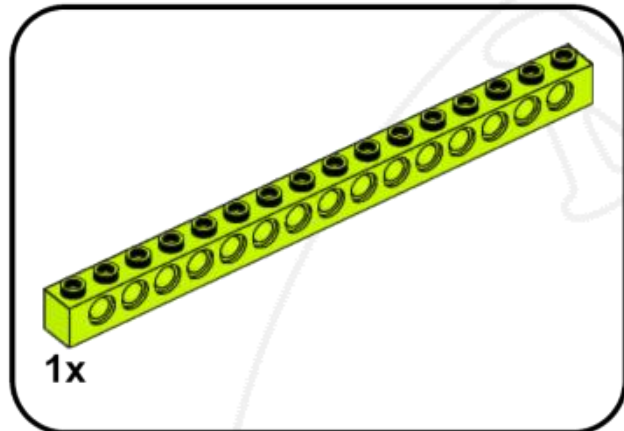
44



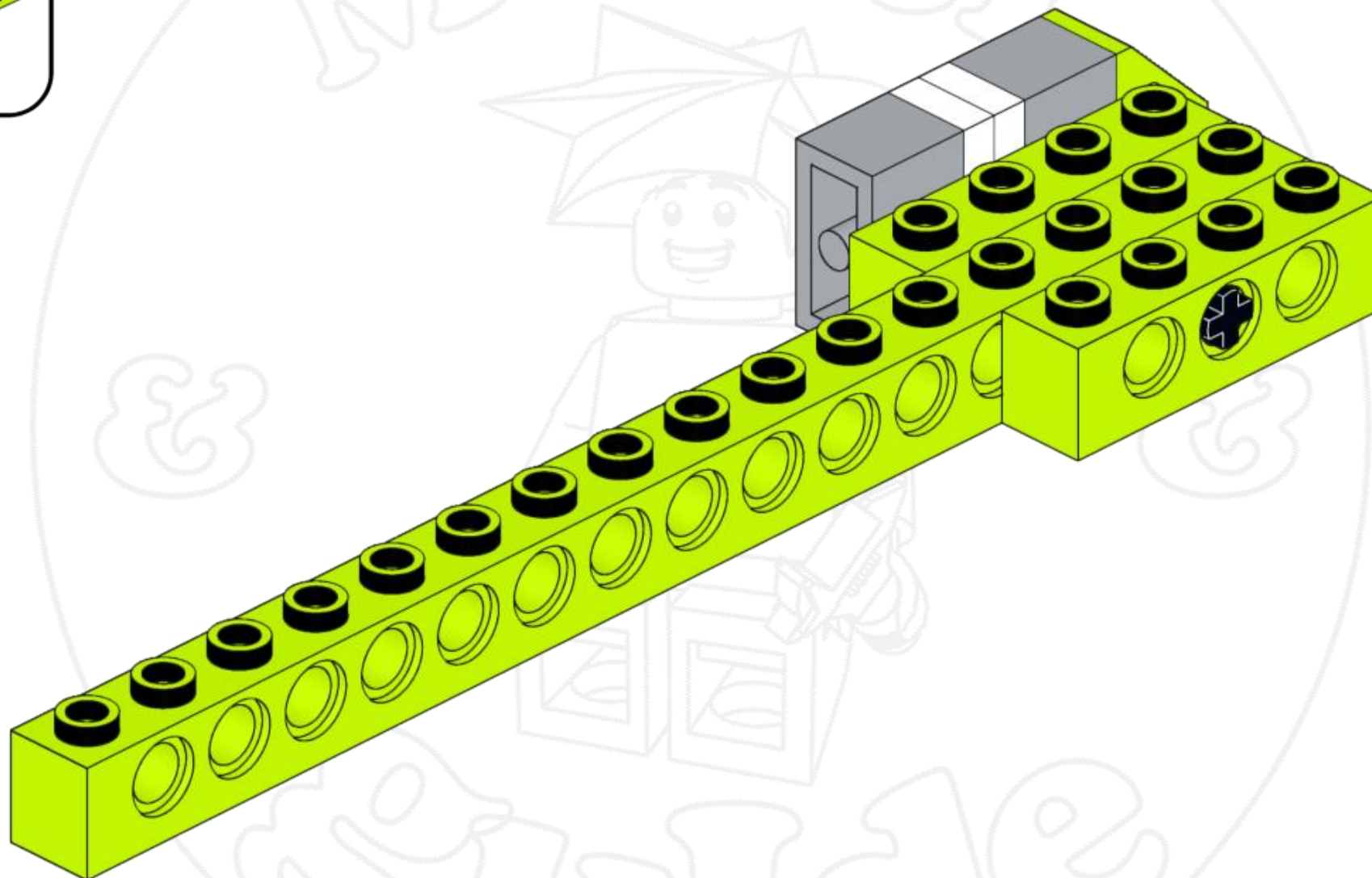
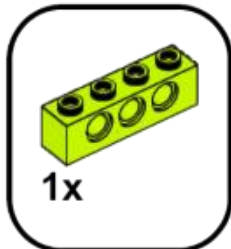
Model  
&  
Guide



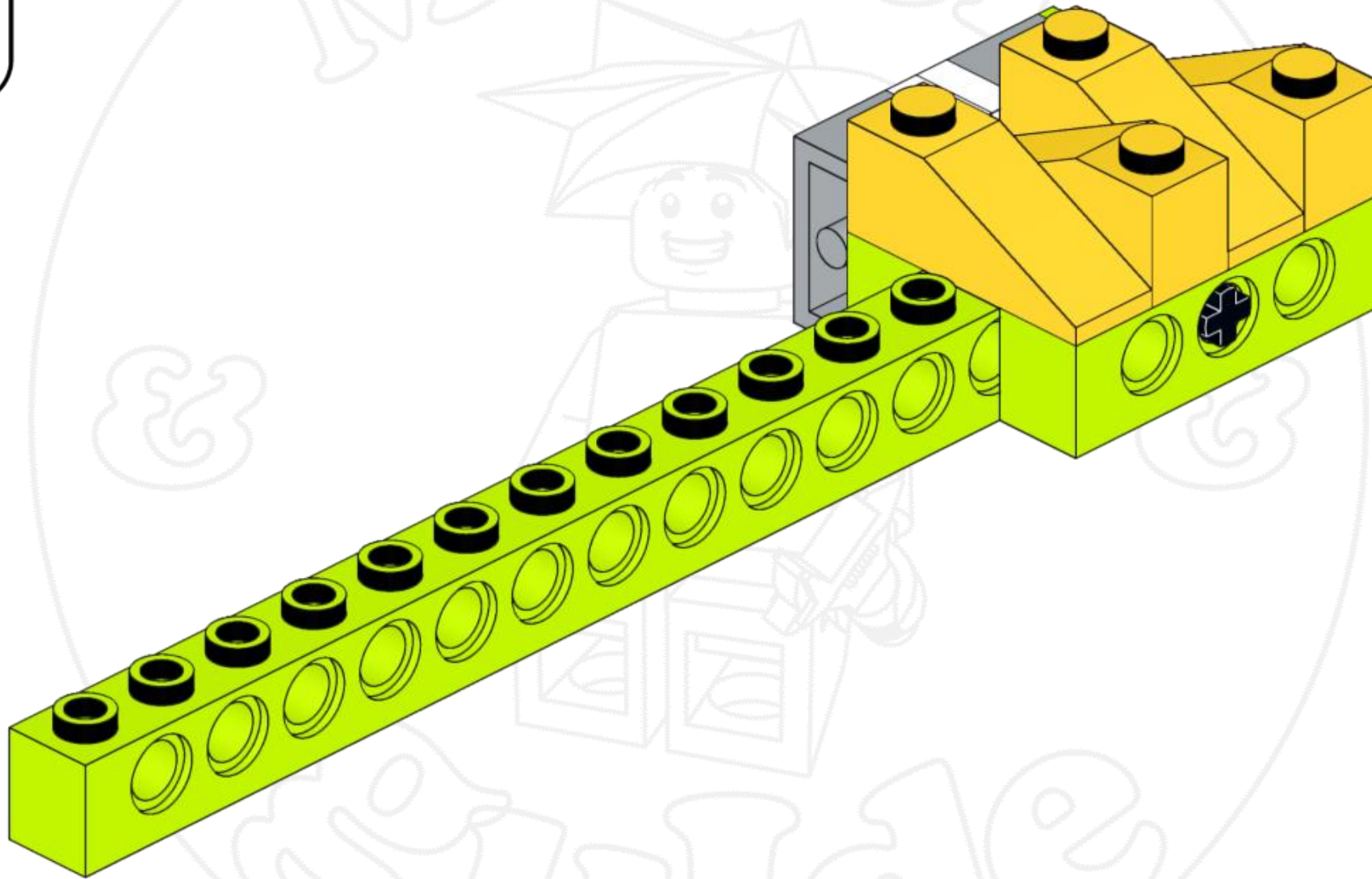
45



46

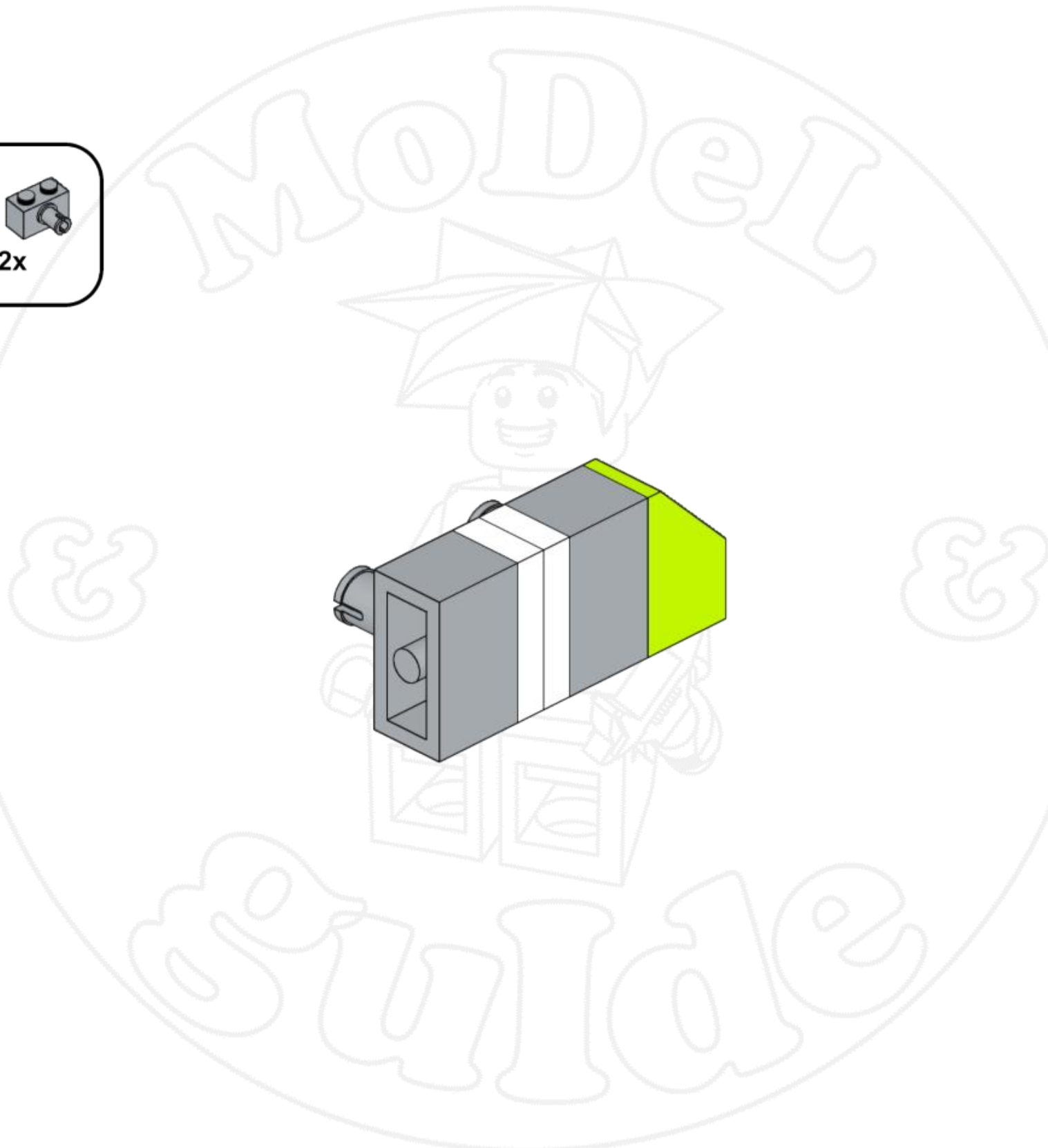
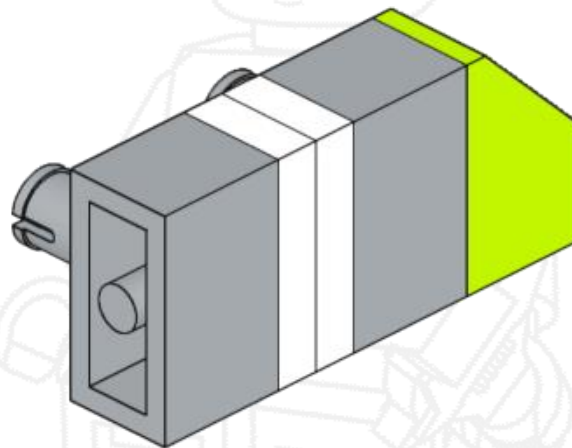
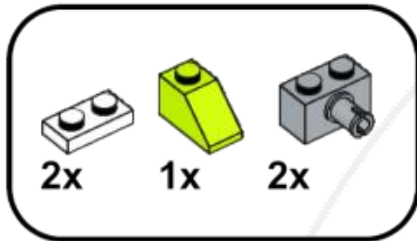


47

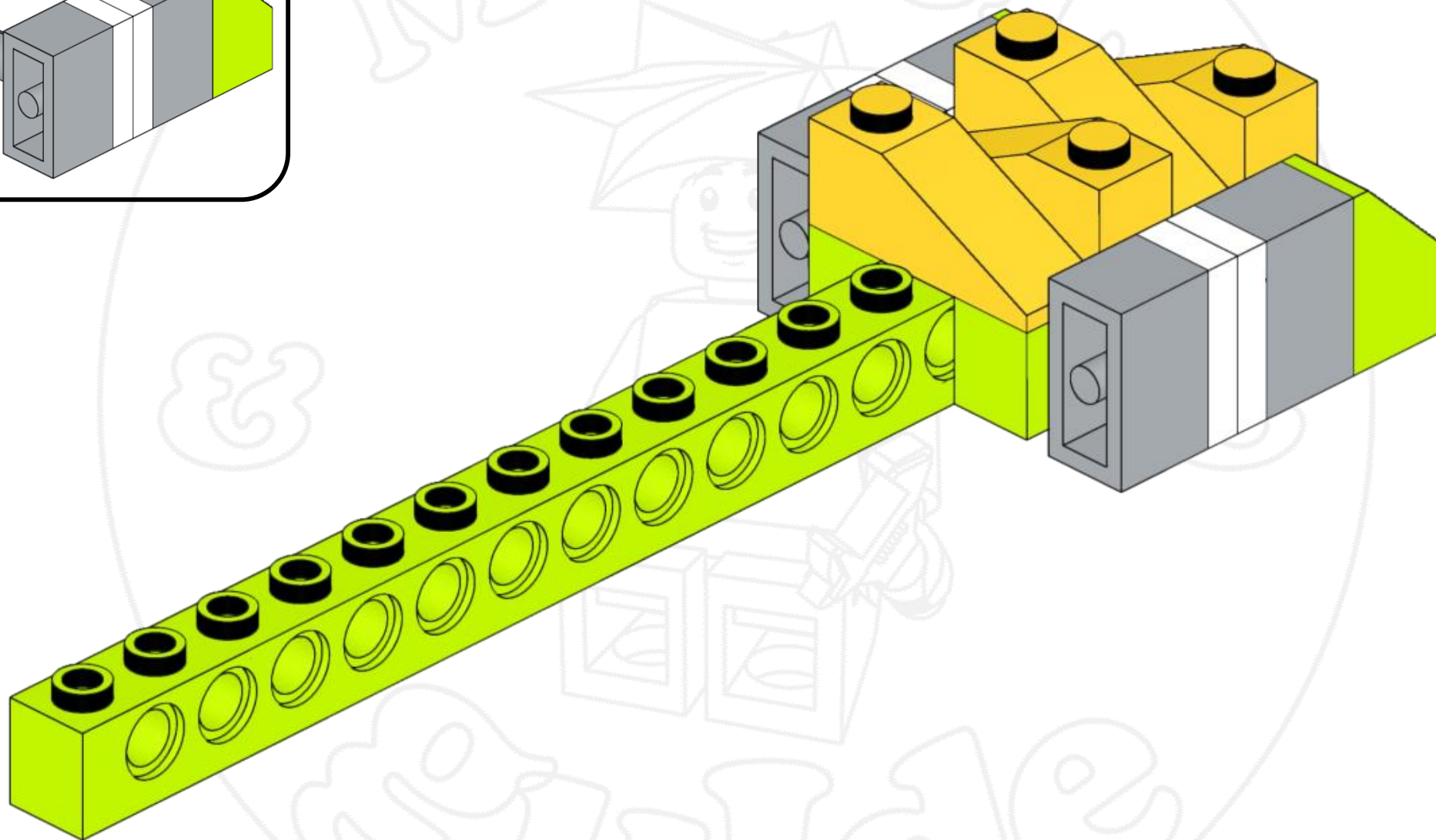
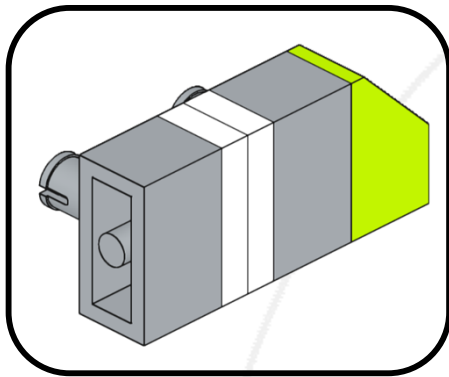




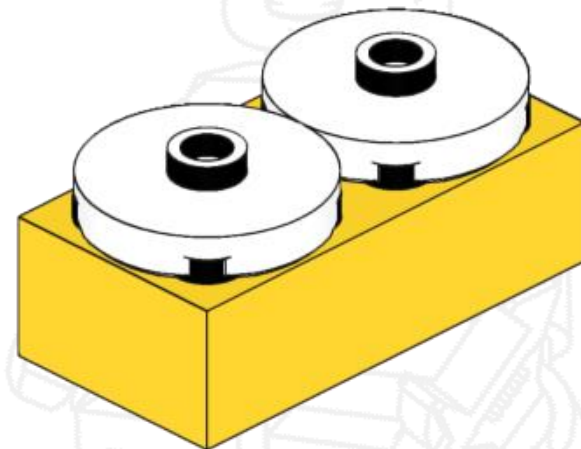
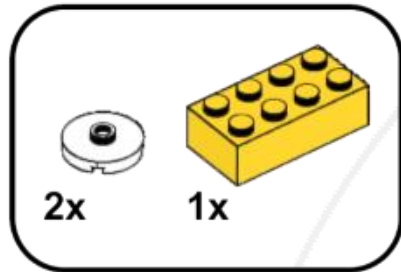
48



49



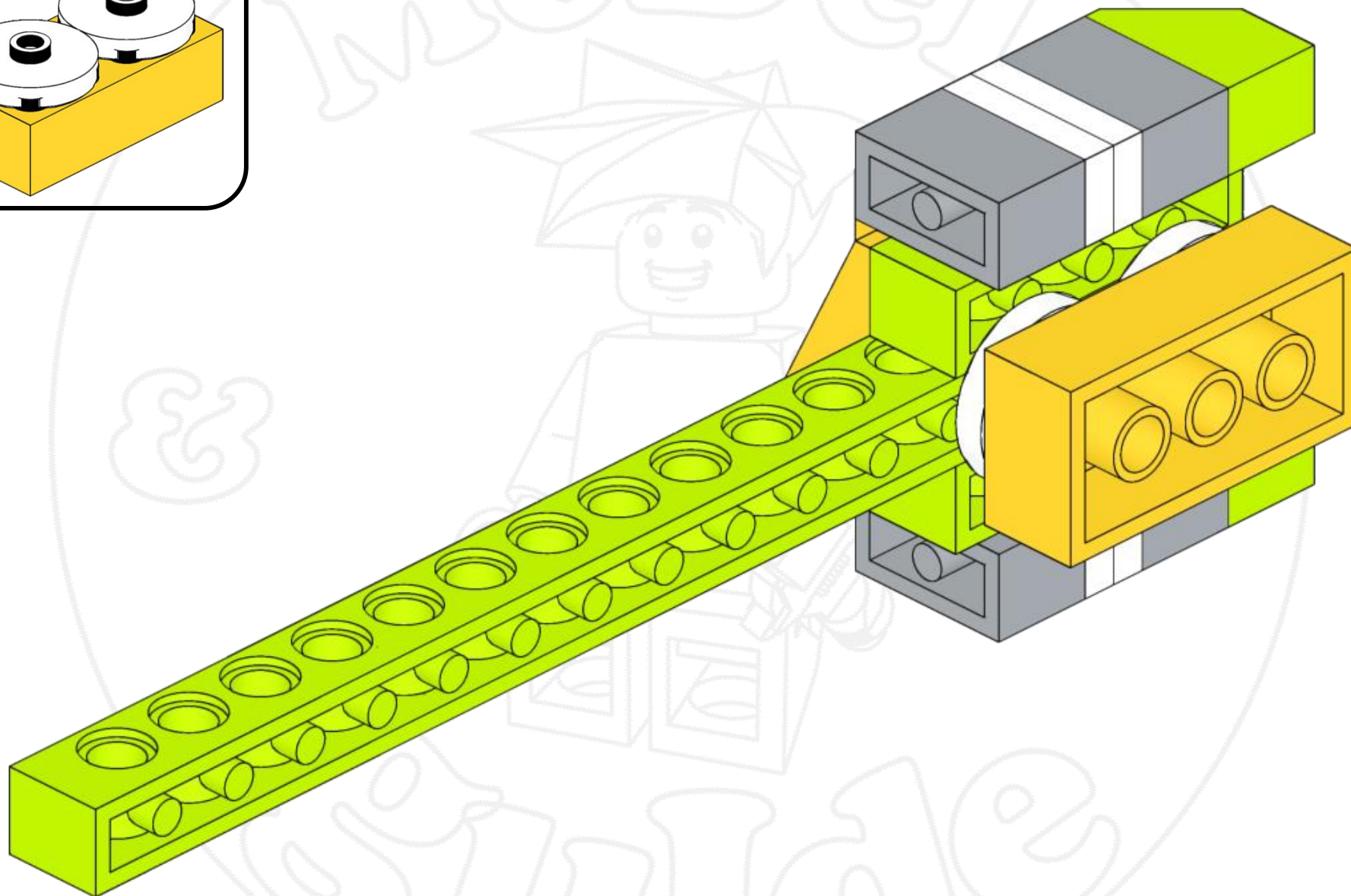
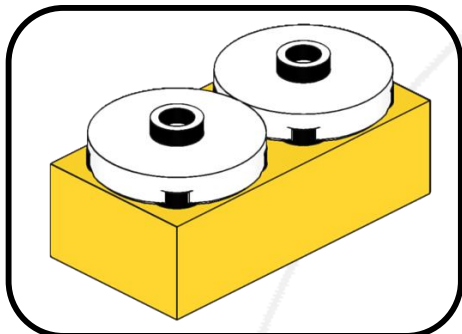
50



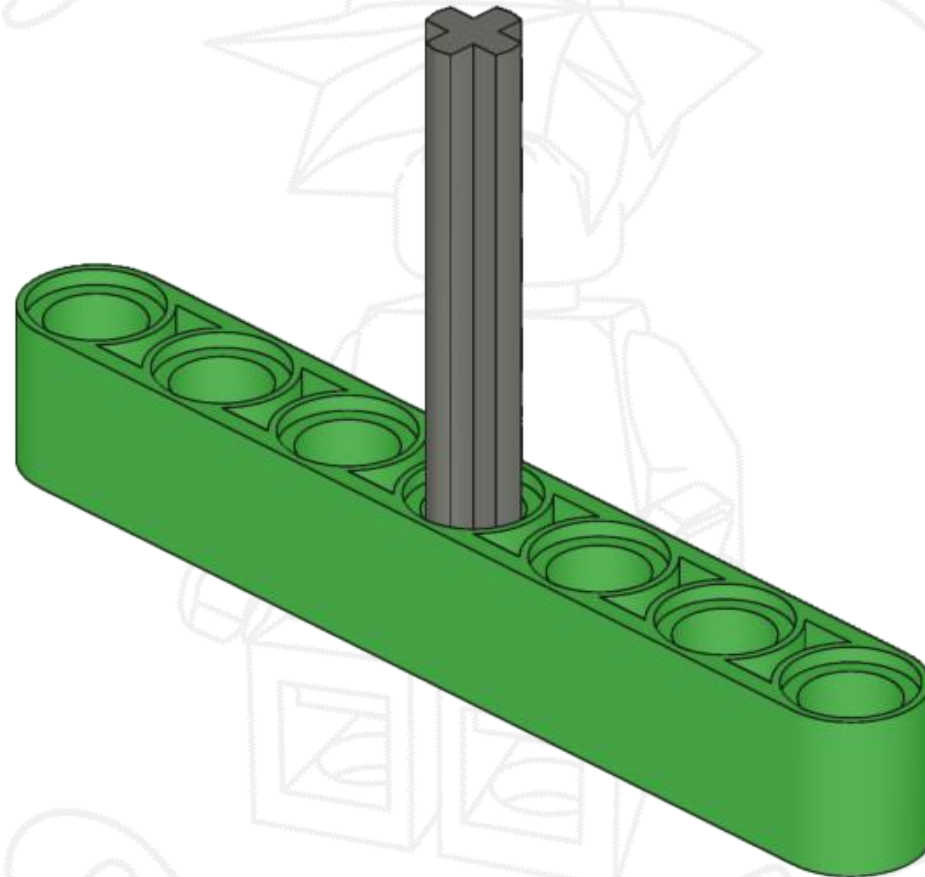
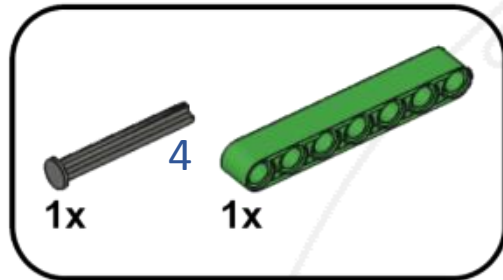
Model  
& &  
Guide



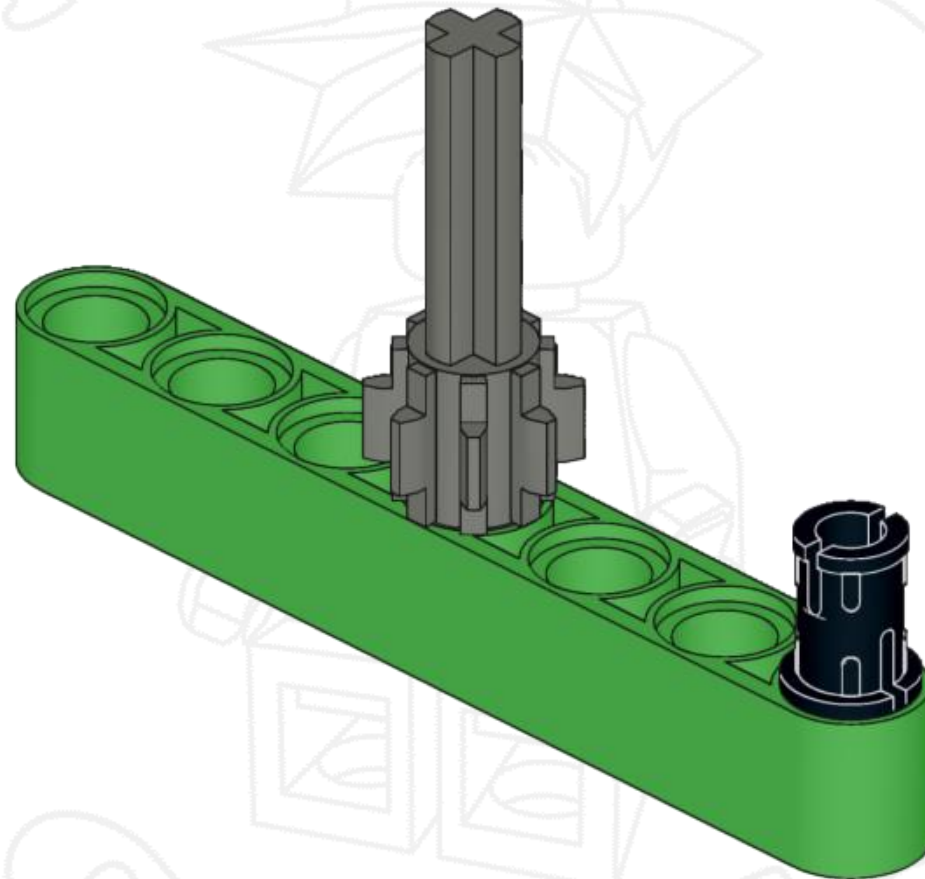
51



52

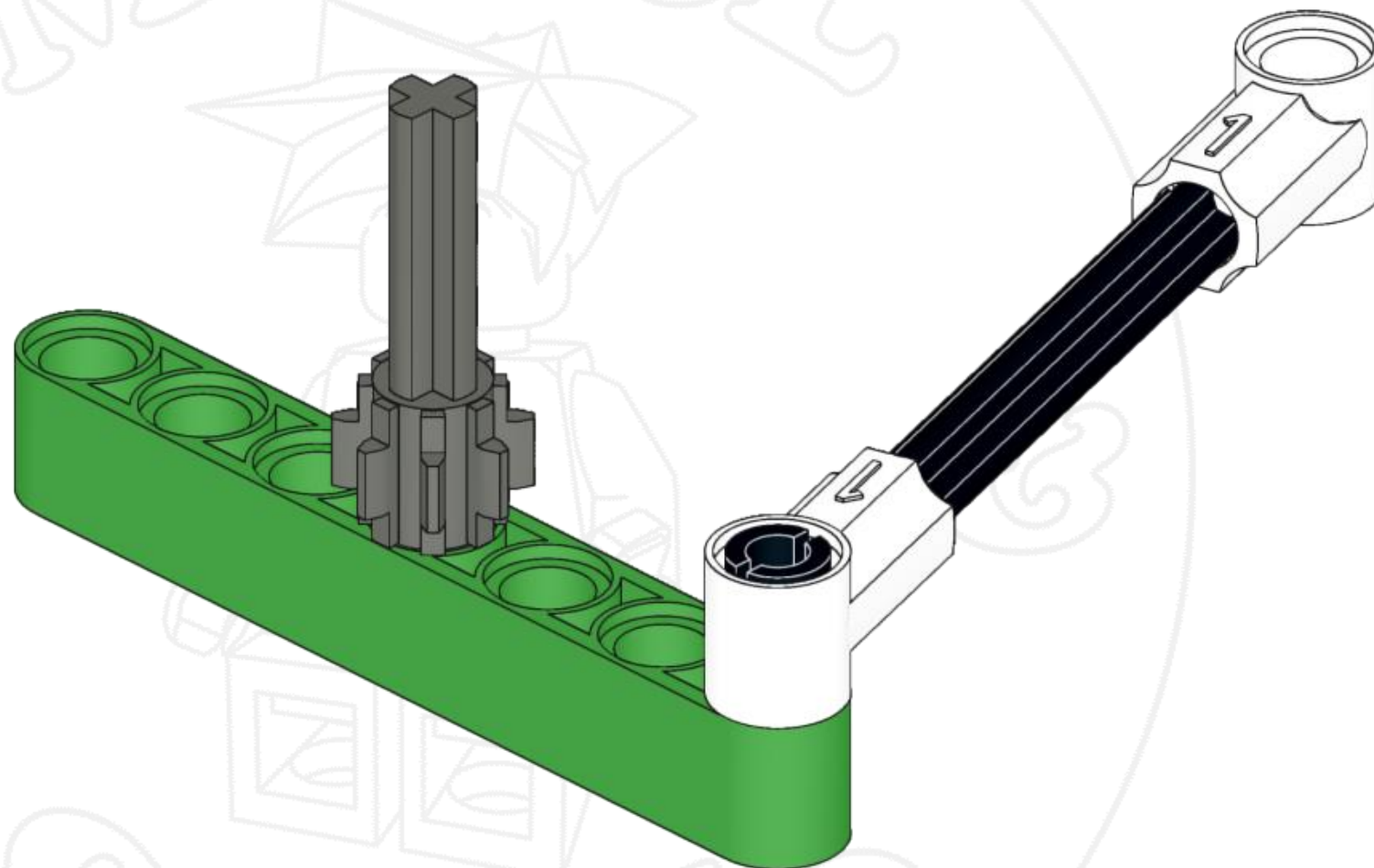
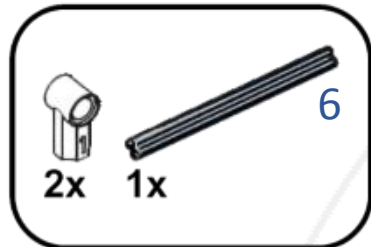


53

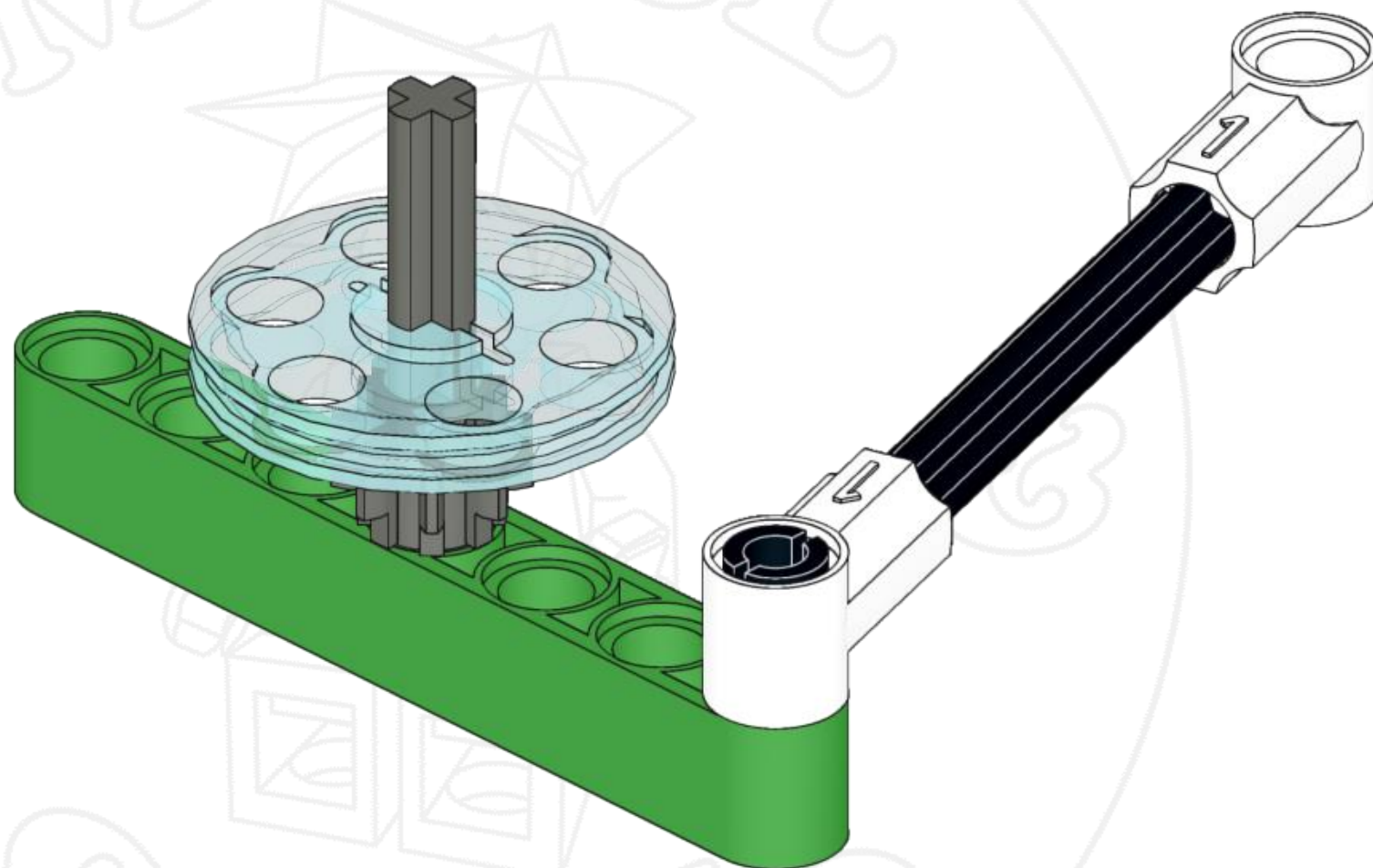




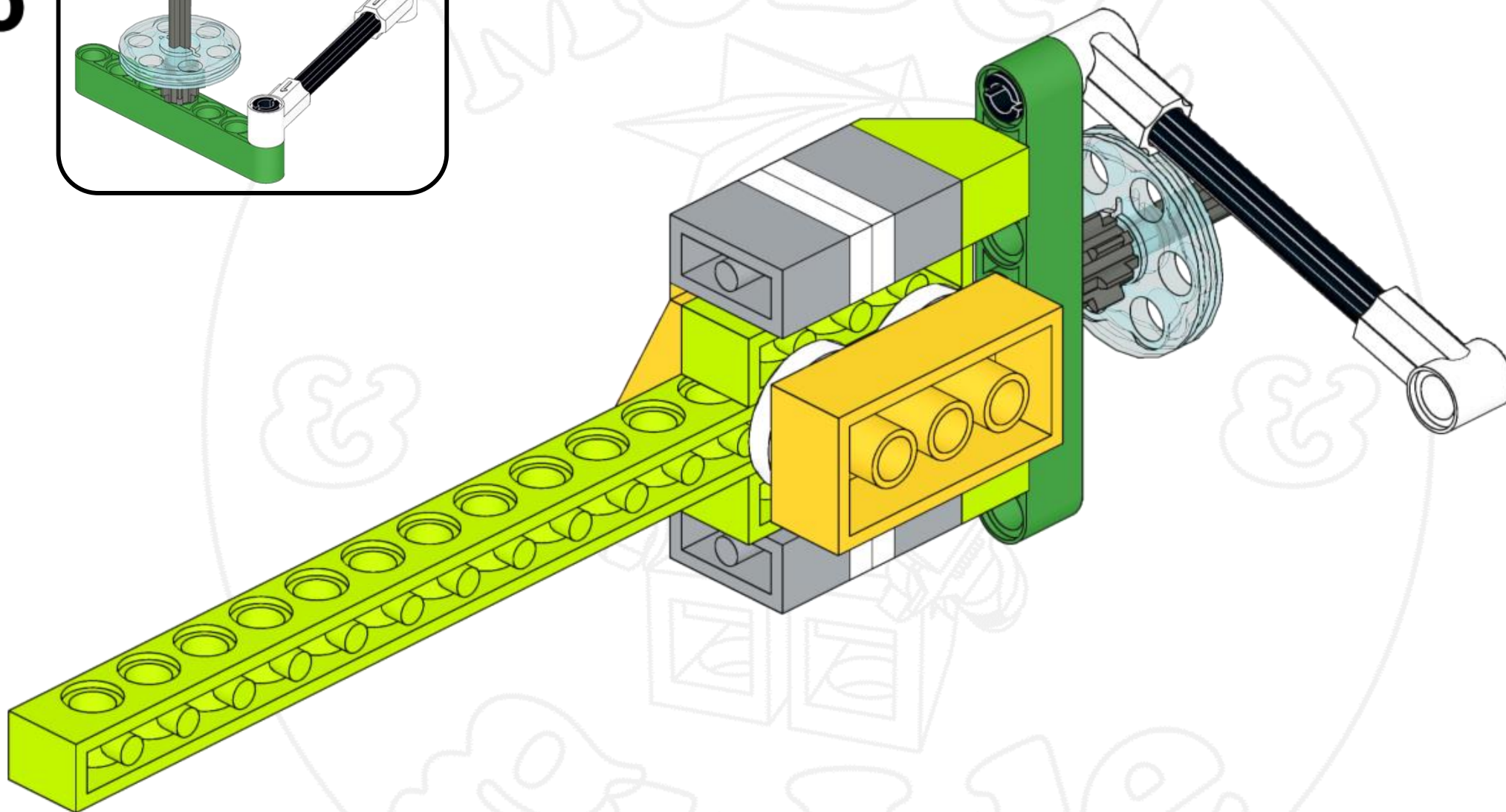
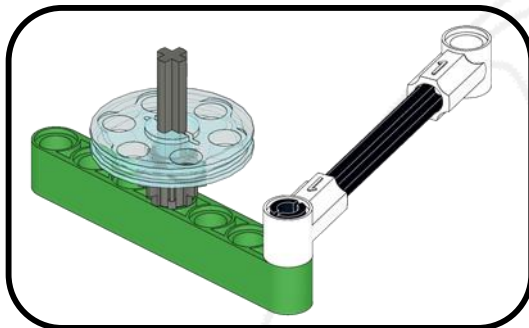
54



55

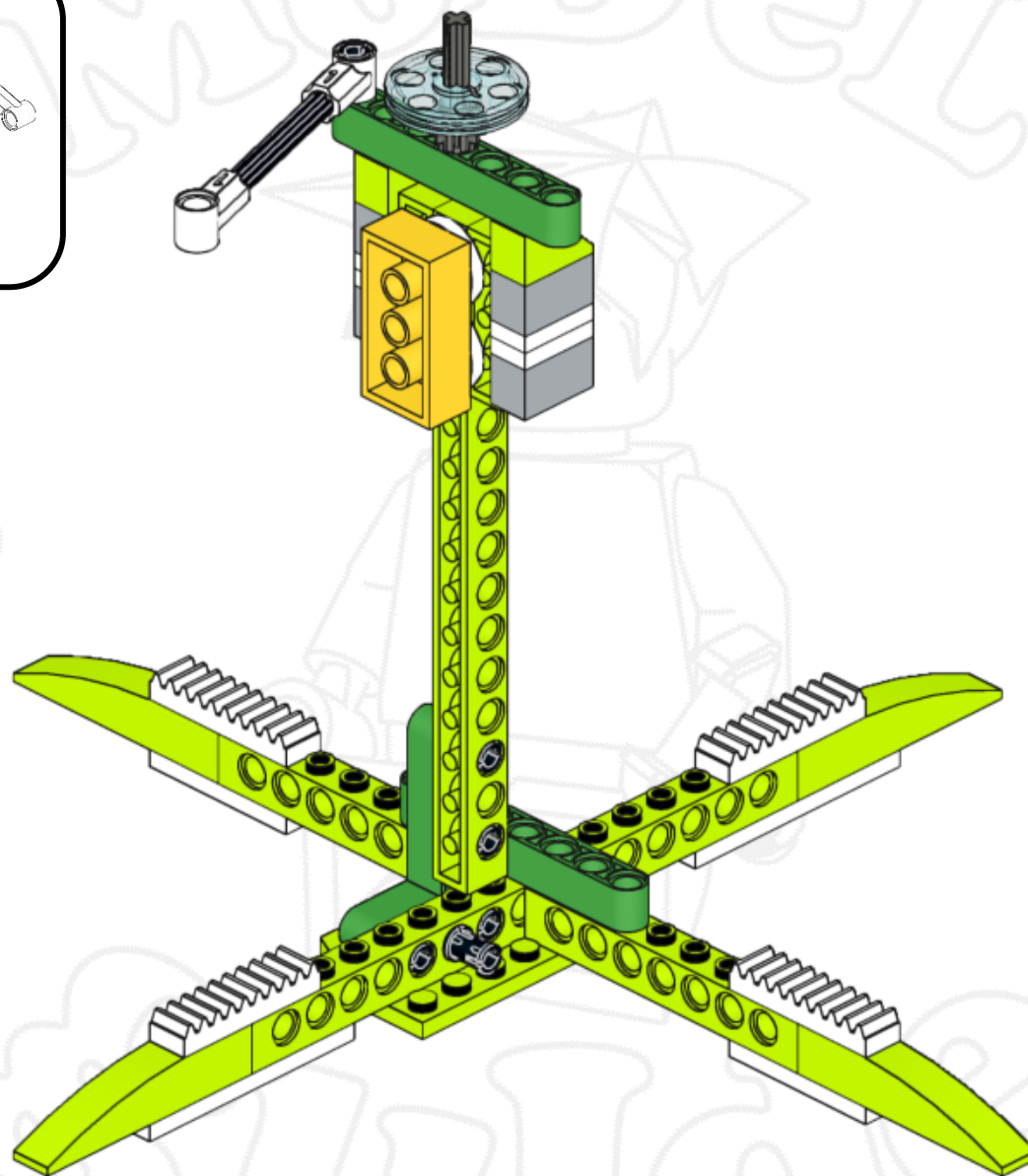
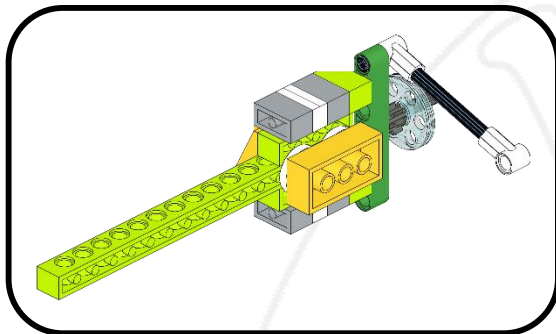


56

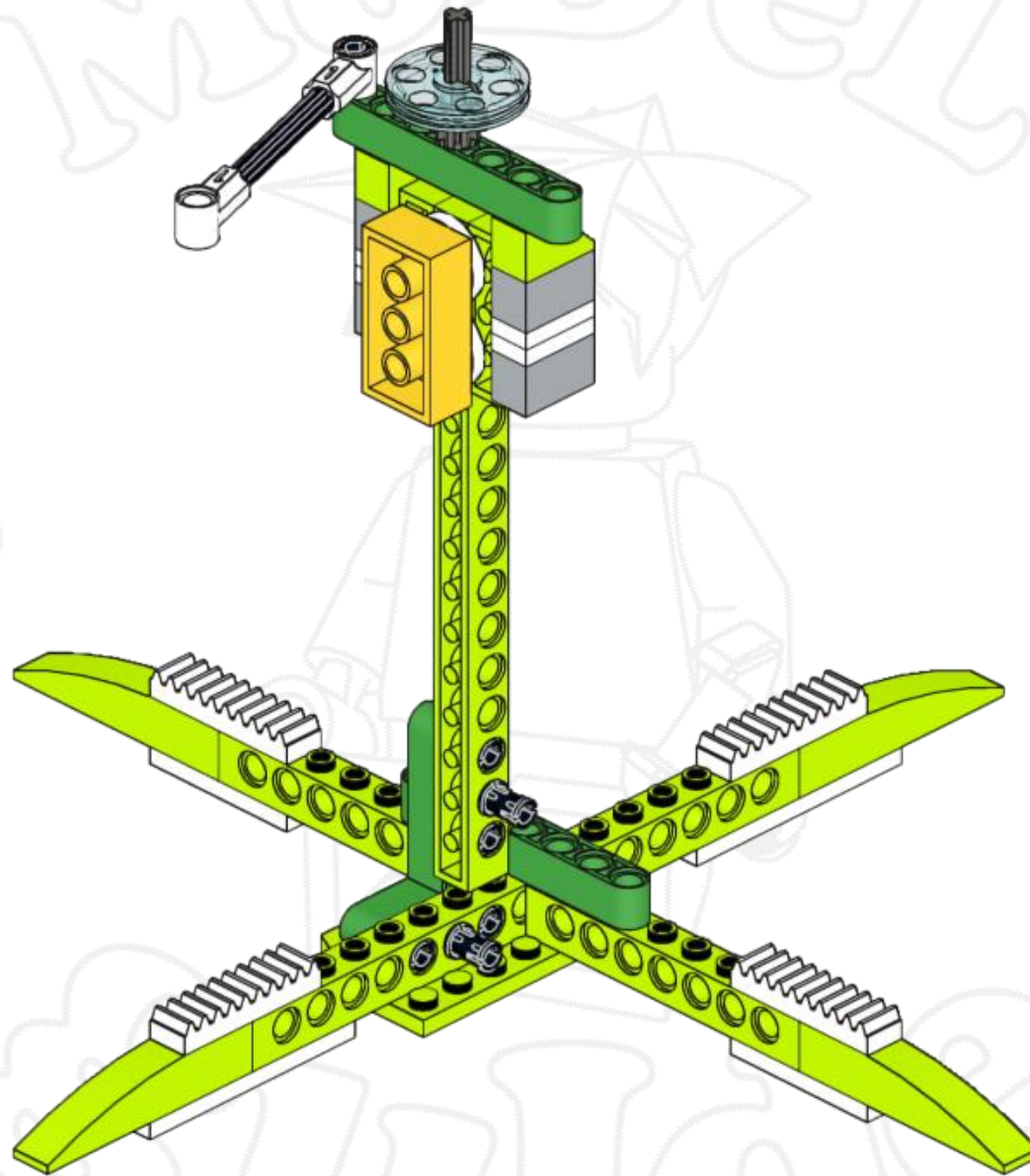




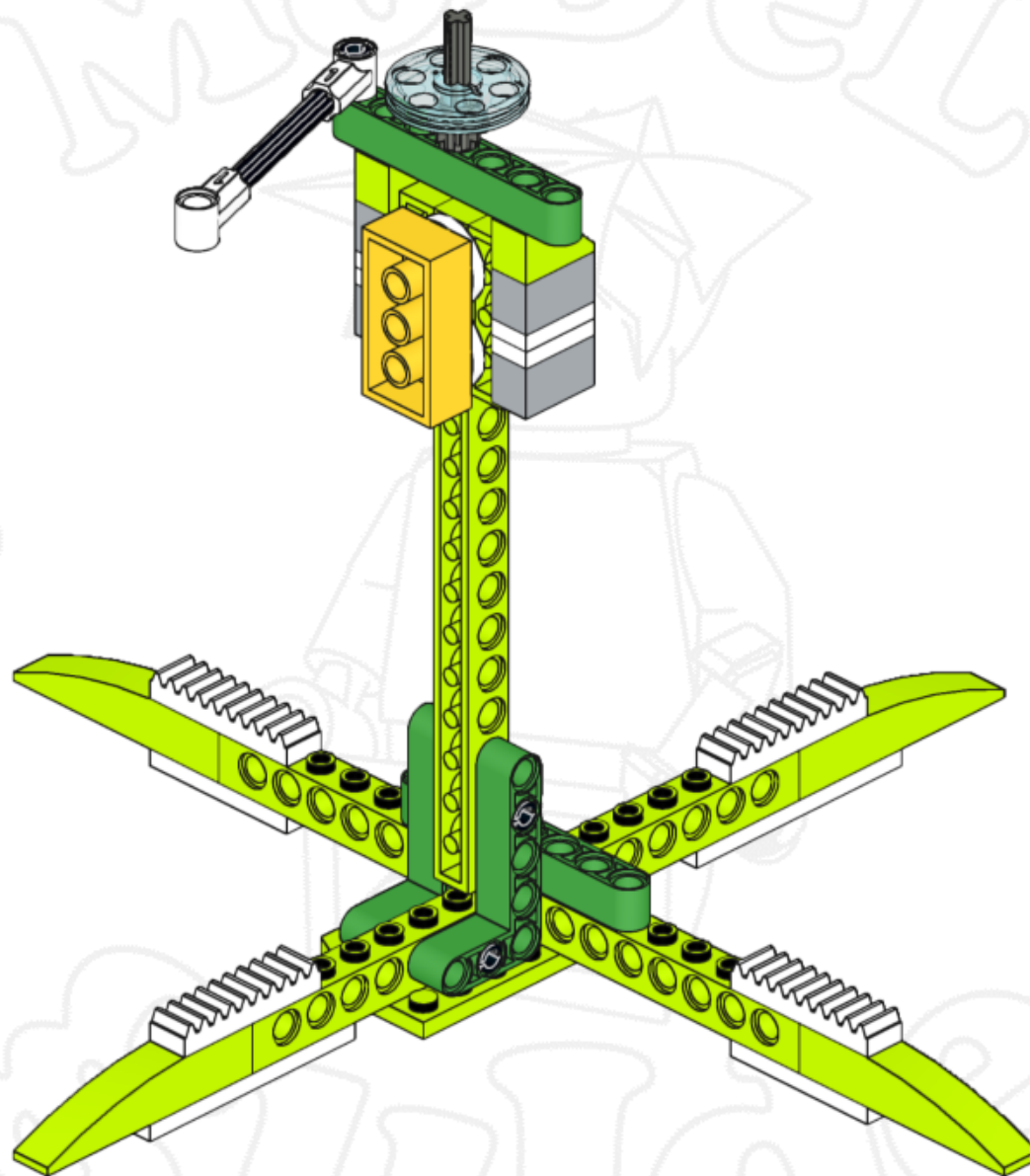
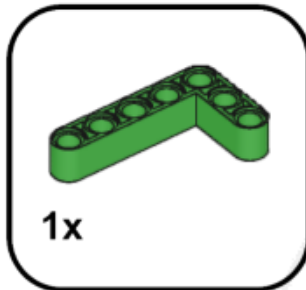
57



58

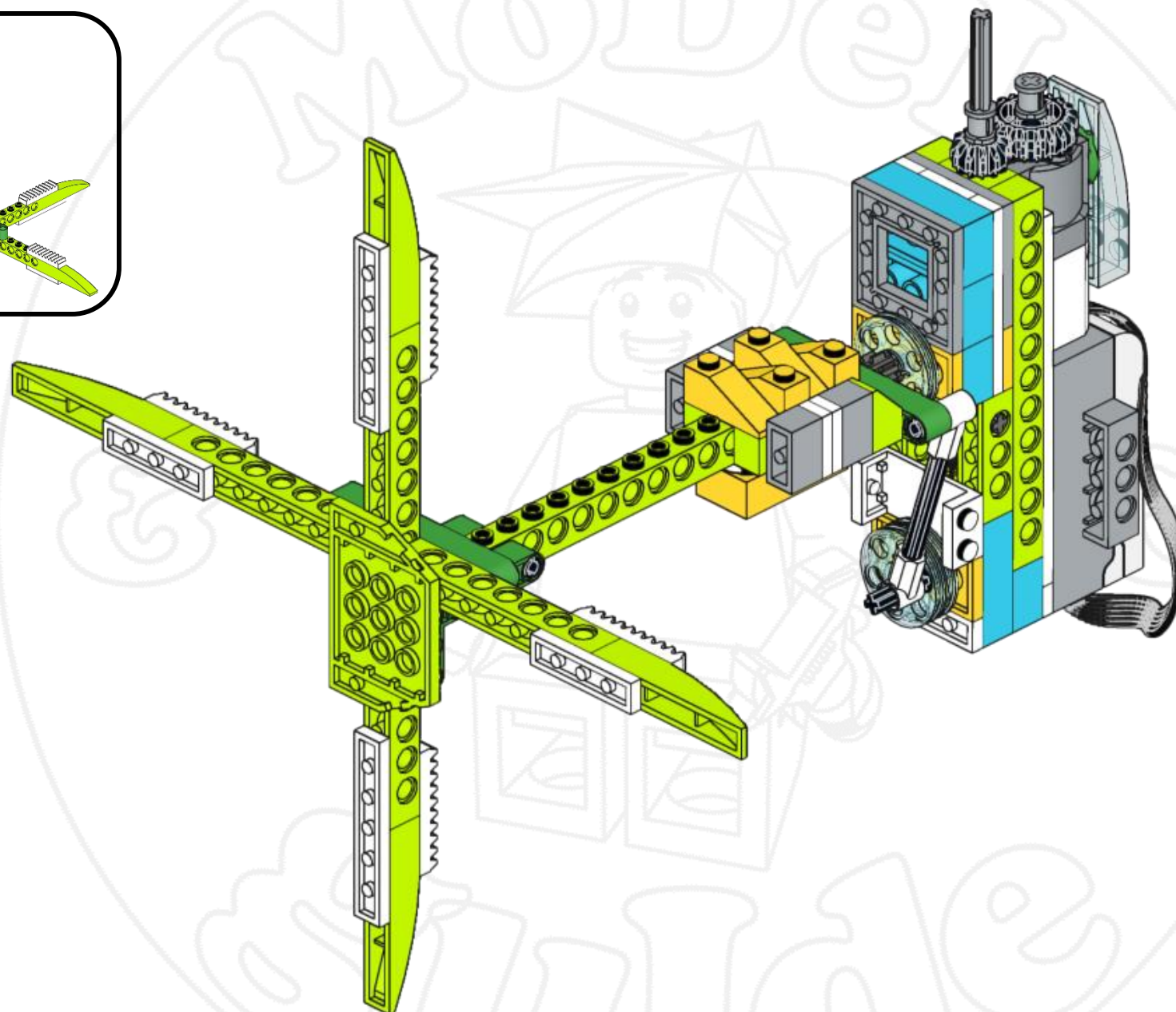
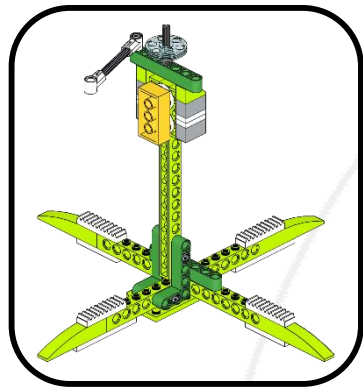


59

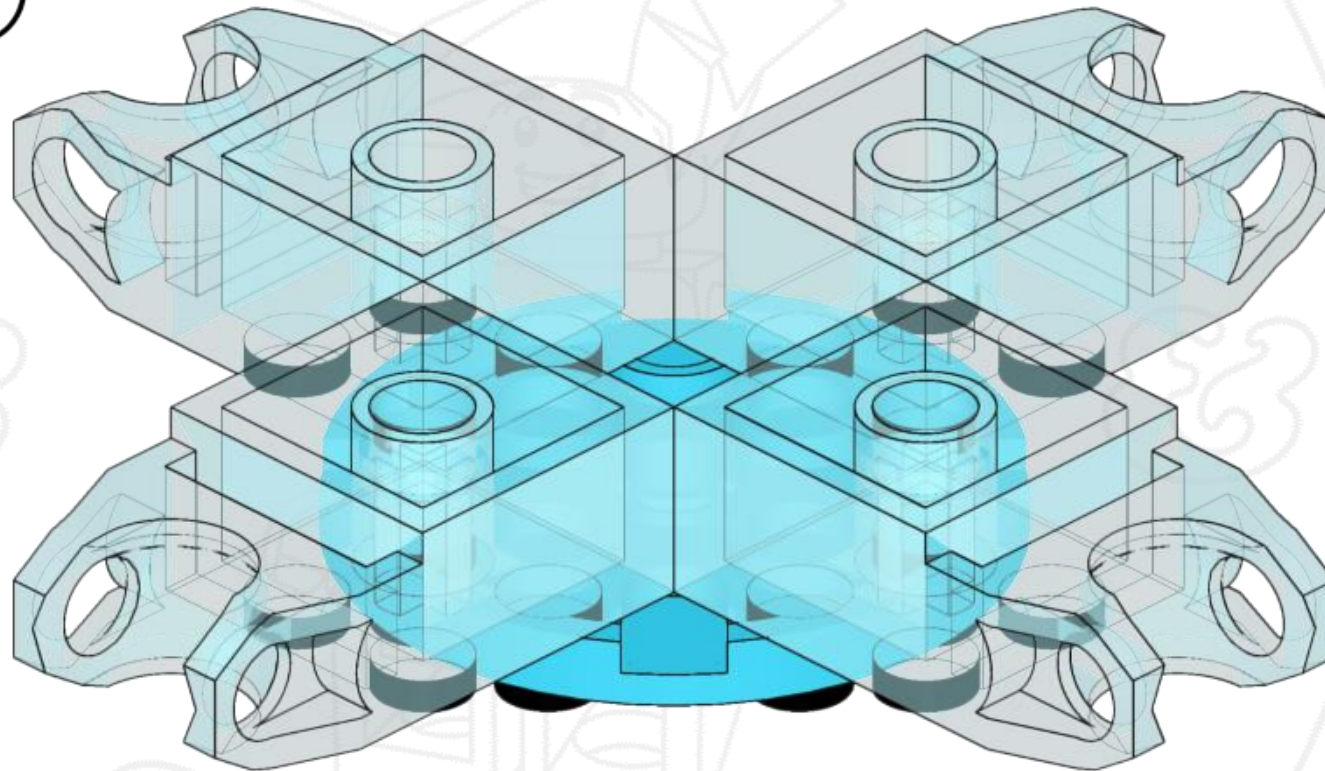
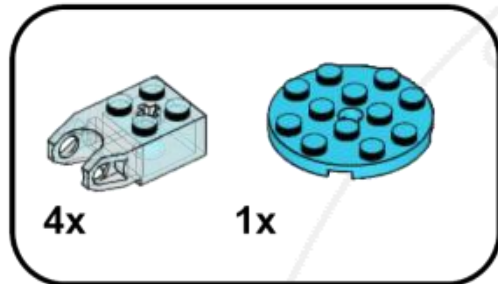




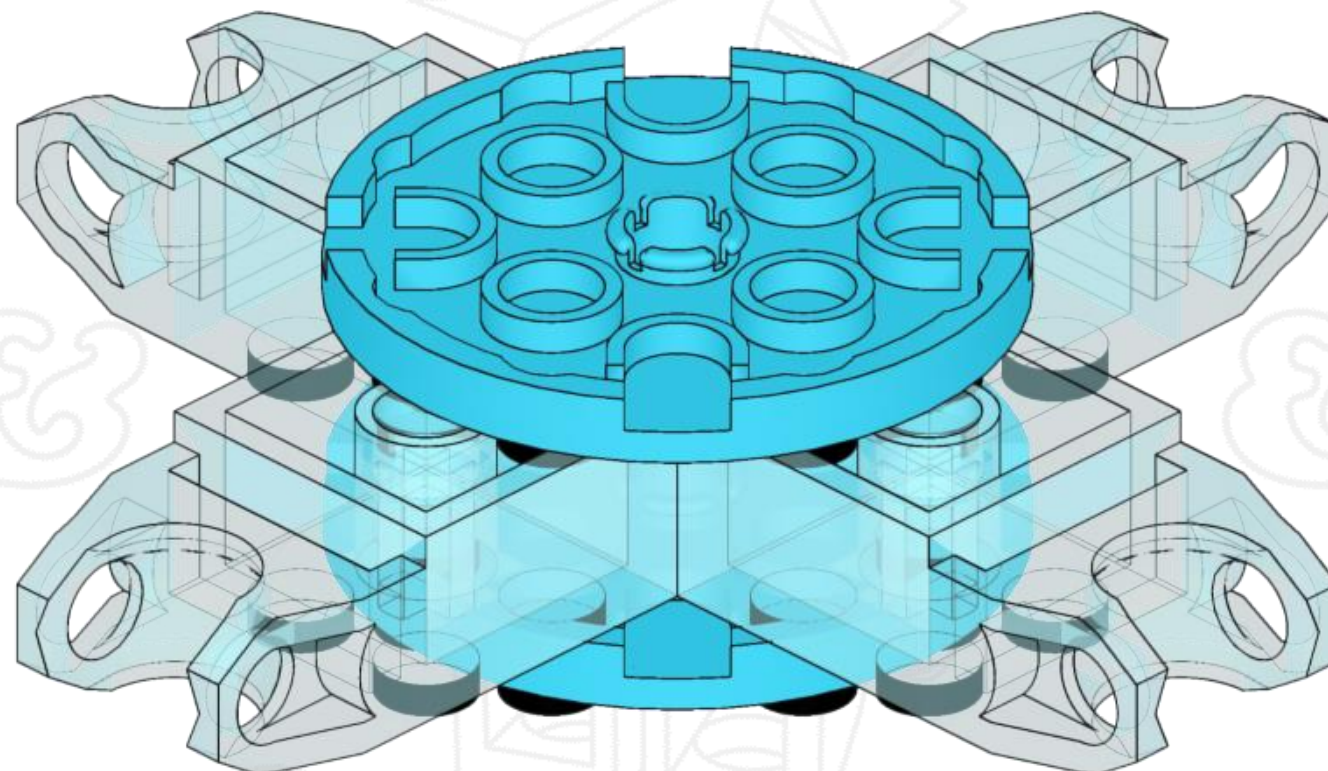
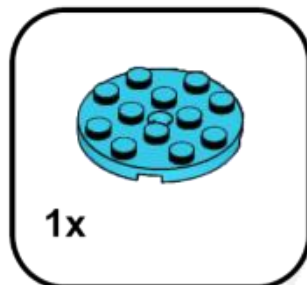
60



61

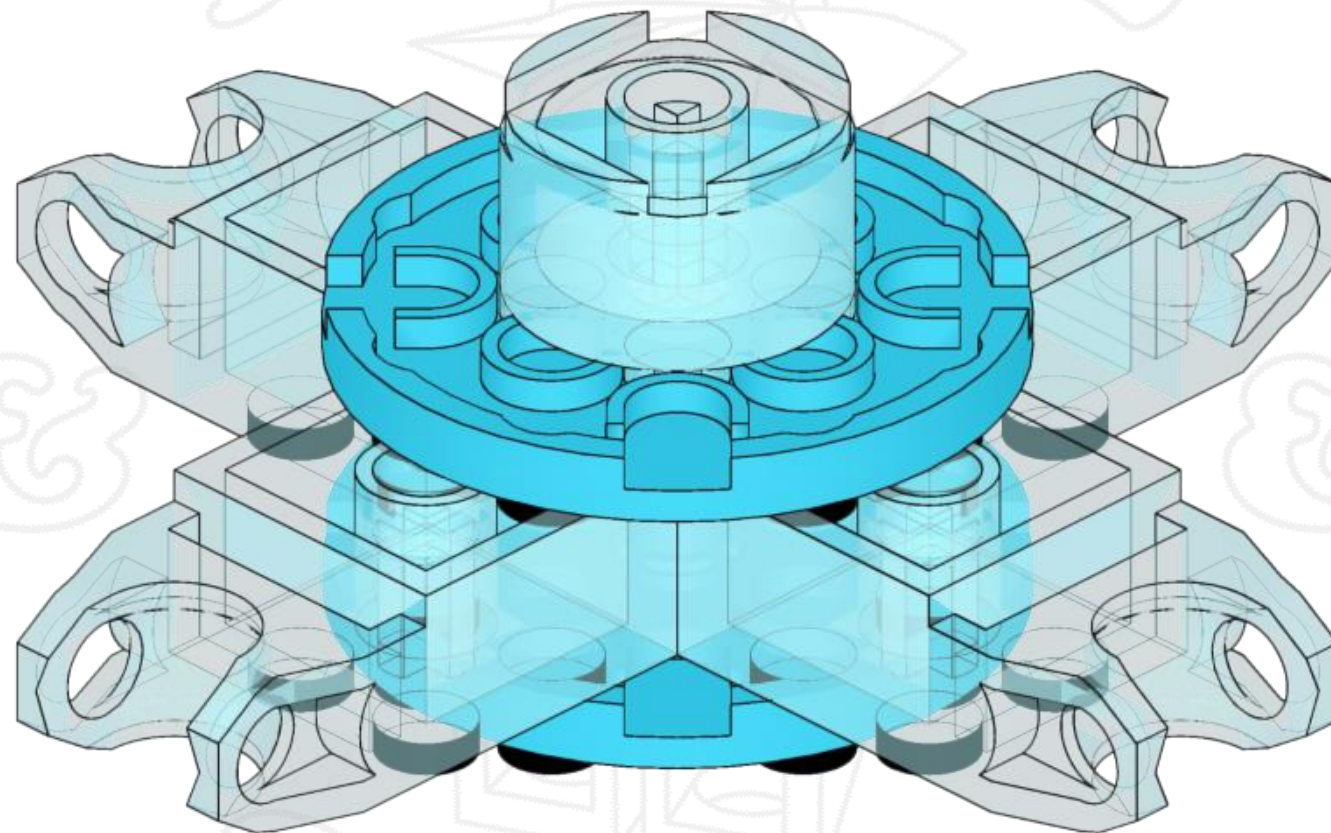


62

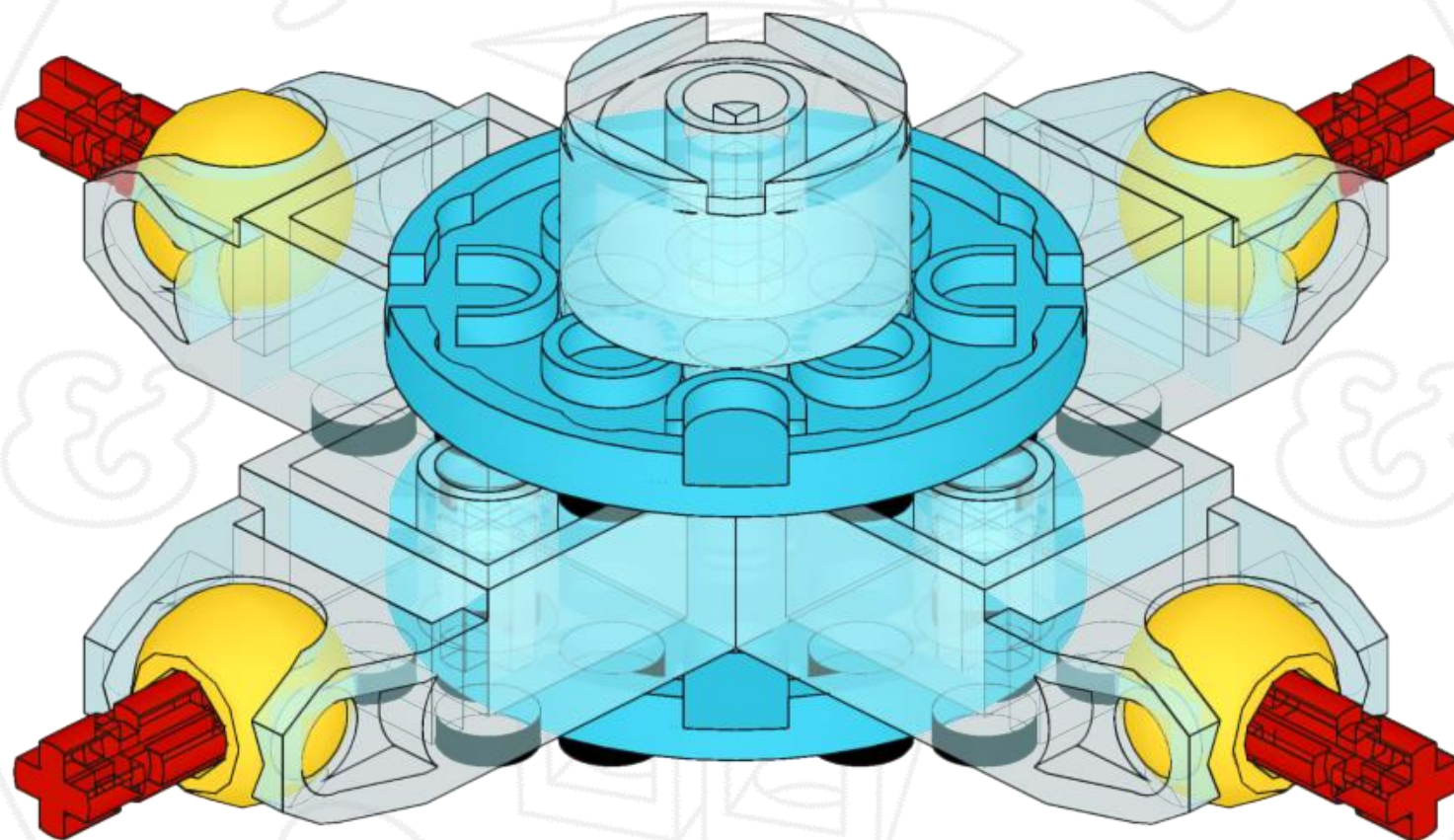
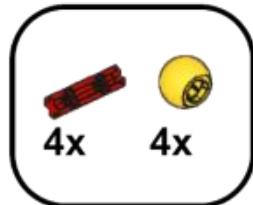




63

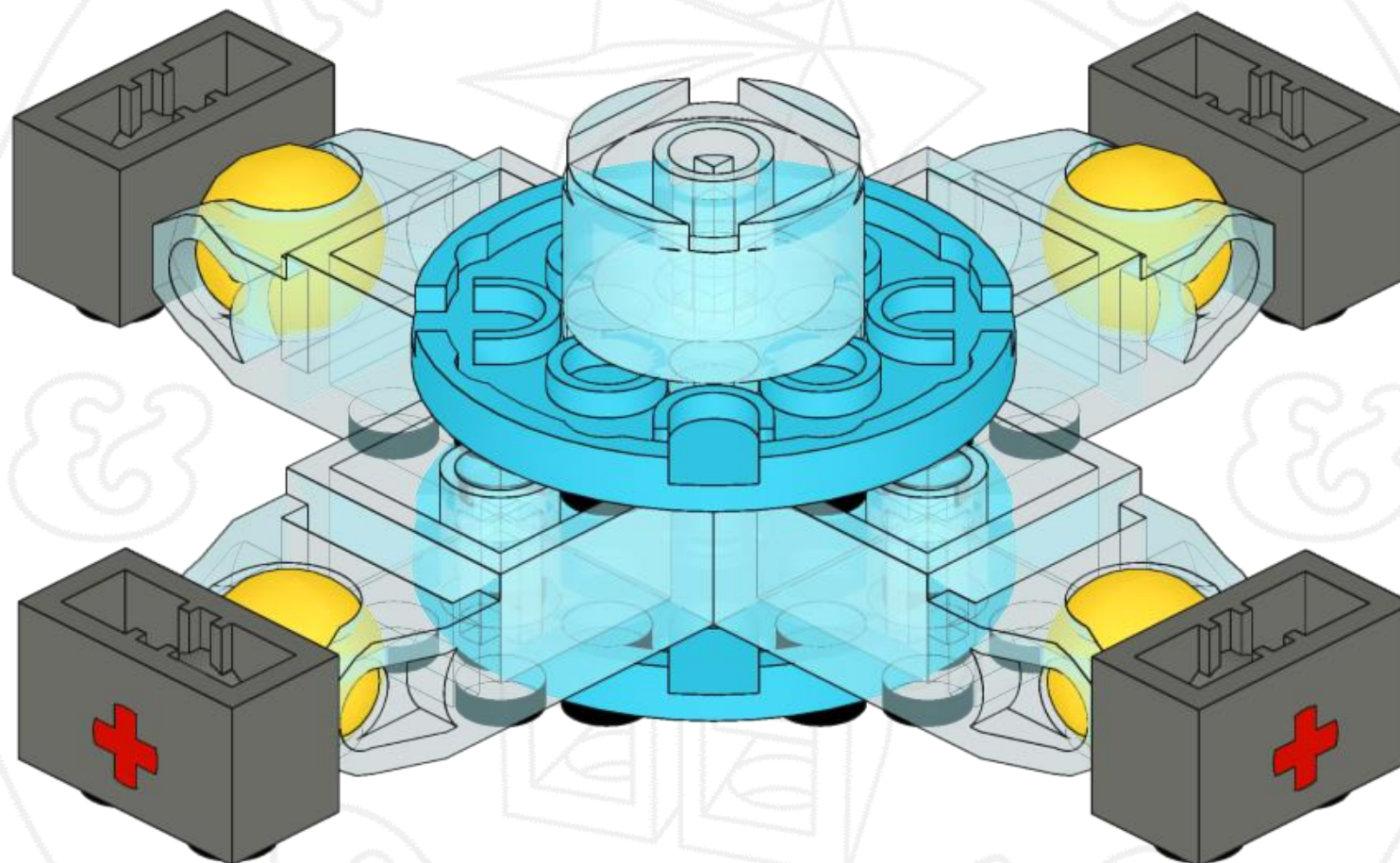
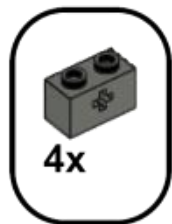


64



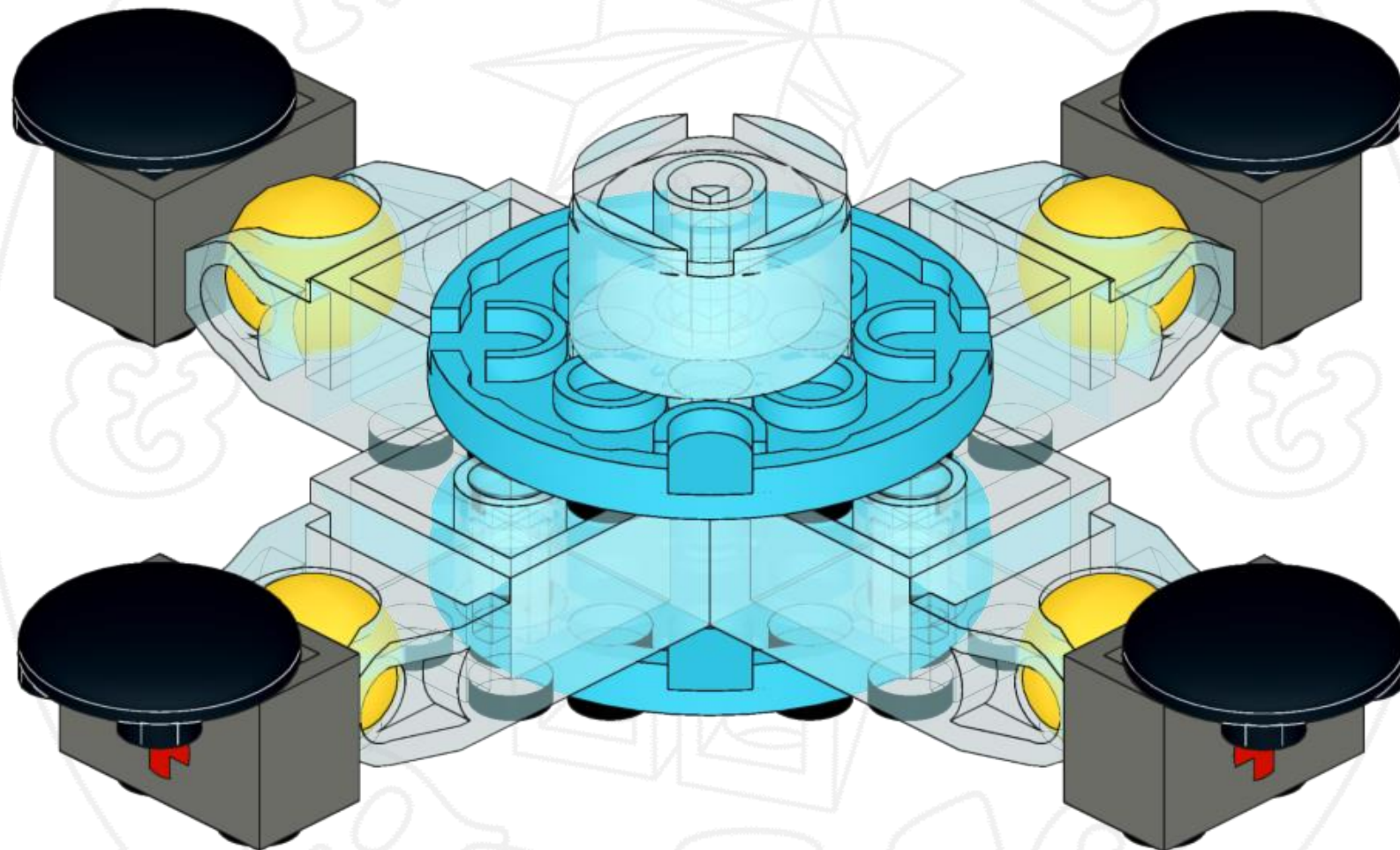


65

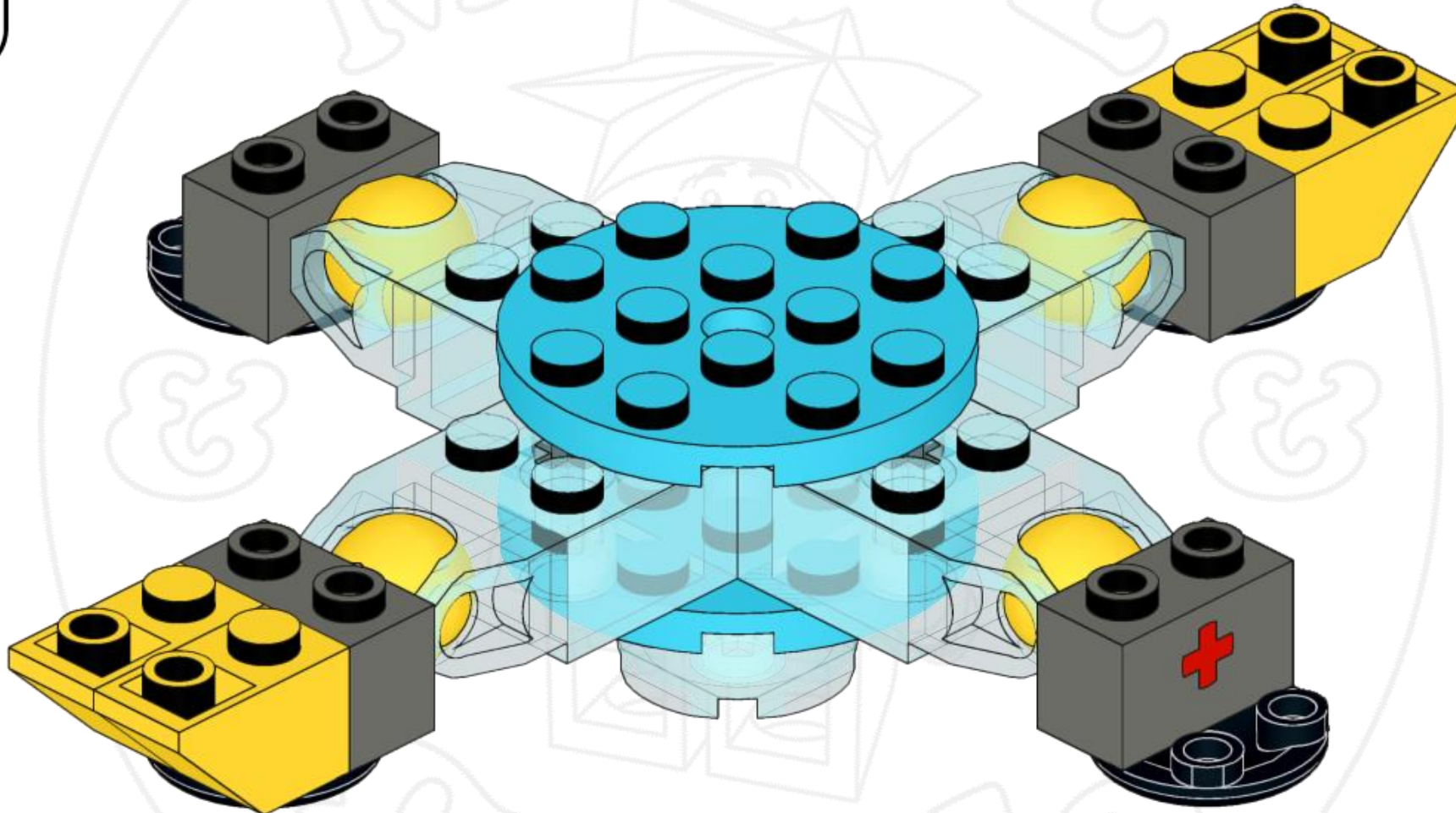




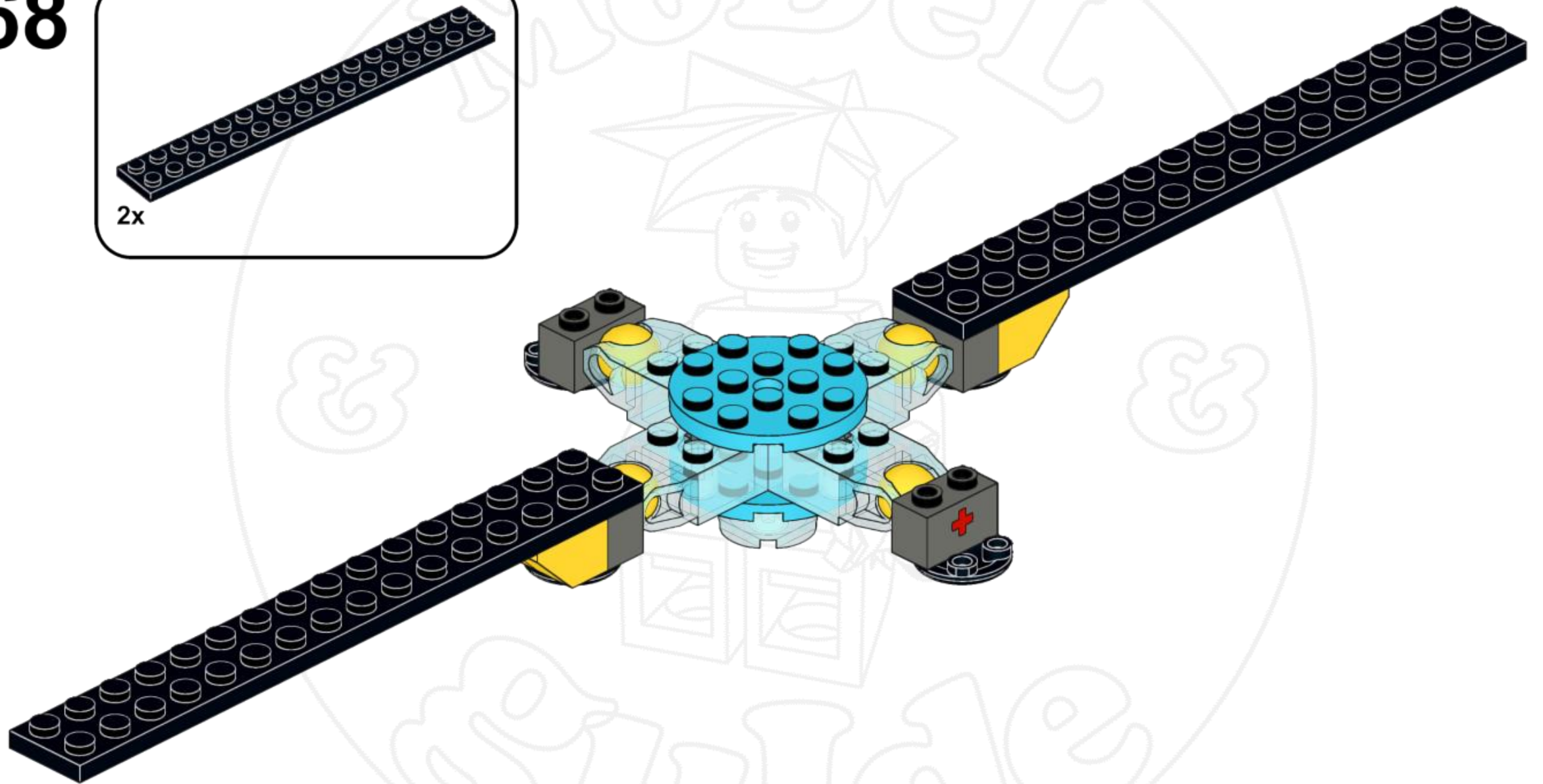
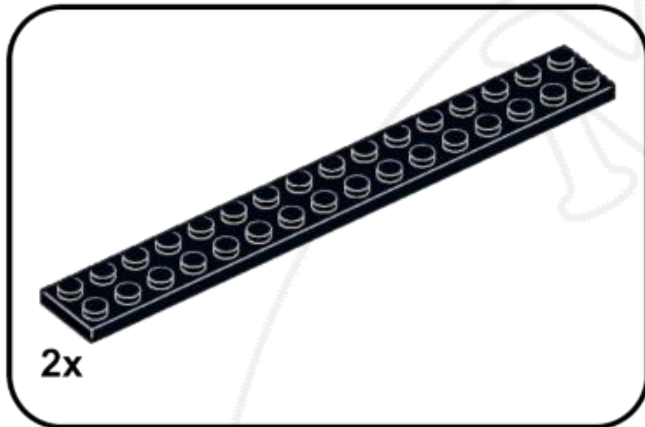
66



67

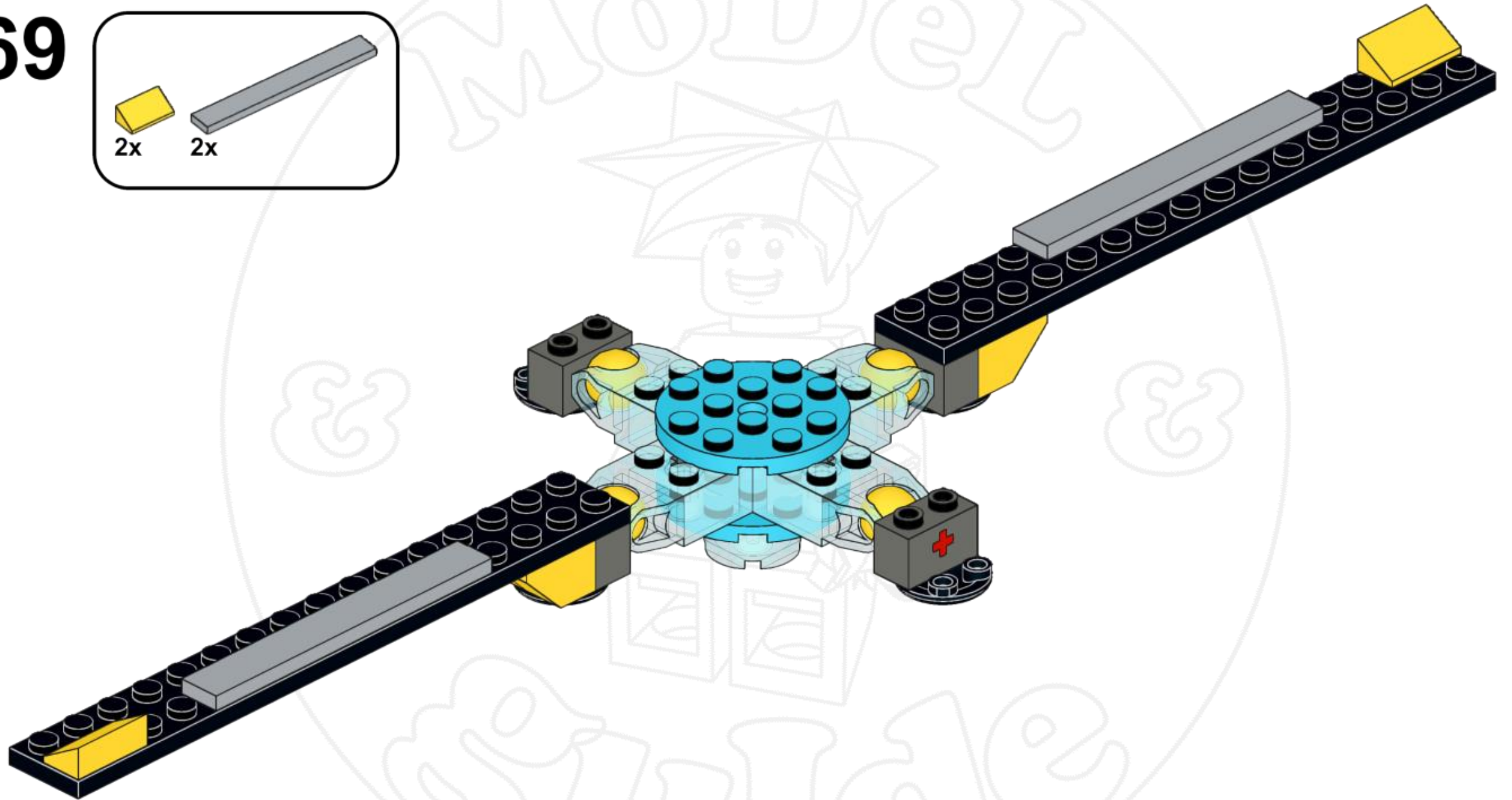
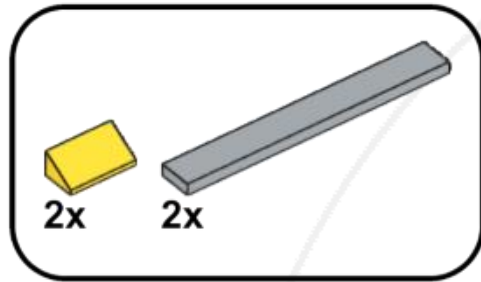


68

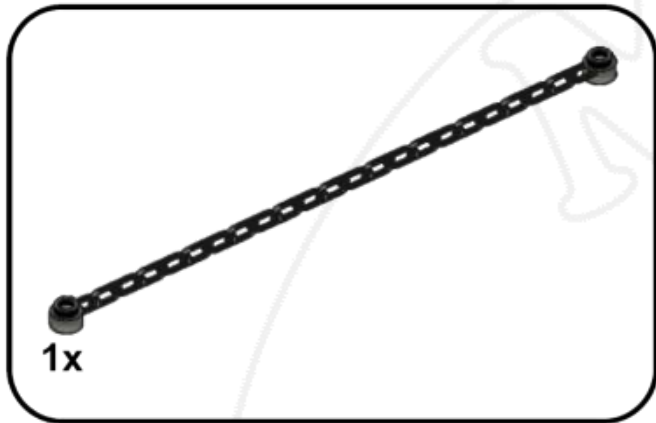




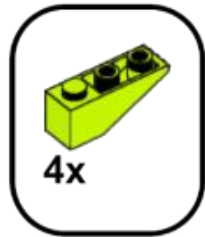
69



70

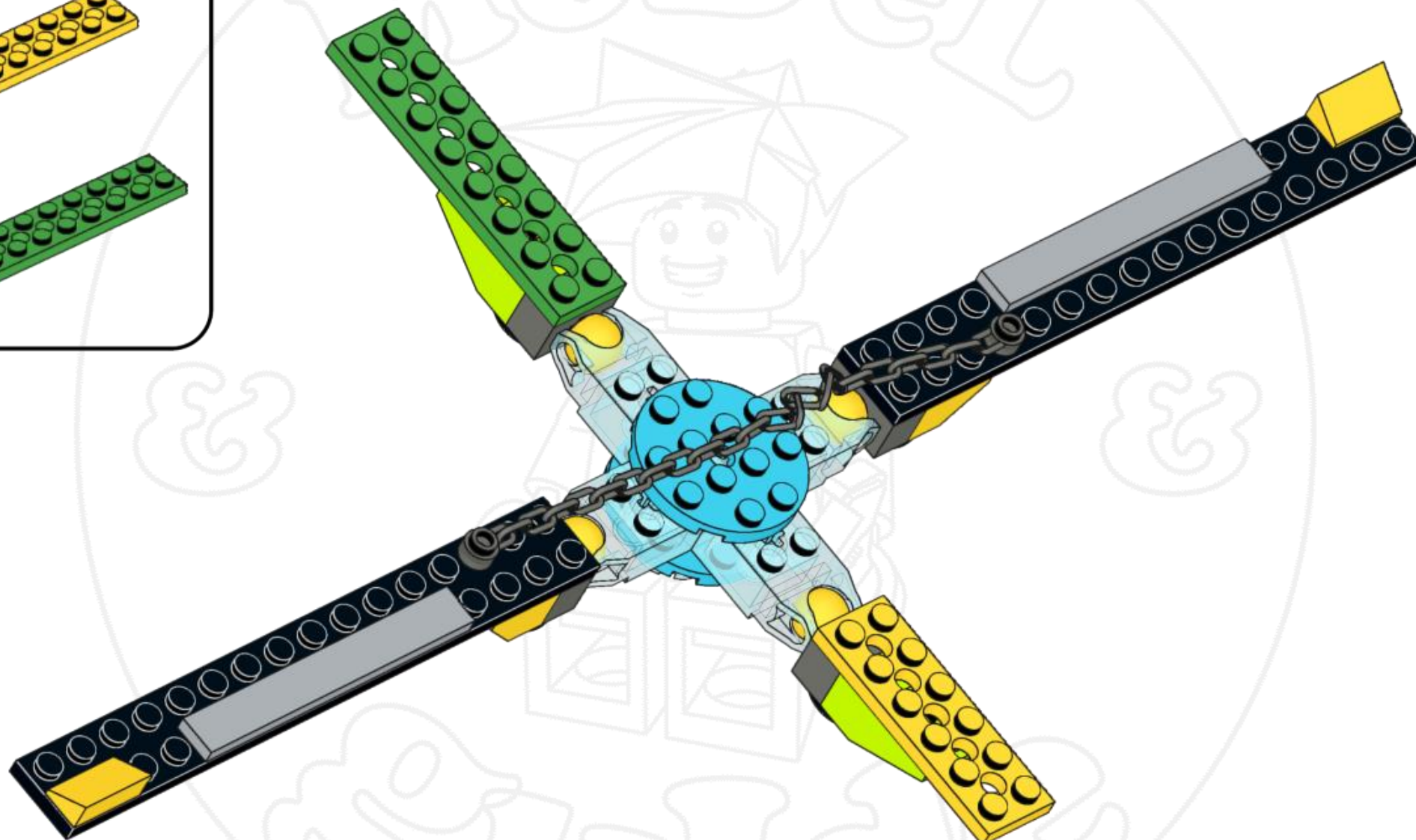
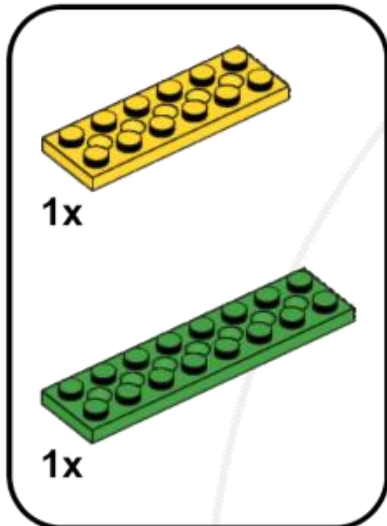


71

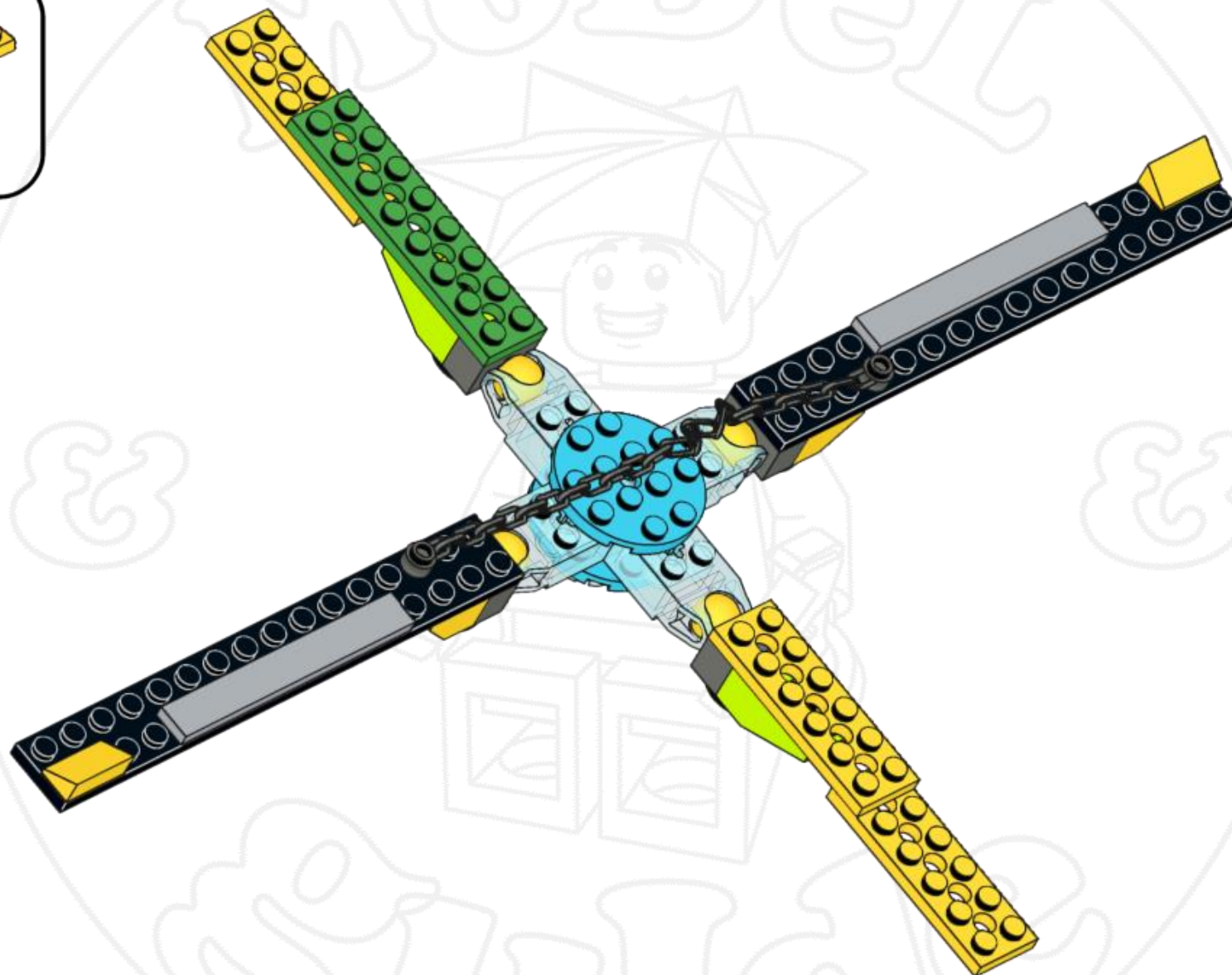
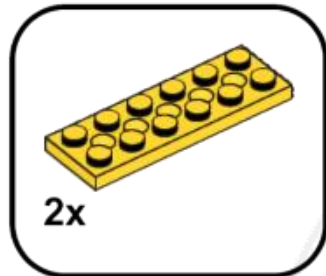




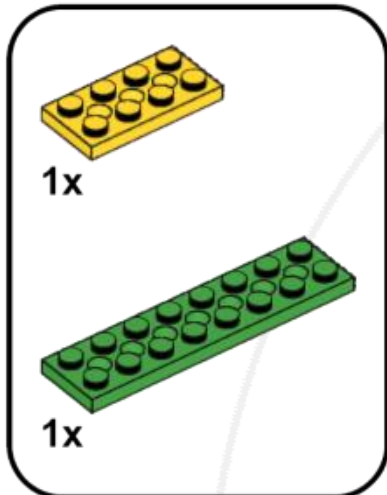
72



73

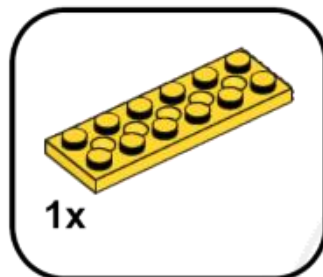


74

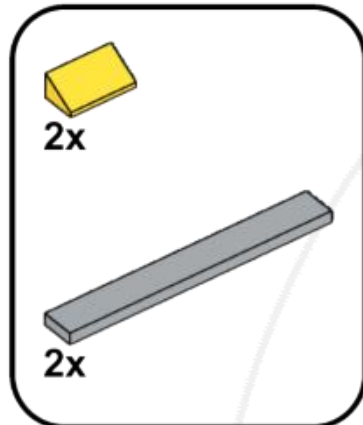




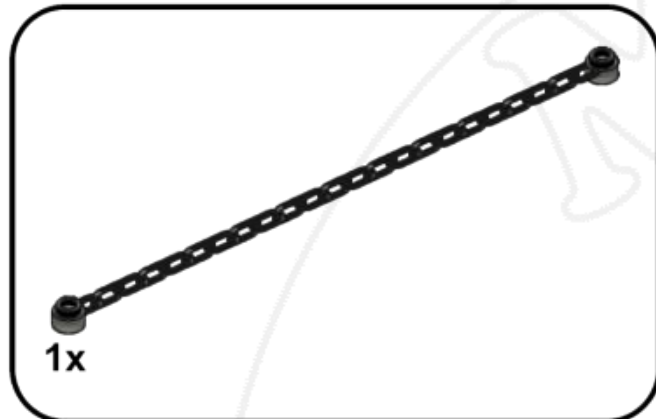
75



76

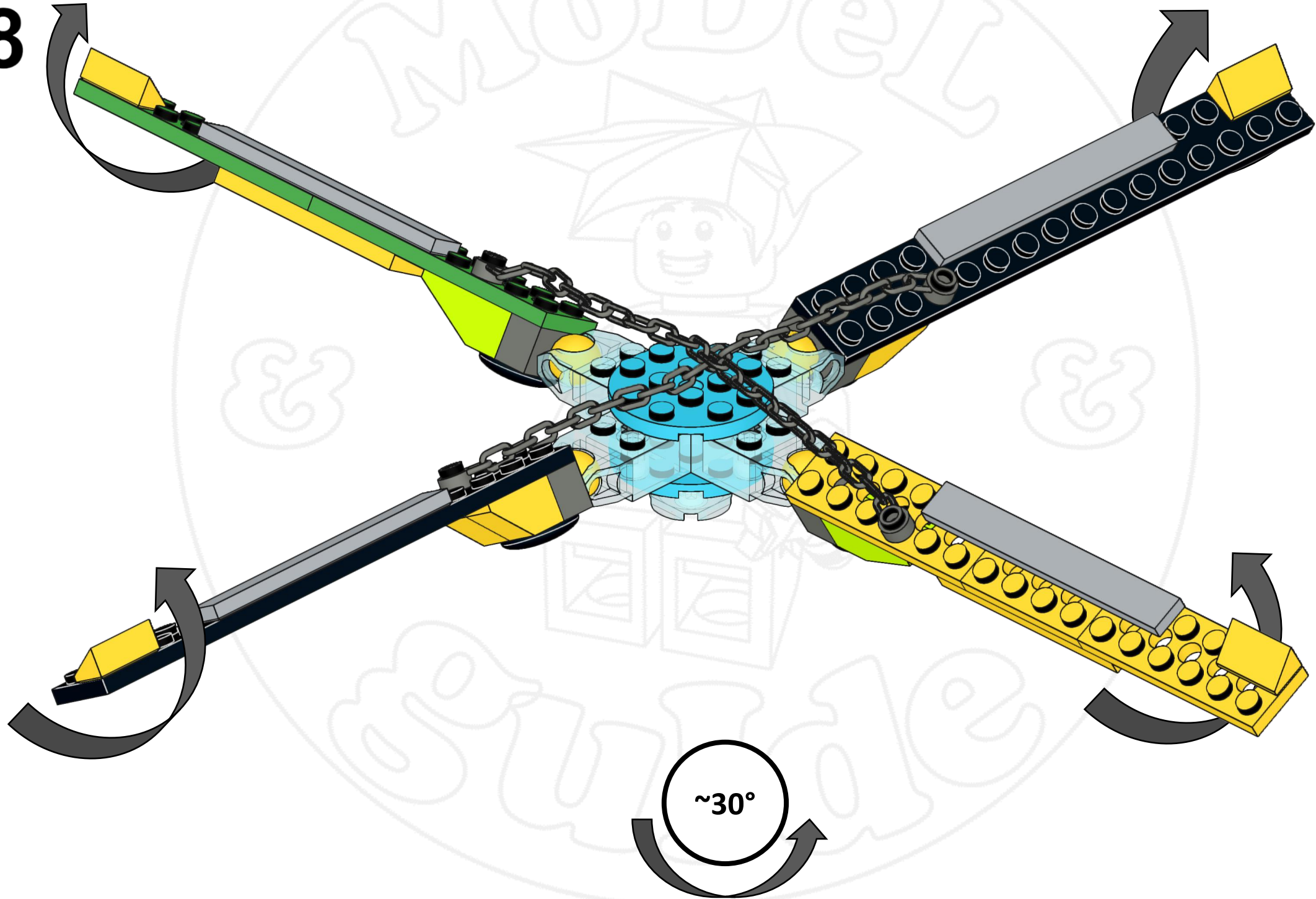


77

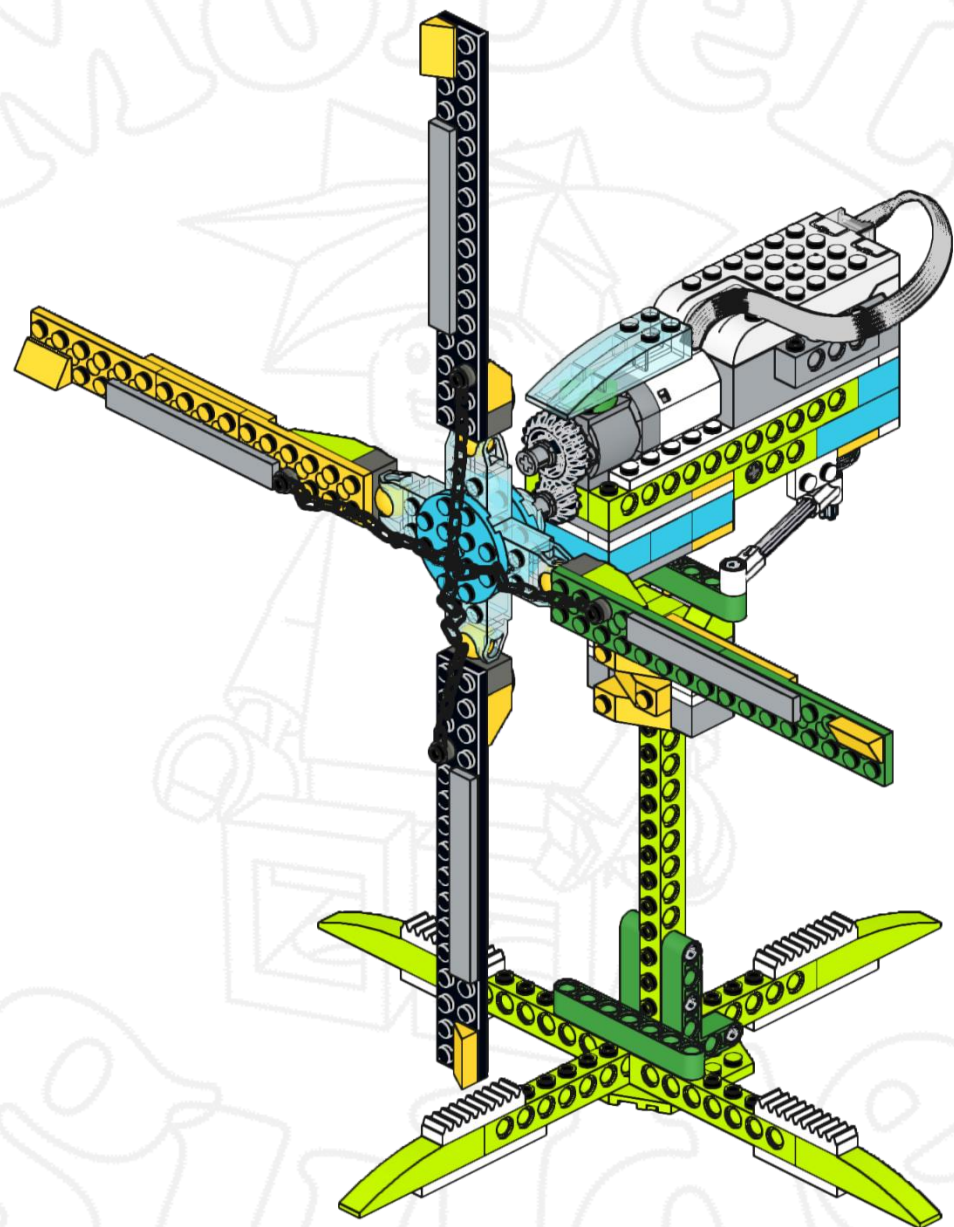
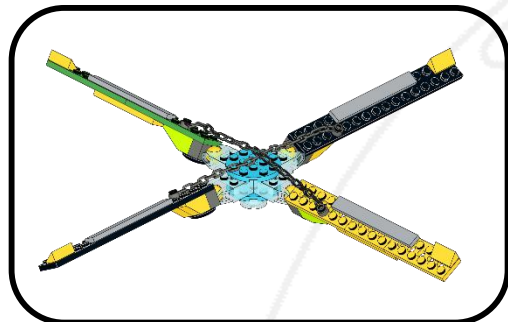




78



79



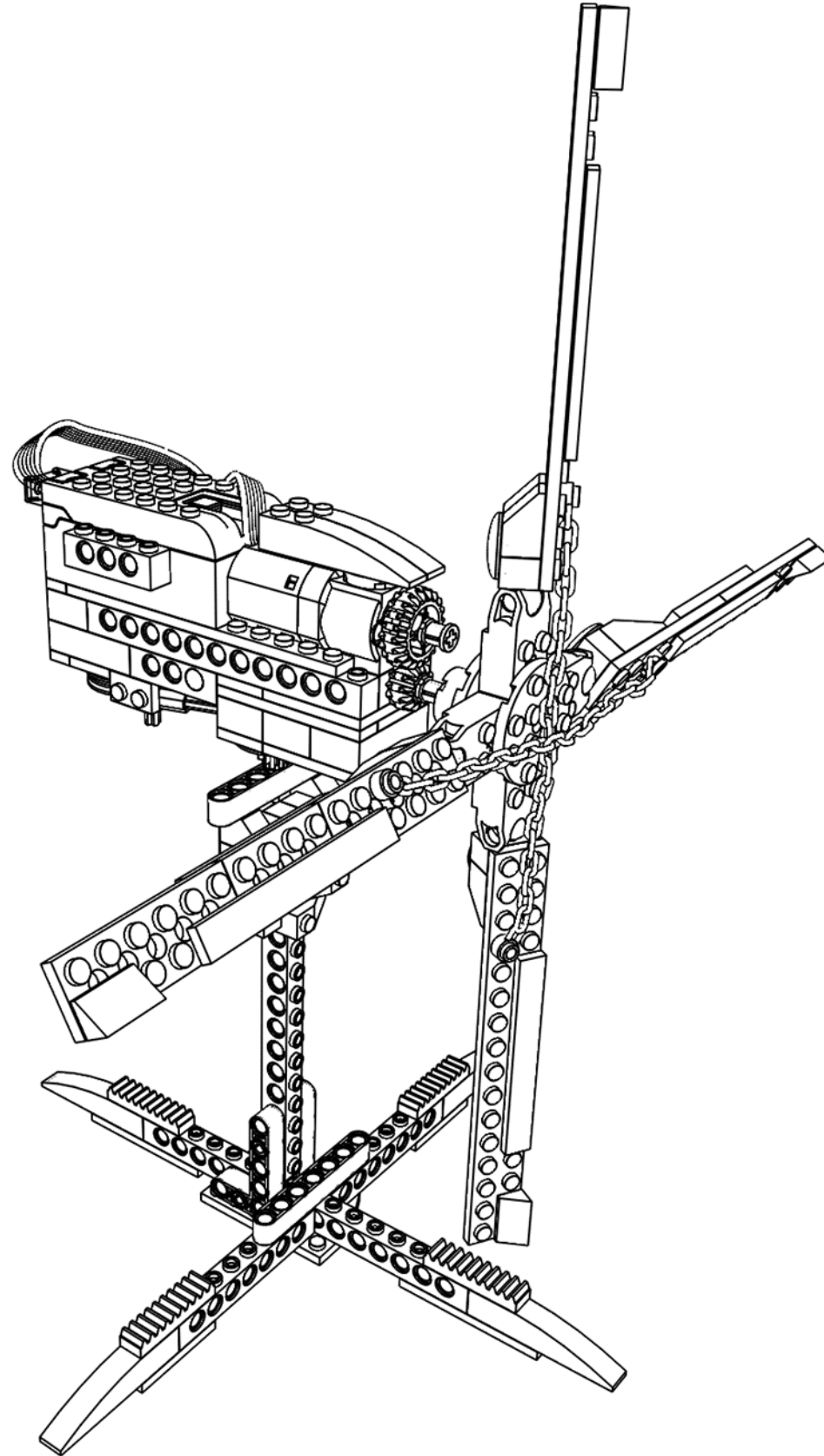
Model



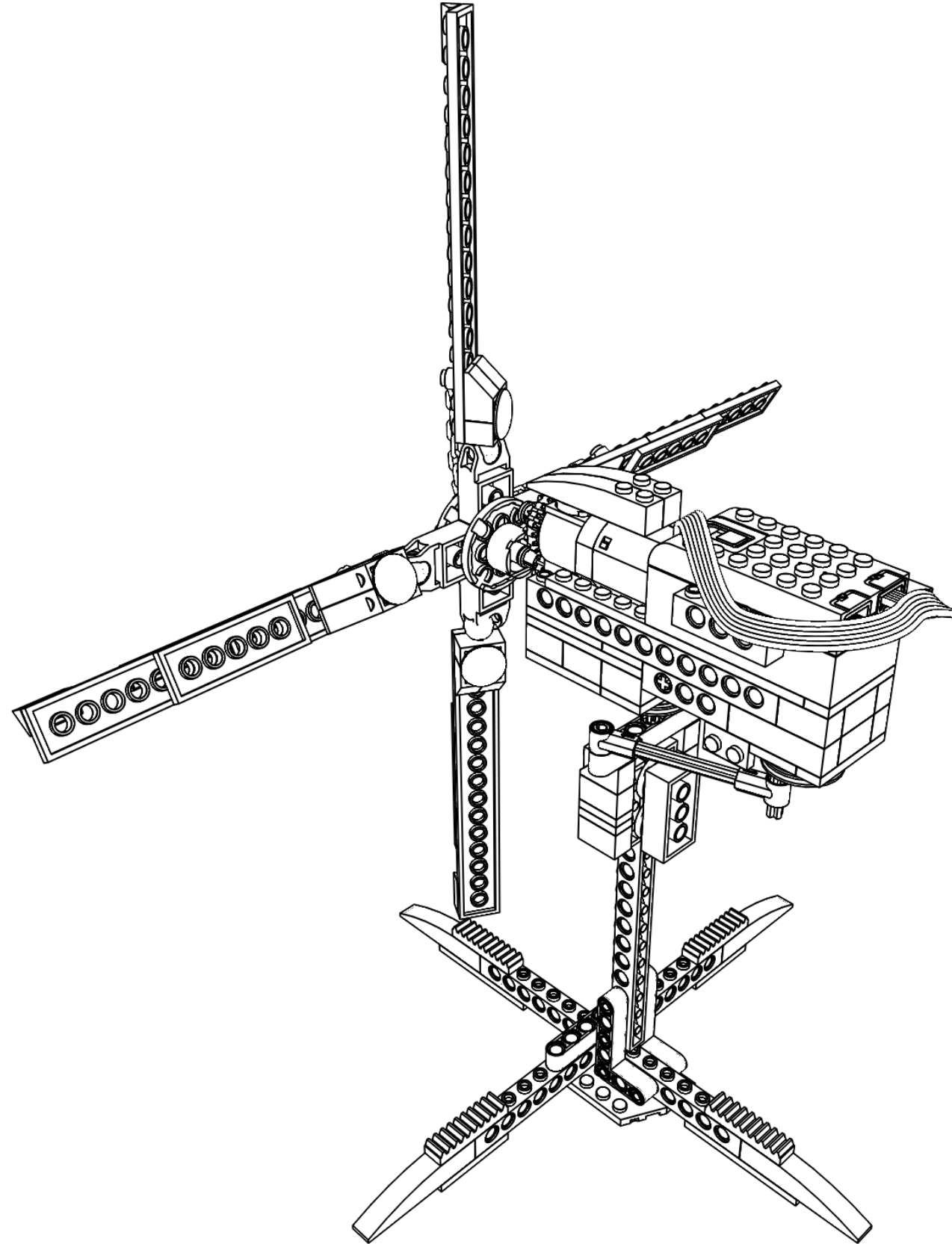
Swiide



Now, color it as you like!



Now, color it as you like!



Now, color it as you like!

