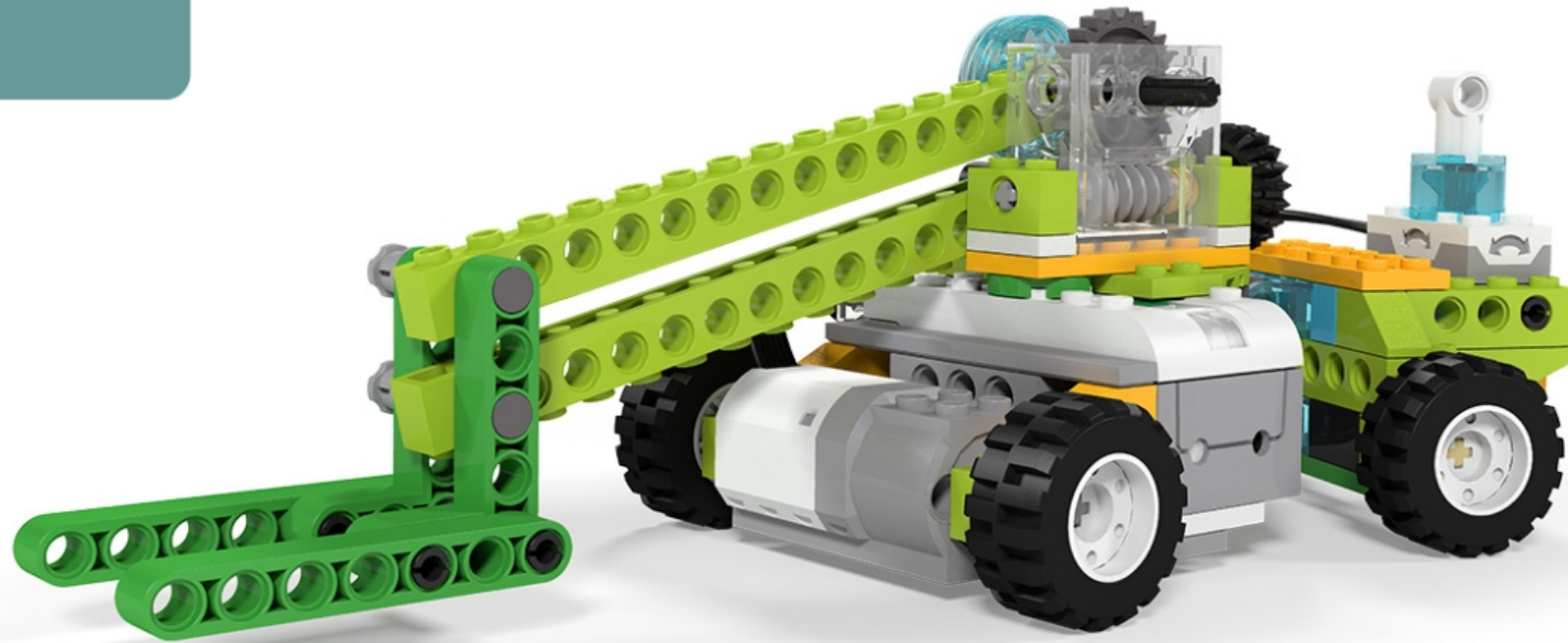




Build the robot!

ROBORISE-IT!
ROBOTIC EDUCATION

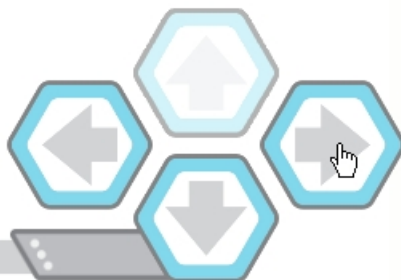
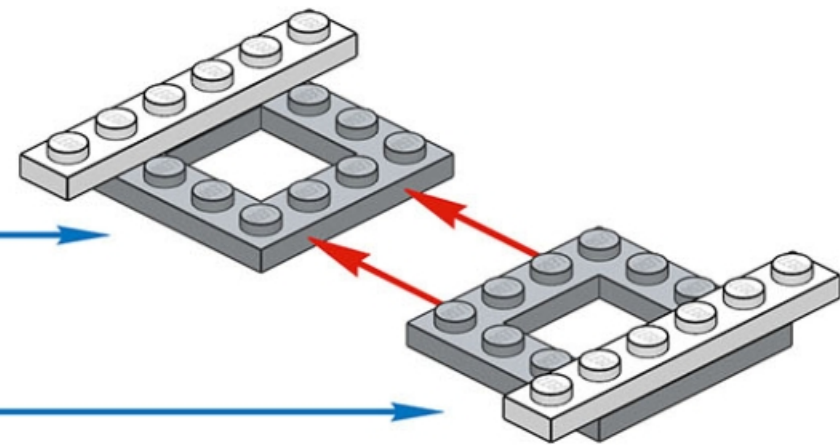


1

1x
1x
6

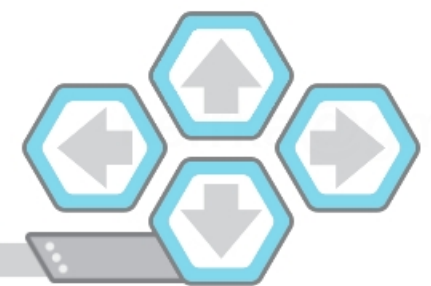
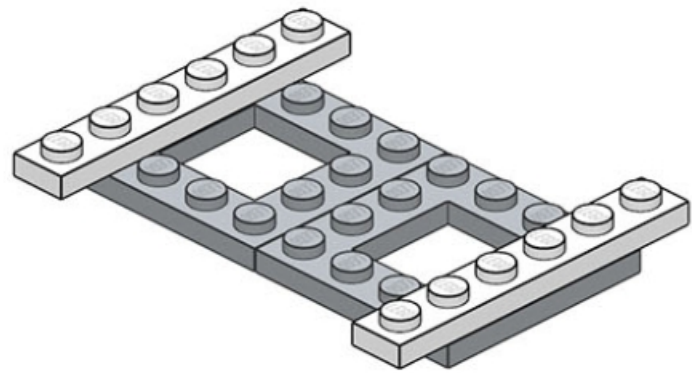
2

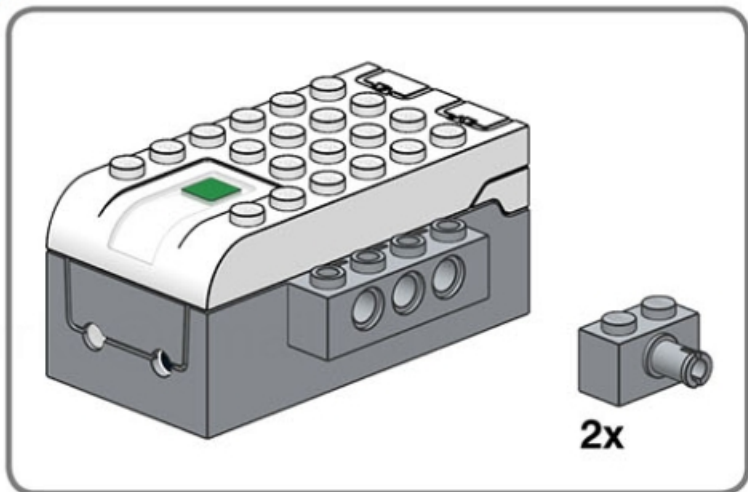
2x



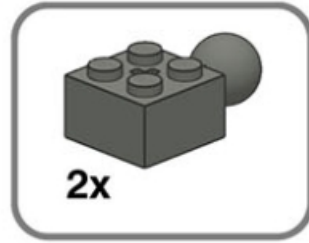
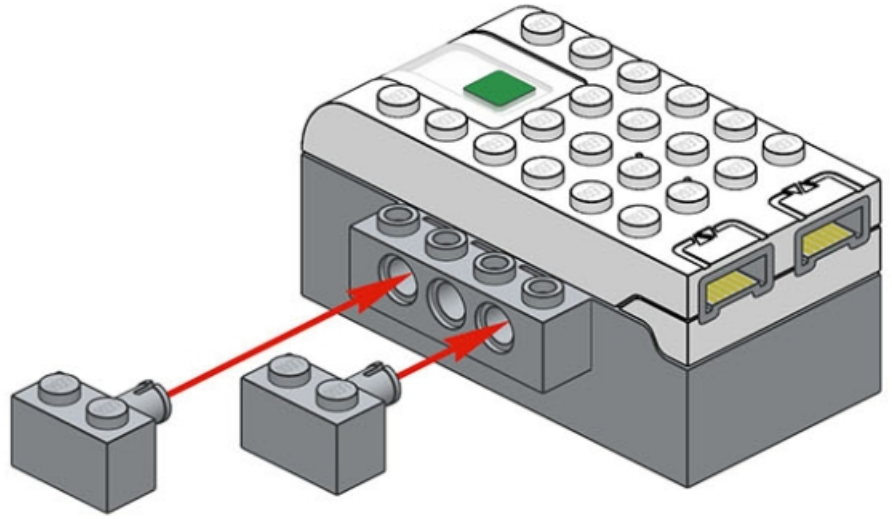


2

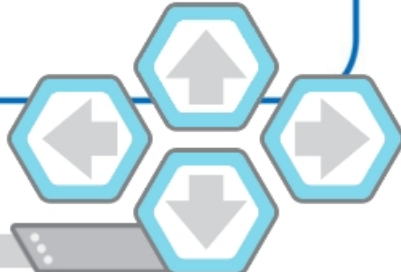
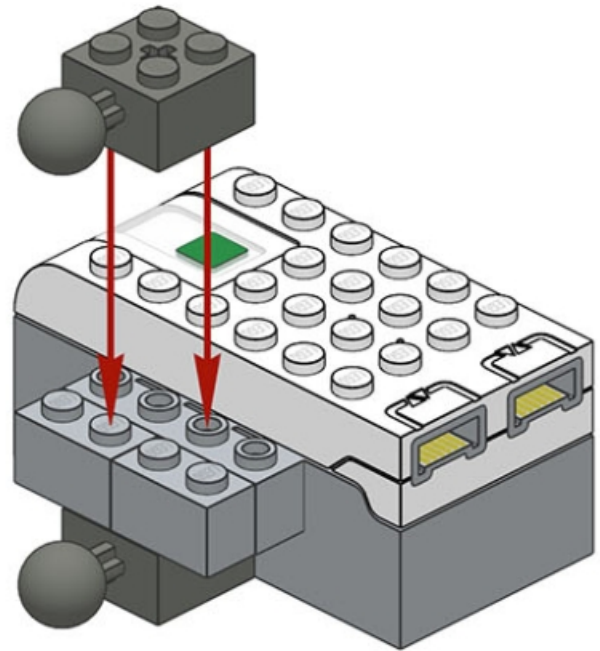




1

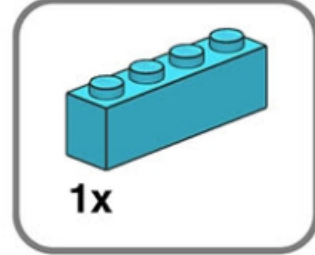
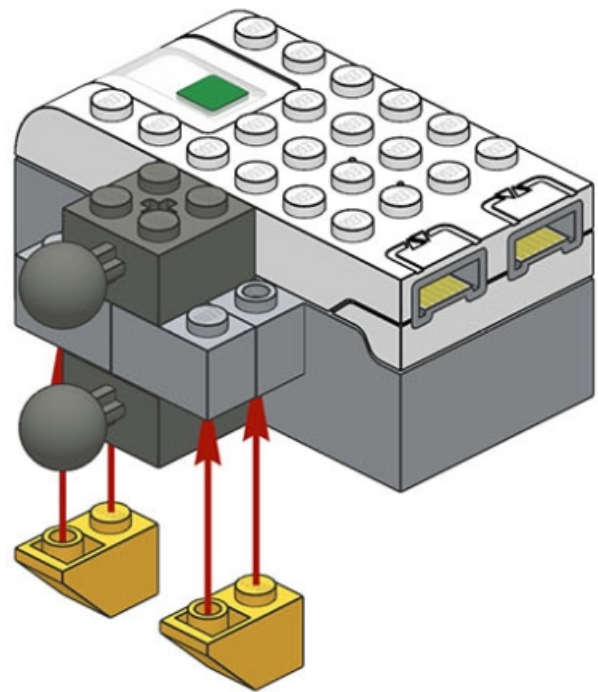


2

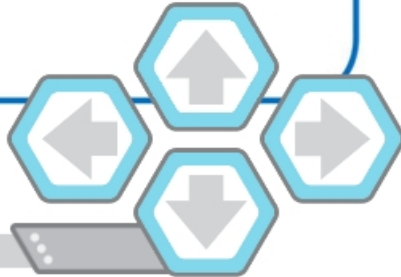
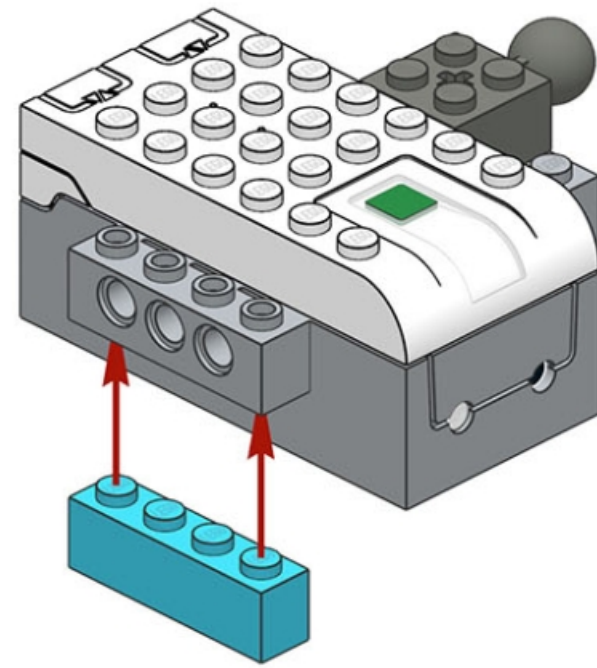


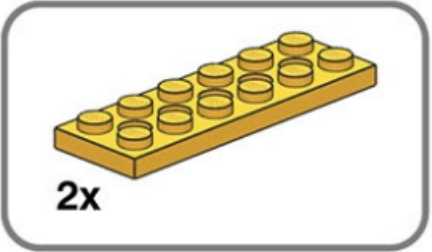


3

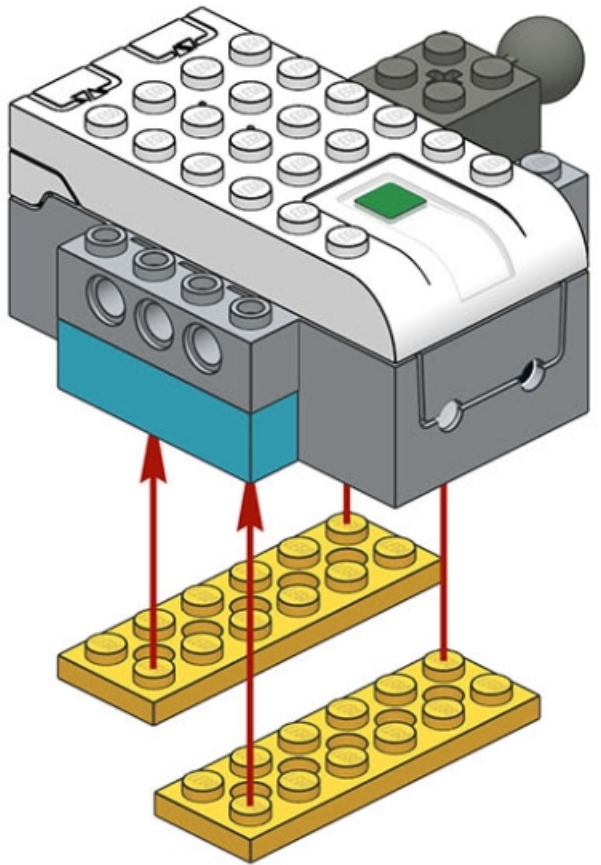


4

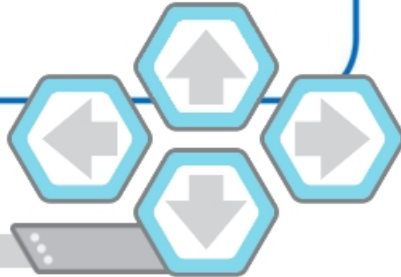
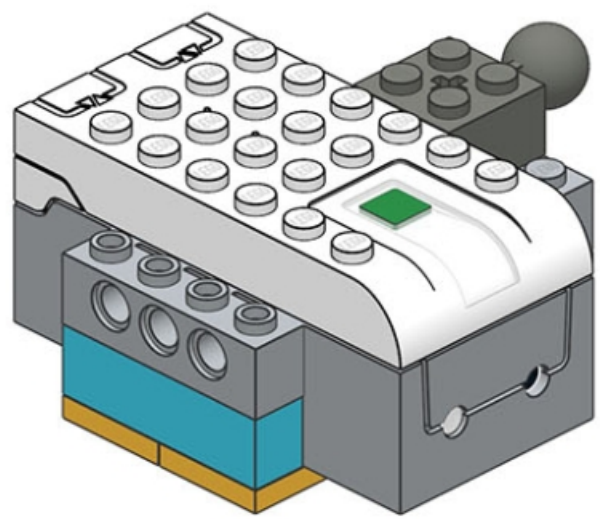




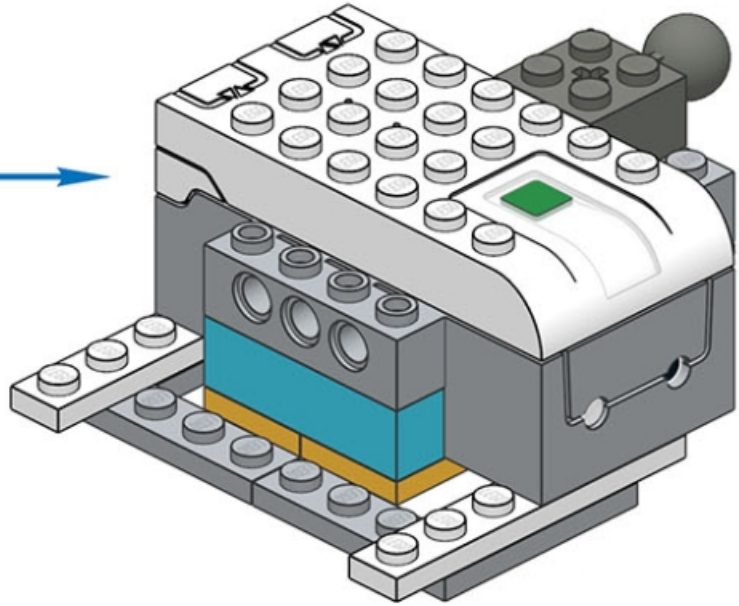
5



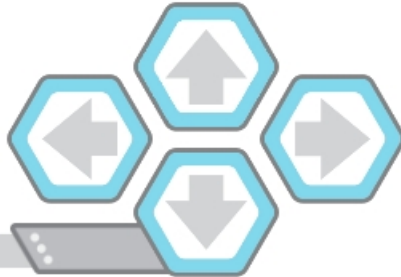
6

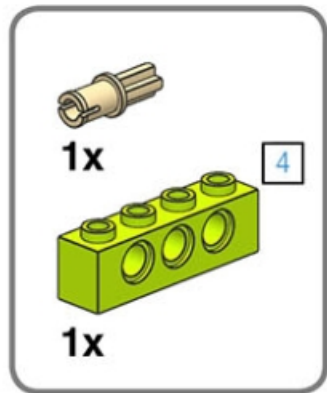


6

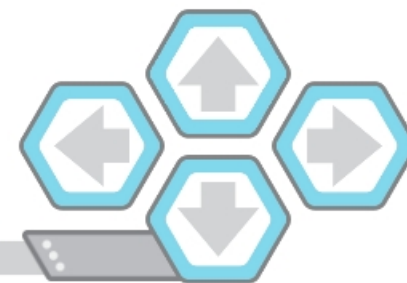
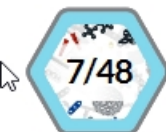
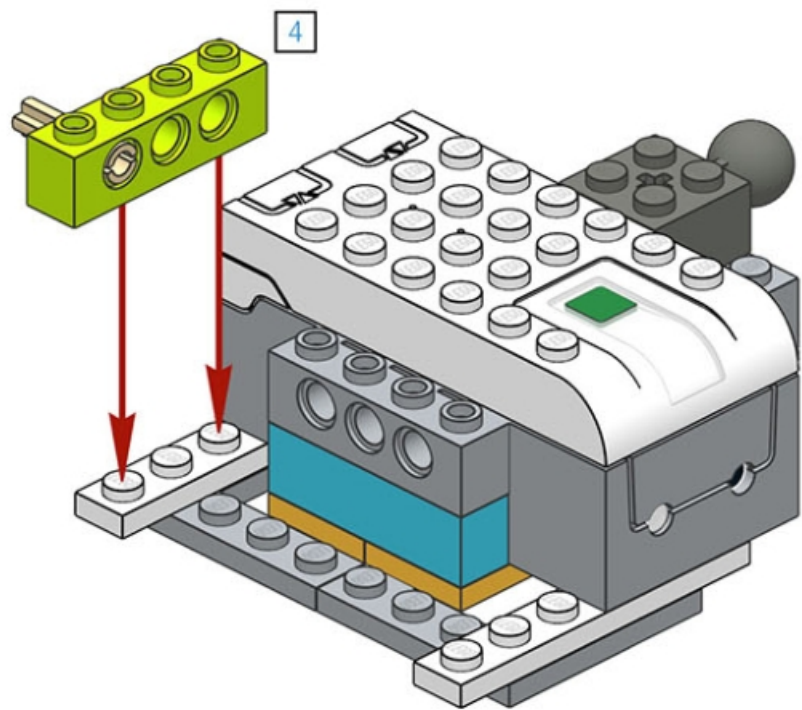


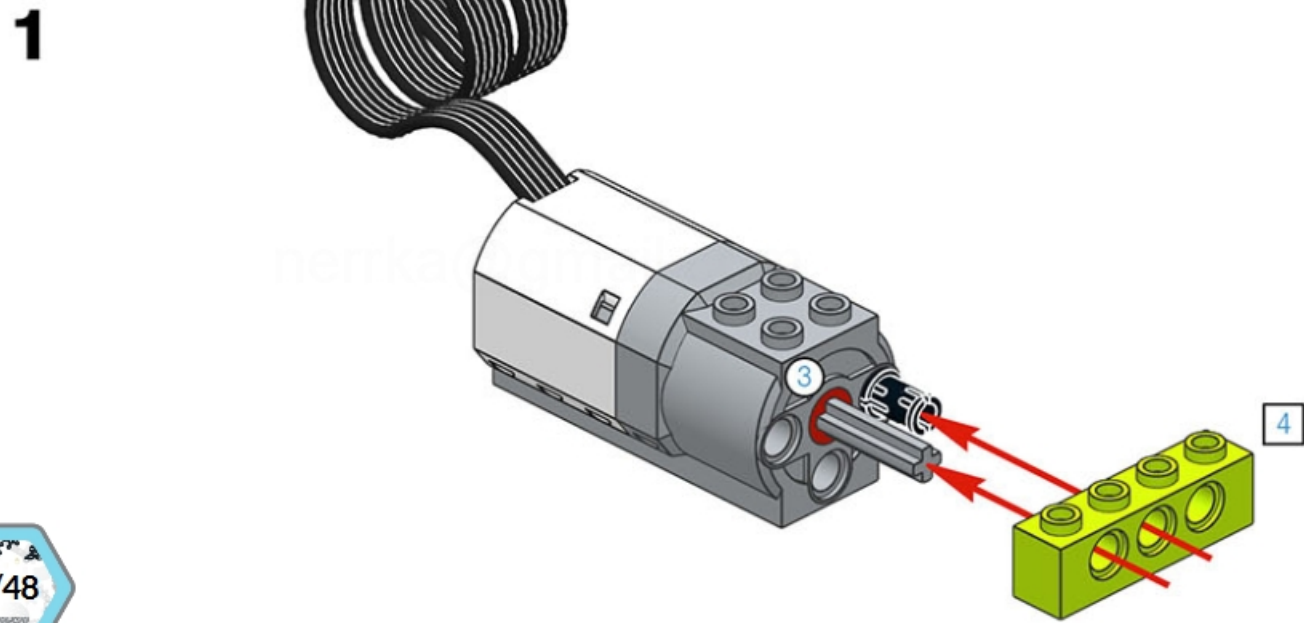
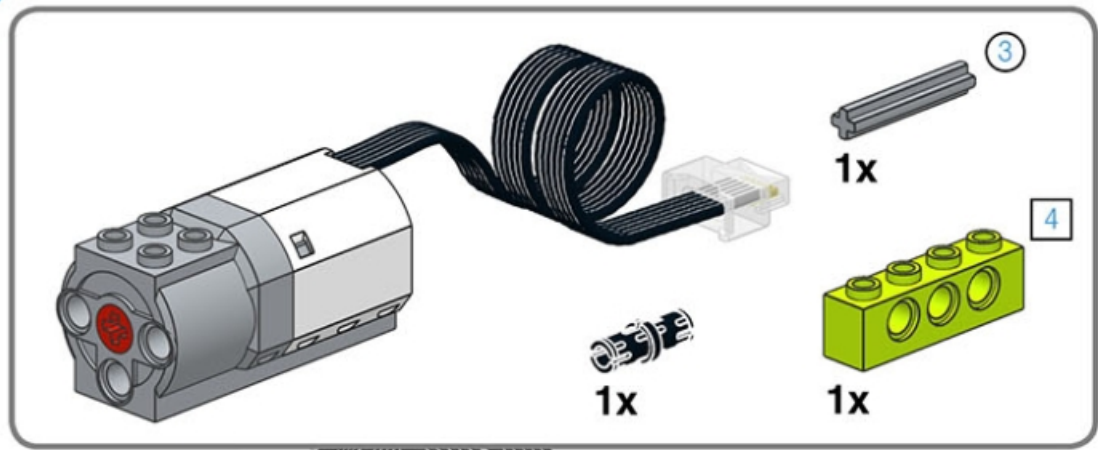
nerrka@gmail.com



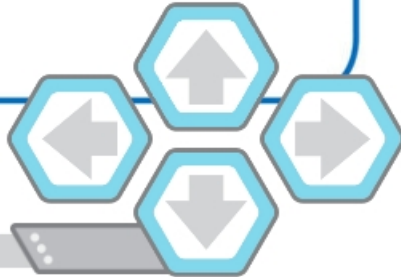
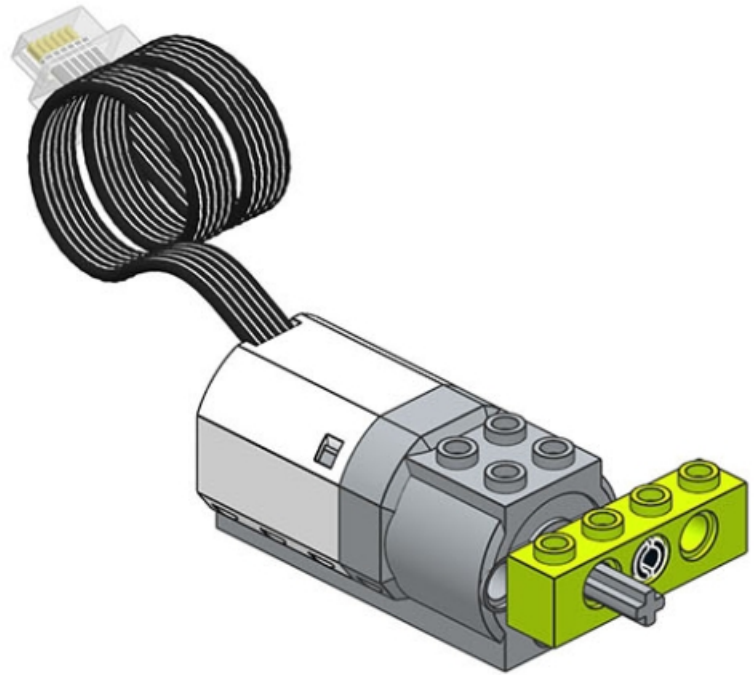


7

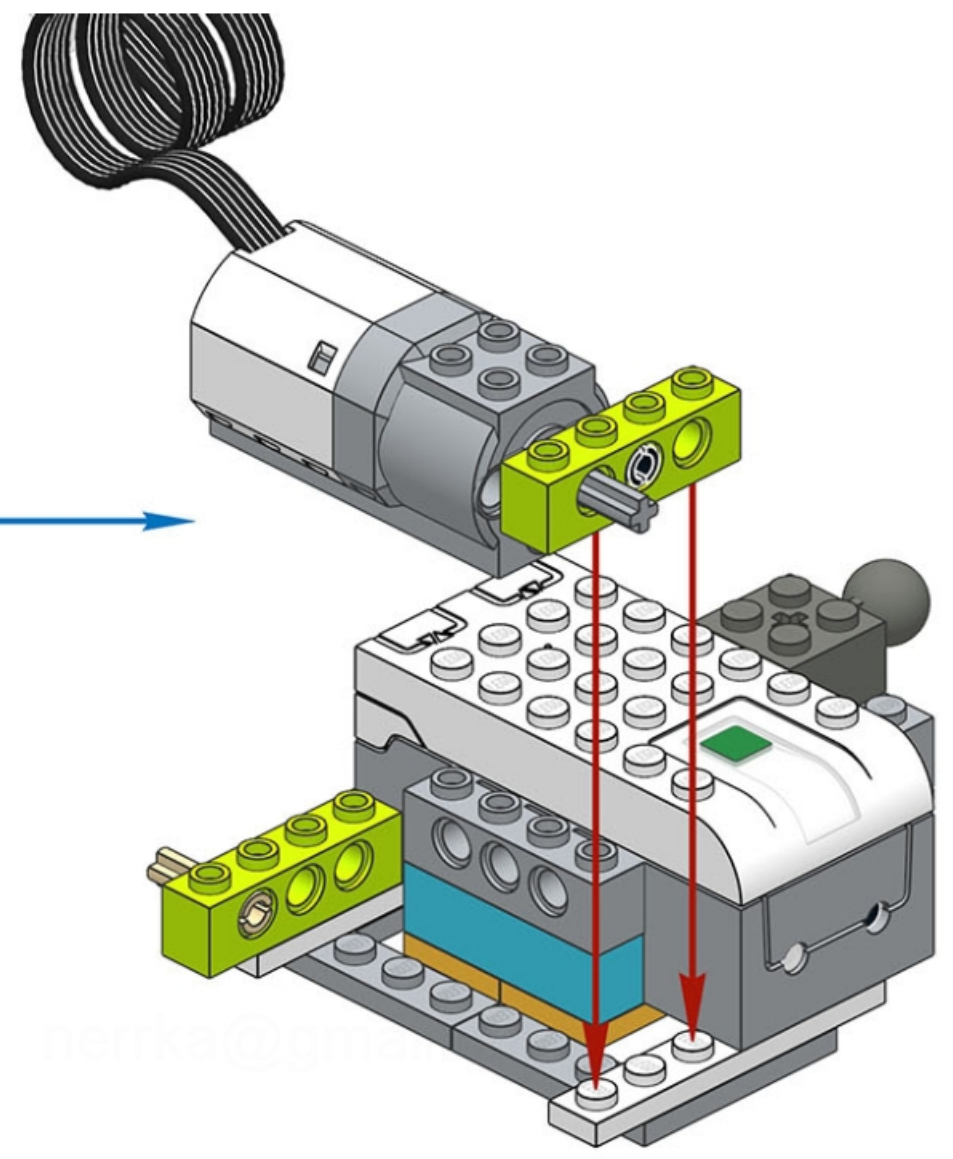




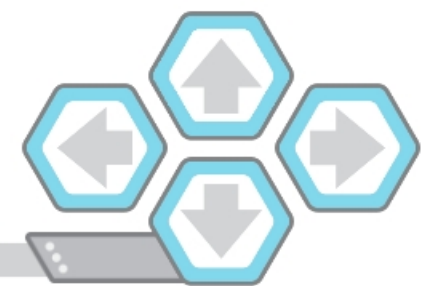
2



9

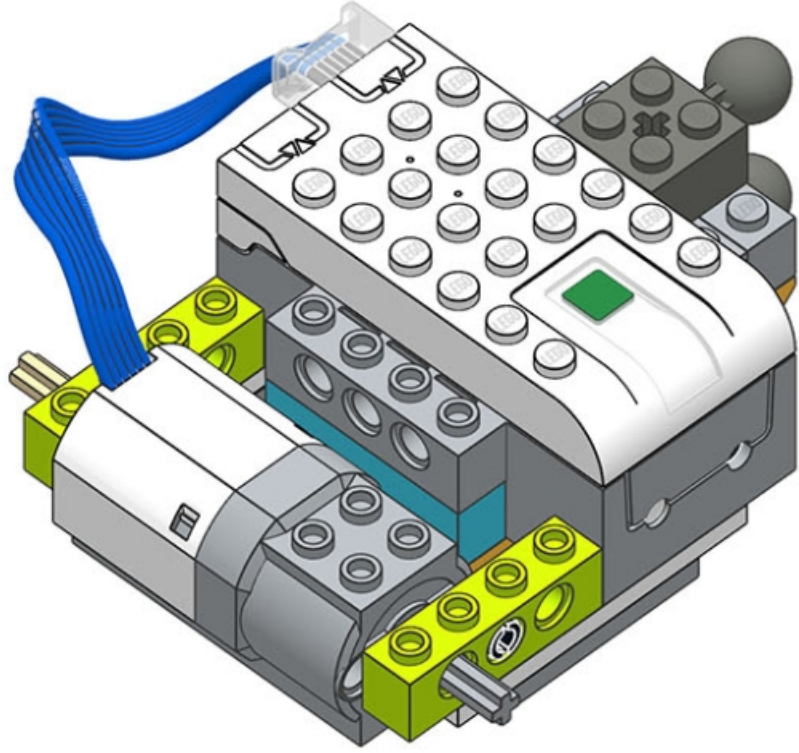


nerka@gmail.com



10

nerka@gmail.com

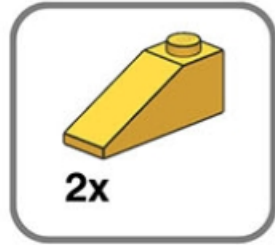


10/48

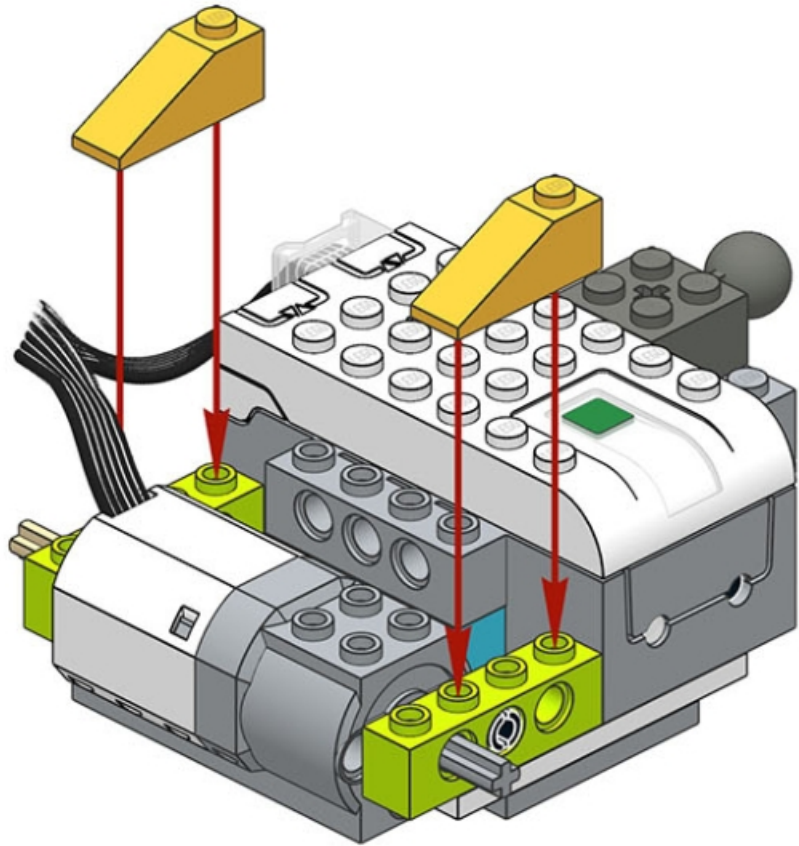
0

37

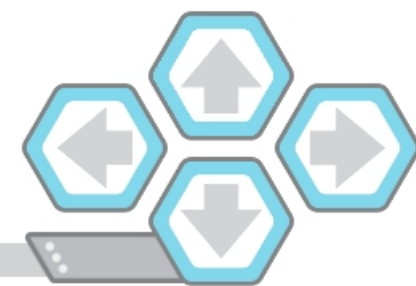


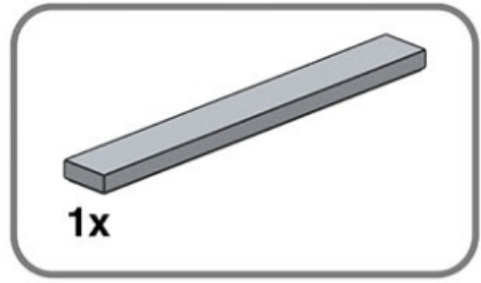


11

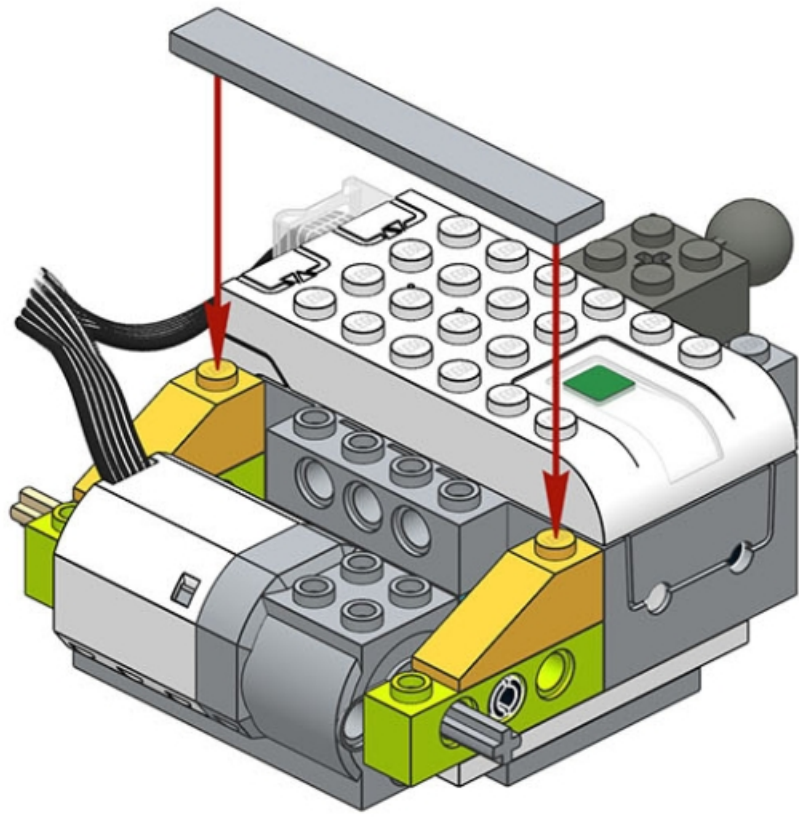


nerrka@gmail.com





12

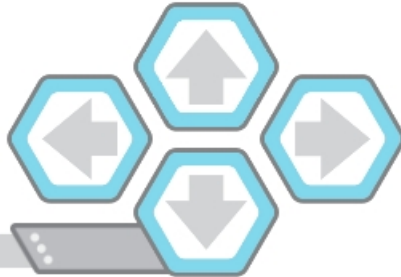


12/48

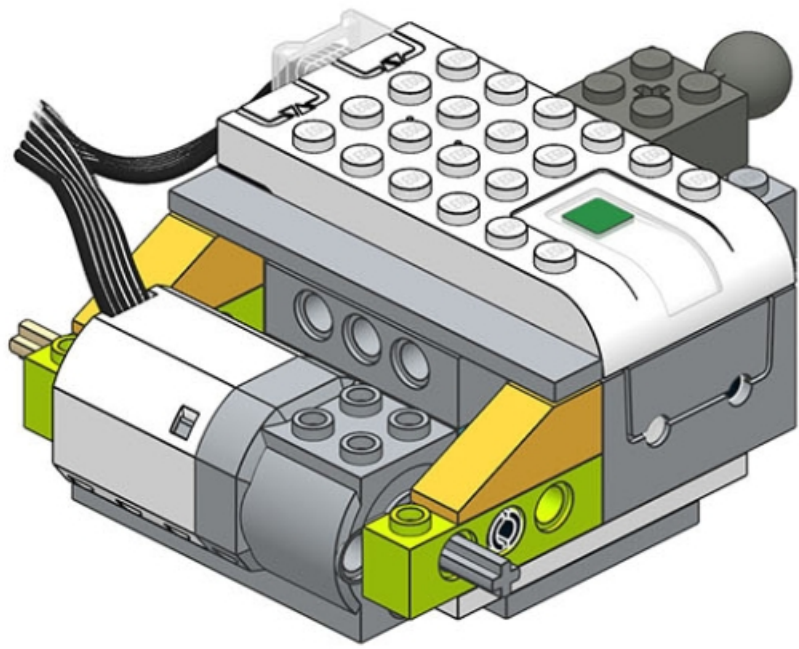
0

39

nerrka@gmail.com



13



13/48

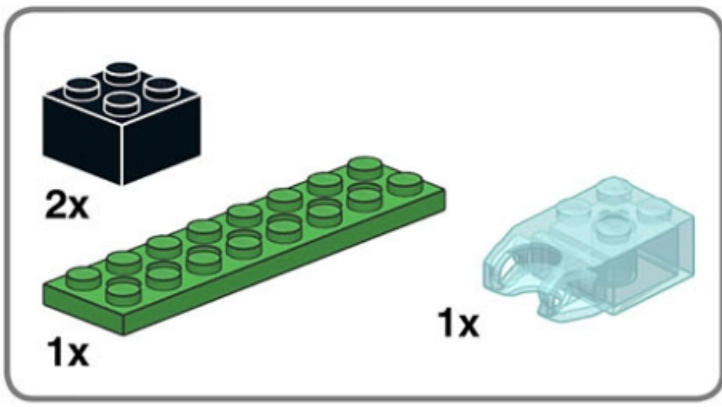
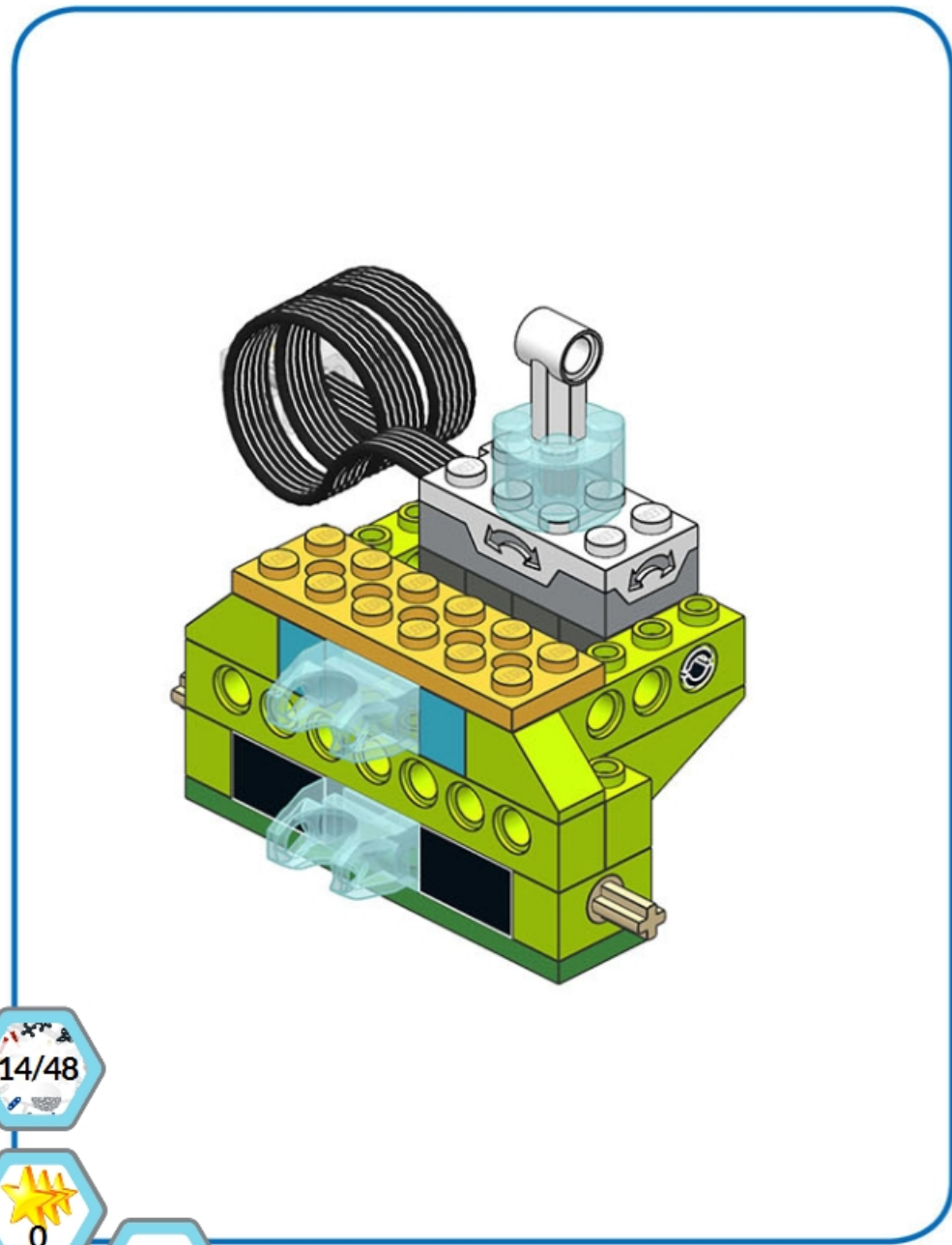
0

40

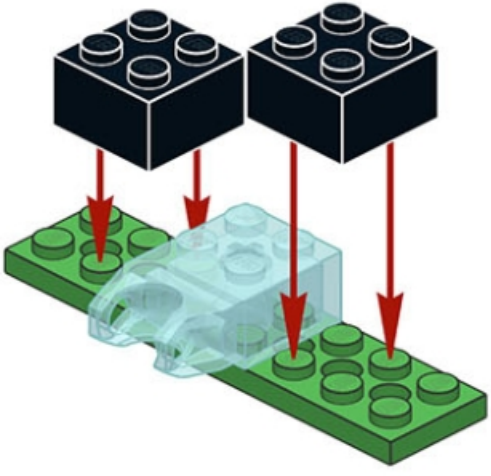
A set of navigation icons in the bottom left corner. It includes a hexagon with a play button, a hexagon with a star, and a hexagon with a play button. Below these is a blue progress bar.

nerka@gmail.com

A set of navigation icons in the bottom right corner, consisting of four hexagons with arrows pointing up, down, left, and right.



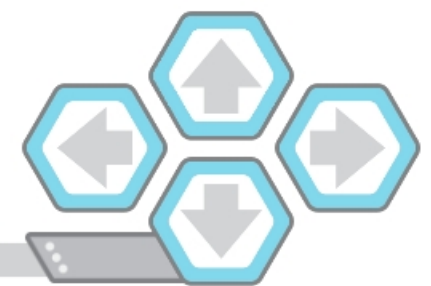
14

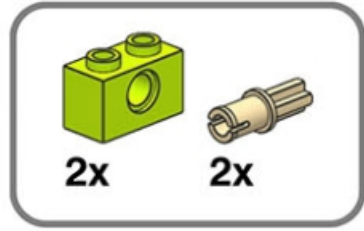


14/48

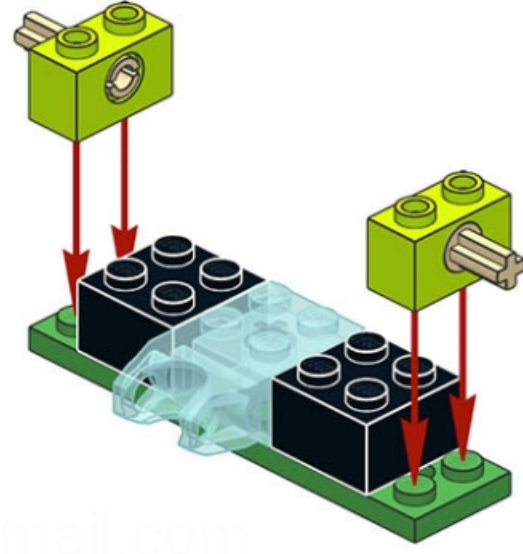
0

41

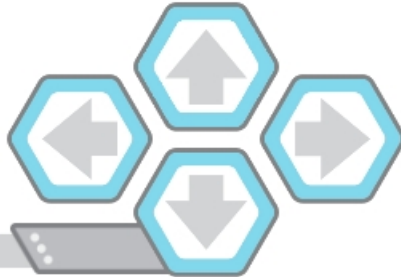


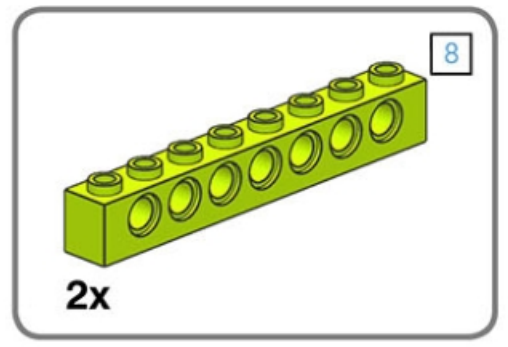


15

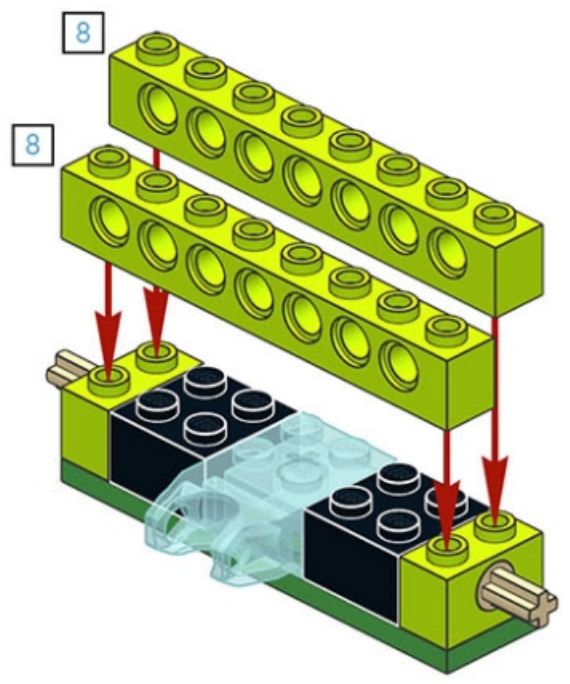


nerrka@gmail.com

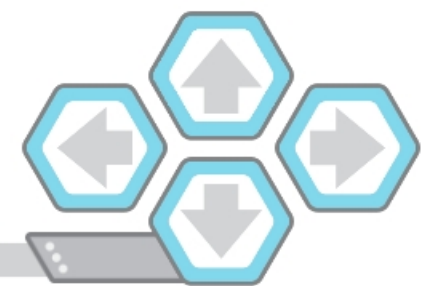


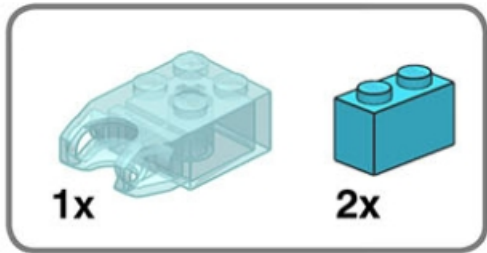


16

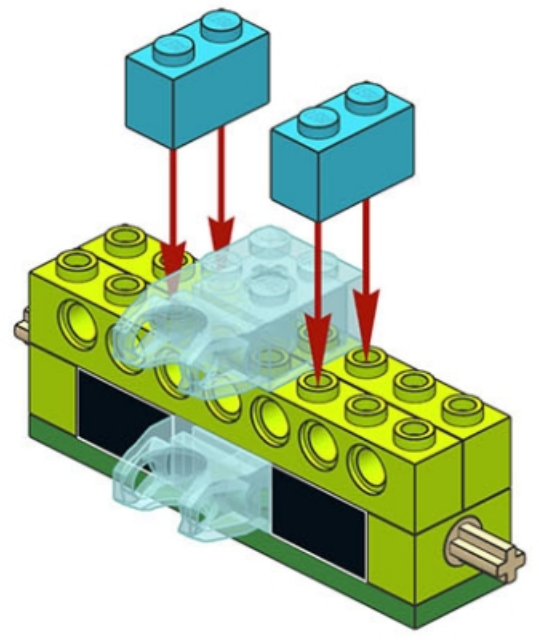


nerrka@gmail.com





17

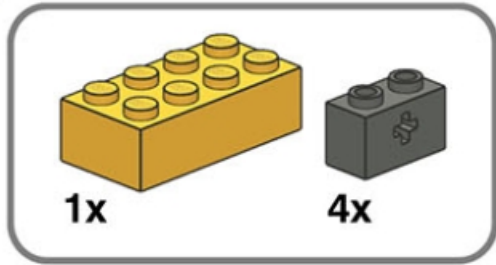


17/48

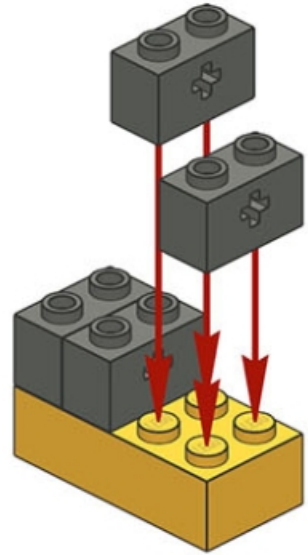
0

44

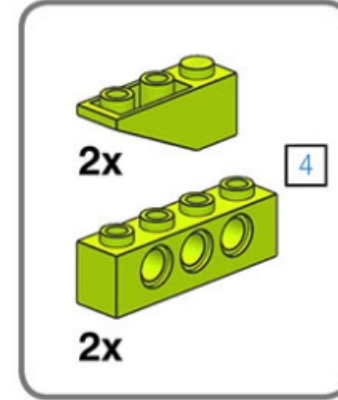
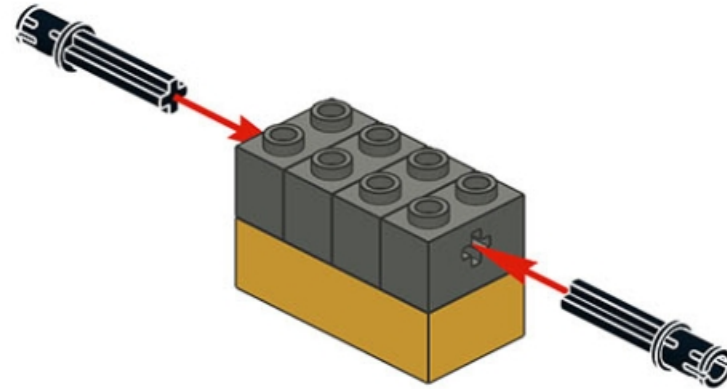




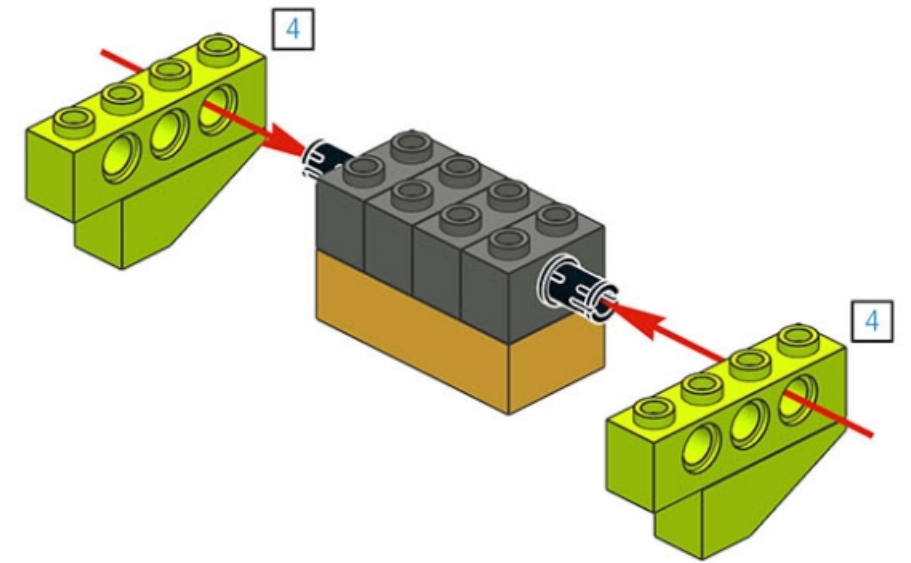
1

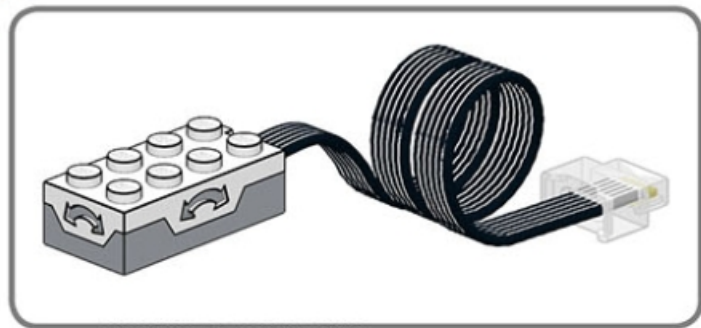


2

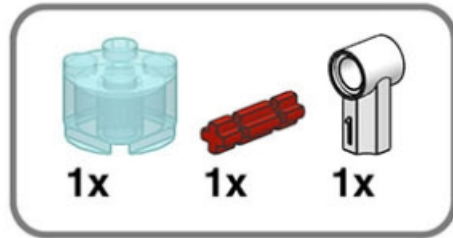
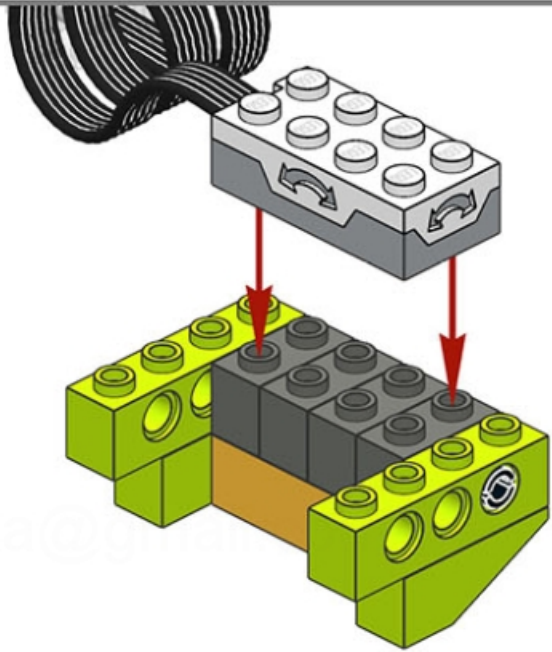


3

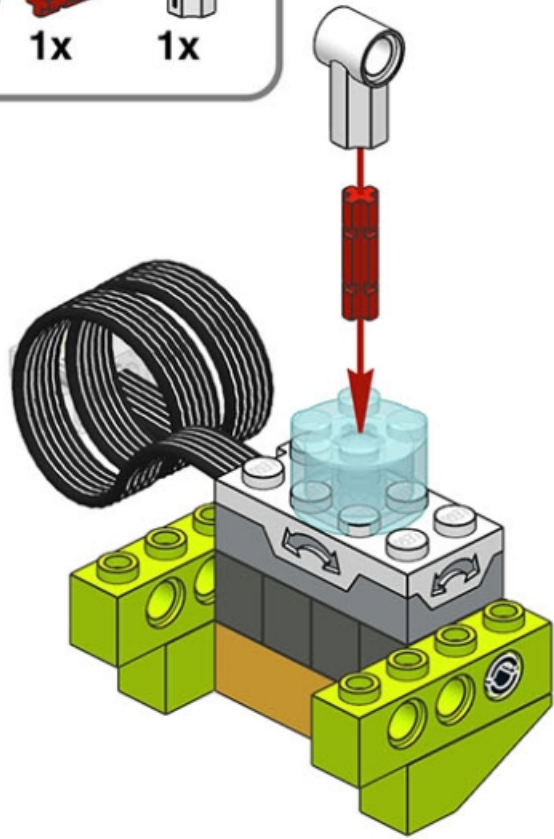




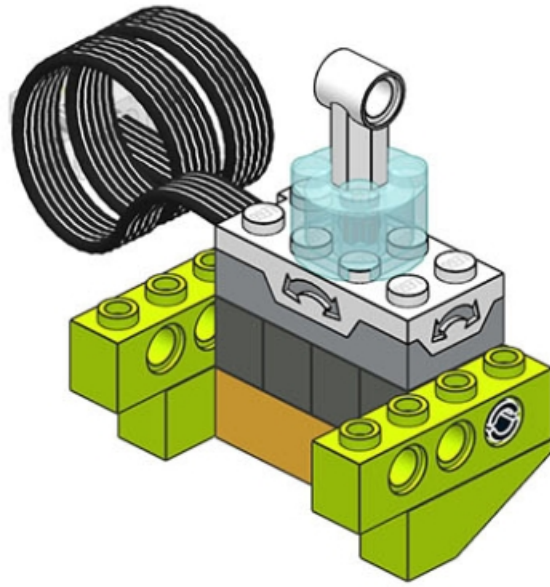
4



5

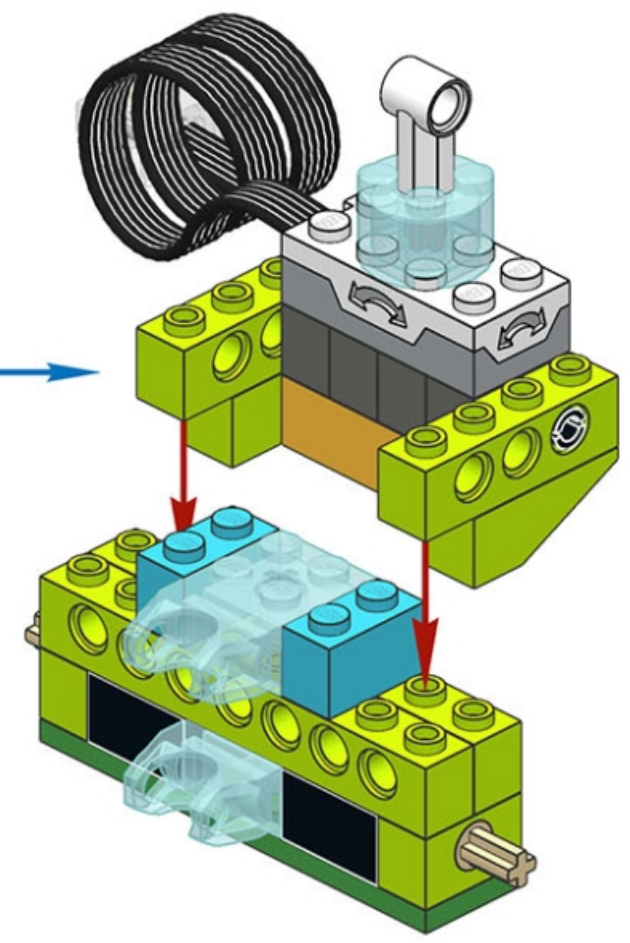


6



20

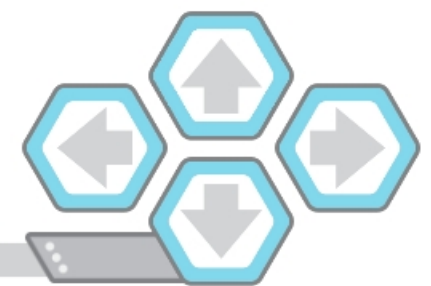
nerrka@gmail.com



20/48

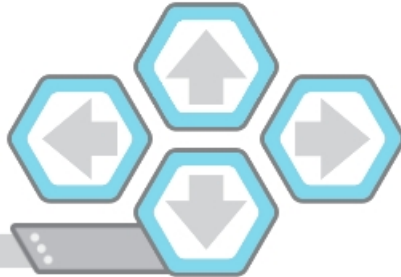
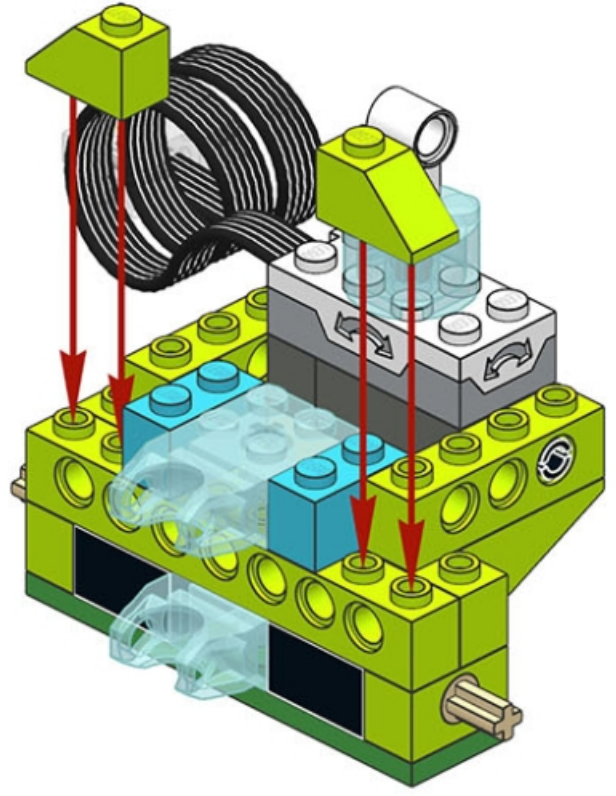
0

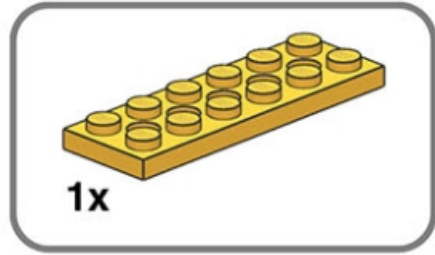
47



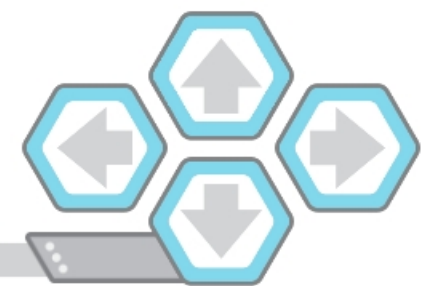
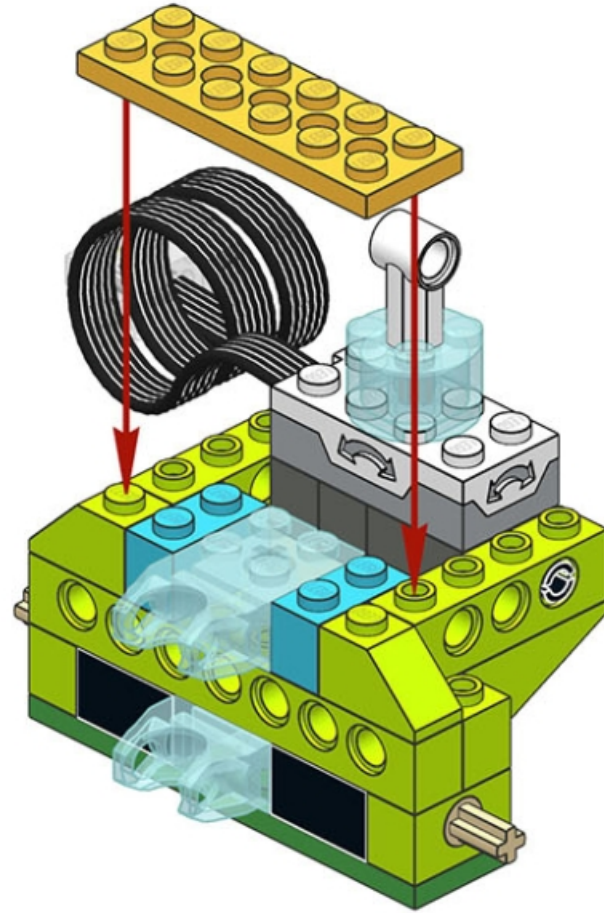


21

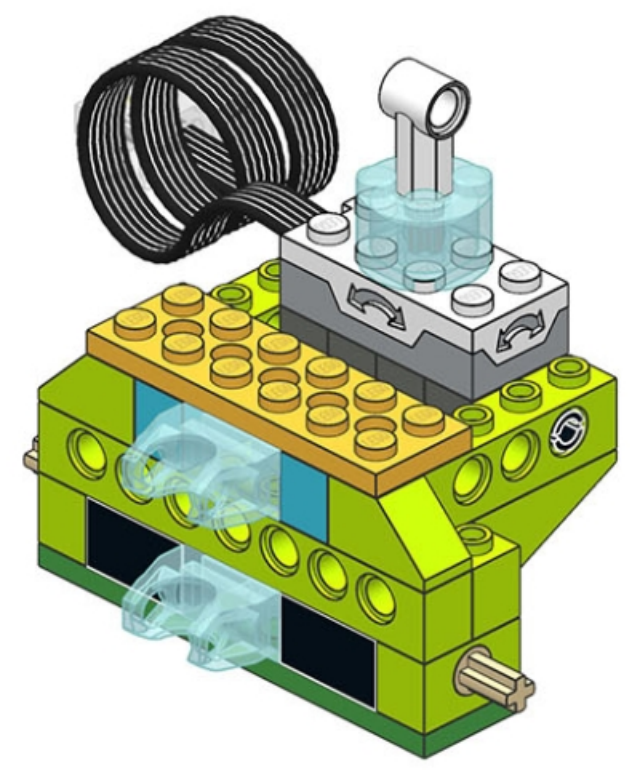




22



23



23/48

0

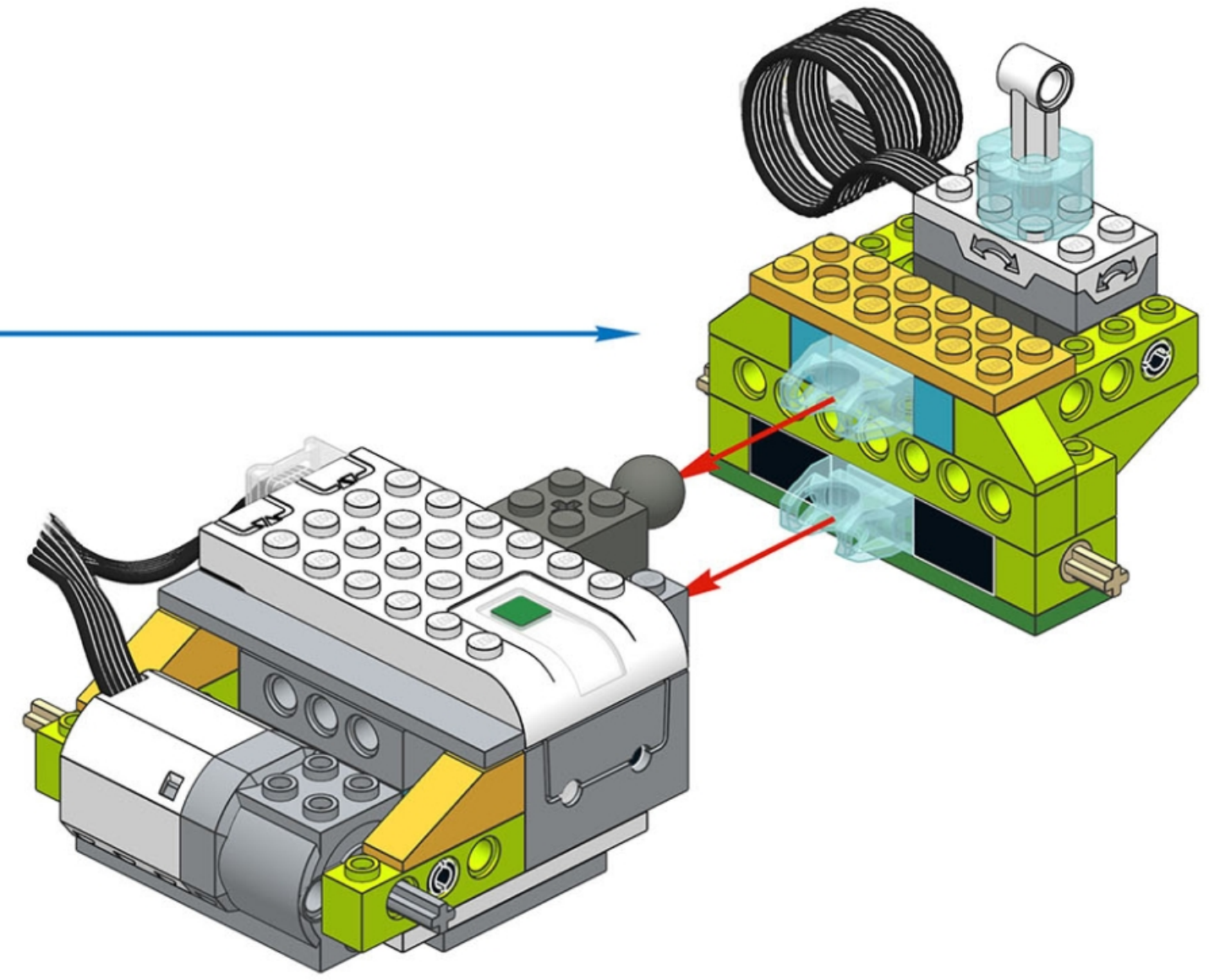
50

A set of navigation icons in the bottom left corner. It includes a hexagon with a play button, a hexagon with a star, and a hexagon with a play button. Below these is a blue progress bar.

A set of navigation icons in the bottom right corner. It consists of four hexagons with arrows pointing up, down, left, and right, arranged in a cross pattern.

24

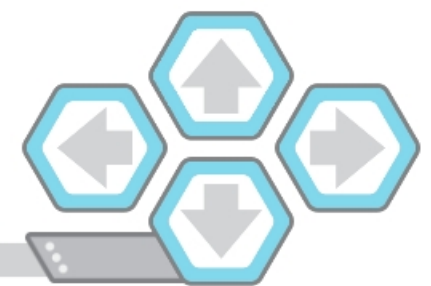
nerrka@gmail.com



24/48

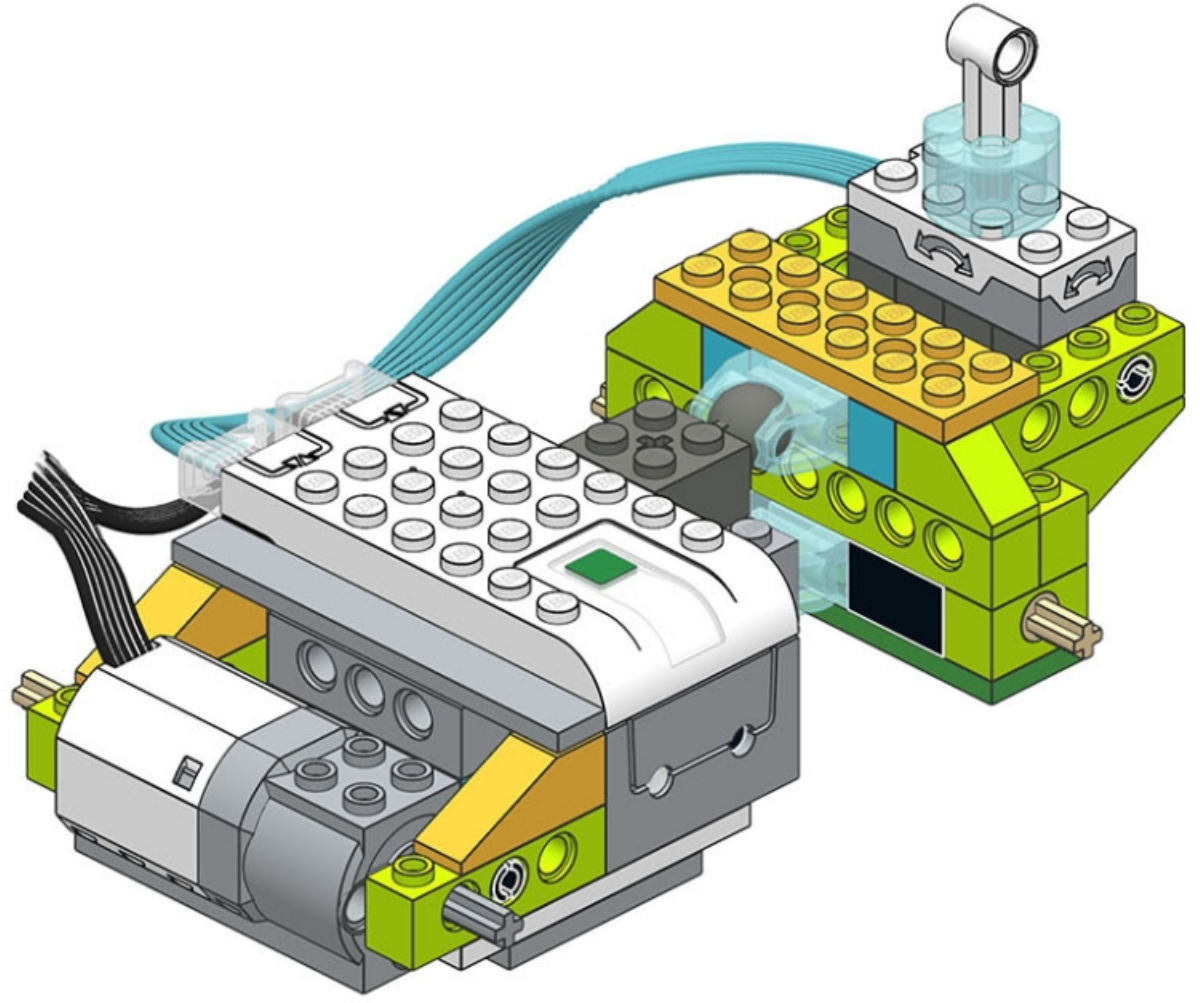
0

51



25

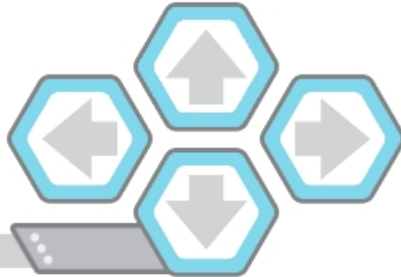
nerka@gmail.com



25/48

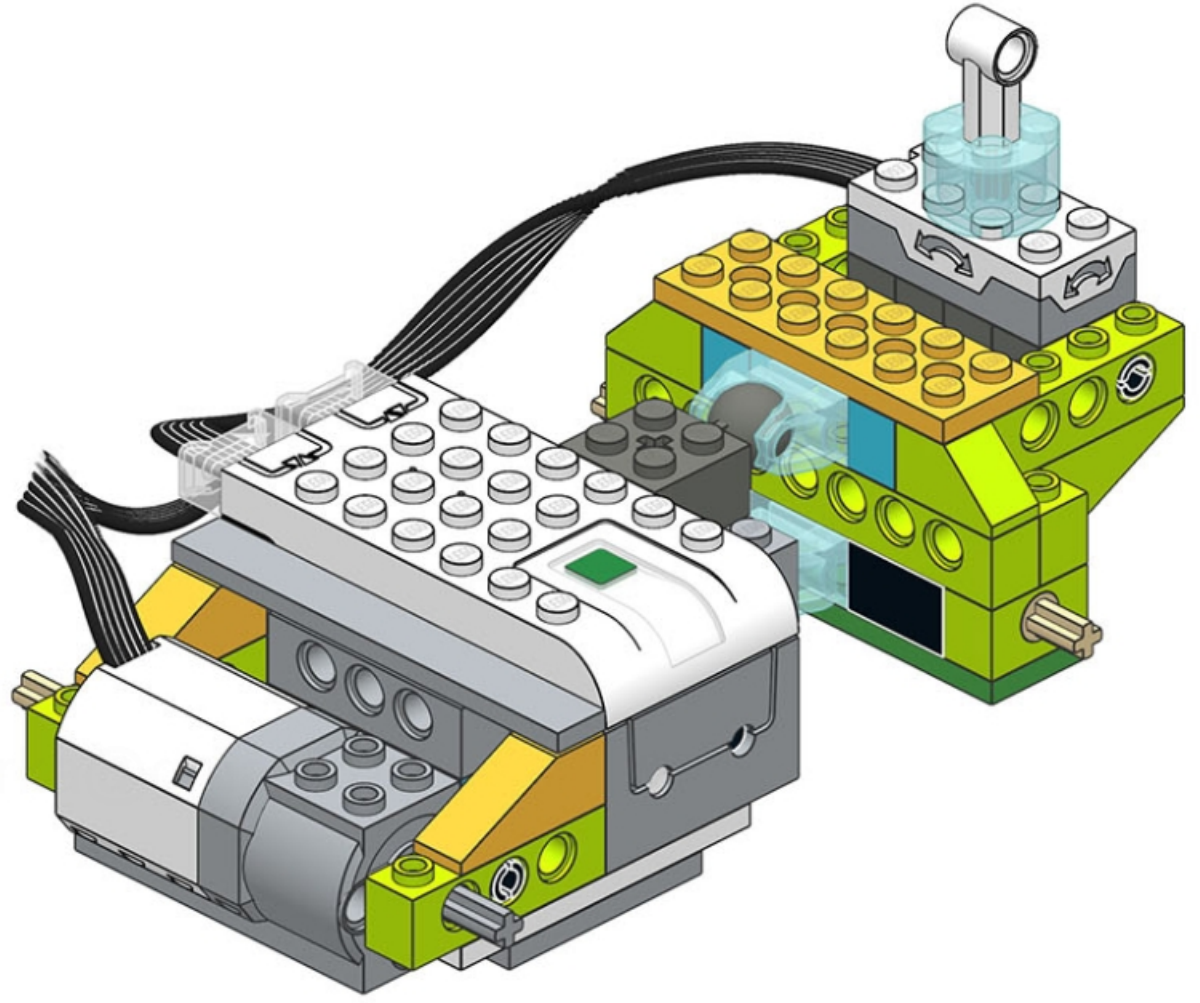
0

52





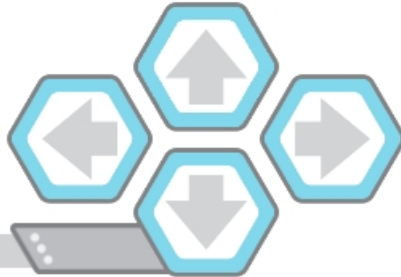
26

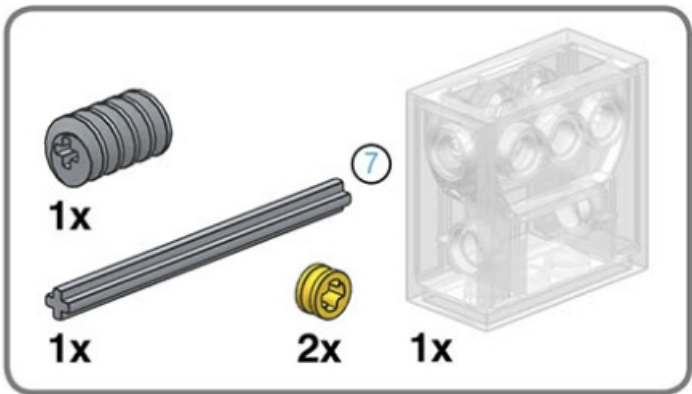
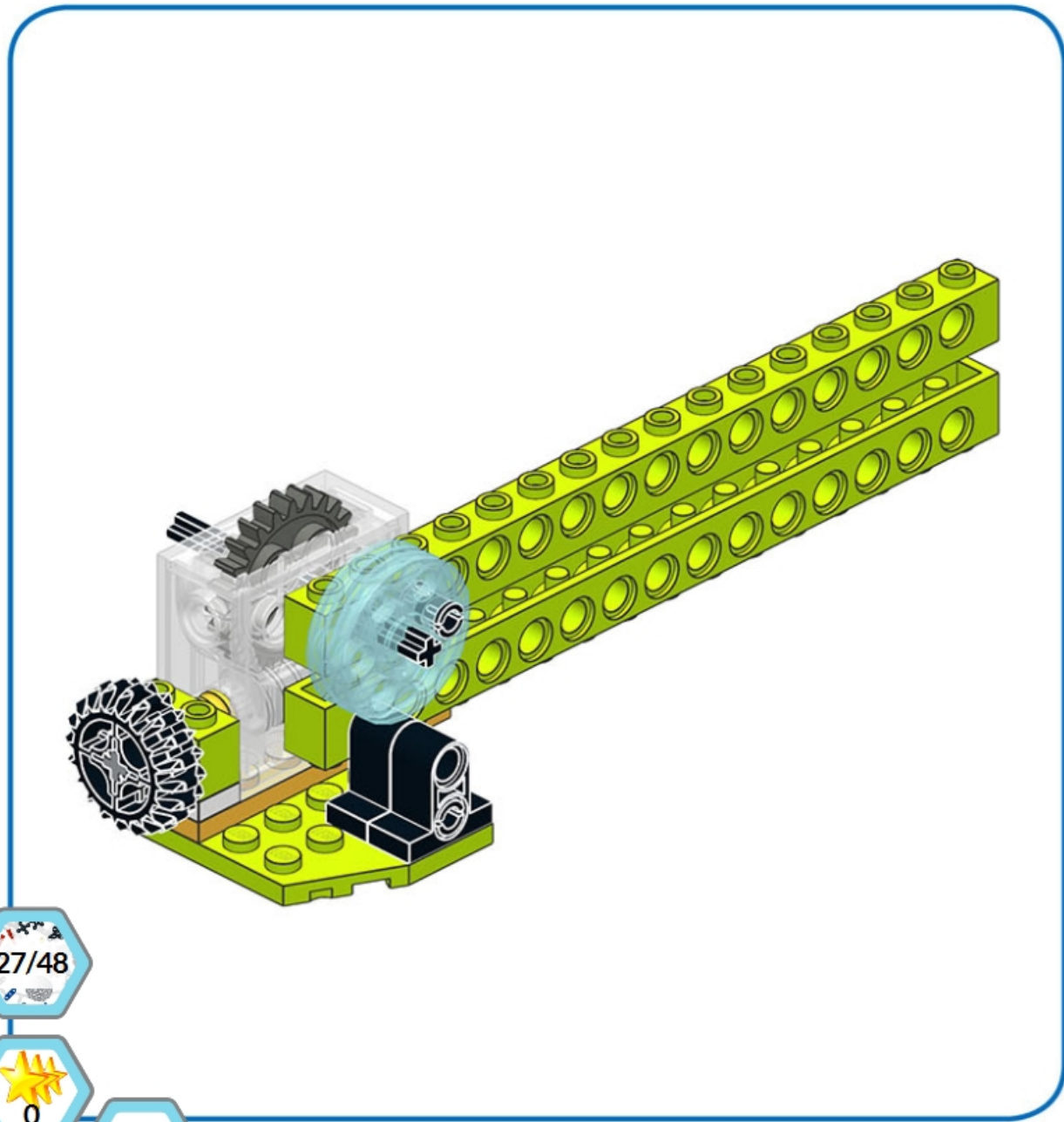


26/48

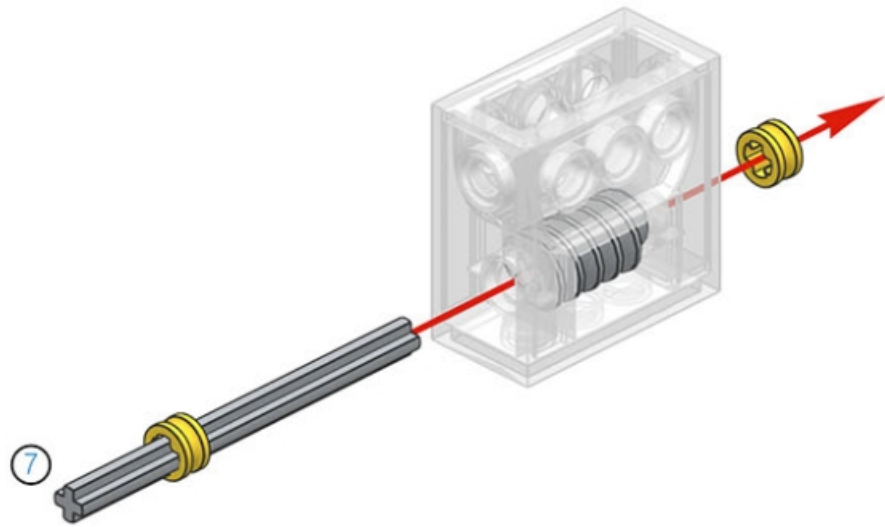


53





27

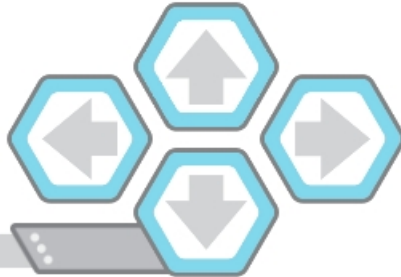


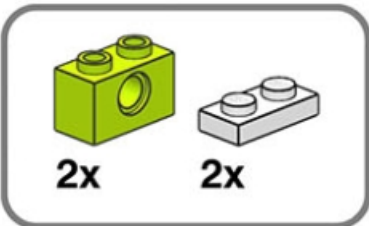
nerrka@gmail.com

27/48

0

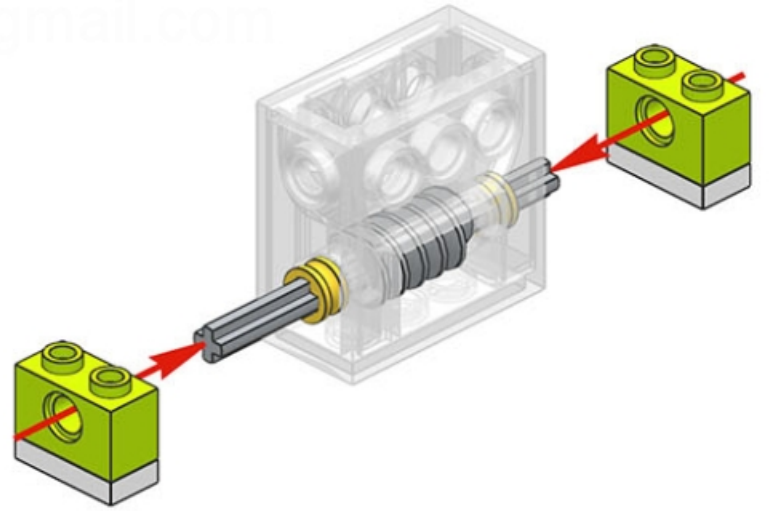
54





28

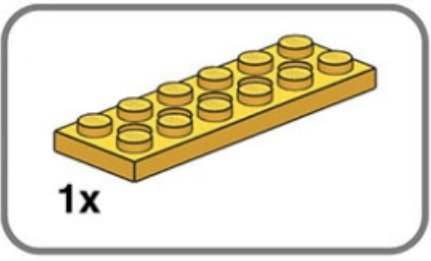
nerrka@gmail.com



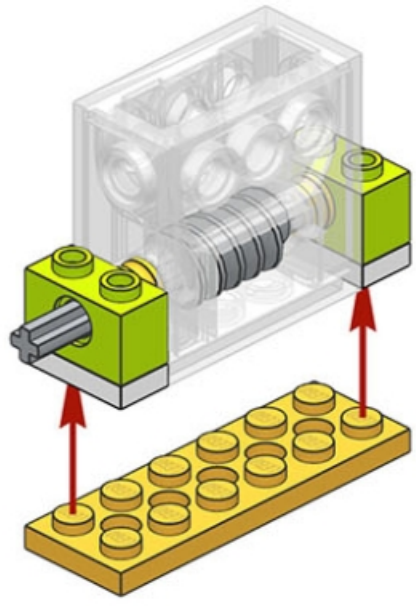
28/48

0

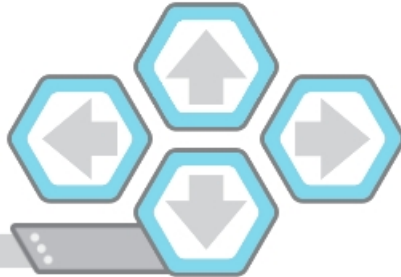
55



29



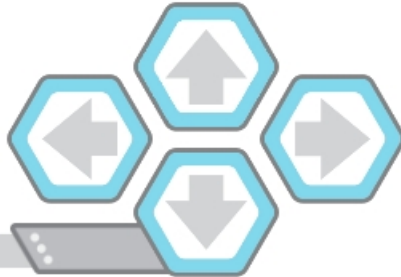
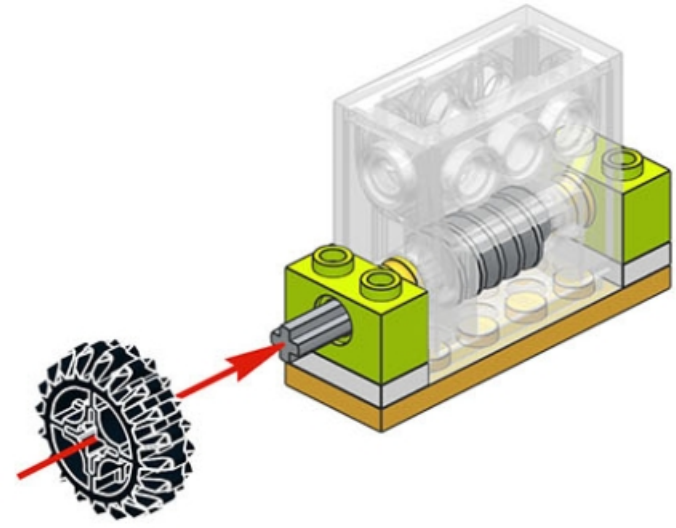
nerrka@gmail.com

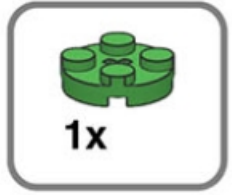




30

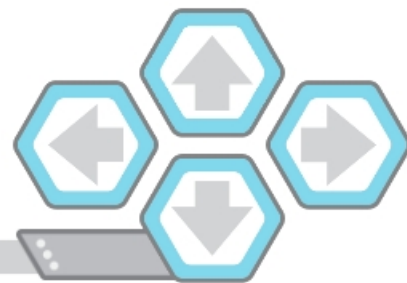
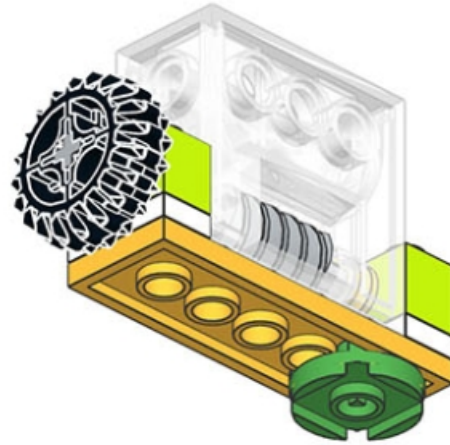
nerrka@gmail.com

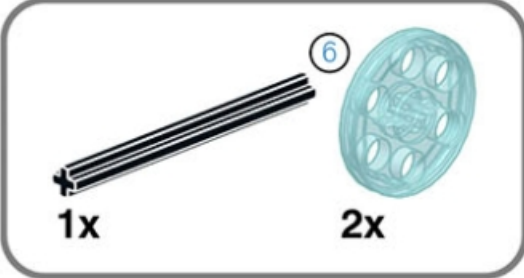




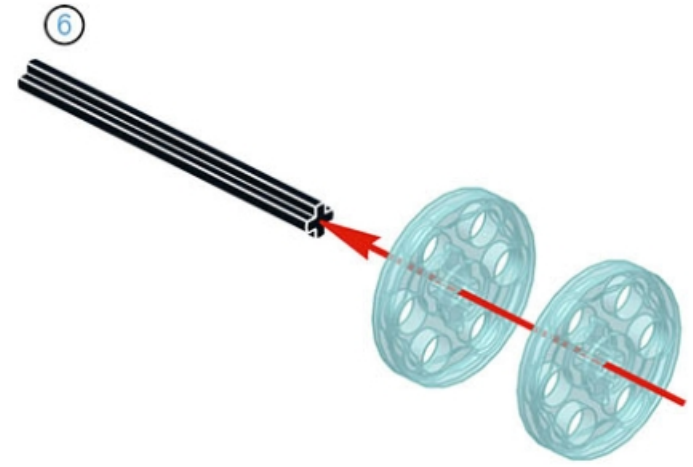
31

nerrka@gmail.com

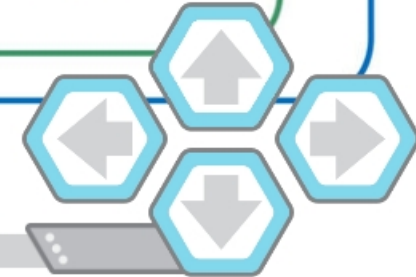


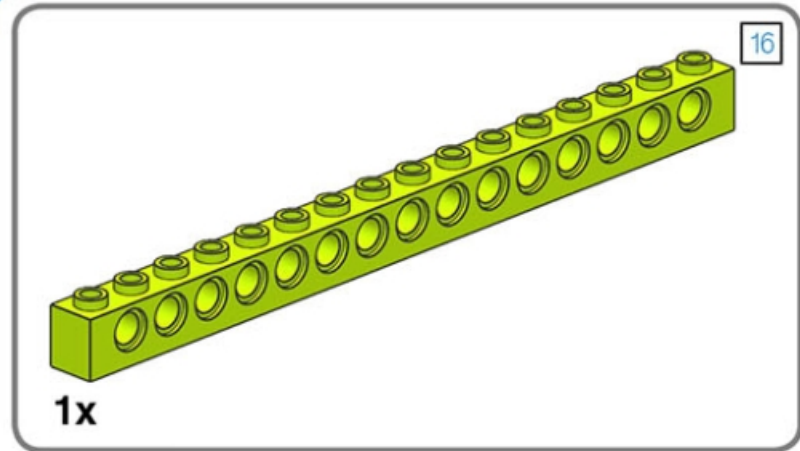


1

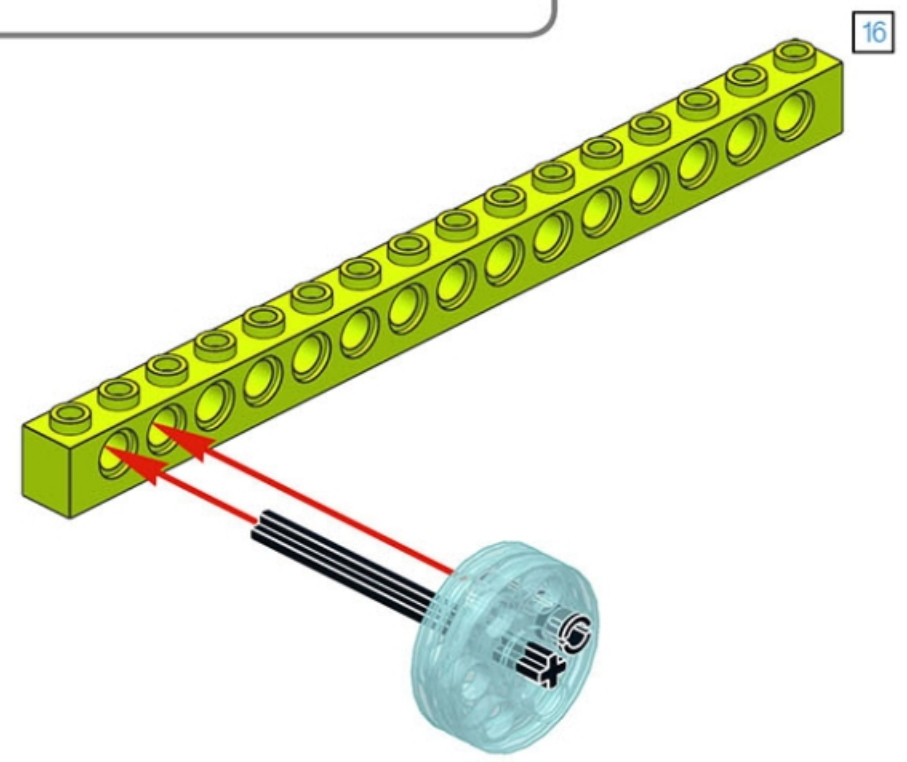


2

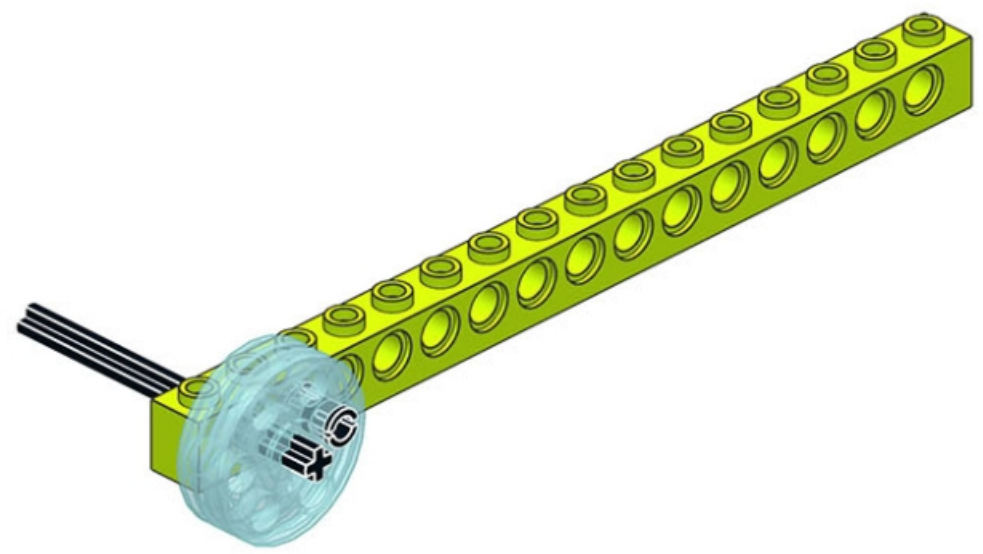




3



4

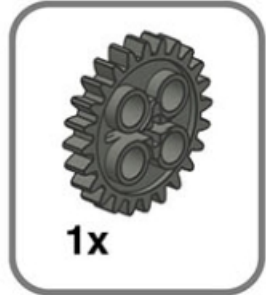


33/48

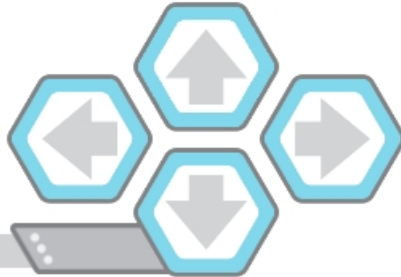
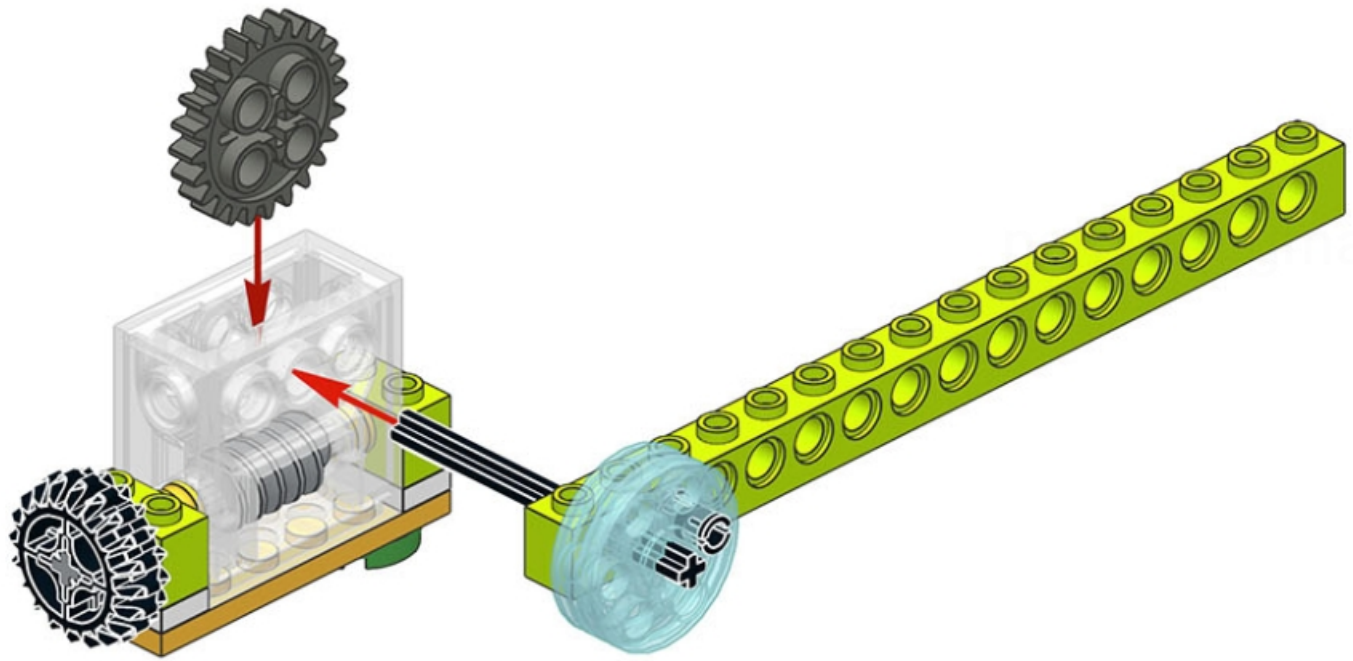
0

60



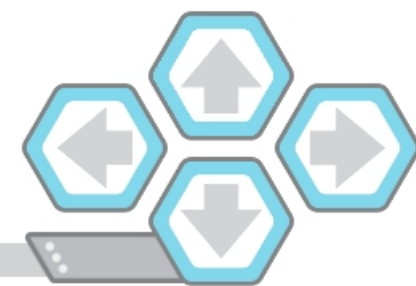
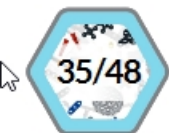
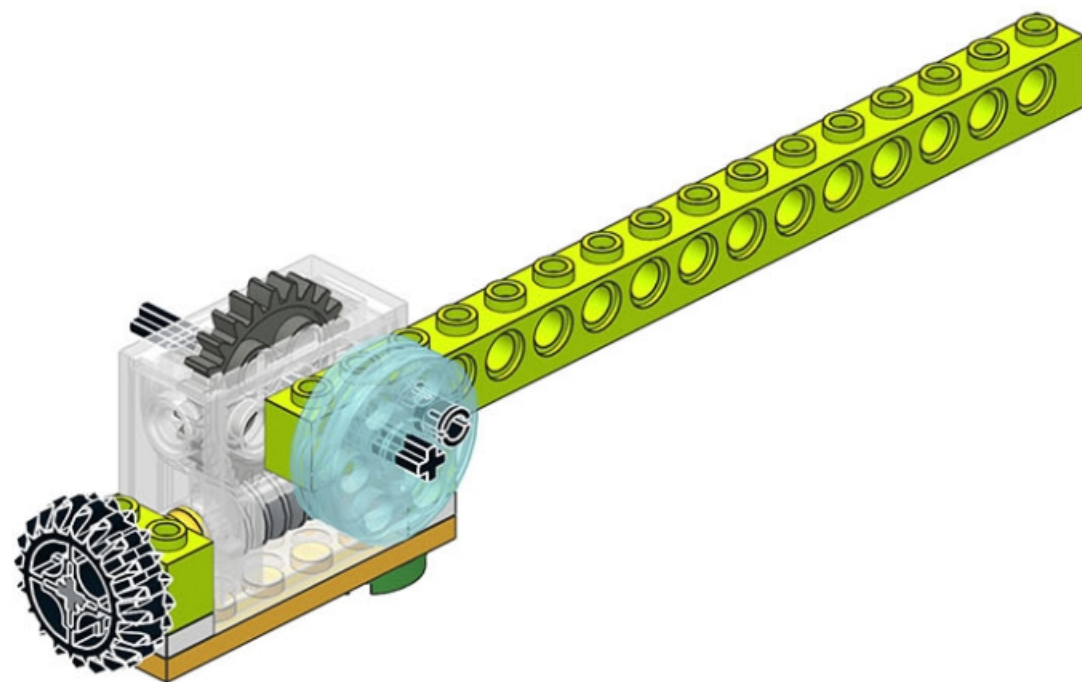


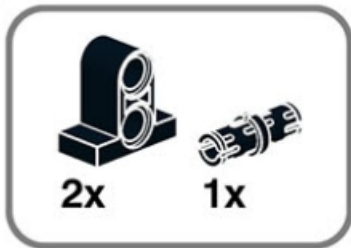
34



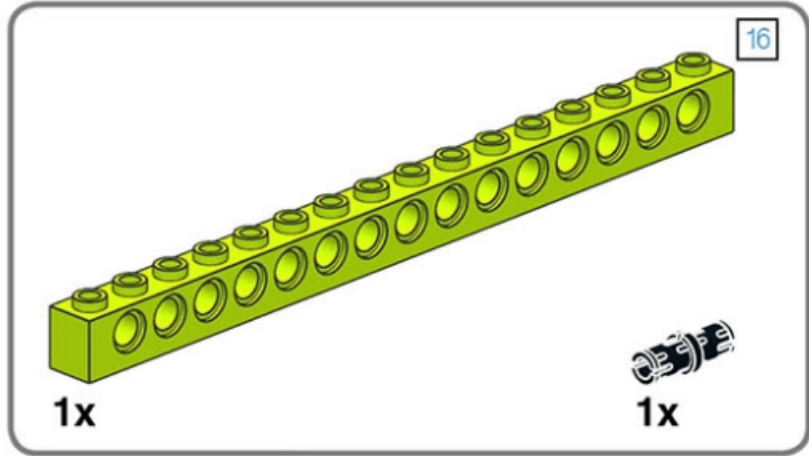
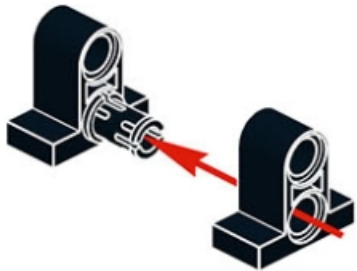


35

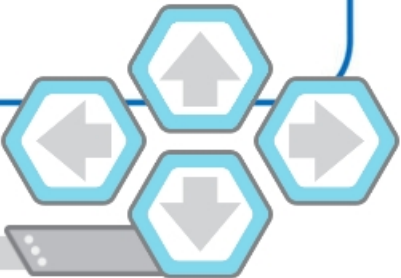
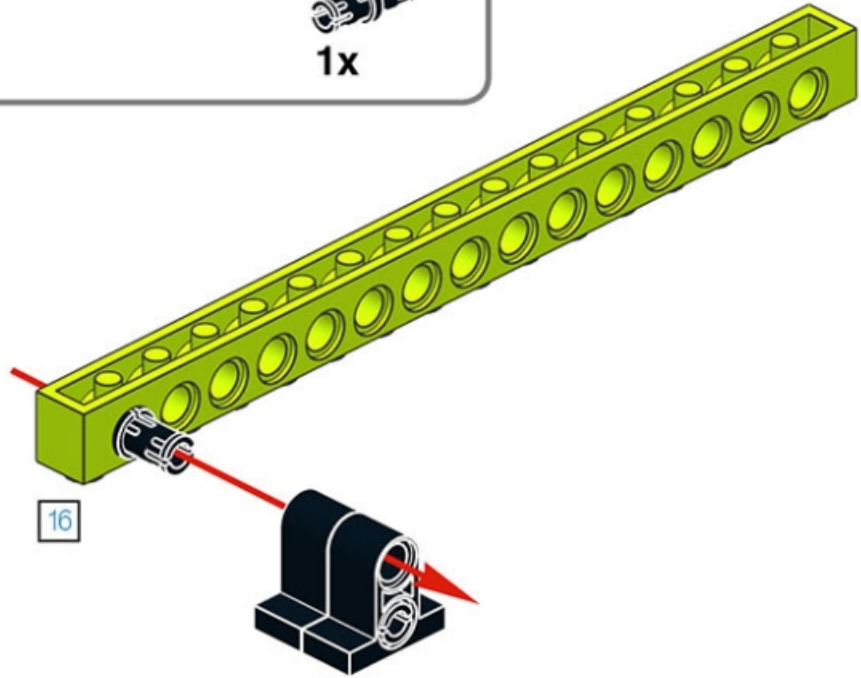


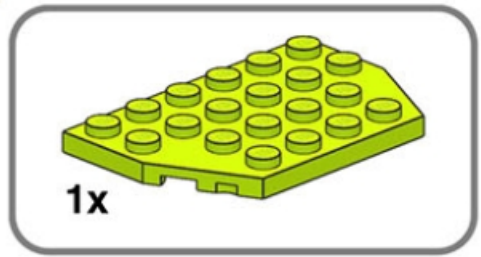


1

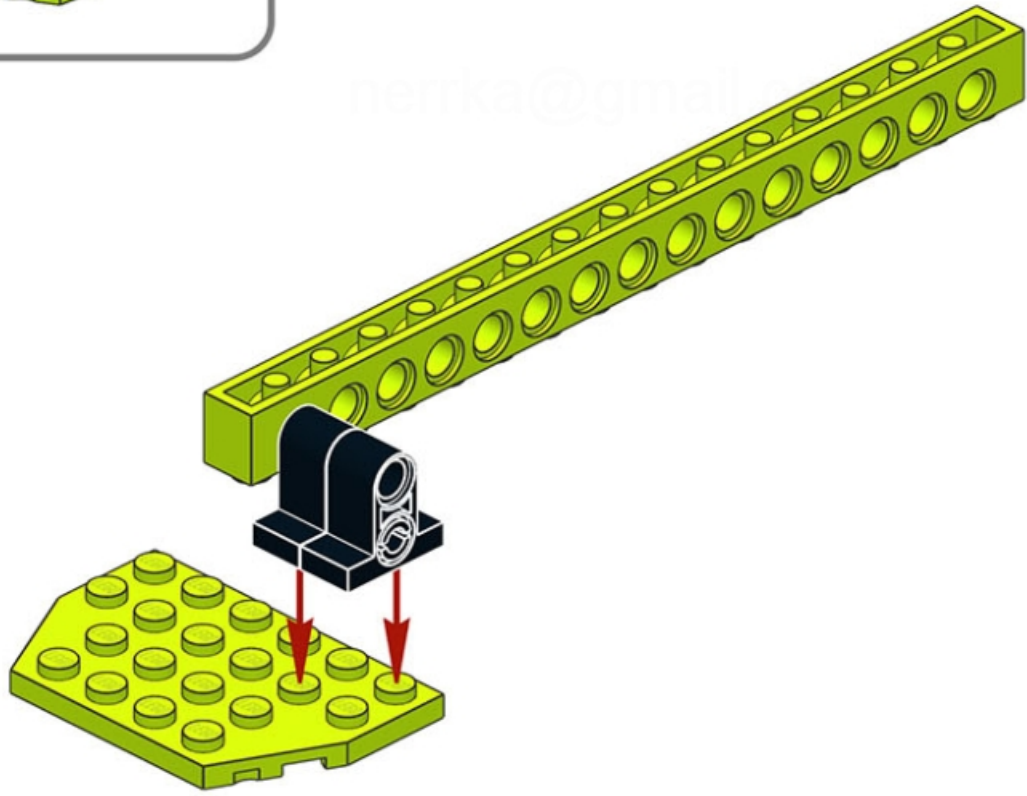


2

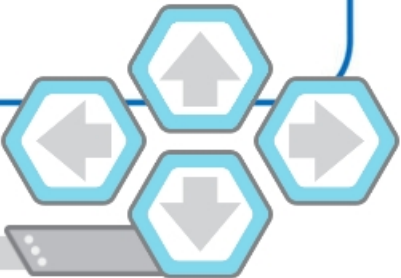
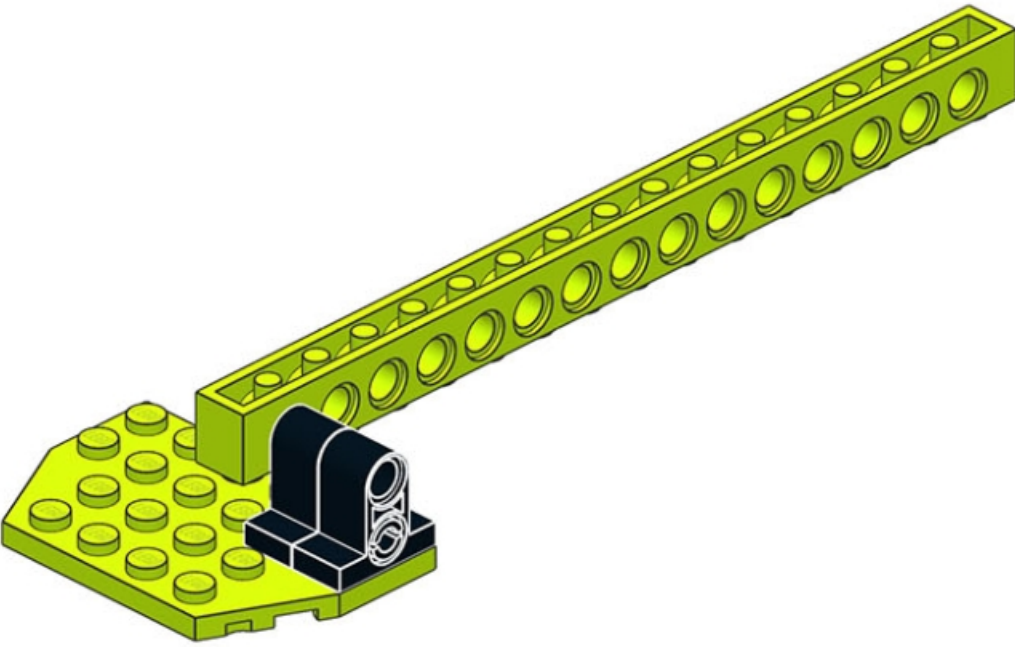




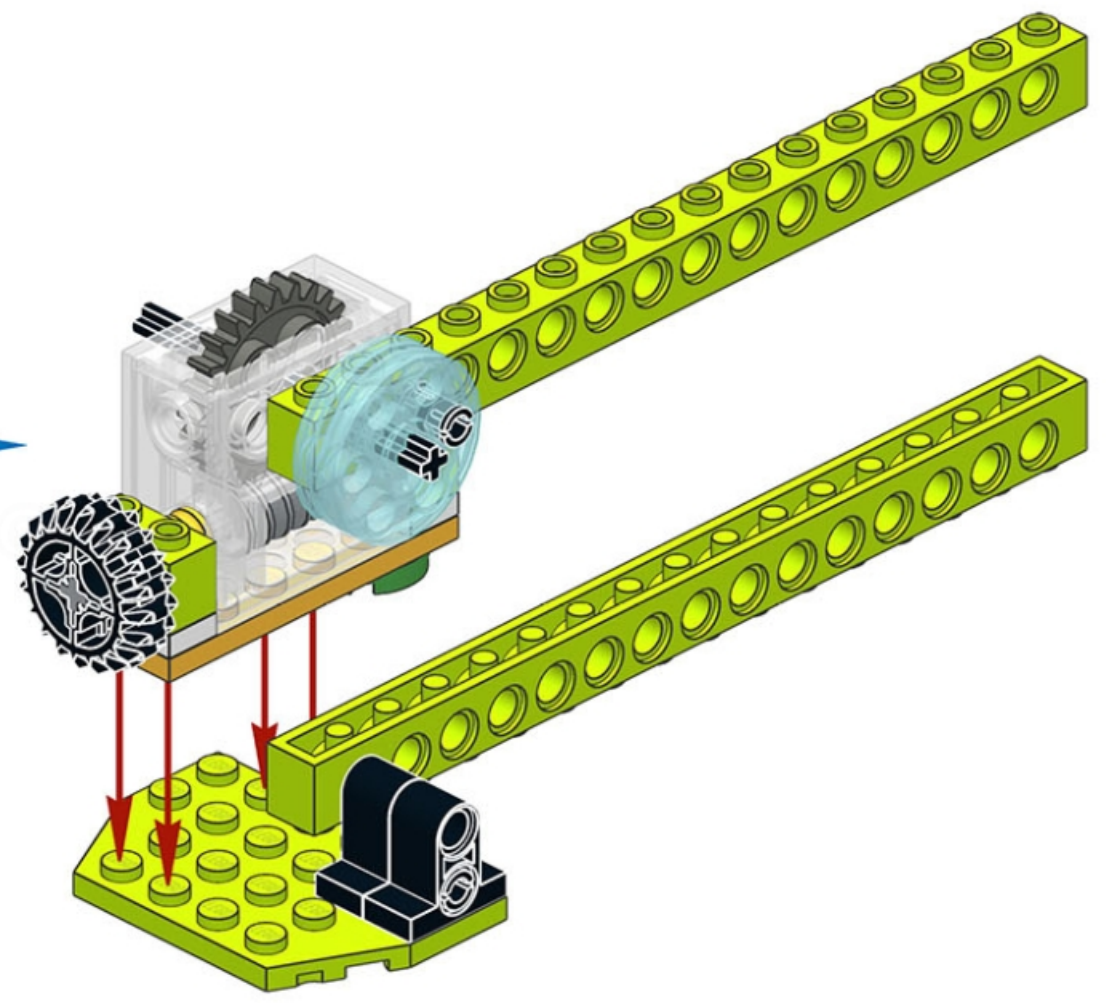
3



4



38



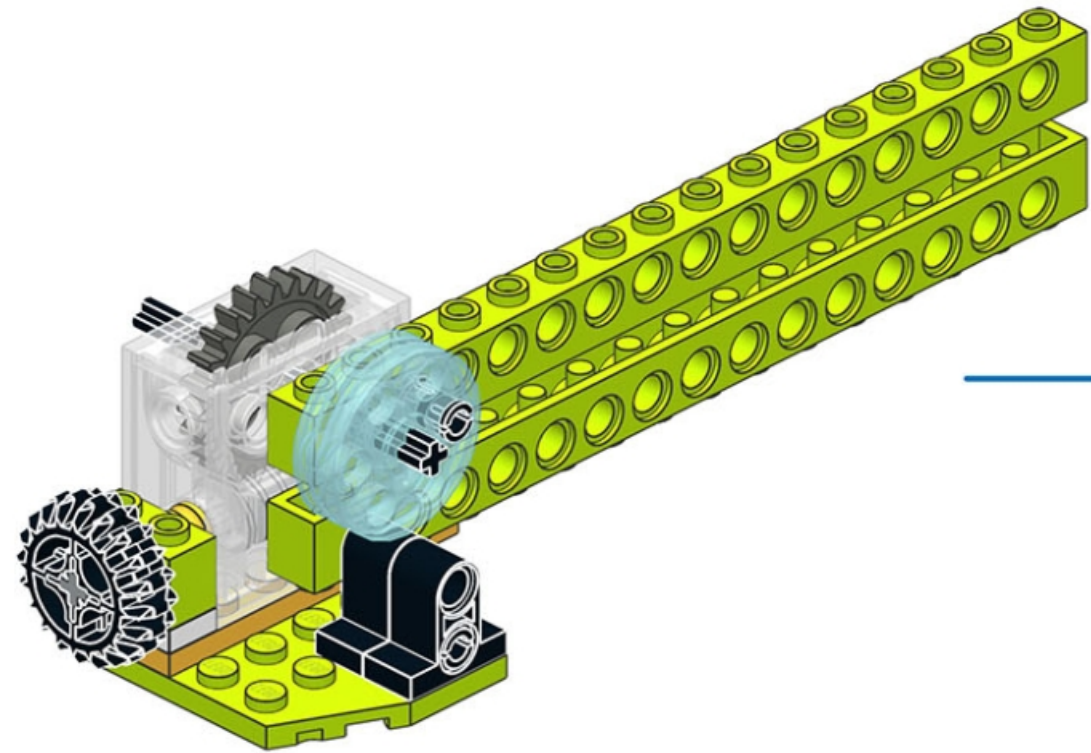
38/48

0

65



39



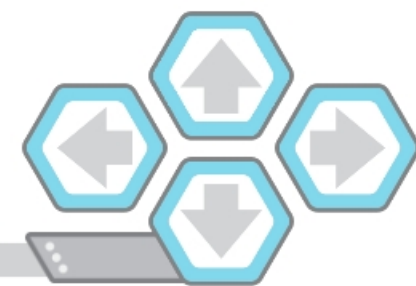
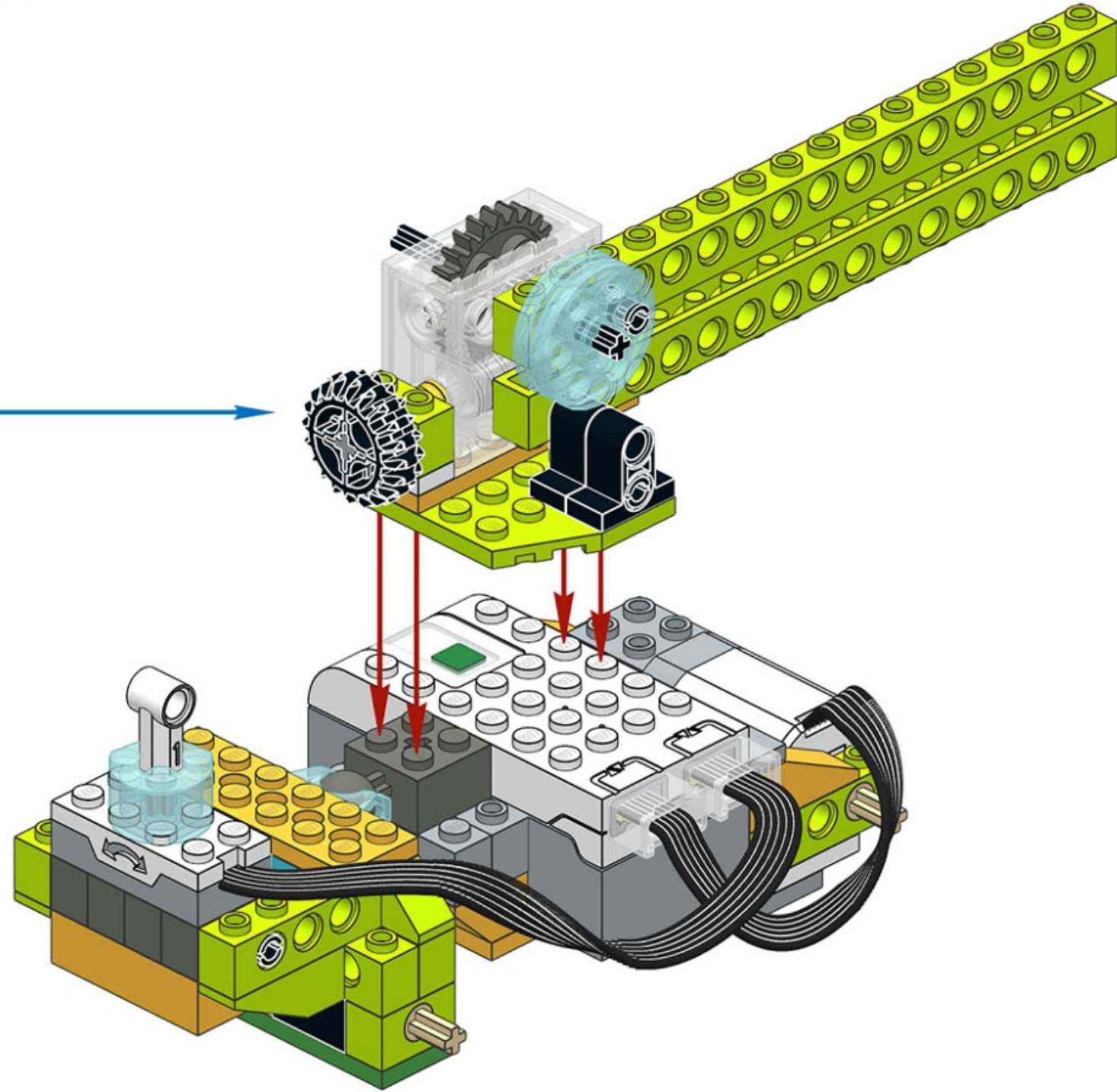
39/48

0

66

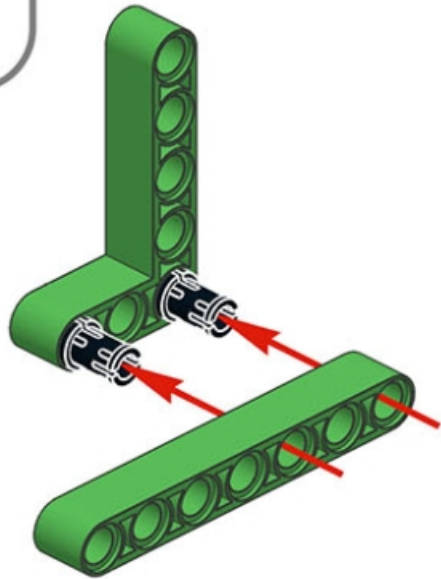


40

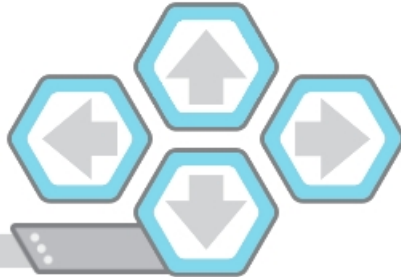
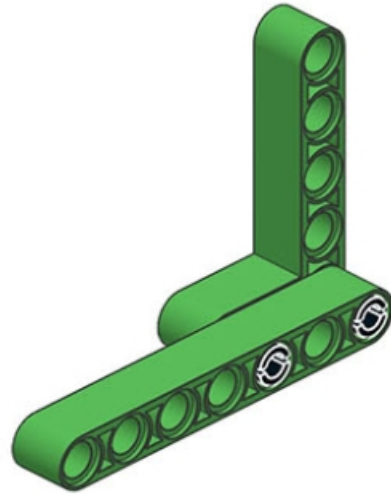


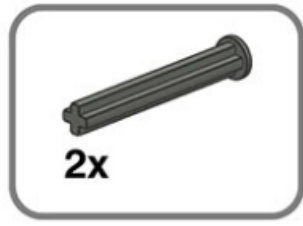
- 2x
- 1x
- 1x

1

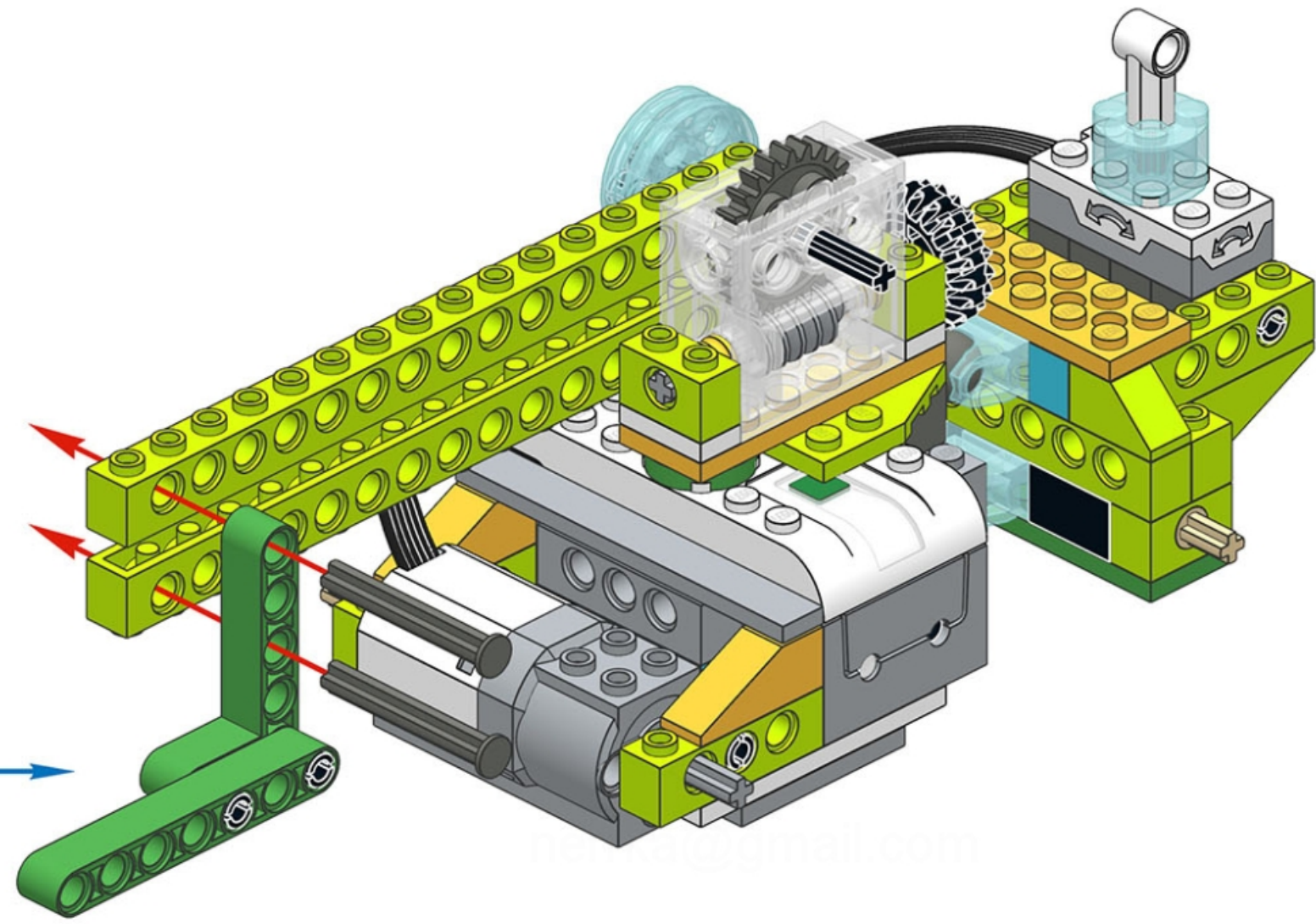


2





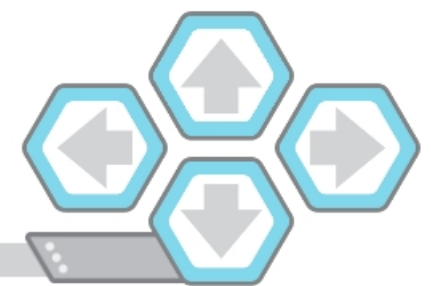
43



43/48

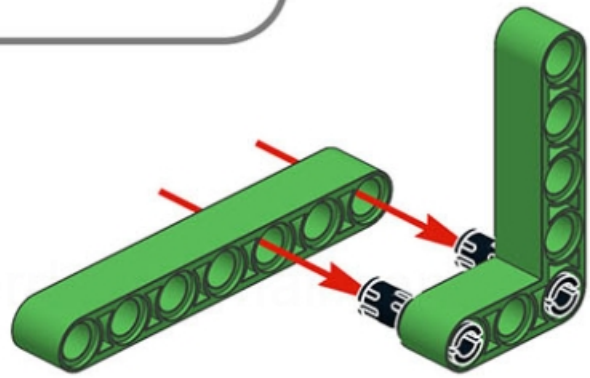
0

70

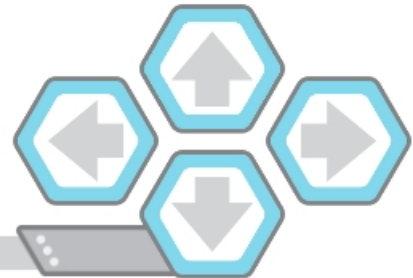
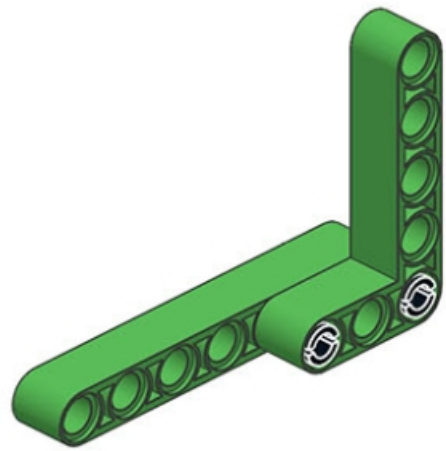


- 2x
- 1x
- 1x

1

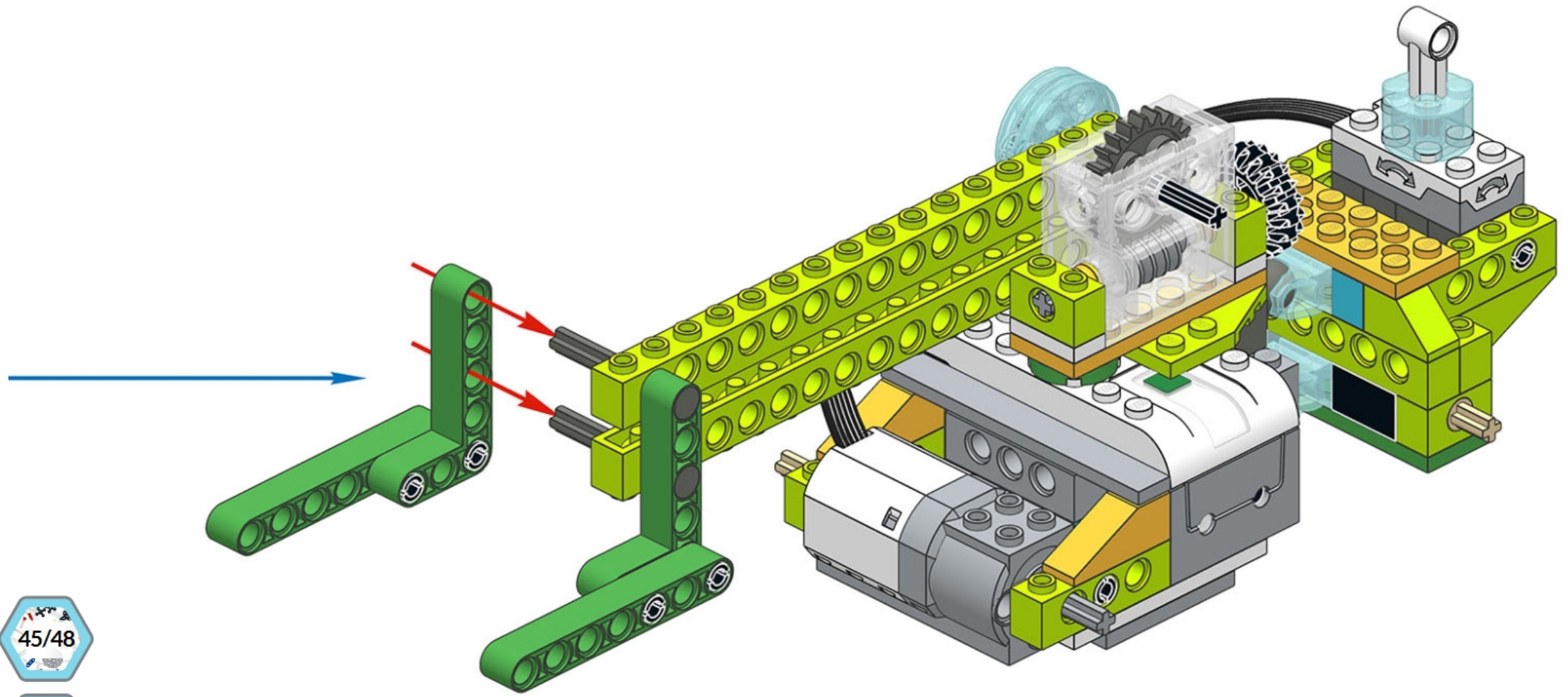


2





45



45/48

0

72

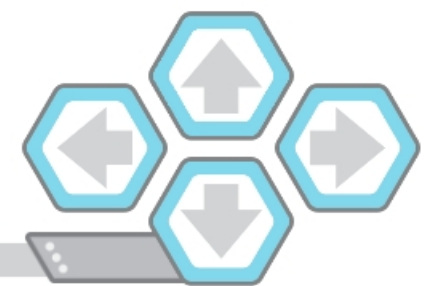
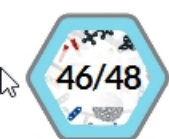
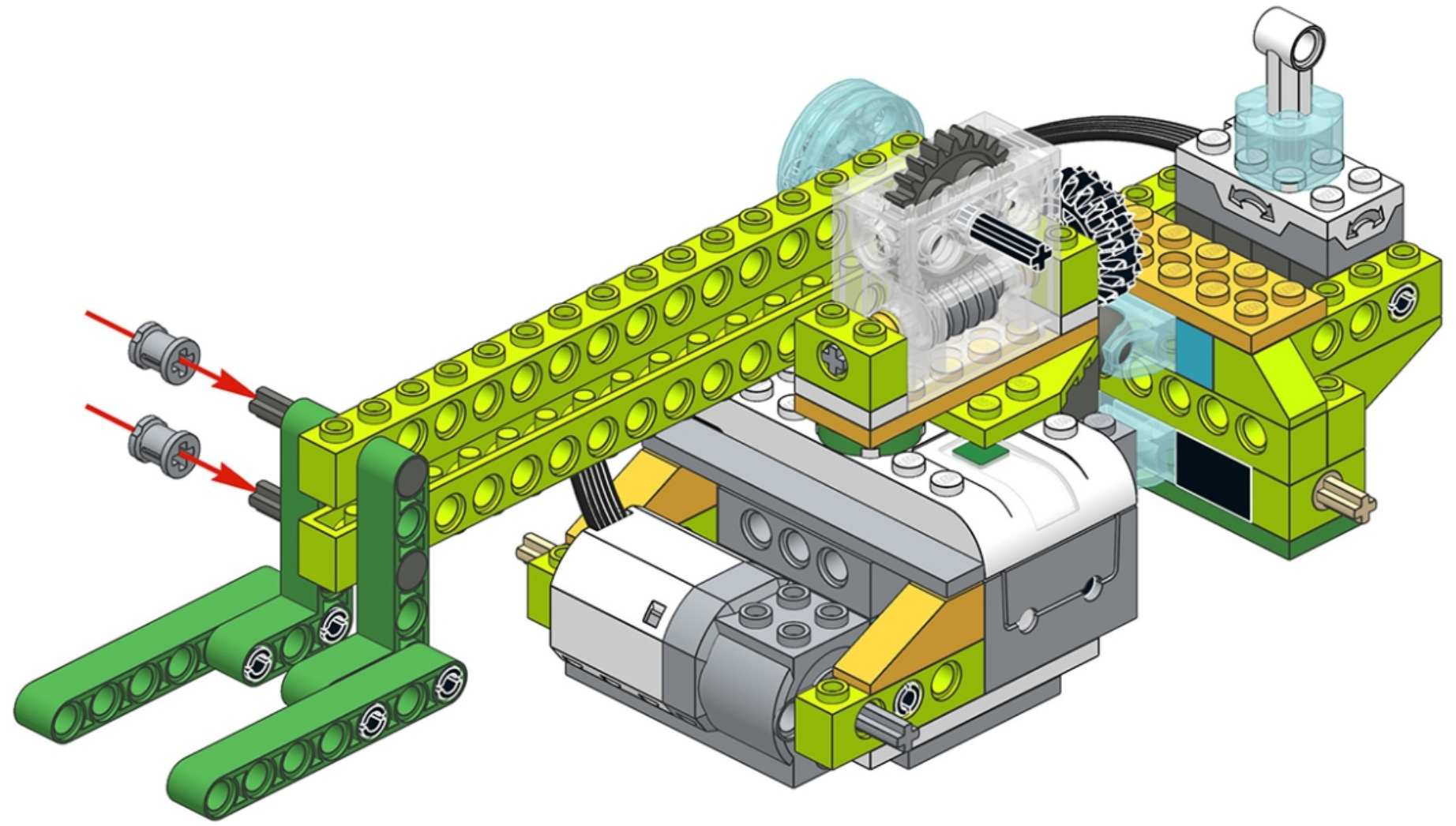


nerka@gm

ROBORISE-IT!
ROBOTIC EDUCATION

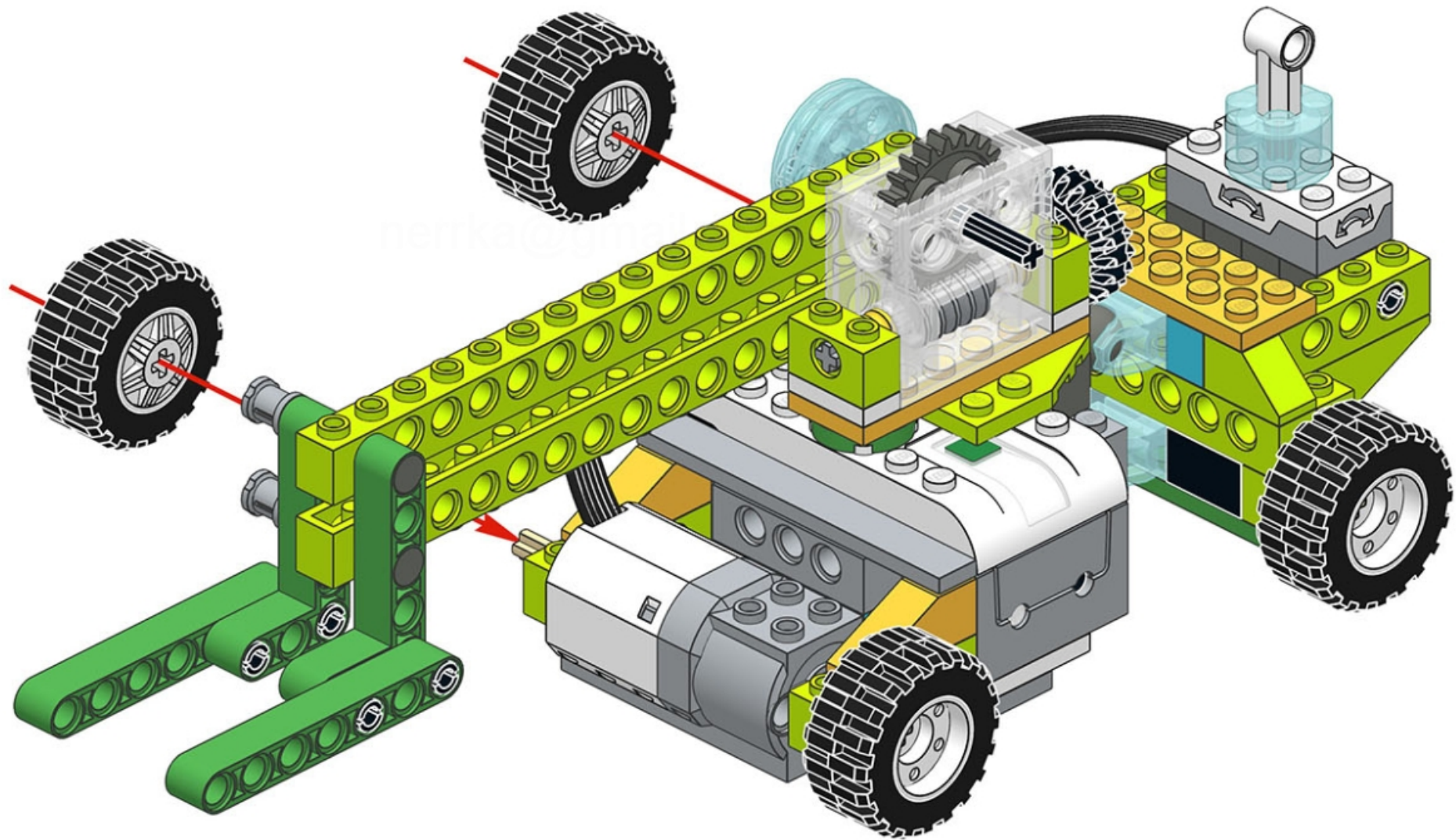


46





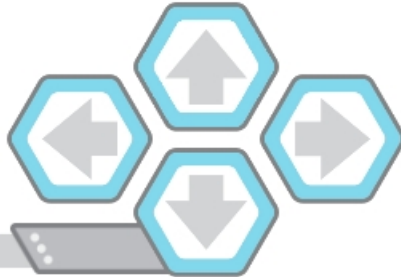
47



47/48

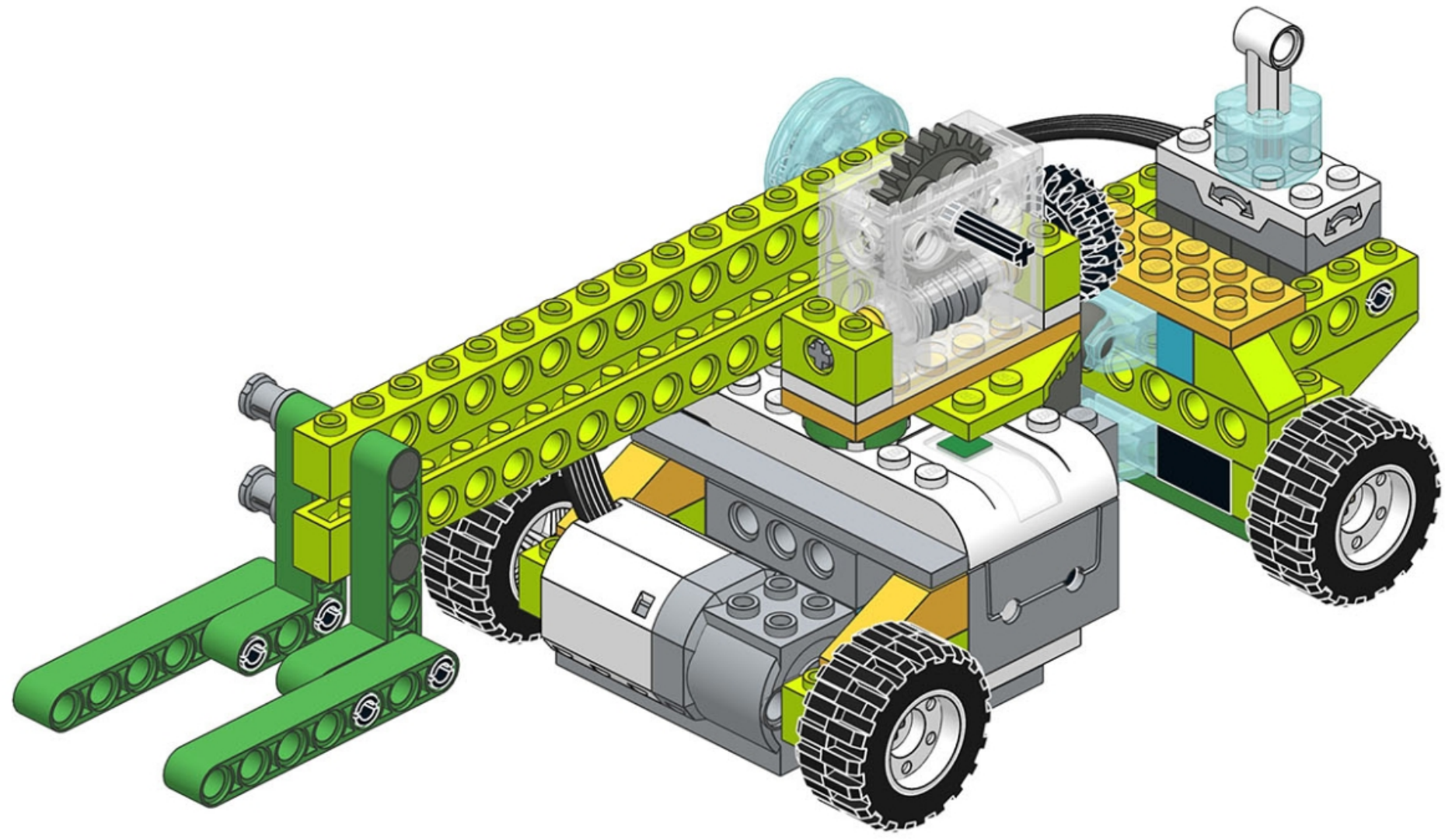
0

74





48



48/48

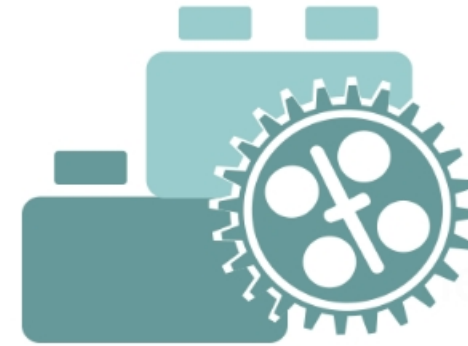
0

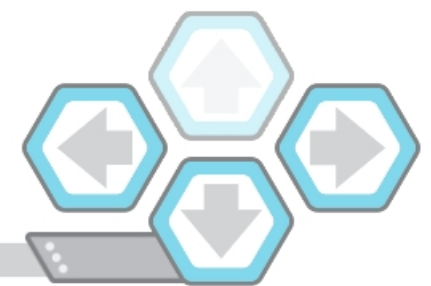
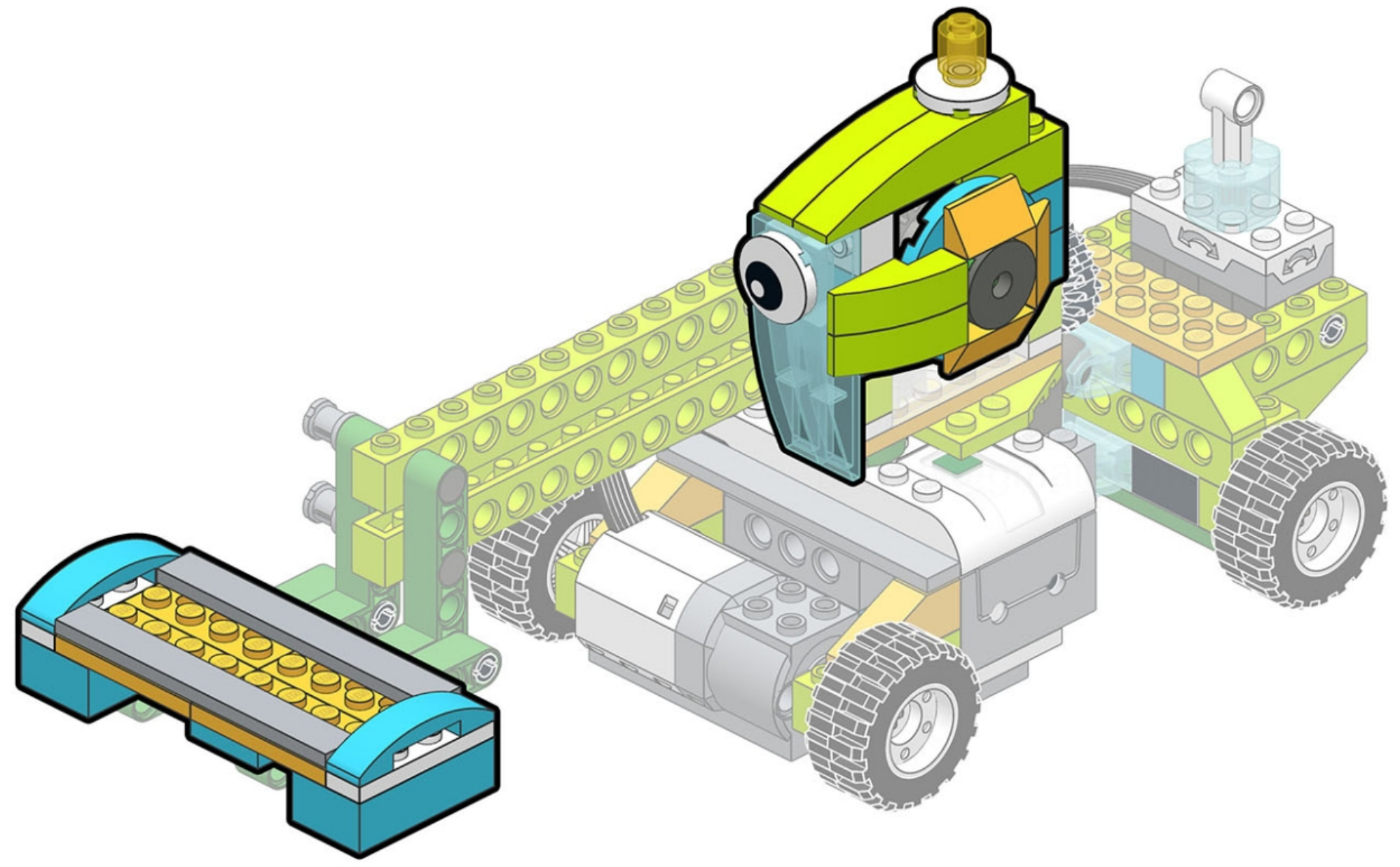
75

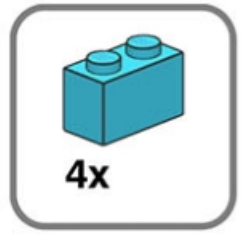


Enhanced version

Add the cabin glass and flashing beacon.

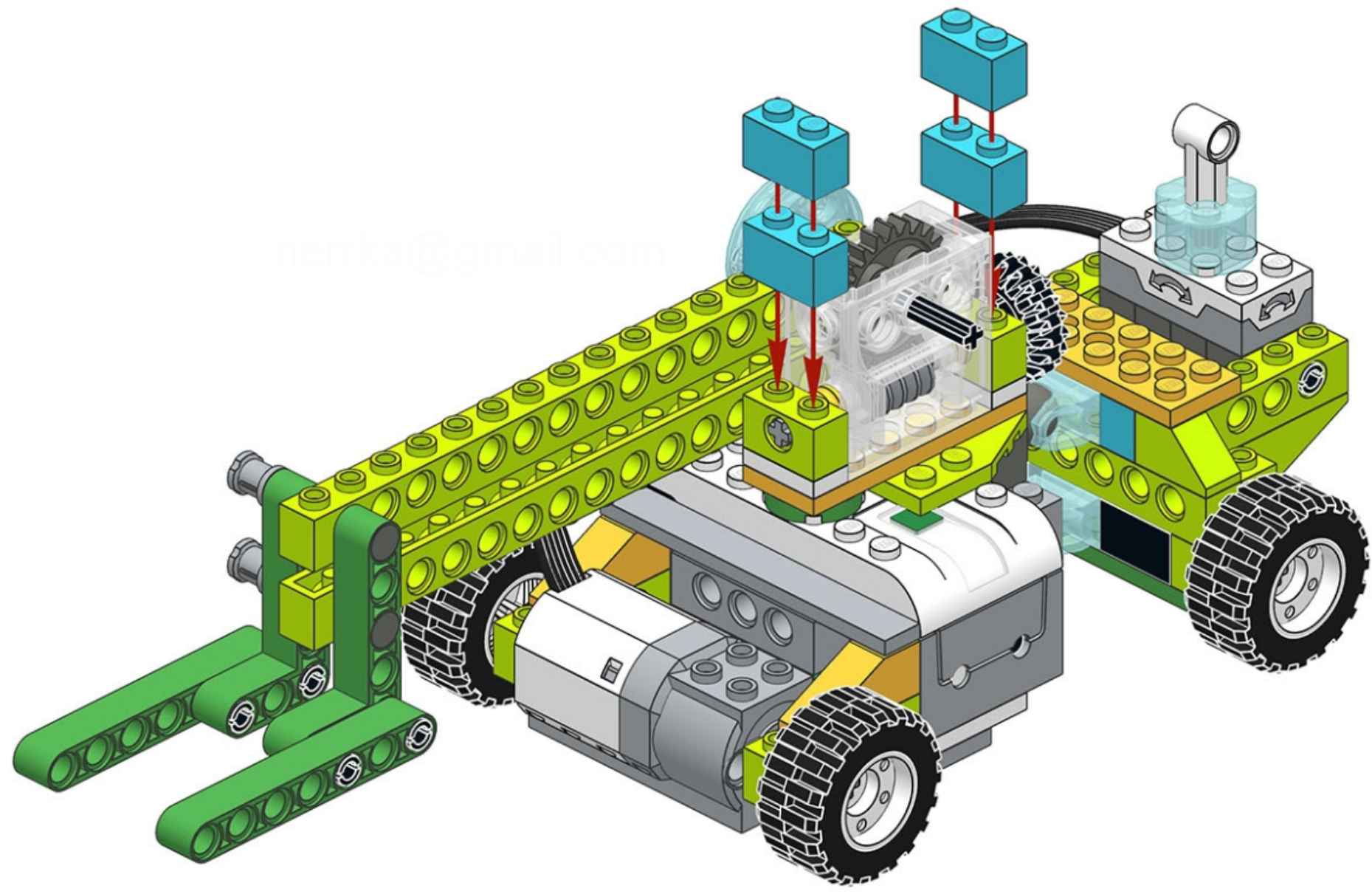






49

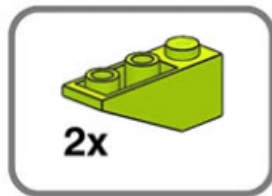
nerka@gmail.com



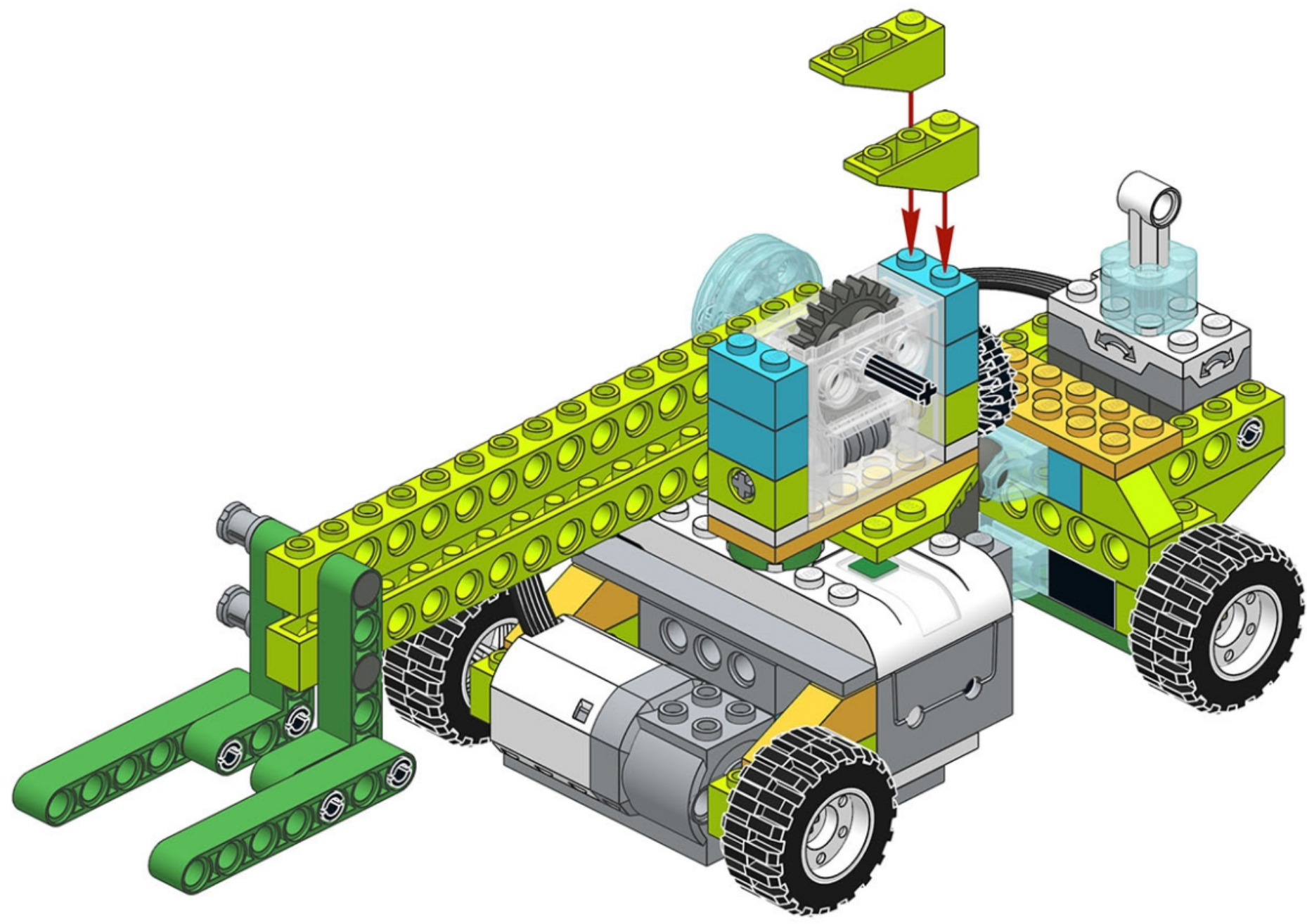
2/11

0

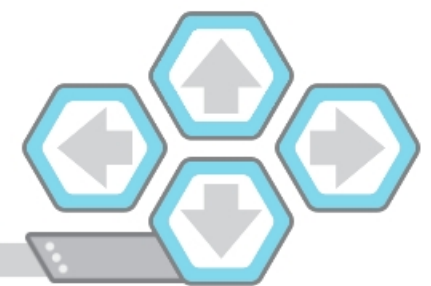
78

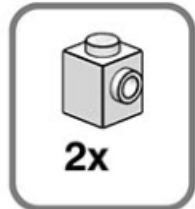


50

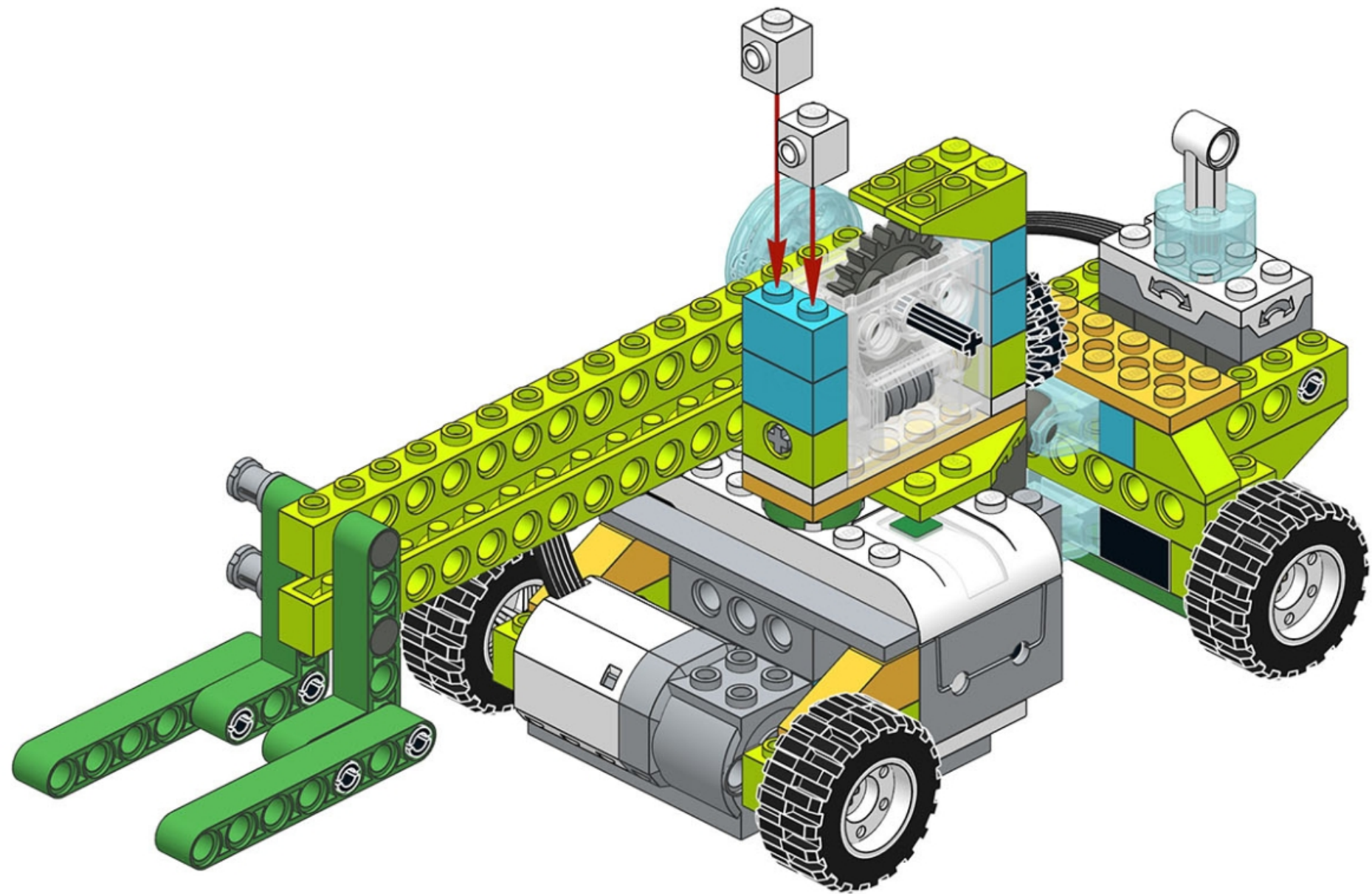


nerka@





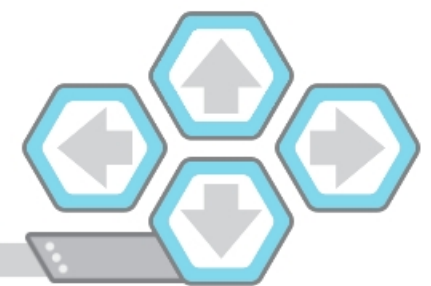
51



4/11

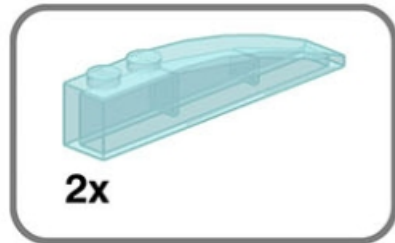
0

80

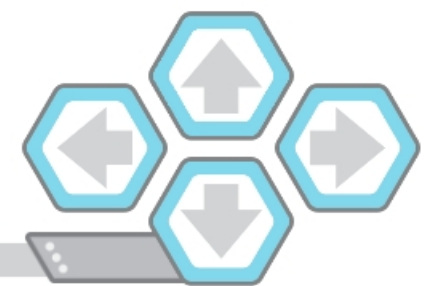
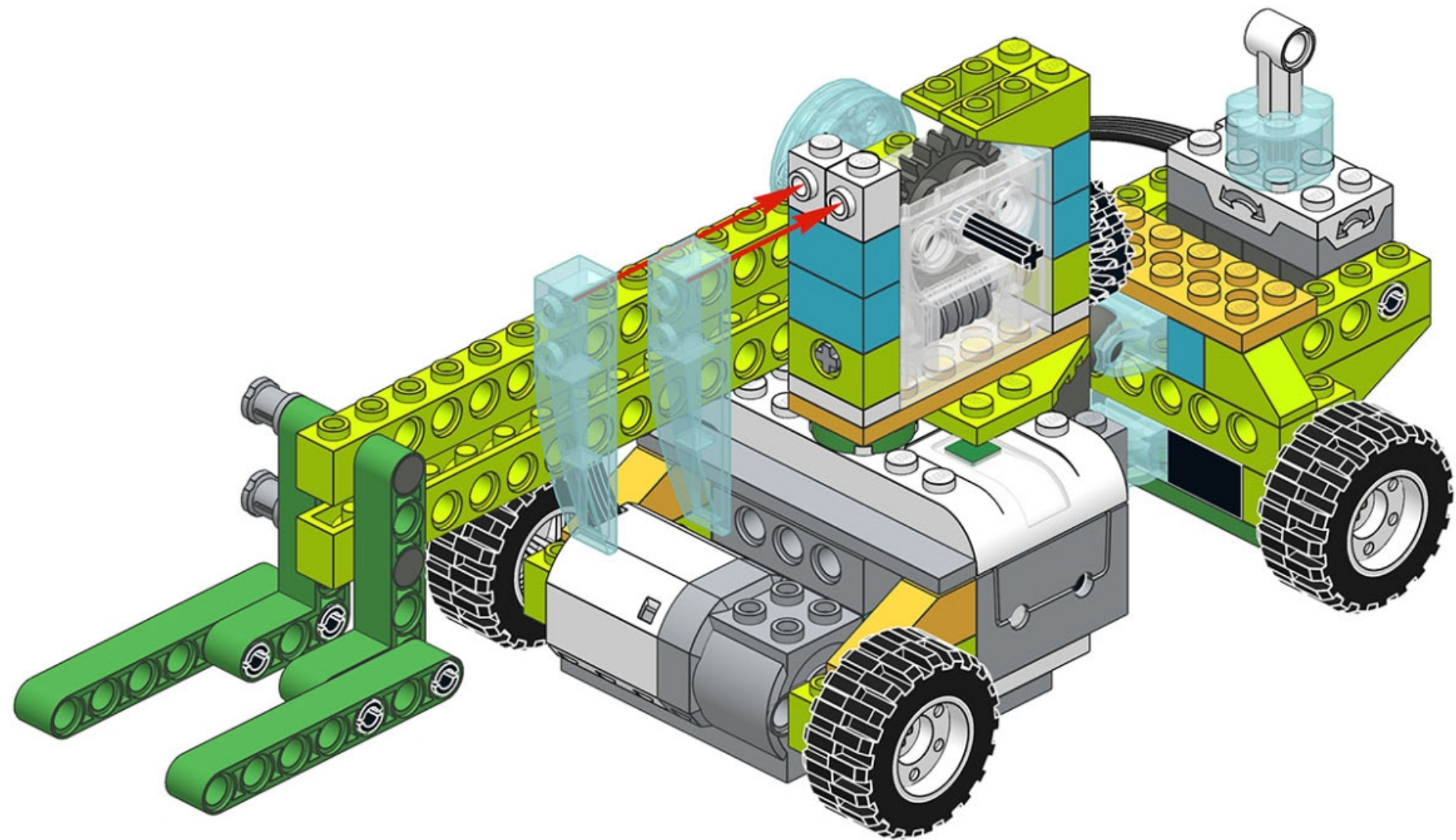


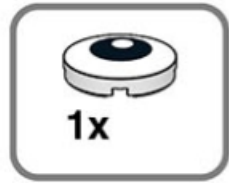


nerka@qiyi

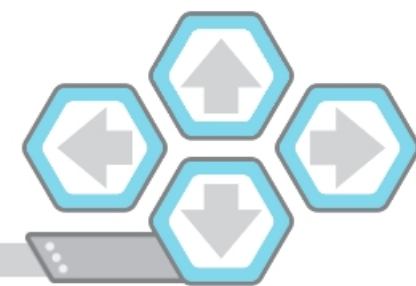
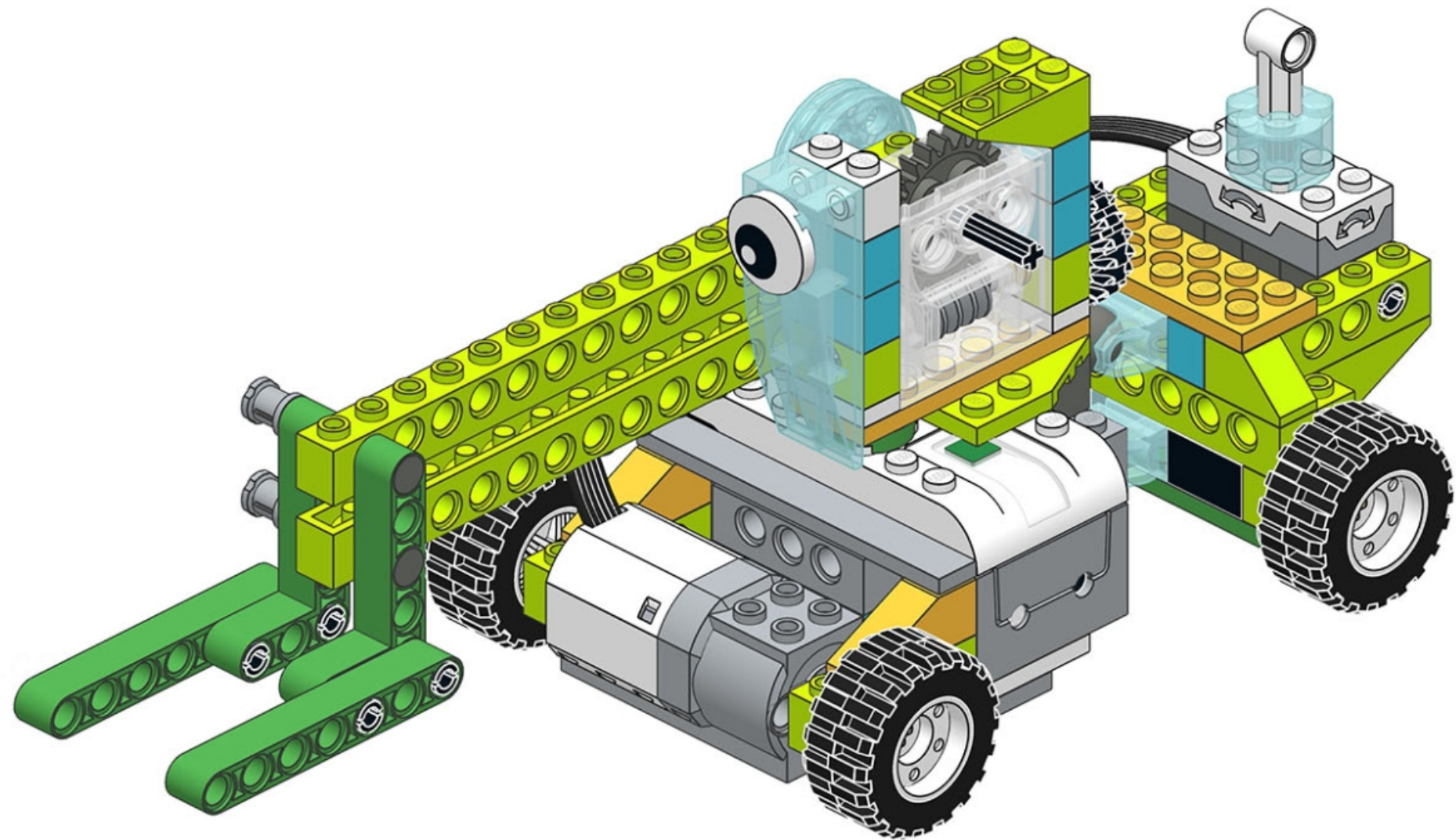


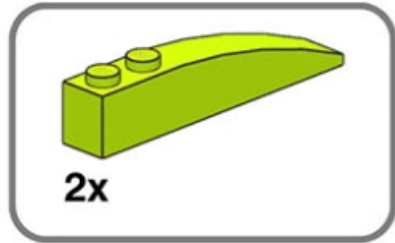
52



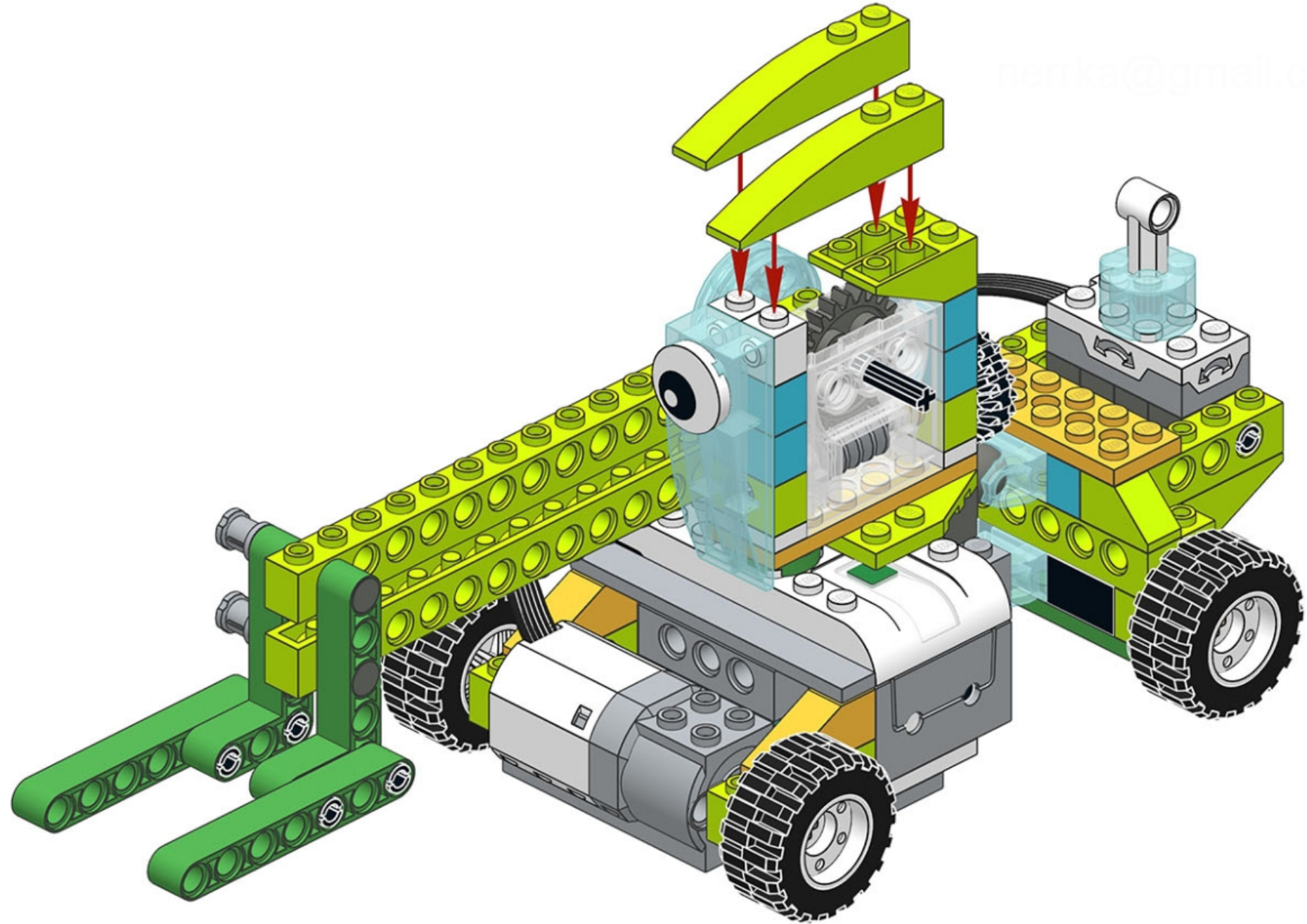


53





54

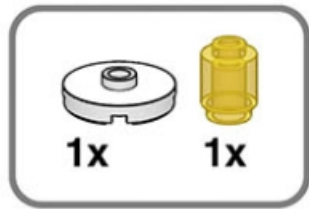


nerka@gmail.com

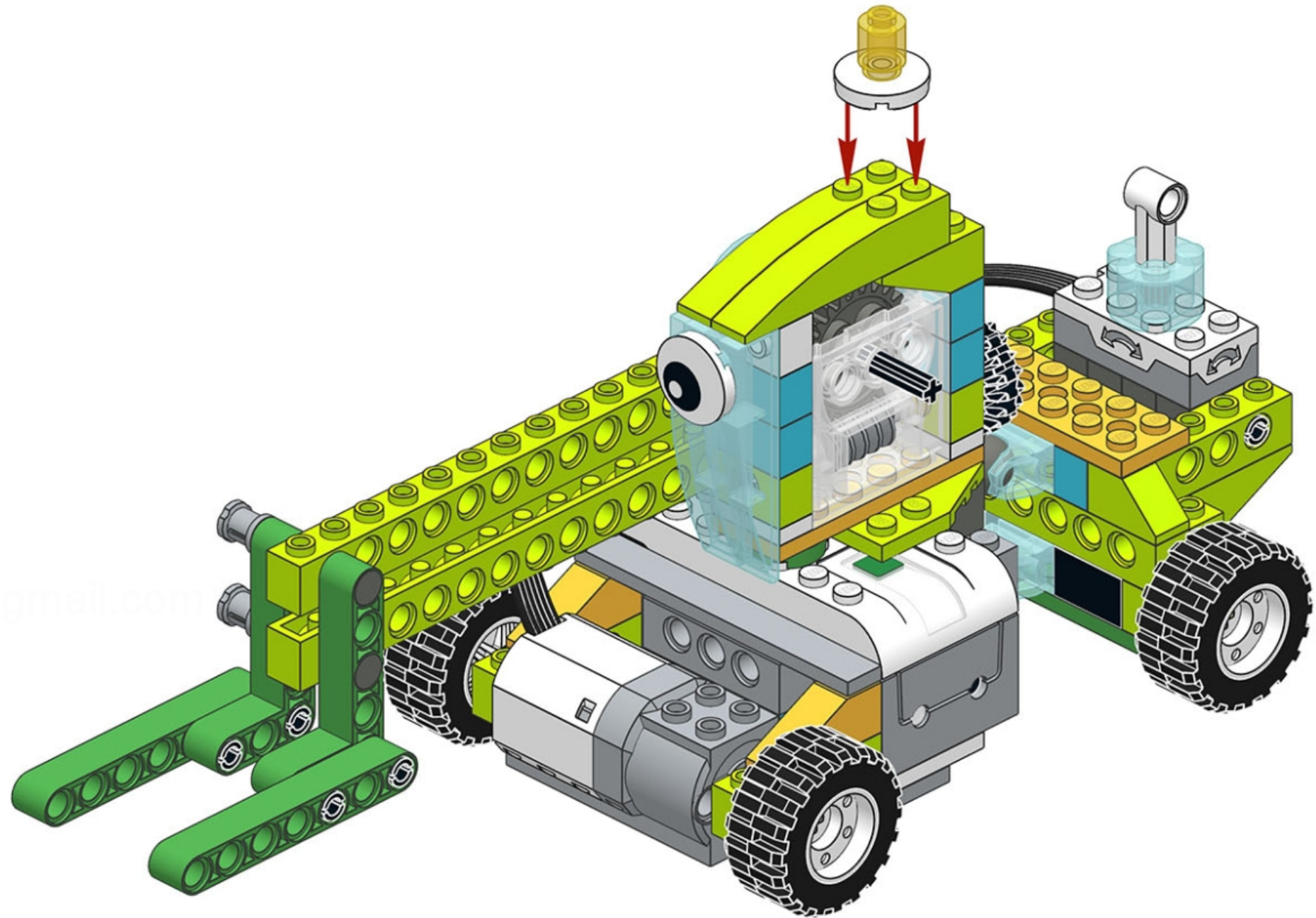
7/11

0

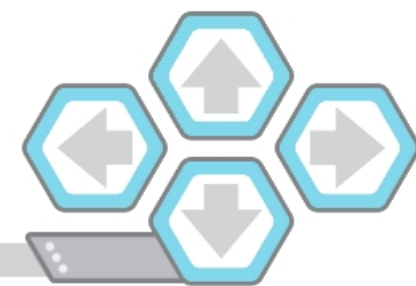
83

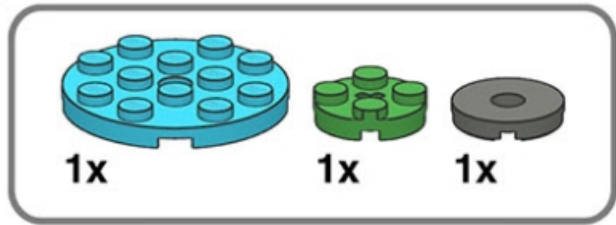


55

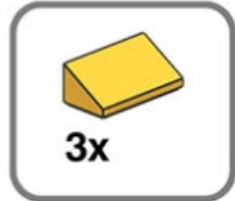
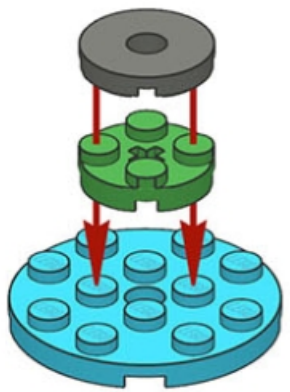


nerka@gmail.com

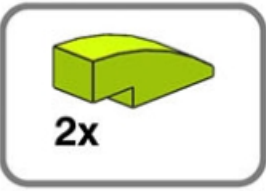
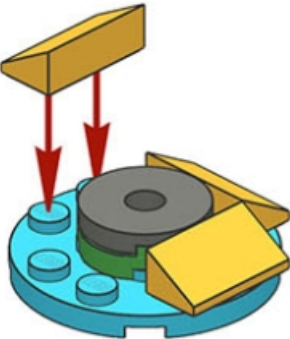




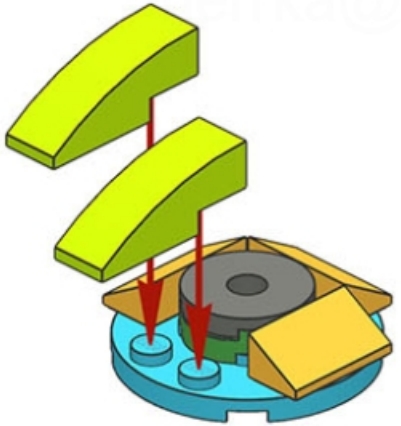
1



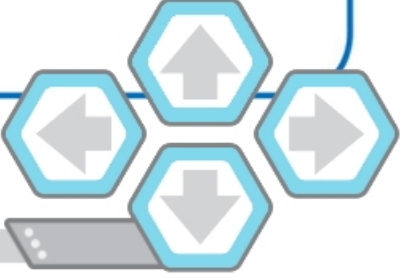
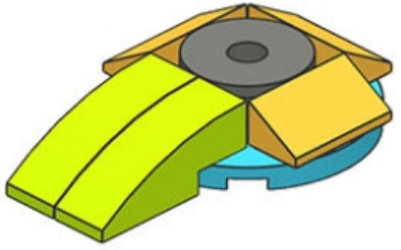
2



3

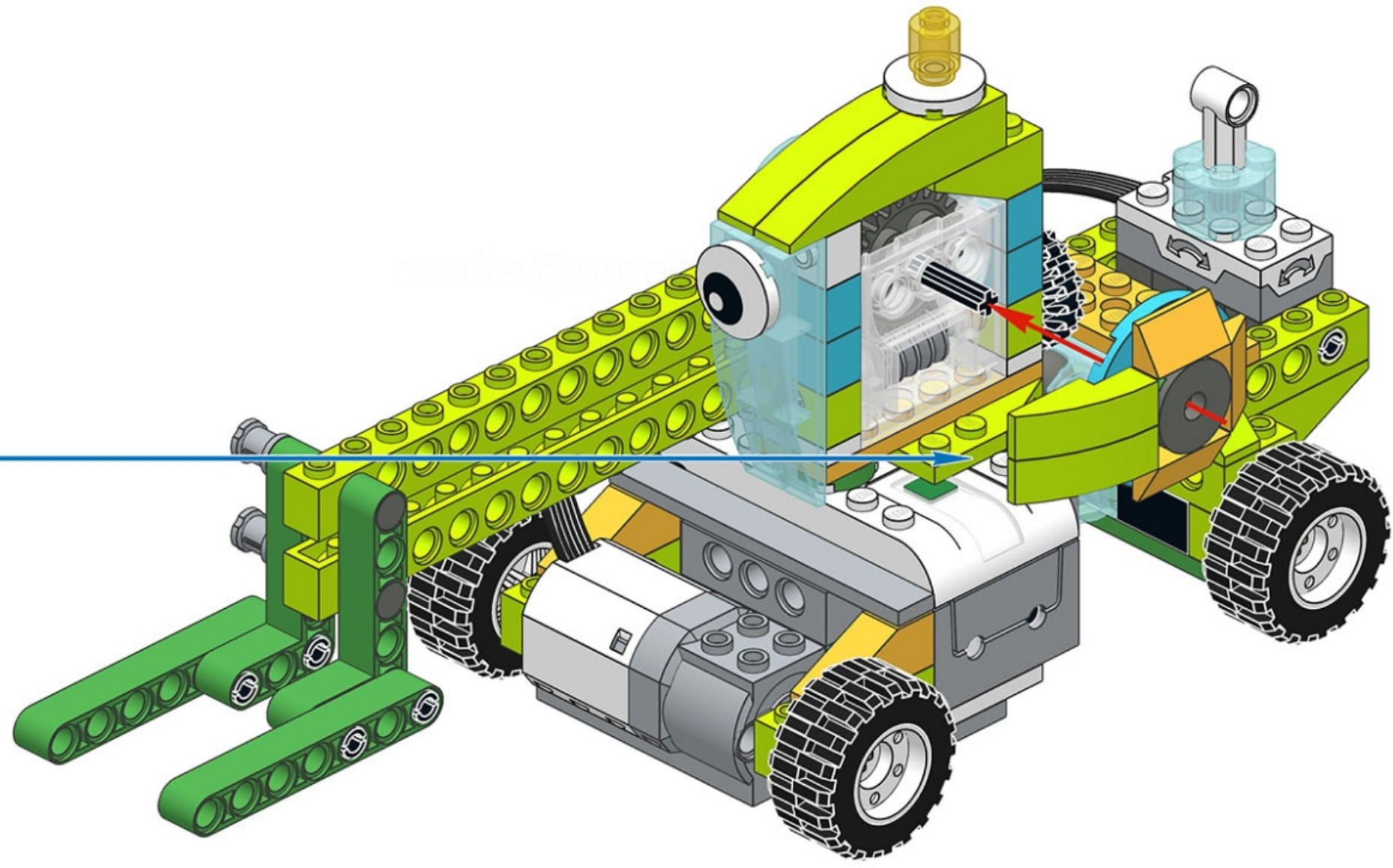


4





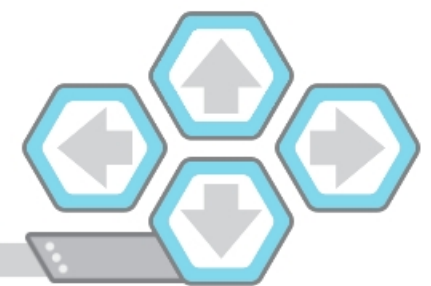
57



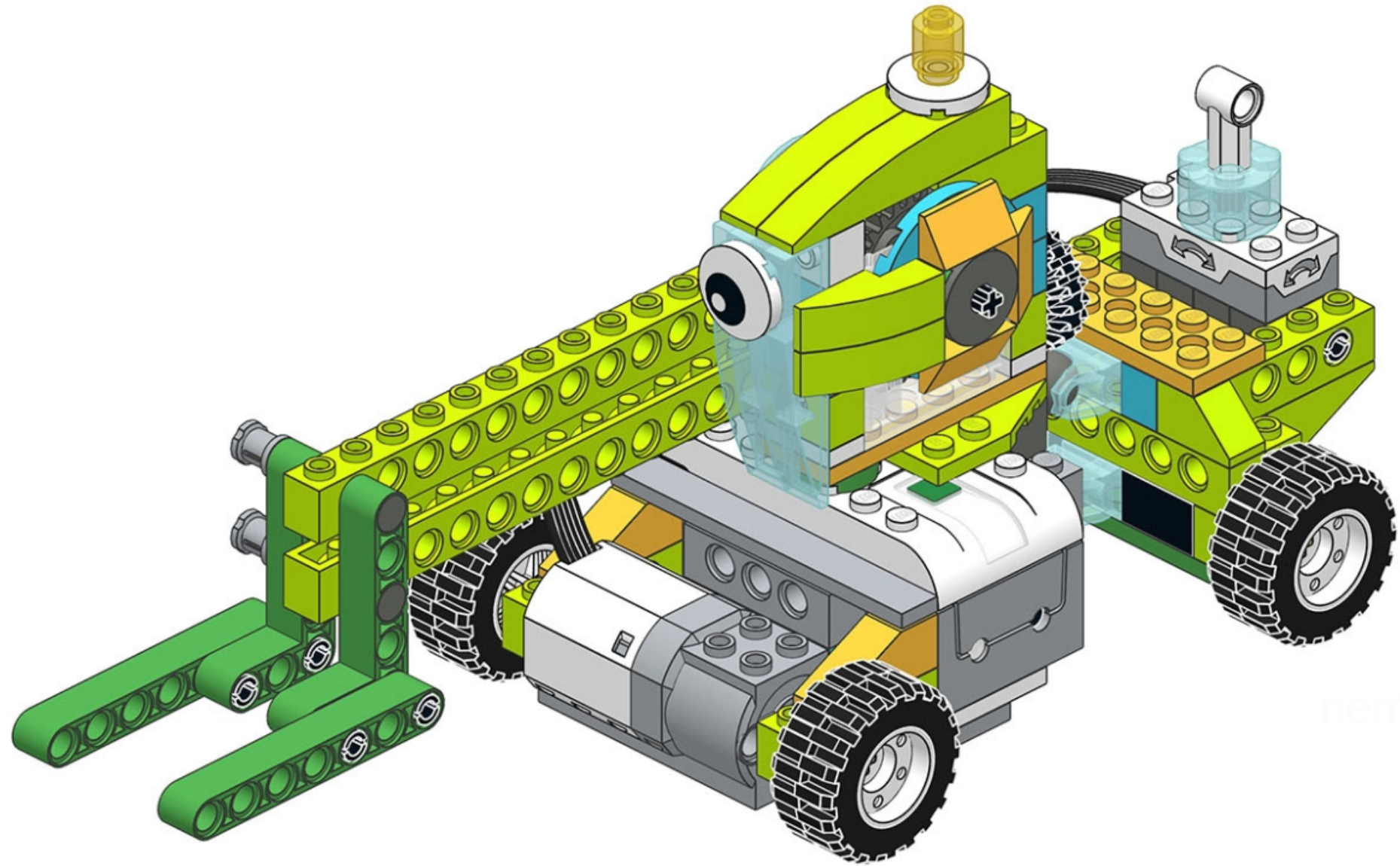
10/11



86



58

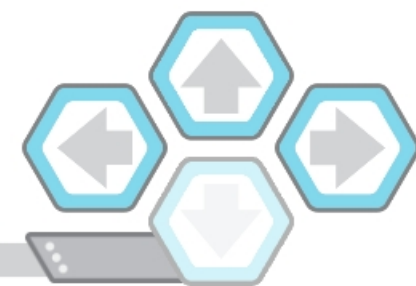


nerka@gmail.com

11/11

0

87





Pallet

Build the pallet!

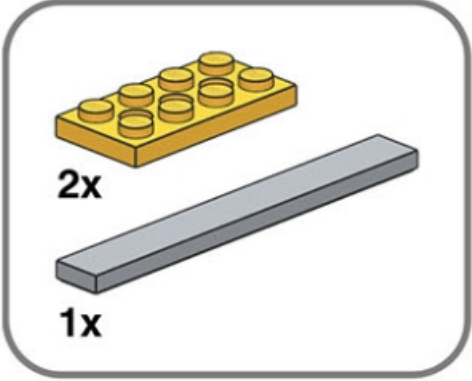


0

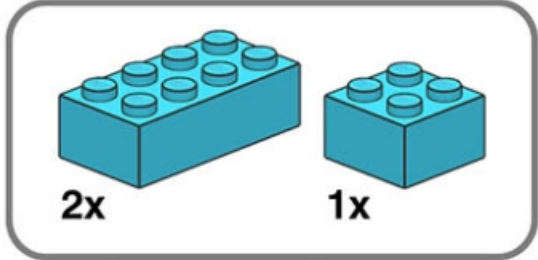
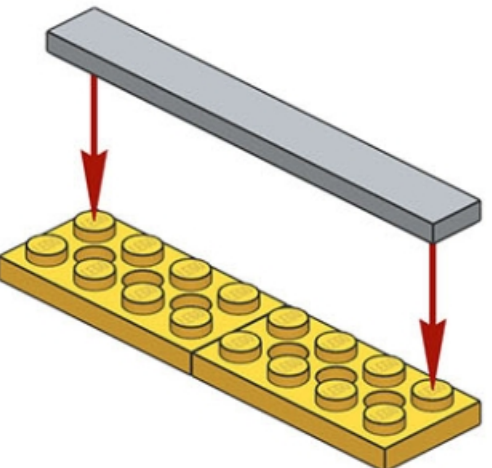


88



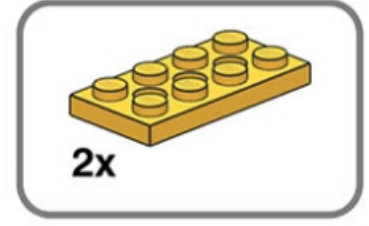
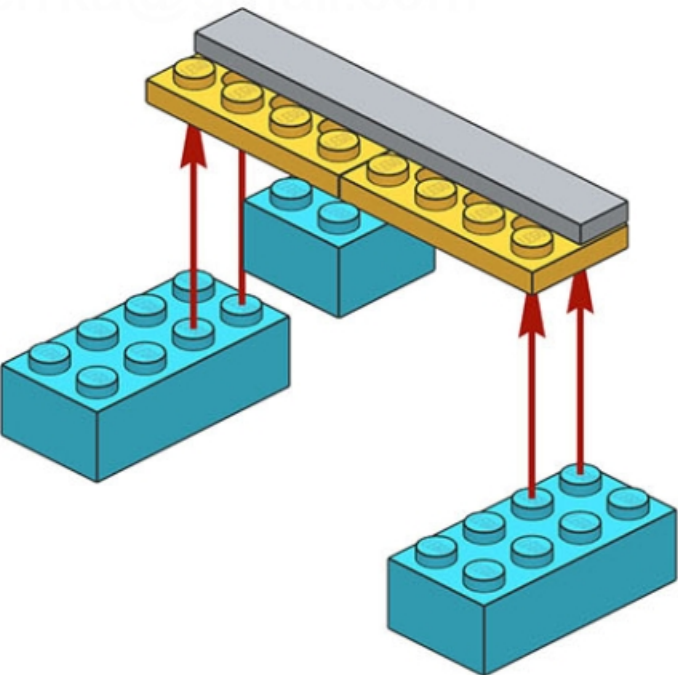


1

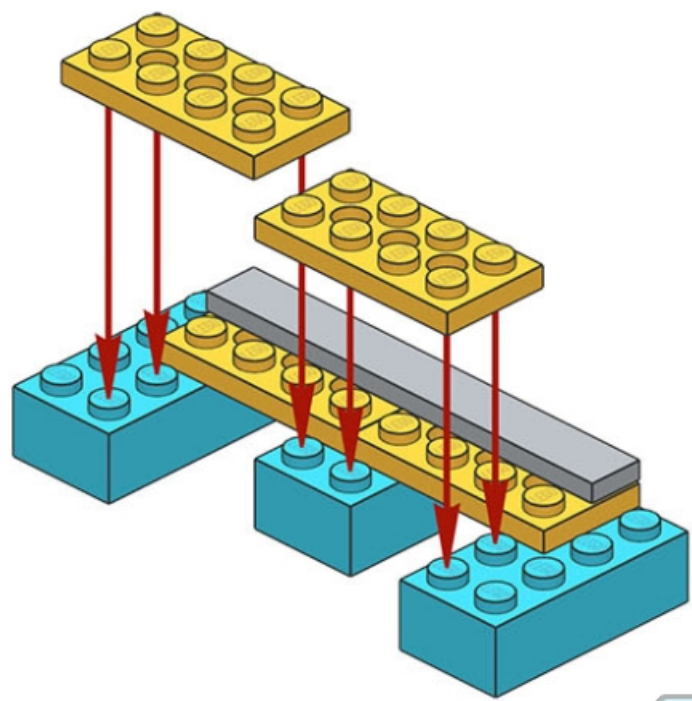


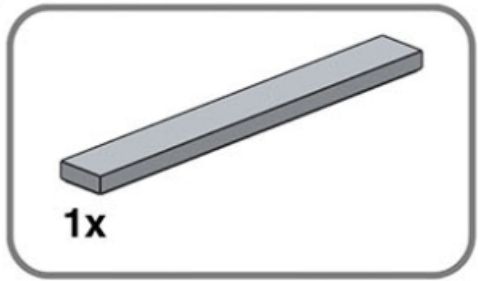
2

nerrka@gmail.com

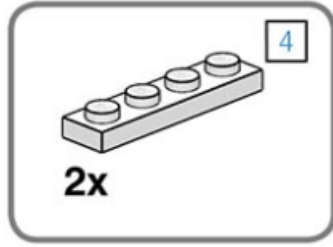
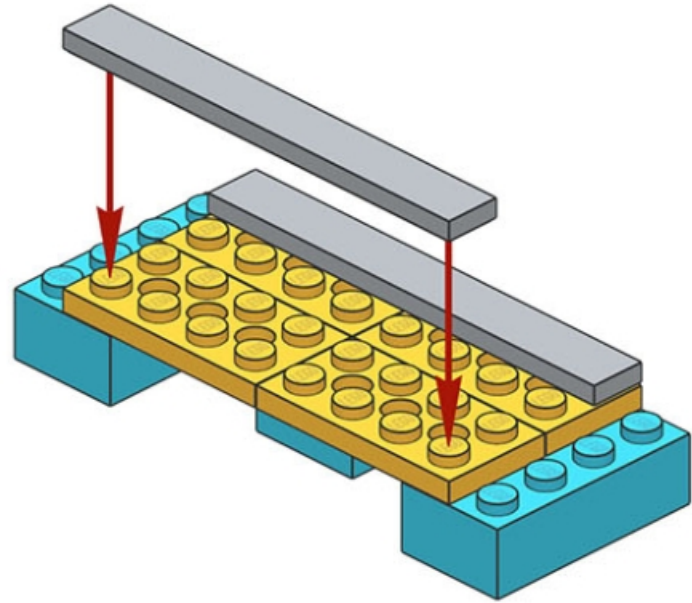


3

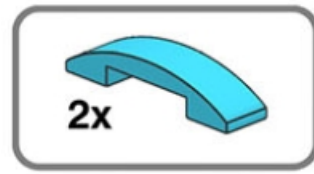
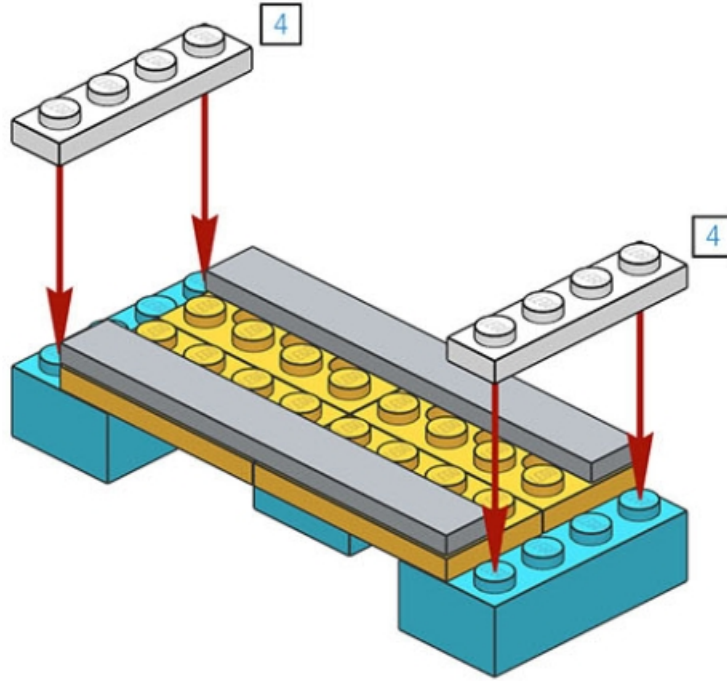




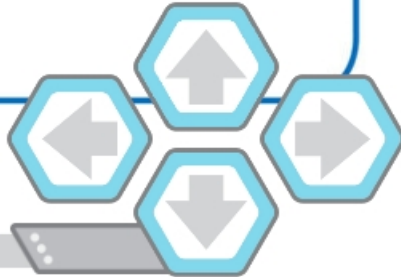
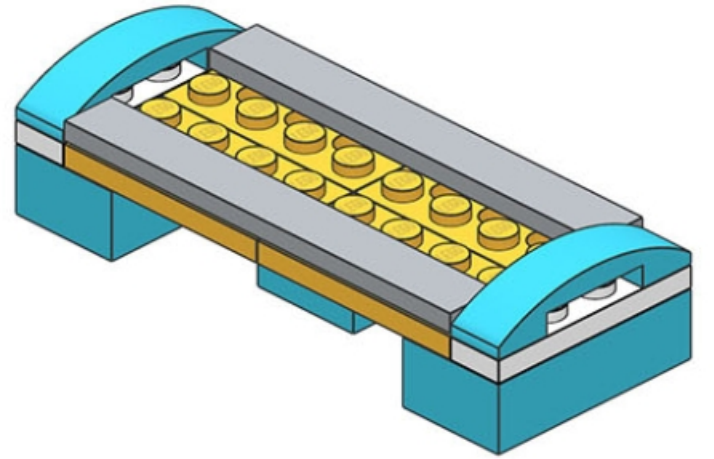
4



5



6



61

