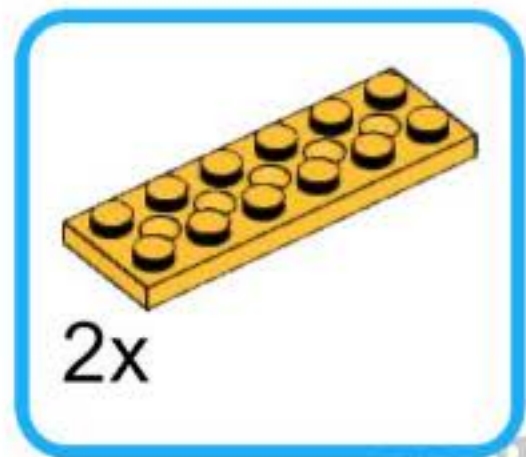


robotic model all-wheel drive car
unofficial building instruction



RangeRover

for Lego® WeDo 2.0

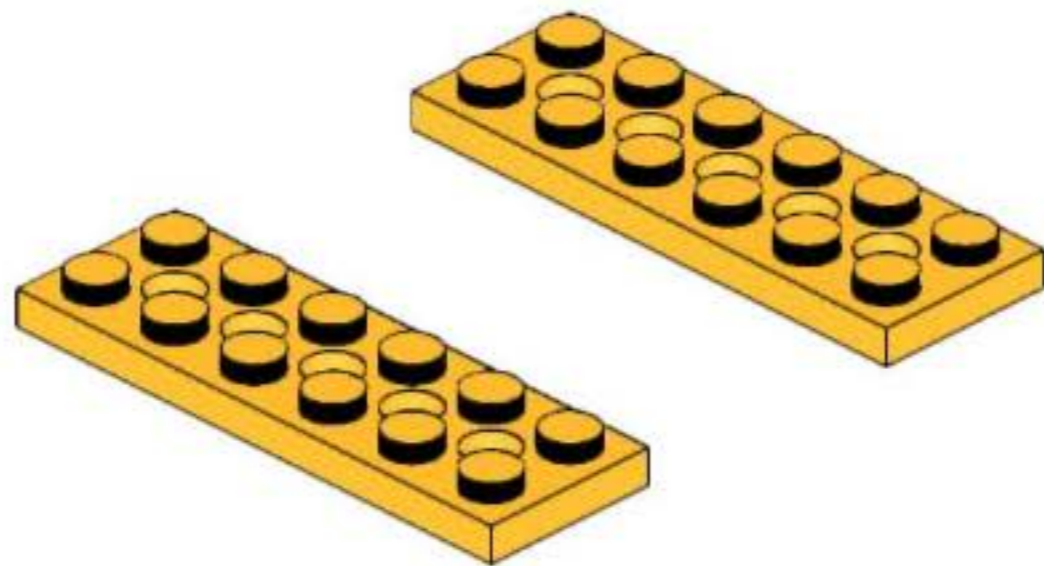


2x

Gergert's lab

Gergert's lab

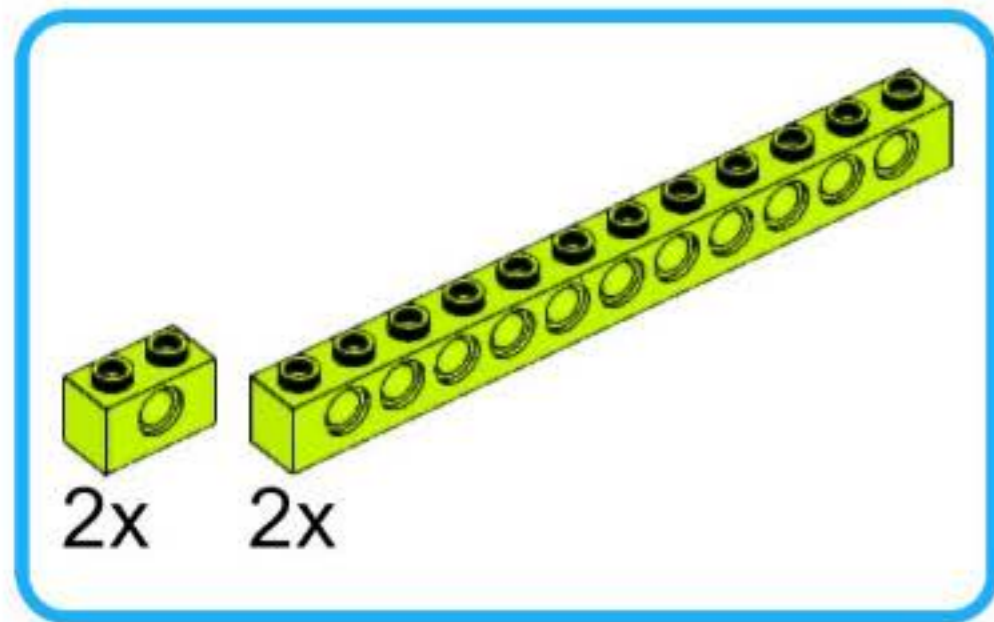
Gergert's lab



Gergert's lab

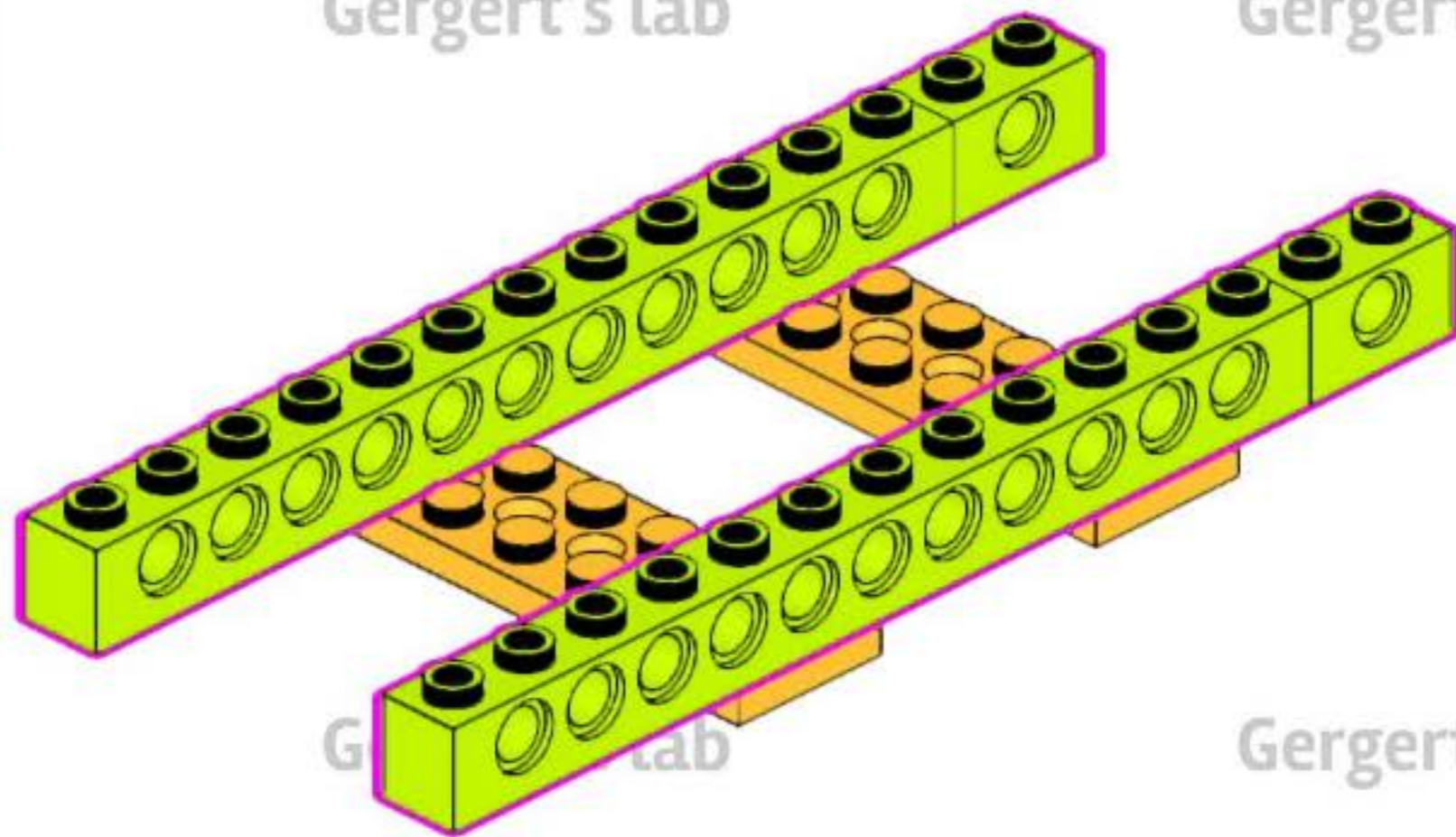
Gergert's lab

Gergert's lab



Gergert's lab

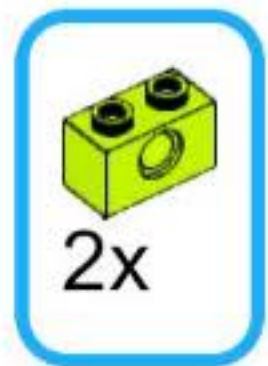
Gergert's lab



Gergert's lab

Gergert's lab

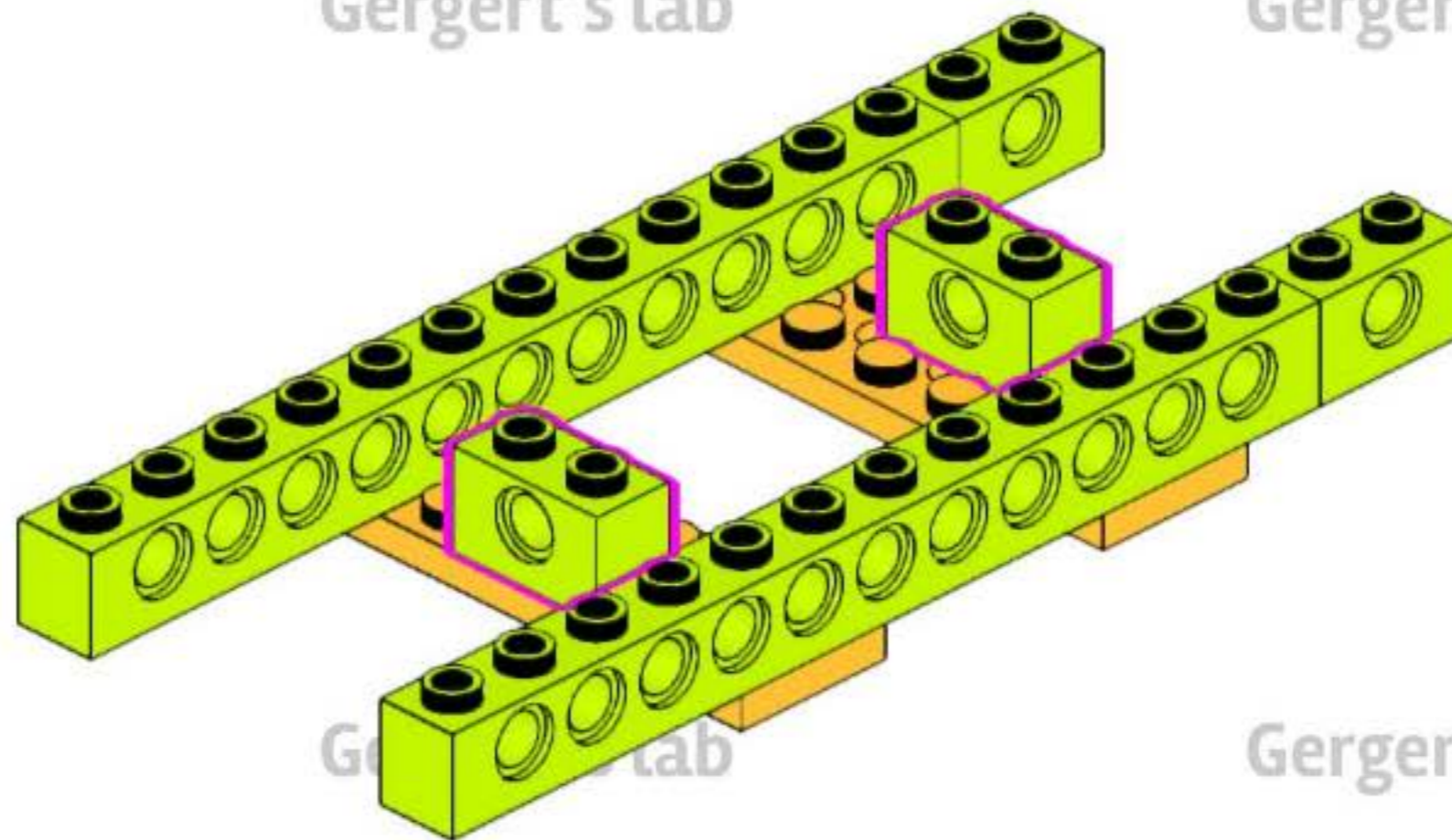
Gergert's lab



Gergert's lab

Gergert's lab

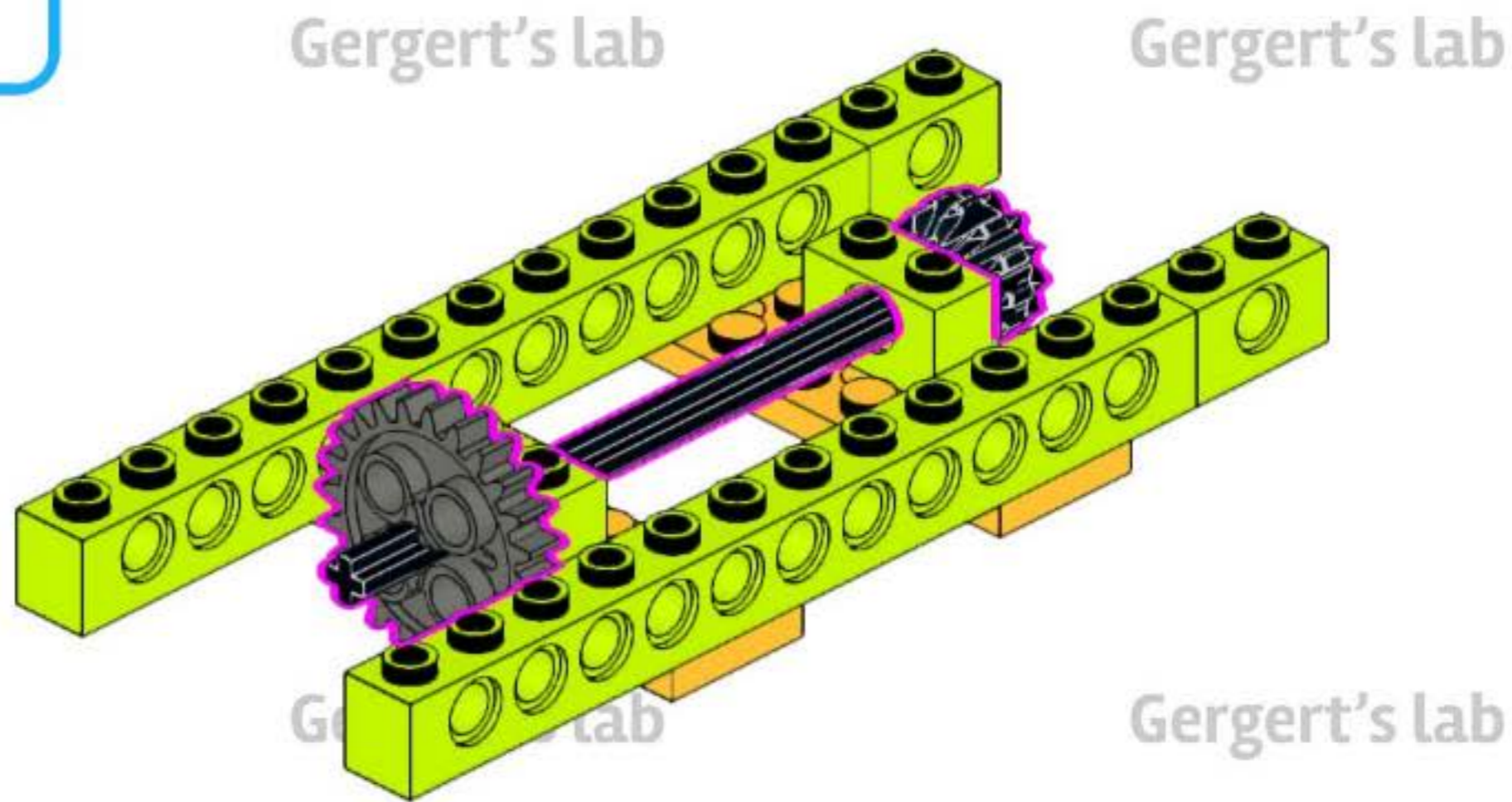
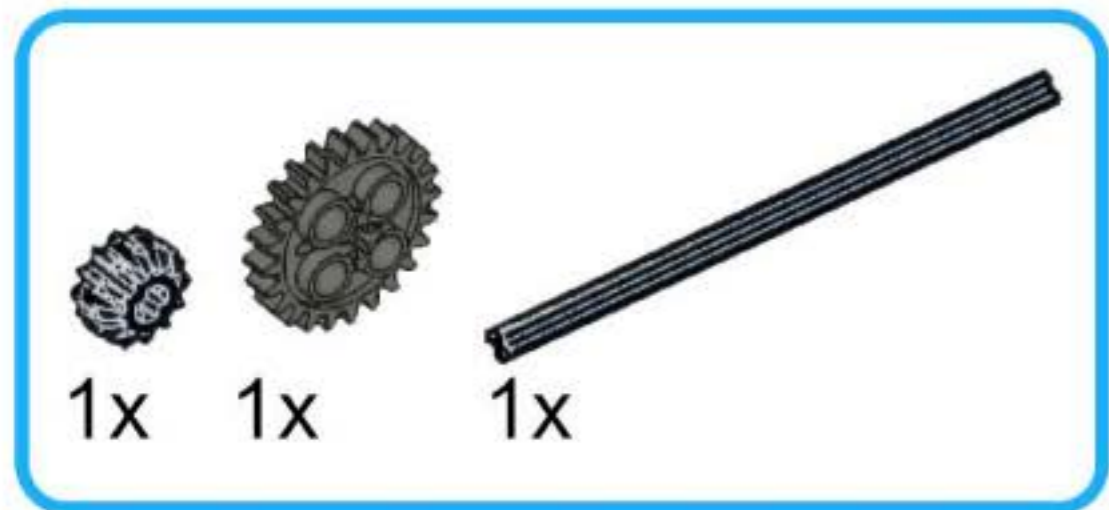
Gergert's lab



Gergert's lab

Gergert's lab

Gergert's lab

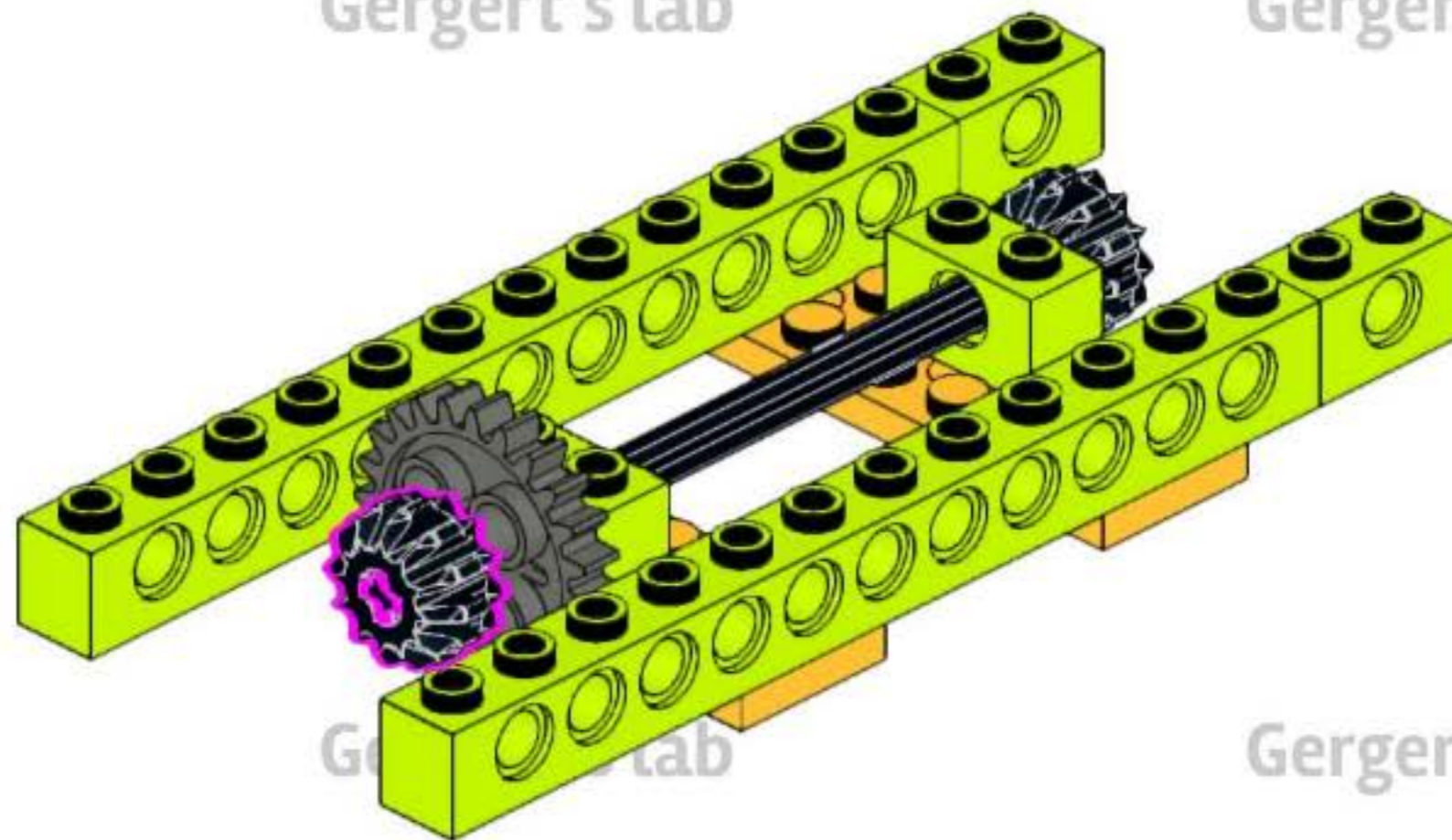




Gergert's lab

Gergert's lab

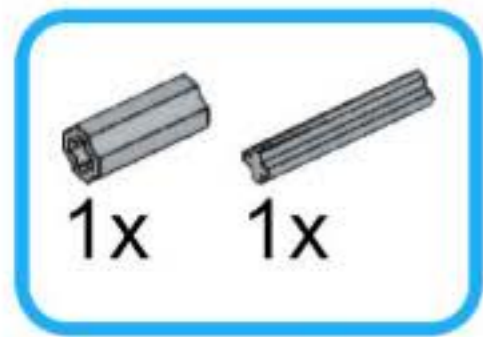
Gergert's lab



Gergert's lab

Gergert's lab

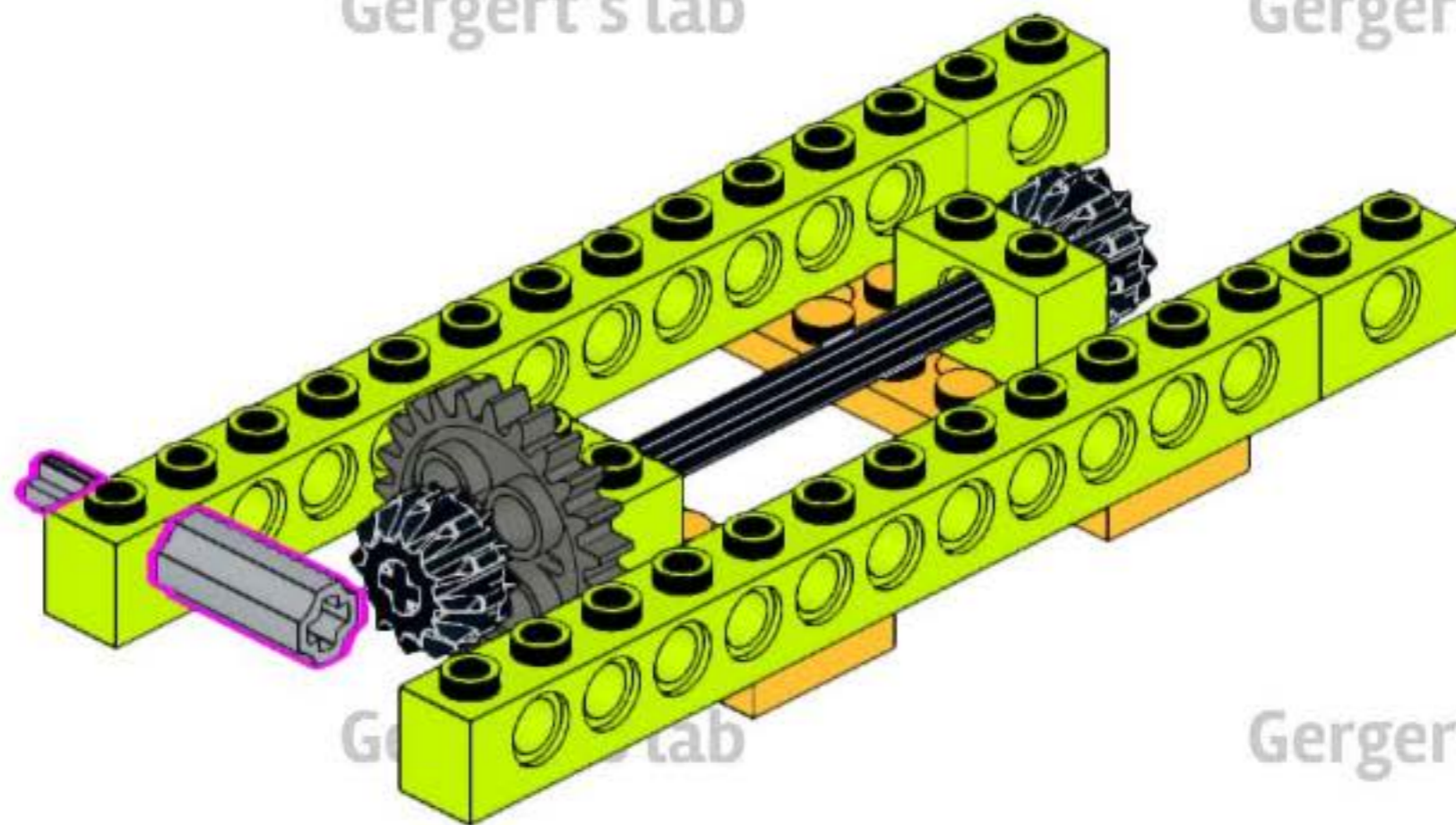
Gergert's lab



Gergert's lab

Gergert's lab

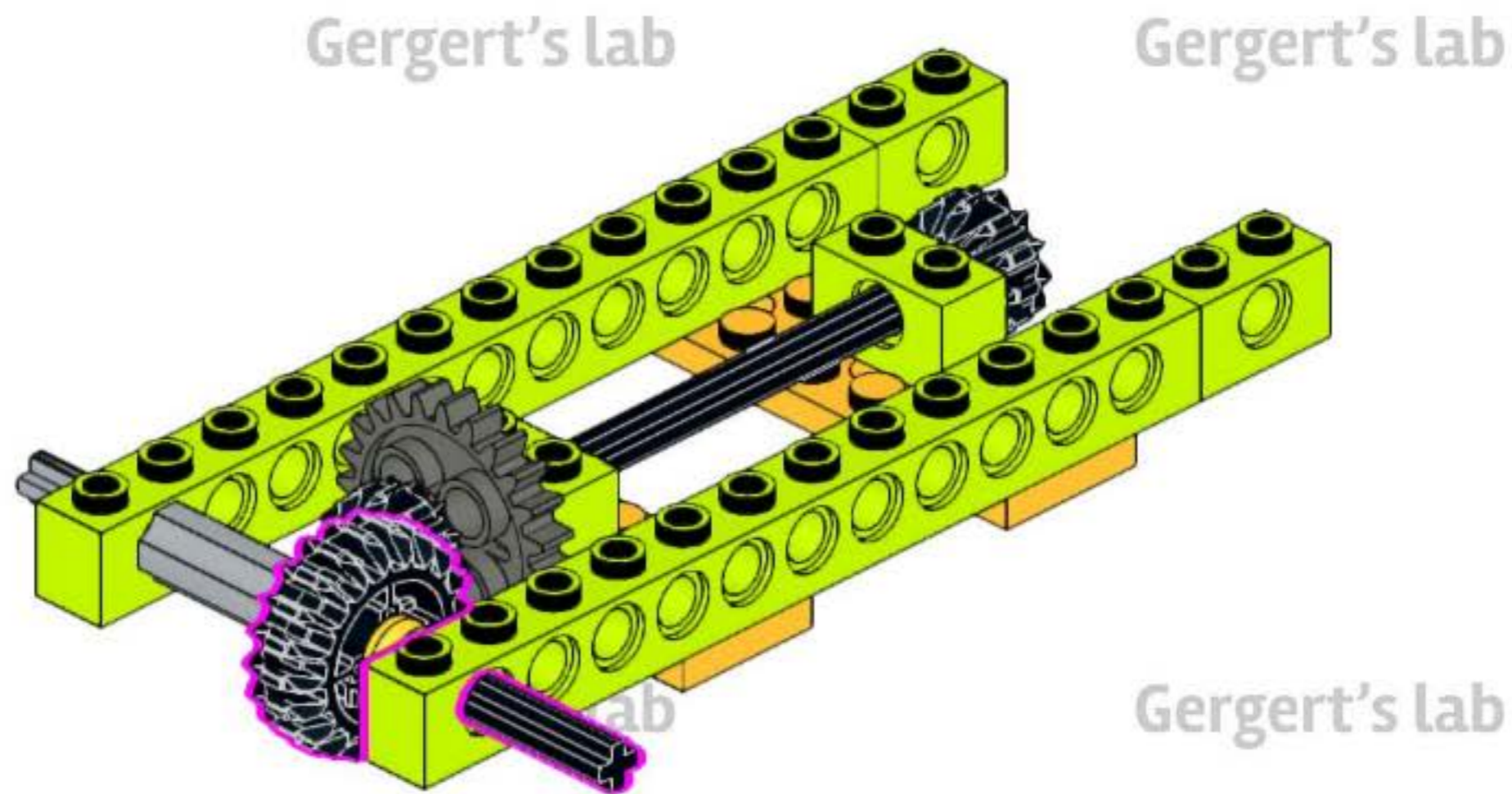
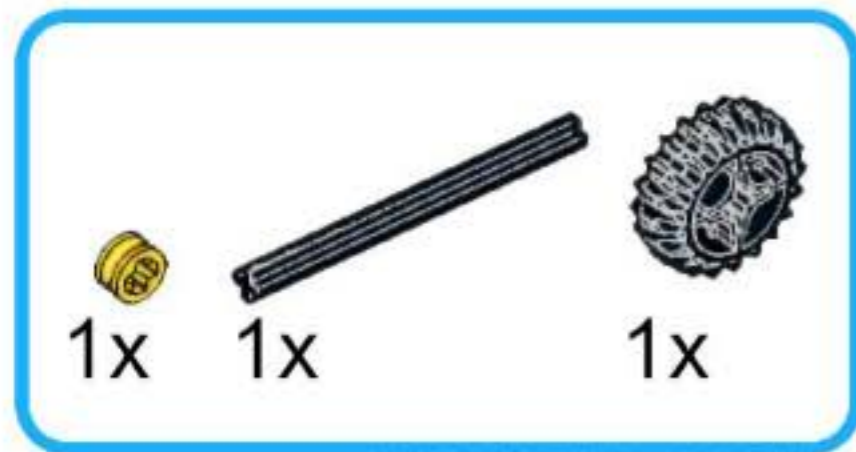
Gergert's lab

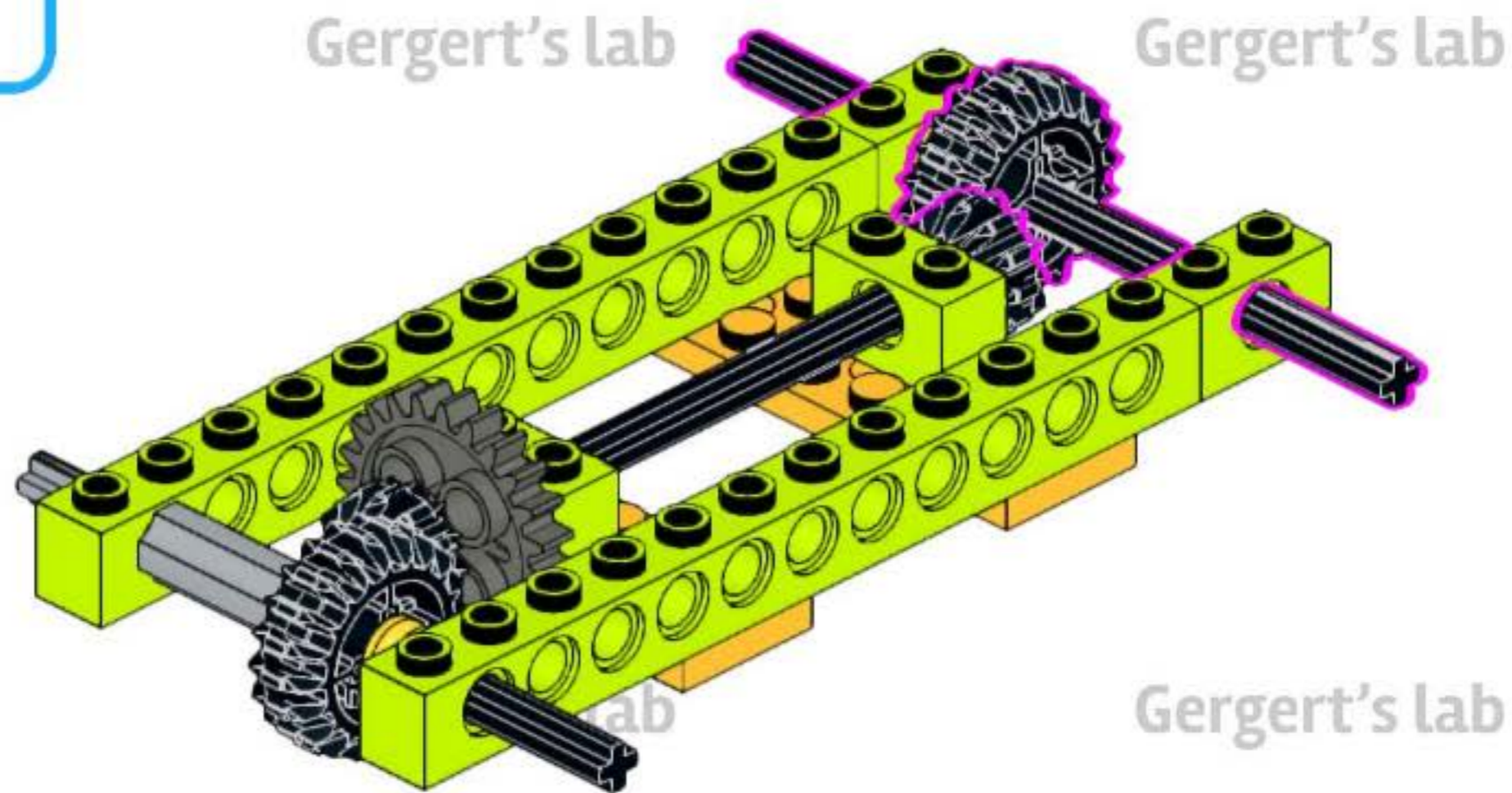
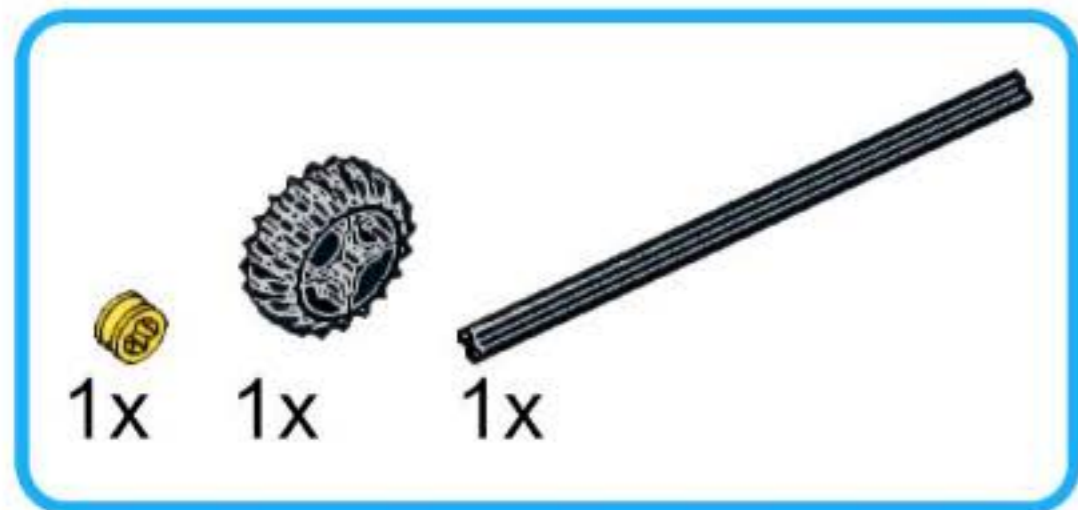


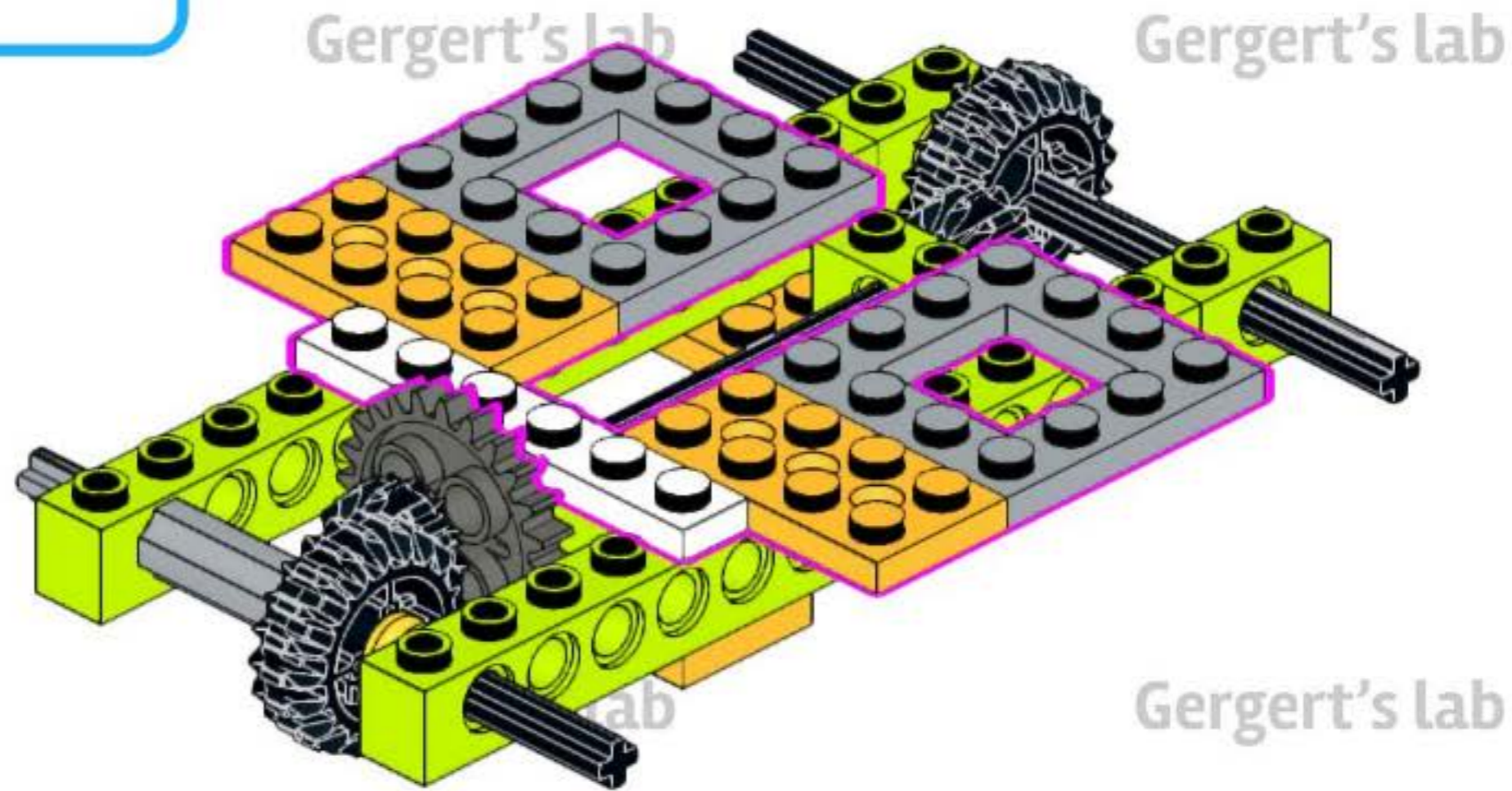
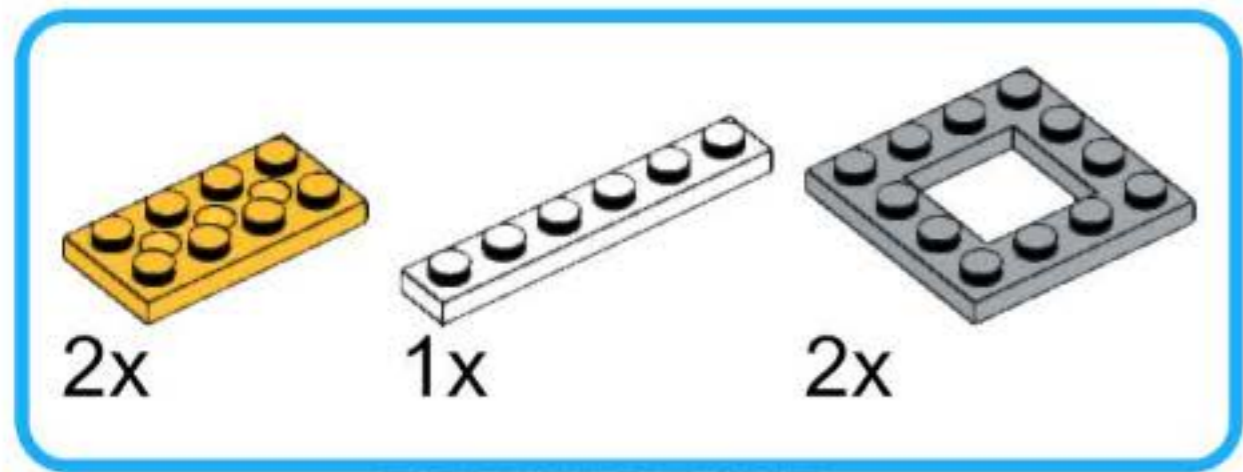
Gergert's lab

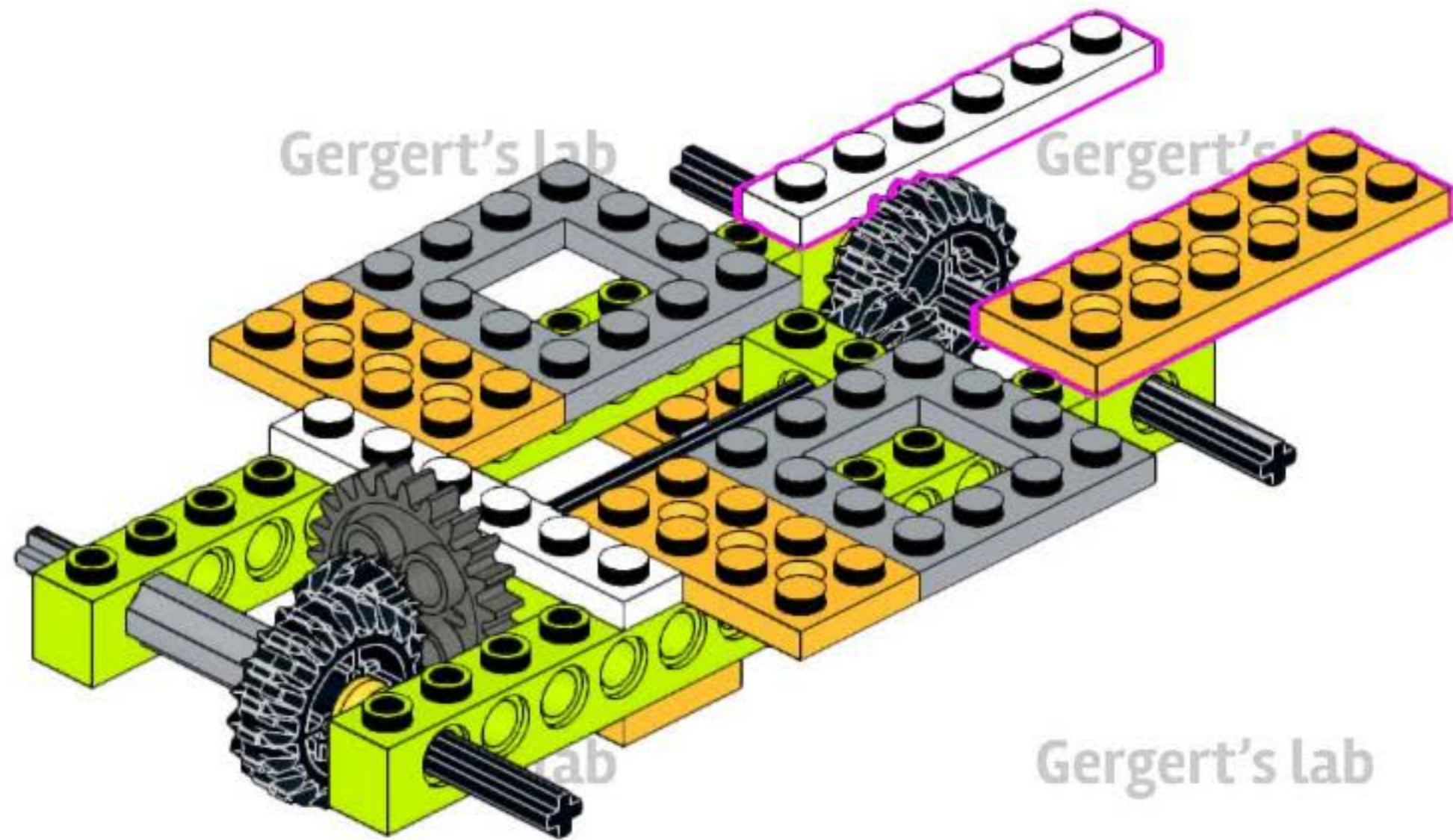
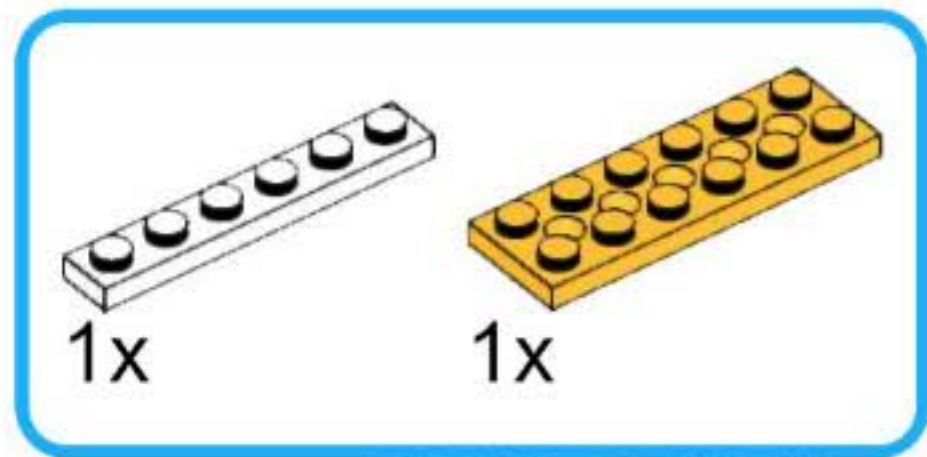
Gergert's lab

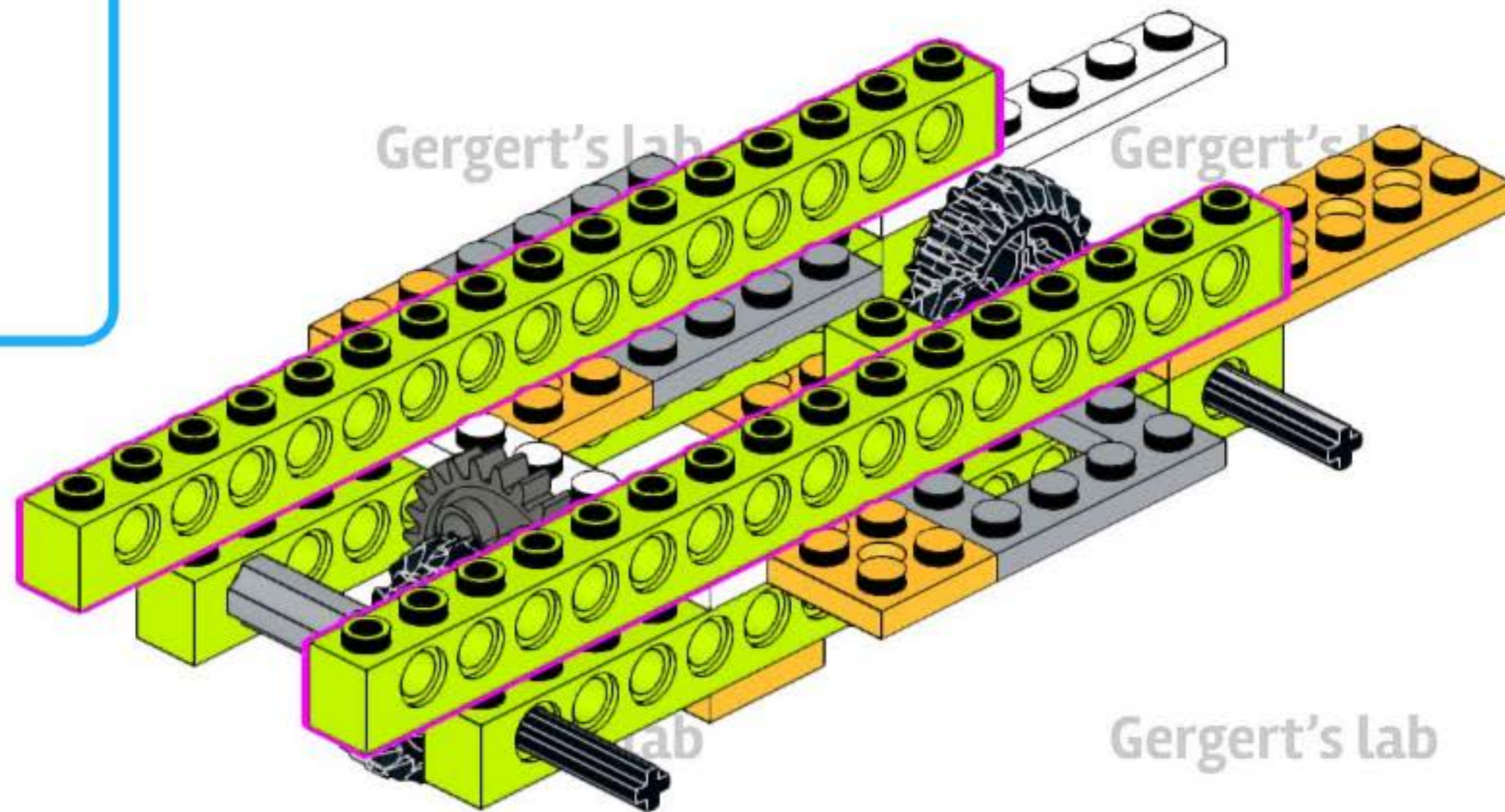
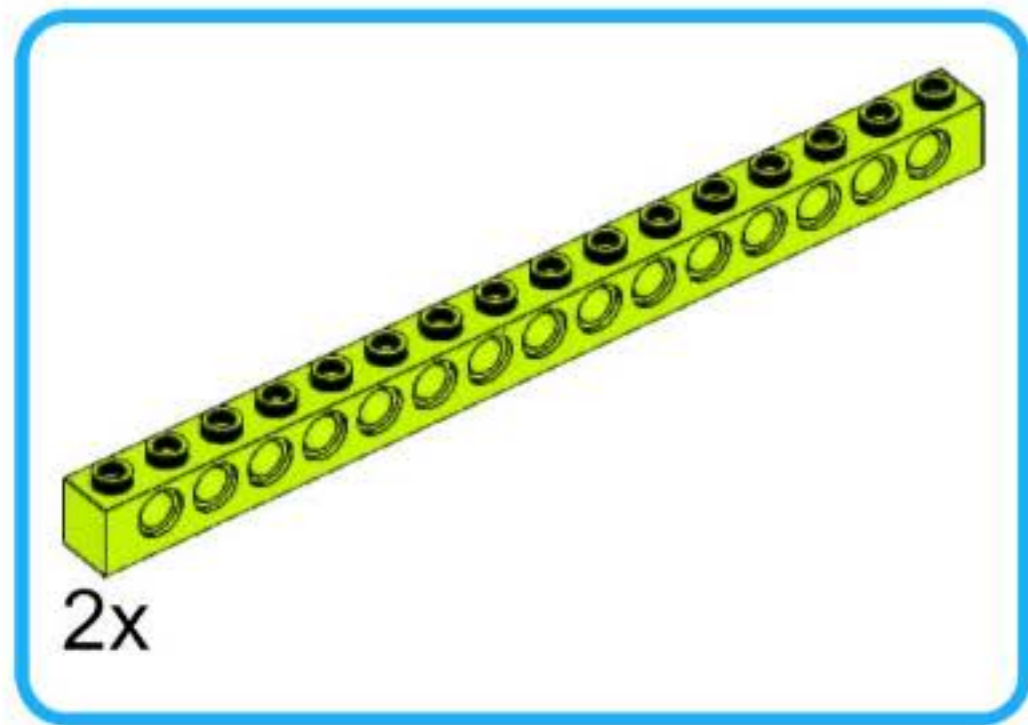
Gergert's lab











Gergert's lab

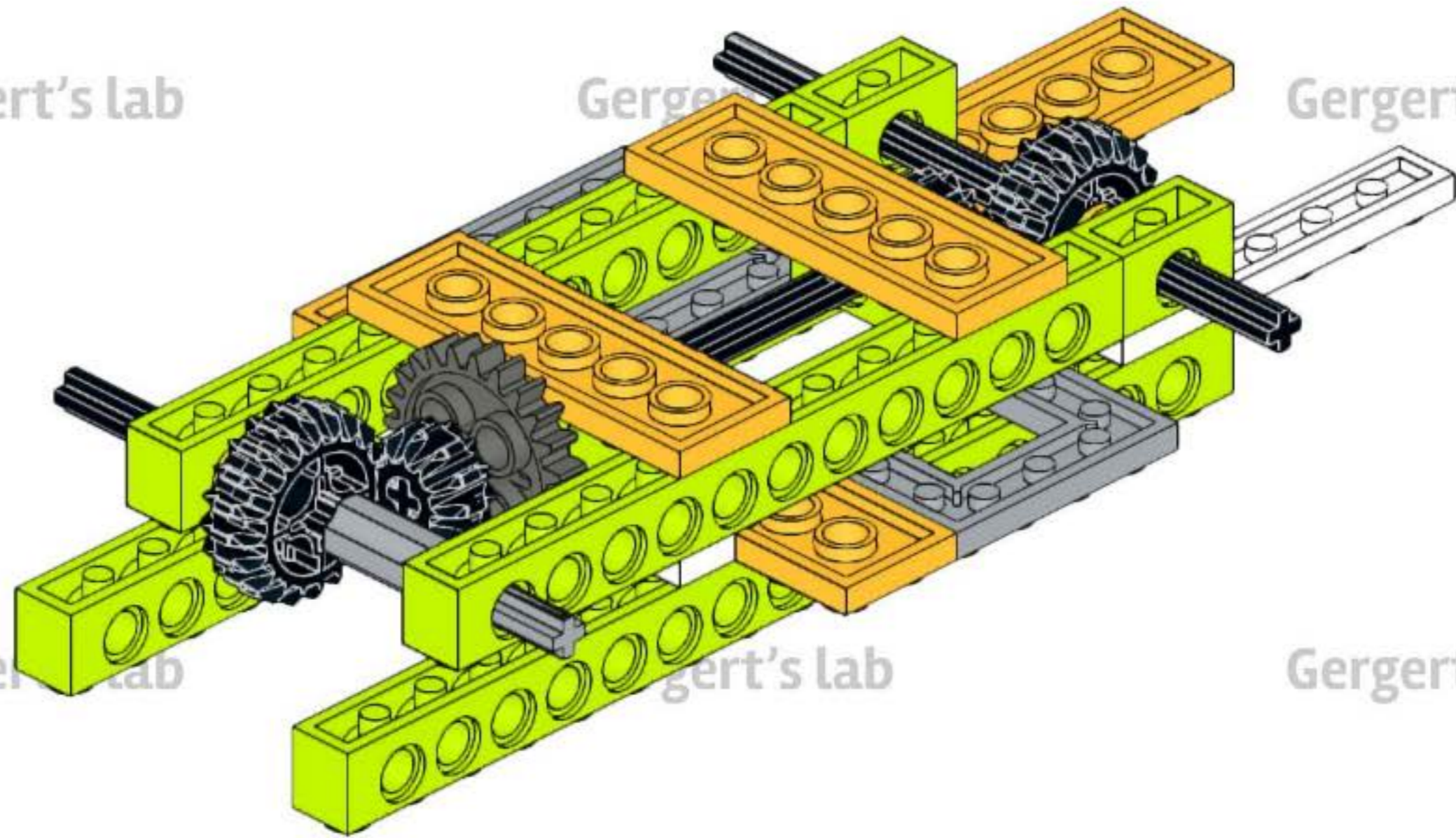
Gergert's lab

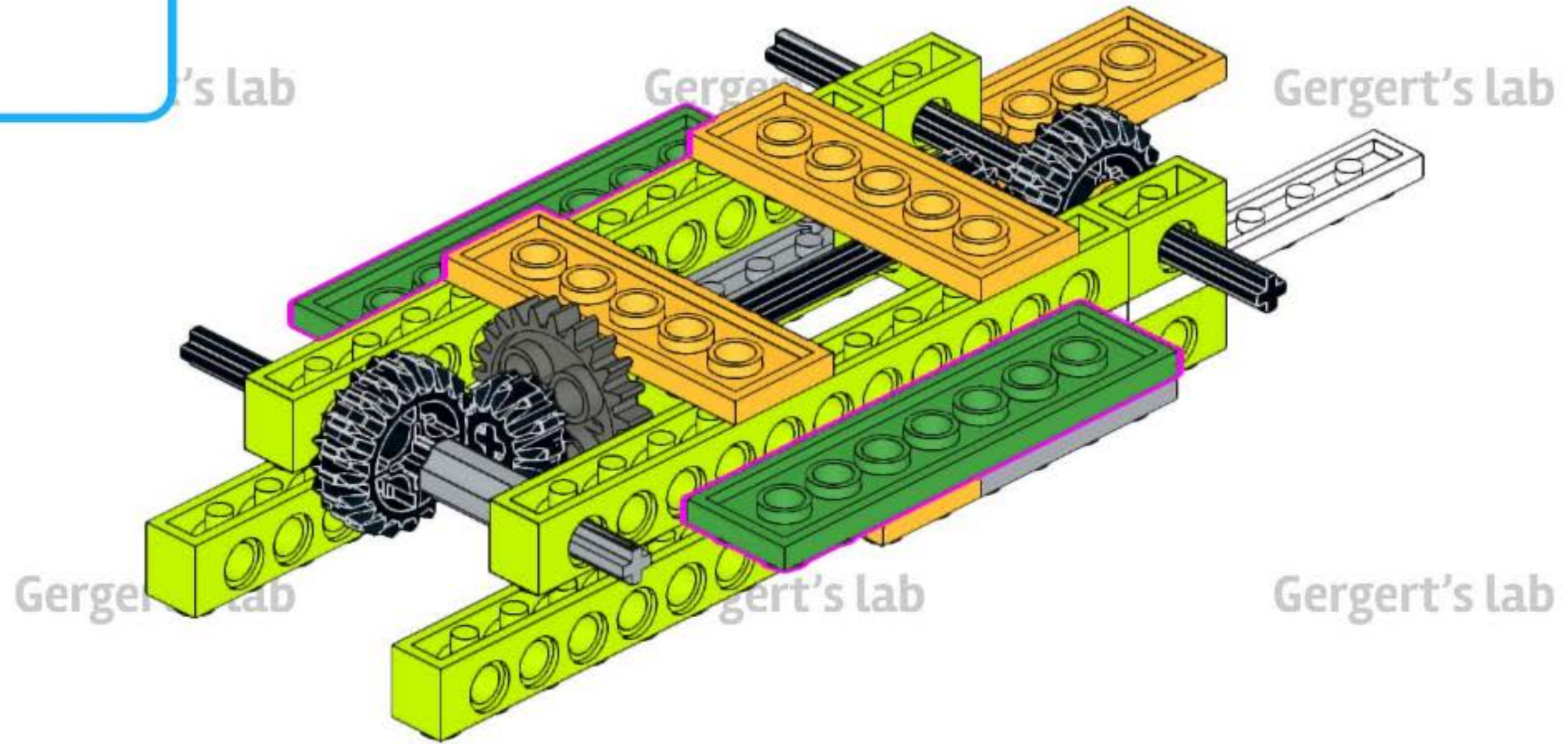
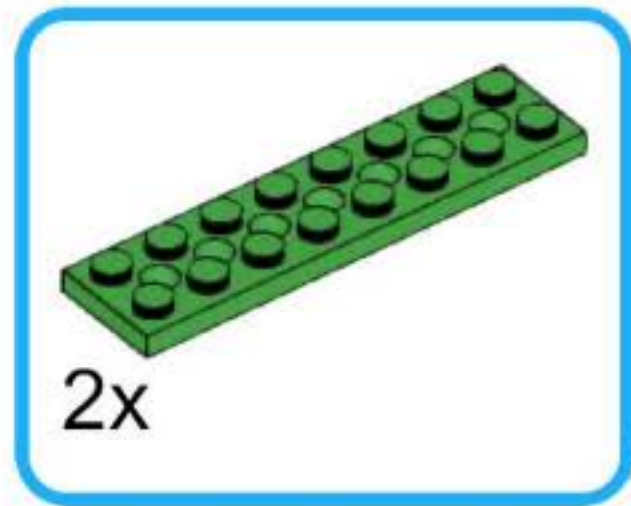
Gergert's lab

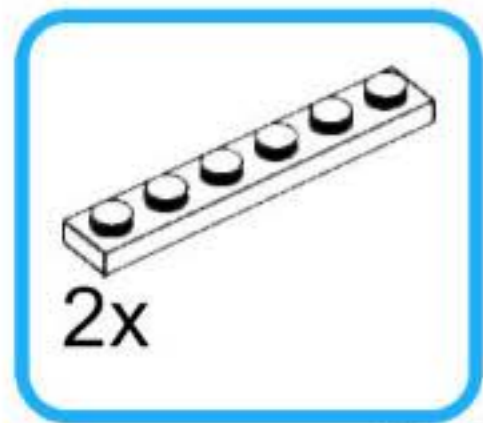
Gergert's lab

Gergert's lab

Gergert's lab







Gergert's lab

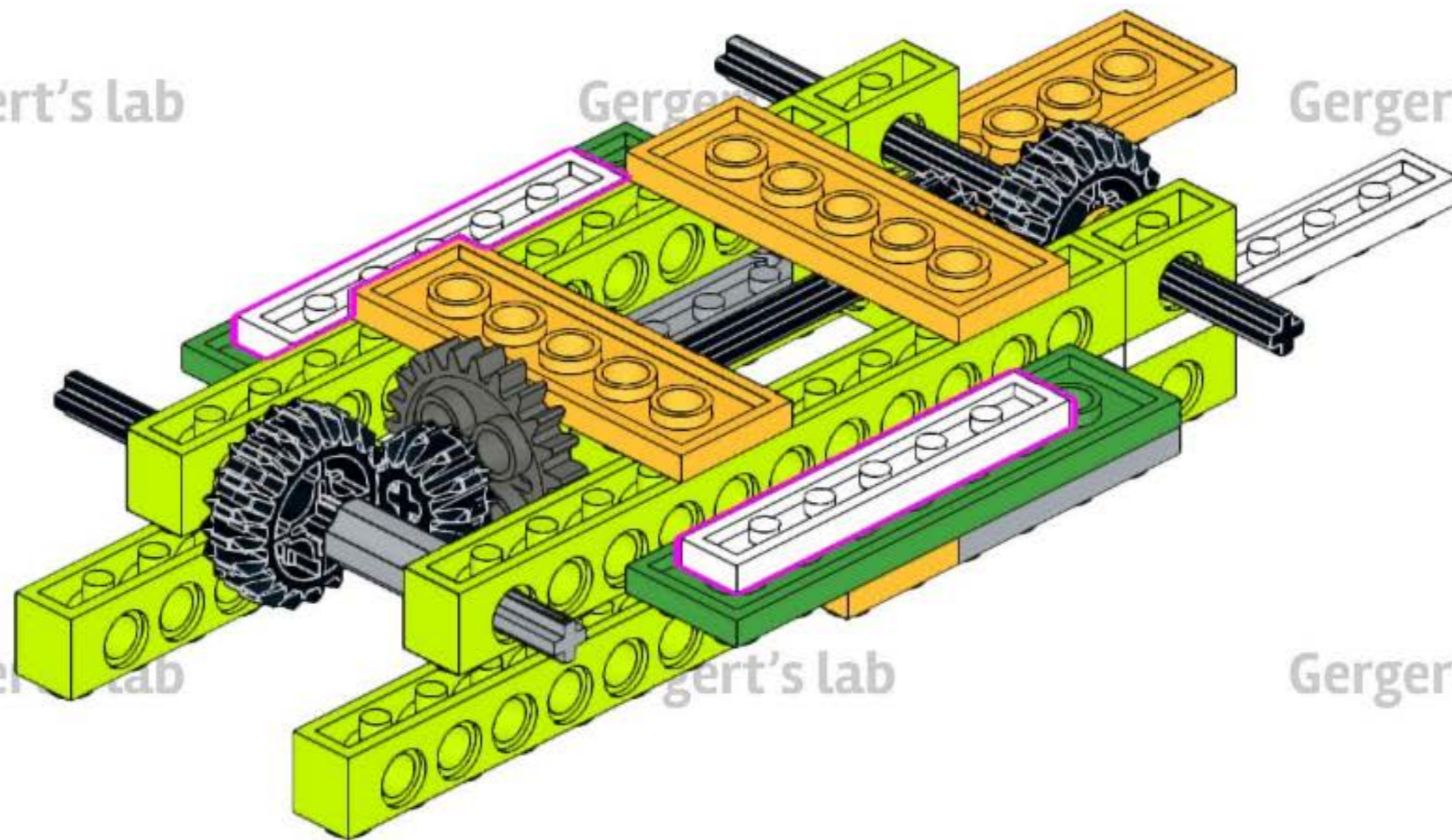
Gergert's lab

Gergert's lab

Gergert's lab

Gergert's lab

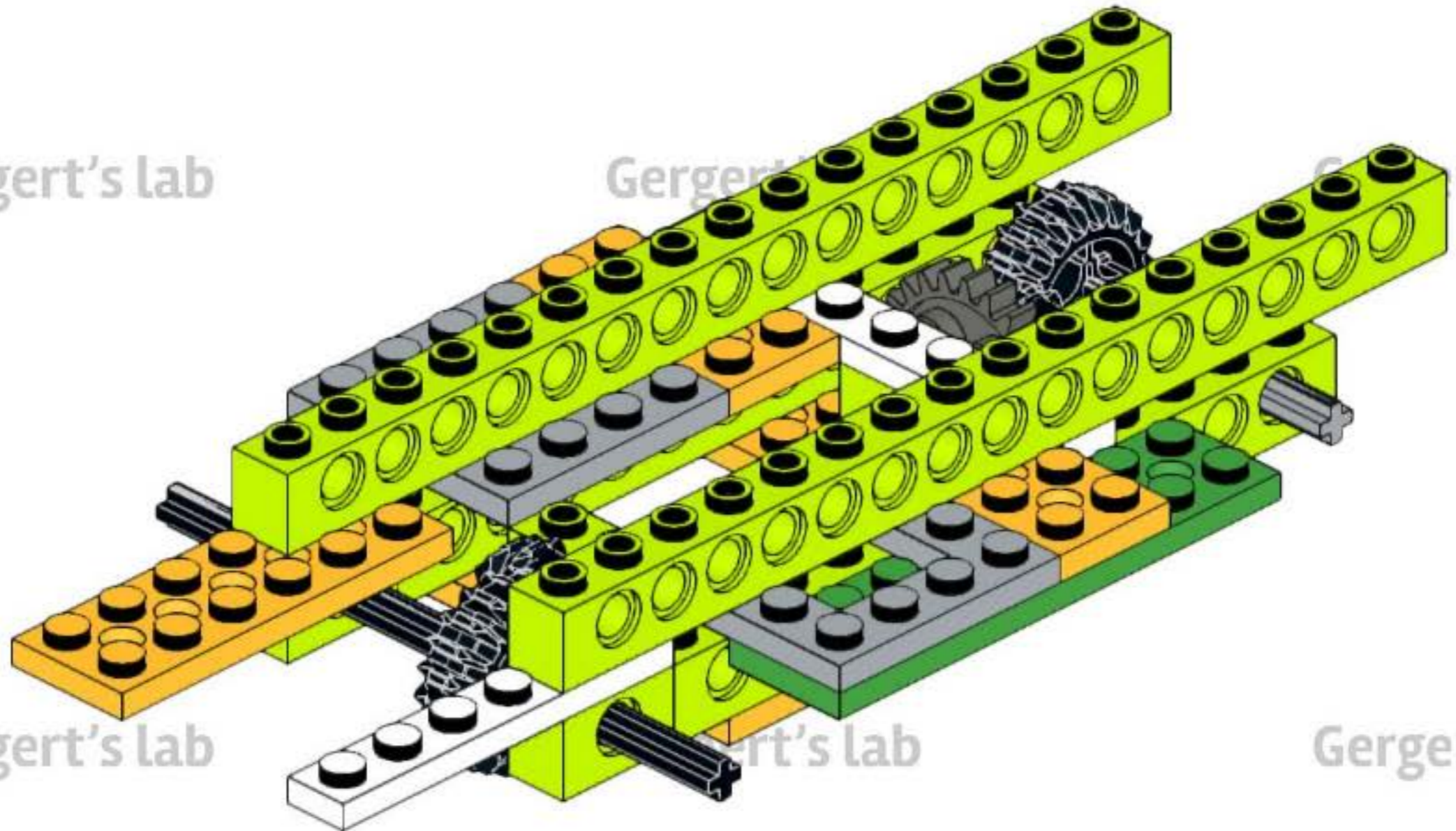
Gergert's lab



Gergert's lab

Gergert's lab

Gergert's lab

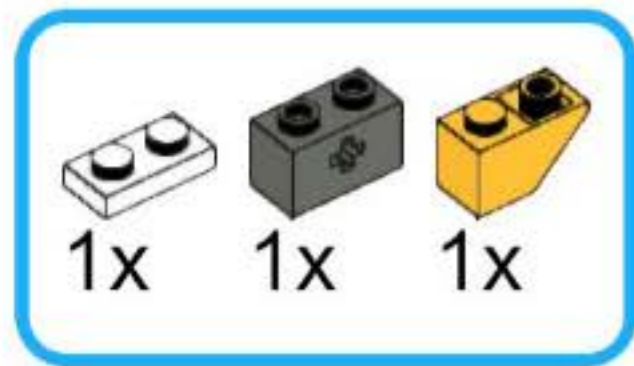


Gergert's lab

Gergert's lab

Gergert's lab





Gergert's lab

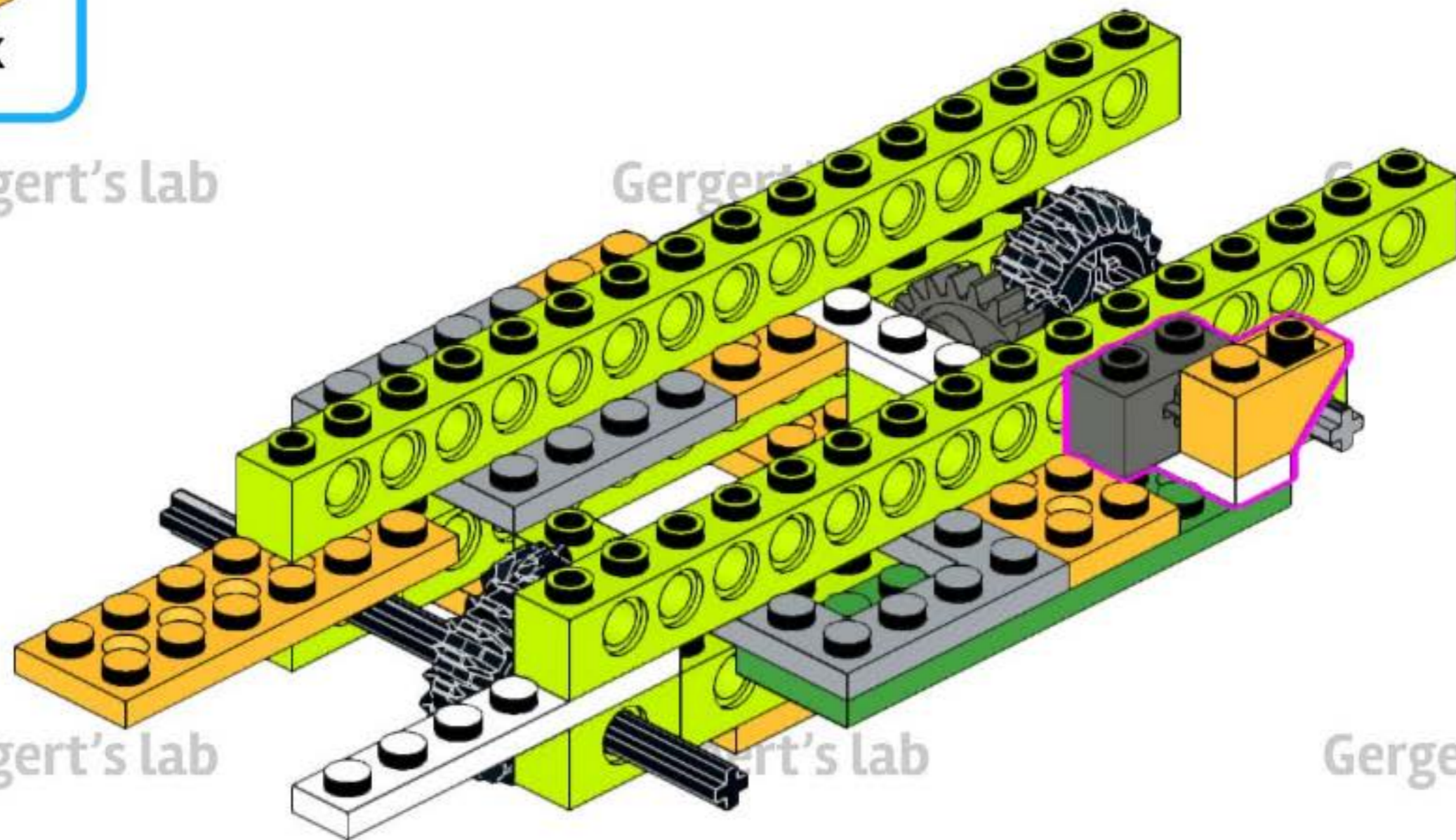
Gergert's lab

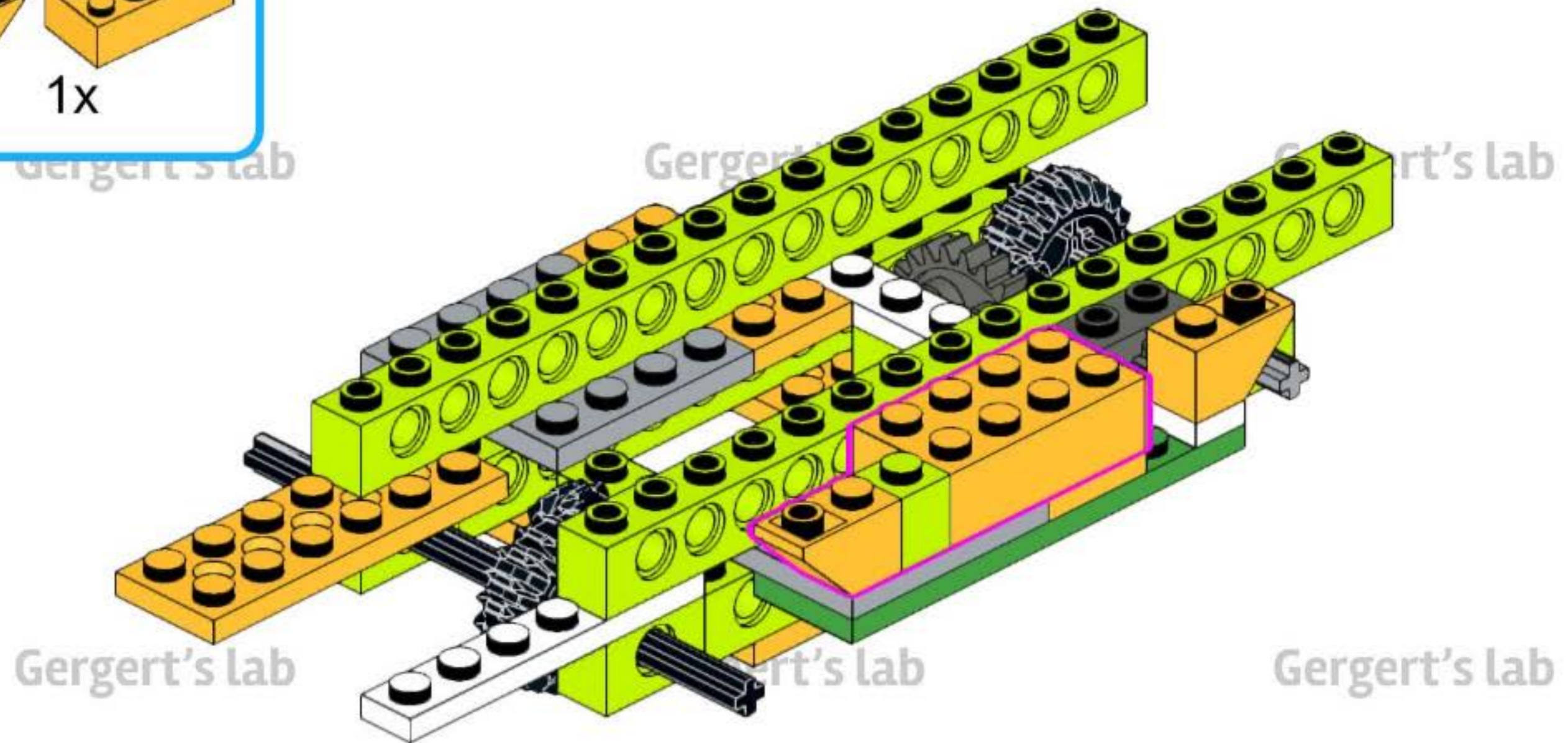
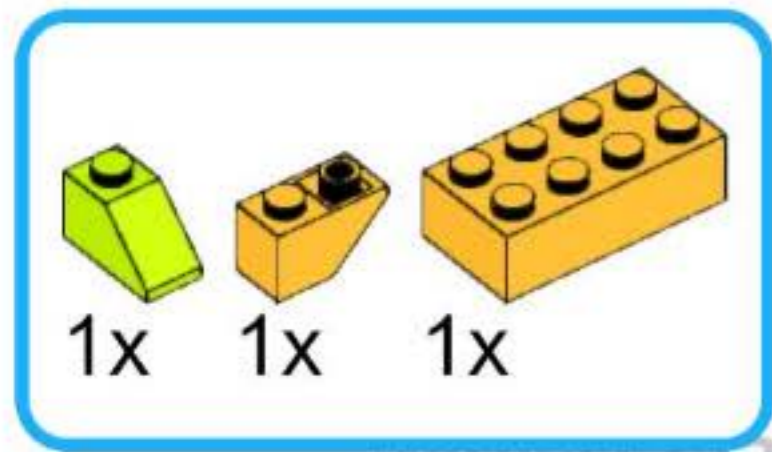
Gergert's lab

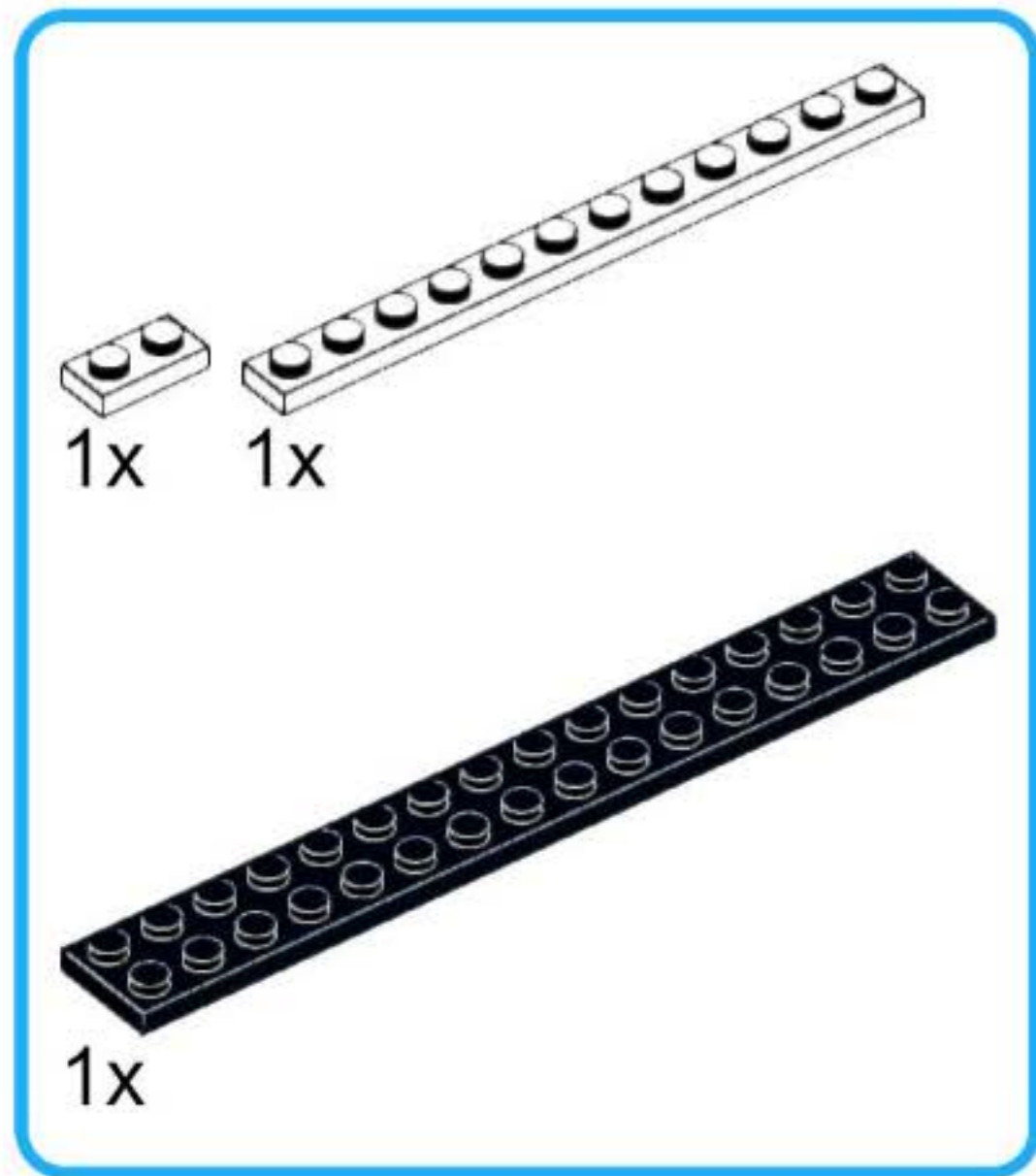
Gergert's lab

Gergert's lab

Gergert's lab







Gergert's lab

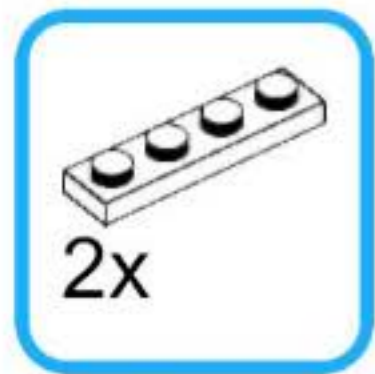
Gergert's lab

Gergert's lab



Gergert's lab

Gergert's lab



Gergert's lab

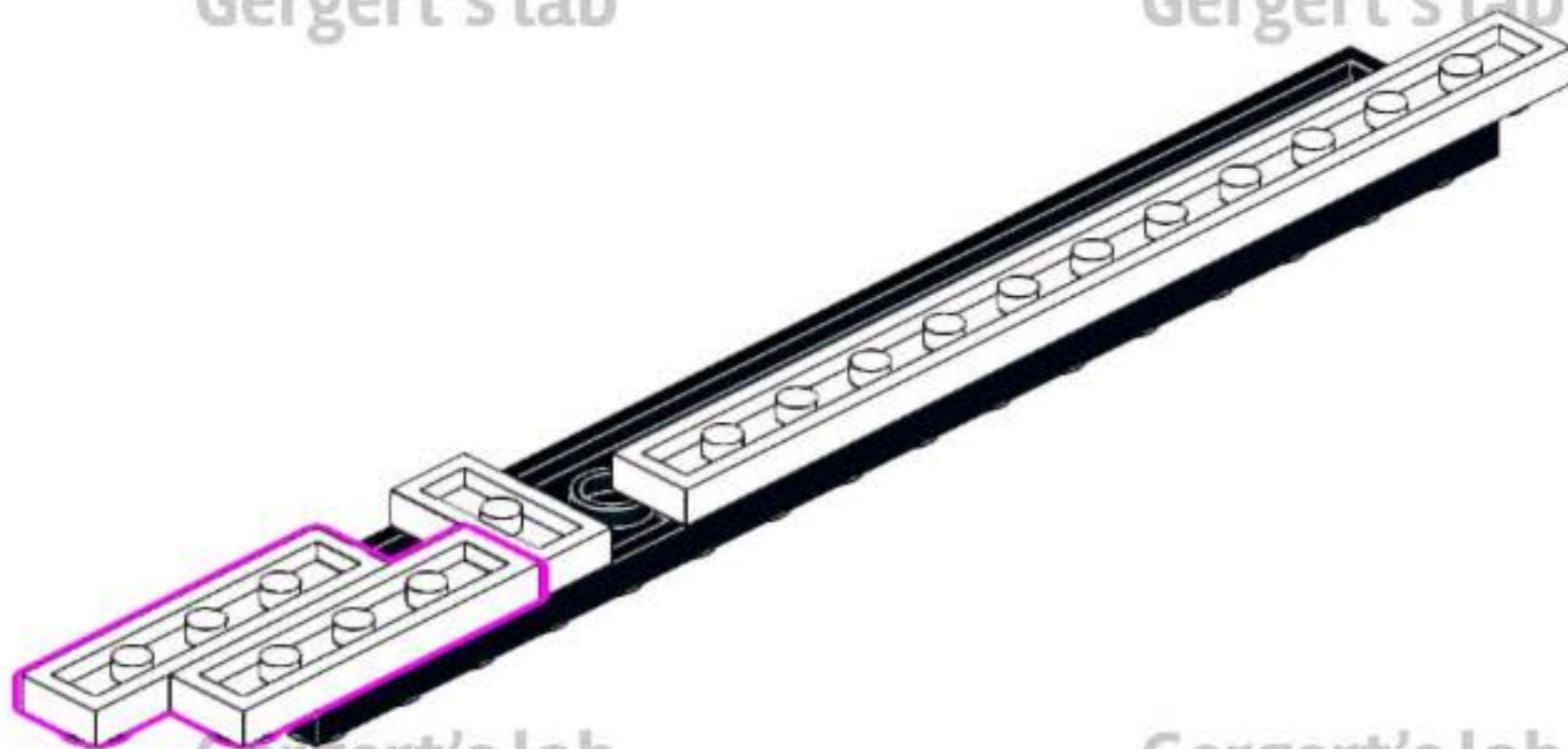
Gergert's lab

Gergert's lab

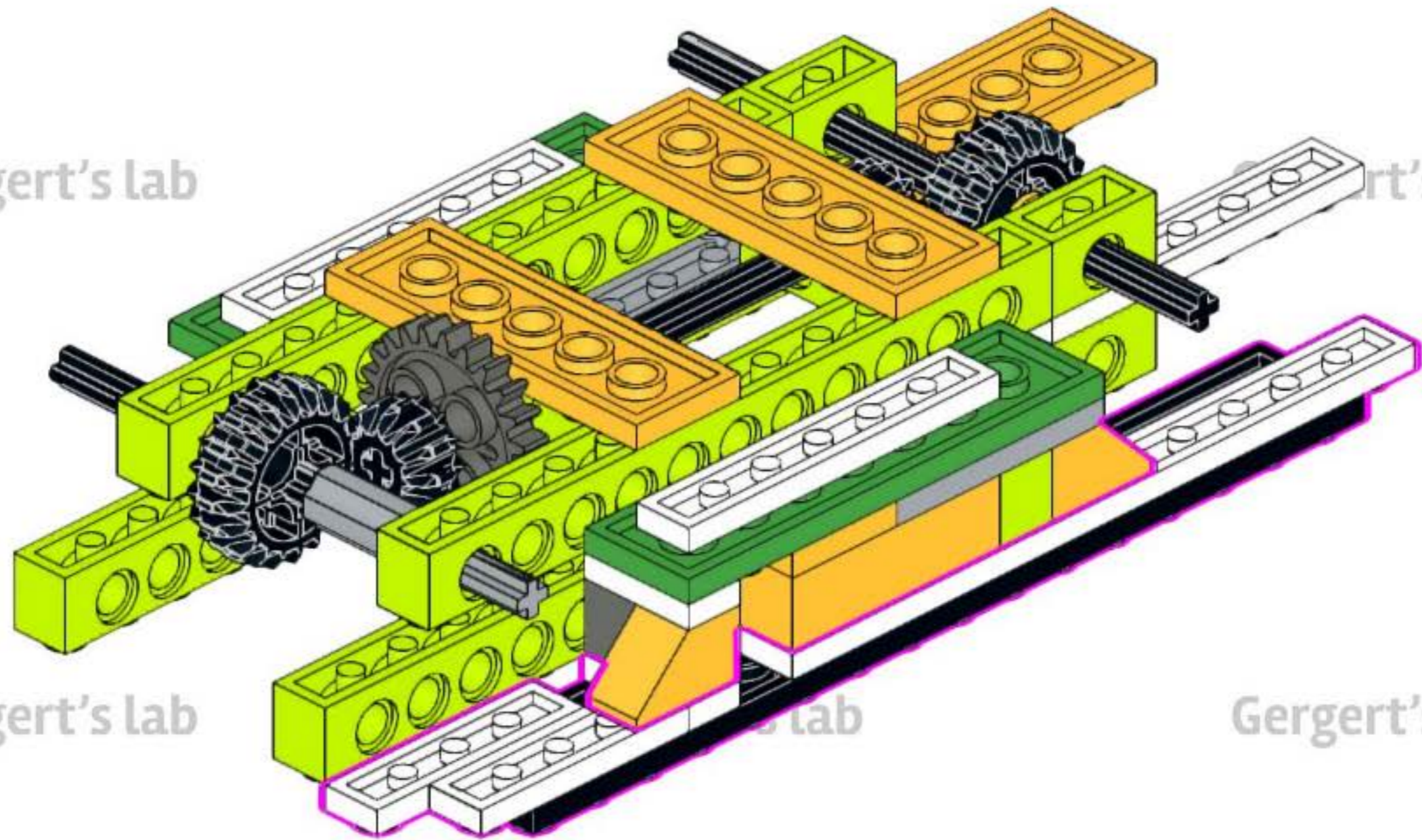
Gergert's lab

Gergert's lab

Gergert's lab



Gergert's lab



Gergert's lab

Gergert's lab

Gergert's lab

Gergert's lab

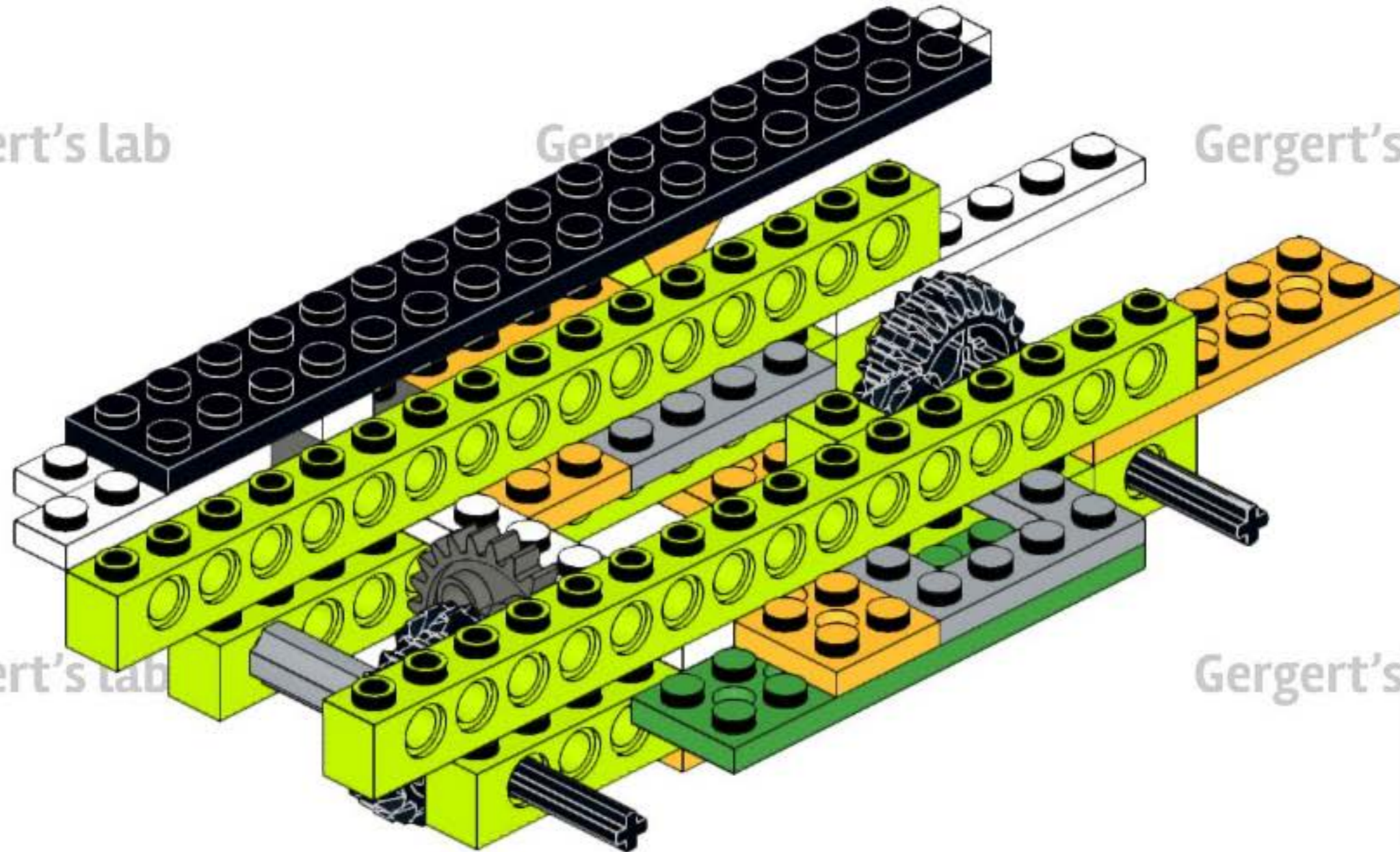
Gergert's lab

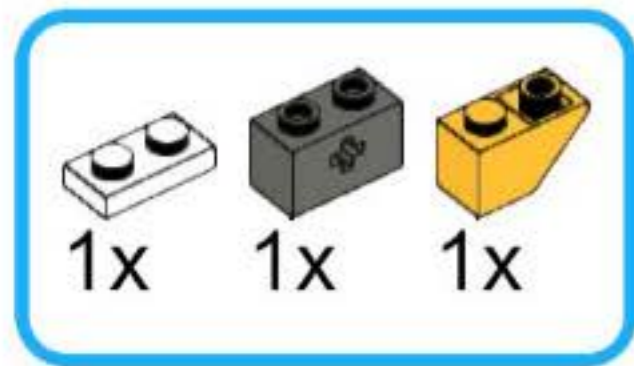
Ger

Gergert's lab

Gergert's lab

Gergert's





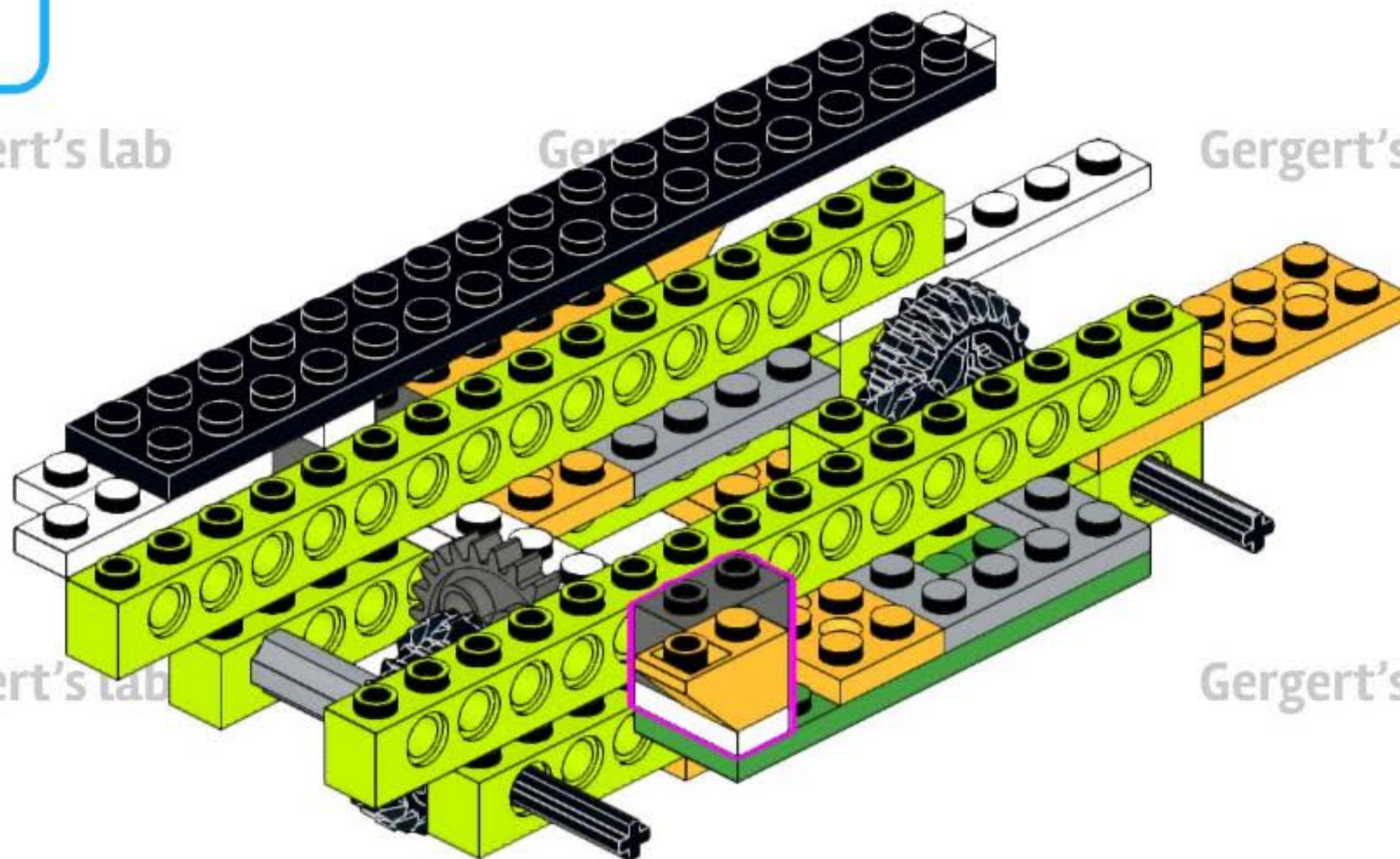
Gergert's lab

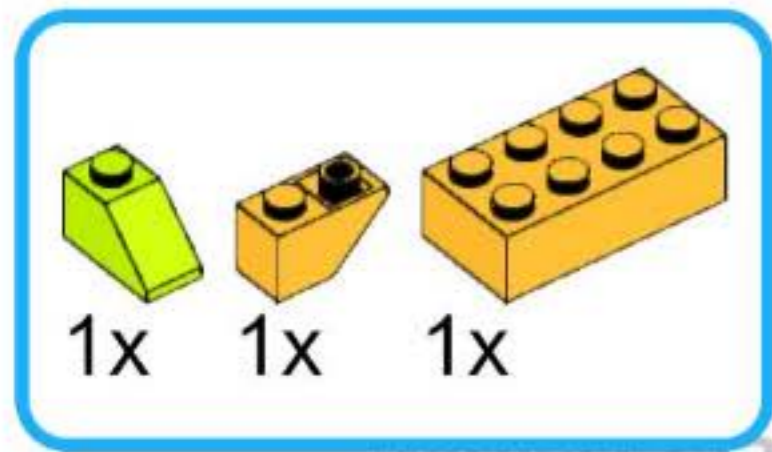
Ger

Gergert's lab

Gergert's lab

Gergert's lab





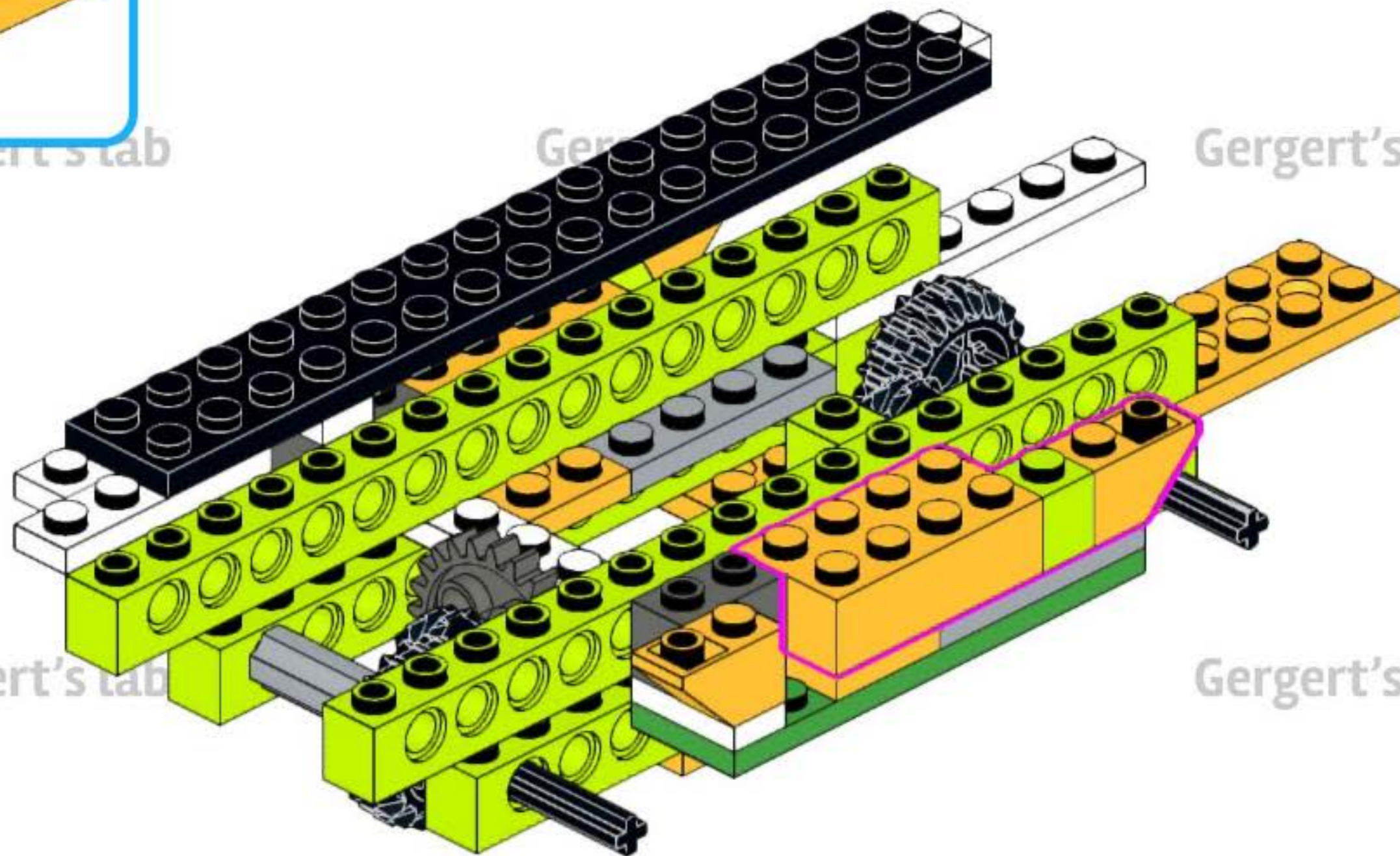
Gergert's lab

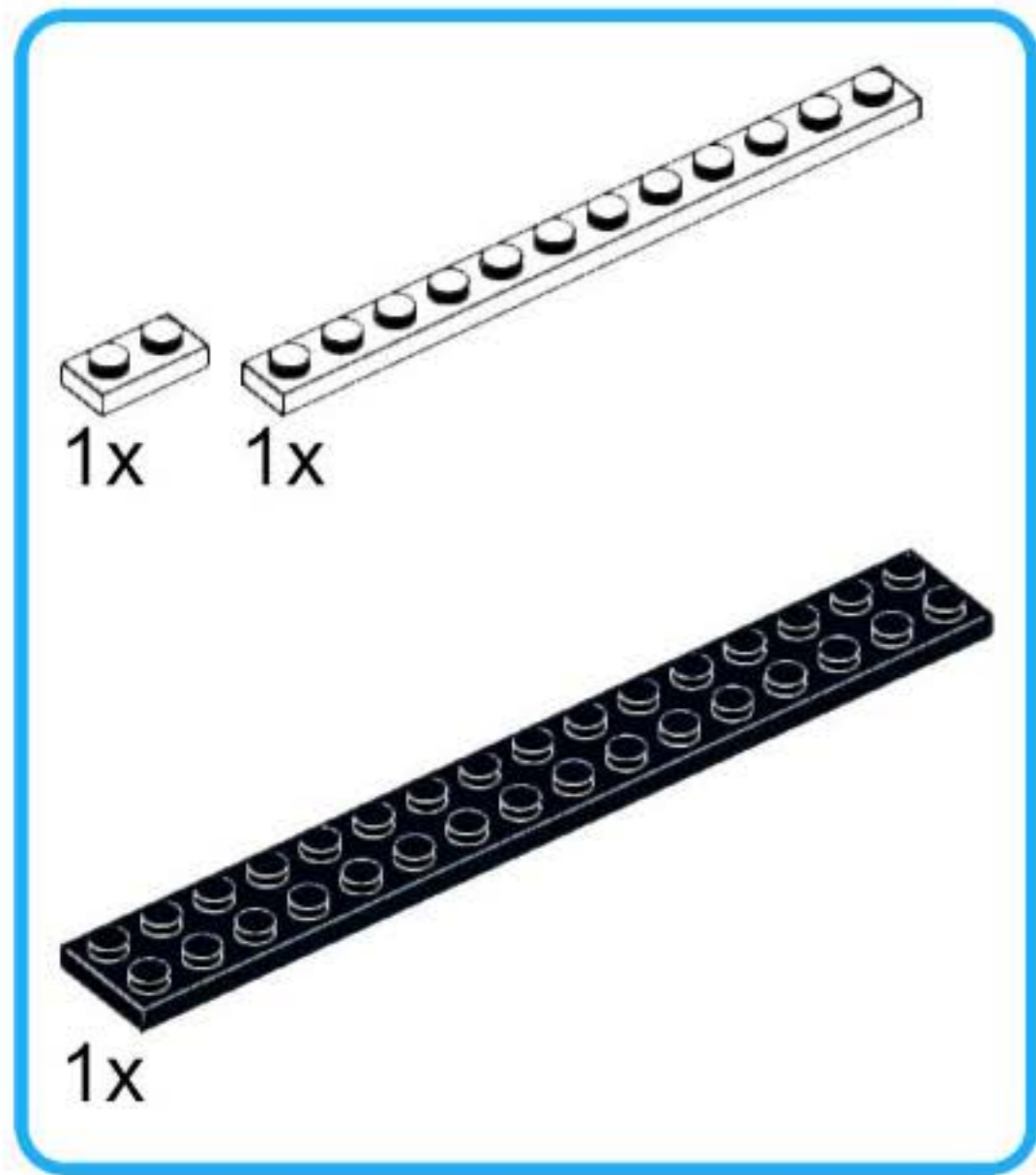
Ger

Gergert's lab

Gergert's lab

Gergert's lab

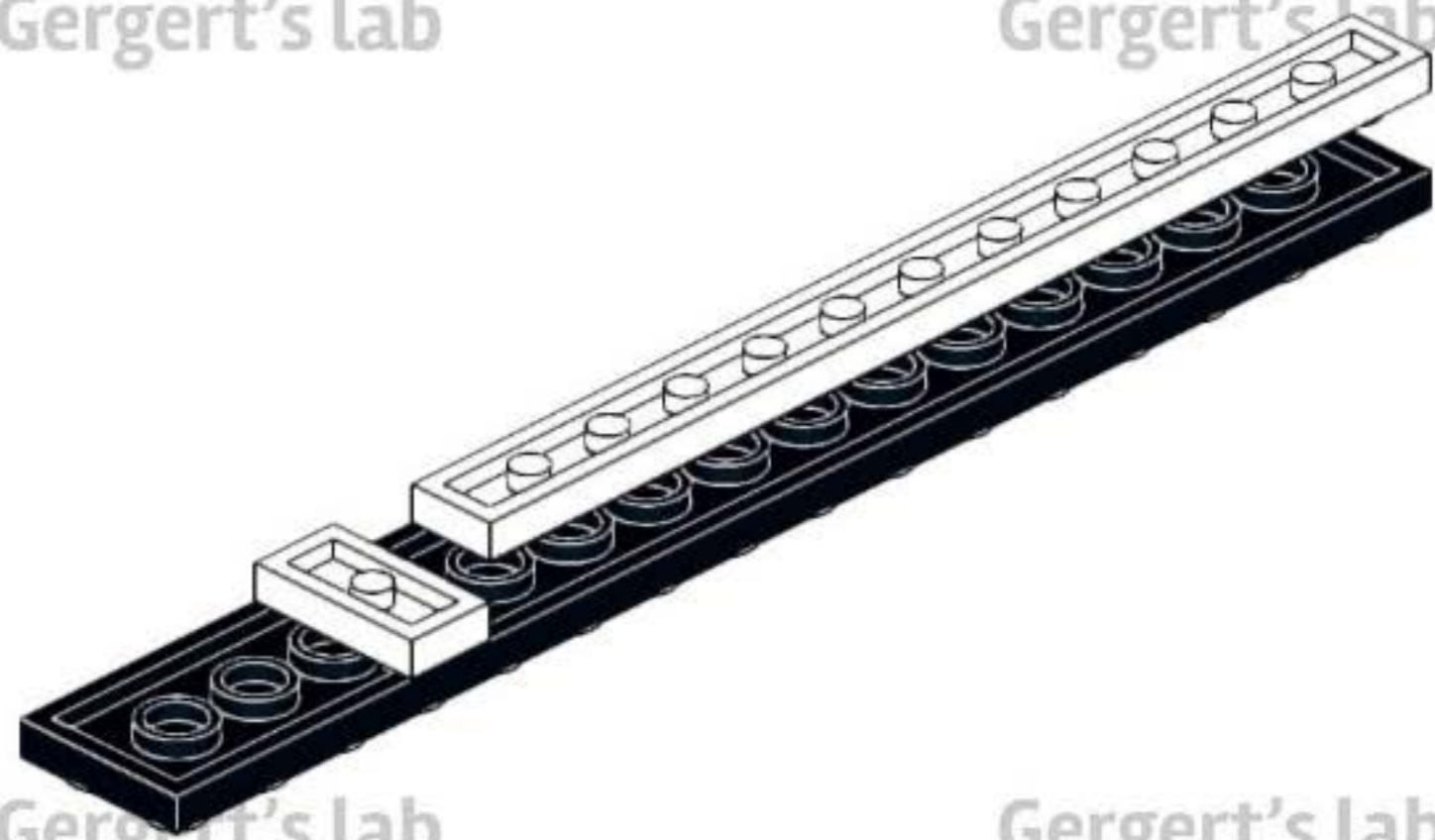




Gergert's lab

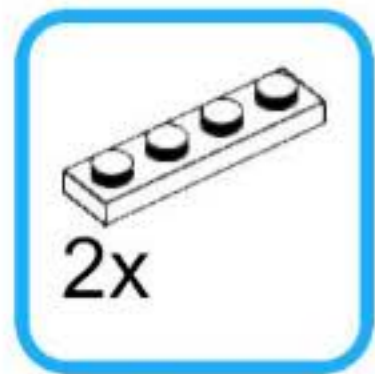
Gergert's lab

Gergert's lab



Gergert's lab

Gergert's lab



Gergert's lab

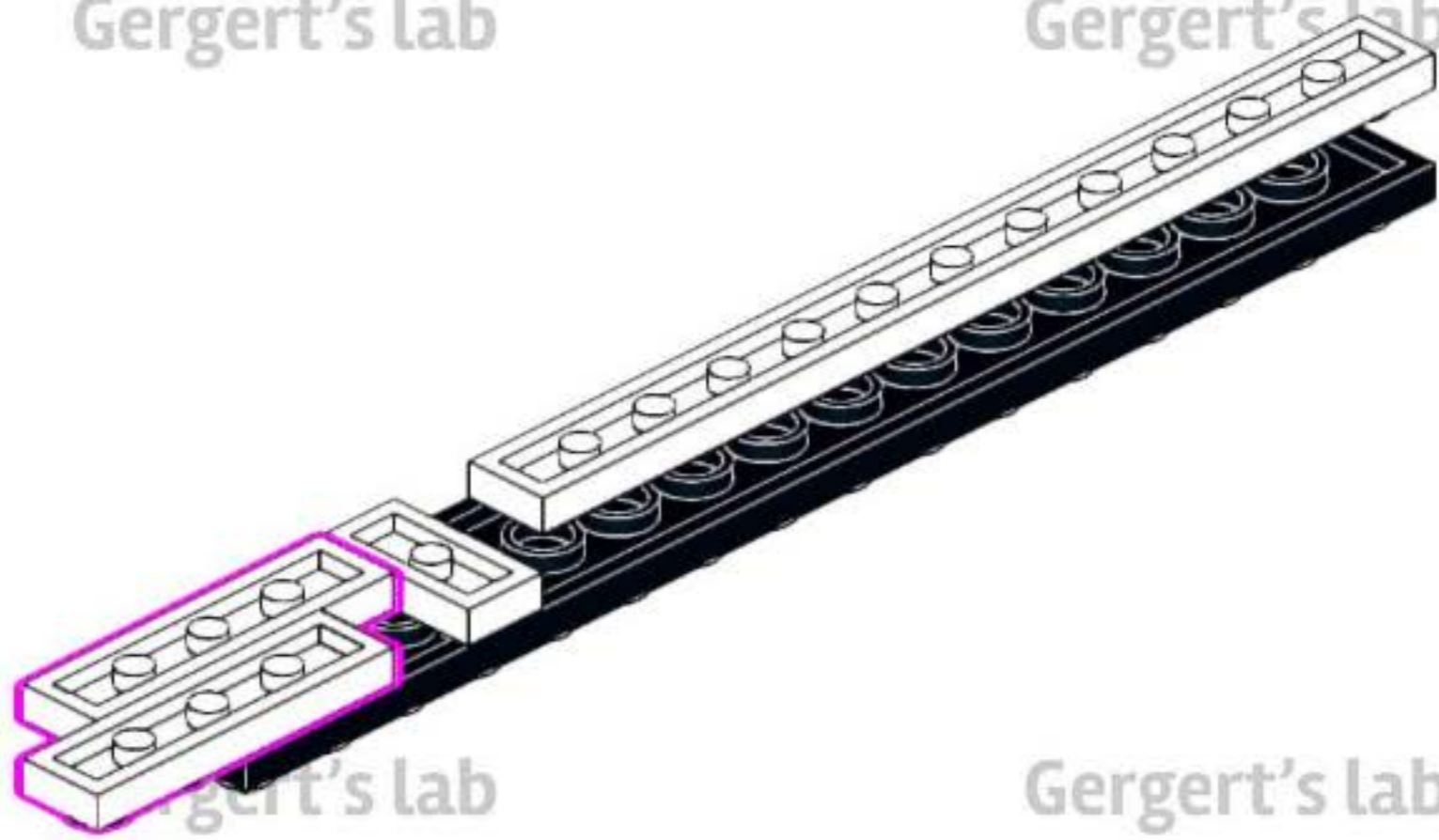
Gergert's lab

Gergert's lab

Gergert's lab

Gergert's lab

Gergert's lab

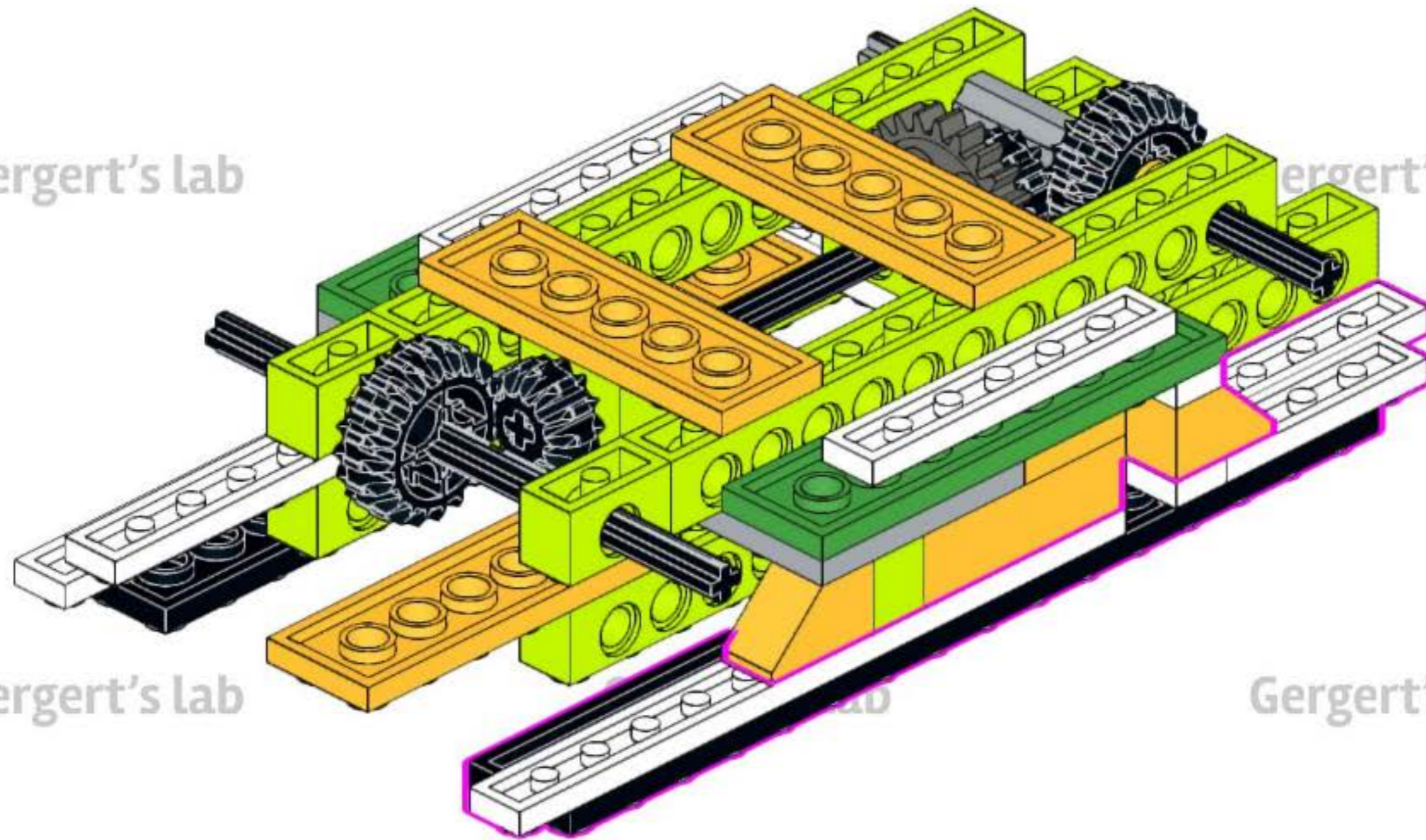


Gergert's lab

Gergert's lab

Gergert's lab

Gergert's lab



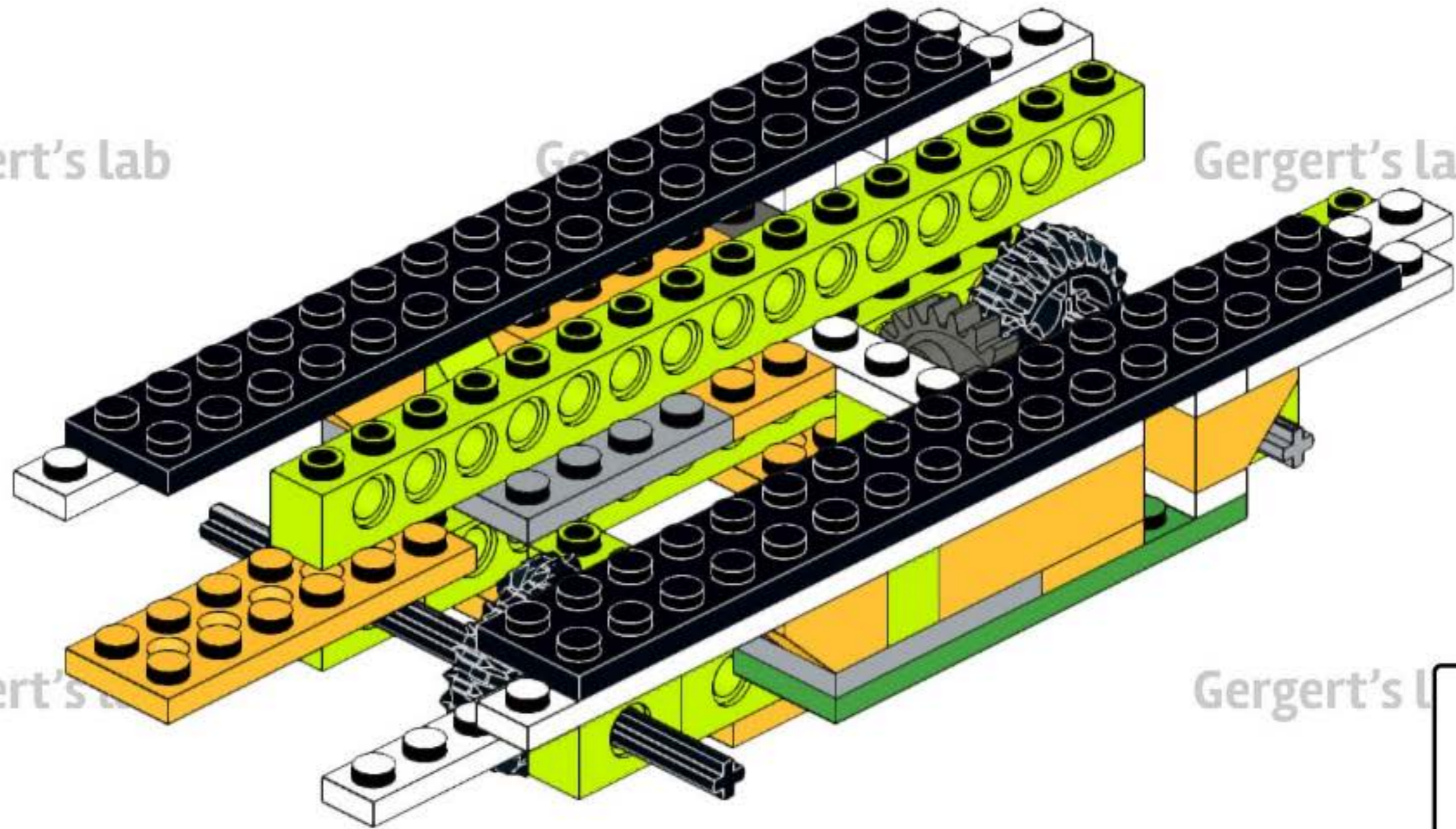
Gergert's lab

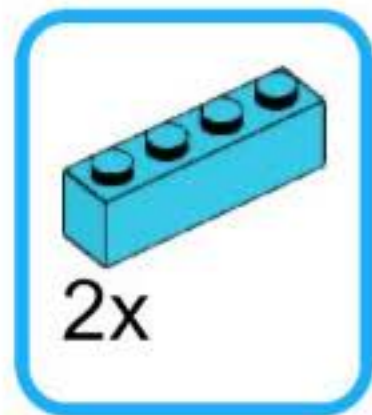
Ge

Gergert's lab

Gergert's lab

Gergert's lab





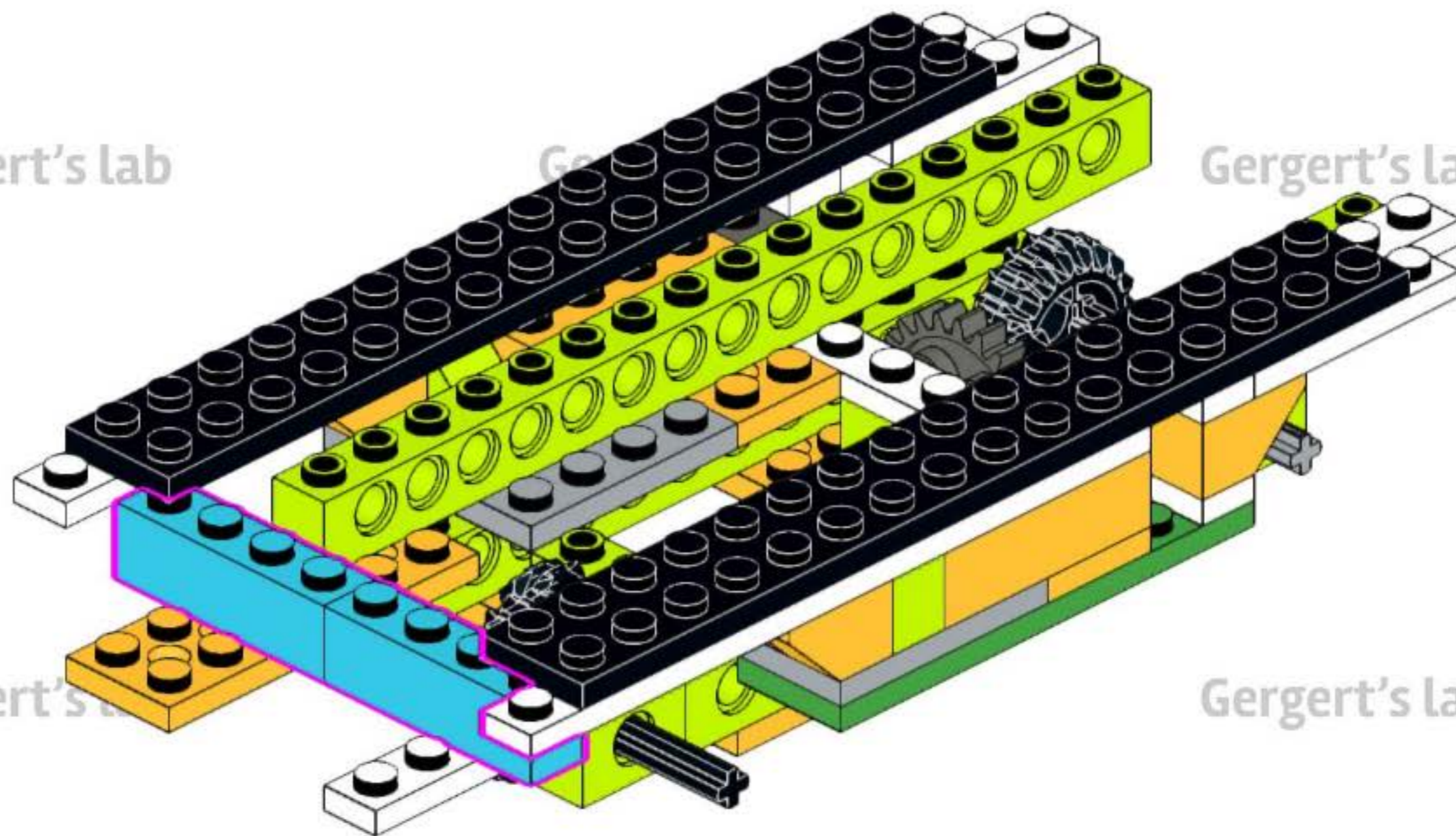
Gergert's lab

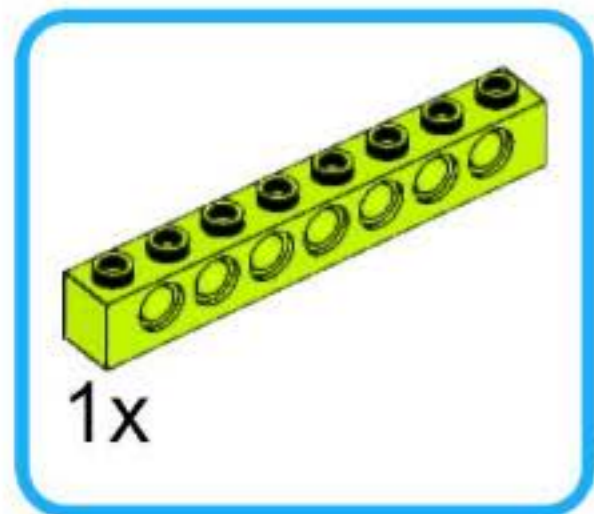
Ge

Gergert's lab

Gergert's lab

Gergert's lab

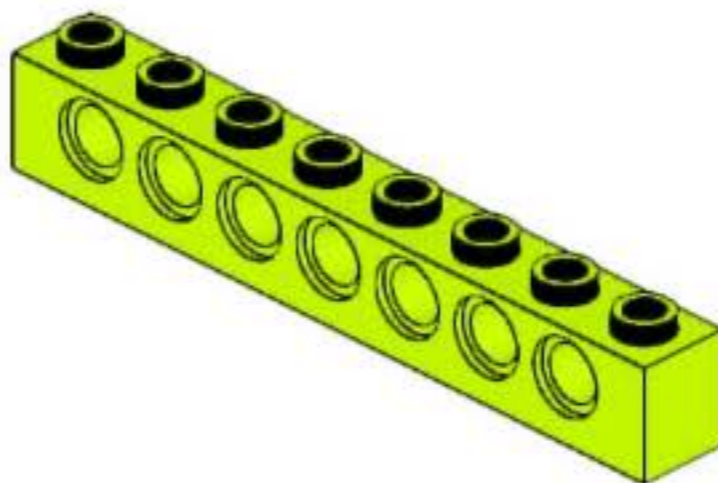




Gergert's lab

Gergert's lab

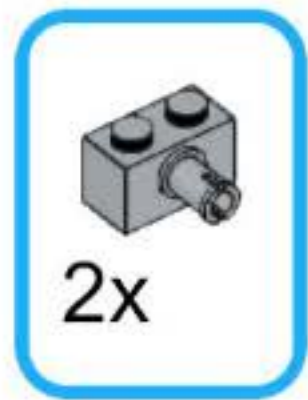
Gergert's lab



Gergert's lab

Gergert's lab

Gergert's lab

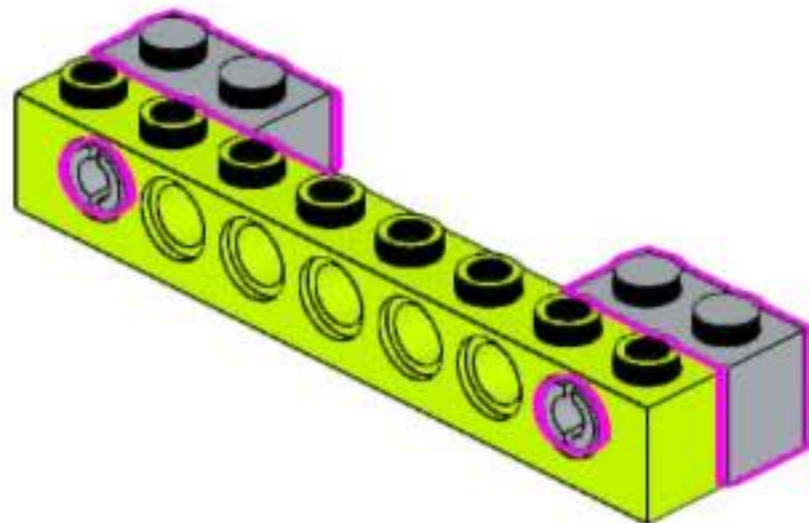


2x

Gergert's lab

Gergert's lab

Gergert's lab



Gergert's lab

Gergert's lab

Gergert's lab

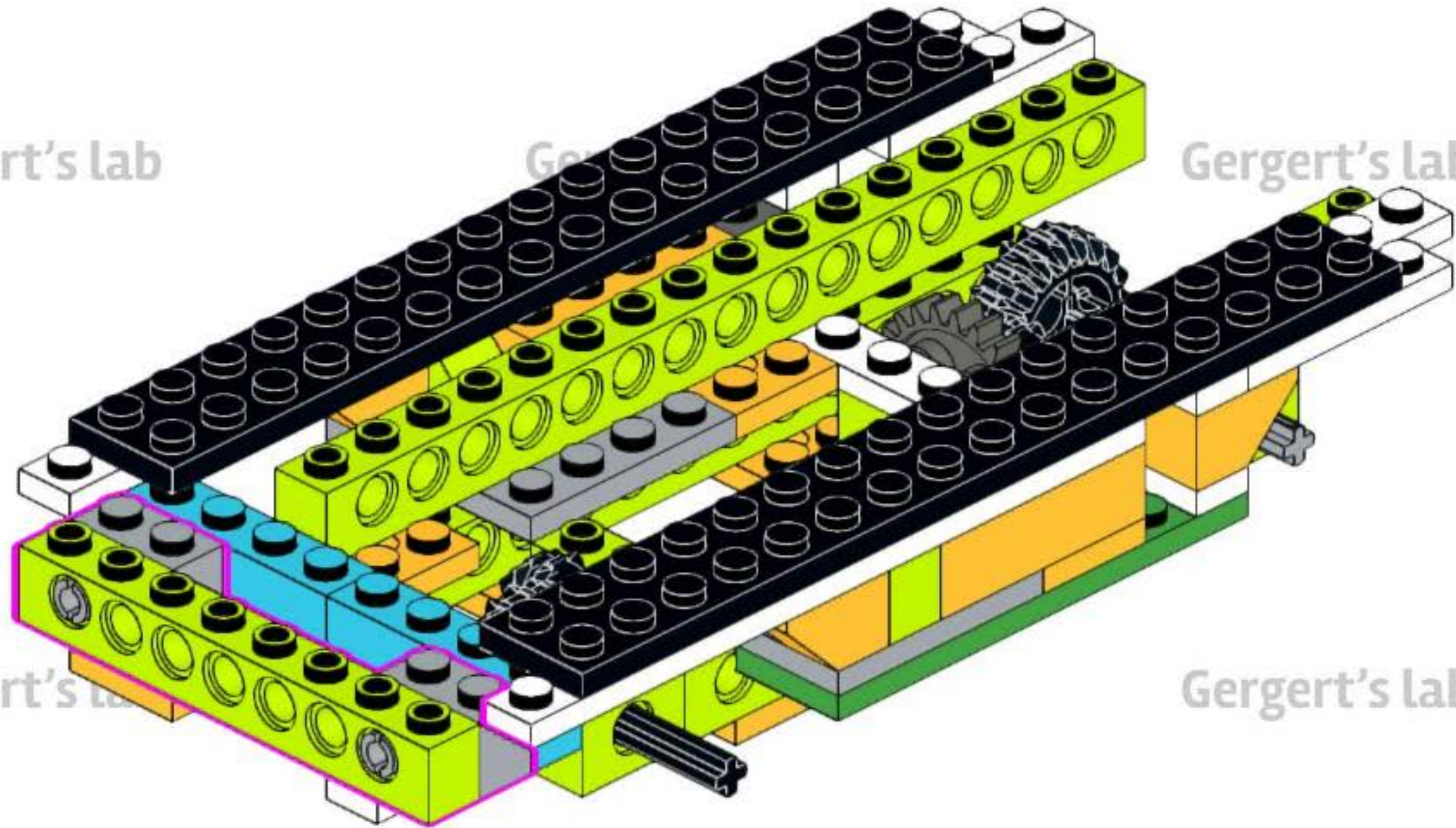
Gergert's lab

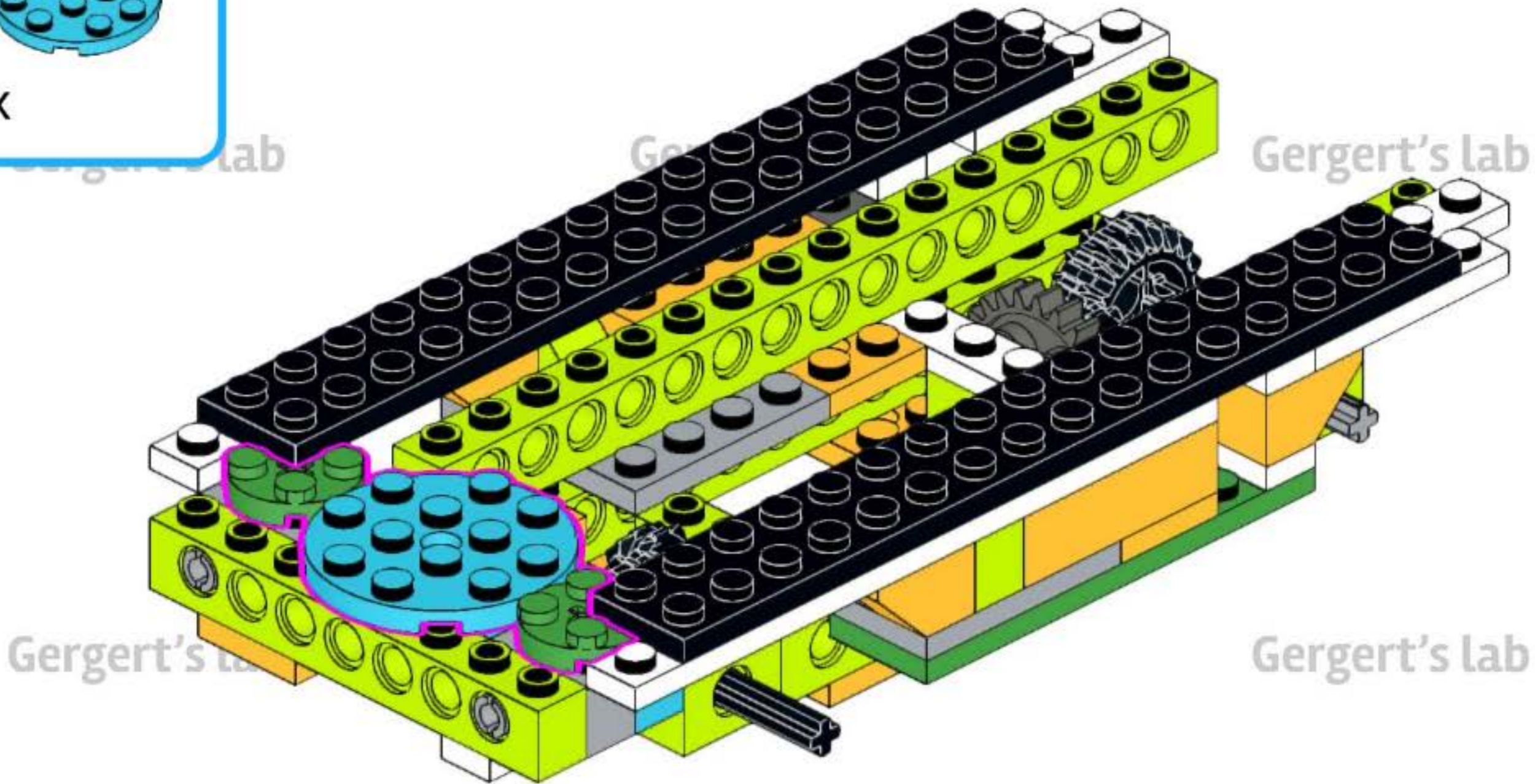
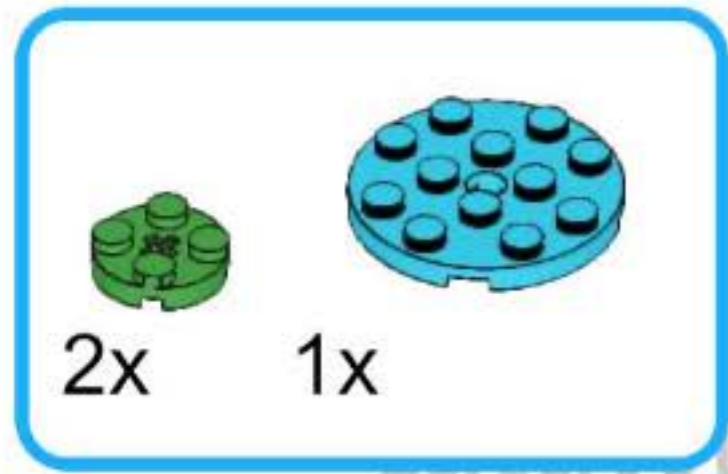
Ge

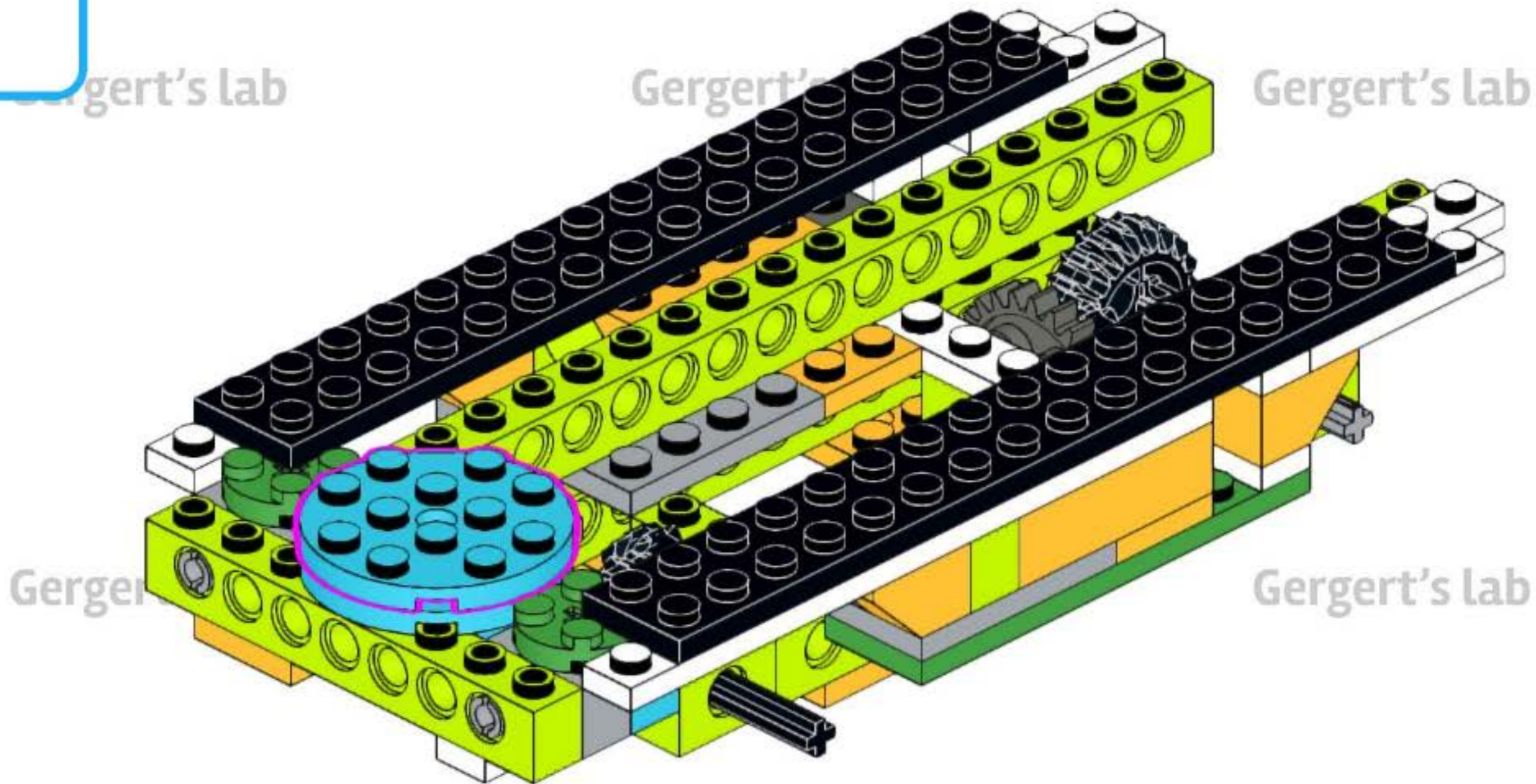
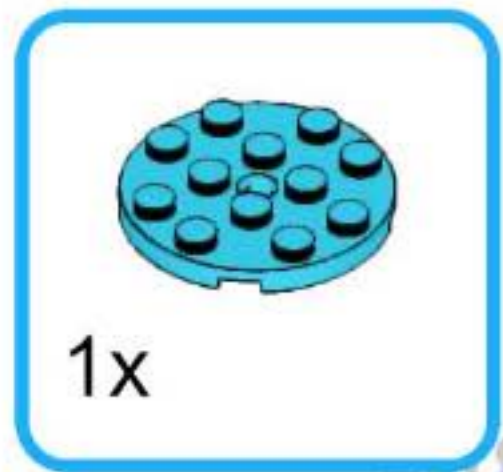
Gergert's lab

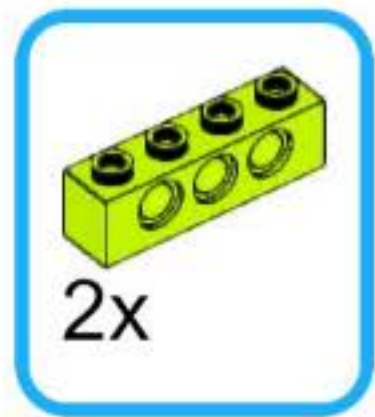
Gergert's lab

Gergert's lab







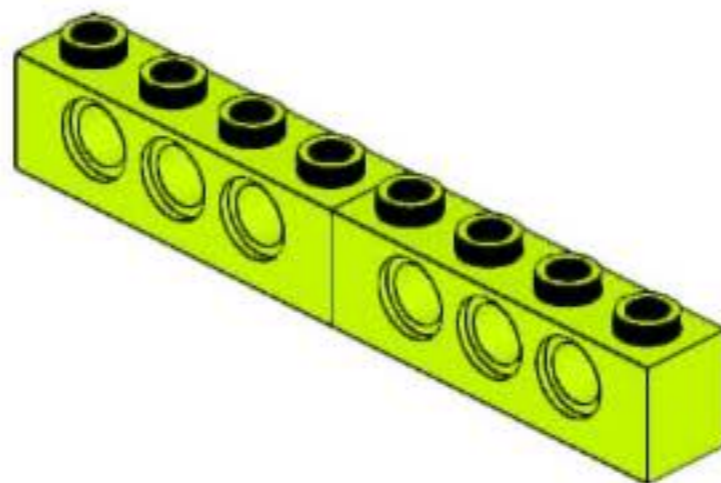


2x

Gergert's lab

Gergert's lab

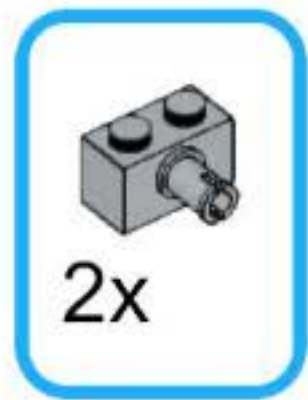
Gergert's lab



Gergert's lab

Gergert's lab

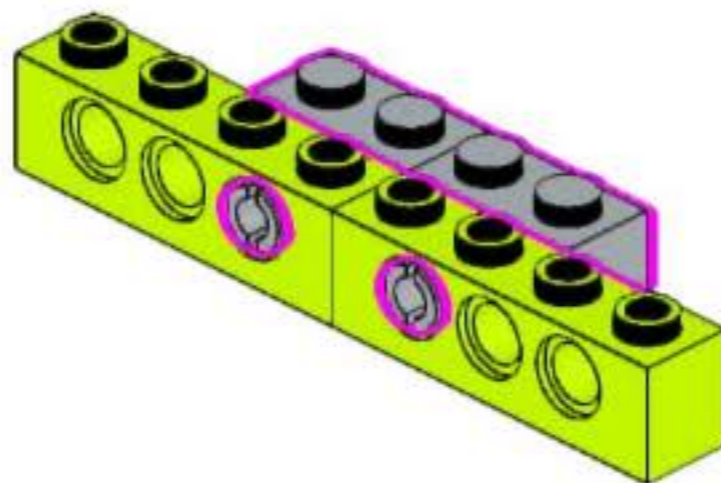
Gergert's lab



Gergert's lab

Gergert's lab

Gergert's lab

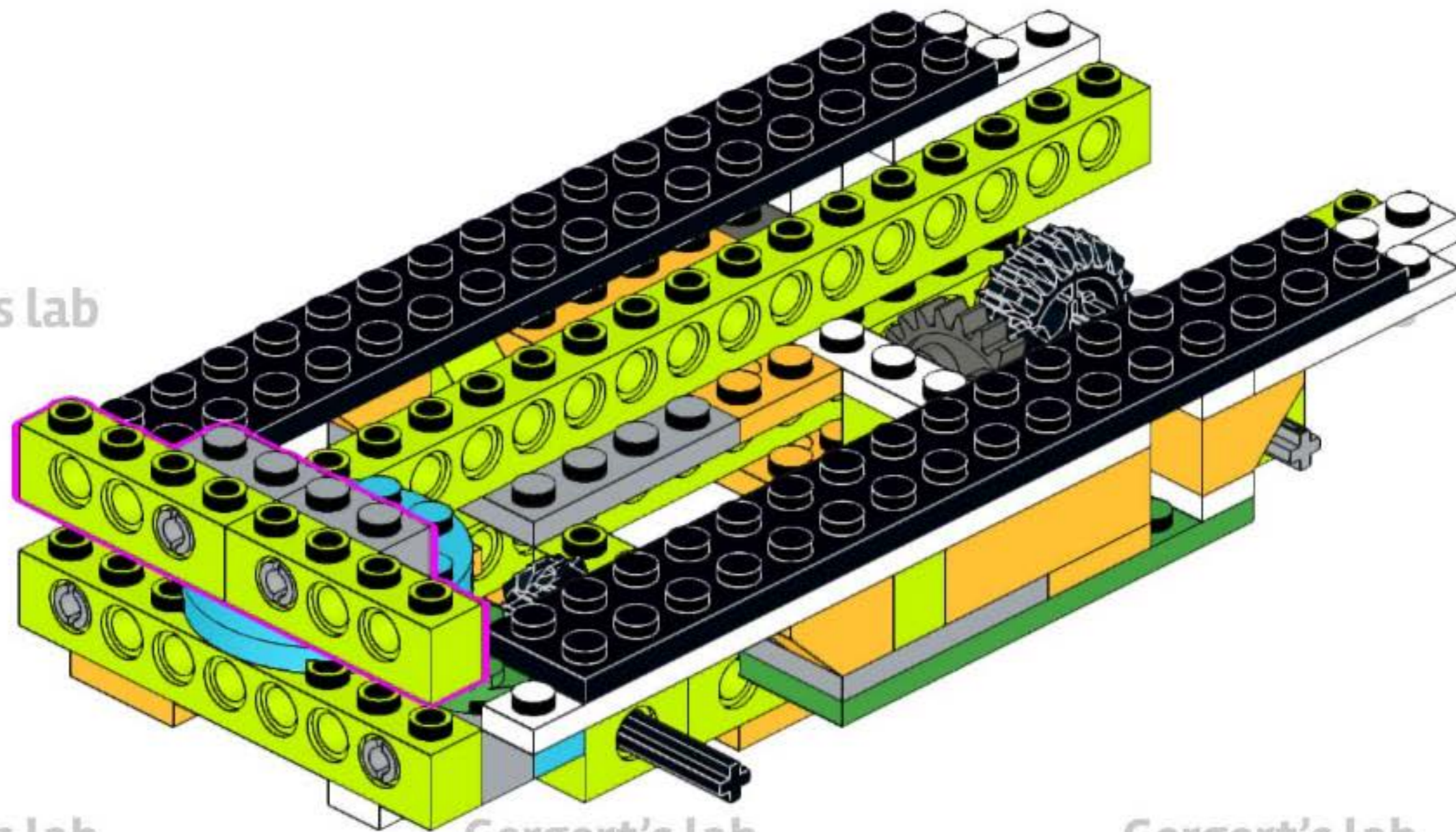


Gergert's lab

Gergert's lab

Gergert's lab

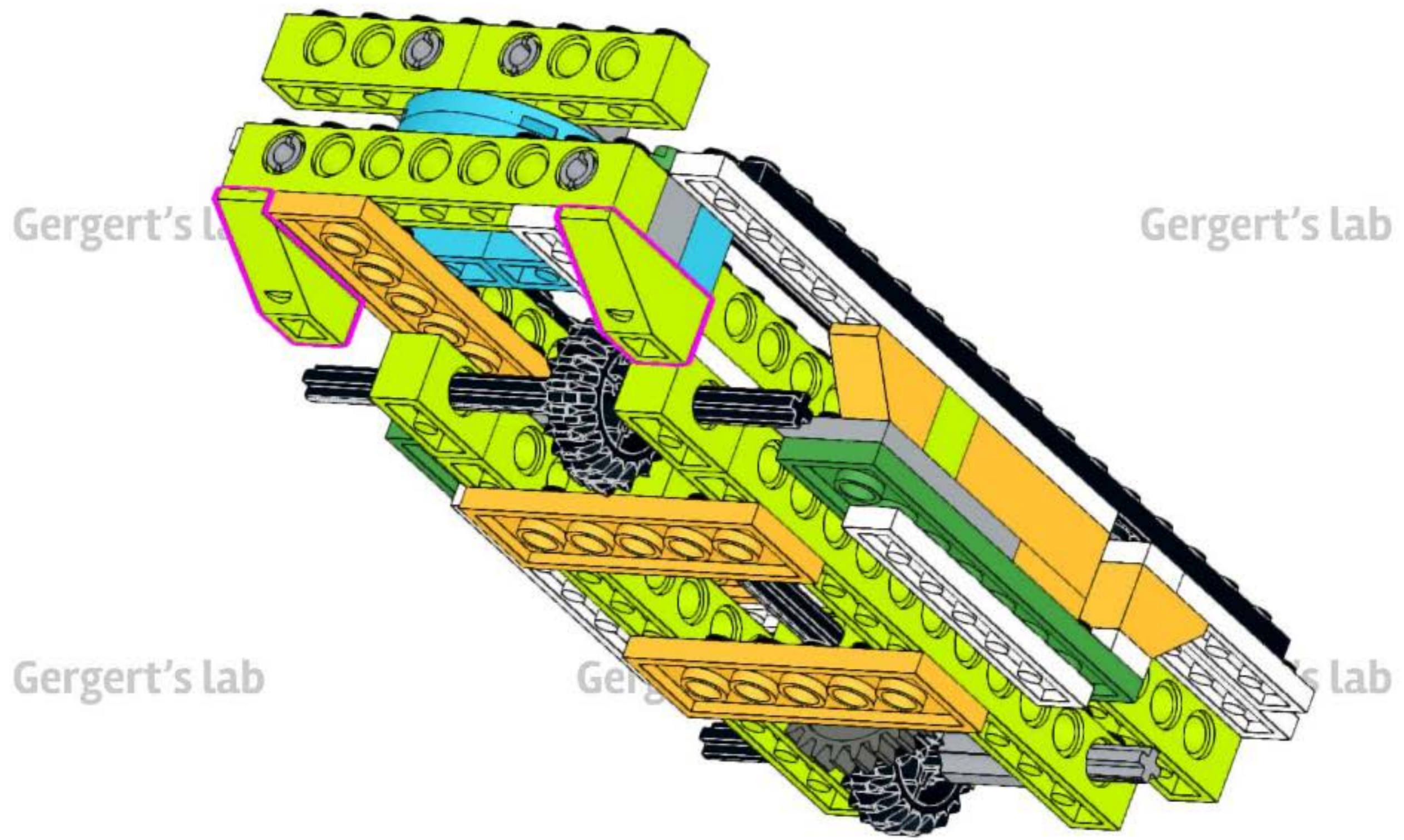
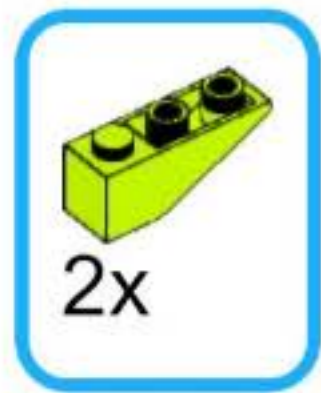
Gergert's lab

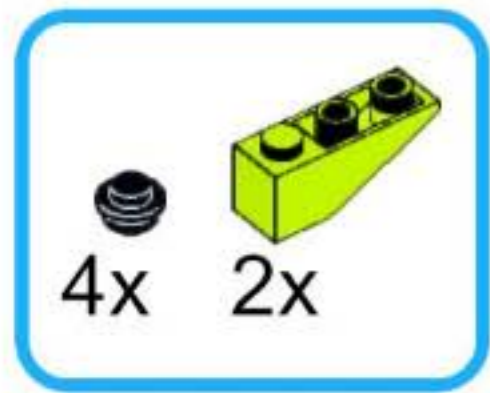


Gergert's lab

Gergert's lab

Gergert's lab





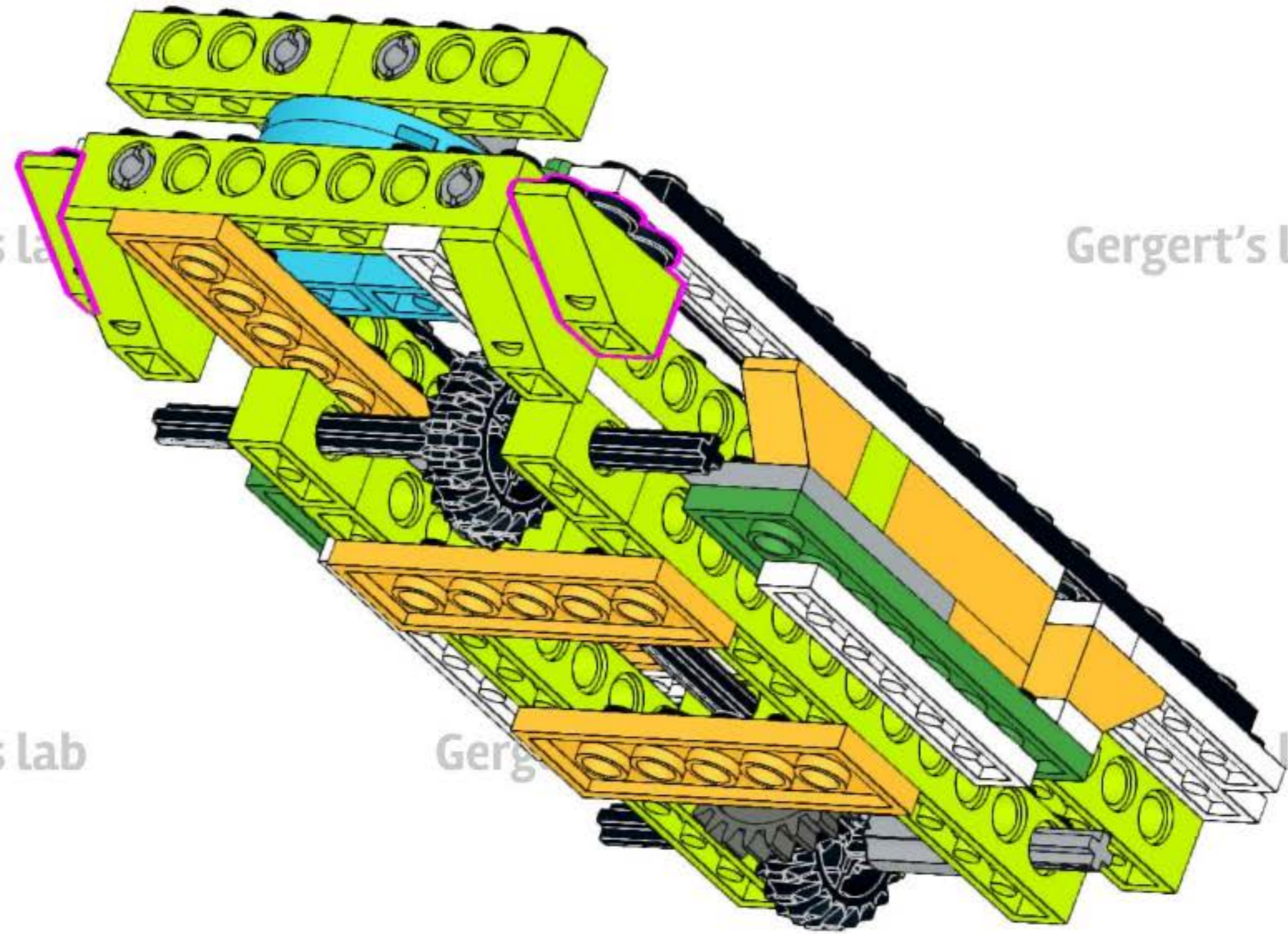
Gergert's lab

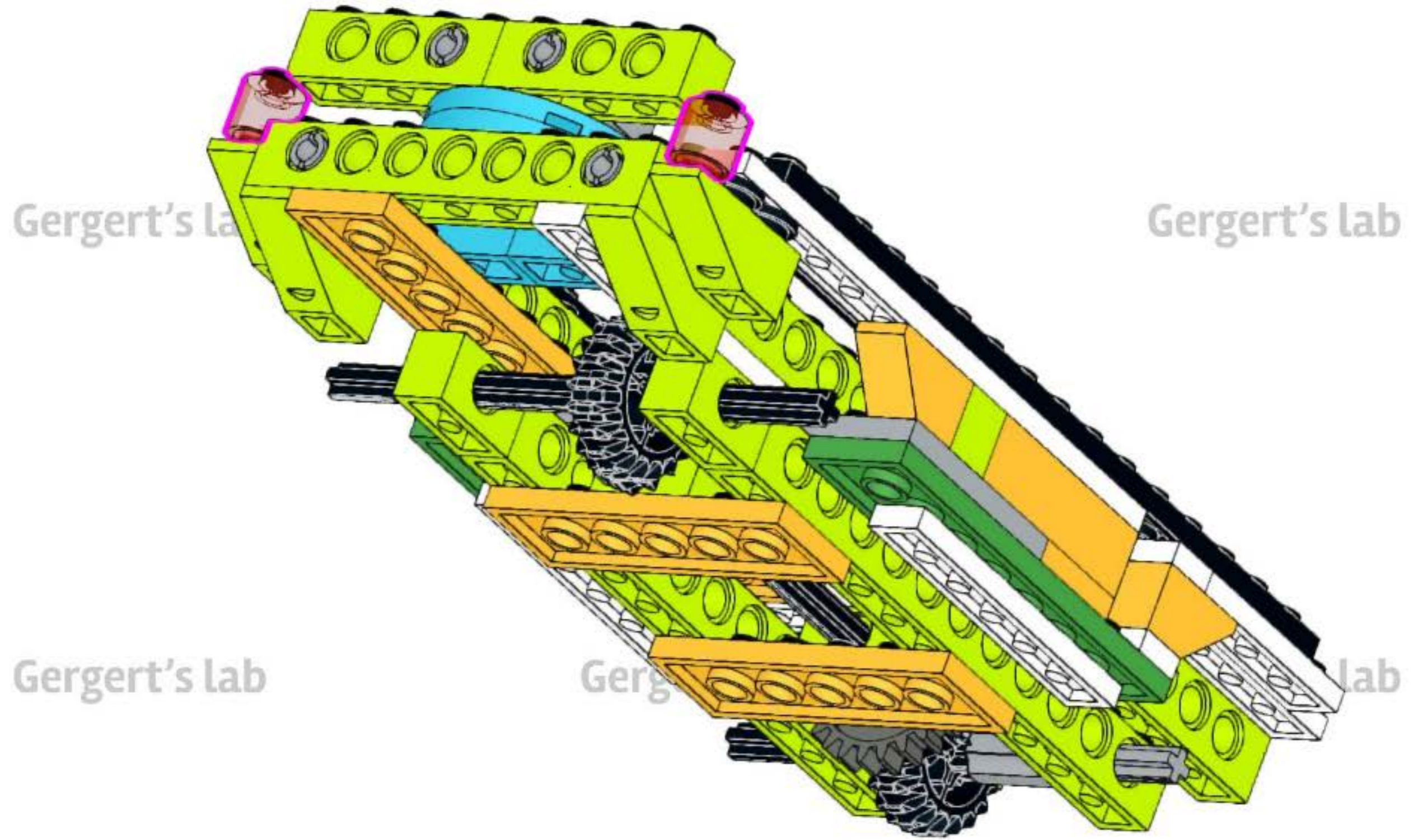
Gergert's lab

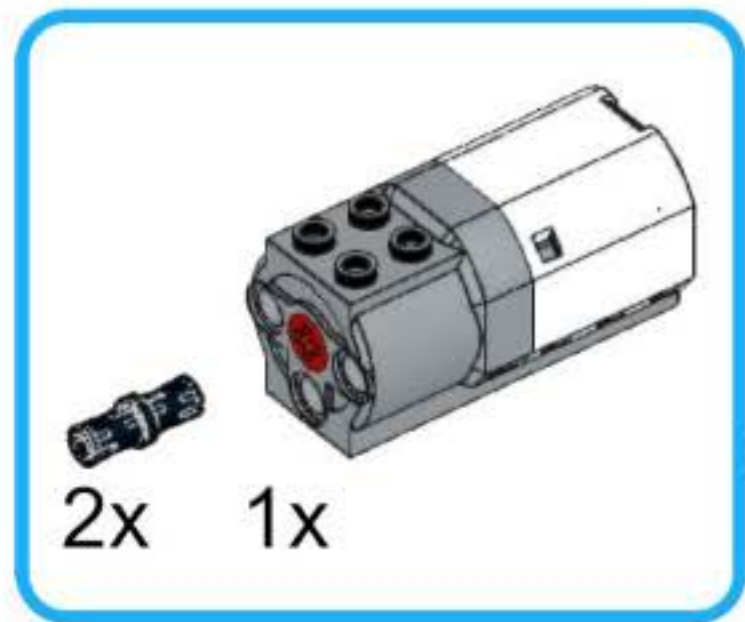
Gergert's lab

Gerg

lab



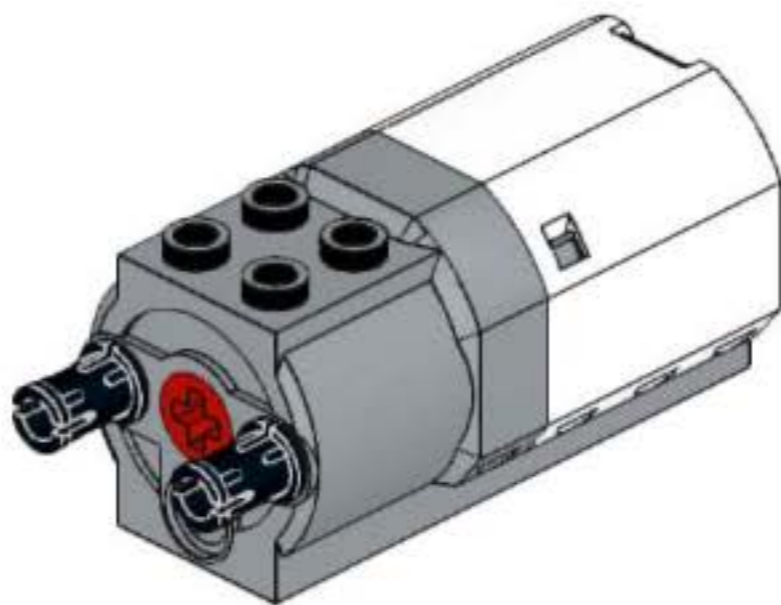




ab

Gergert's lab

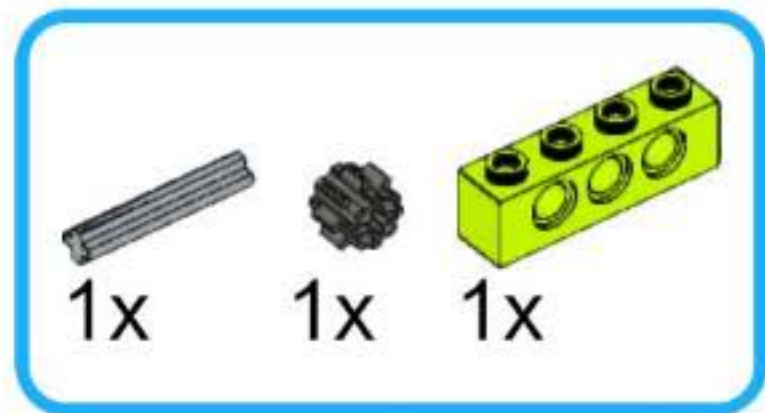
Gergert's lab



Gergert's lab

Gergert's lab

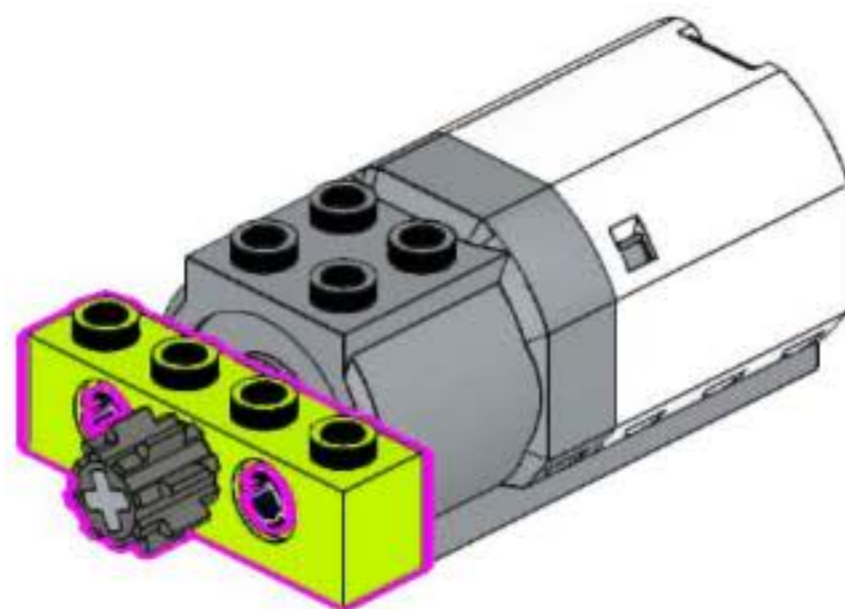
Gergert's lab



Gergert's lab

Gergert's lab

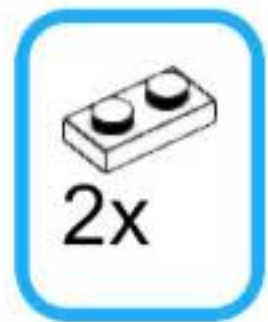
Gergert's lab



Gergert's lab

Gergert's lab

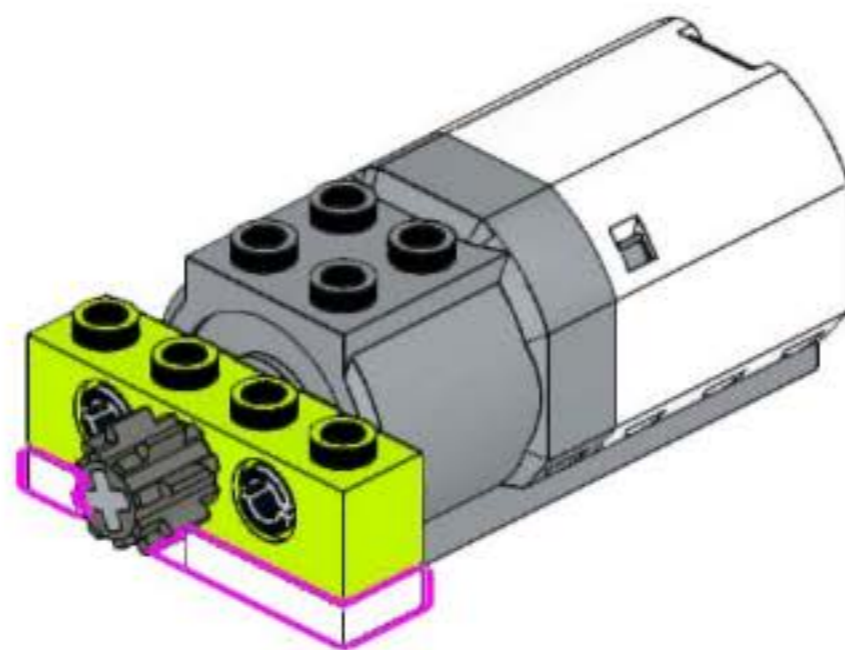
Gergert's lab



Gergert's lab

Gergert's lab

Gergert's lab



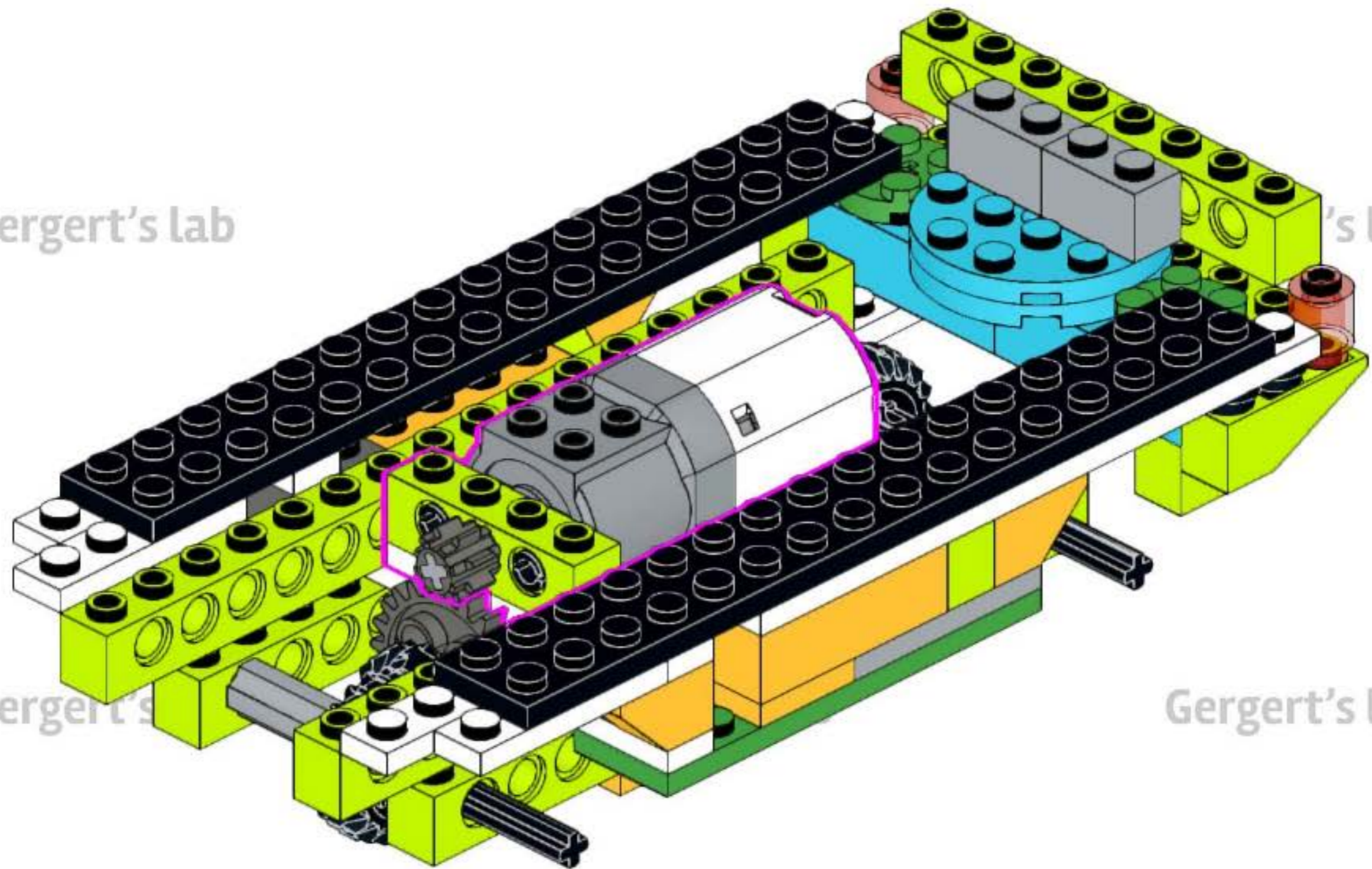
Gergert's lab

Gergert's lab

Gergert's lab

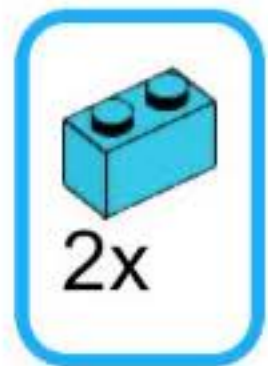
Gergert's lab

Gergert's



's lab

Gergert's lab

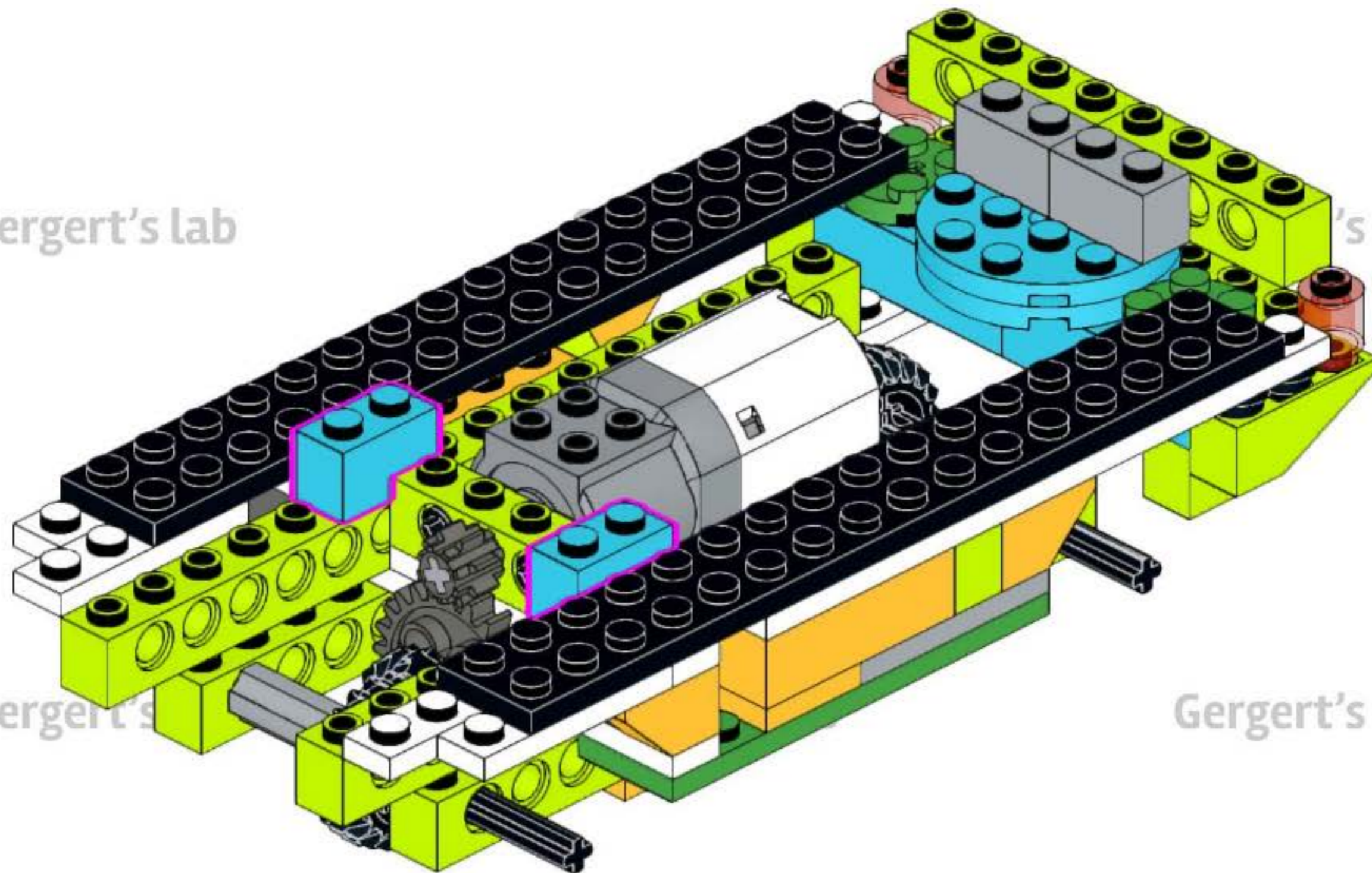


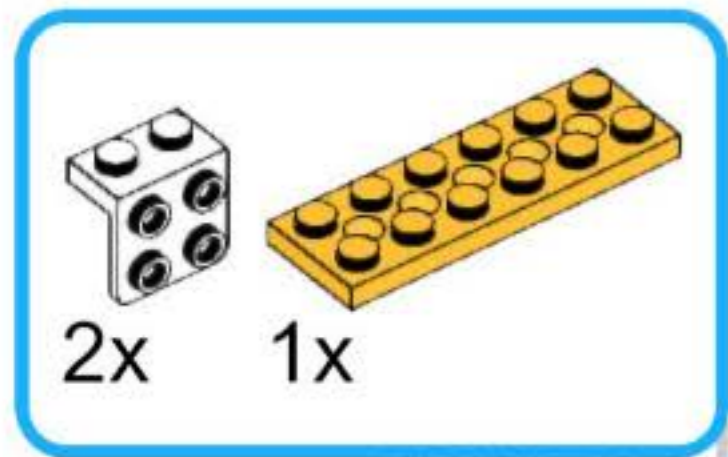
Gergert's lab

Gergert's

Gergert's lab

's lab

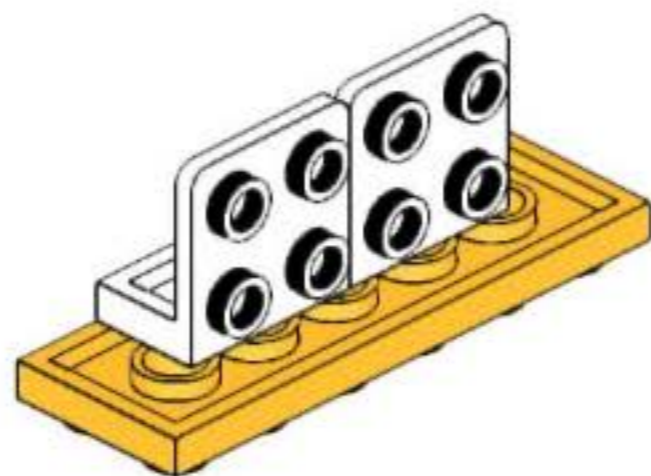




Gergert's lab

Gergert's lab

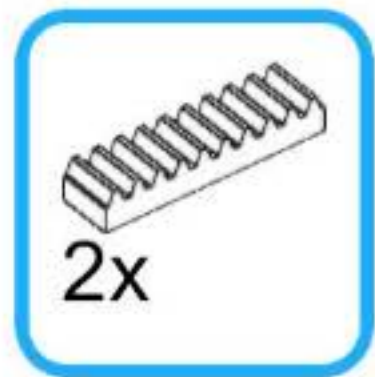
Gergert's lab



Gergert's lab

Gergert's lab

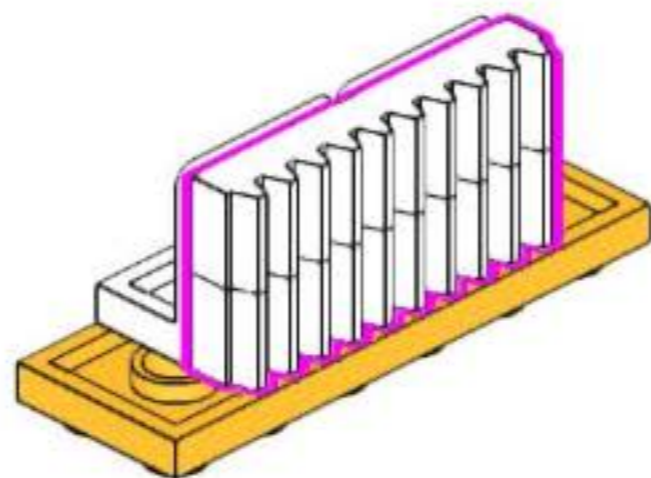
Gergert's lab



Gergert's lab

Gergert's lab

Gergert's lab



Gergert's lab

Gergert's lab

Gergert's lab

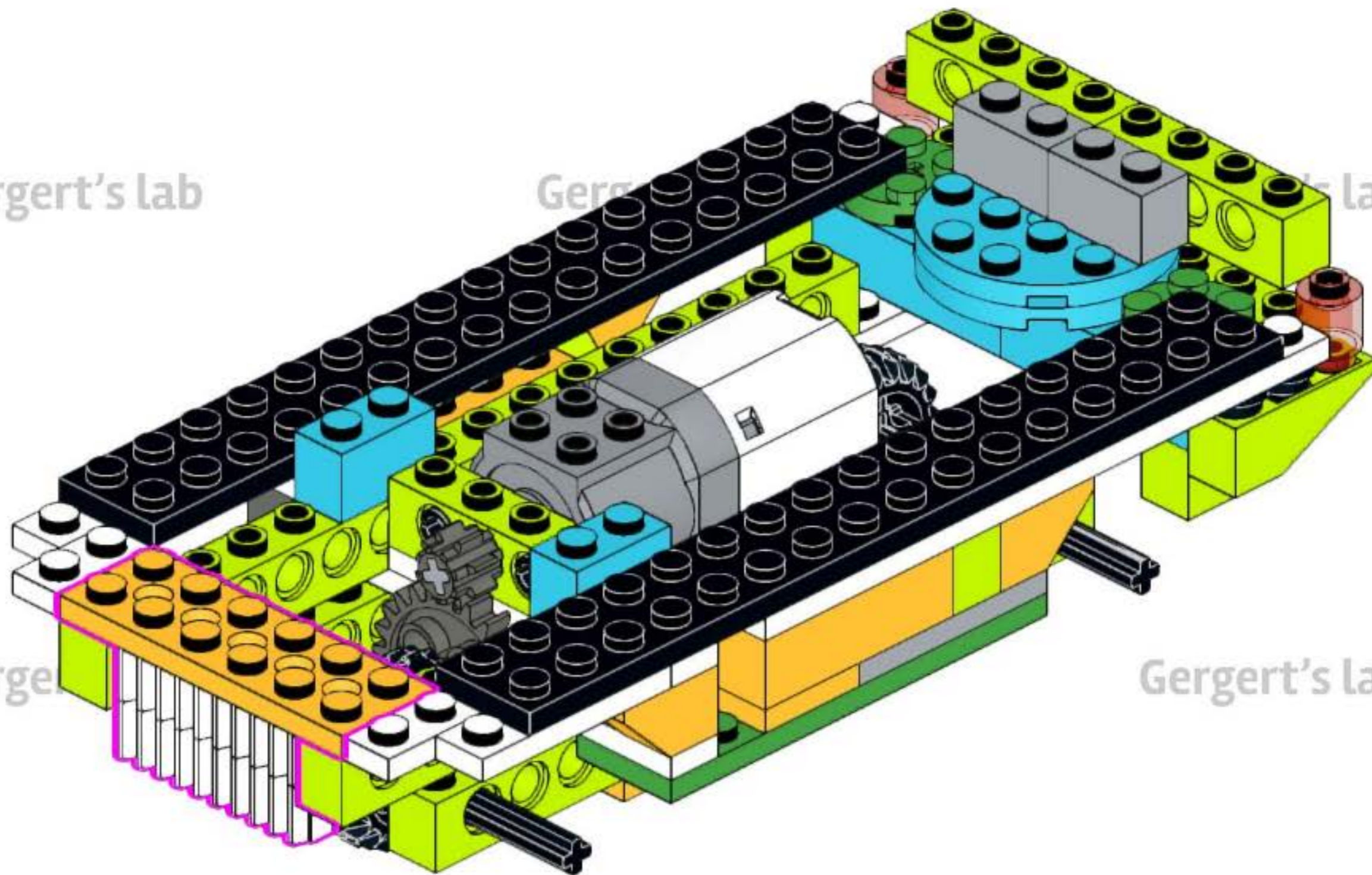
Gergert's lab

Gerg

's lab

Gerge

Gergert's lab

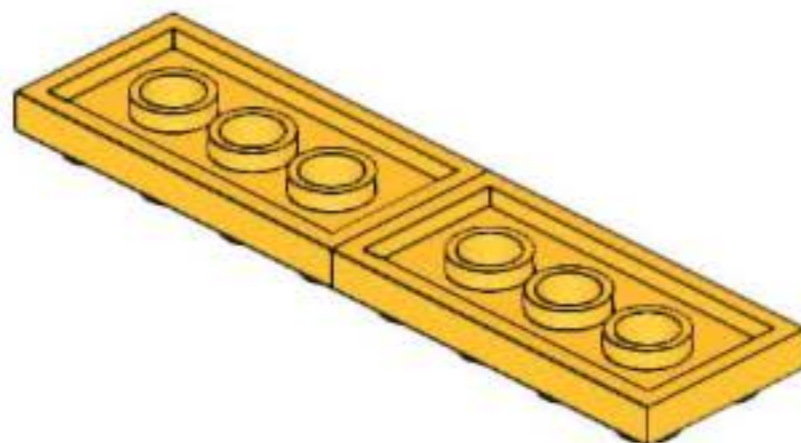




Gergert's lab

Gergert's lab

Gergert's lab



Gergert's lab

Gergert's lab

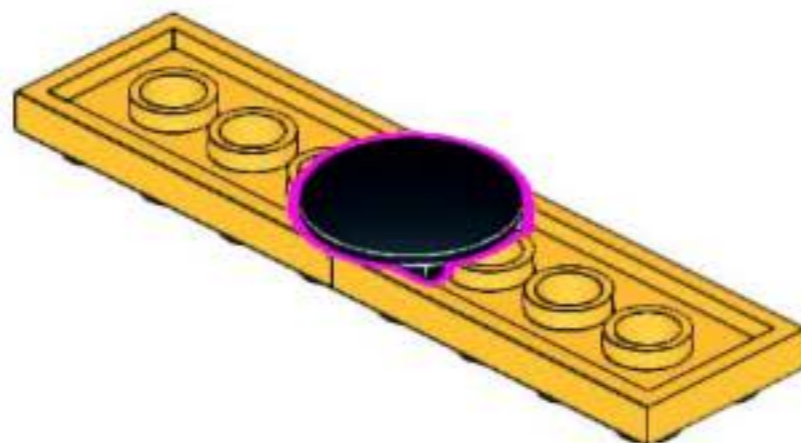
Gergert's lab



Gergert's lab

Gergert's lab

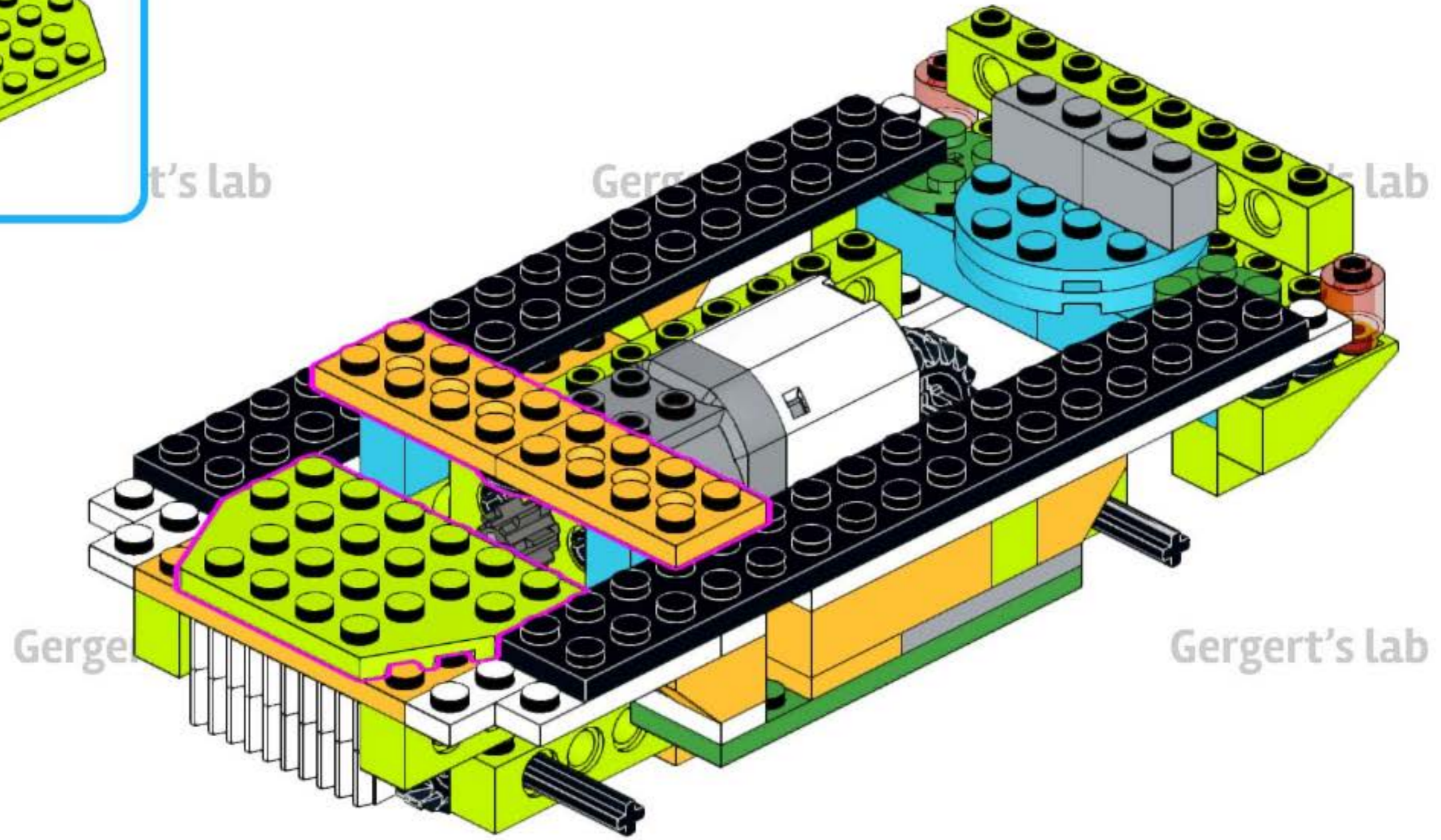
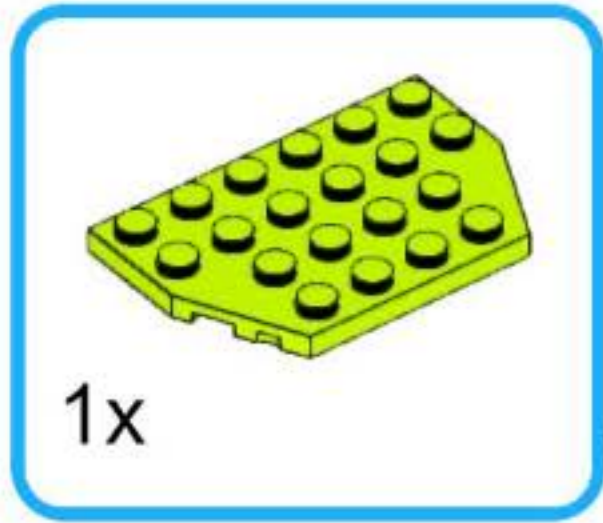
Gergert's lab

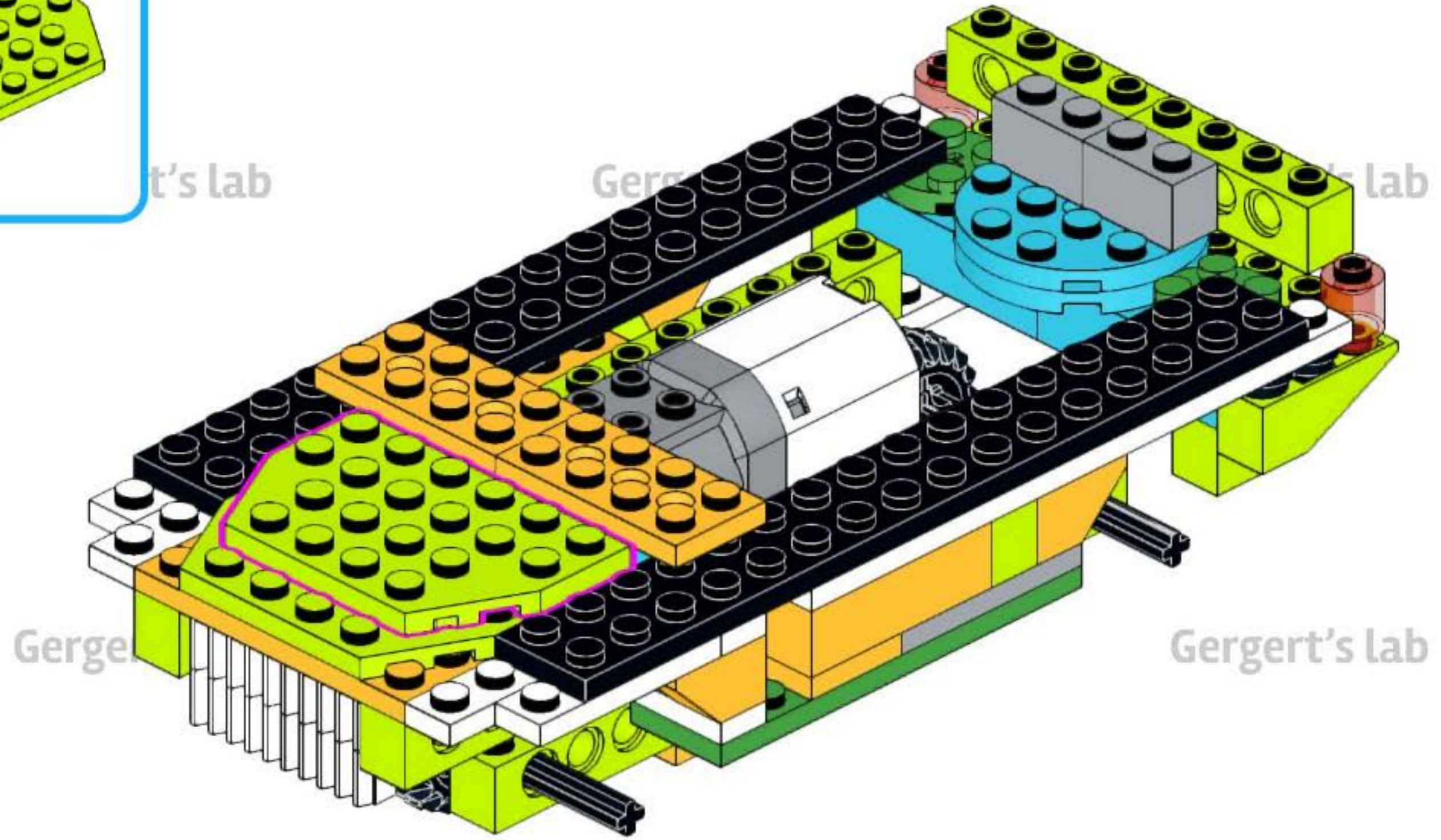
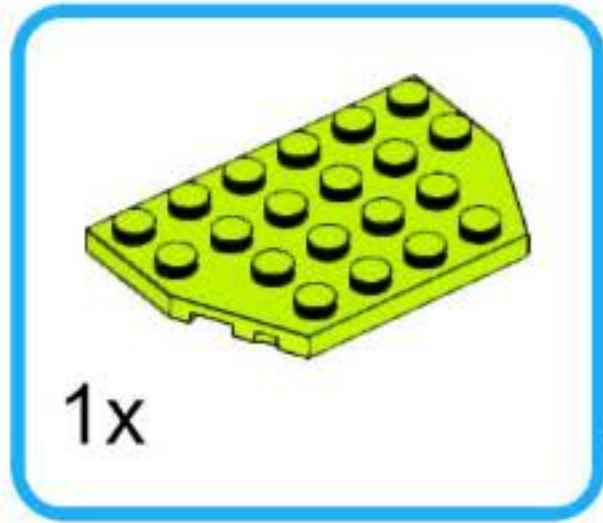


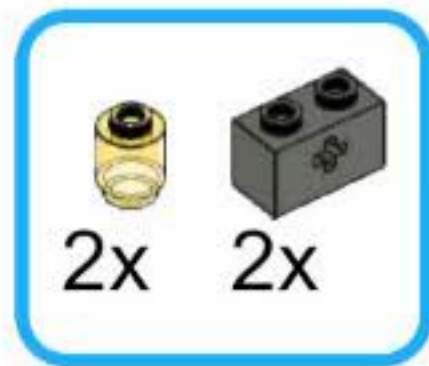
Gergert's lab

Gergert's lab

Gergert's lab







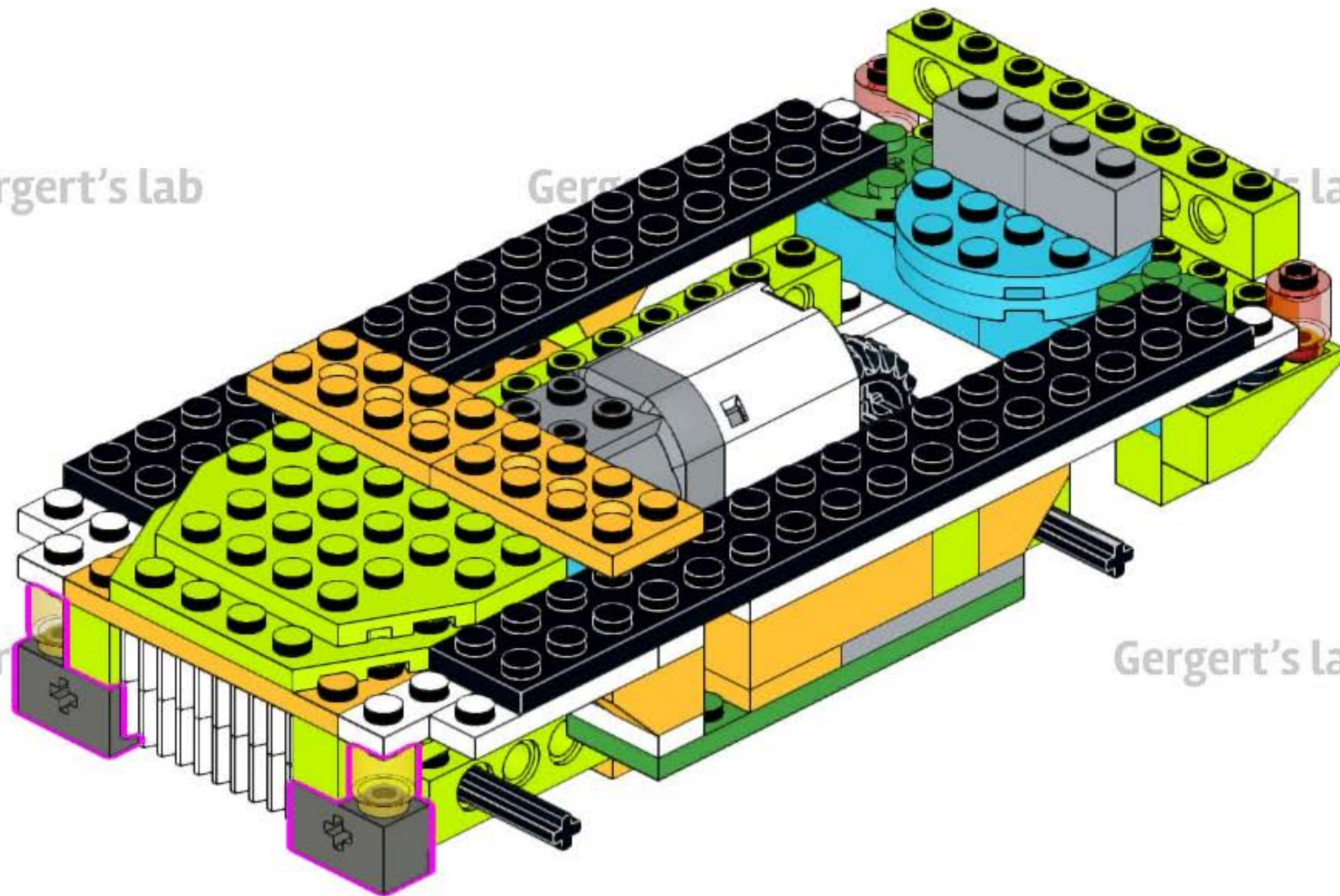
Gergert's lab

Gerg

's lab

Gerg

Gergert's lab

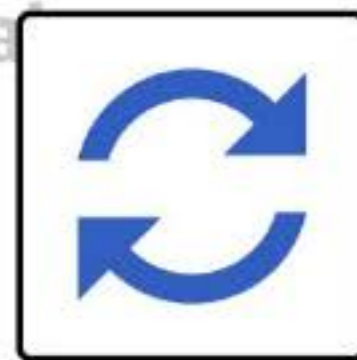
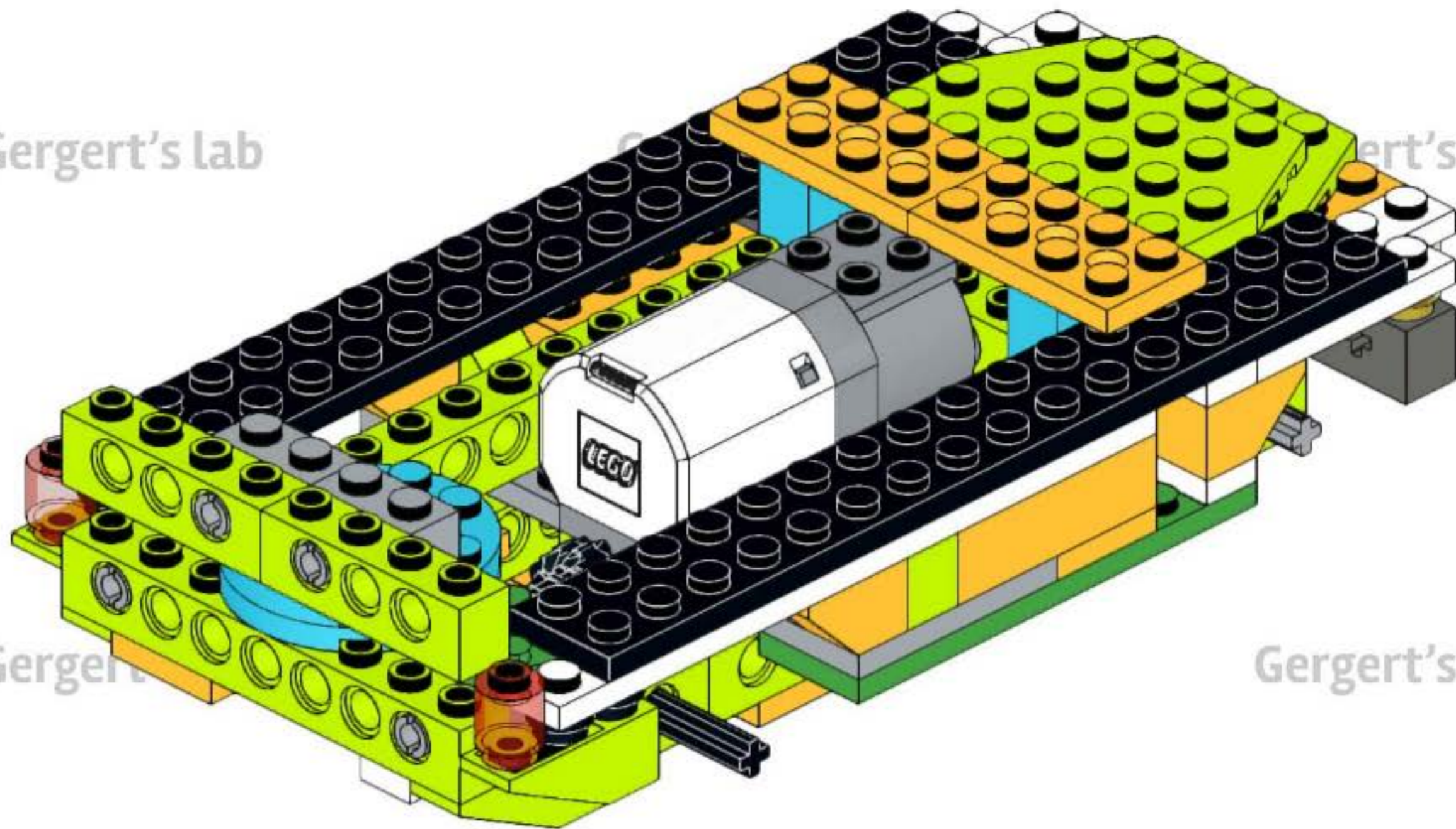


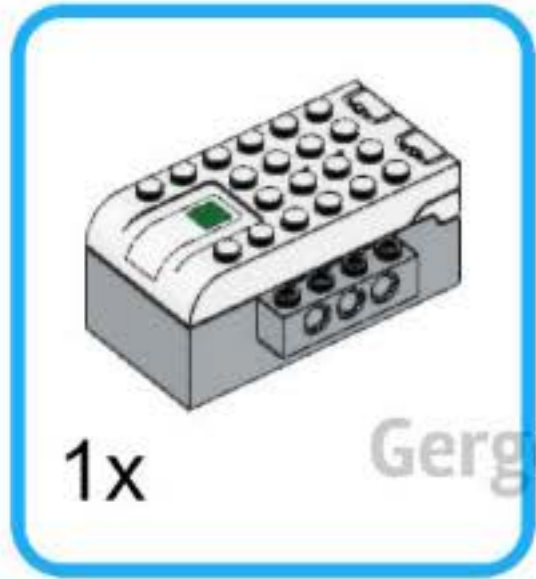
Gergert's lab

Gergert's lab

Gergert's lab

Gergert's lab



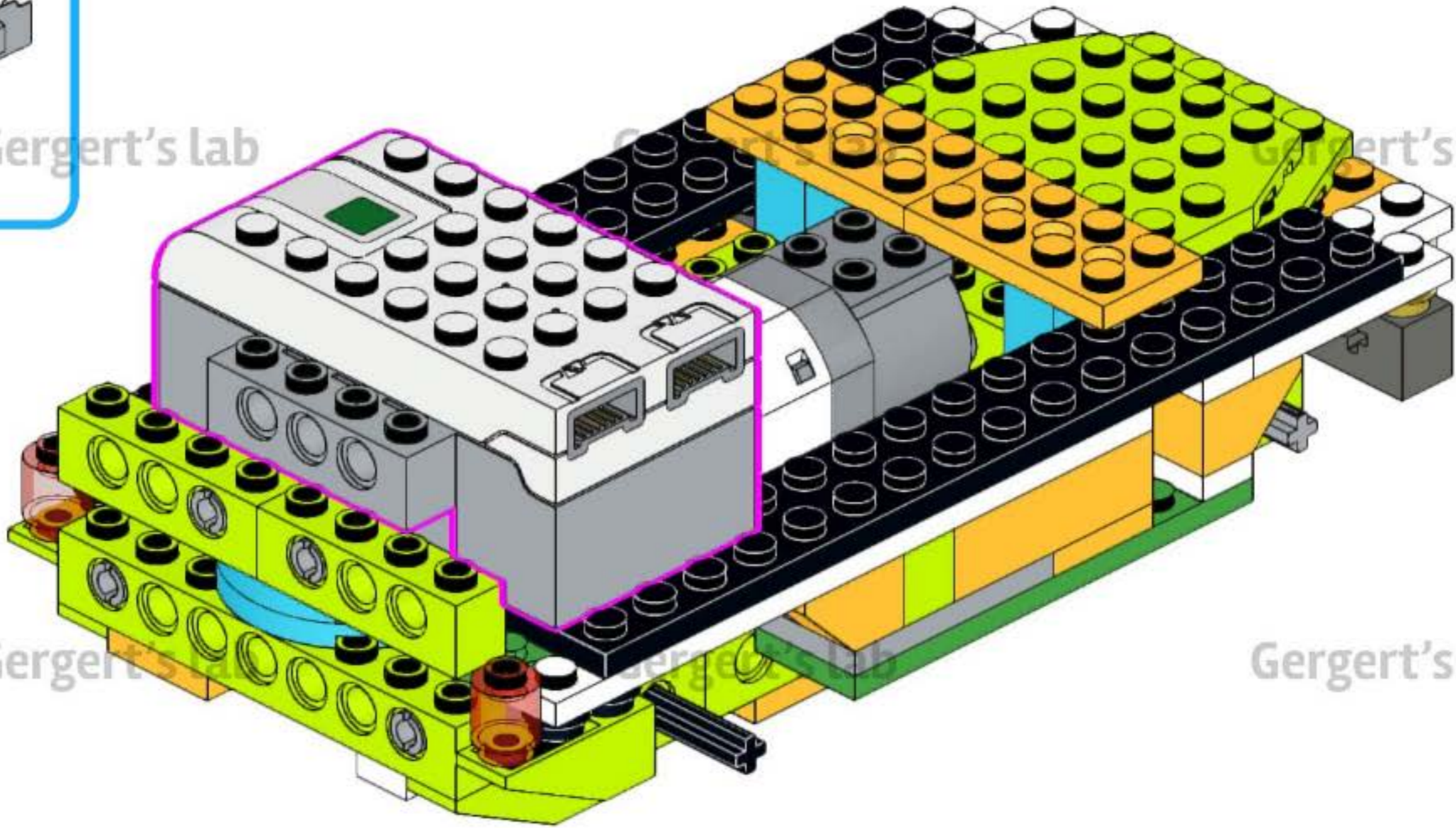


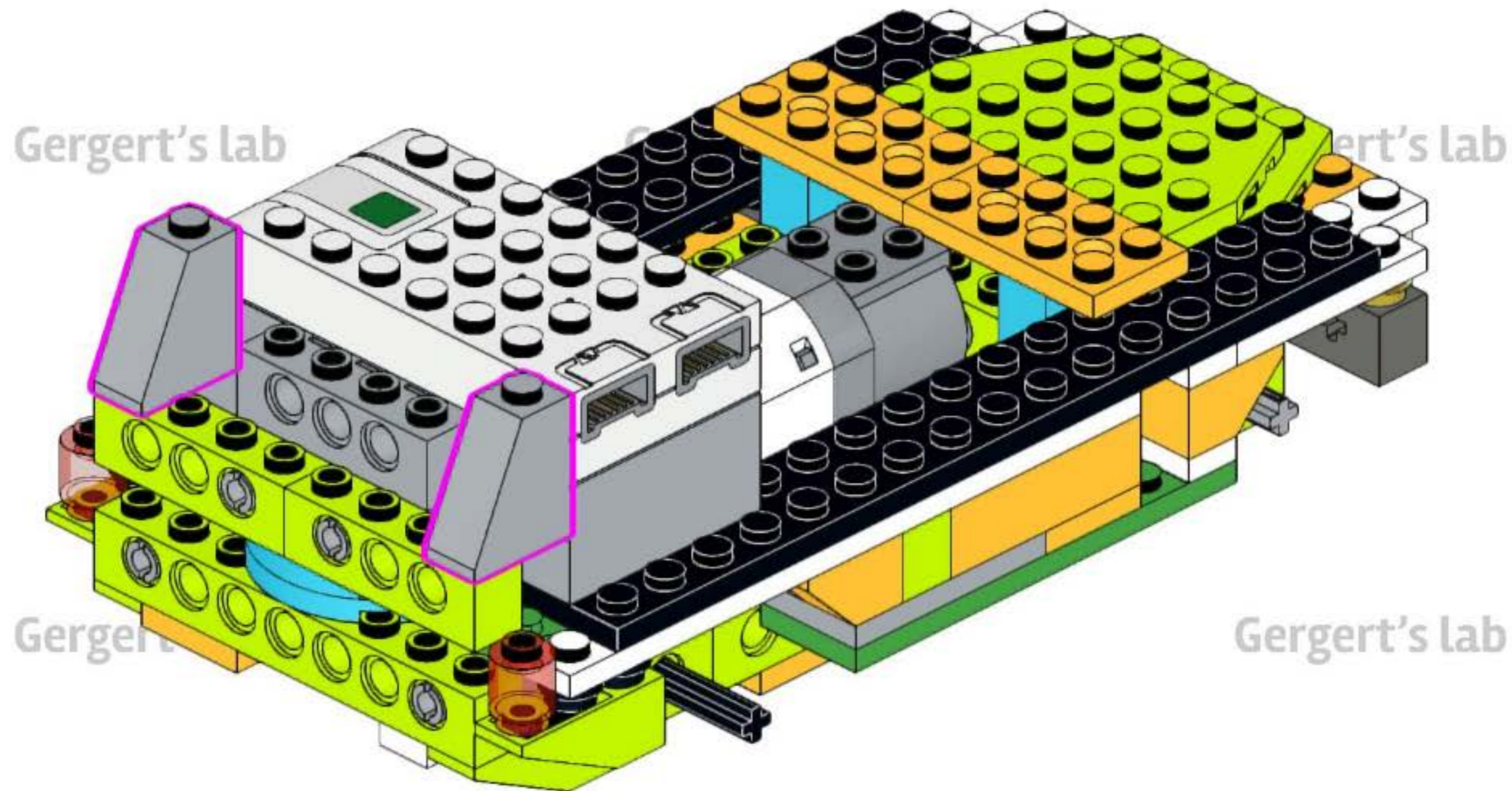
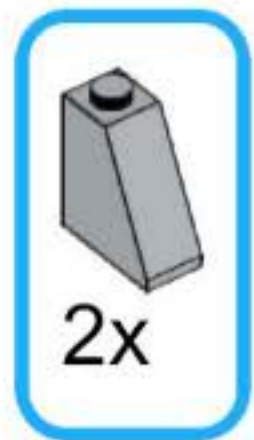
Gergert's lab

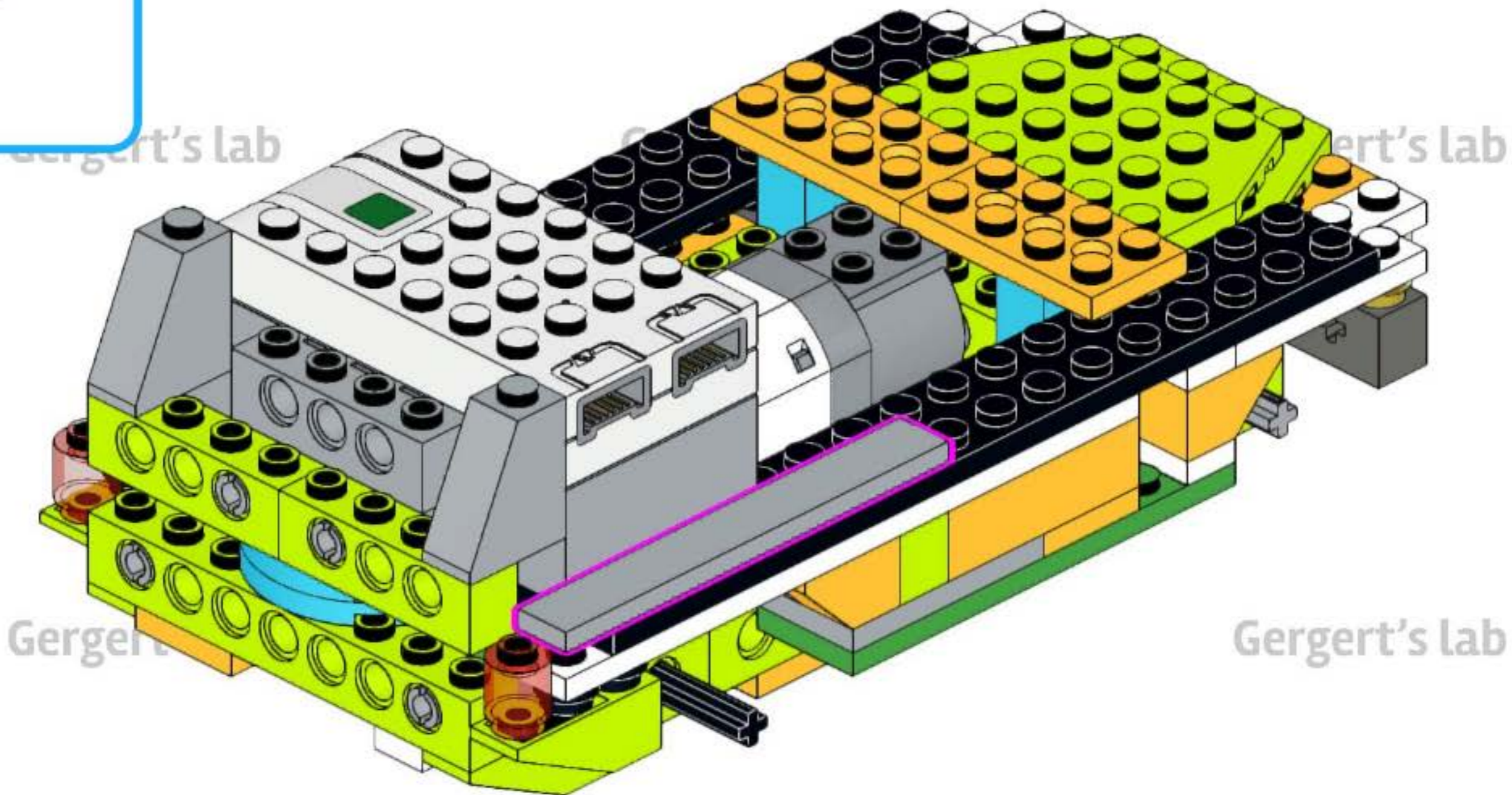
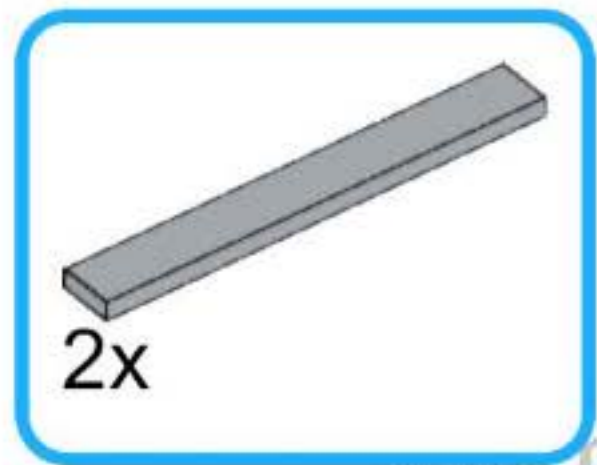
Gergert's lab

Gergert's lab

Gergert's lab







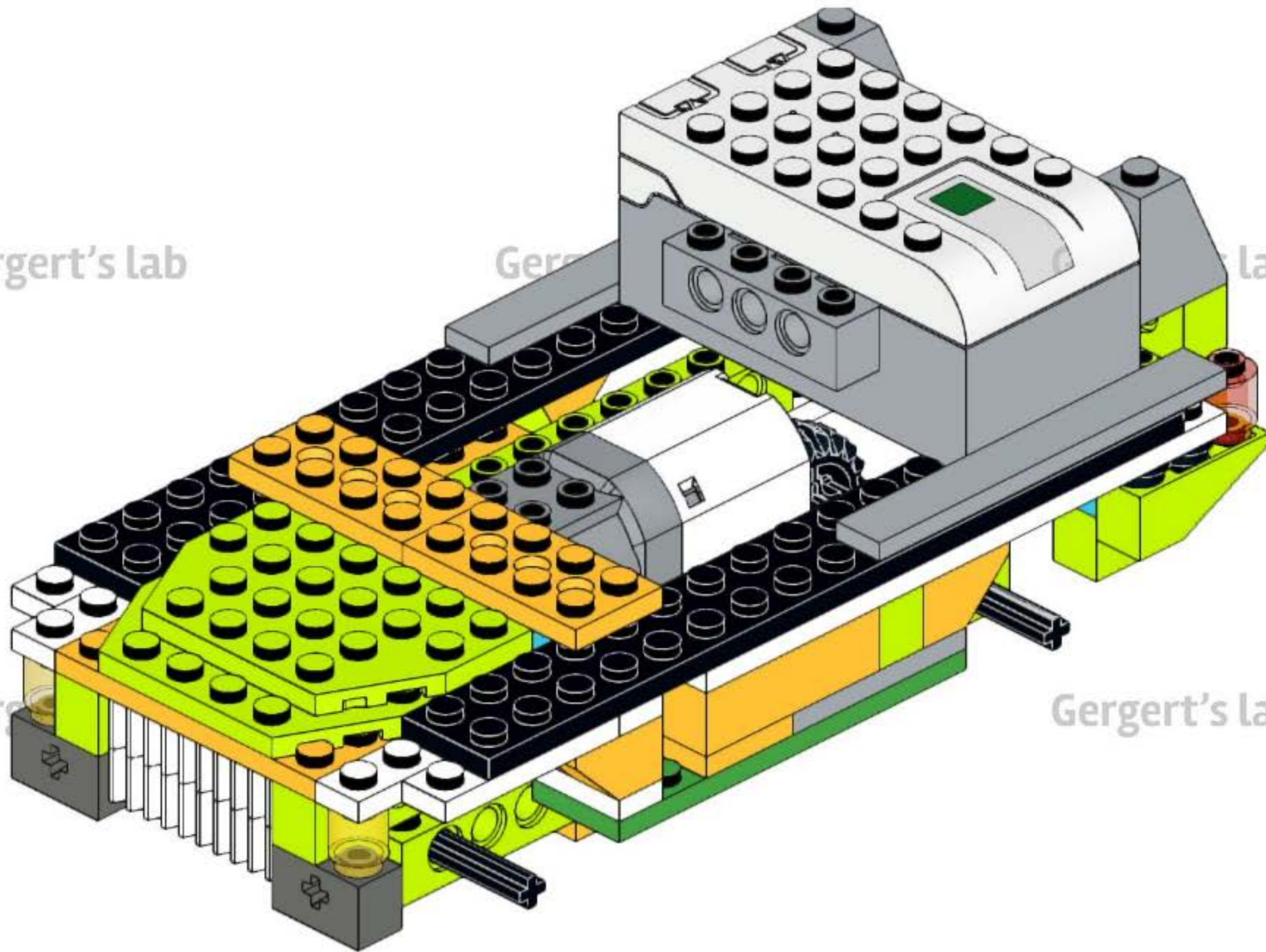
Gergert's lab

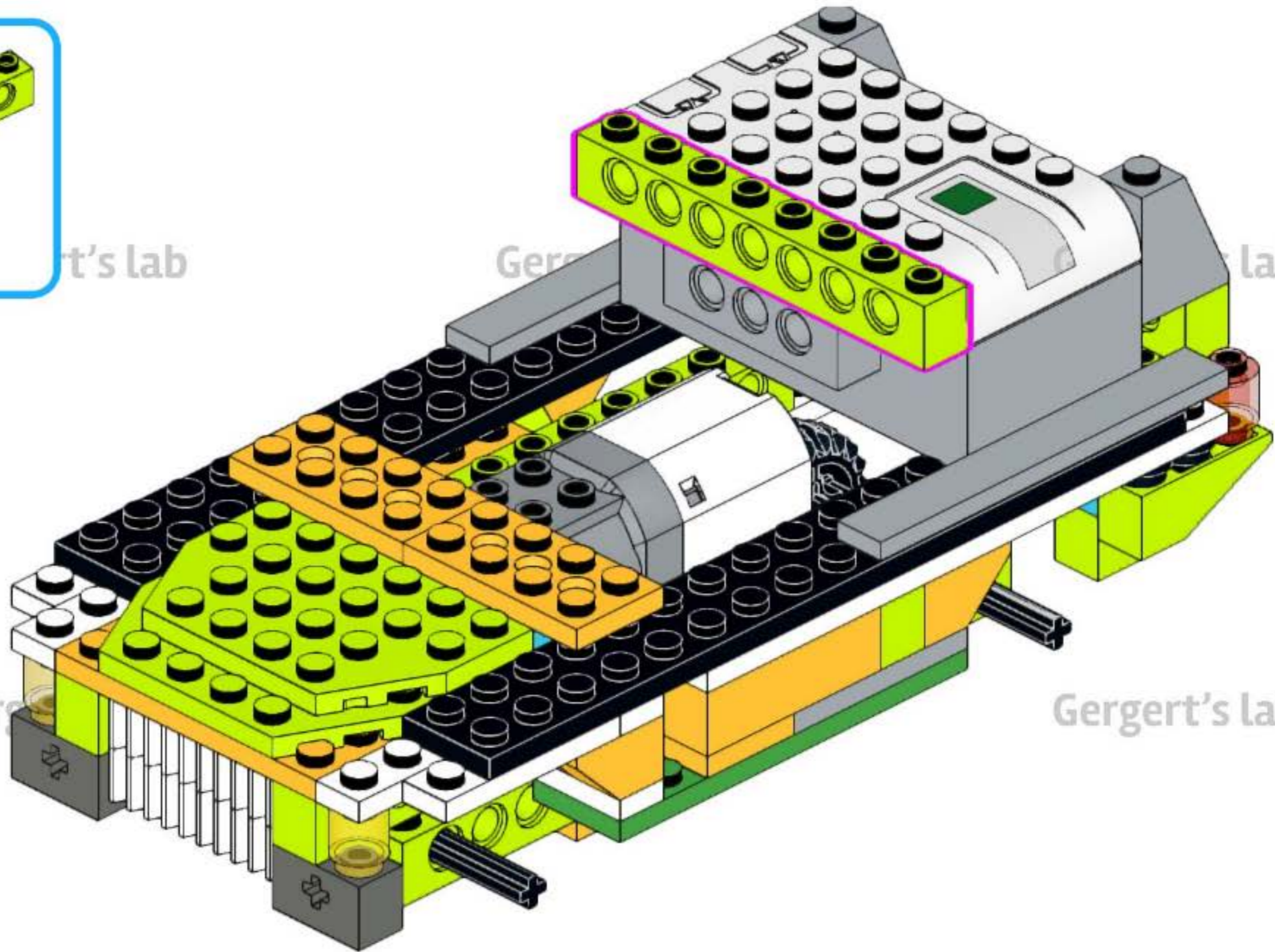
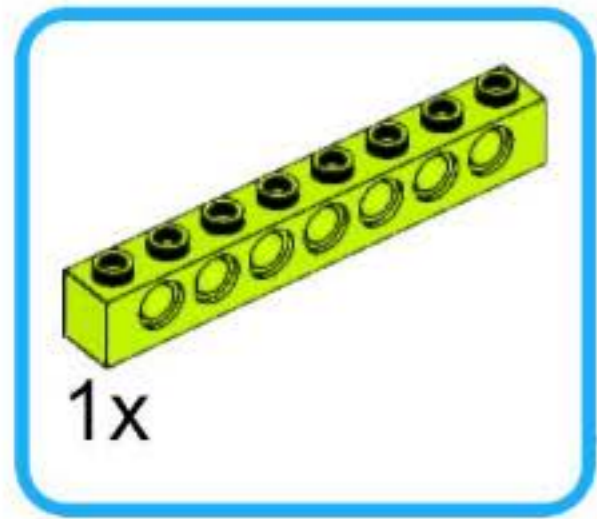
Gerg

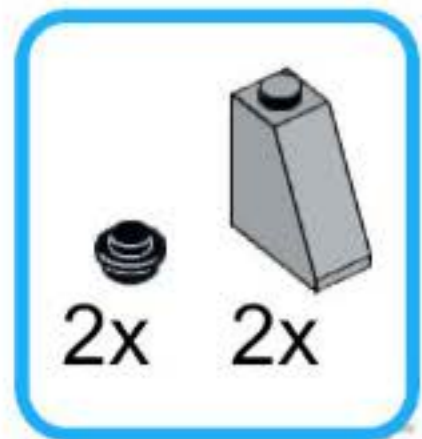
lab

Gerg

Gergert's lab







Gergert's lab

Gergert's lab

Gergert's lab

Gergert's lab

Gergert's lab

