

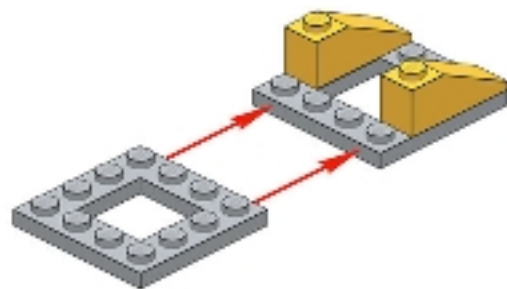


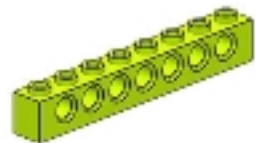
2x



2x

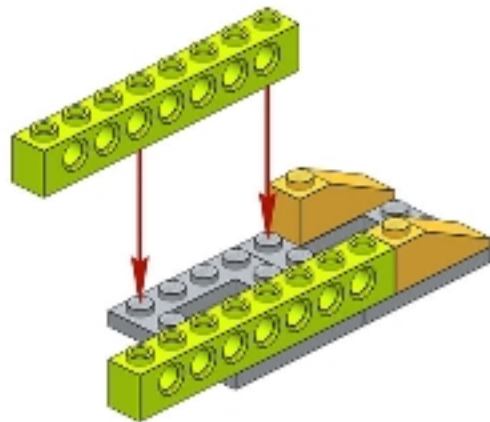
1

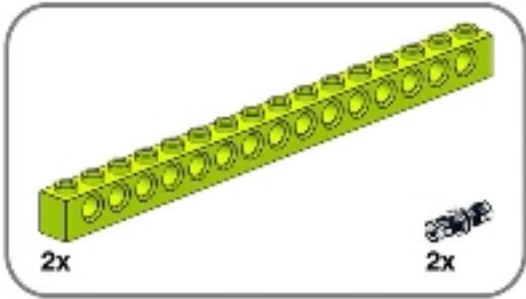




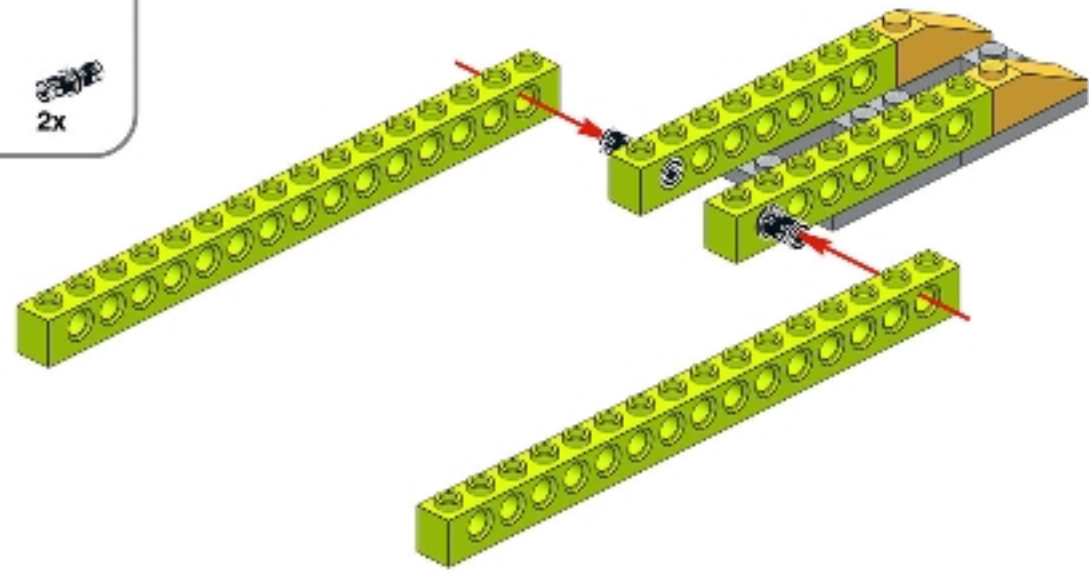
2x

2





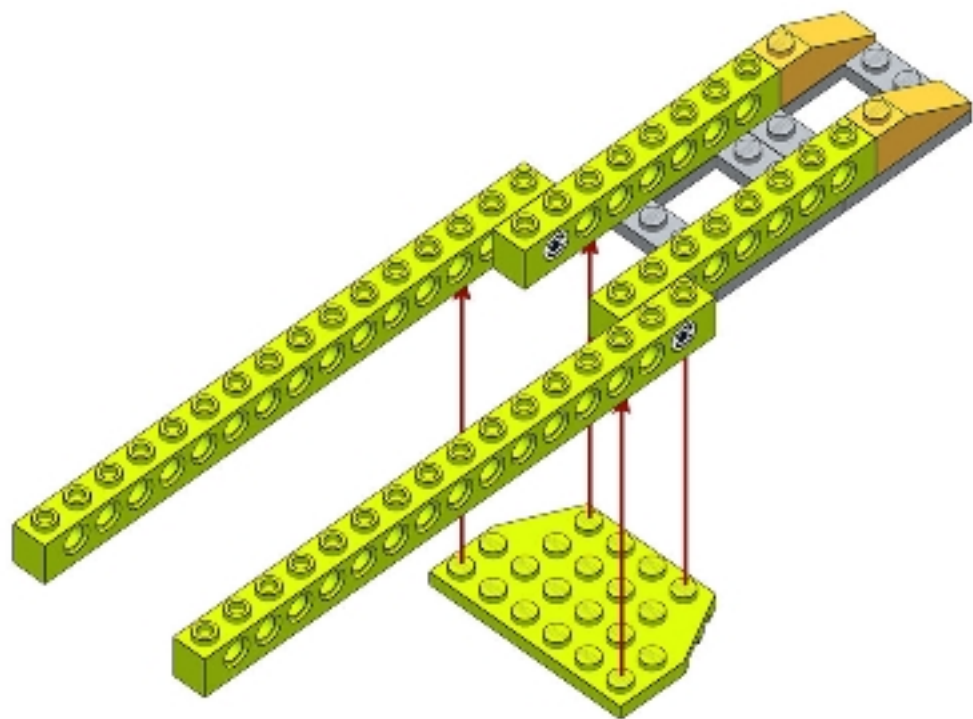
3





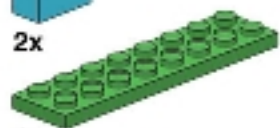
1x

4



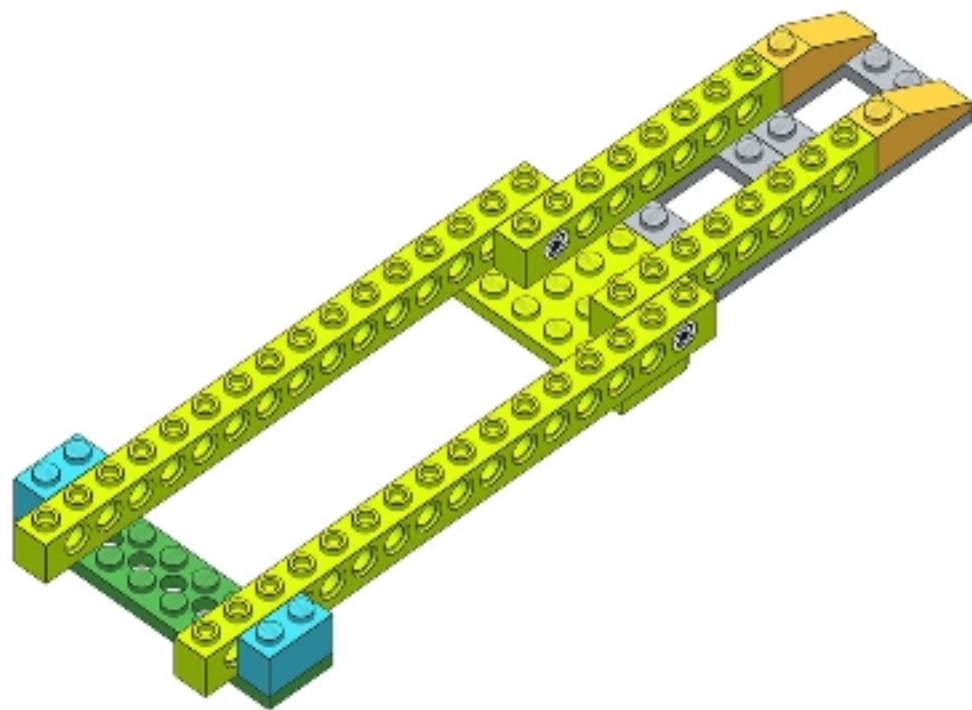


2x



1x

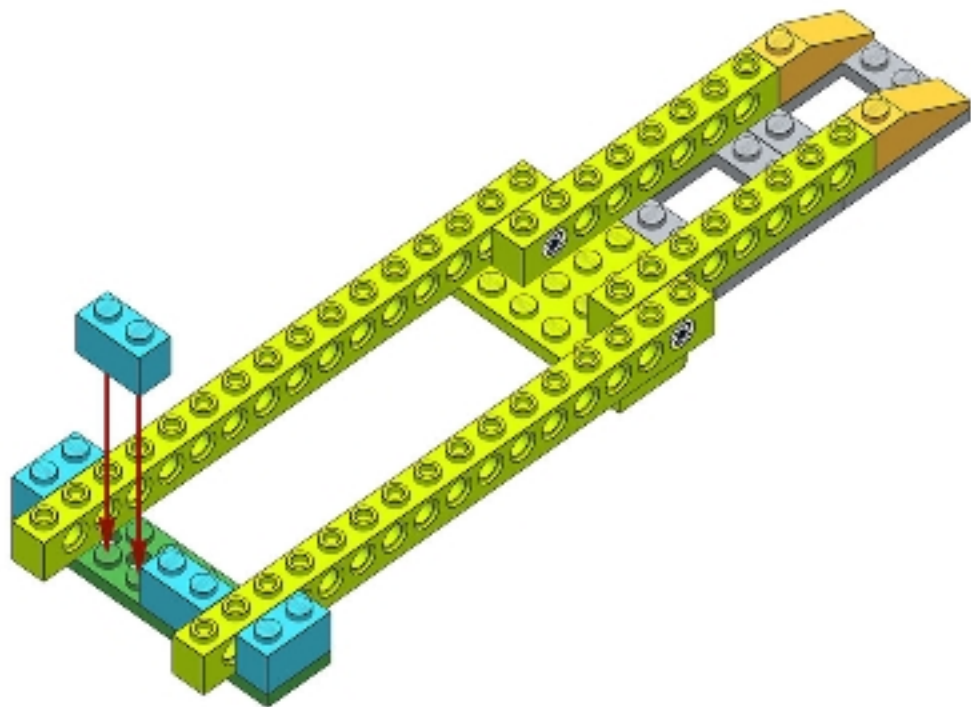
5

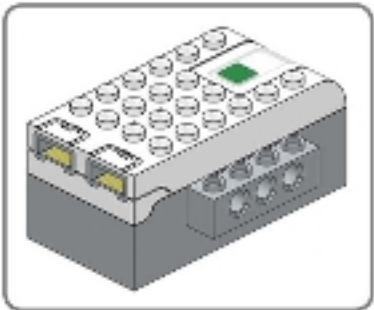




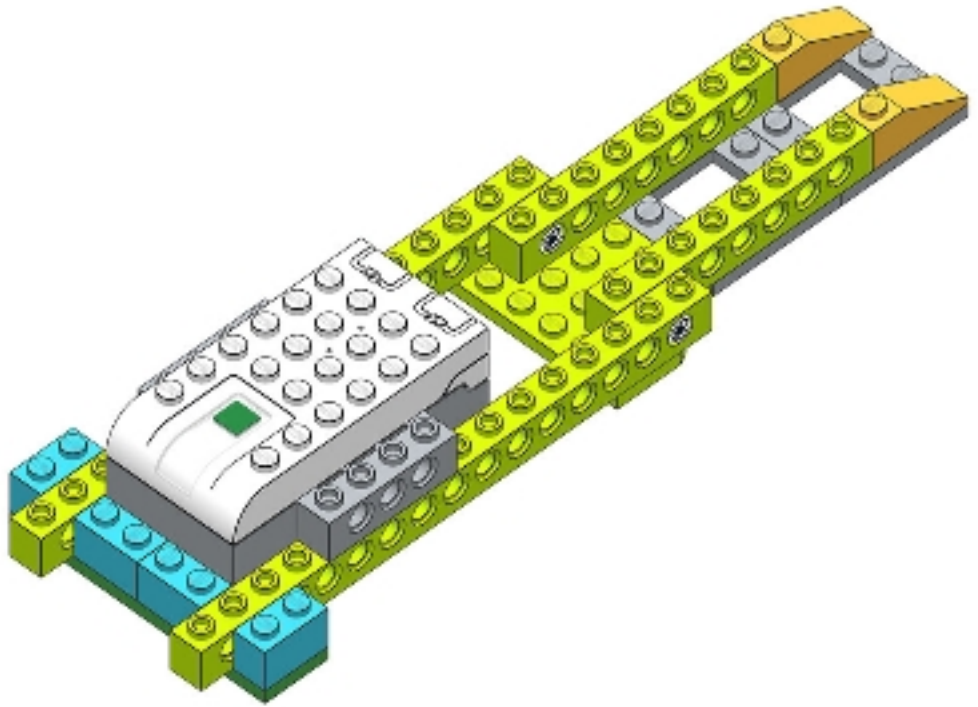
2x

6





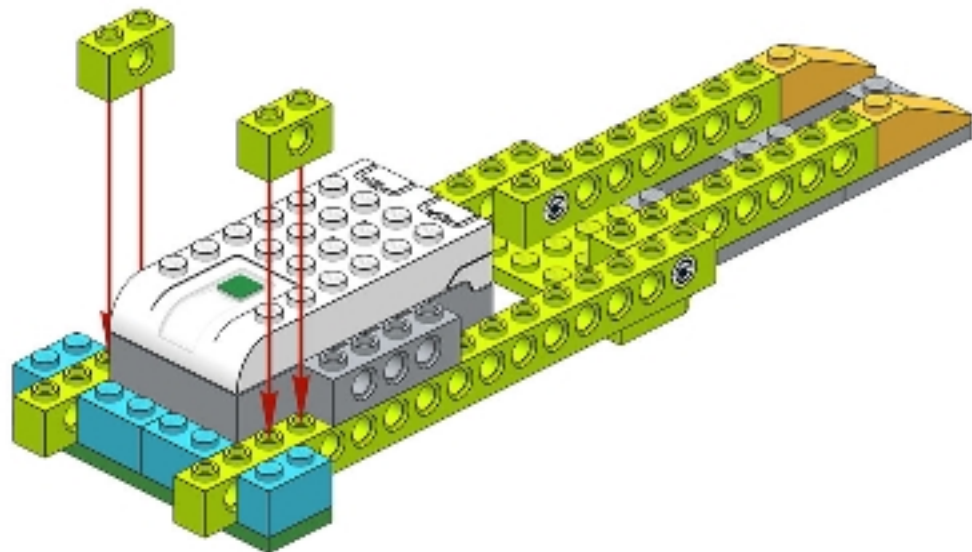
7

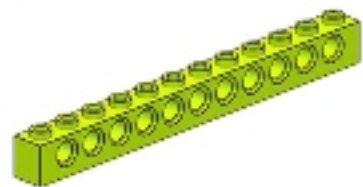




2x

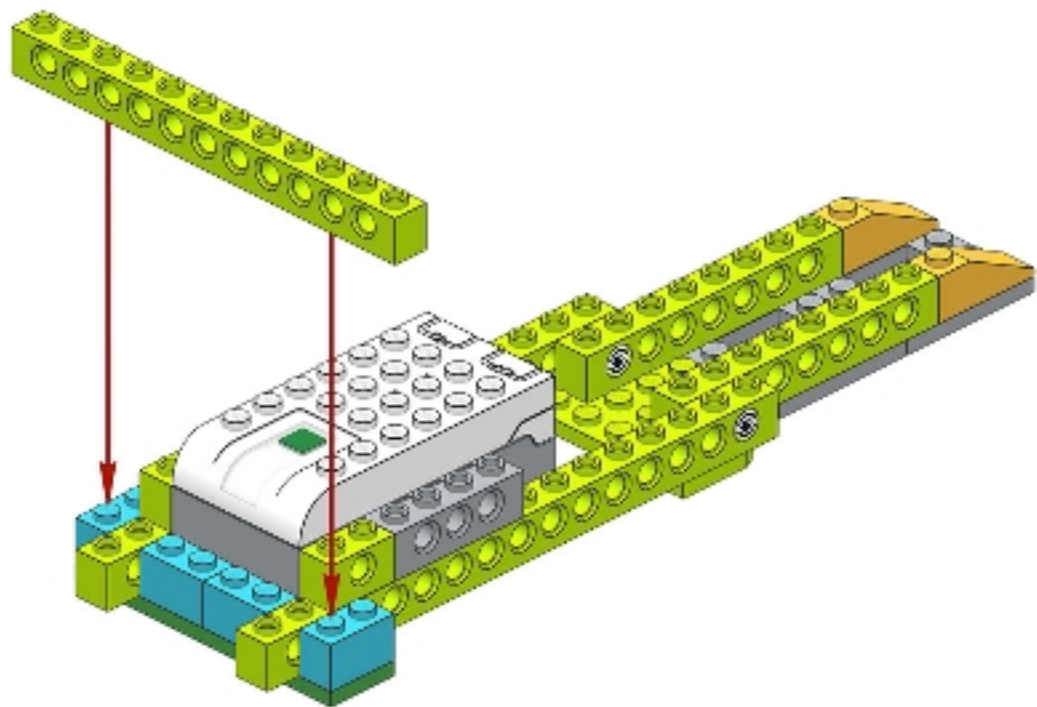
8





1x

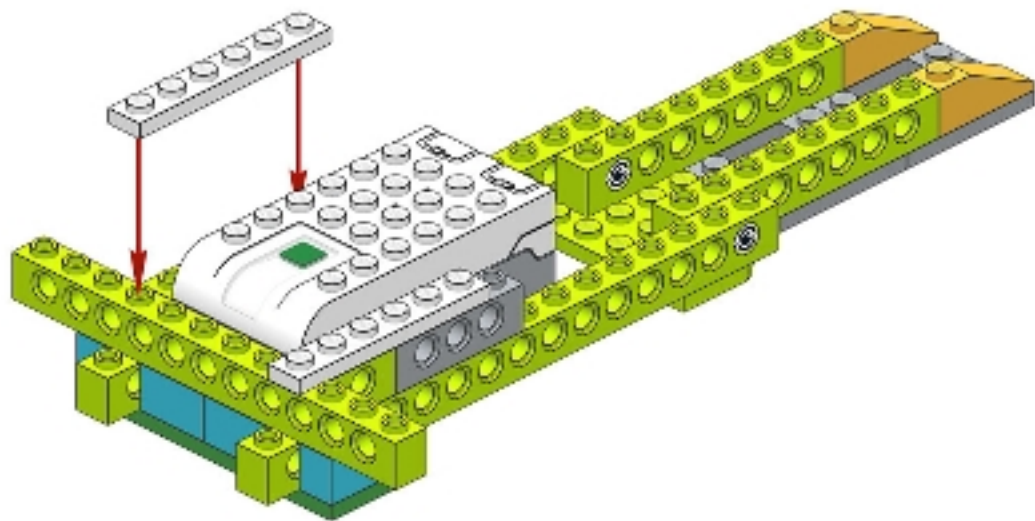
9



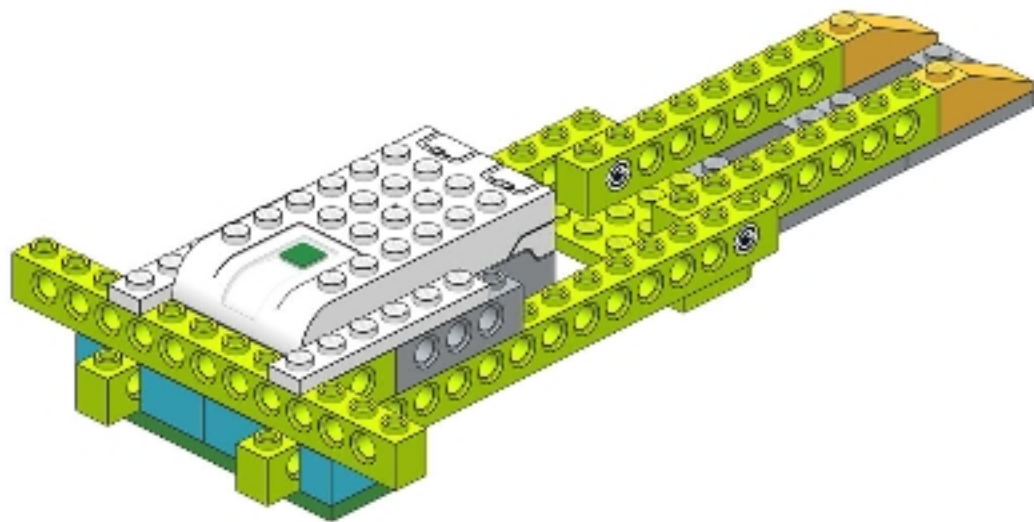


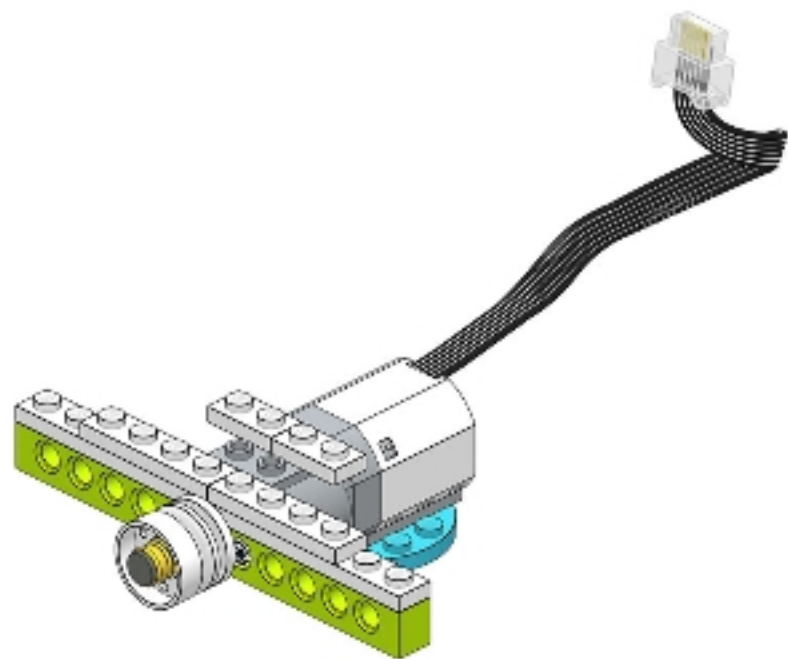
2x

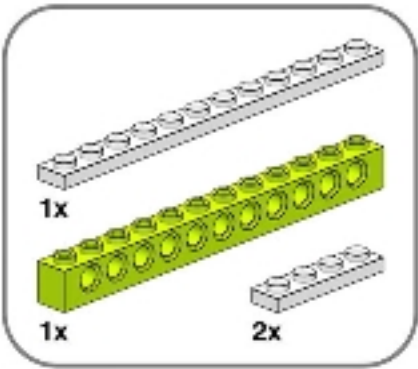
10



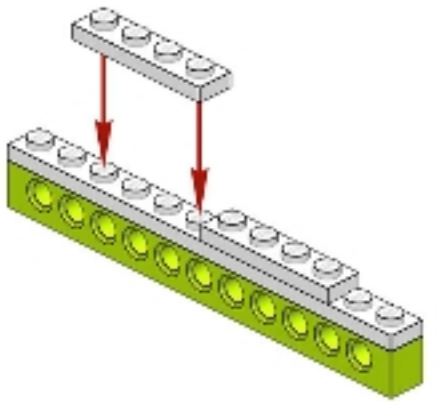
11



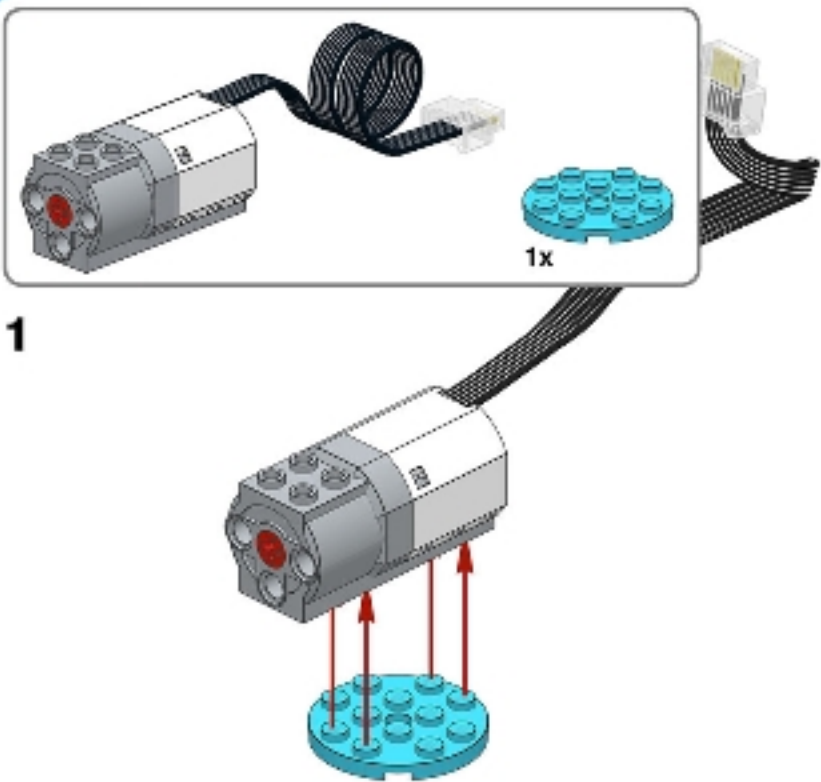




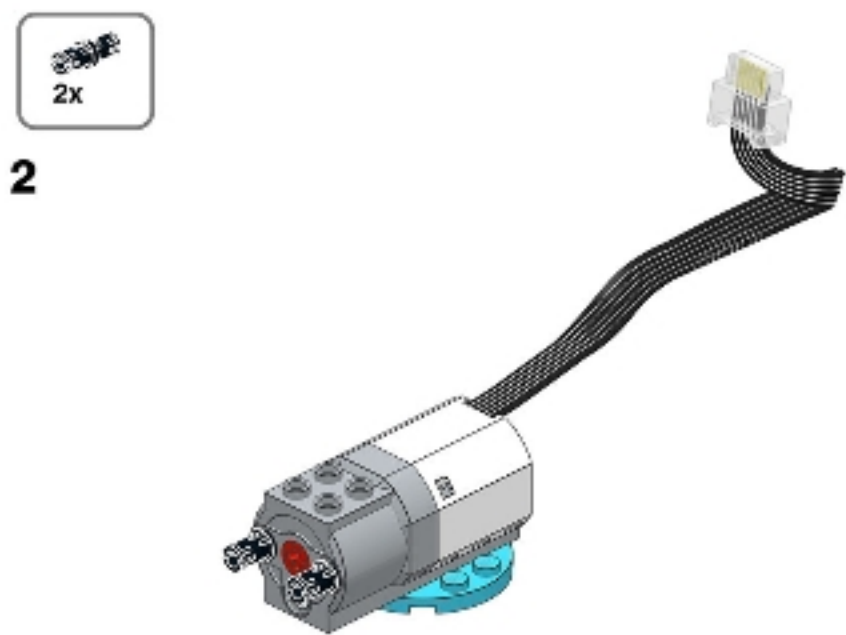
13



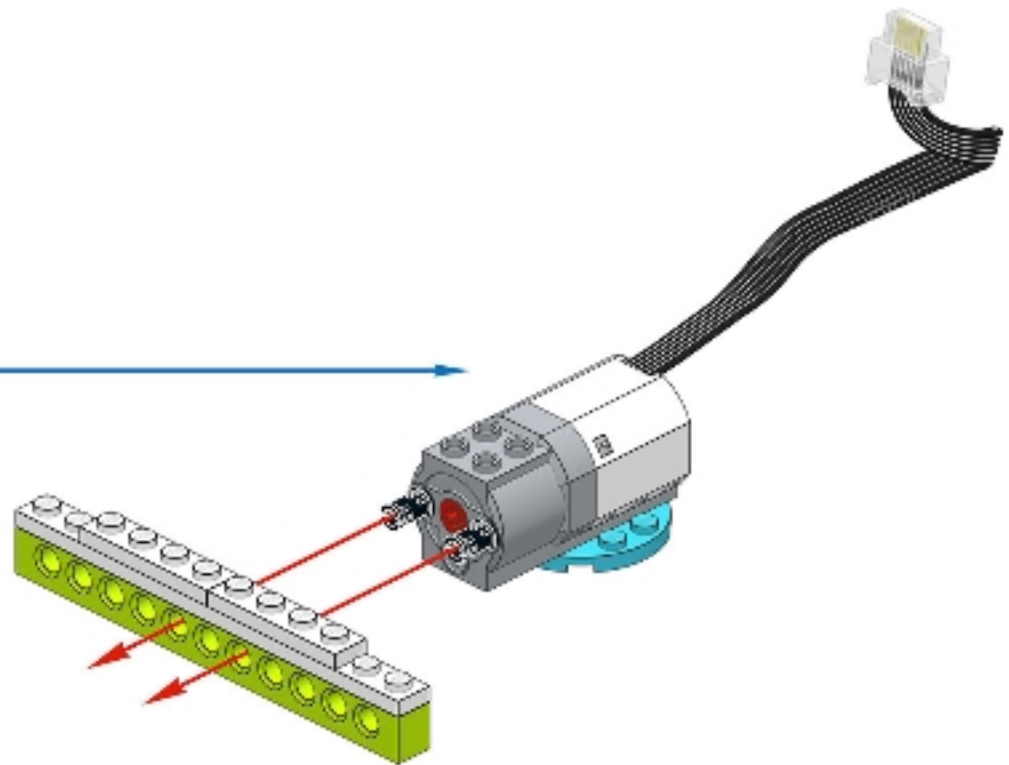
1



2



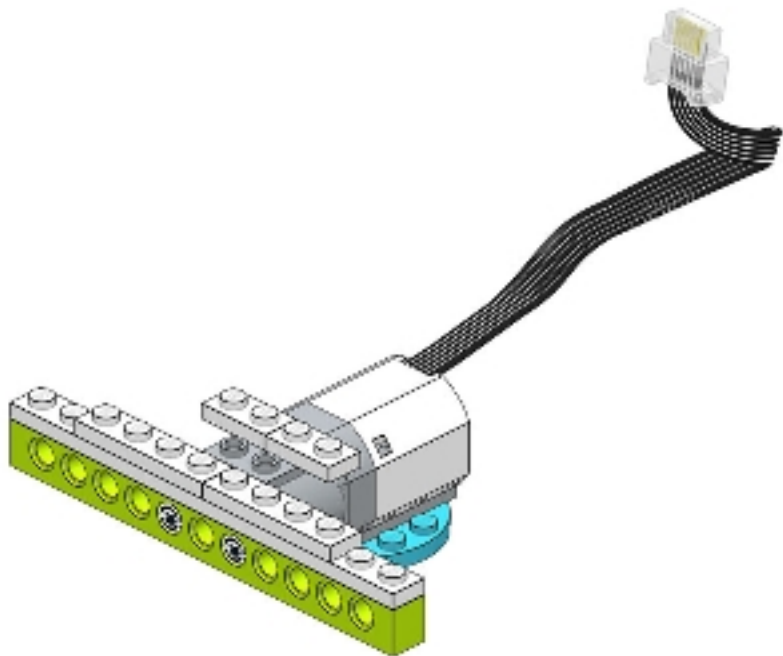
15

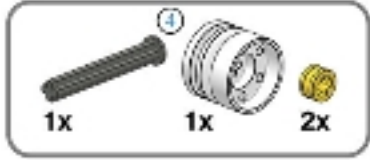




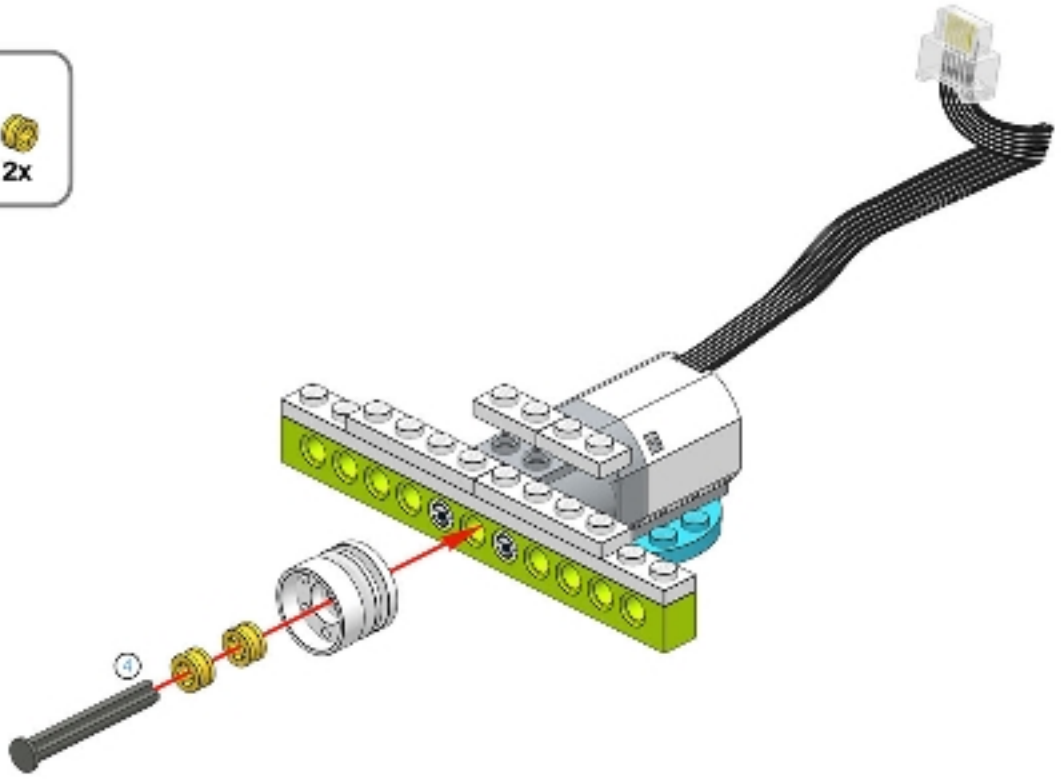
2x

16

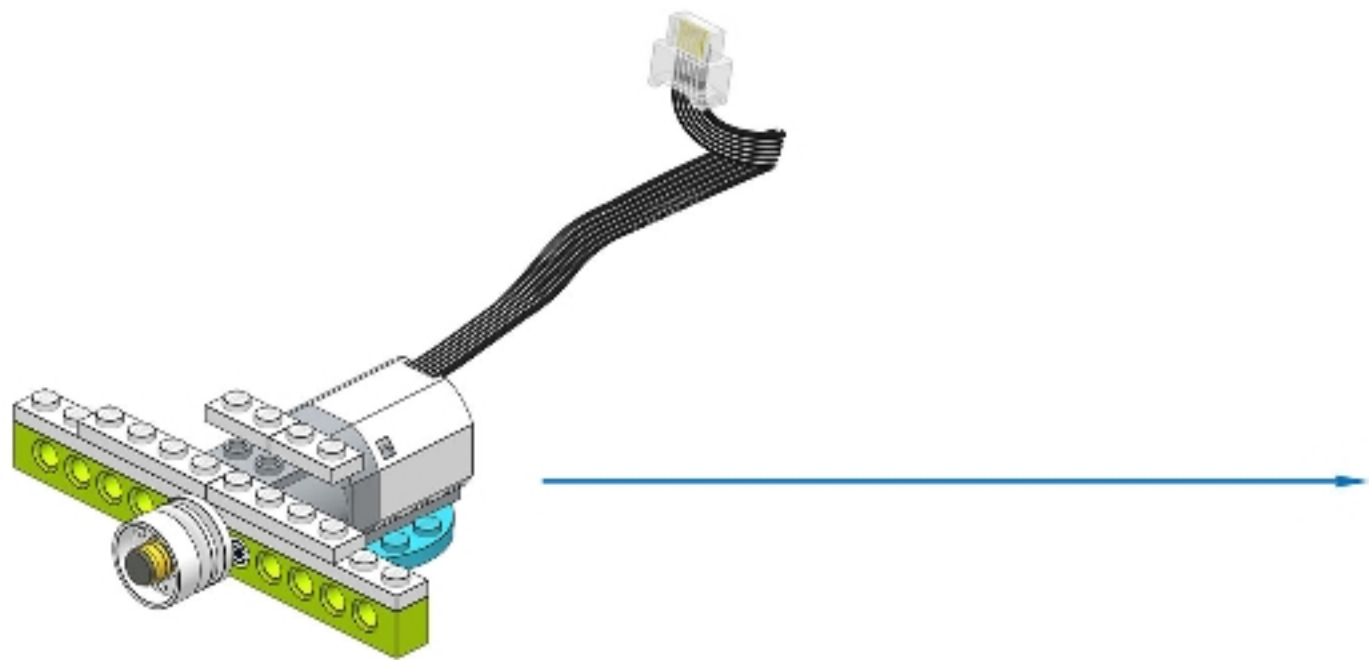




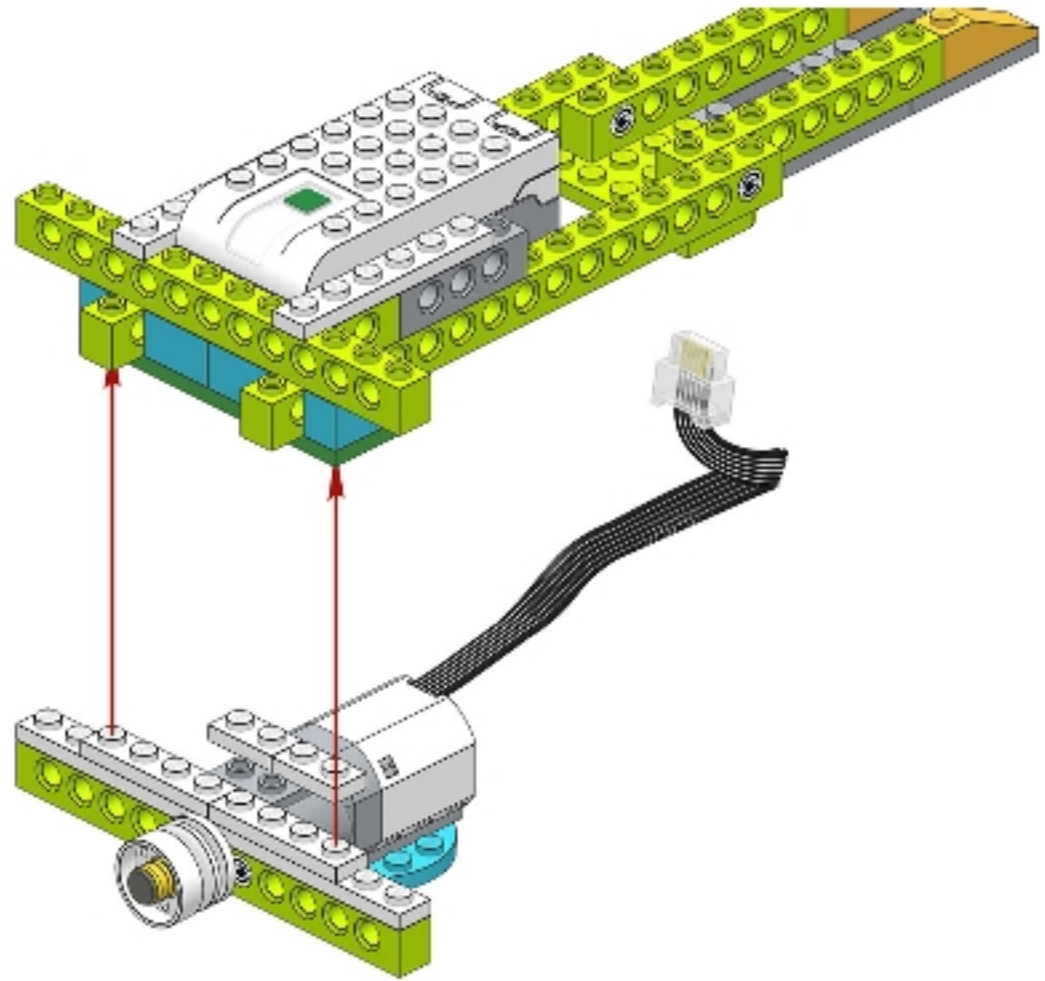
17



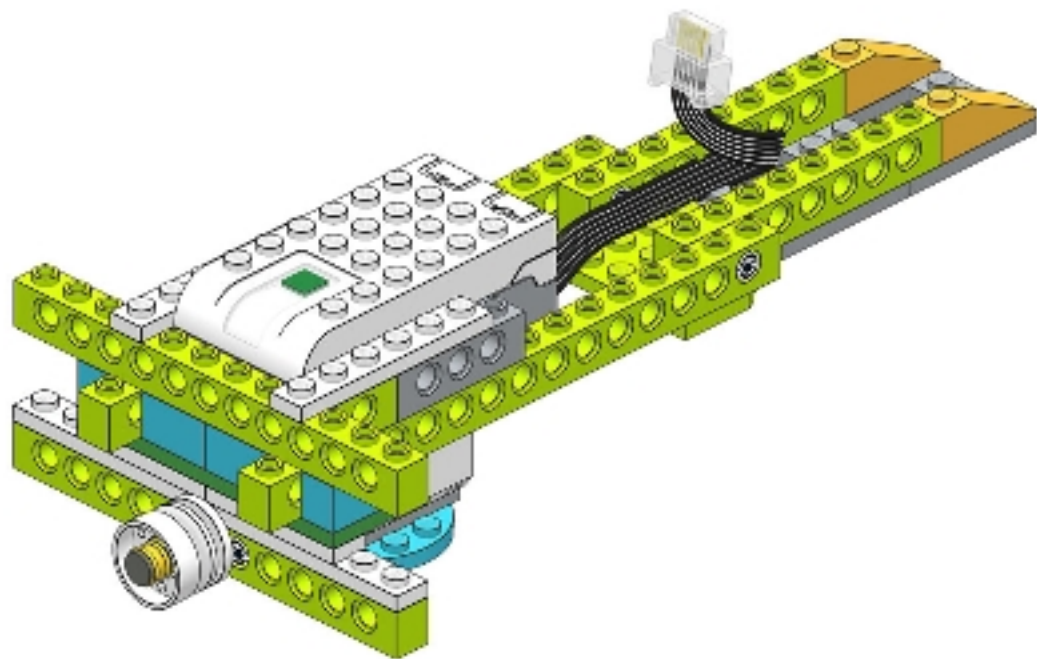
18



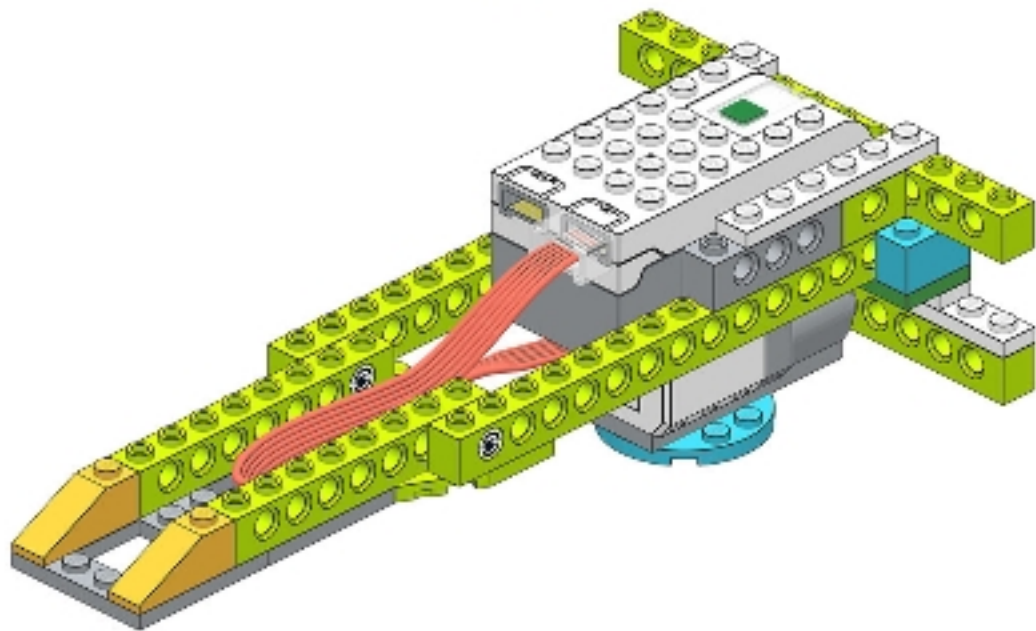
19



20



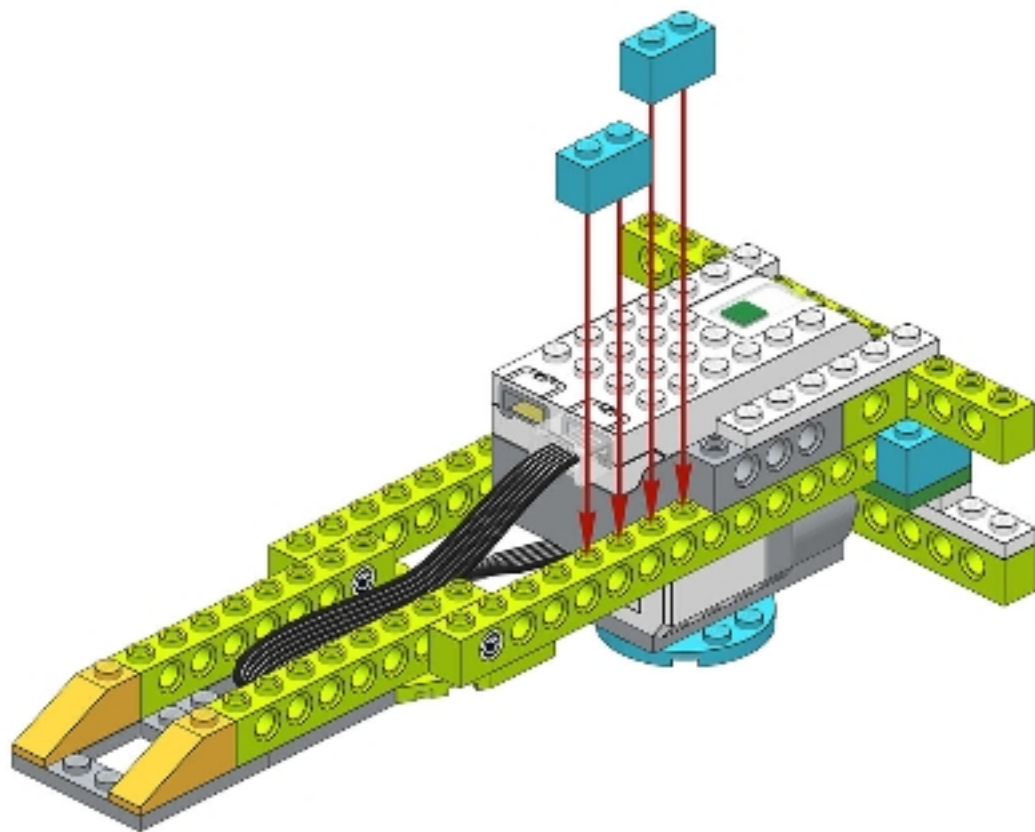
21





2x

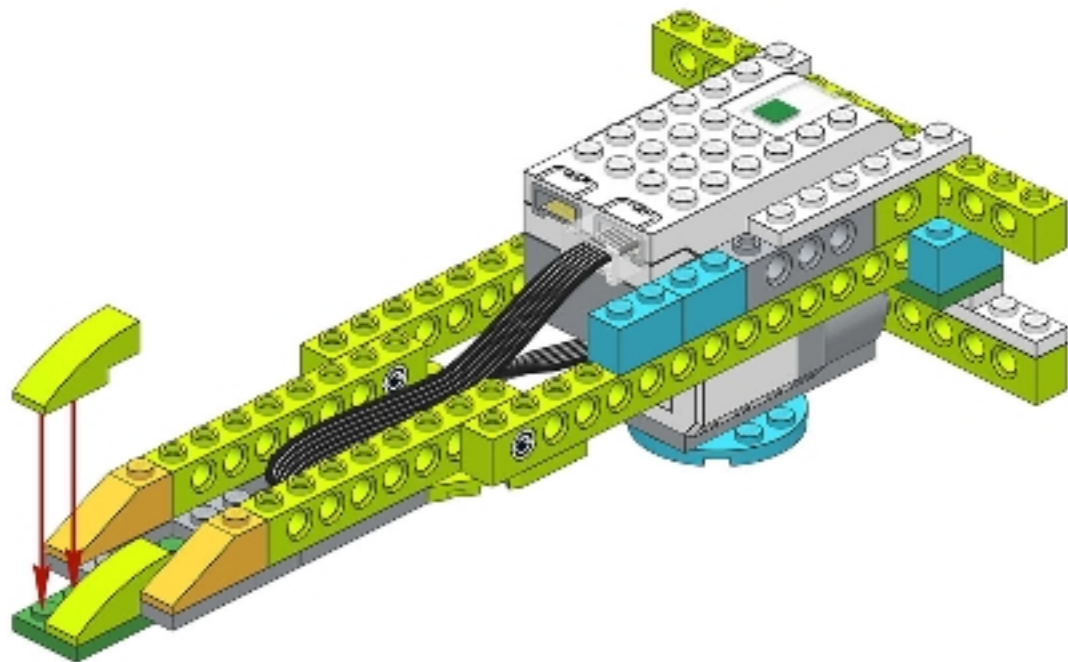
22





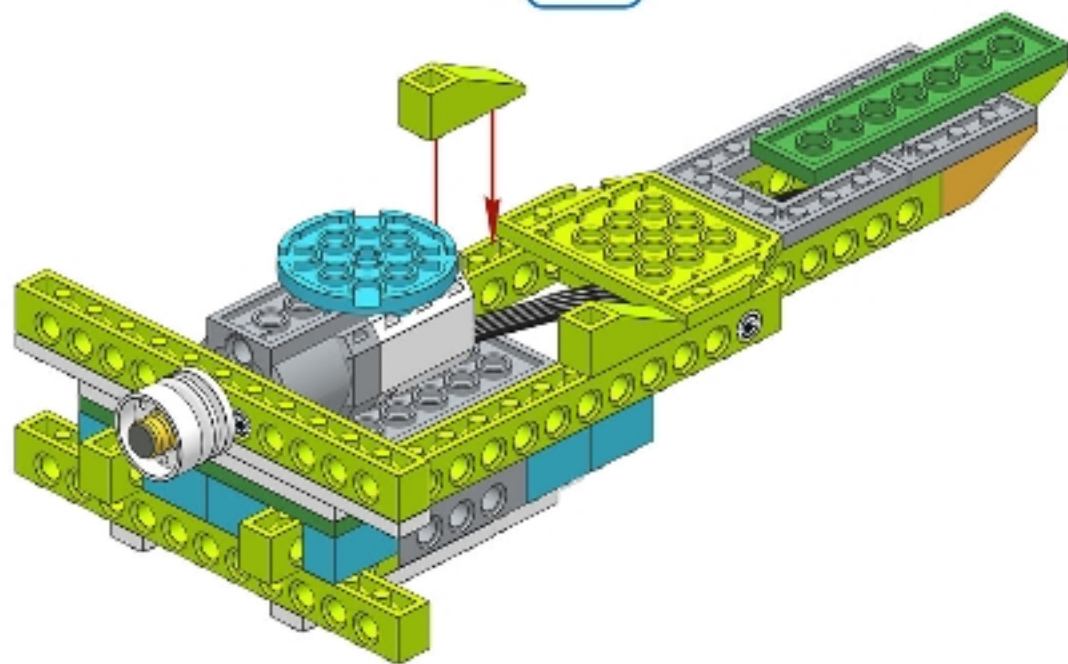
2x

24





2x

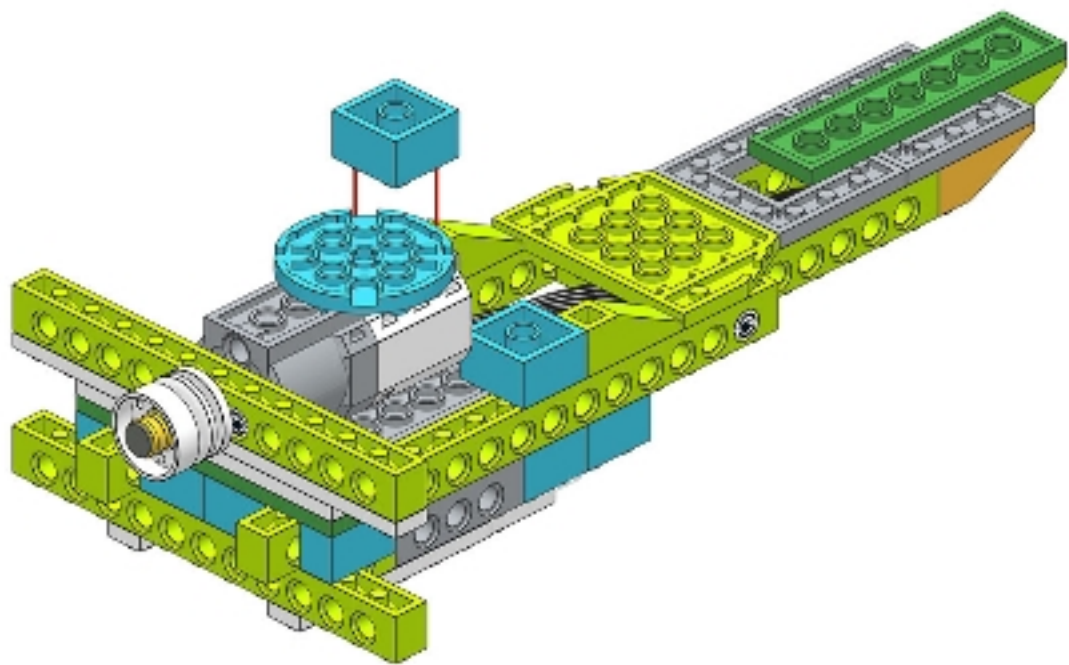


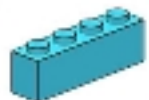
25



2x

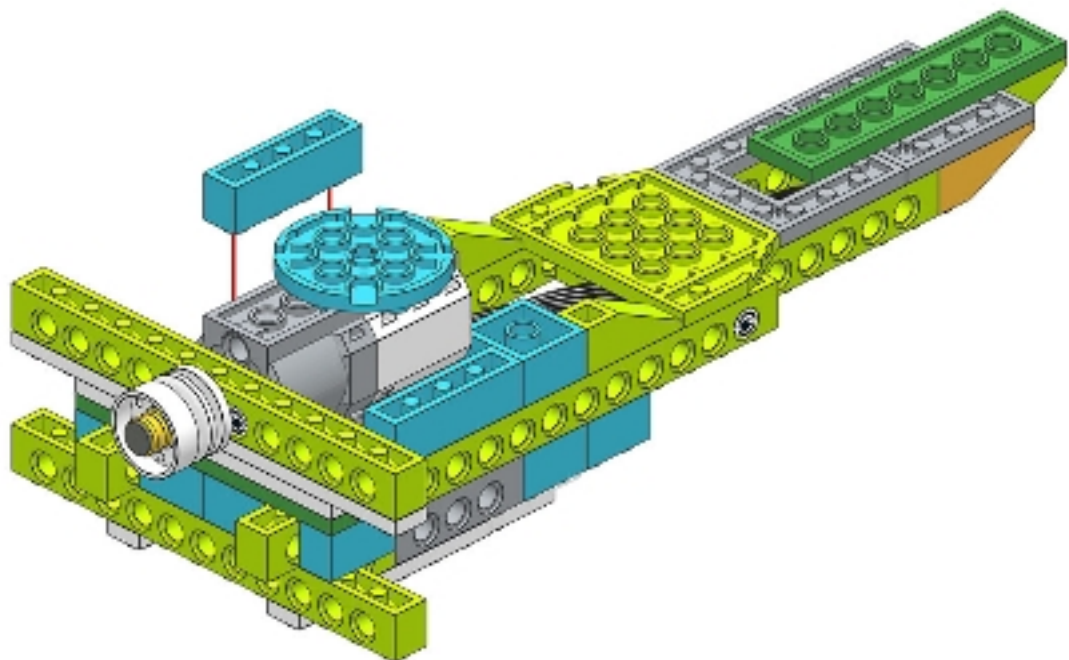
26





2x

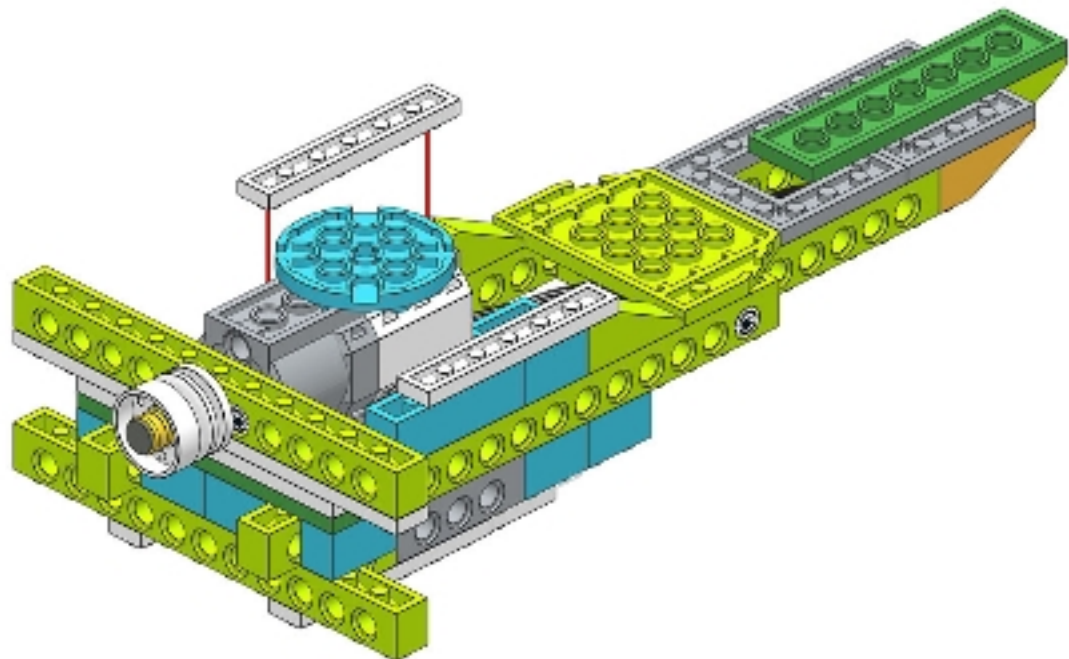
27

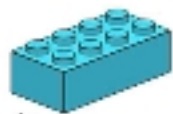




2x

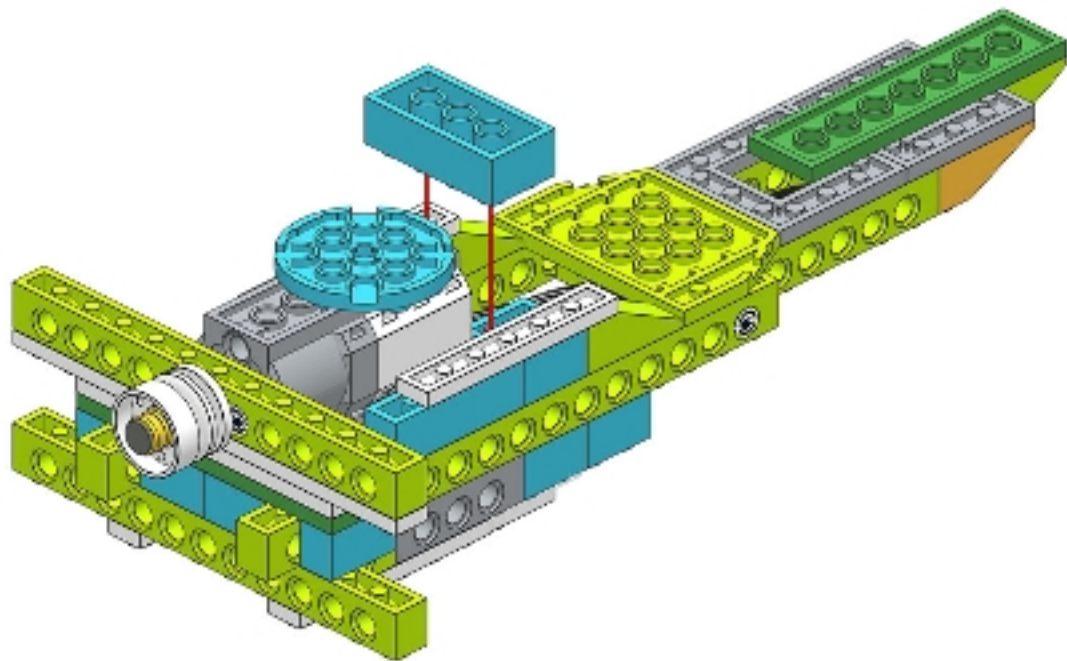
28





1x

29

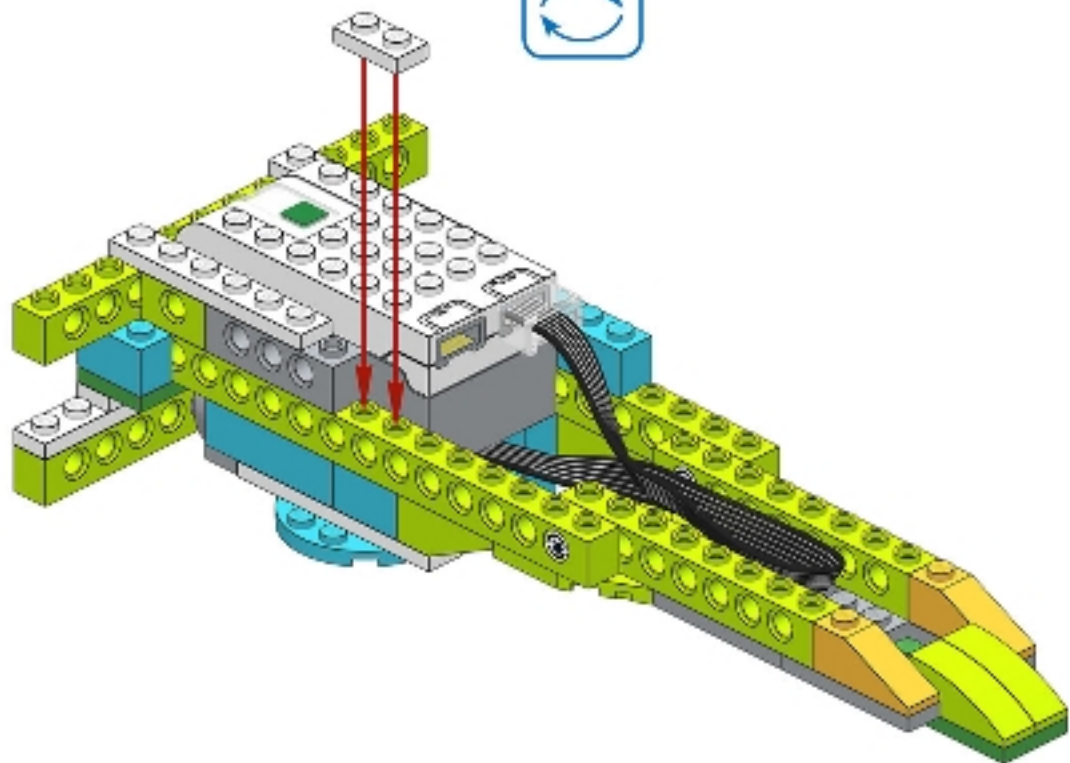




1x

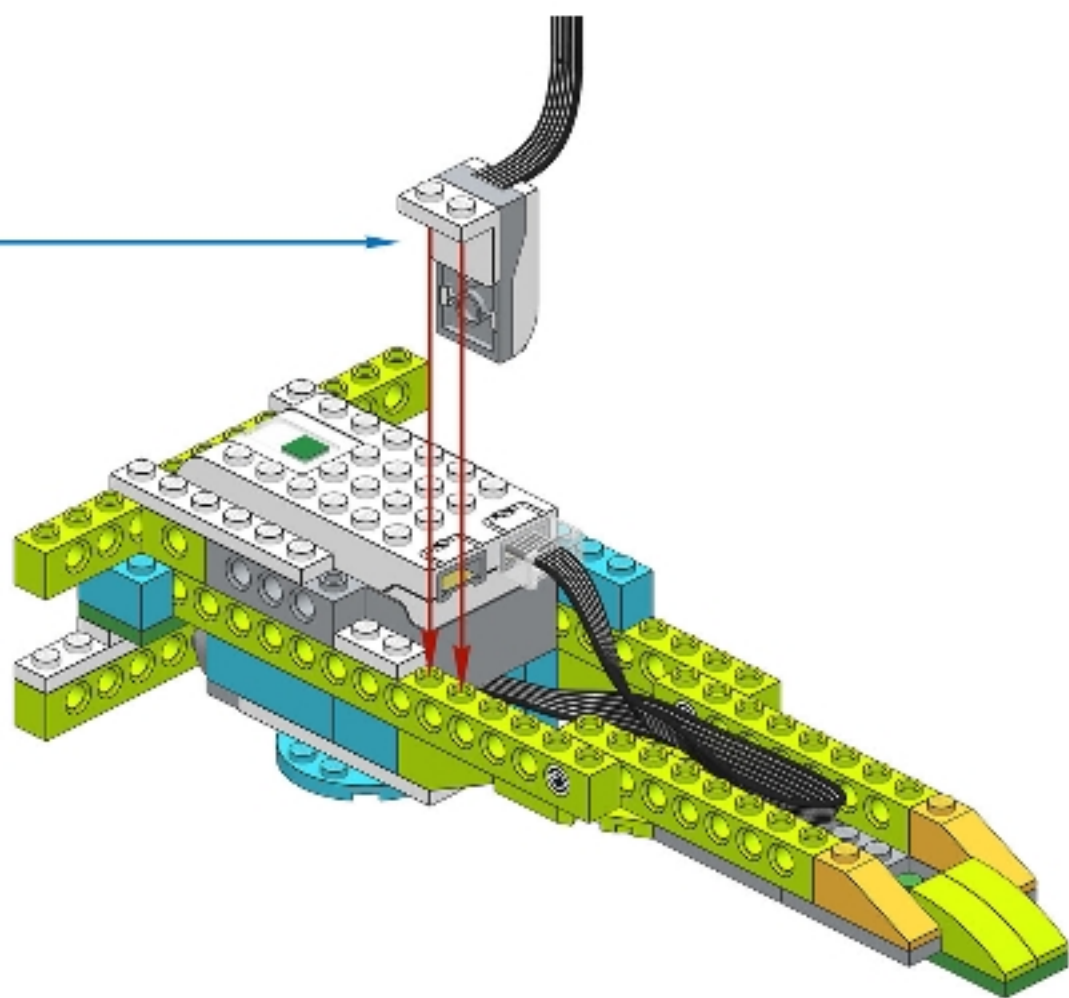
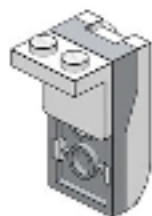


31





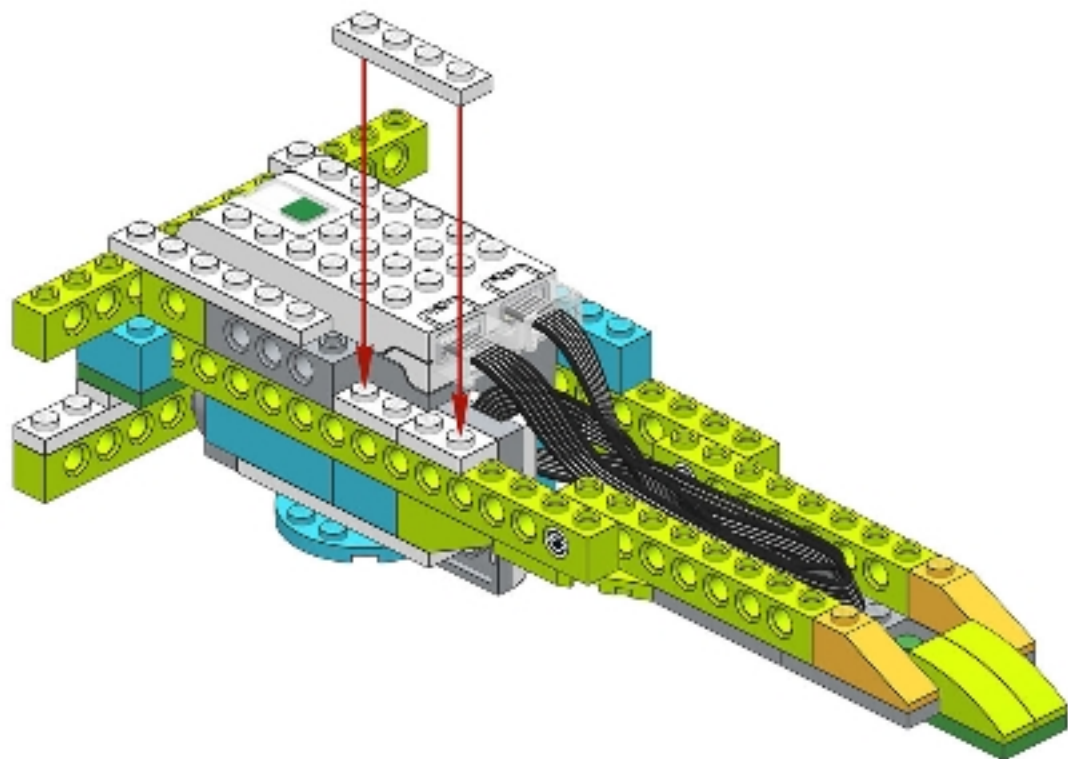
1x





1x

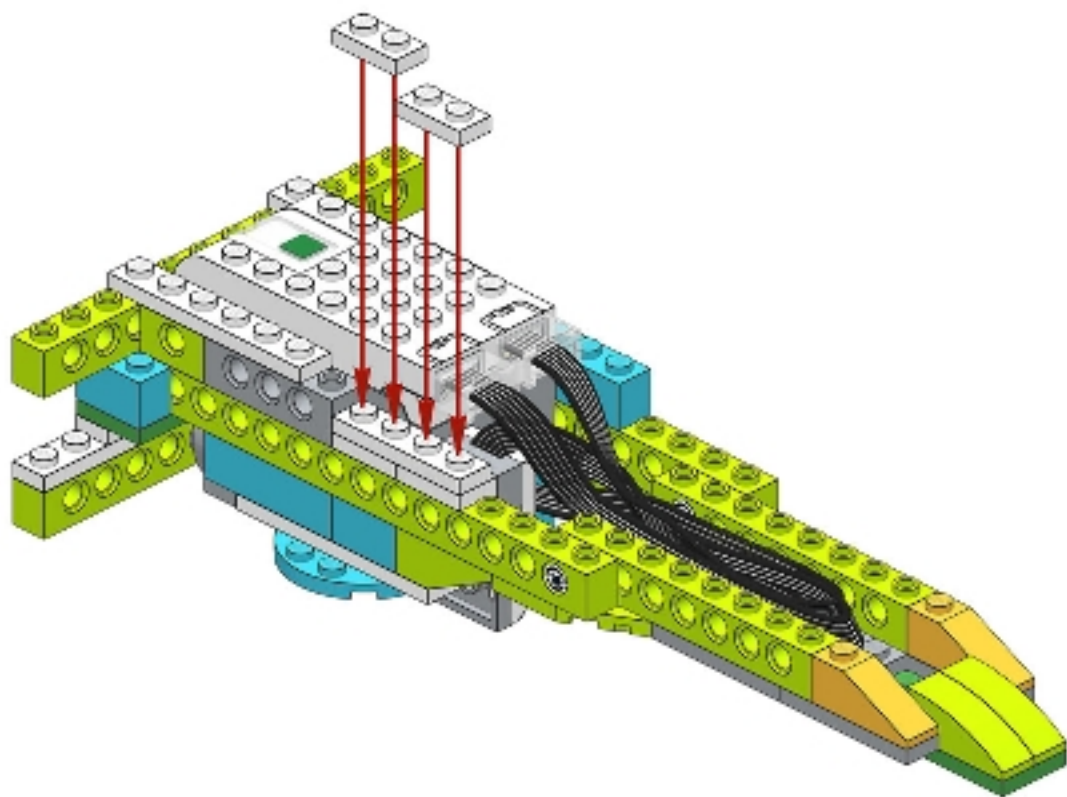
34





2x

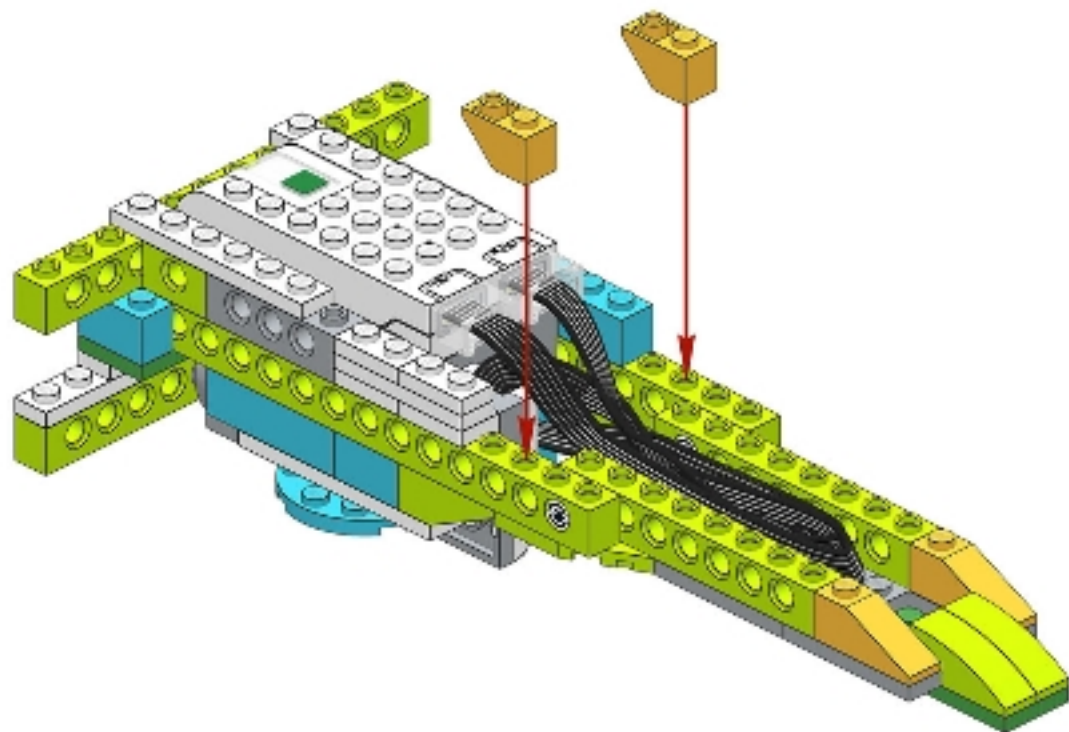
35





2x

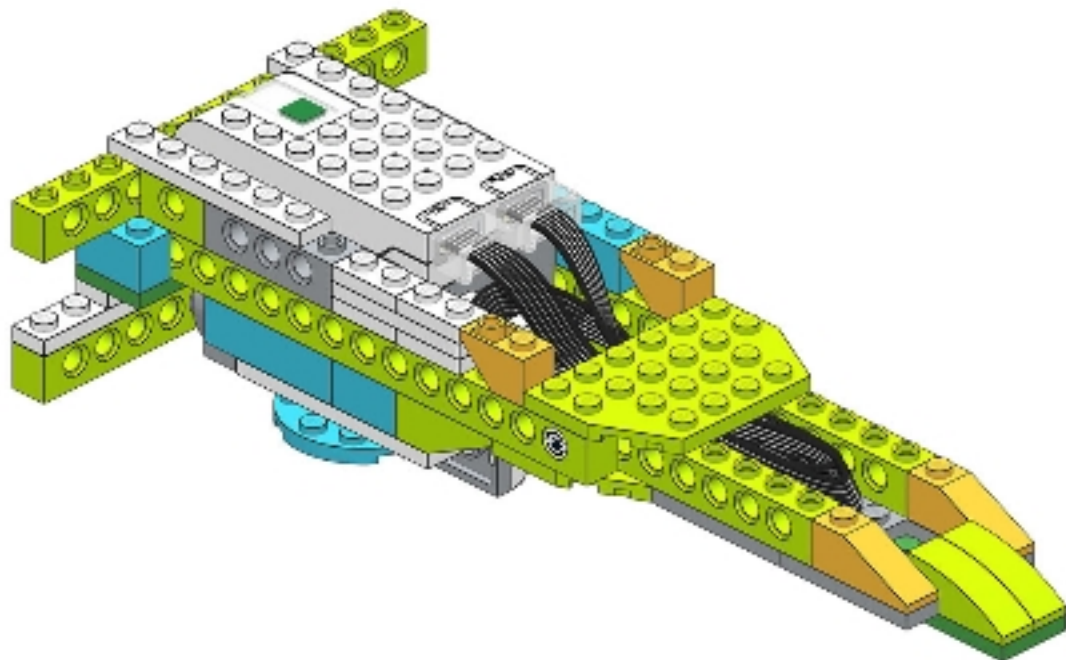
36

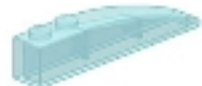




2x

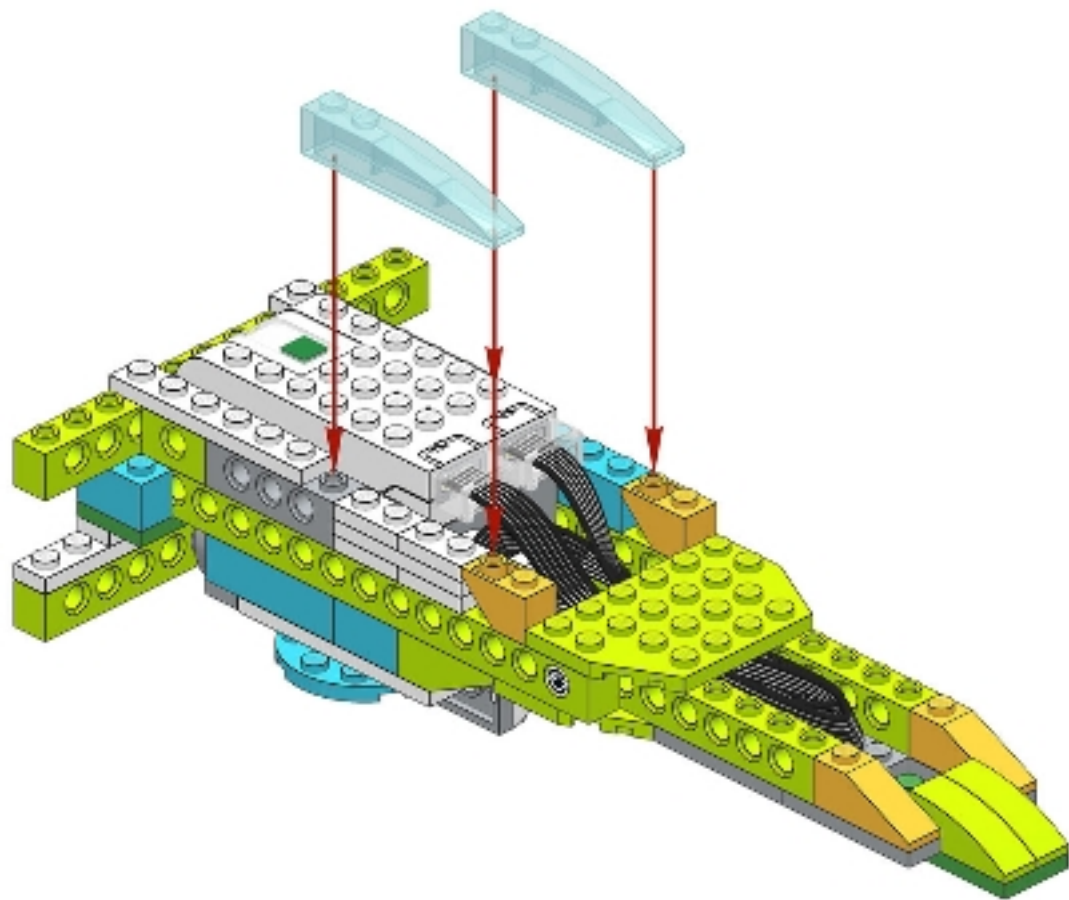
37



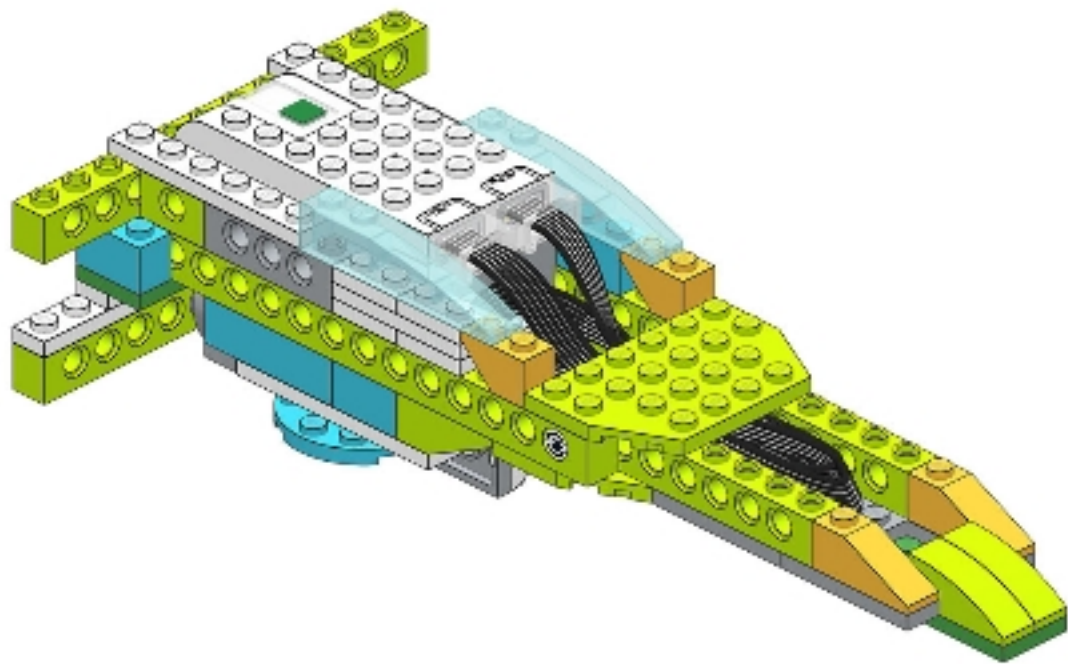


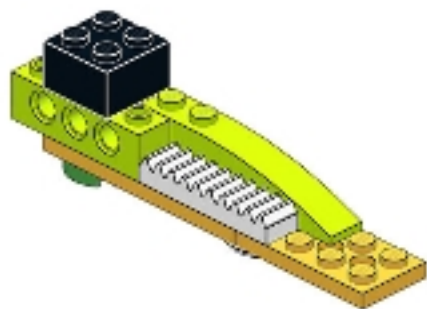
2x

38



39





1x

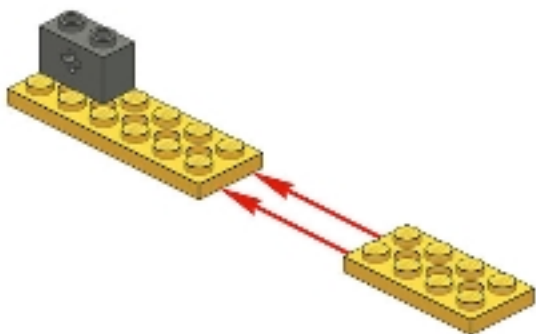


1x



1x

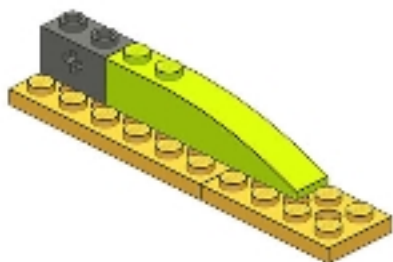
40





1x

41



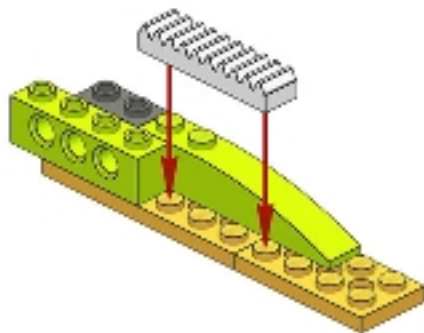


1x



1x

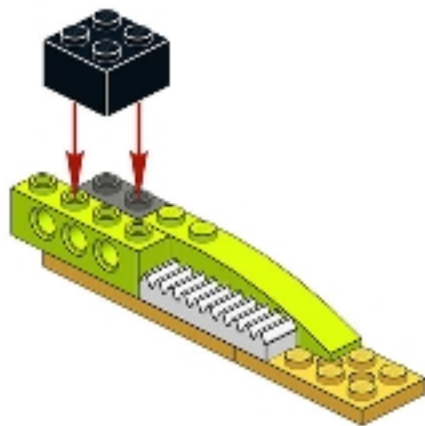
42





1x

43

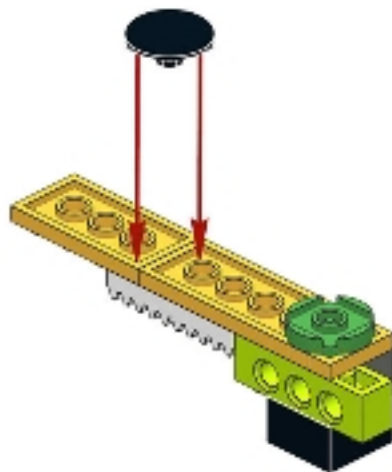




1x



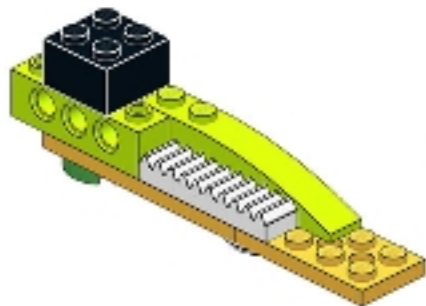
1x



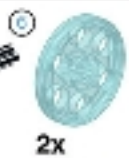
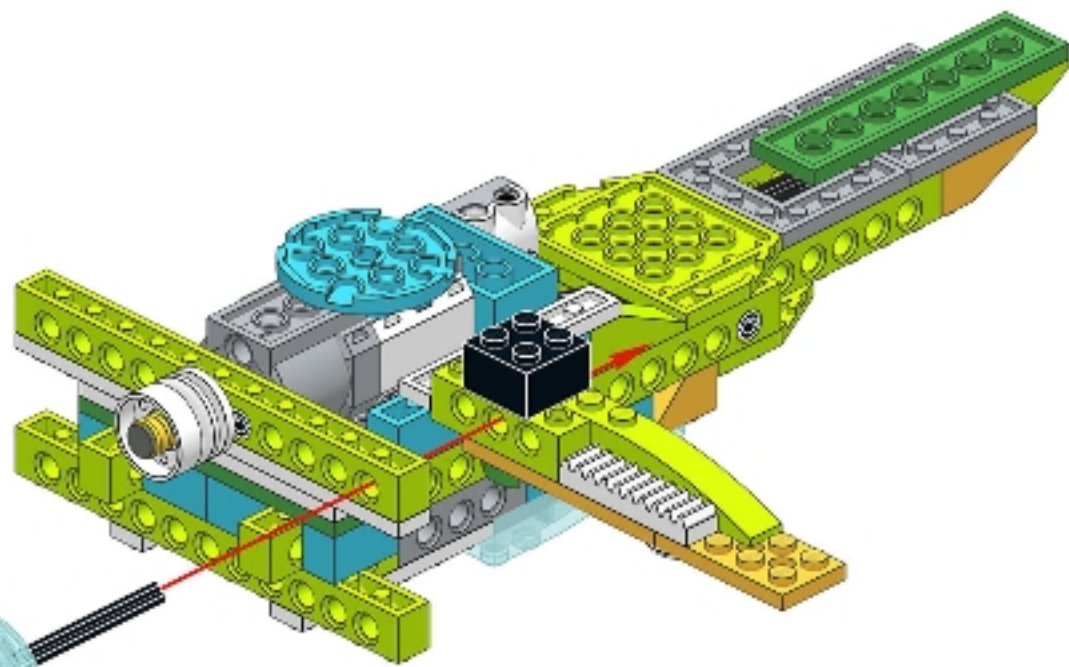
44



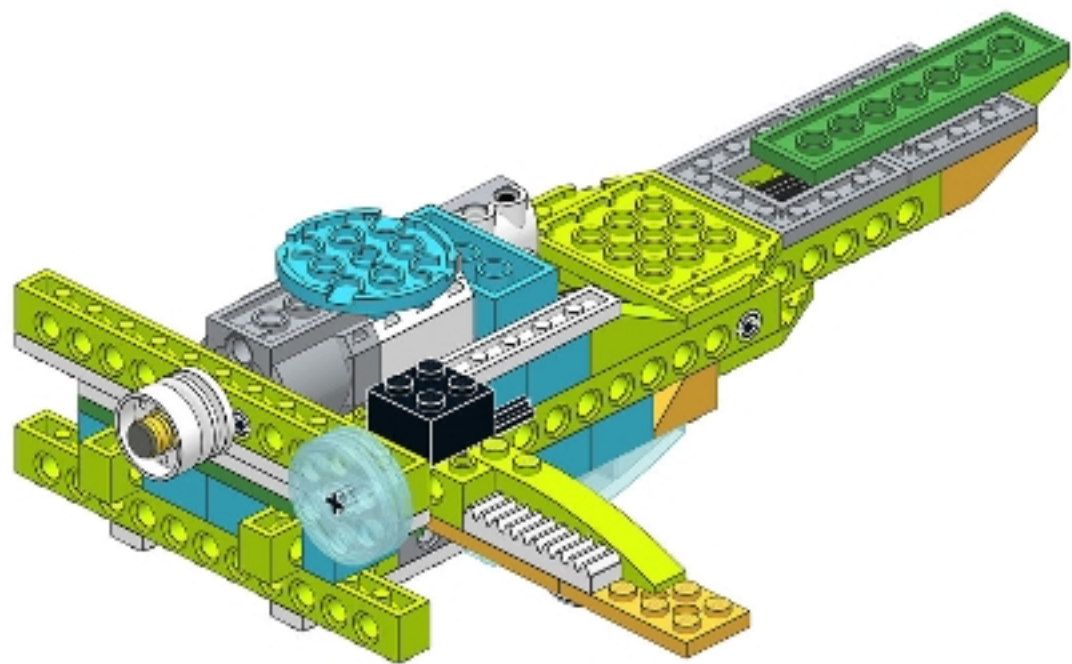
45

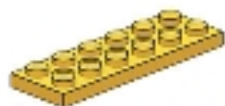
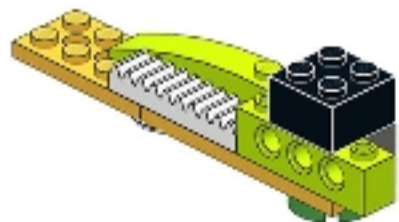


46



47





1x

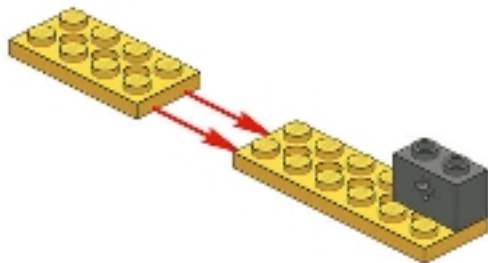


1x



1x

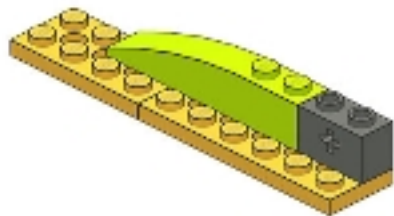
48

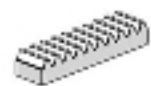




1x

49



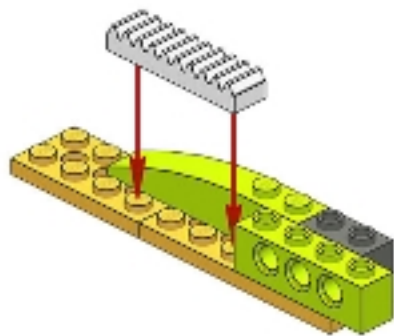


1x



1x

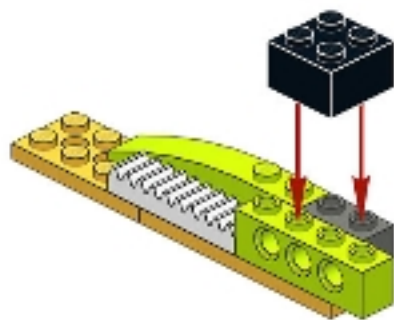
50





1x

51





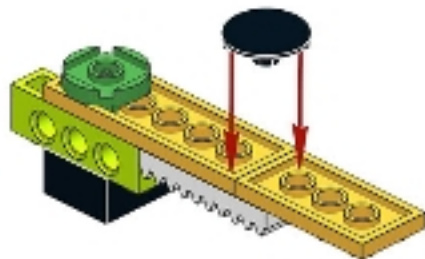
1x



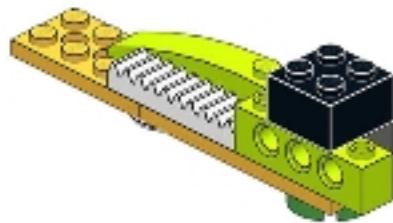
1x



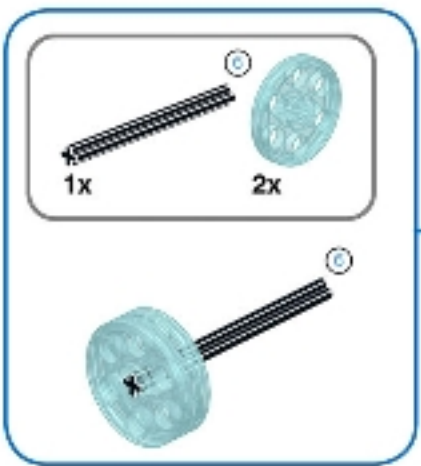
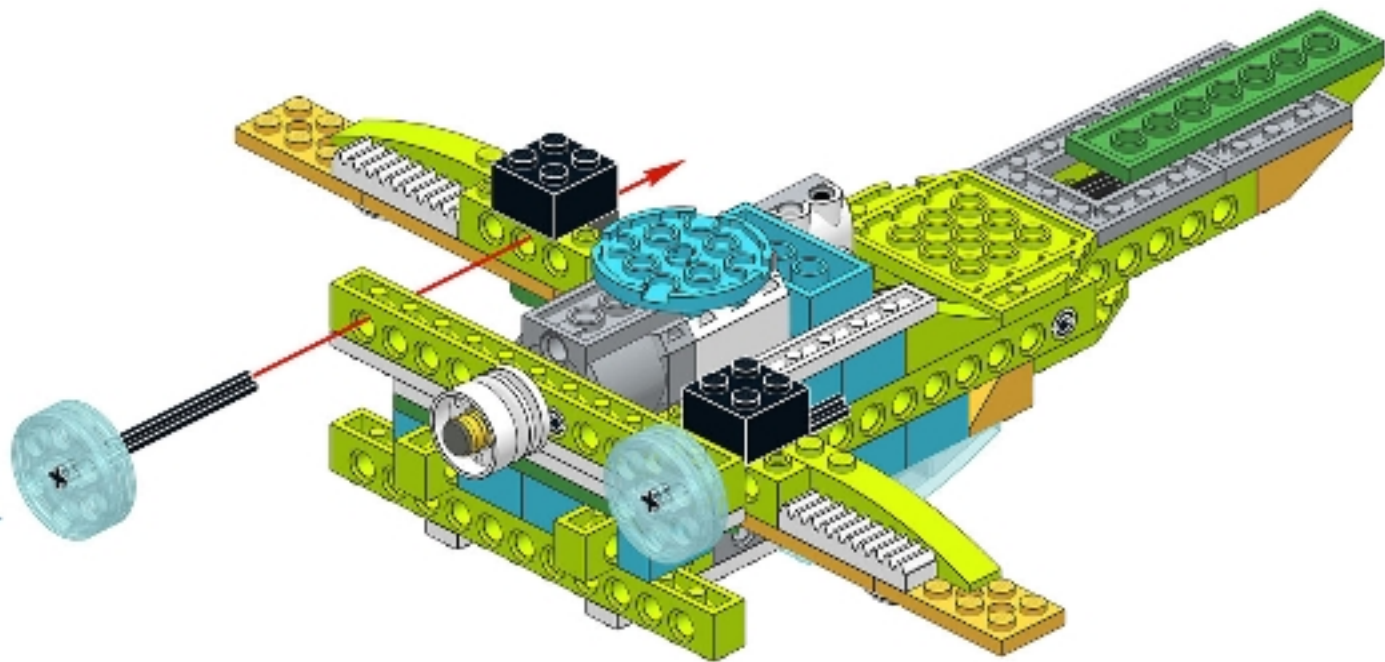
52



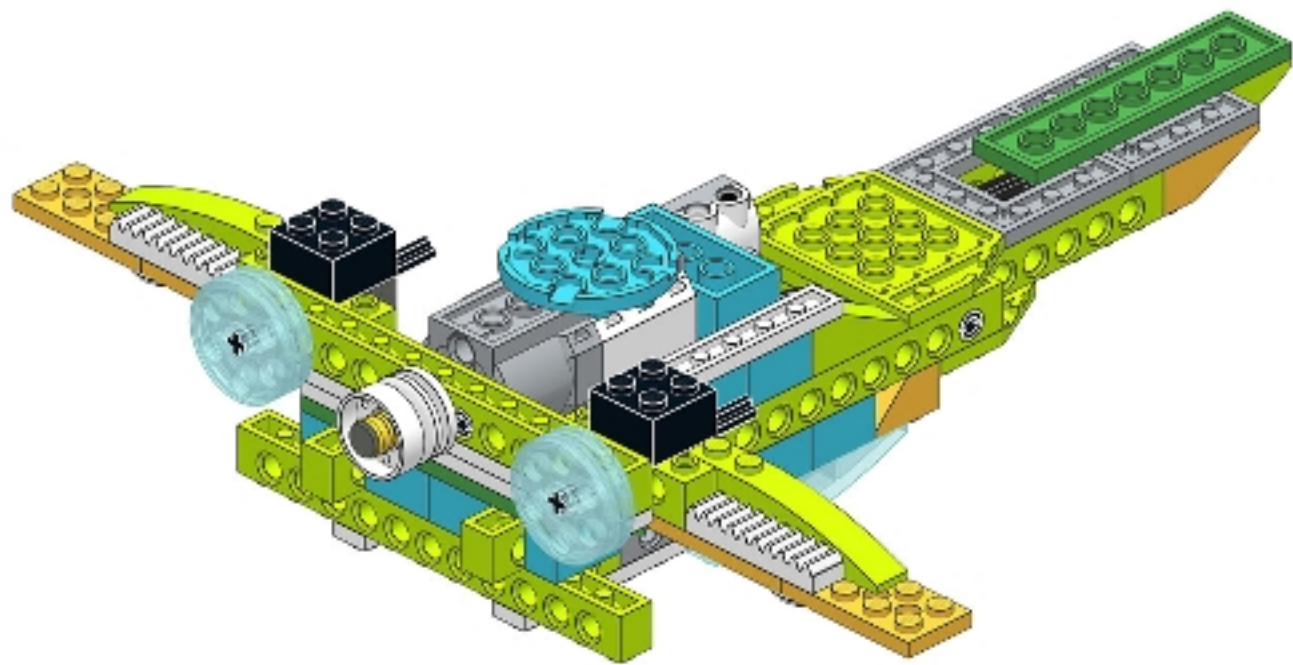
53



54



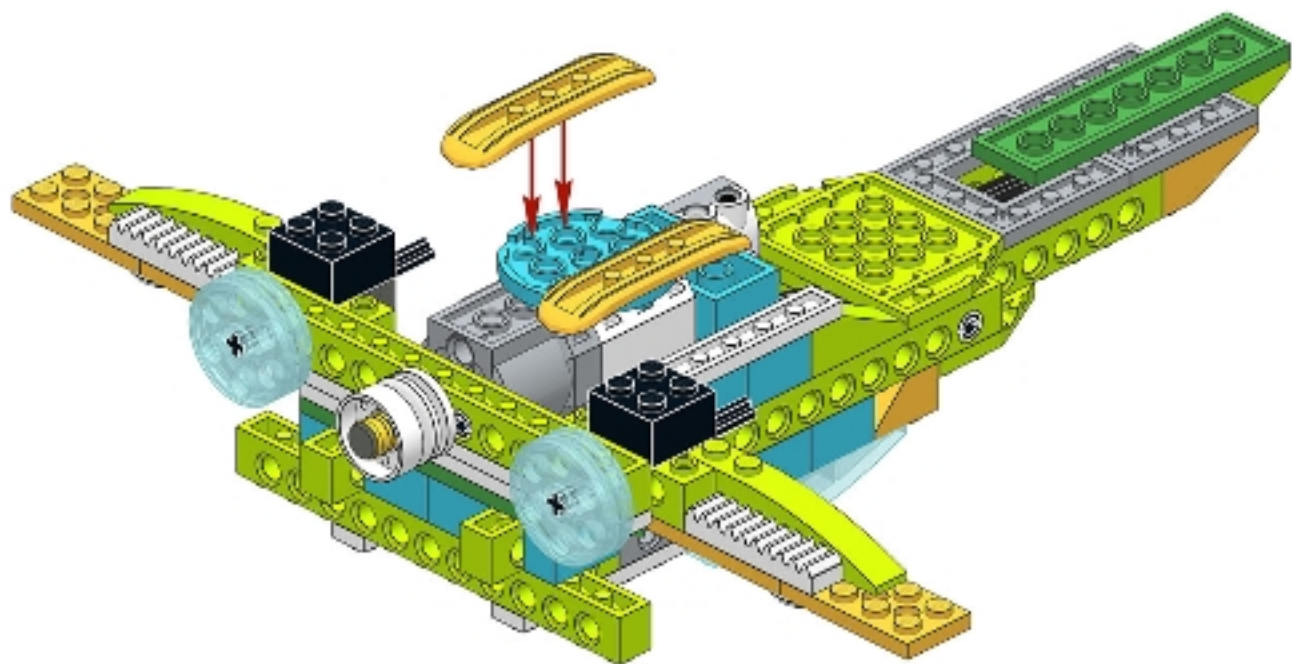
55



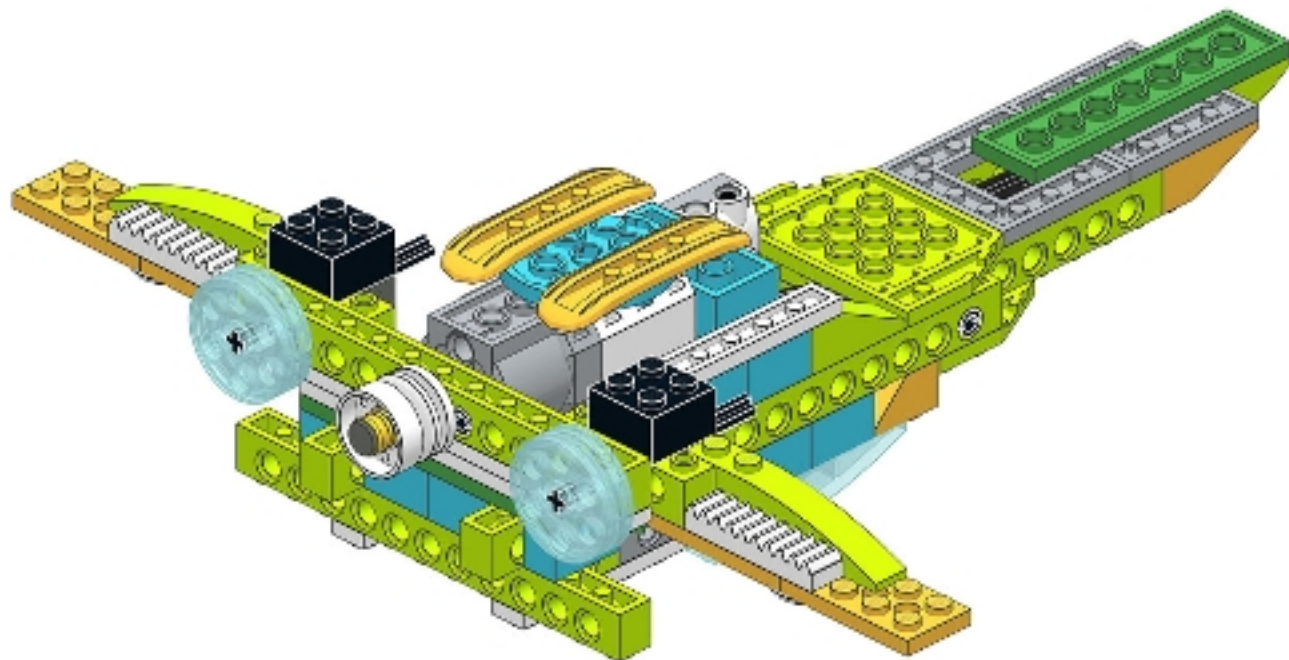


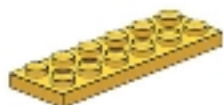
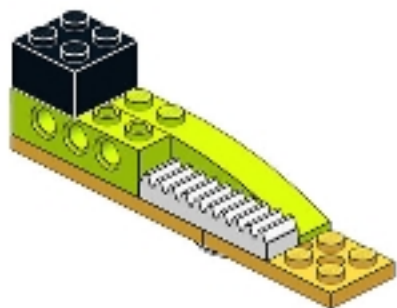
2x

56



57





1x

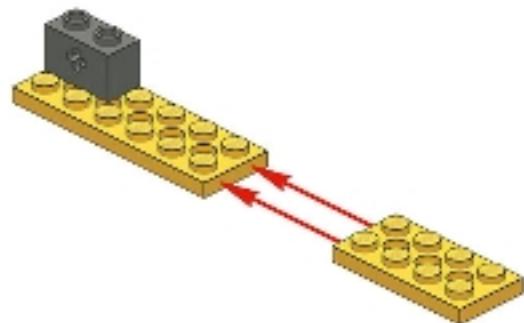


1x



1x

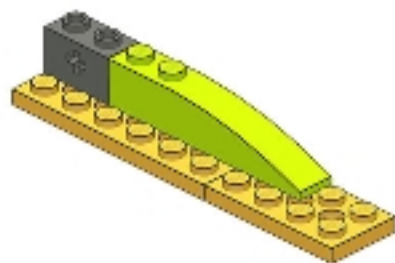
58

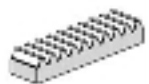




1x

59



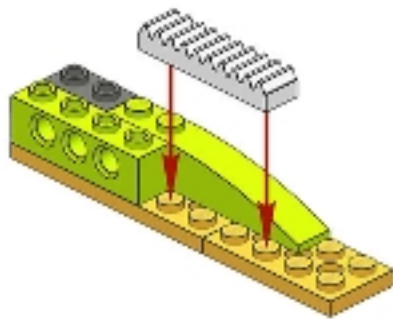


1x



1x

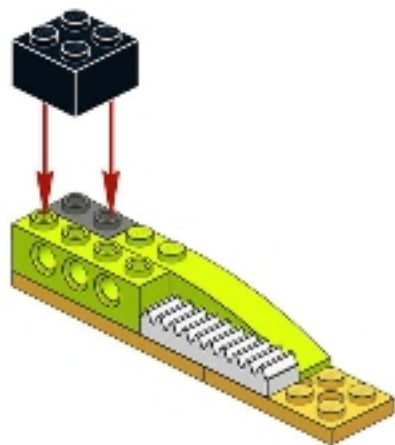
60





1x

61

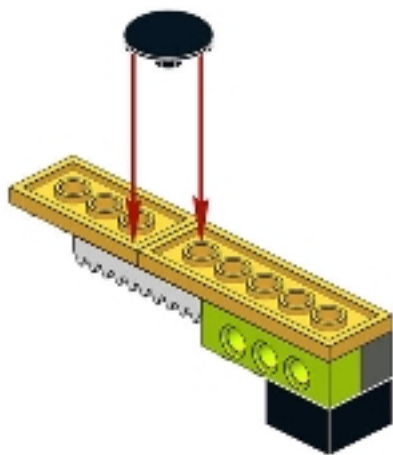




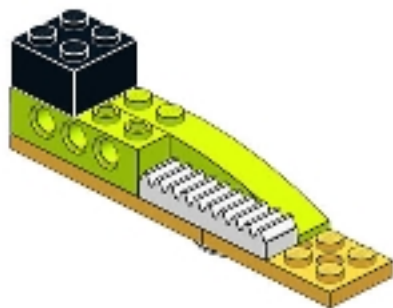
1x



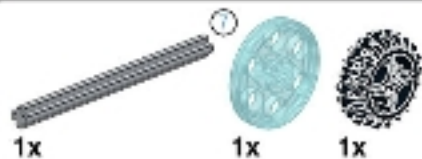
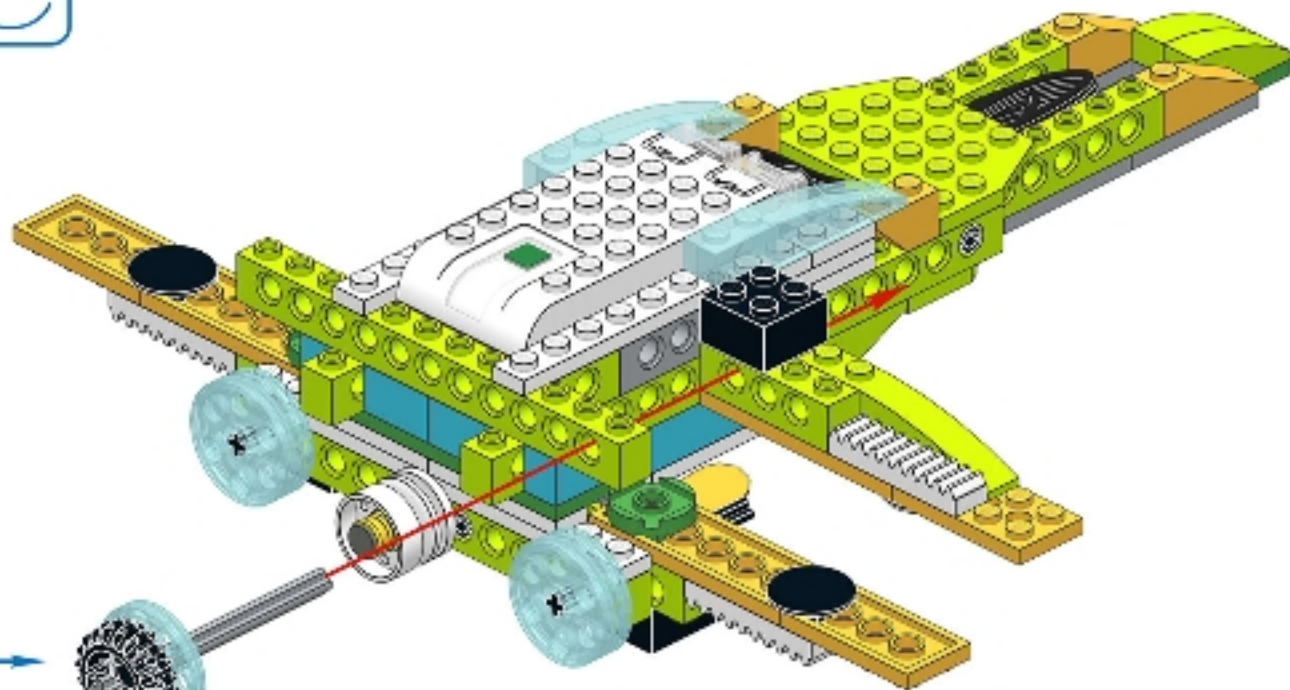
62



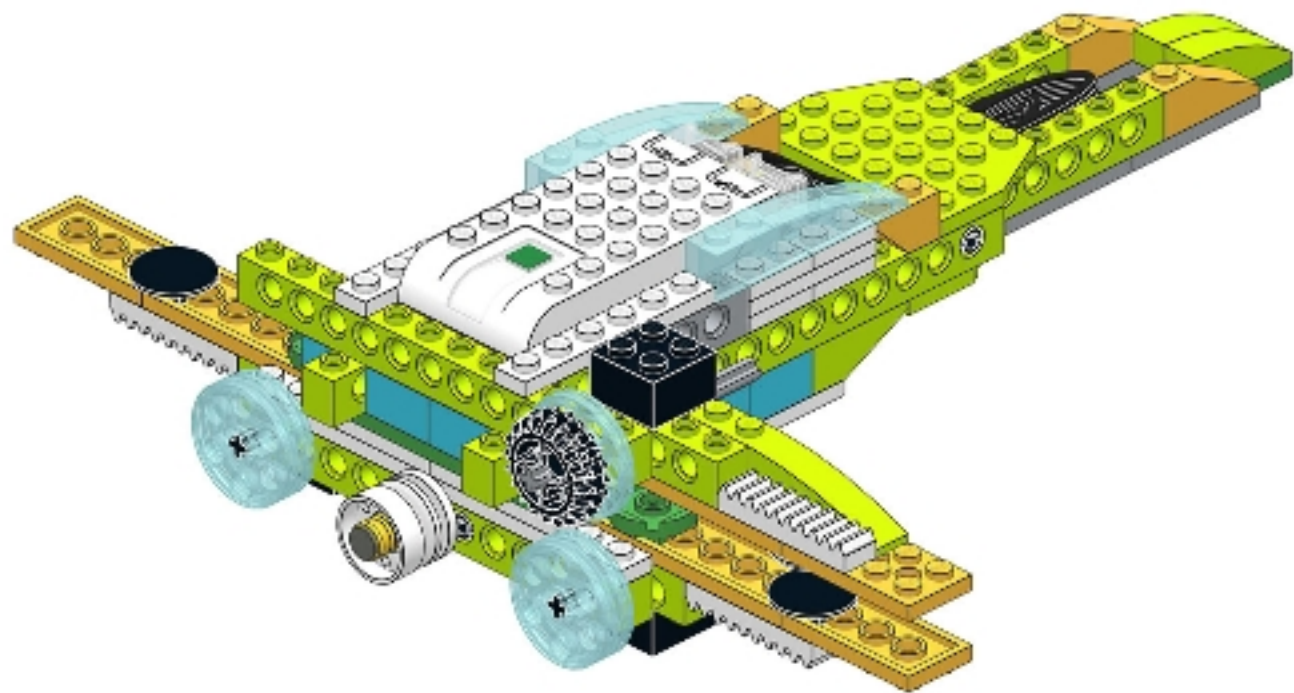
63

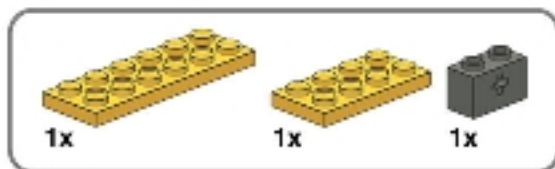
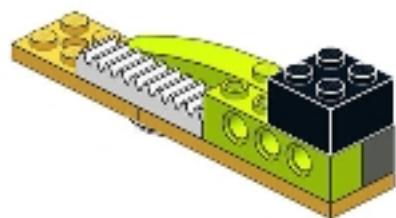


64

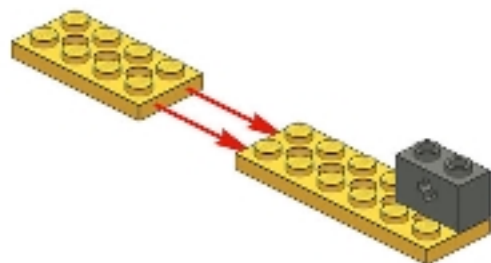


65





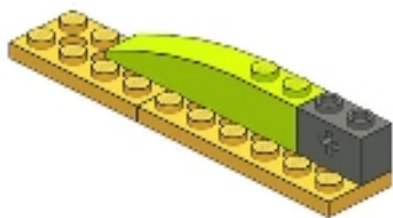
66





1x

67



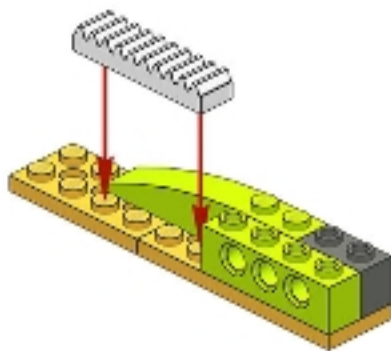


1x



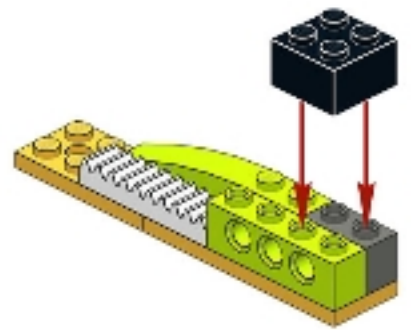
1x

68





69

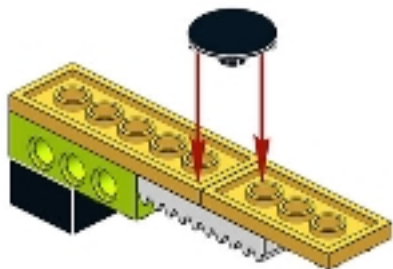




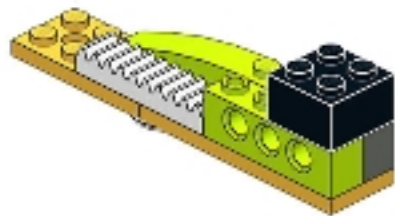
1x



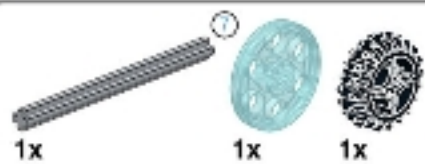
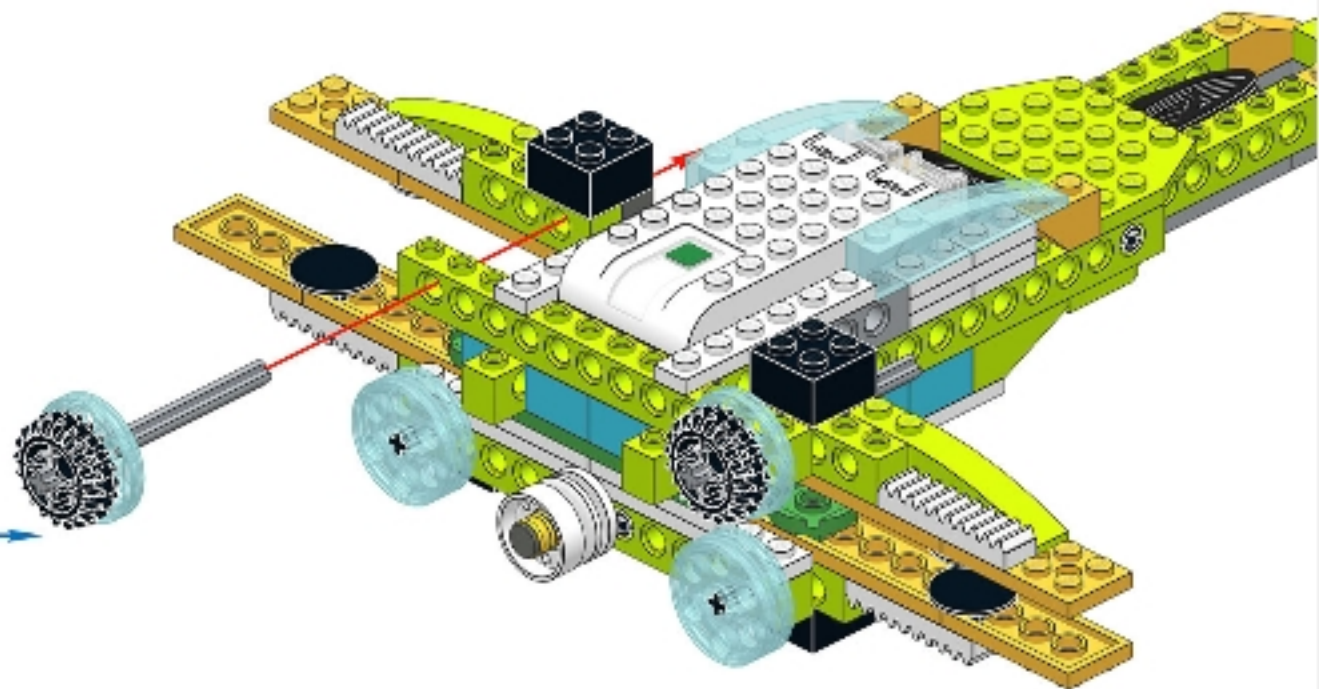
70



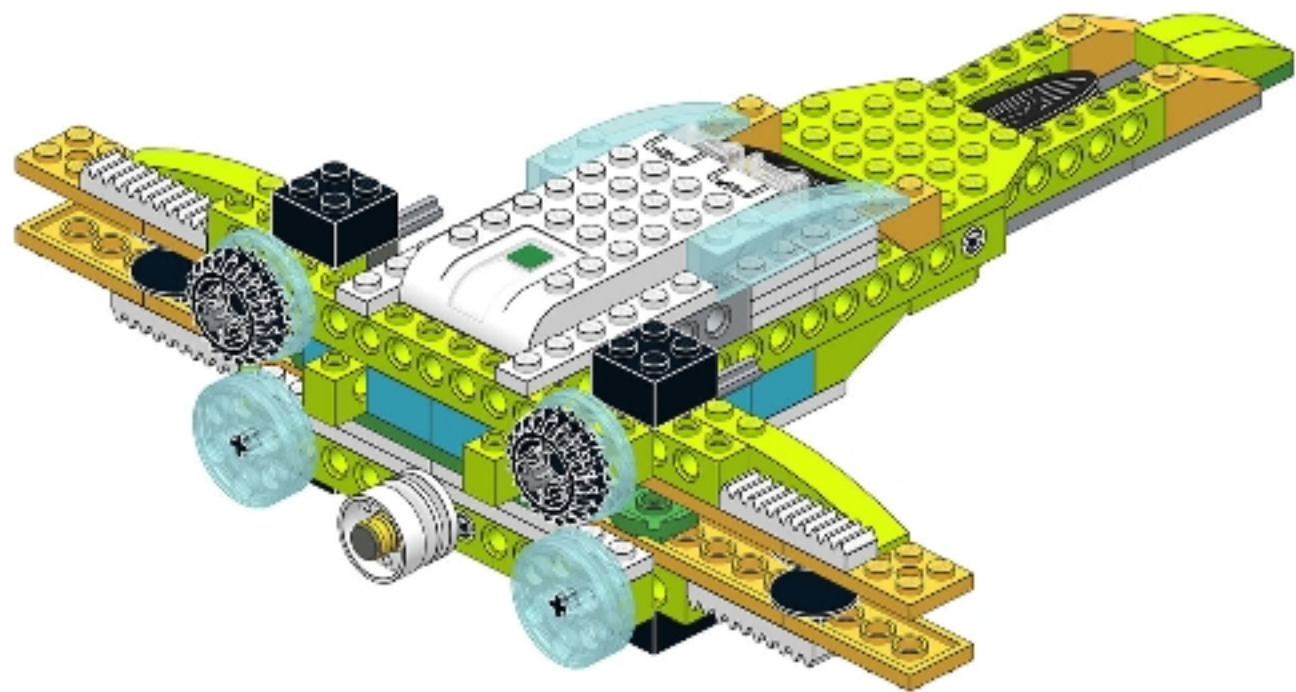
71



72



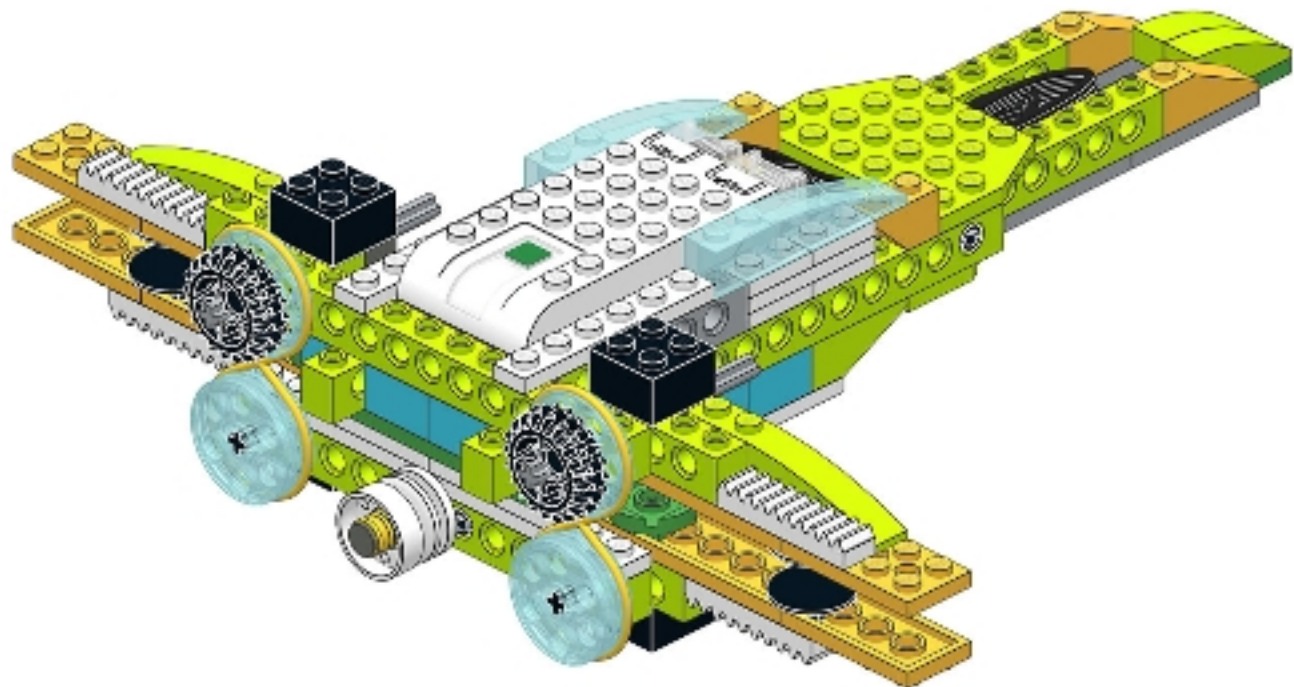
73





2x

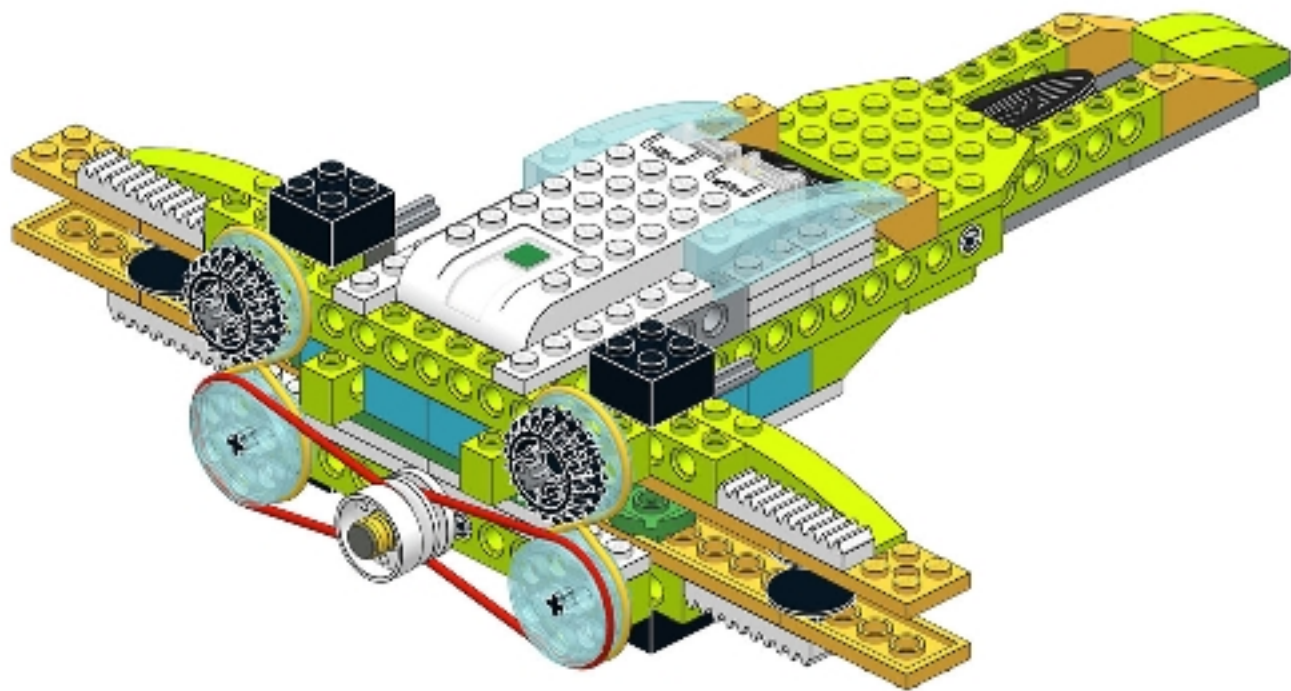
74

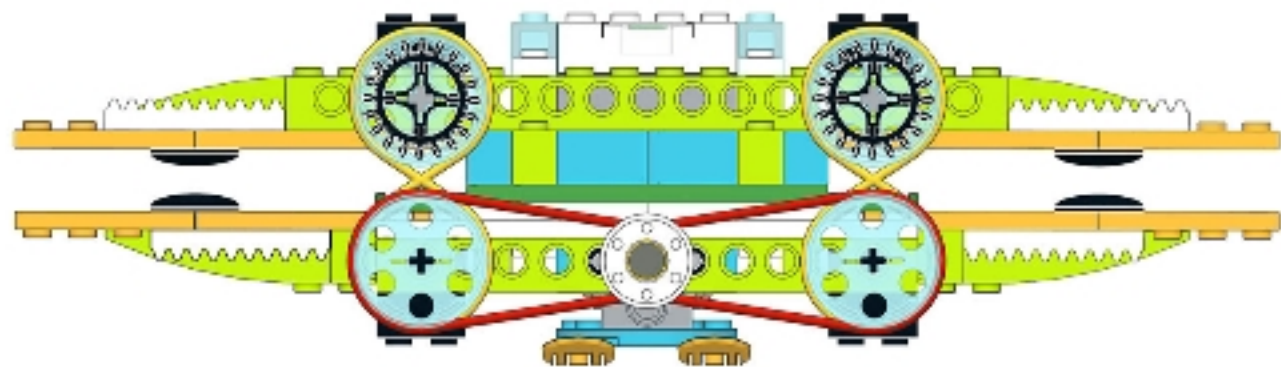


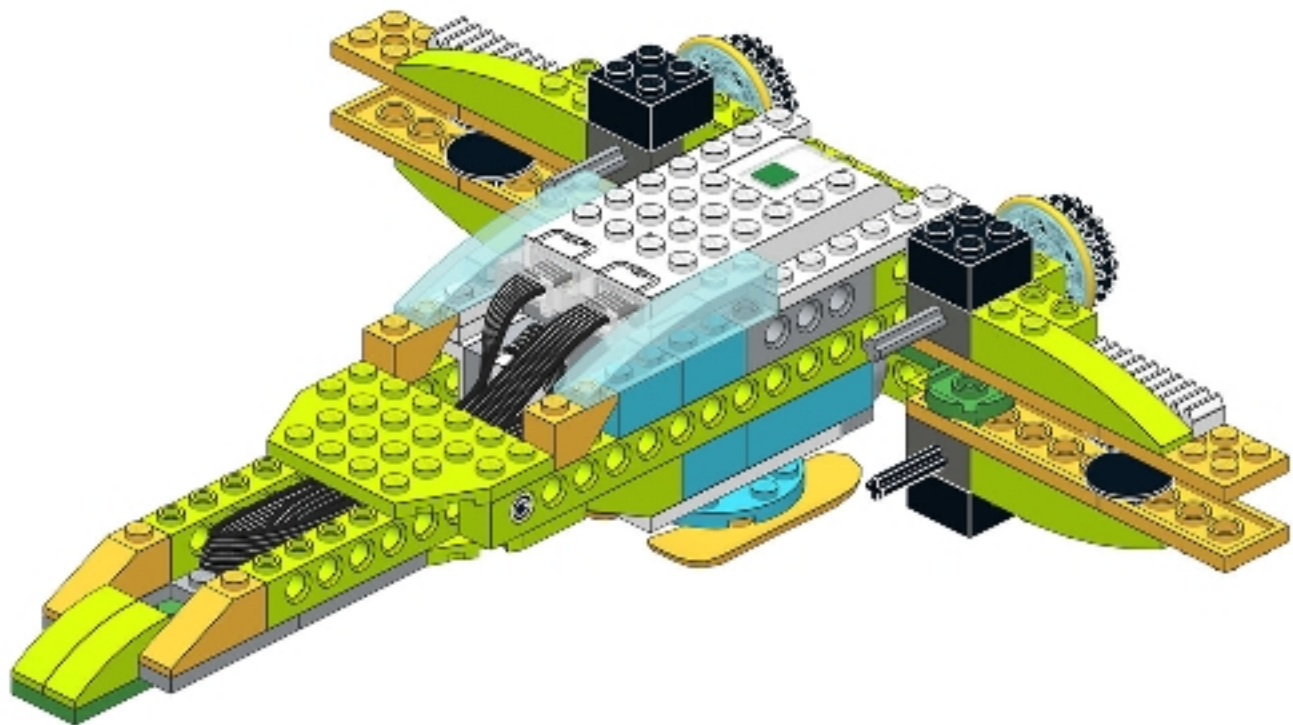


2x

75



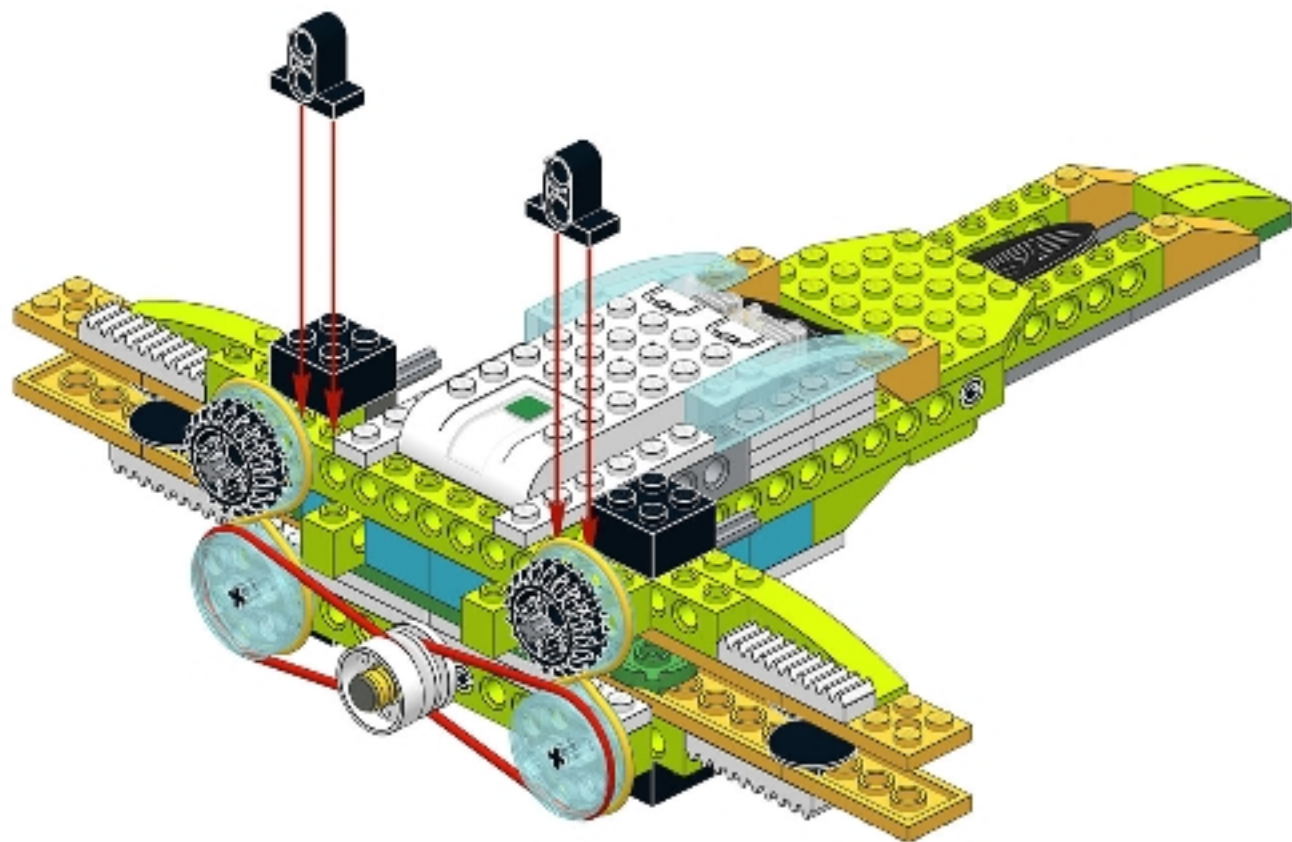






2x

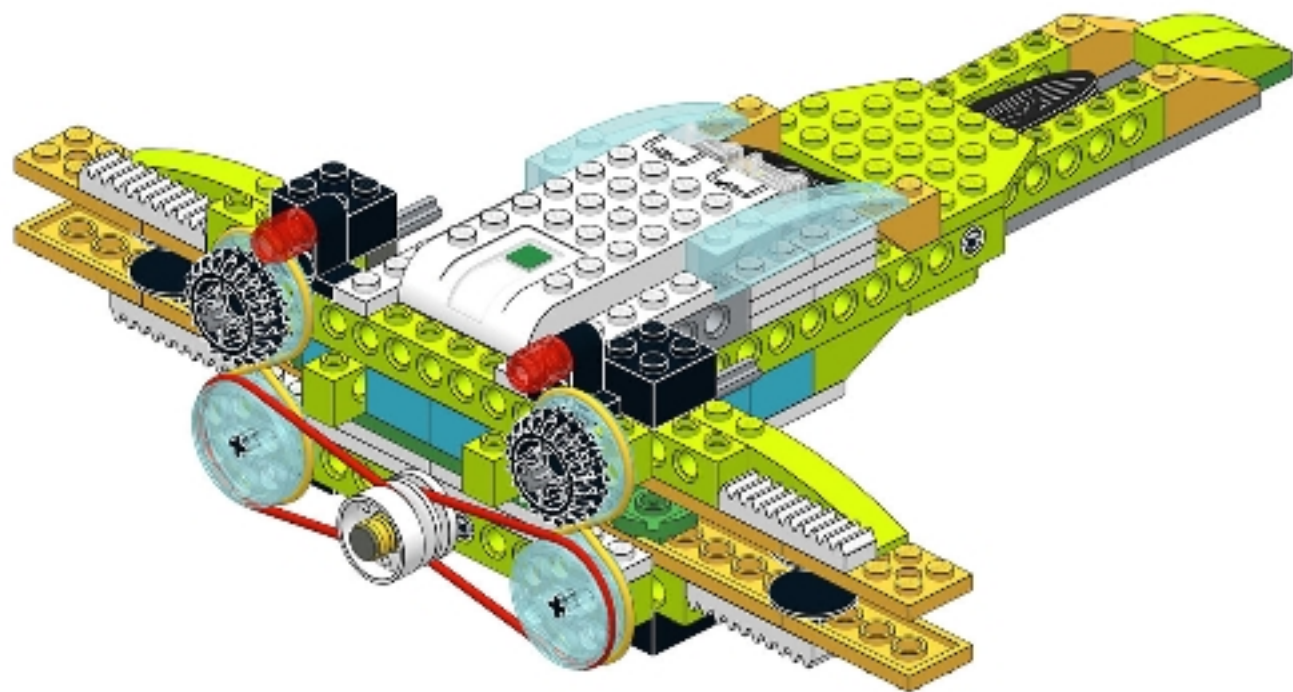
78

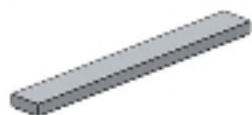




2x

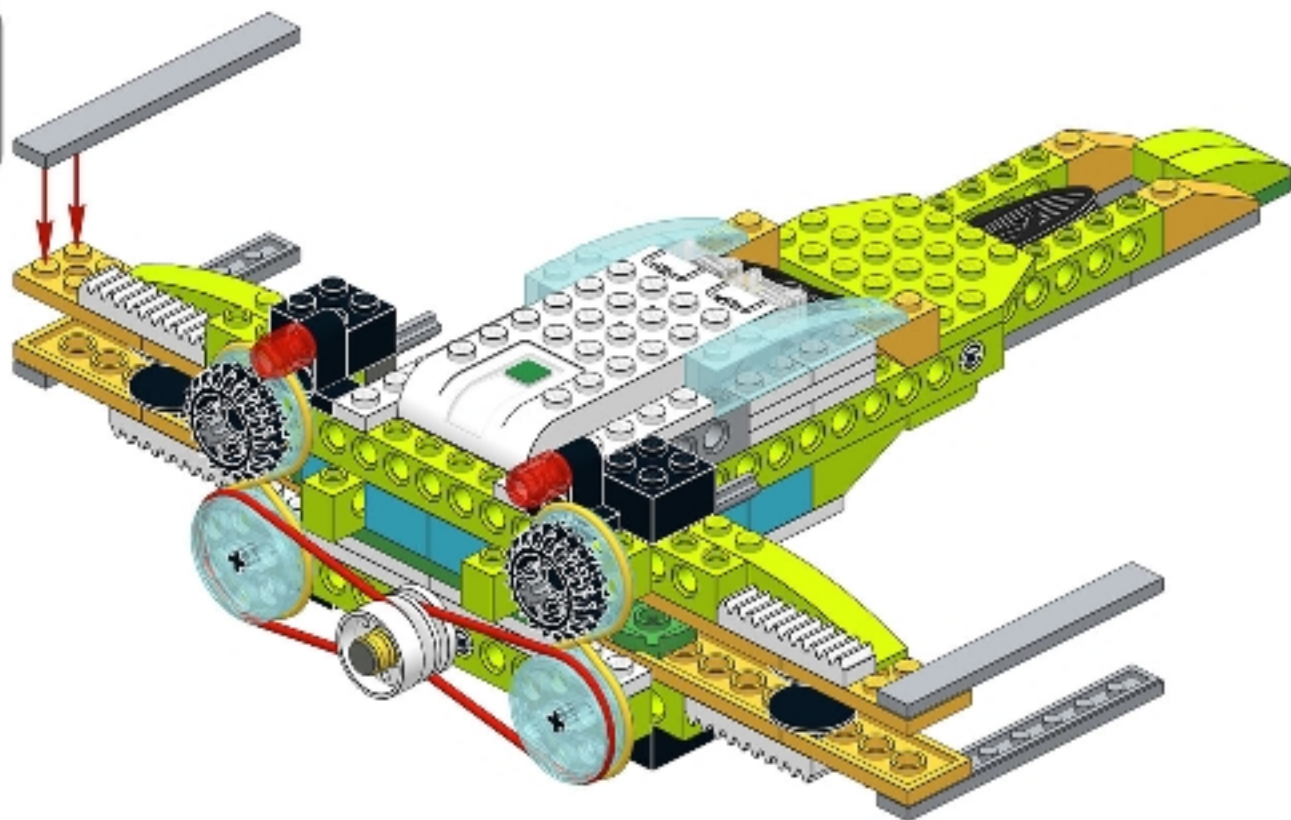
79





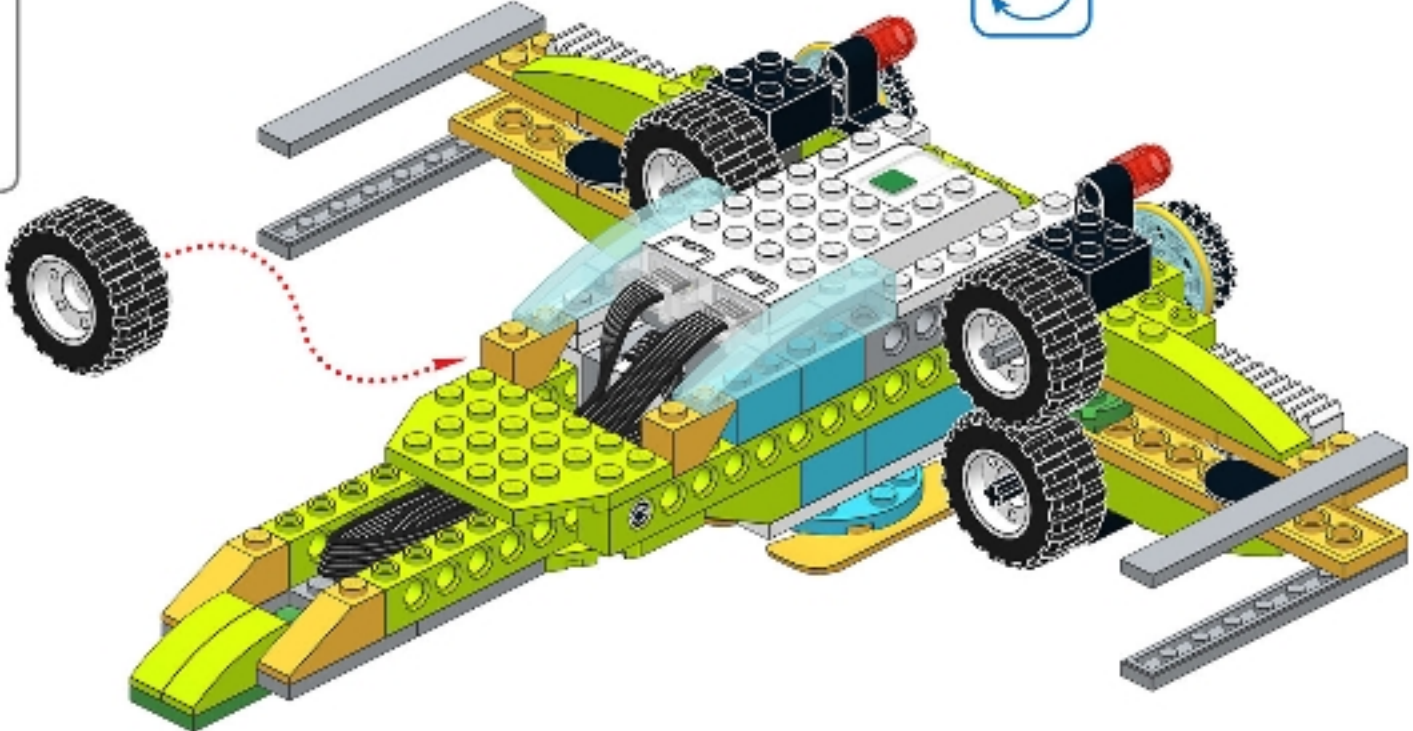
4x

80





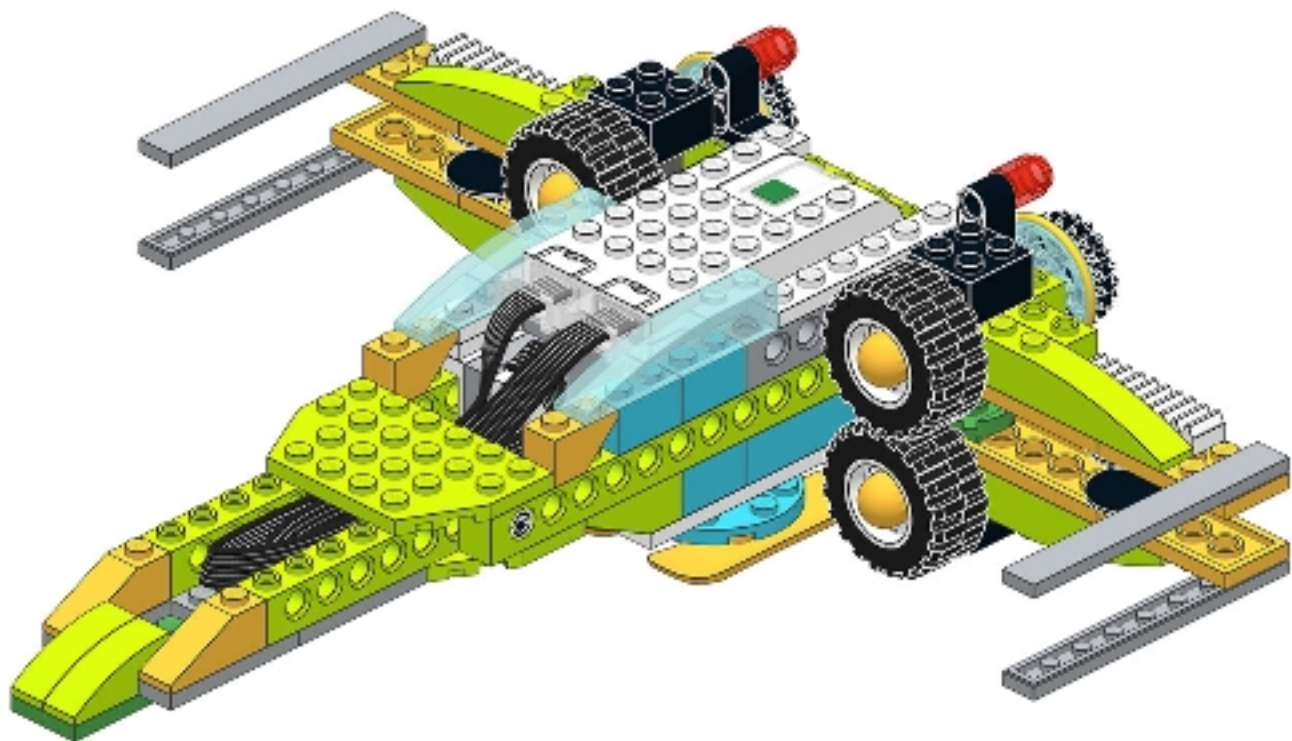
81





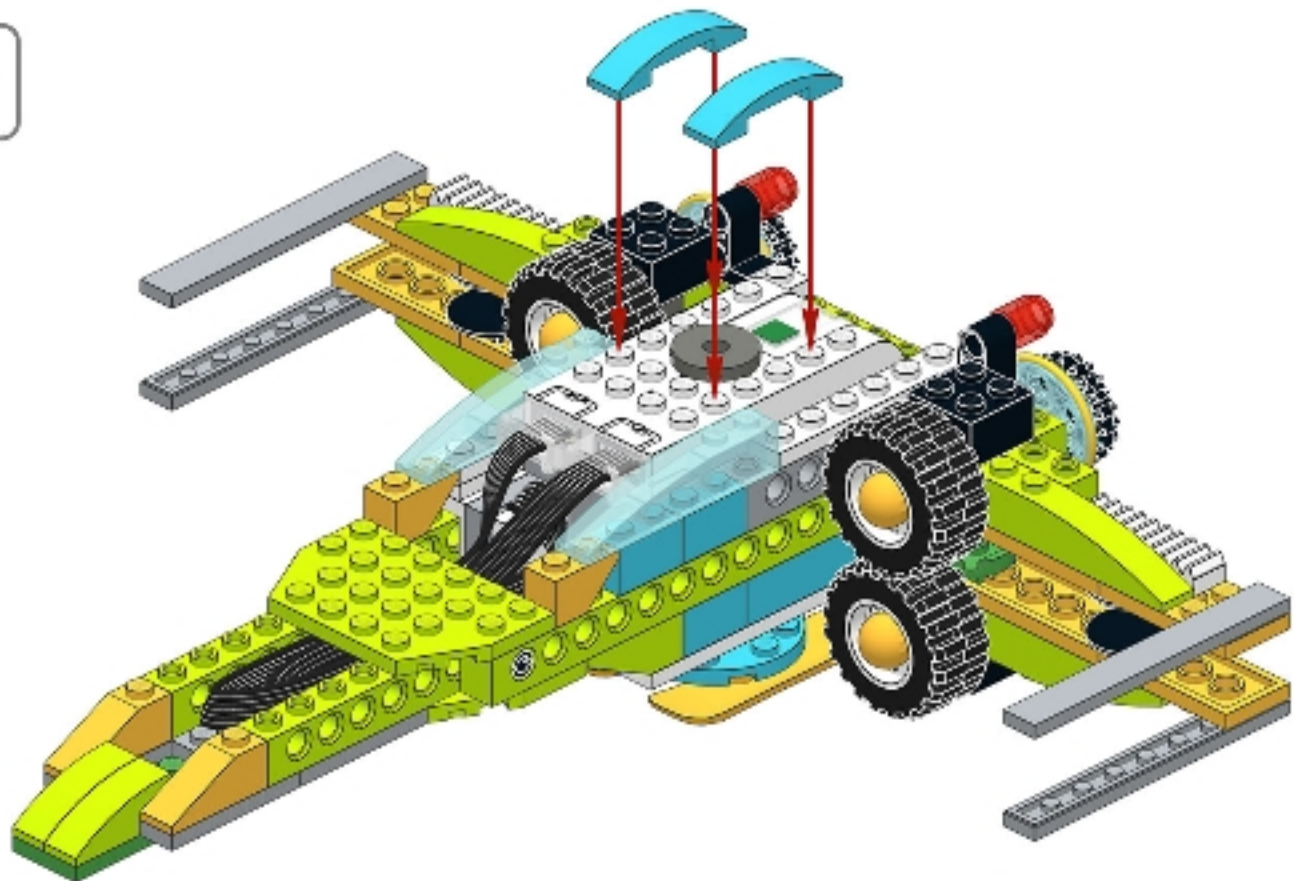
4x

82





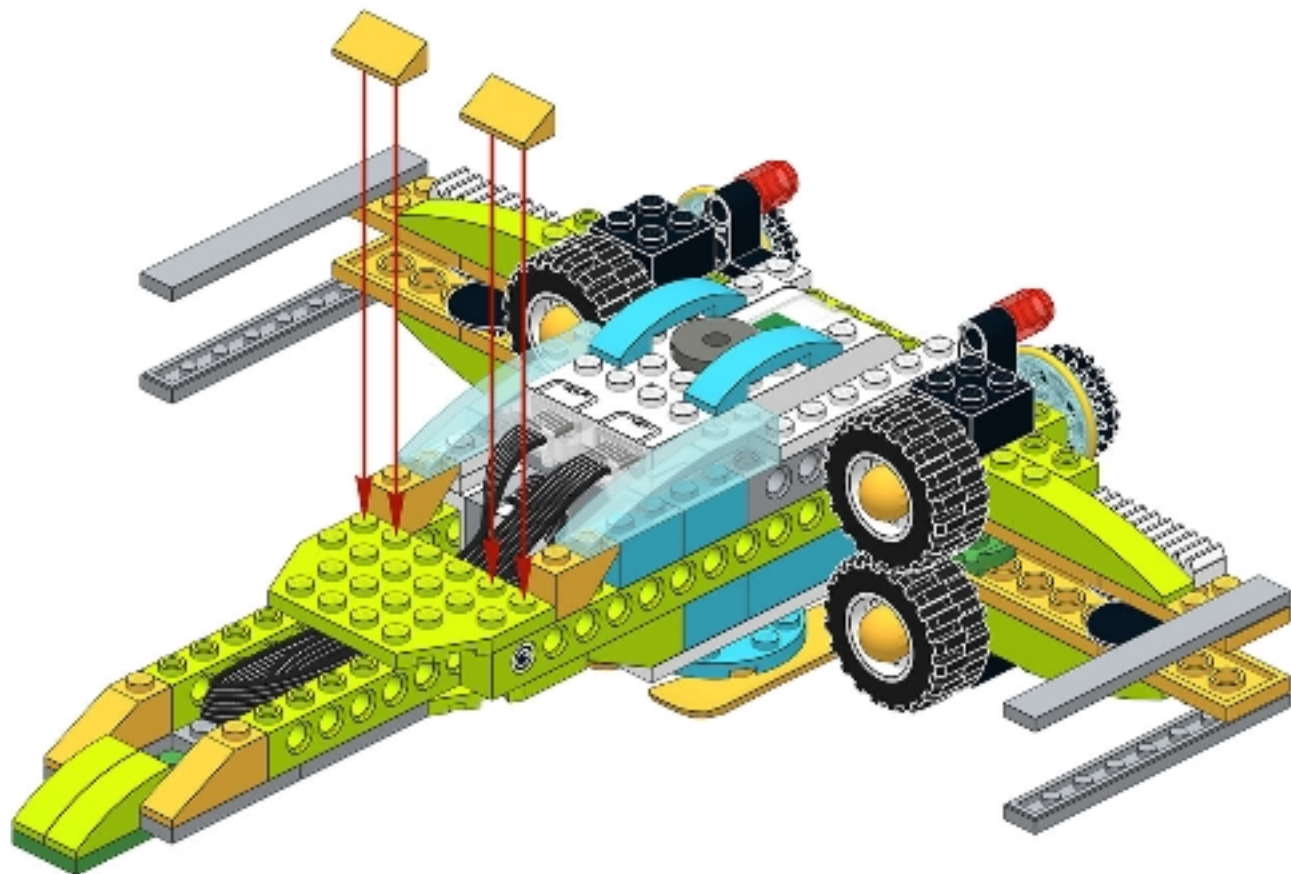
83





2x

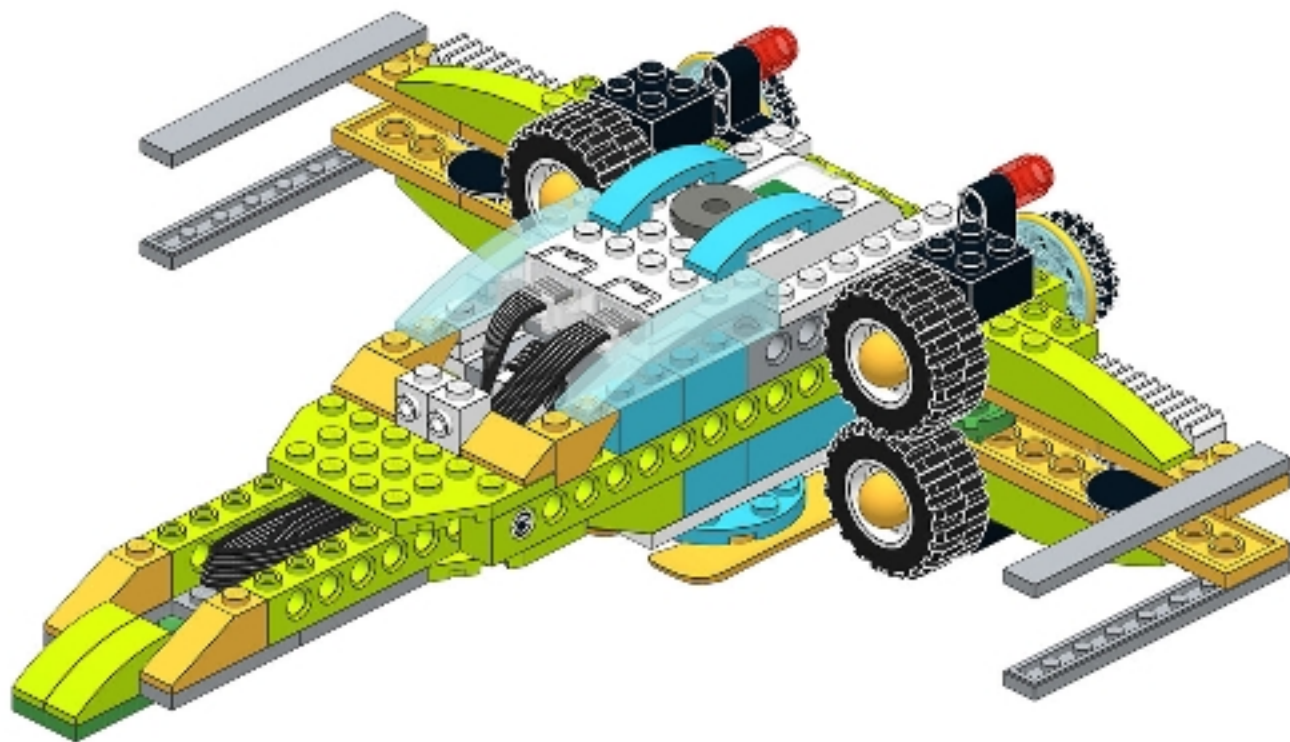
84





2x

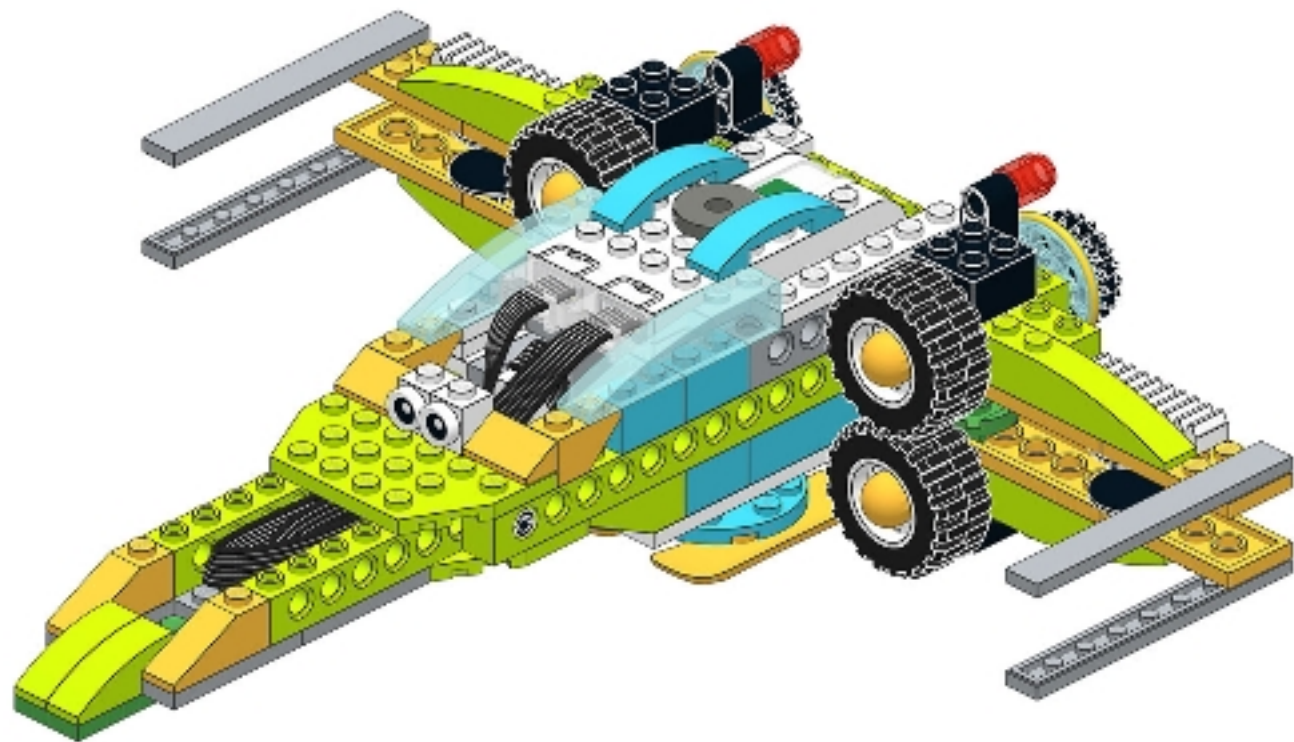
85





2x

86





Task 1

Test the closing and opening of the wings. To do this, use the program:

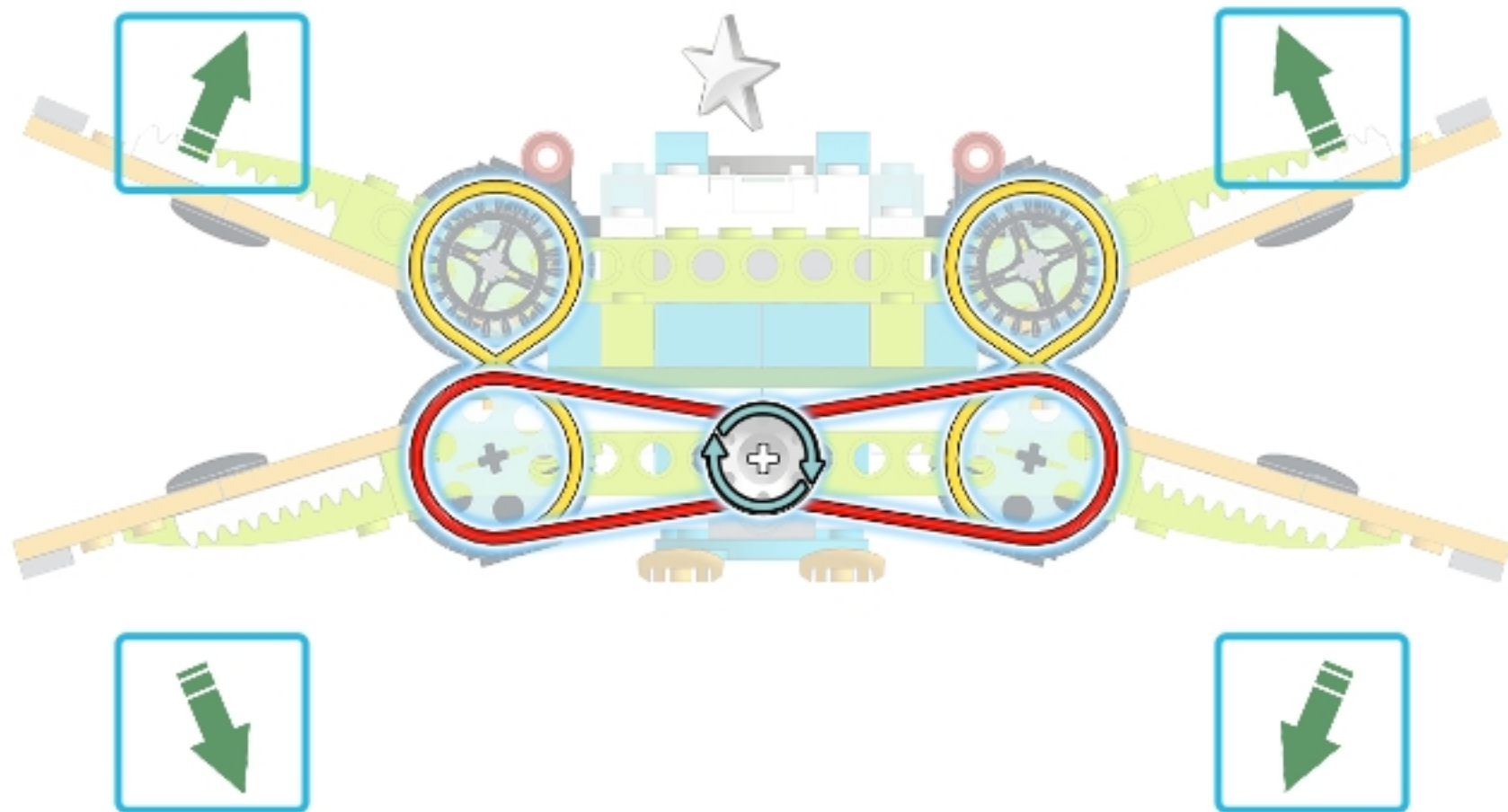


How do the wings work? What affects on their work?



Task

How are the wings moving in this position of belt gears? To change the direction of the wings, click on the corresponding arrow.





Task 3. Questions

What program block repeat the program?





Завдання 4. Програма 3*

Add the displaying the data about height of flight to the screen:

