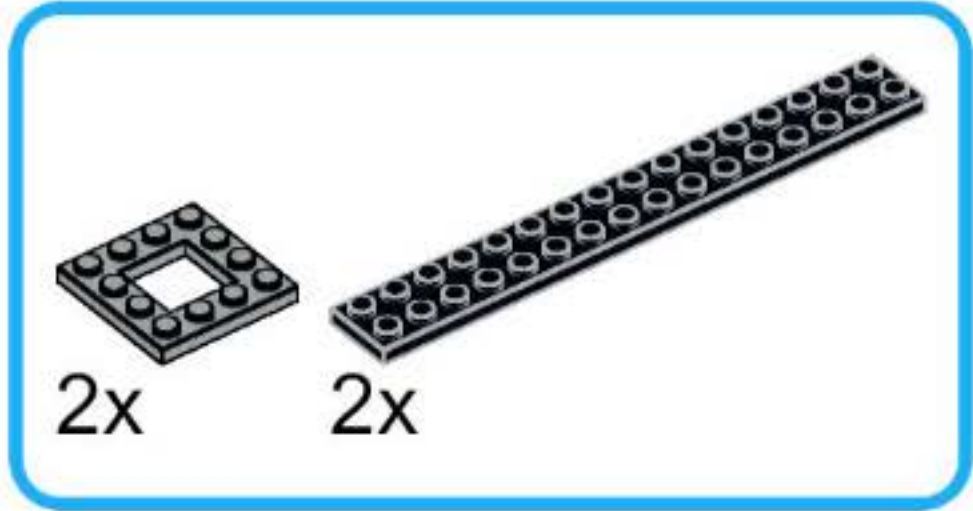


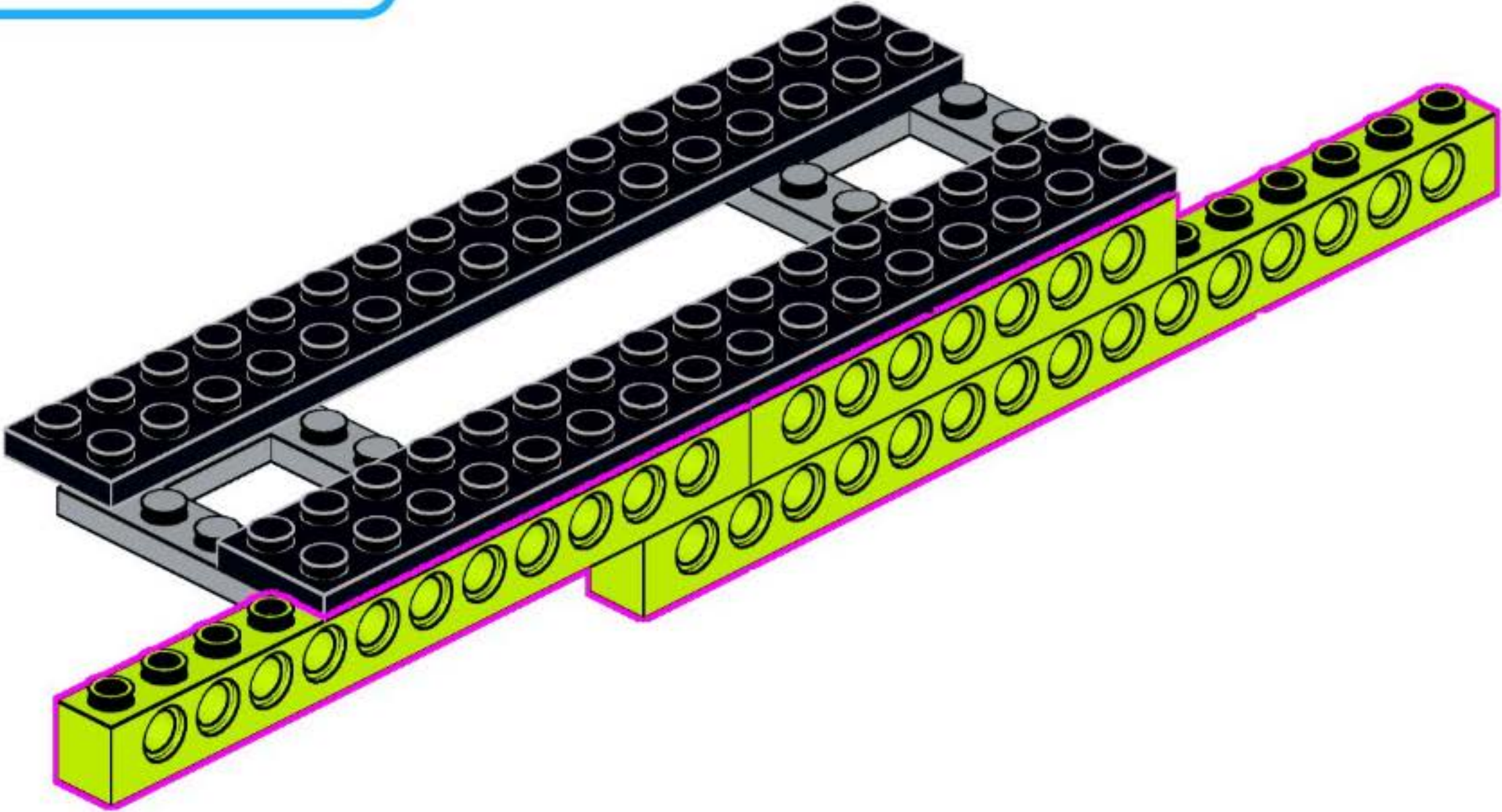
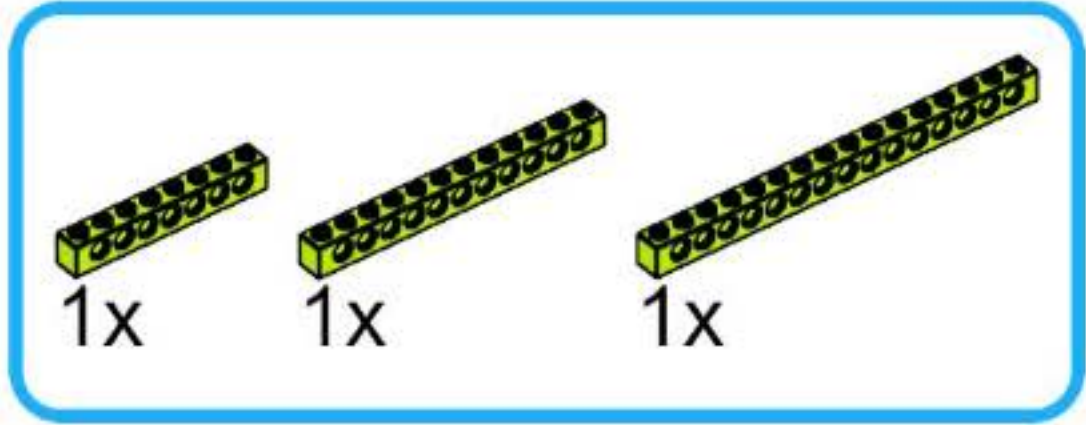
sailboat robot
unofficial building instruction

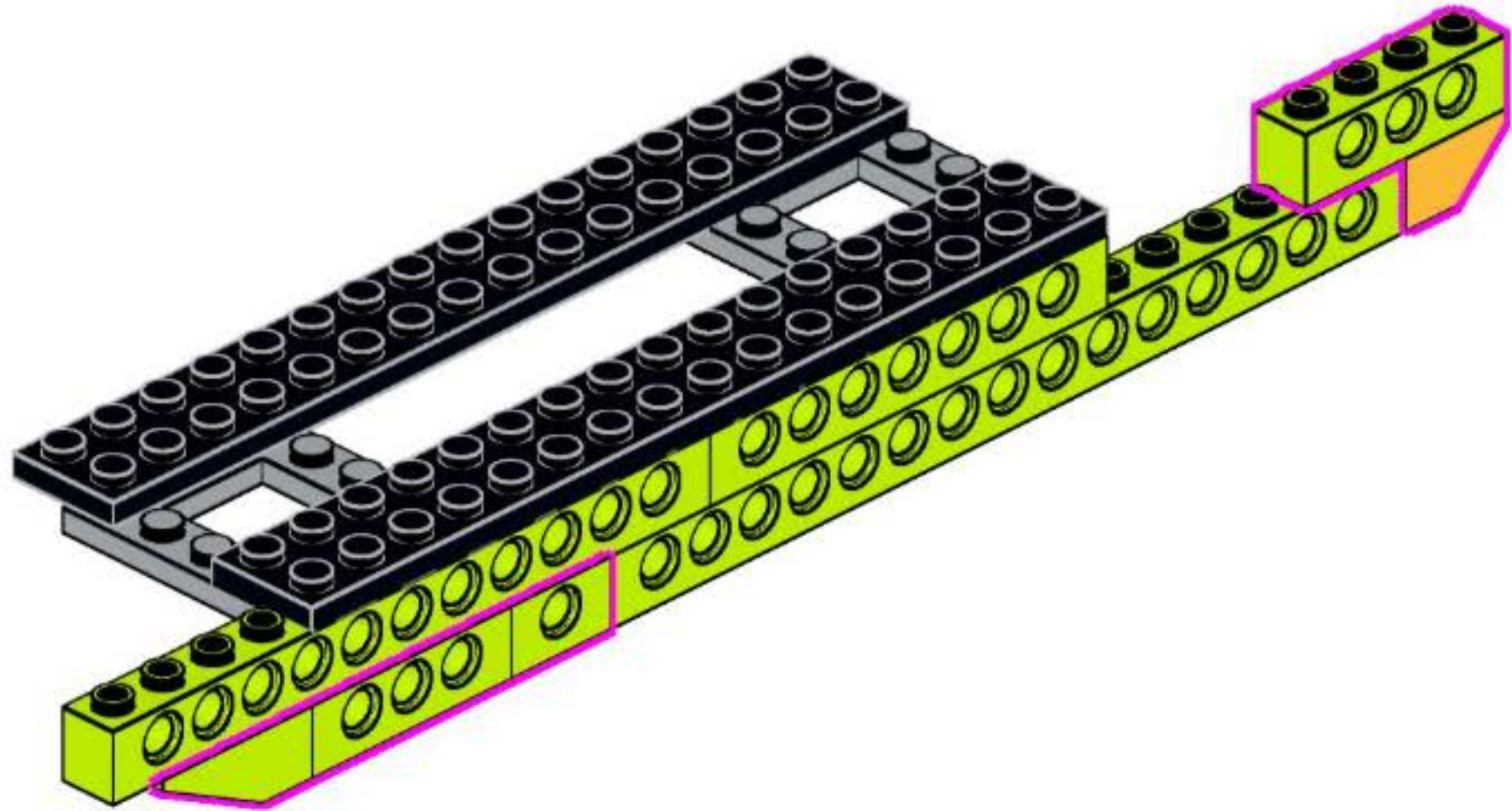
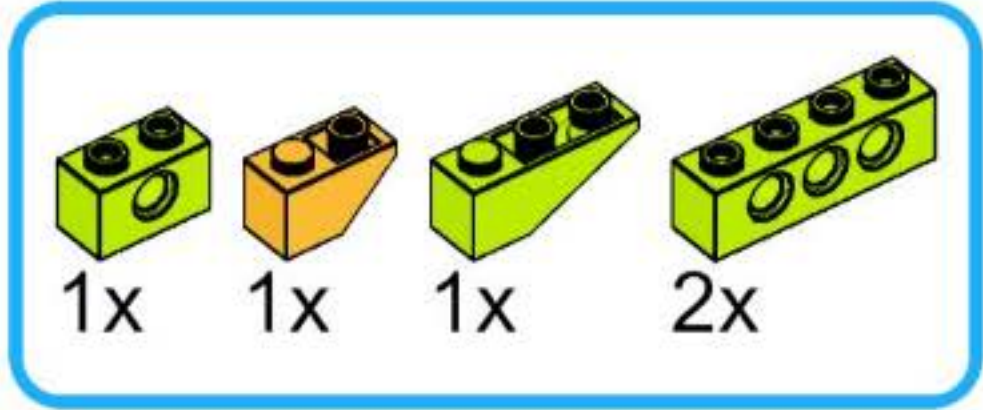


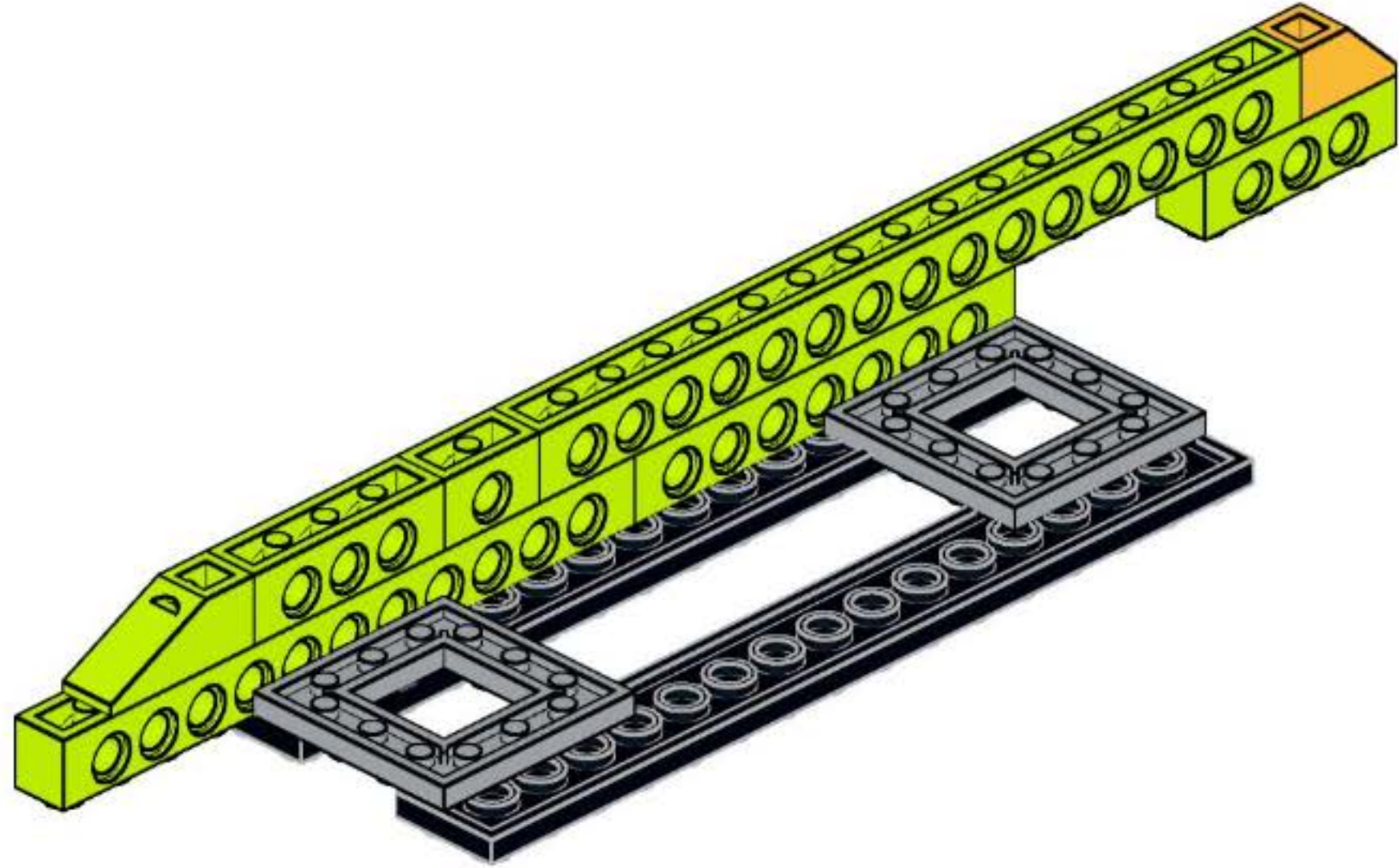
Sailboat

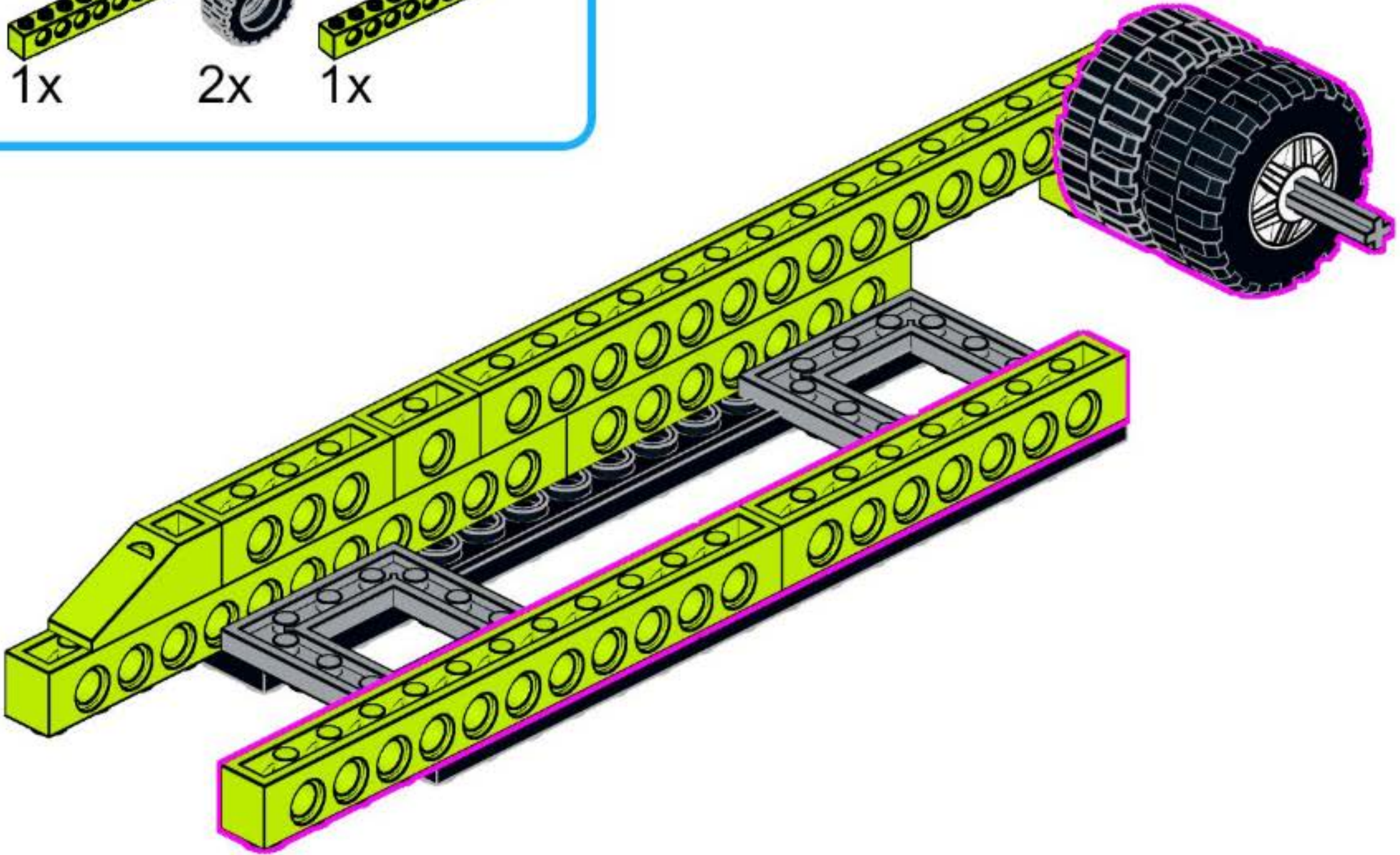
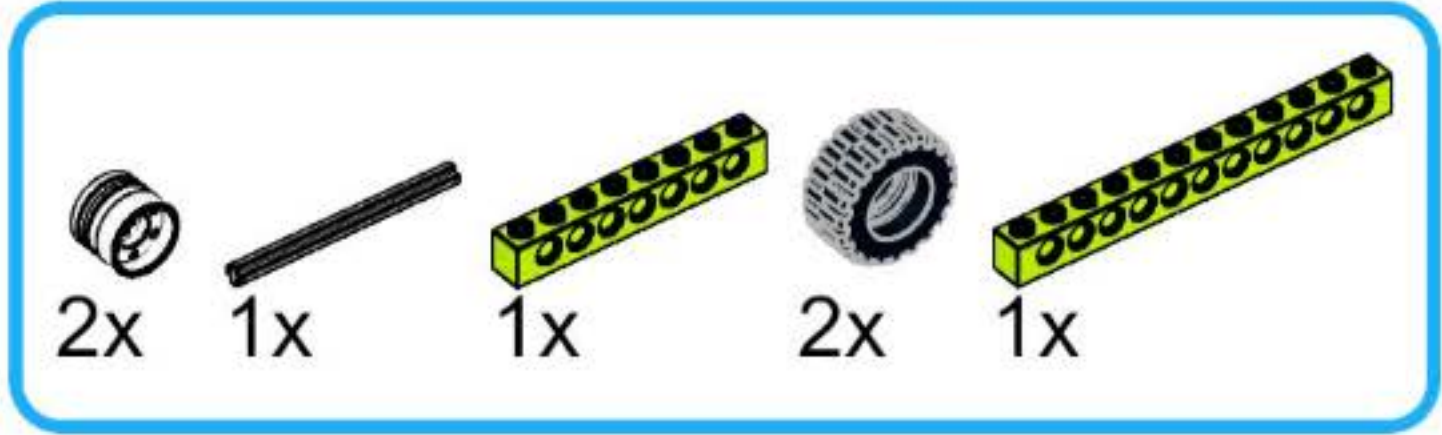
for Lego® WeDo 2.0
45300

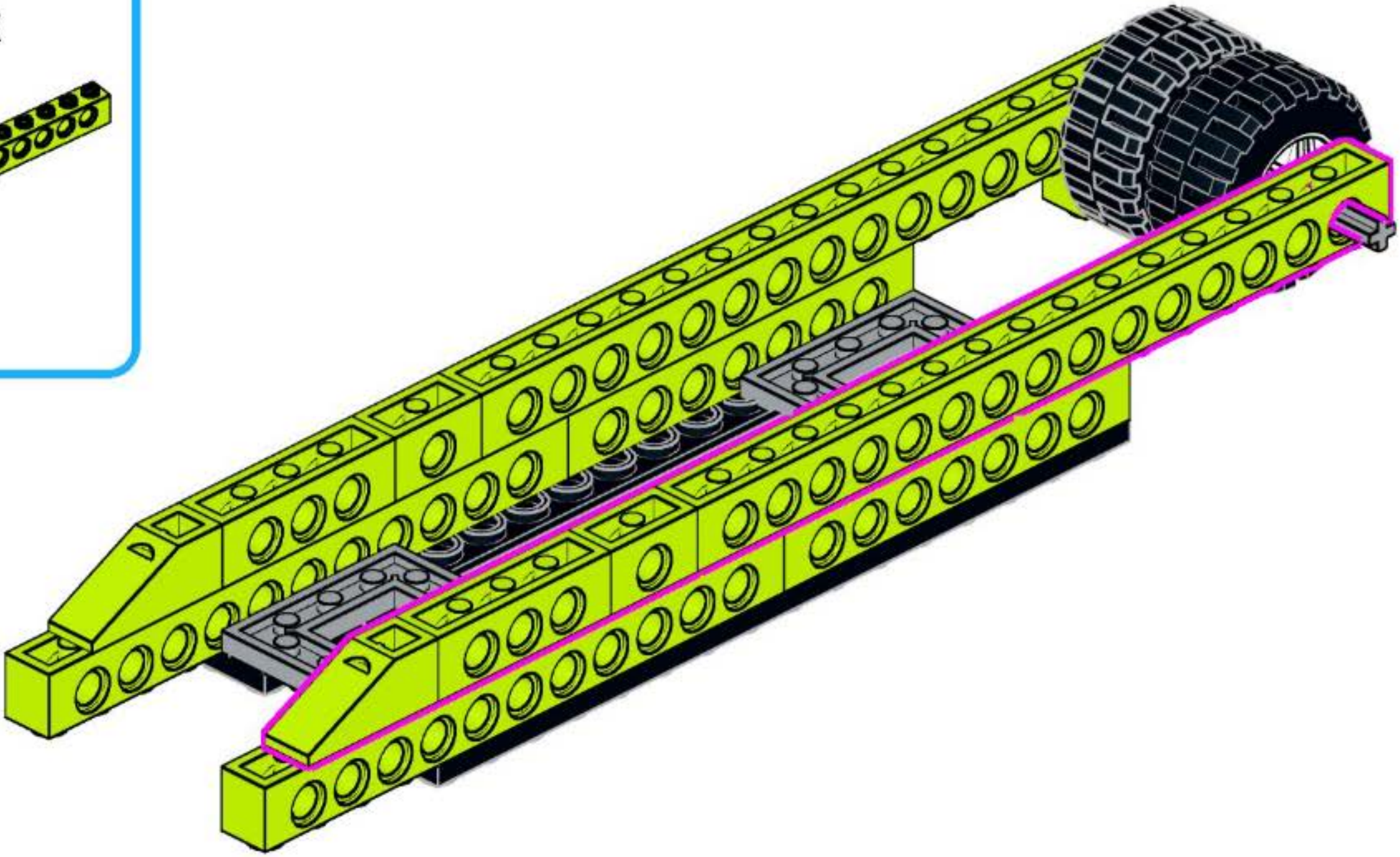
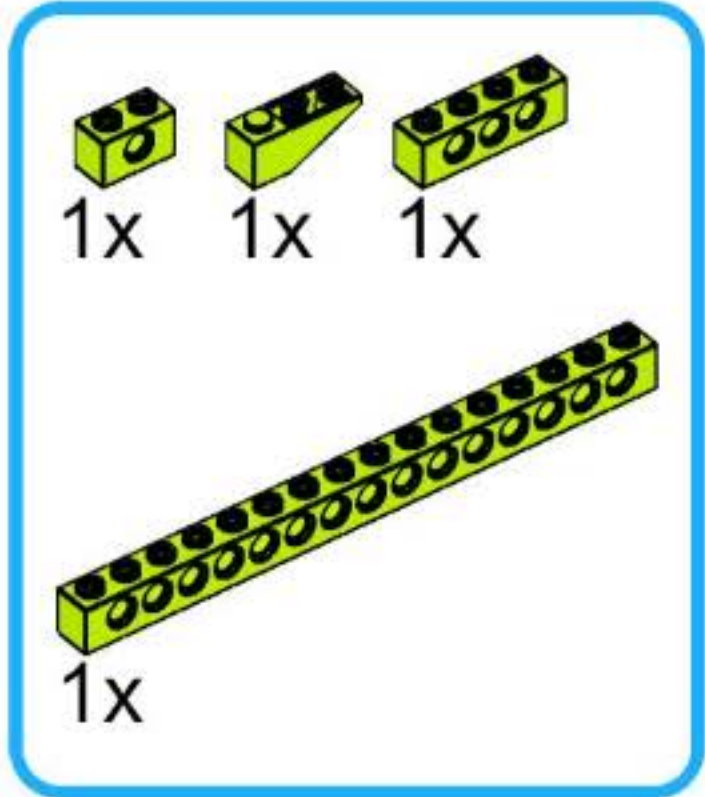


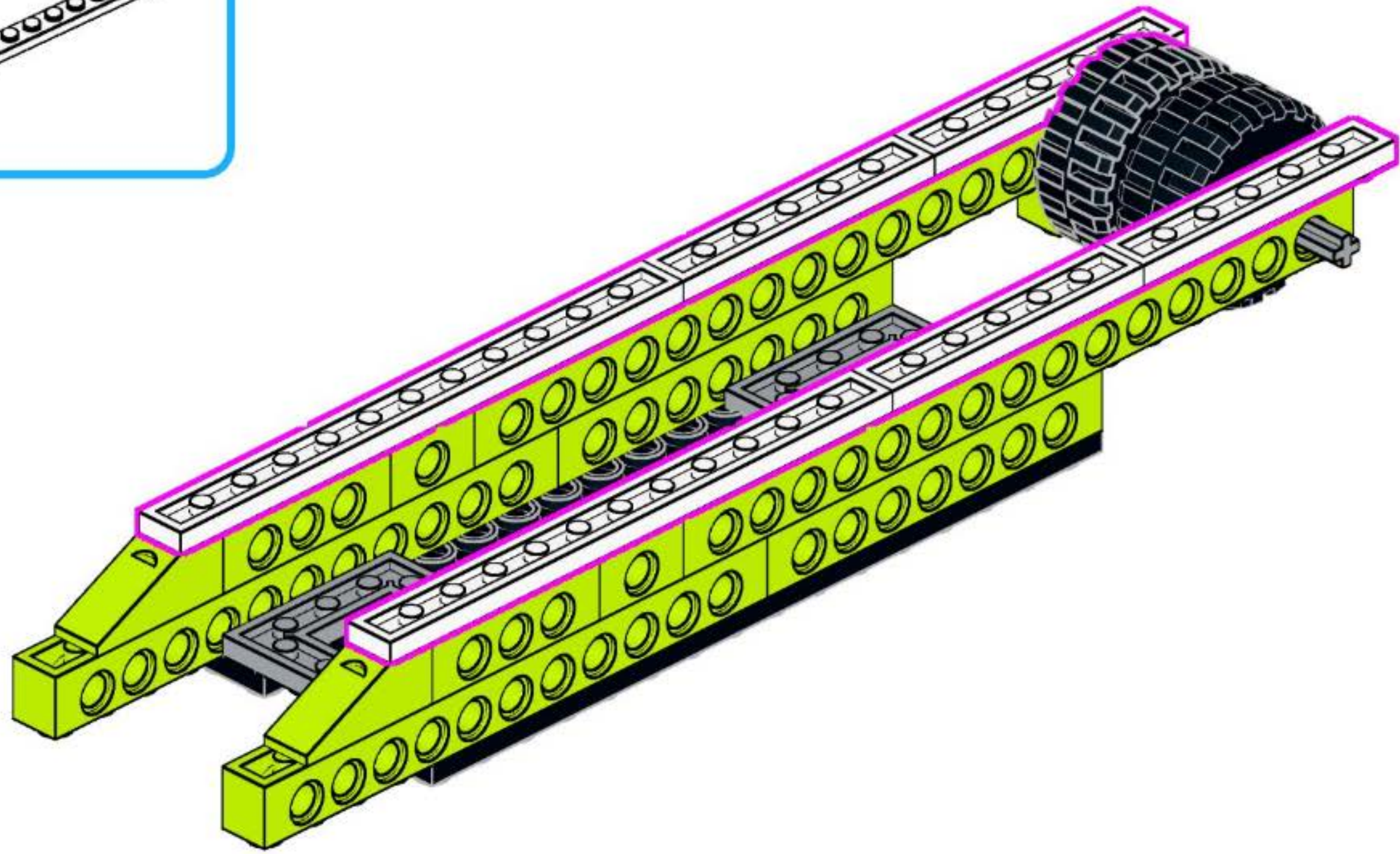
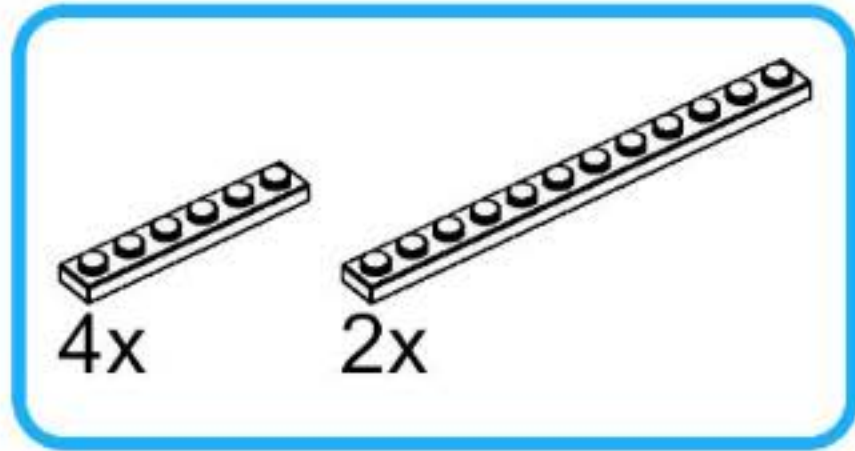


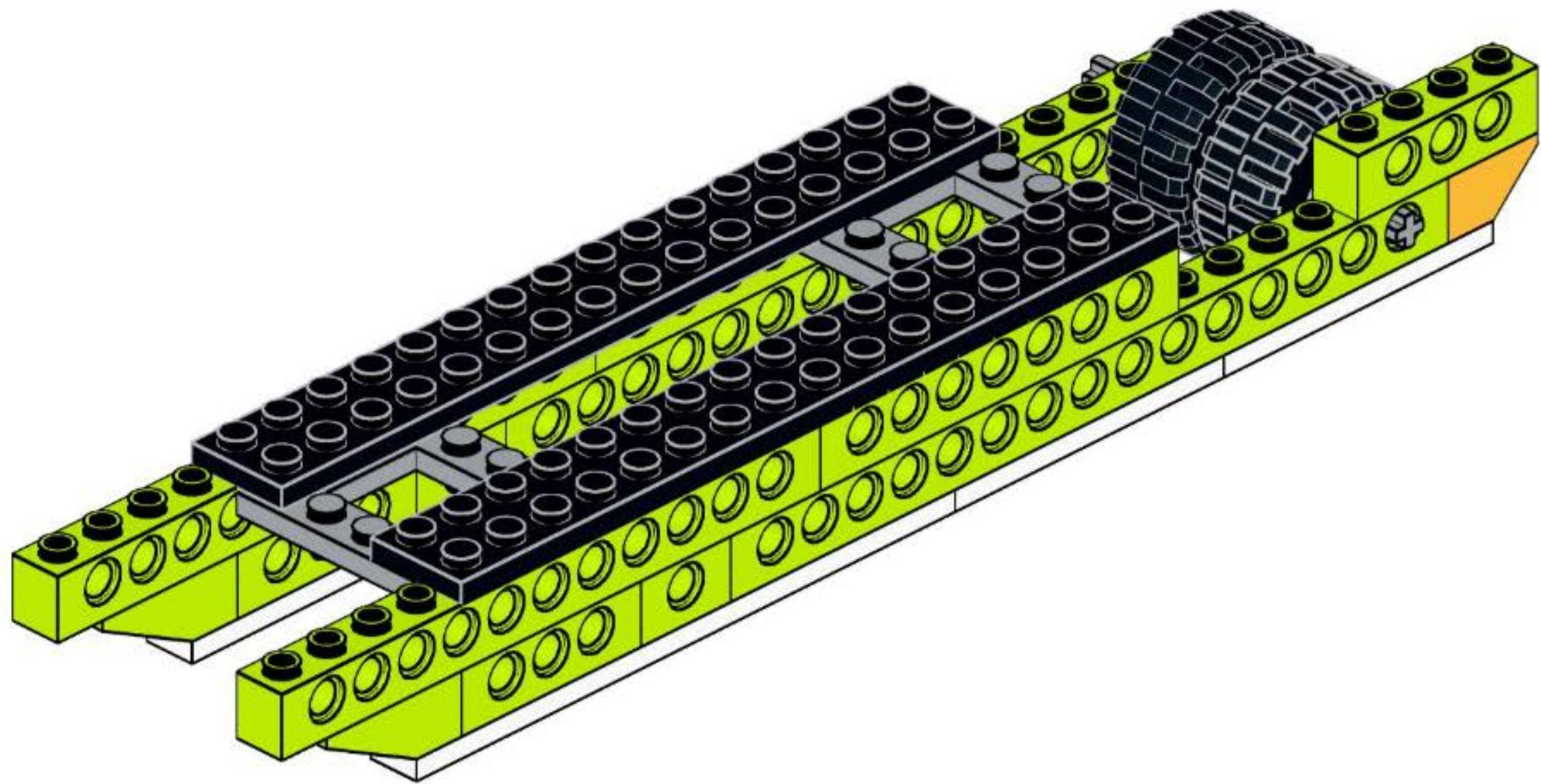


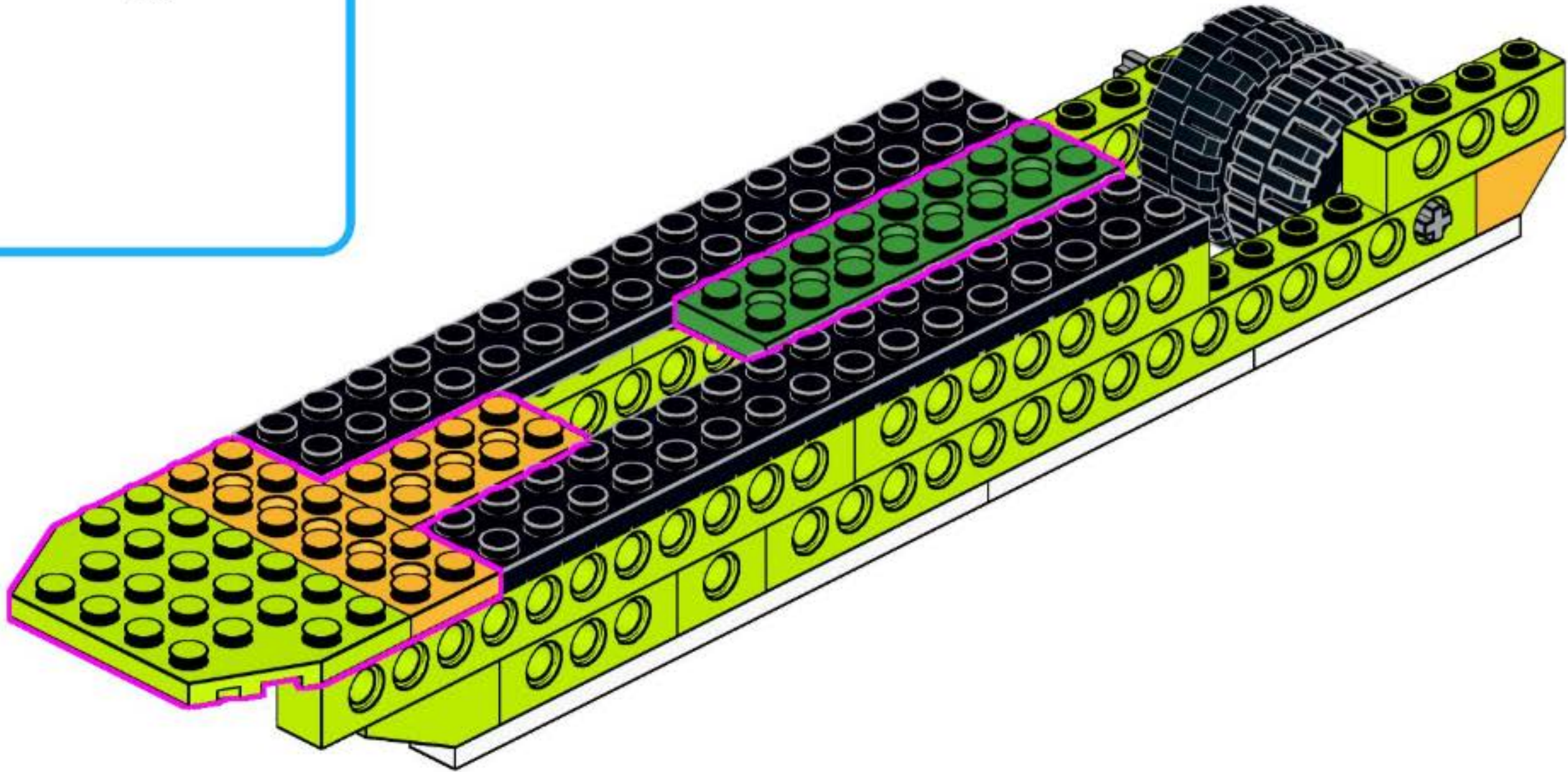
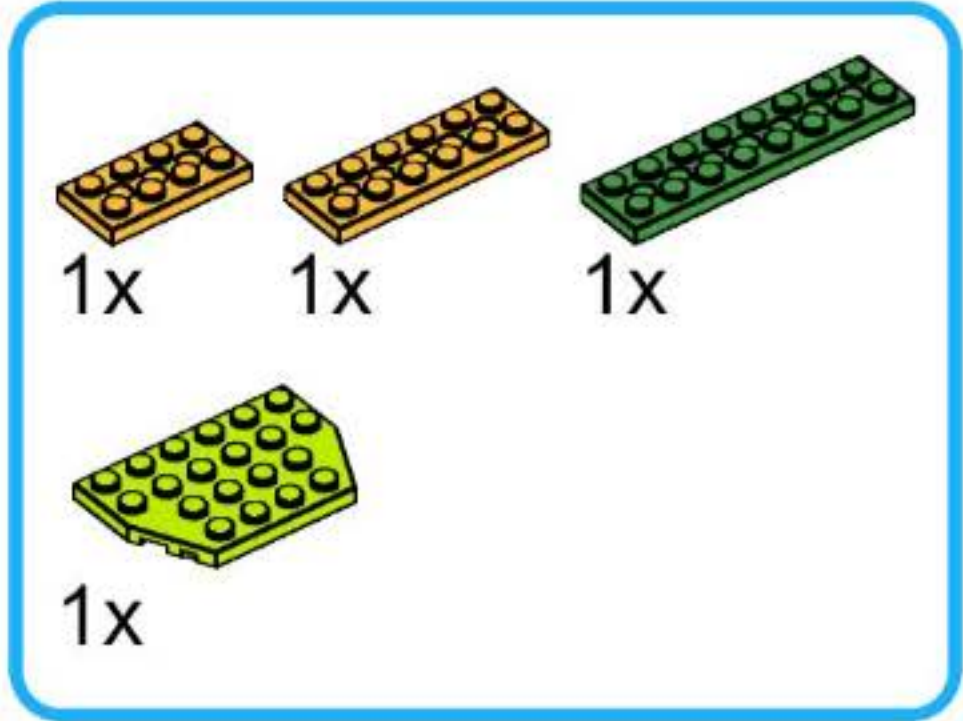


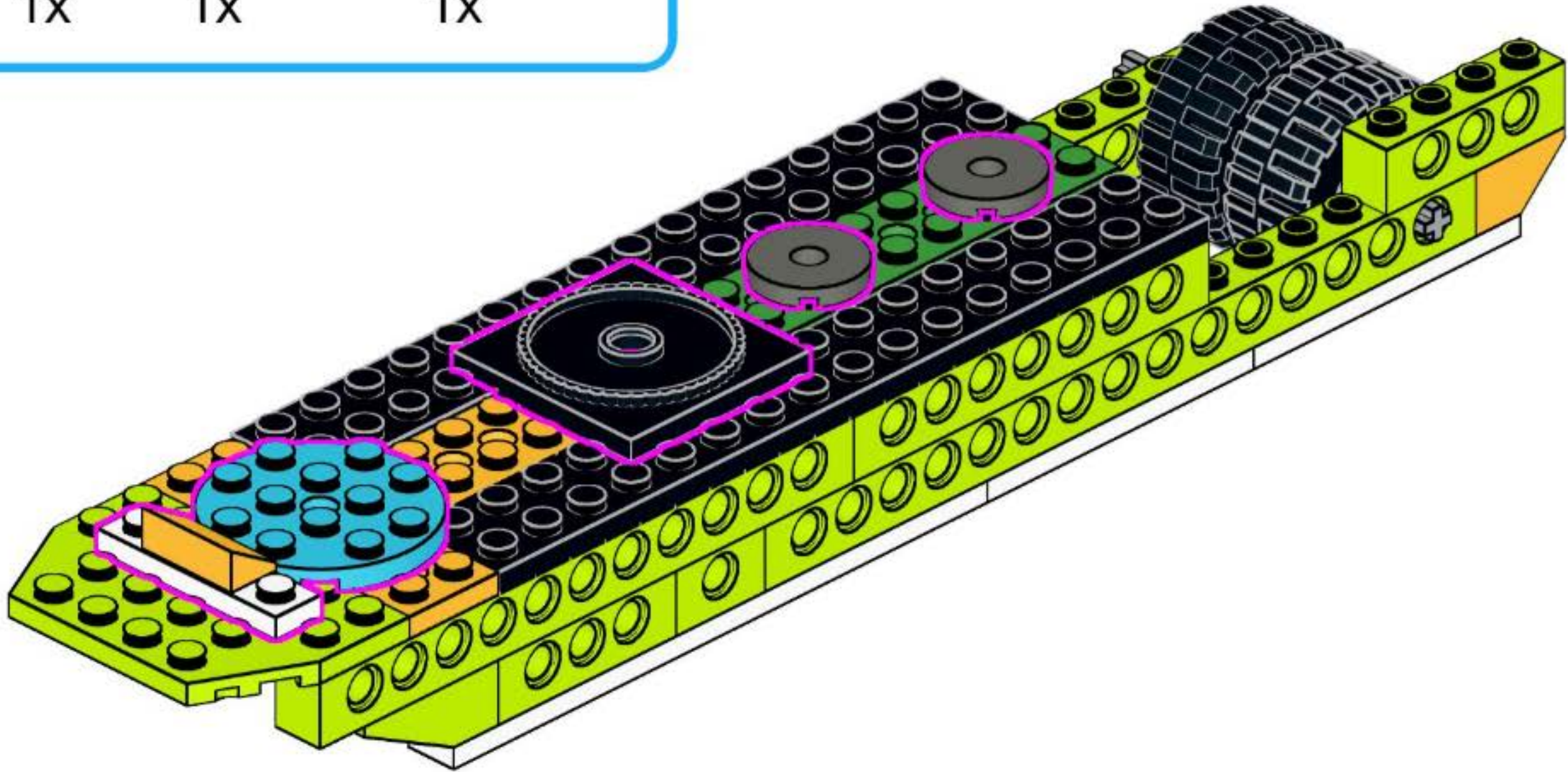
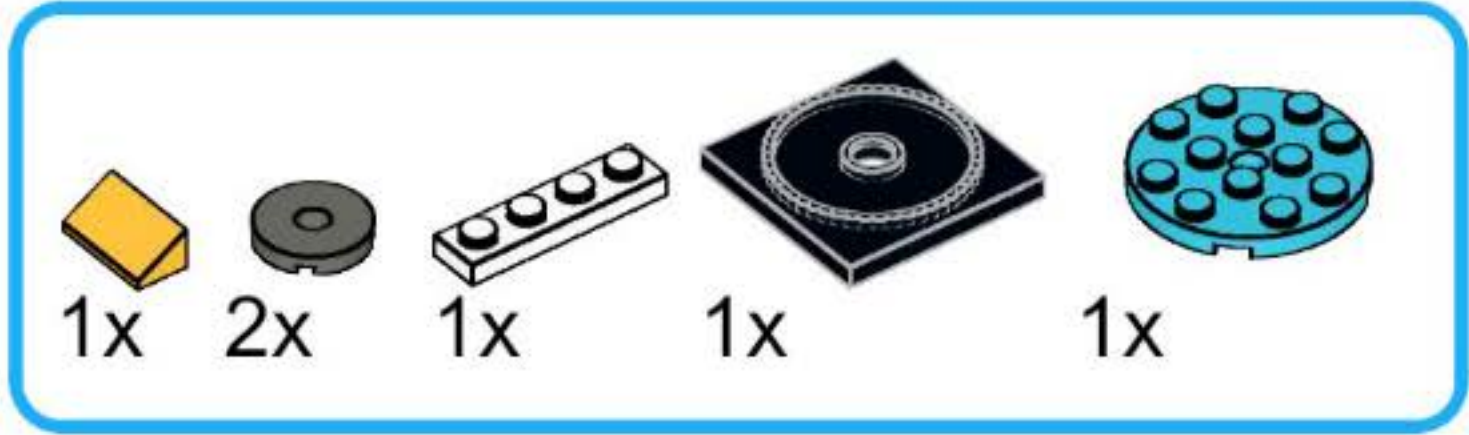


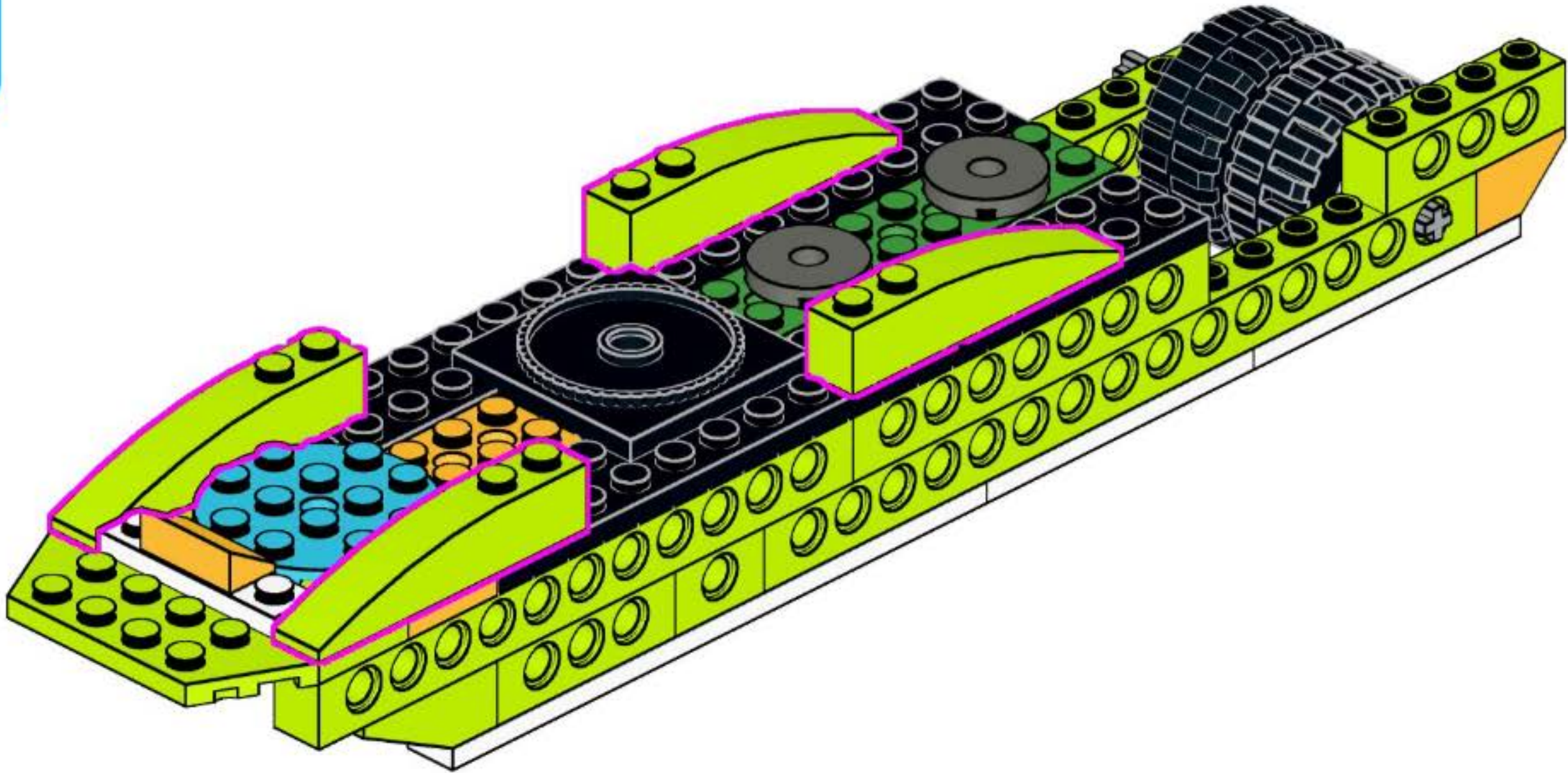
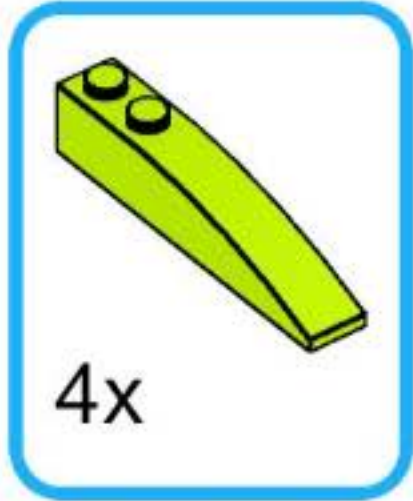


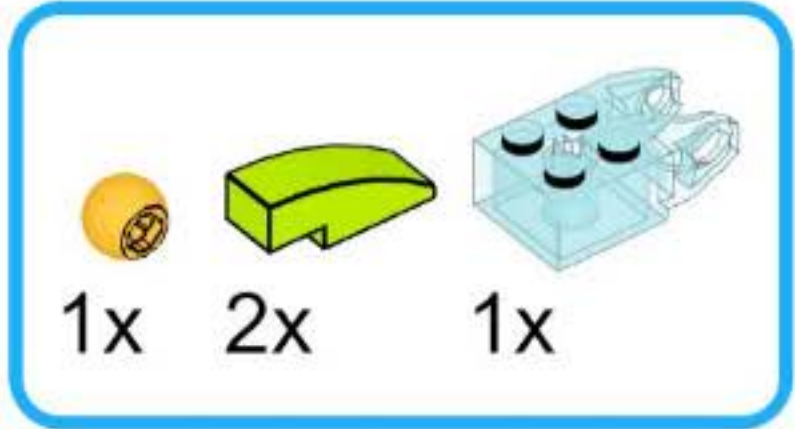






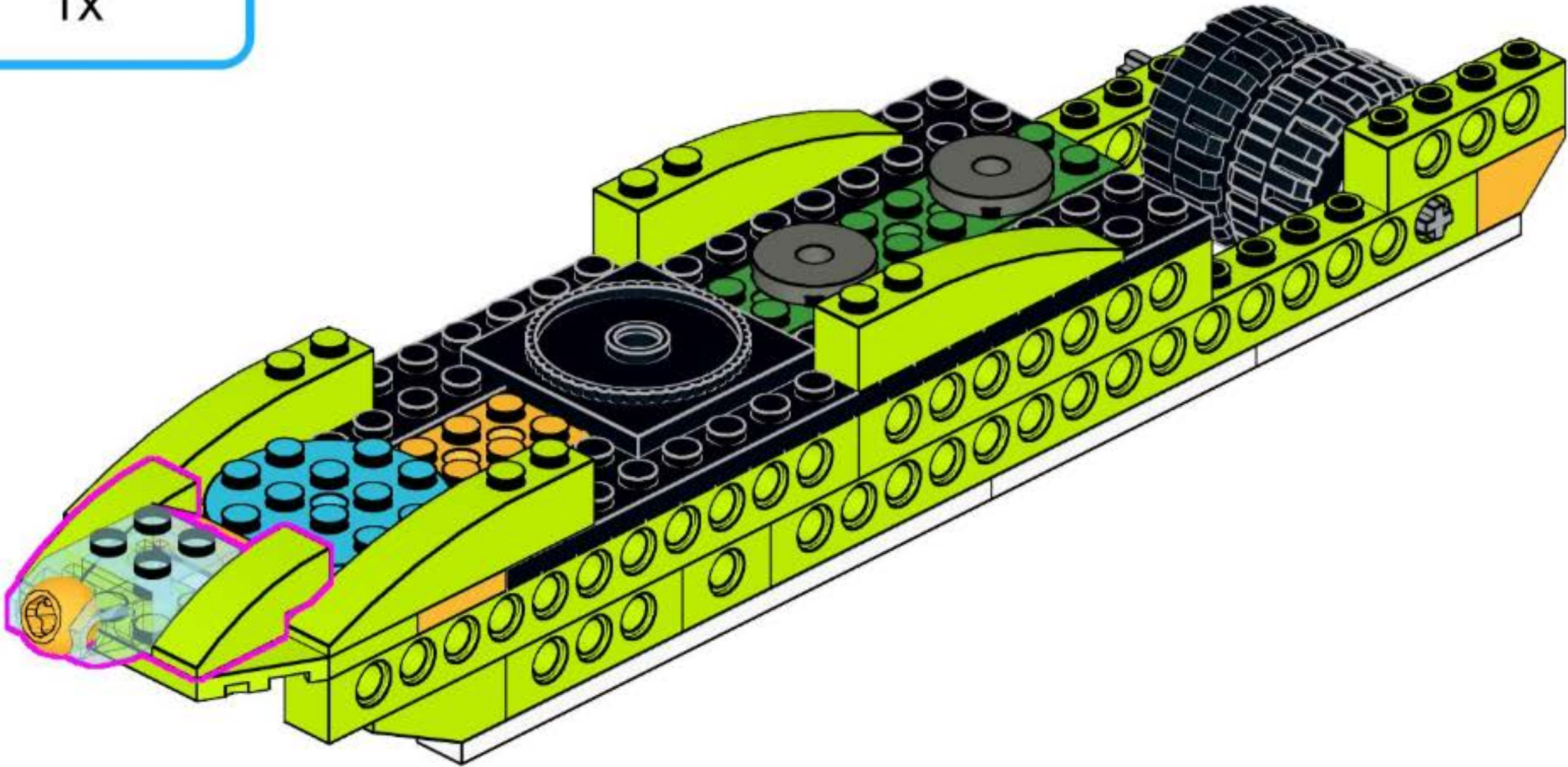




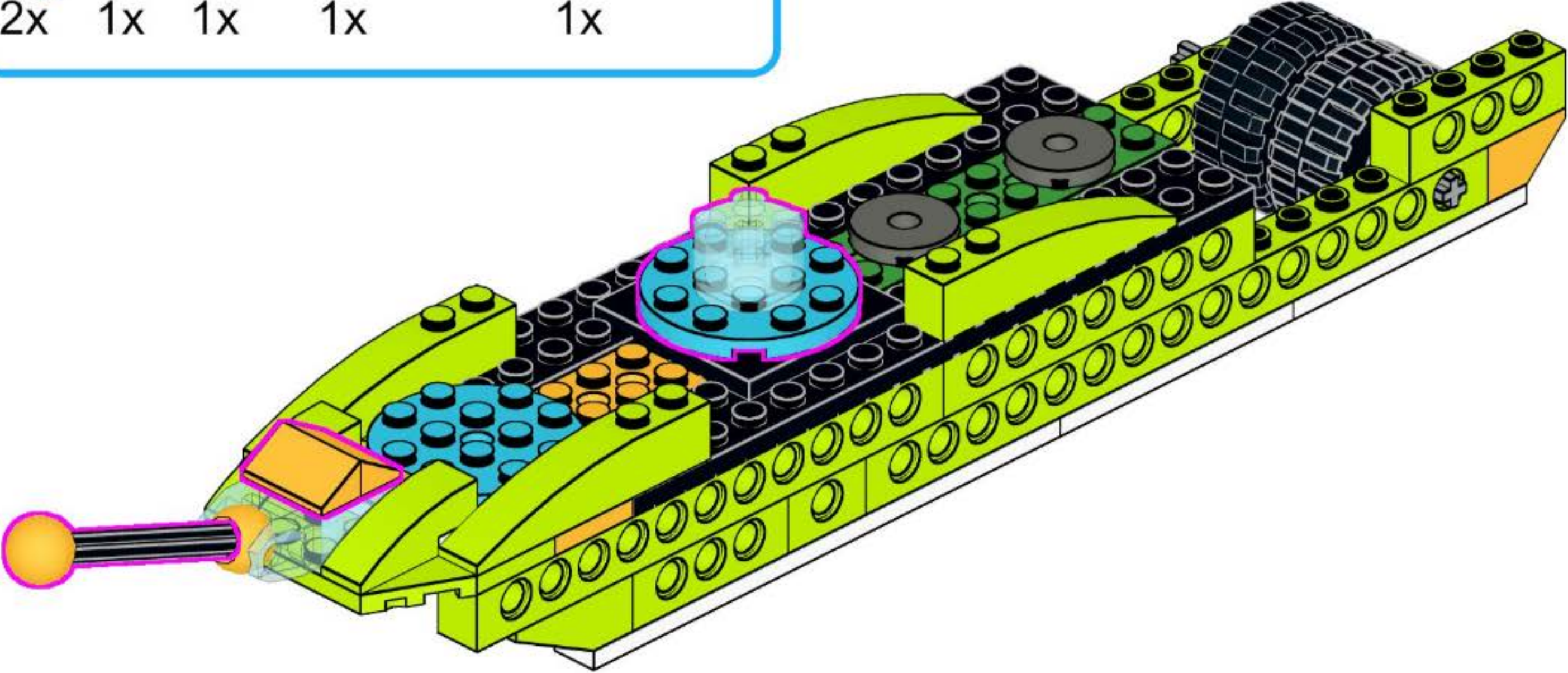
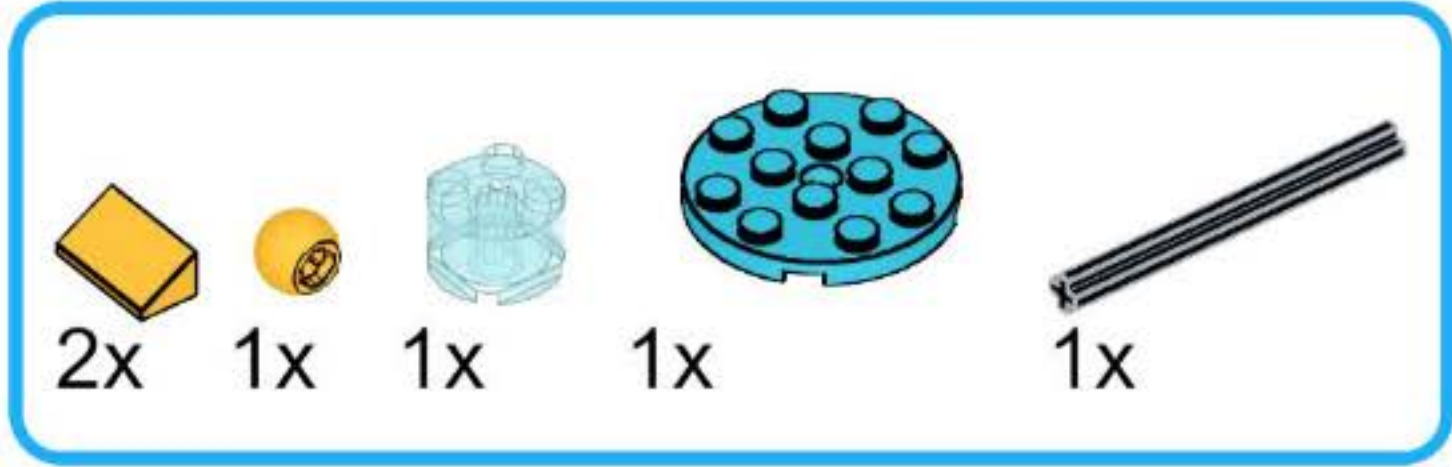


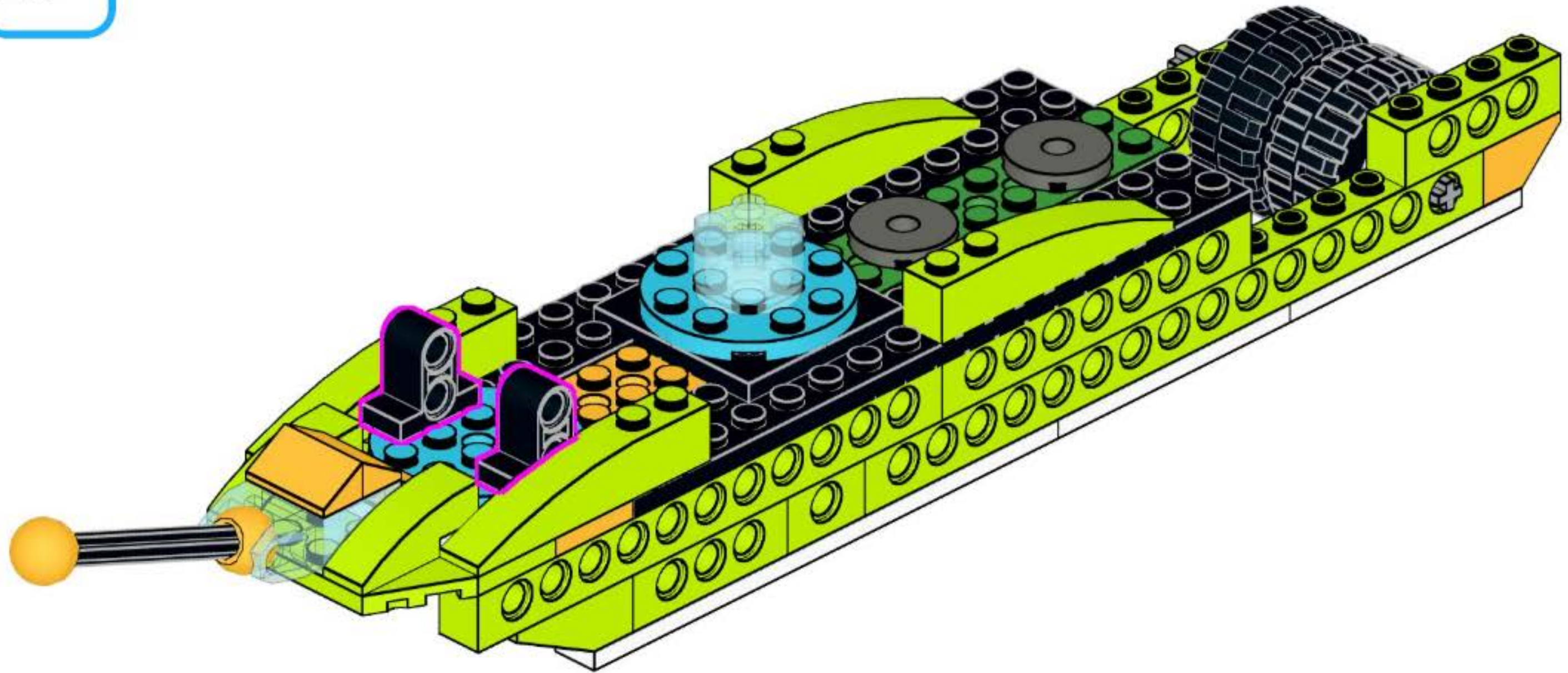
1x 2x 1x

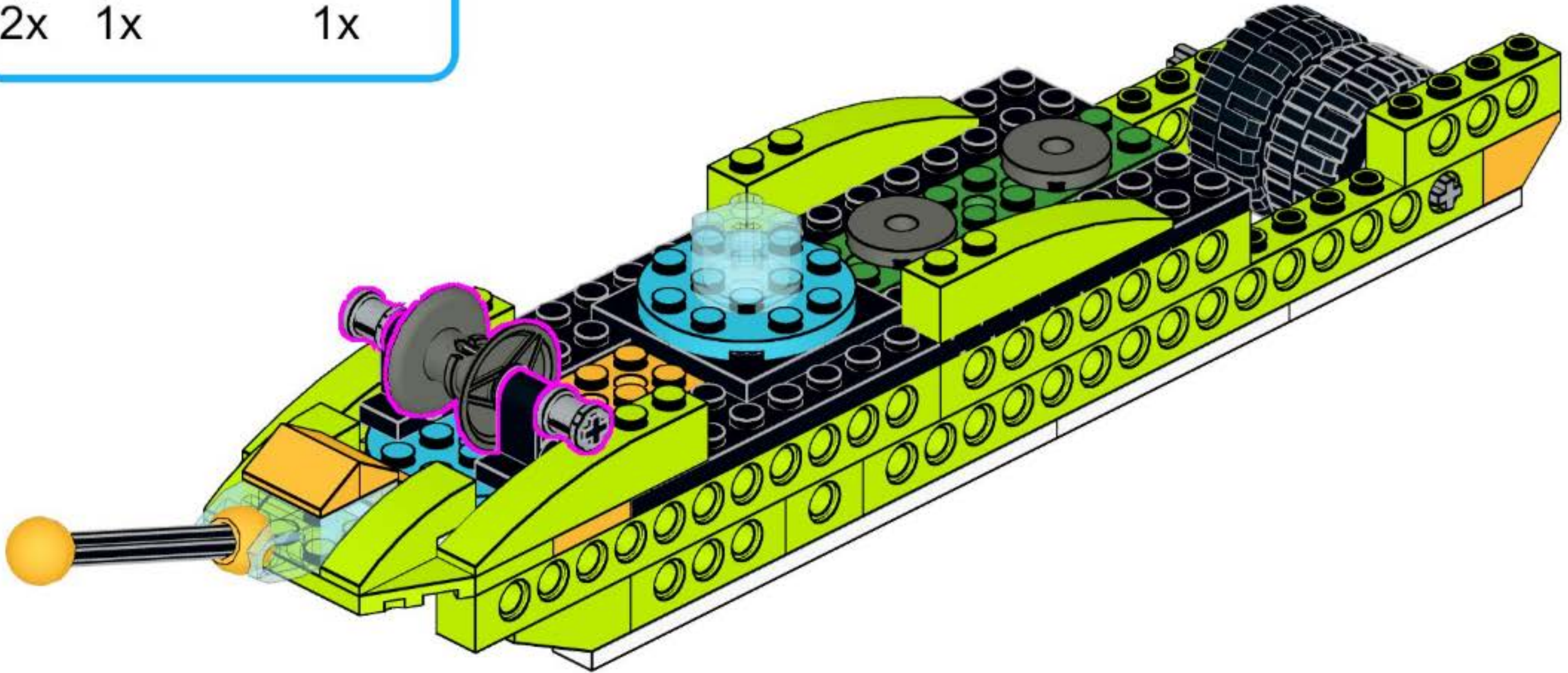
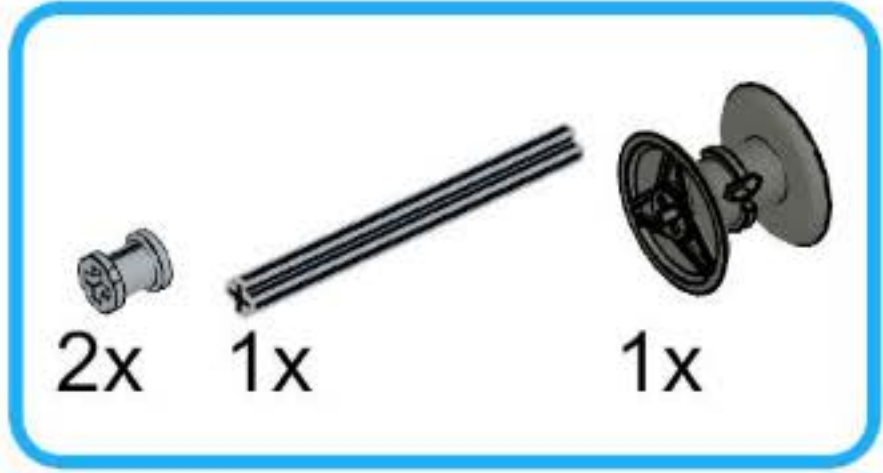
This inset box shows the parts required for the step: one orange axle bush, two yellow curved Technic beams, and one light blue Technic connector. The quantities are listed below each part: 1x, 2x, and 1x.

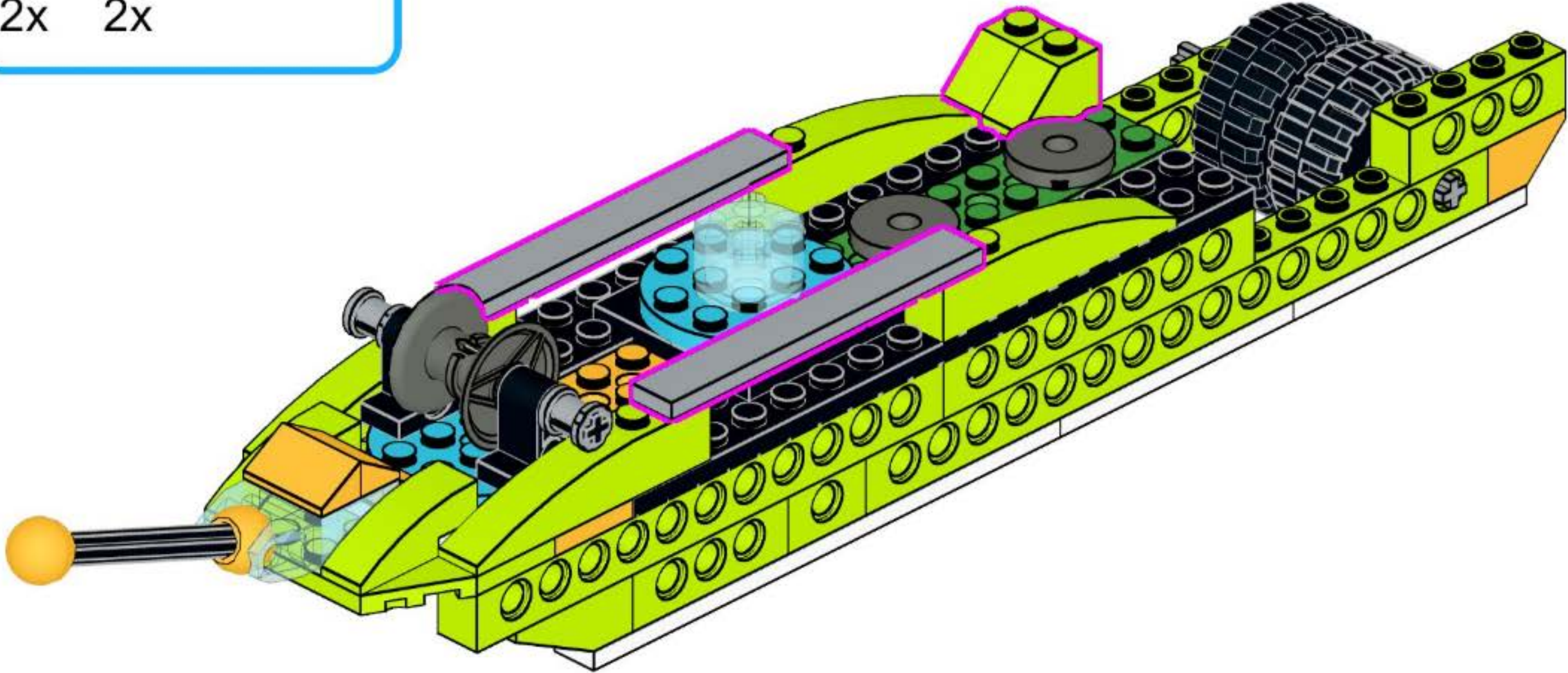
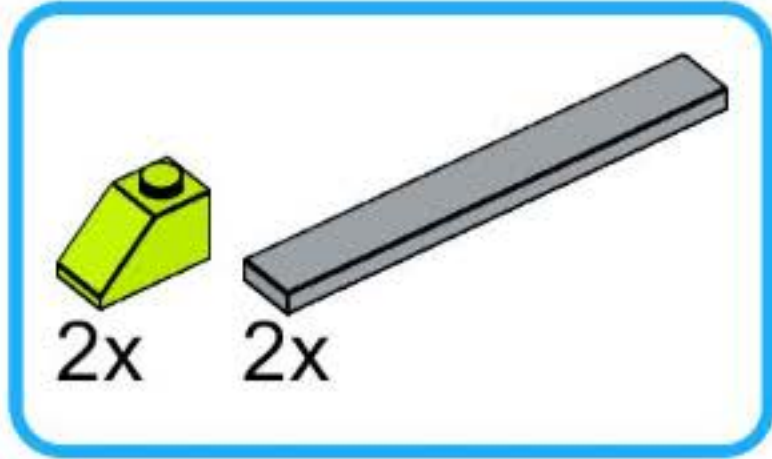


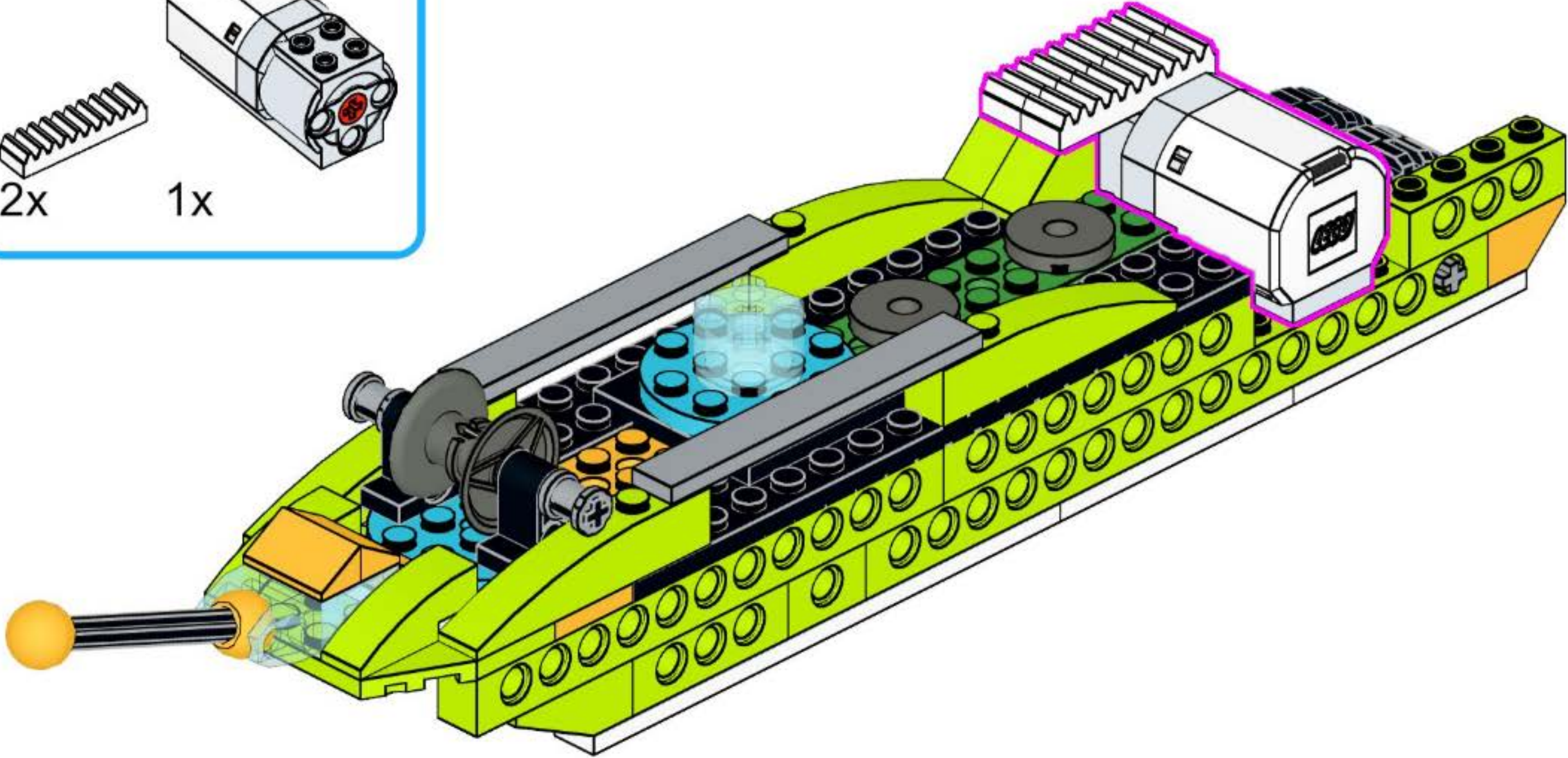
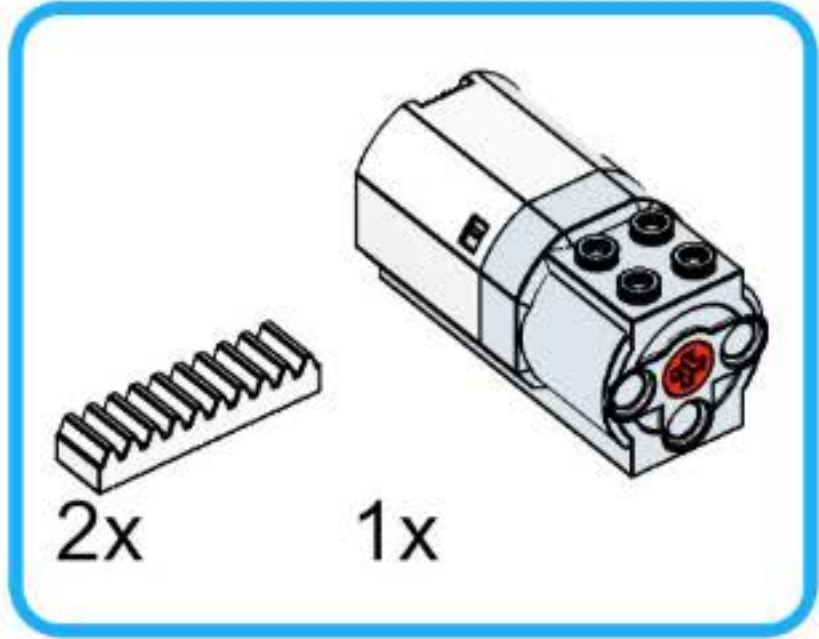
2x 1x 1x 1x 1x





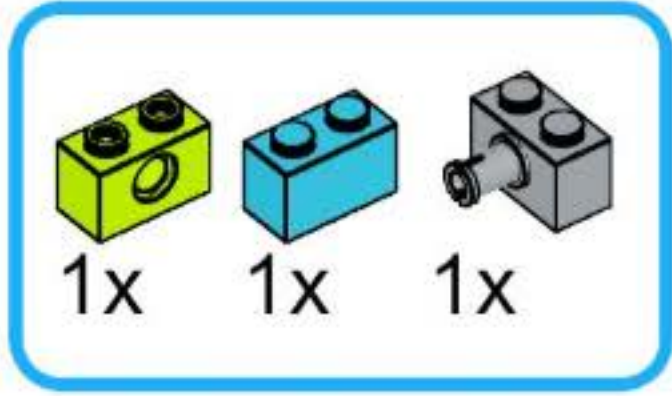


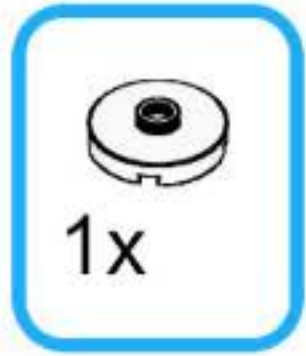




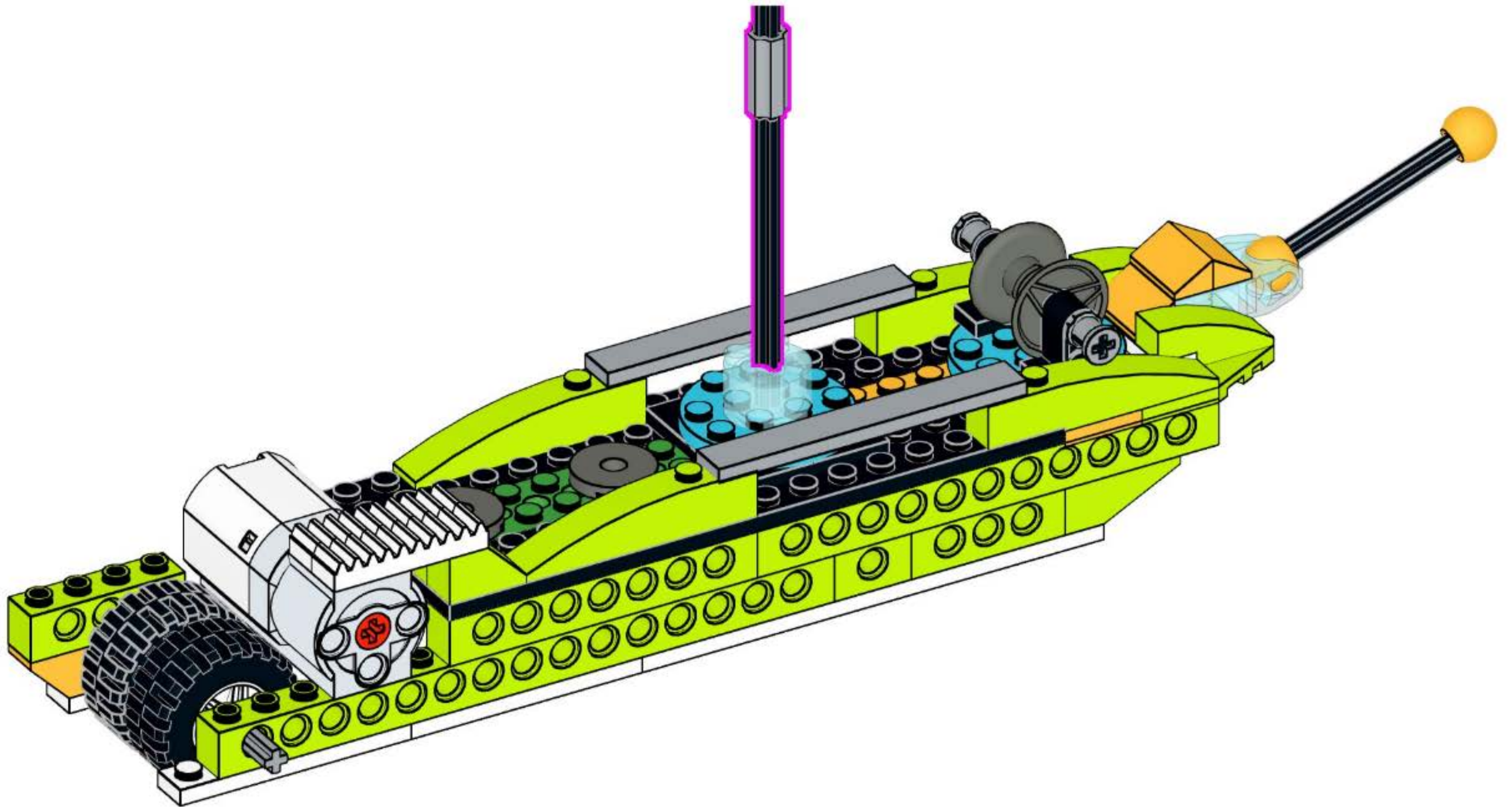


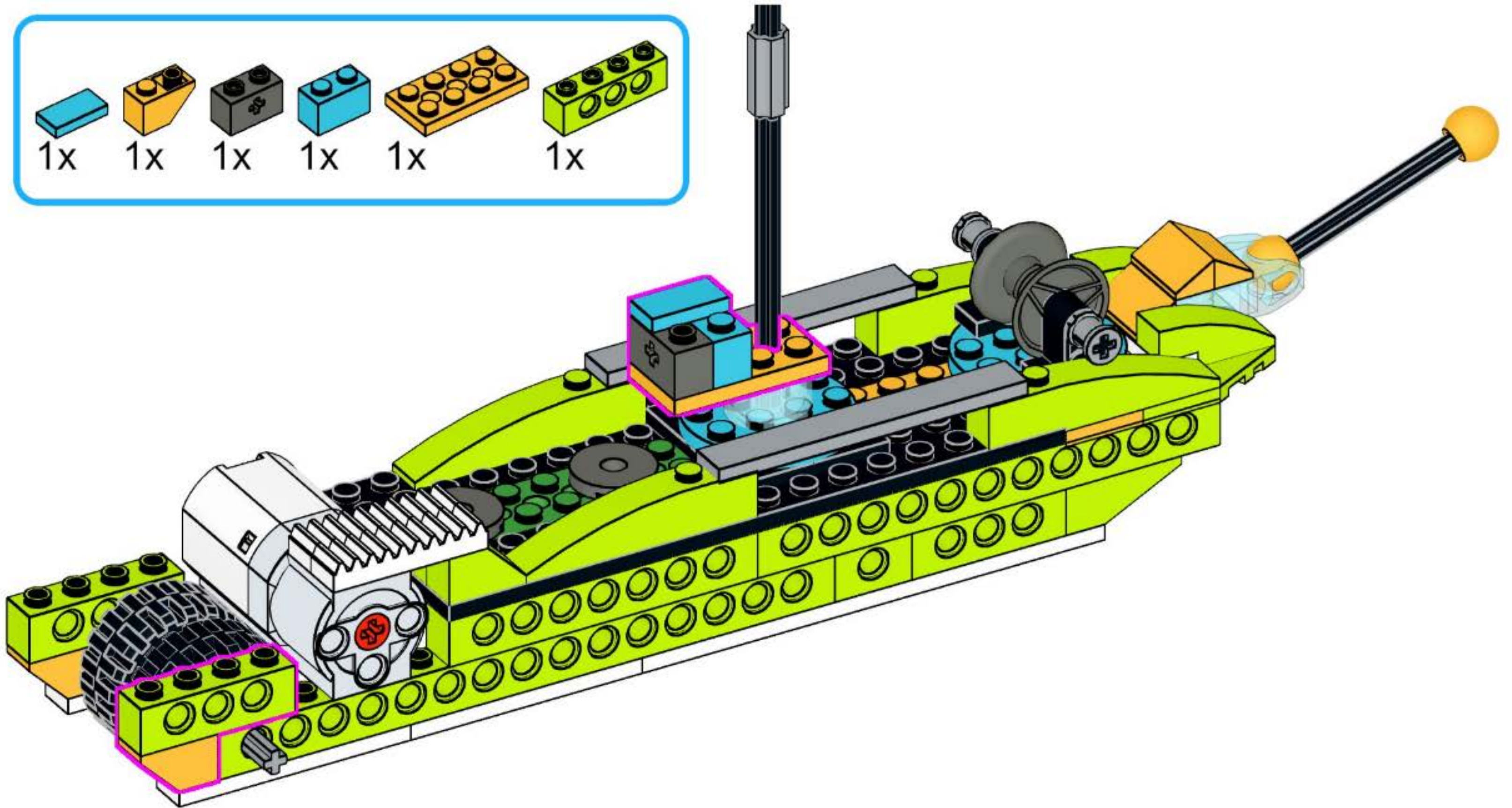
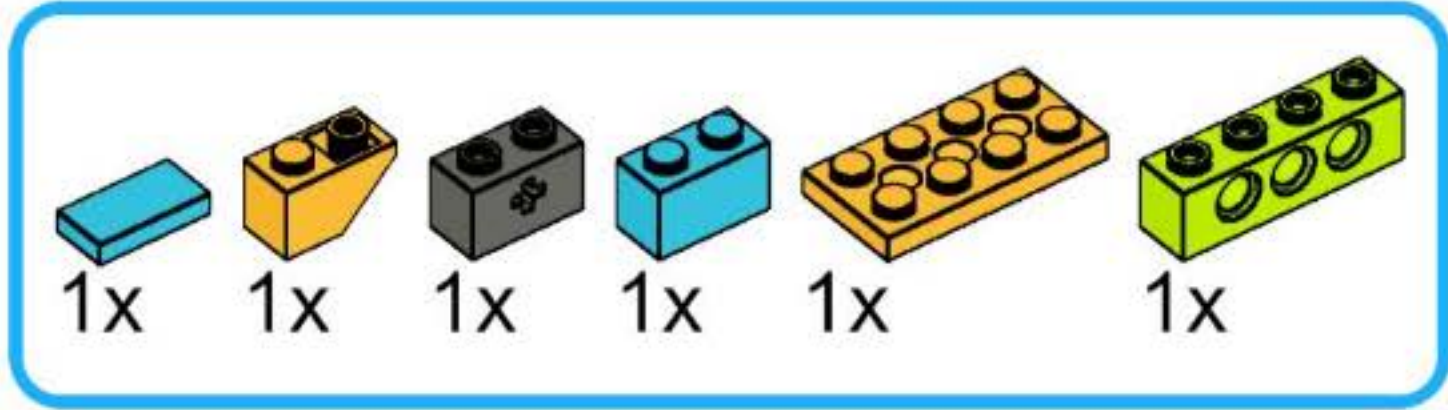


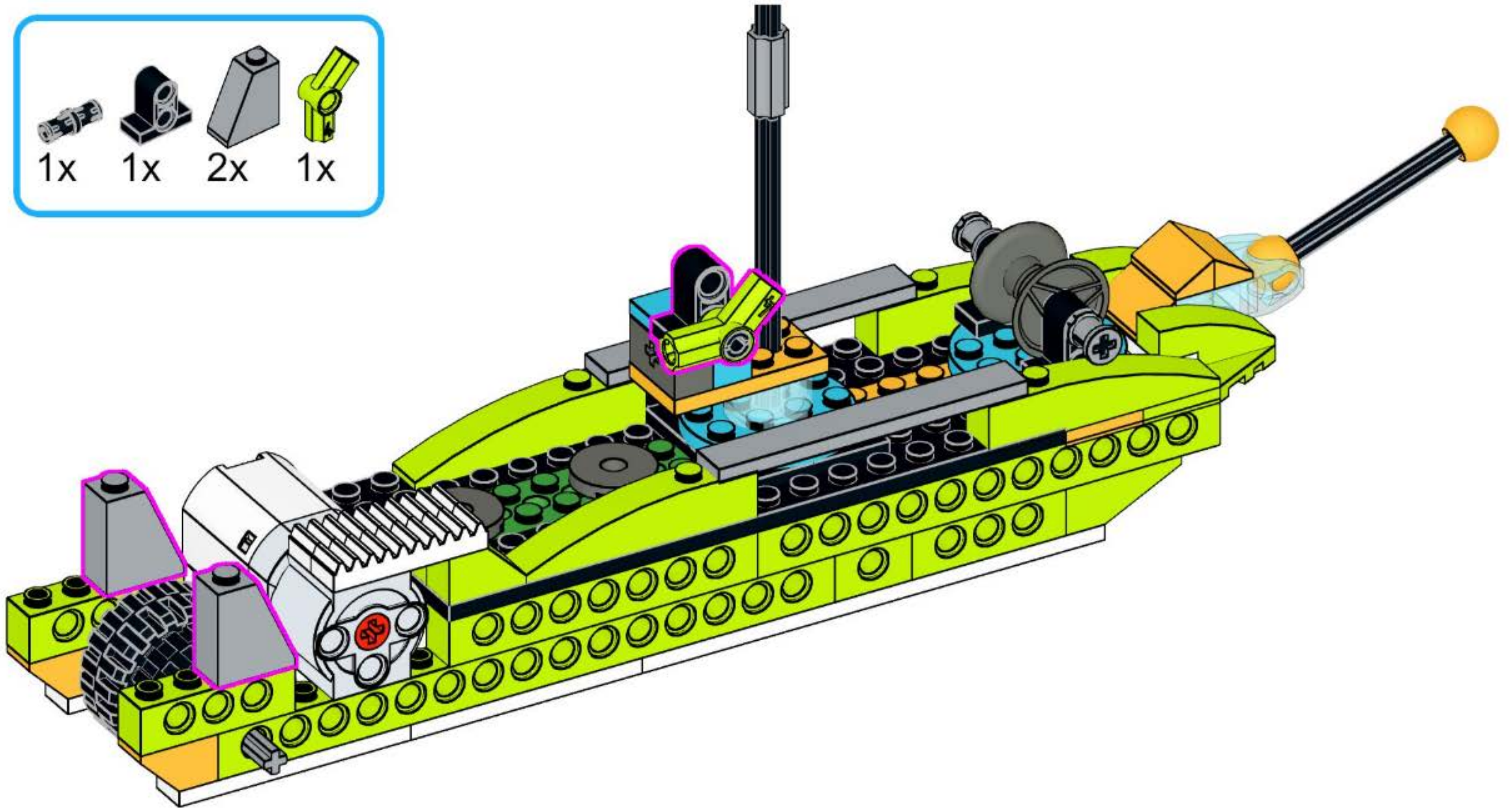
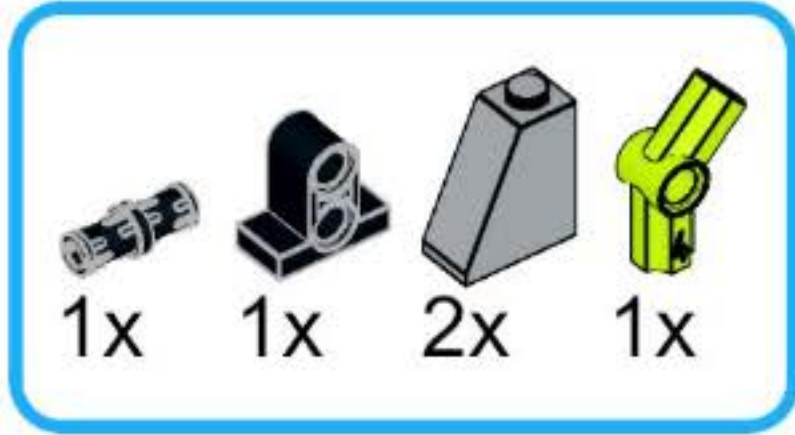


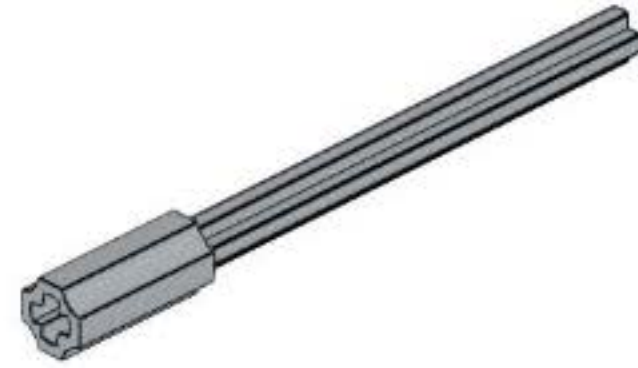
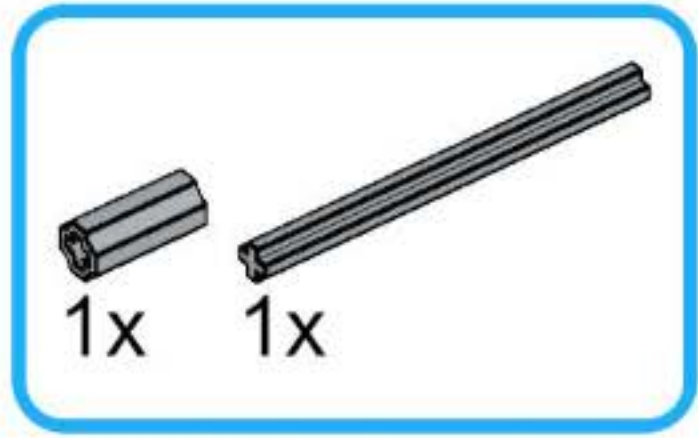


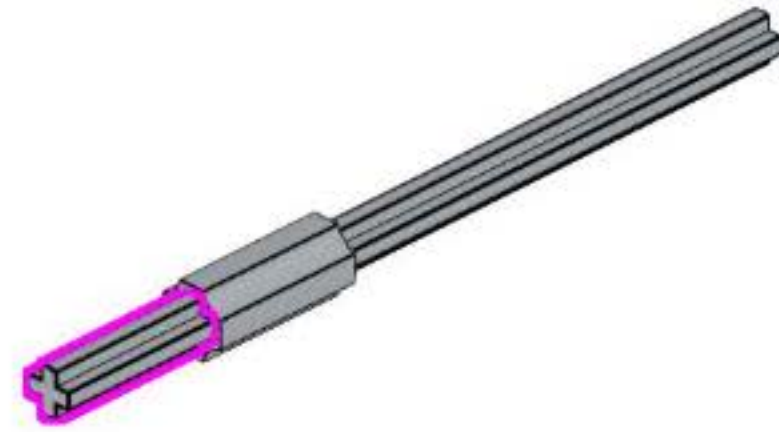


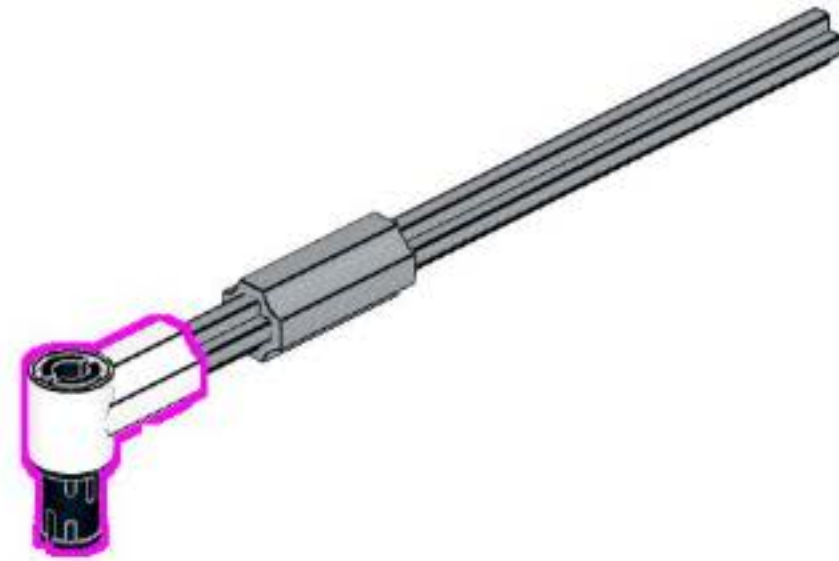


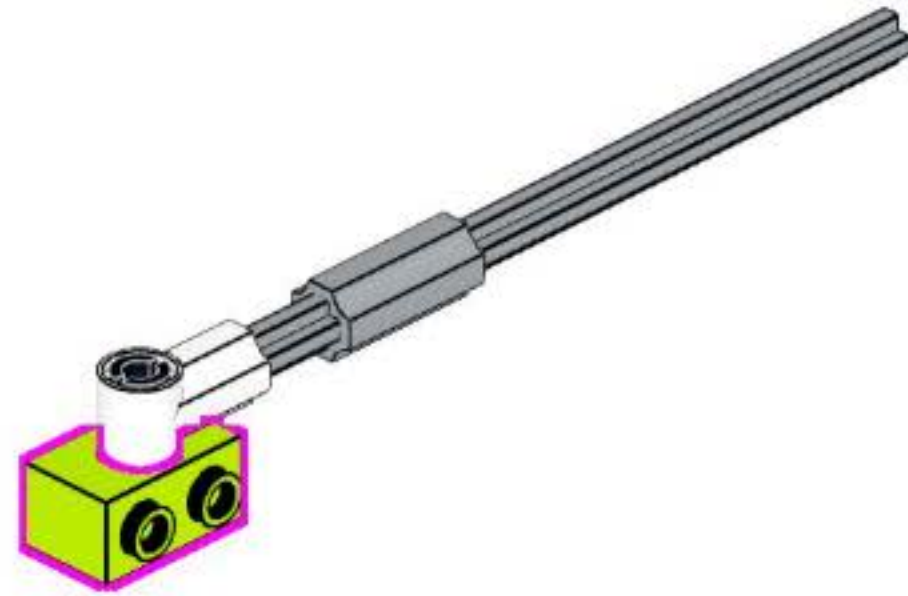
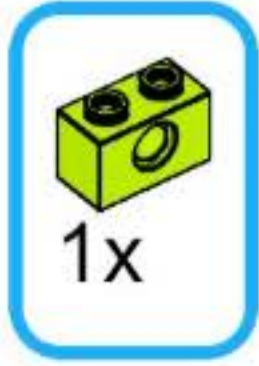


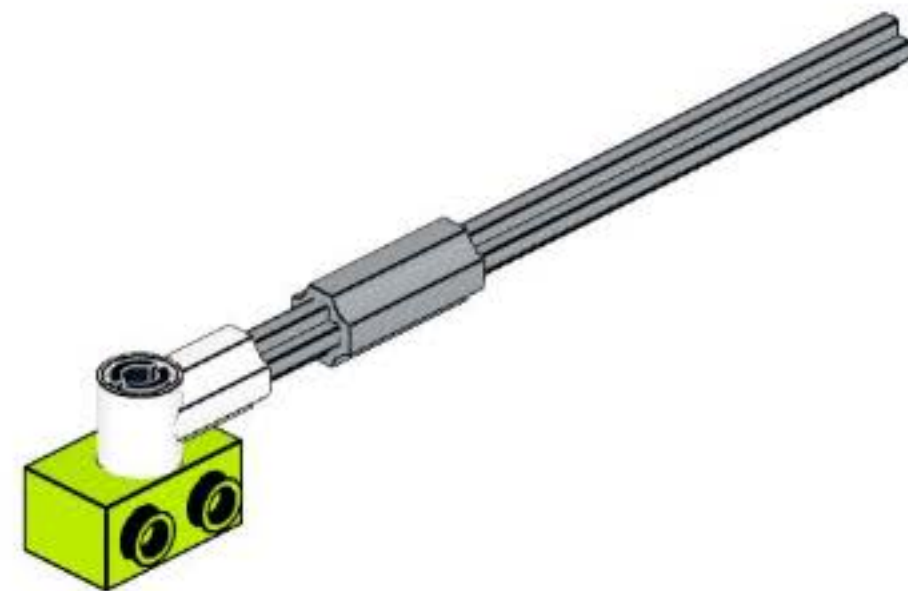


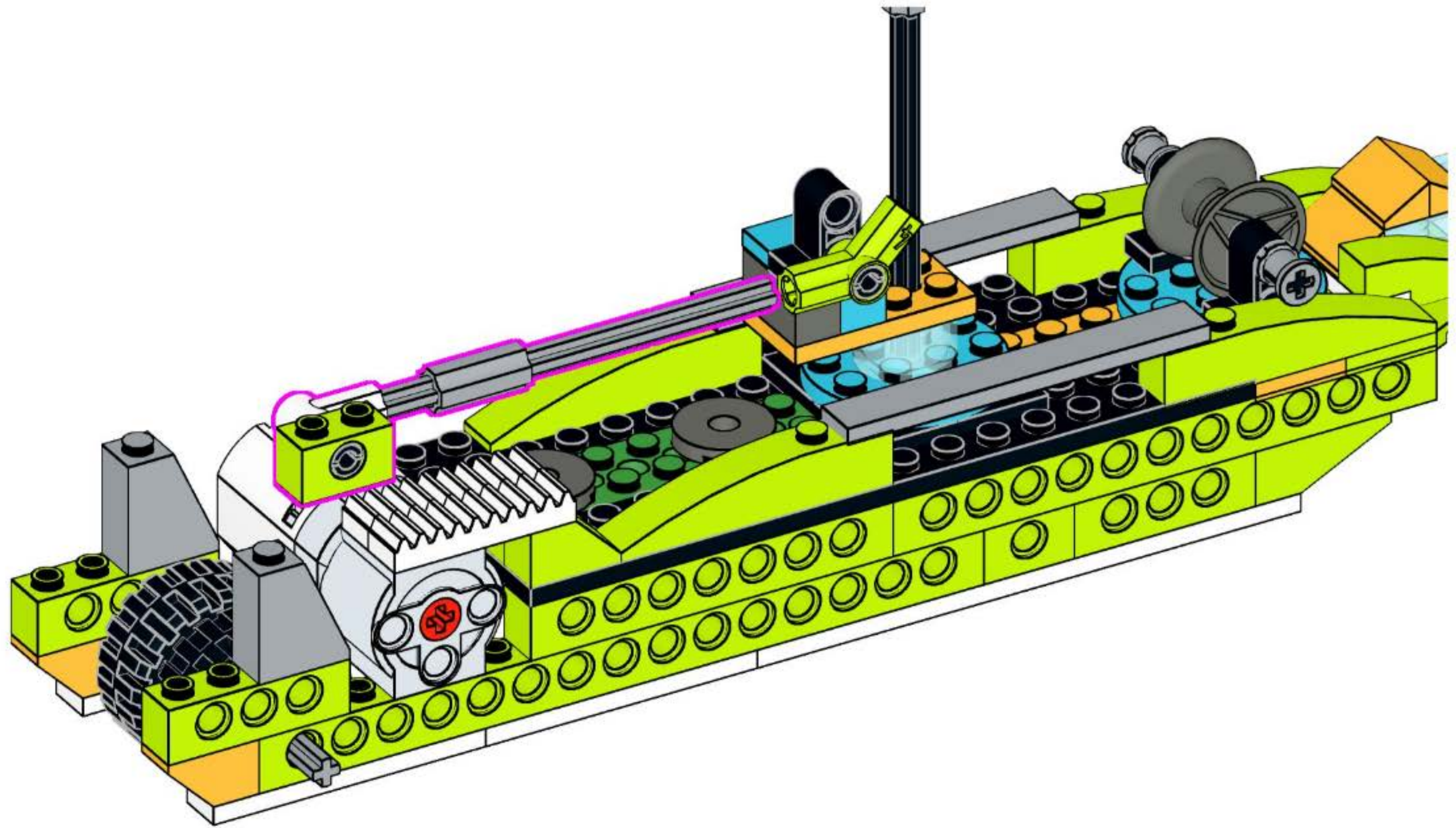


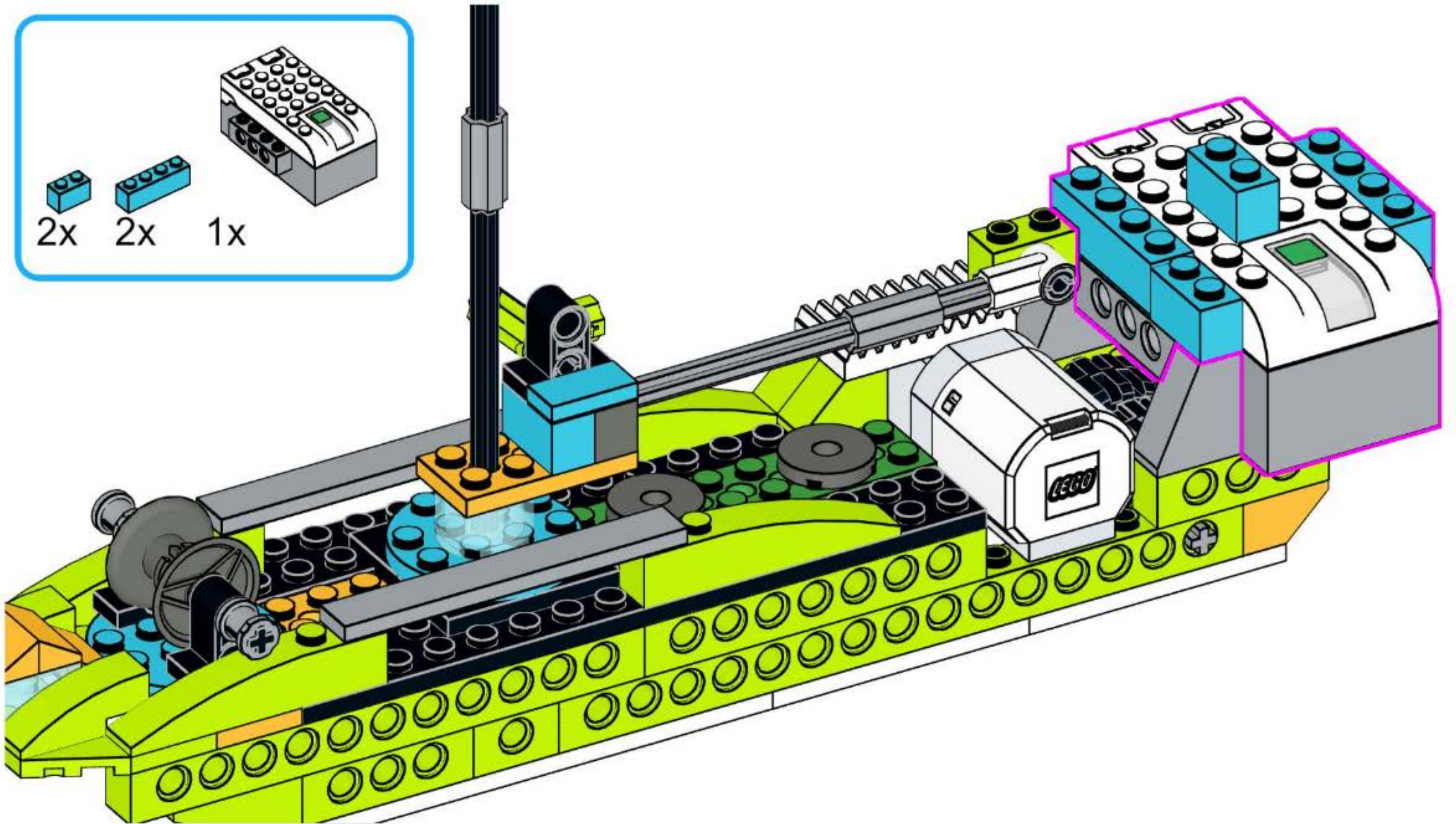
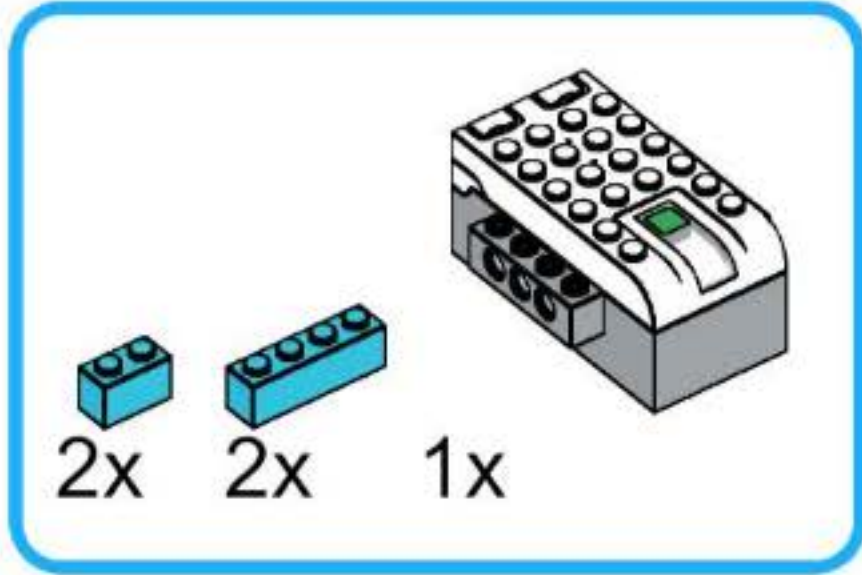


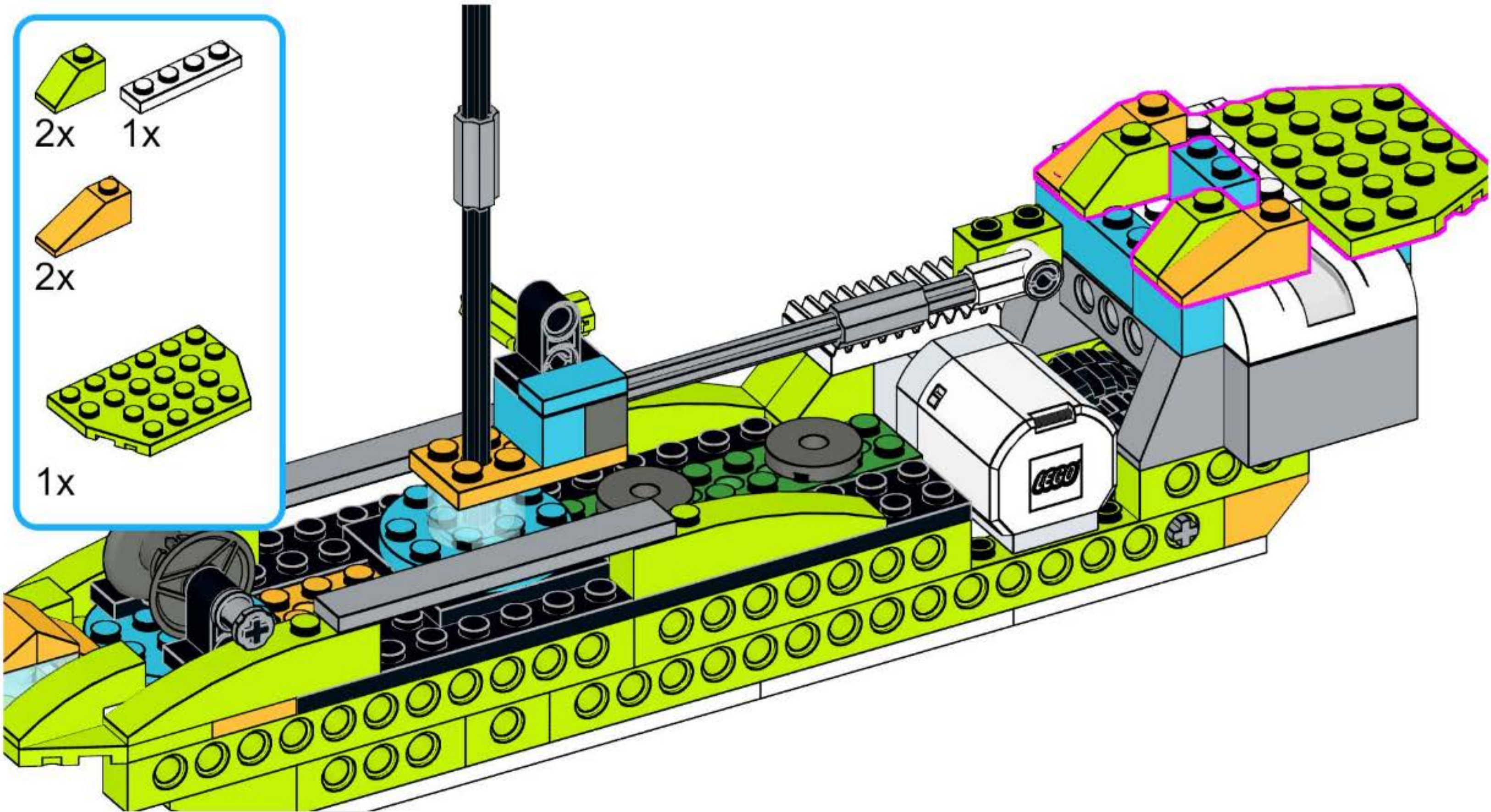
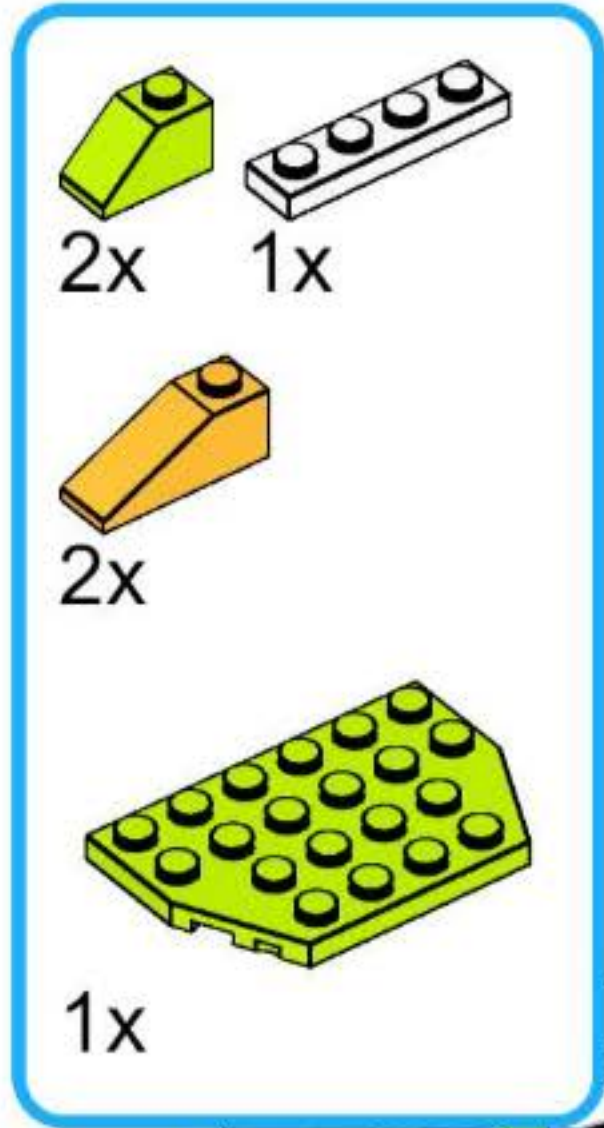


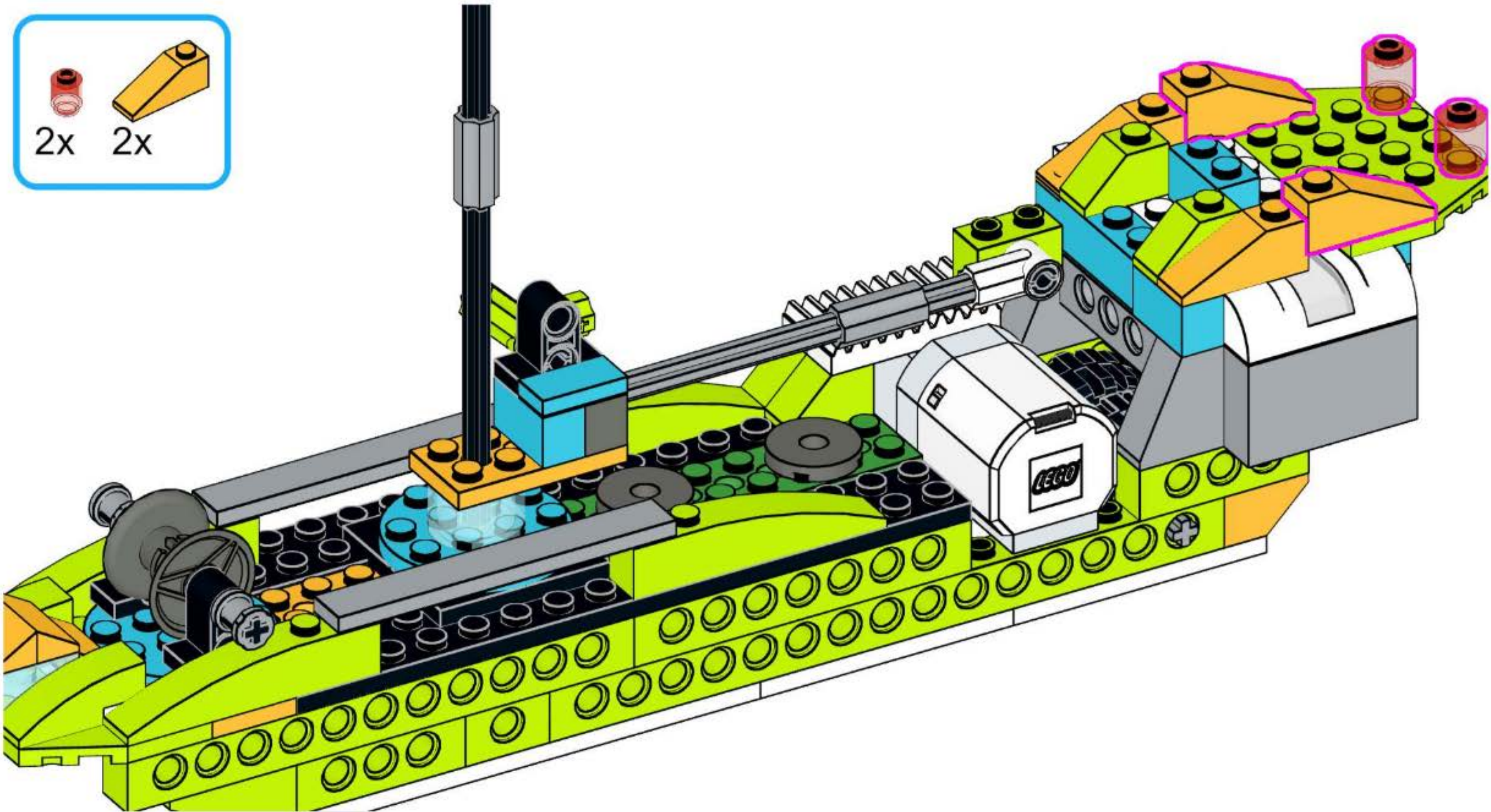
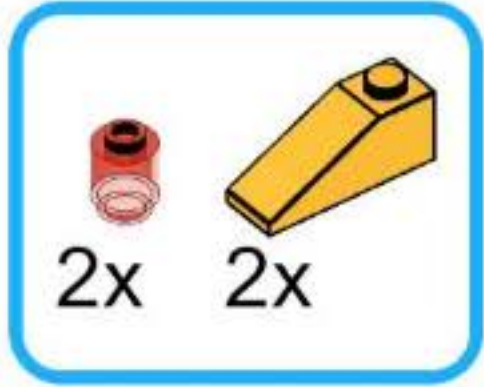




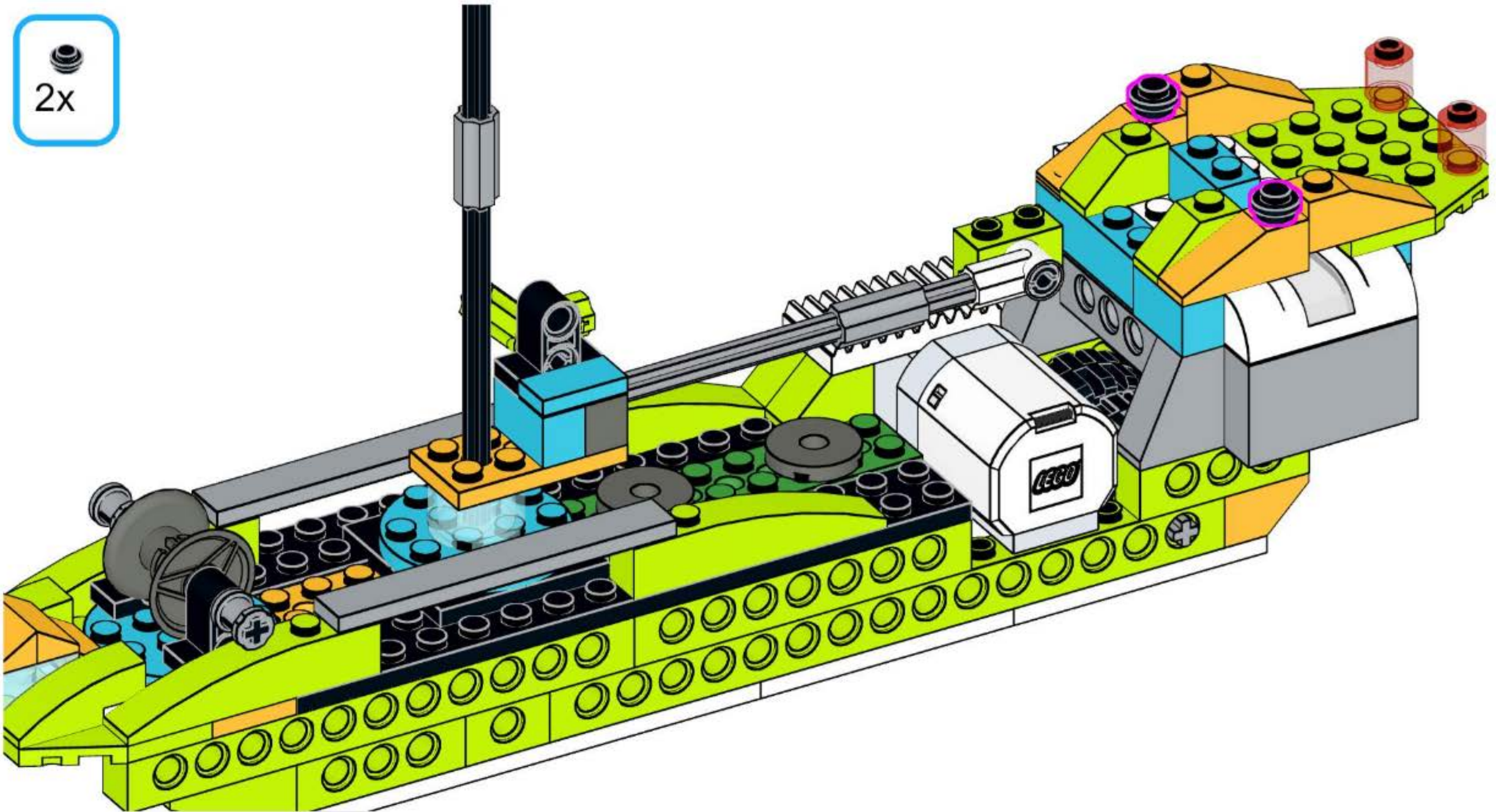


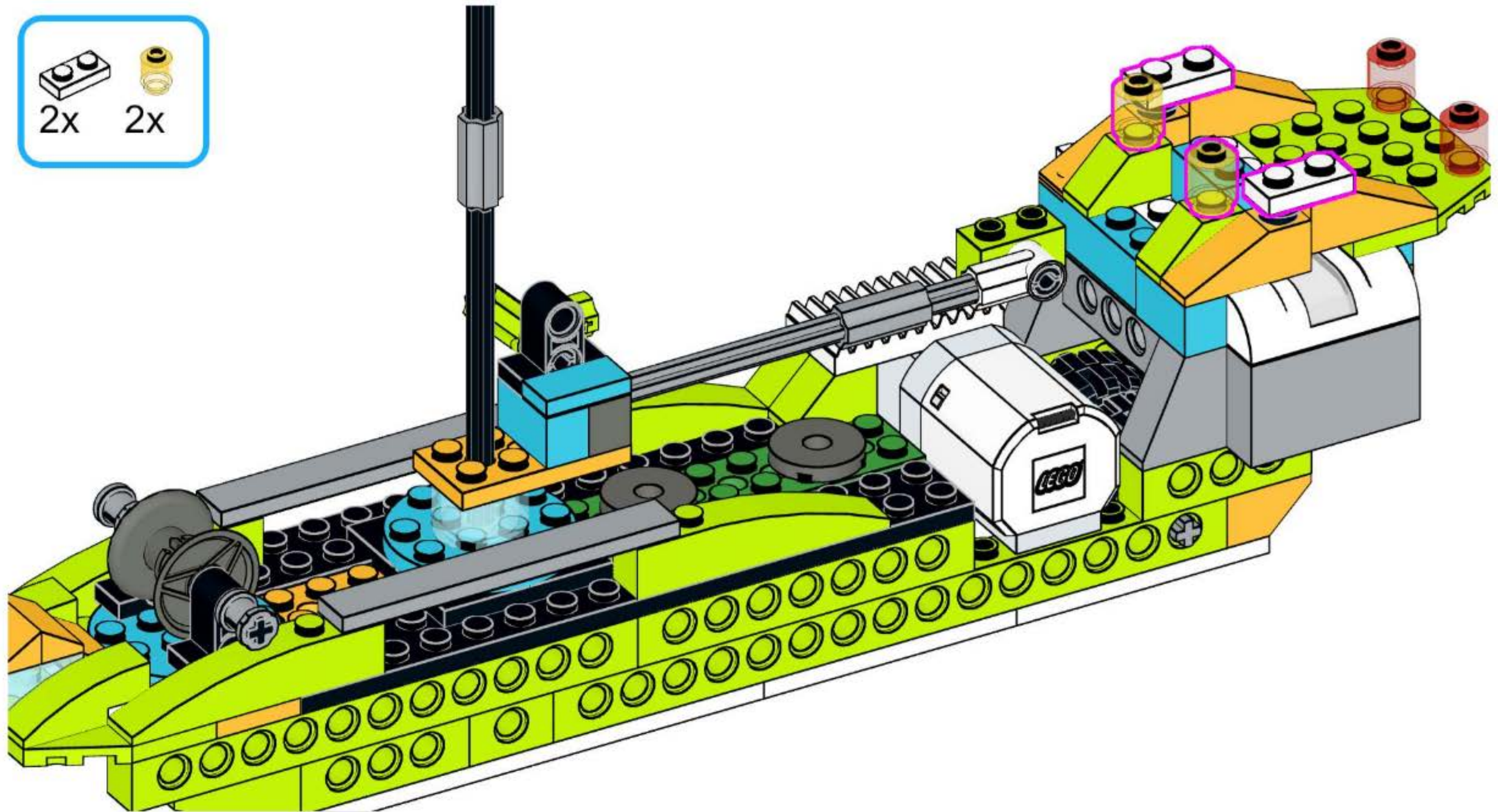
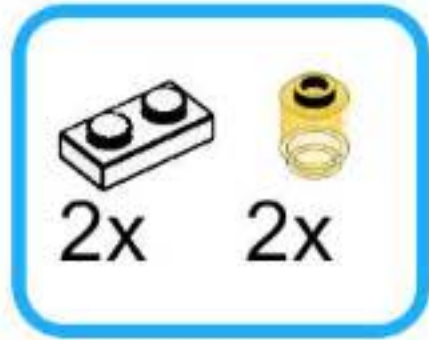


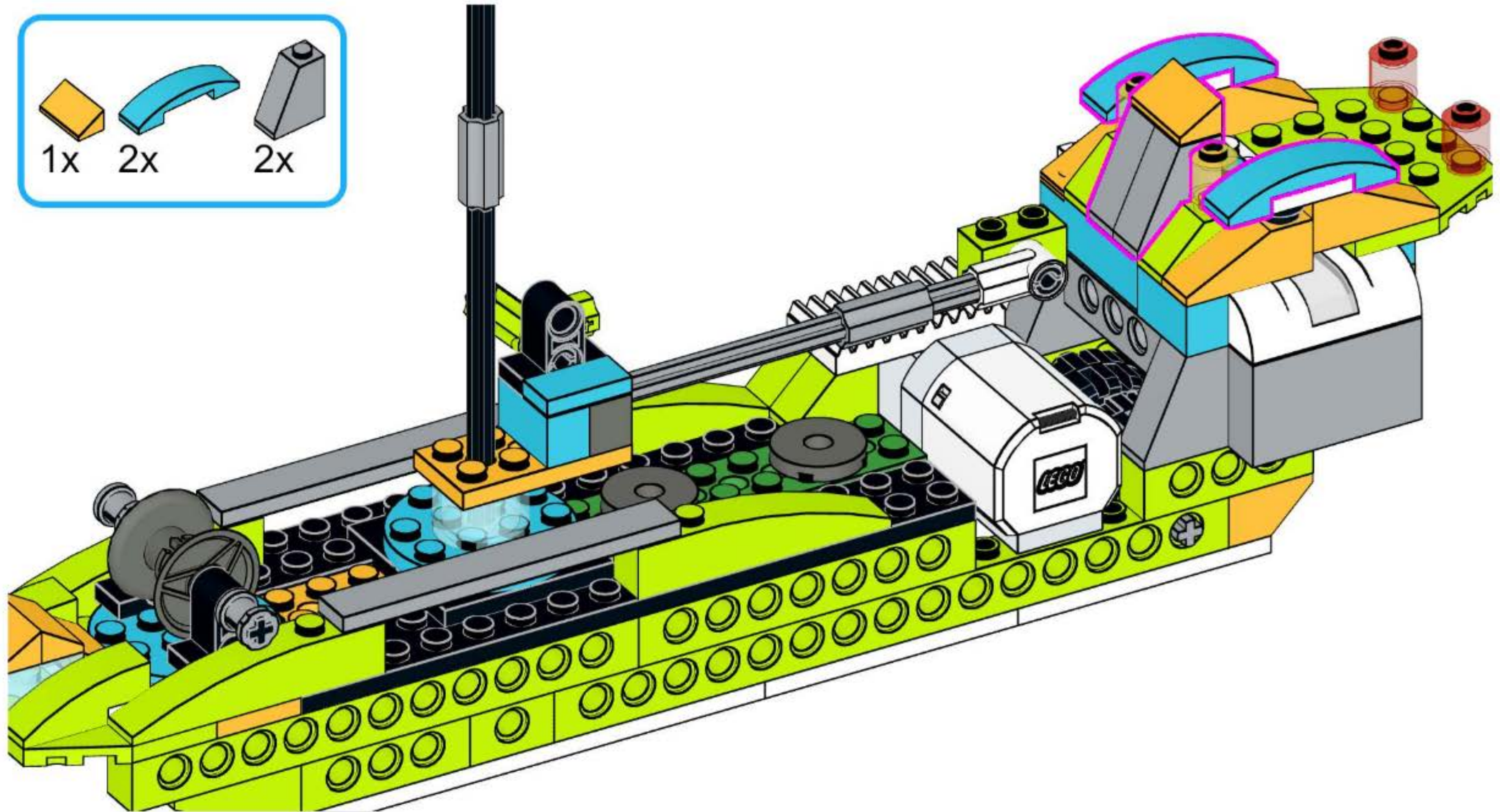
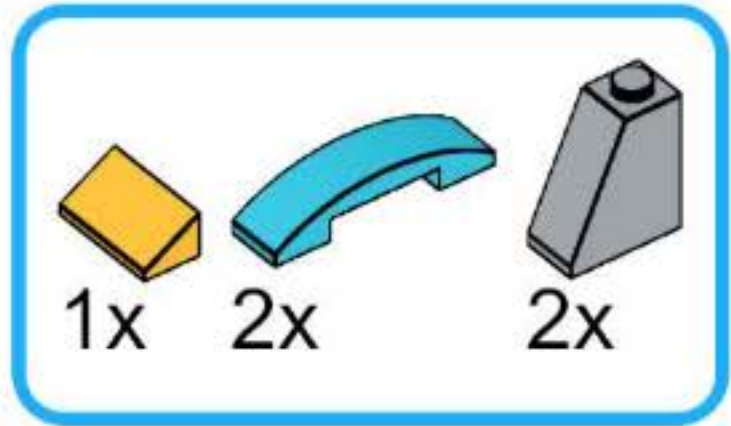


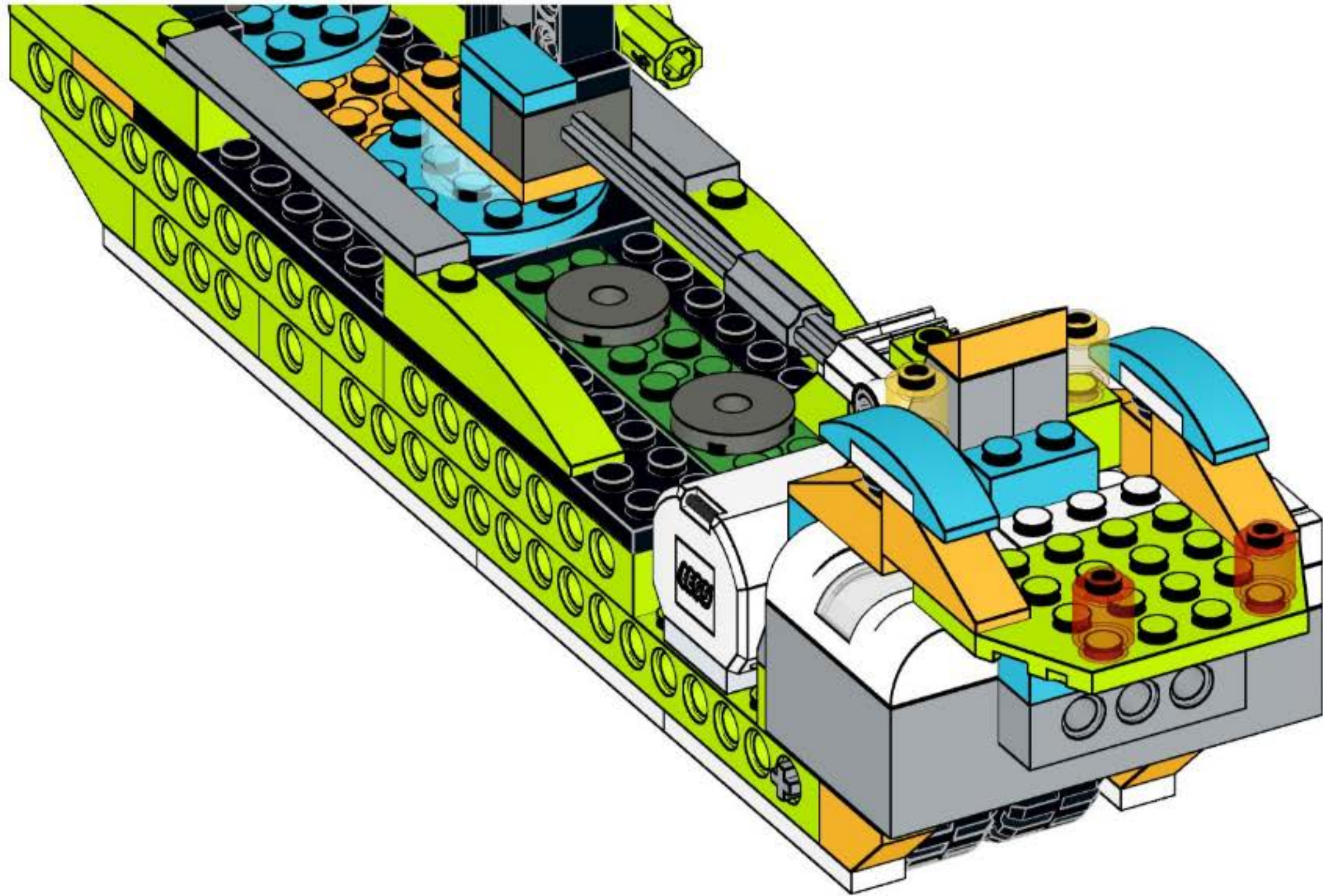


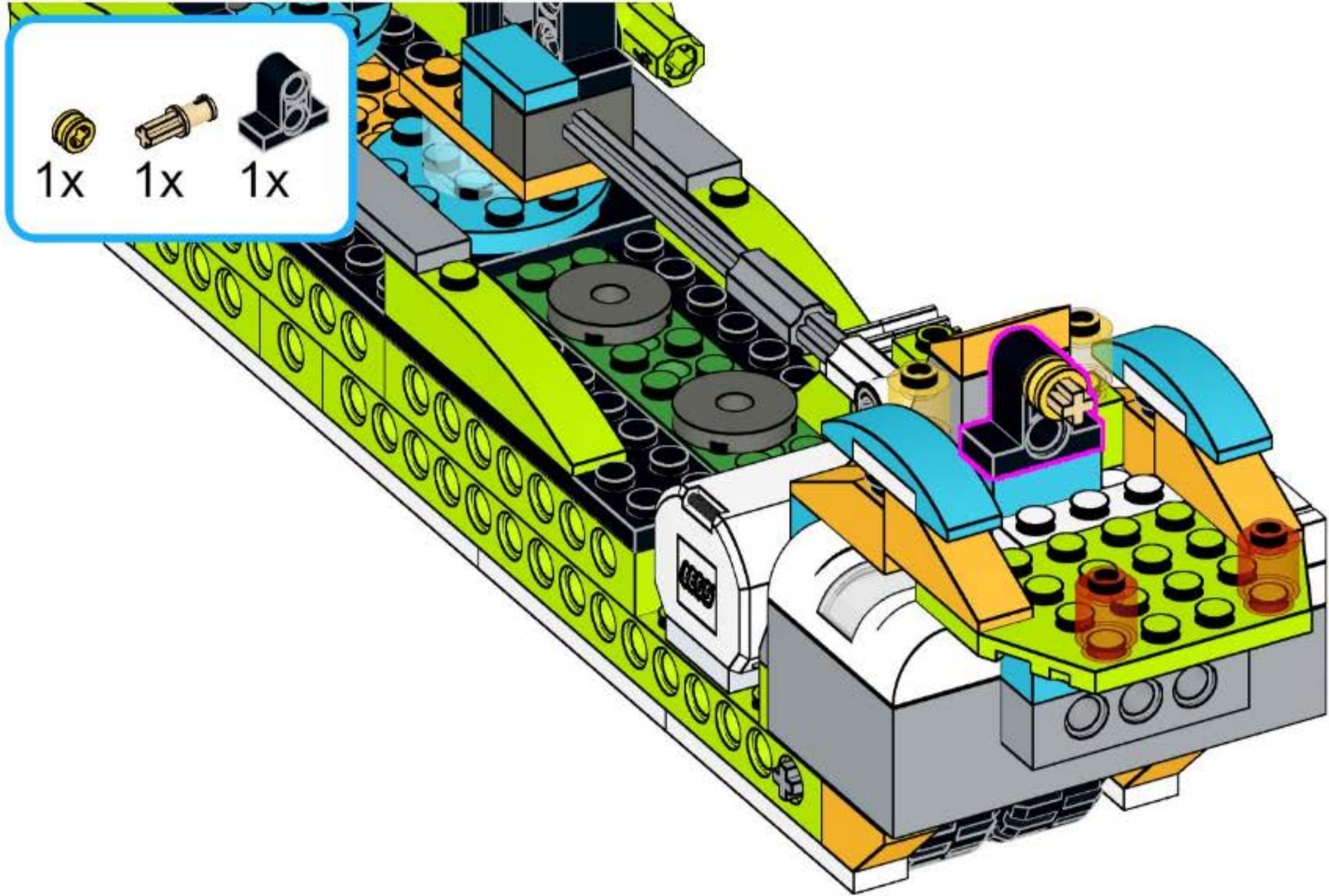
2x

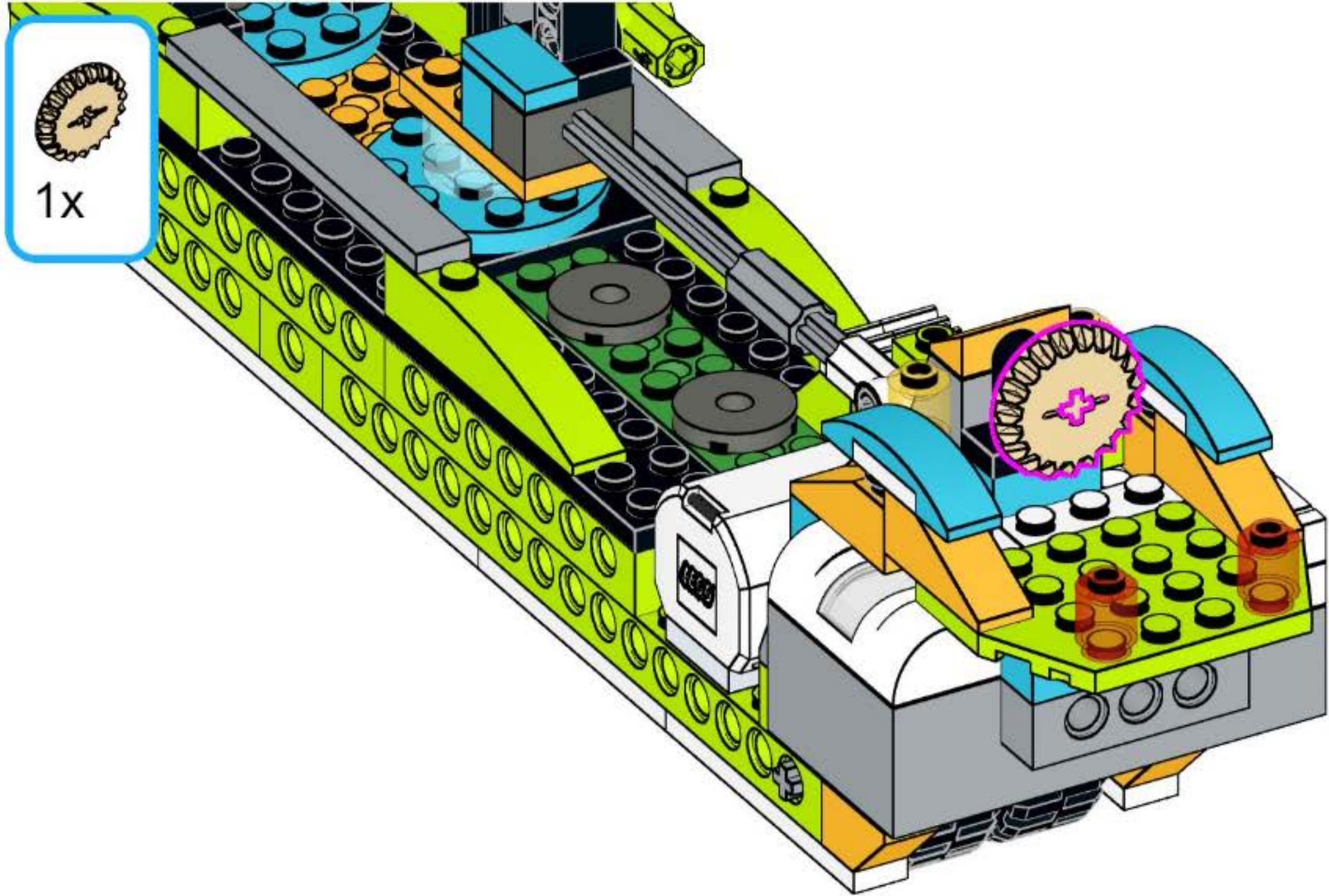




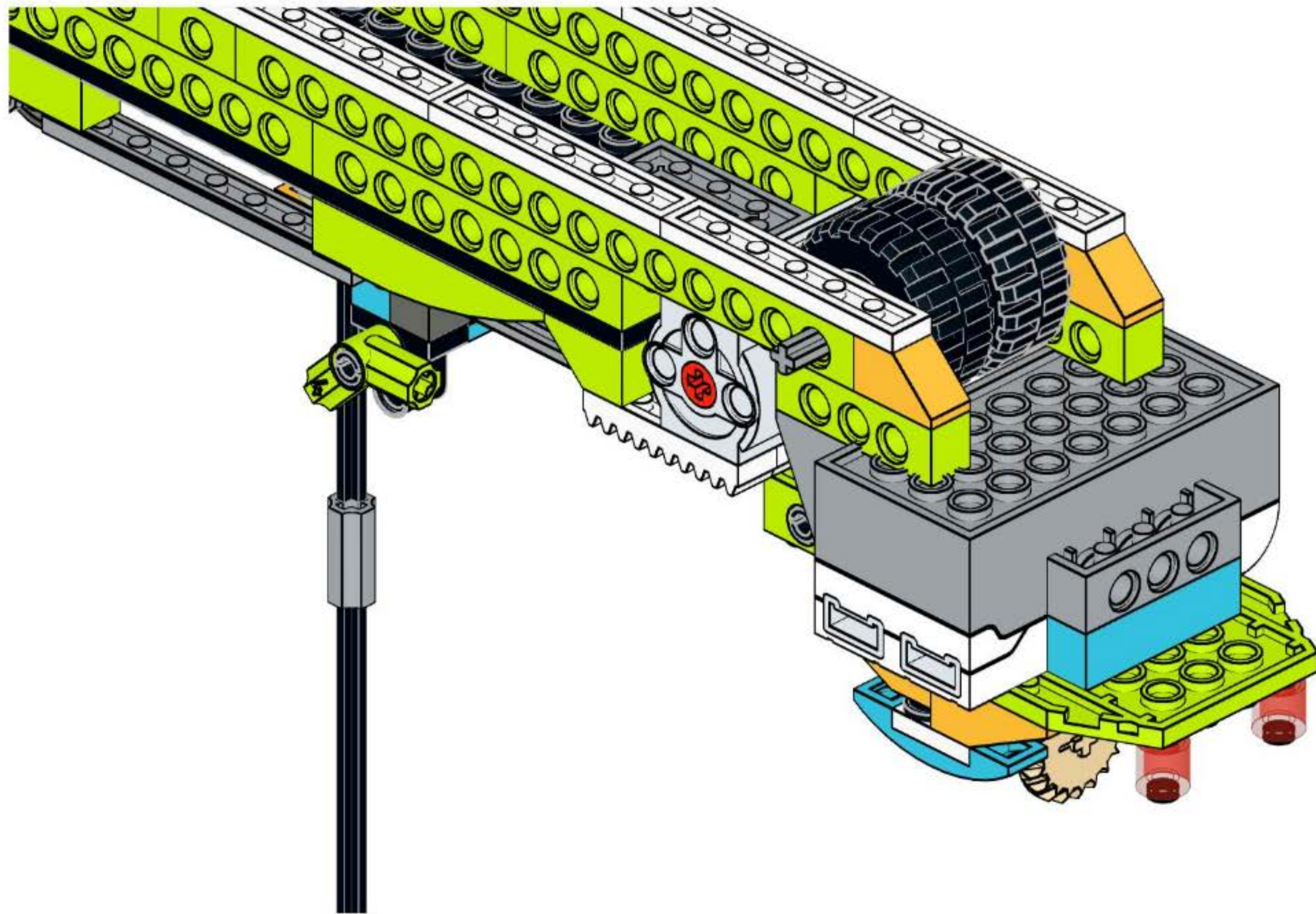






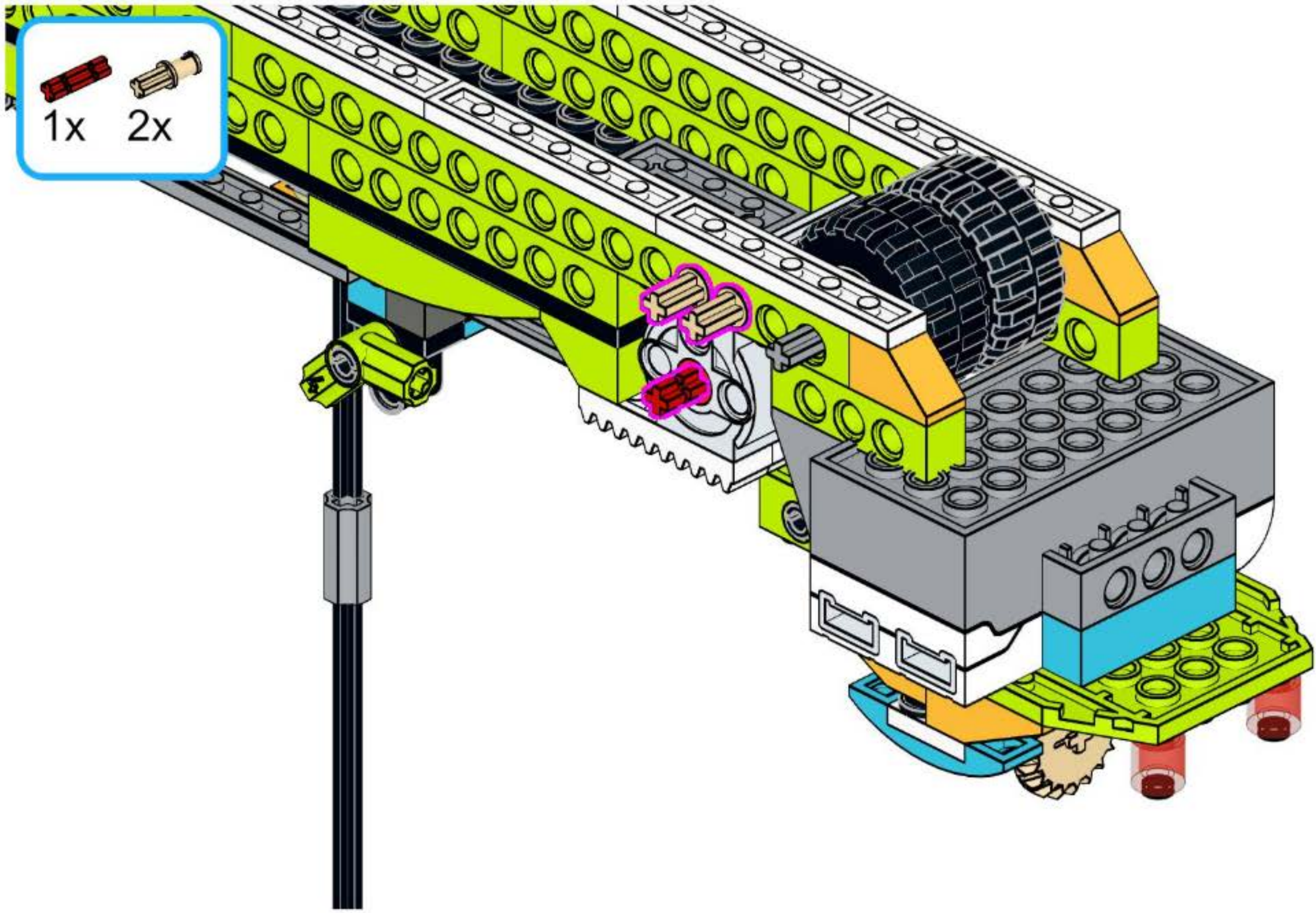


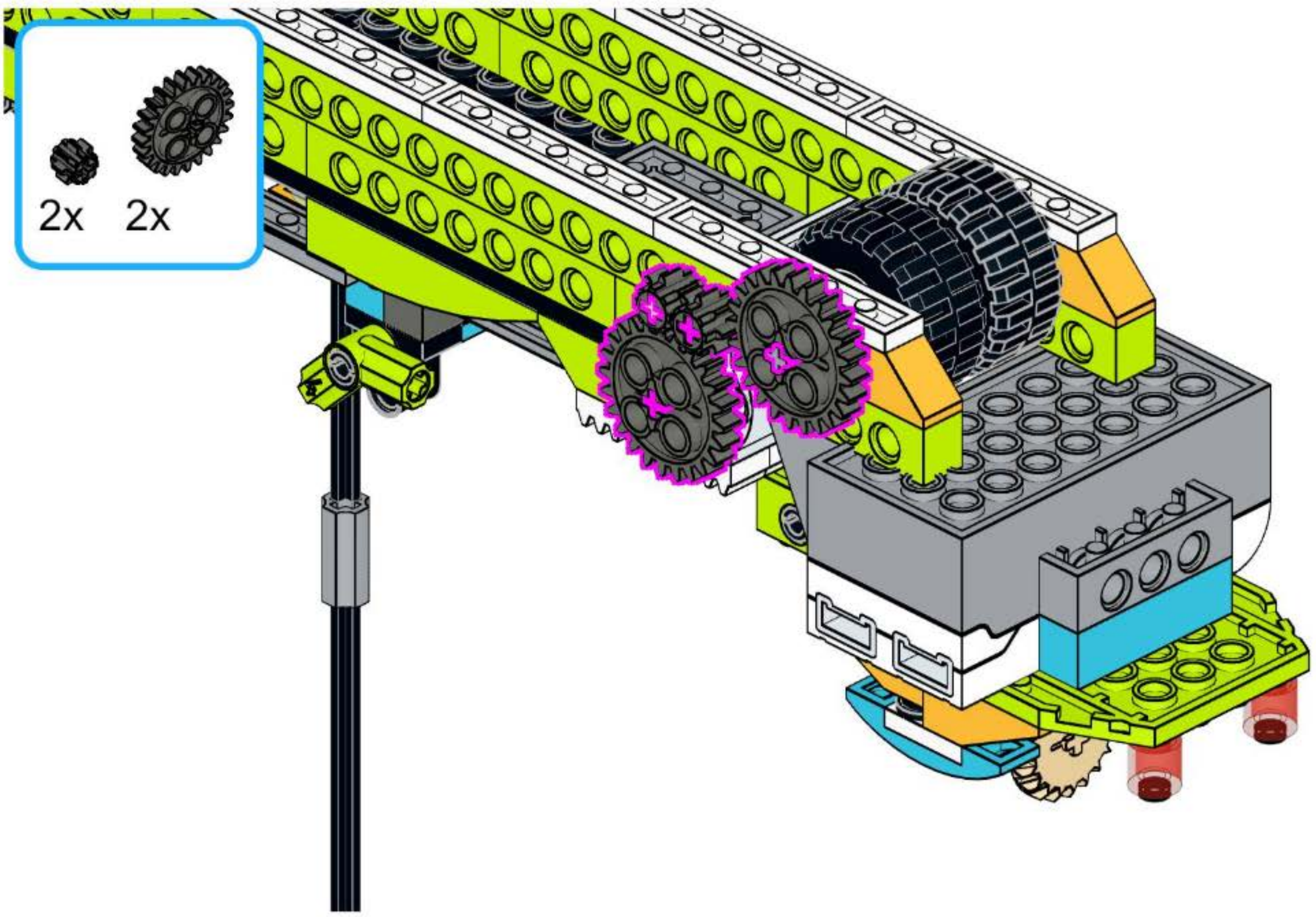


1x

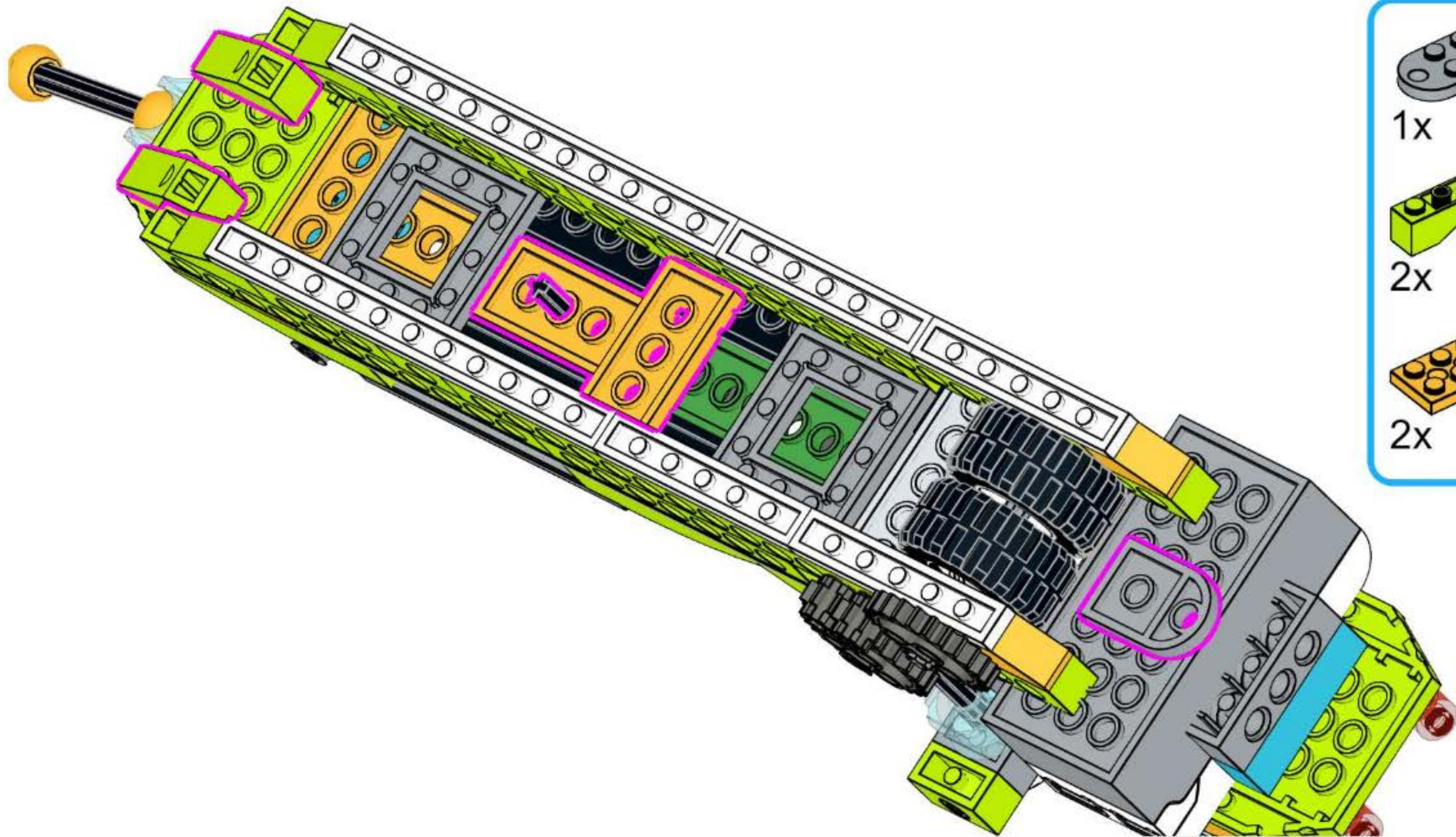





- 1x 
- 2x 





2x 2x



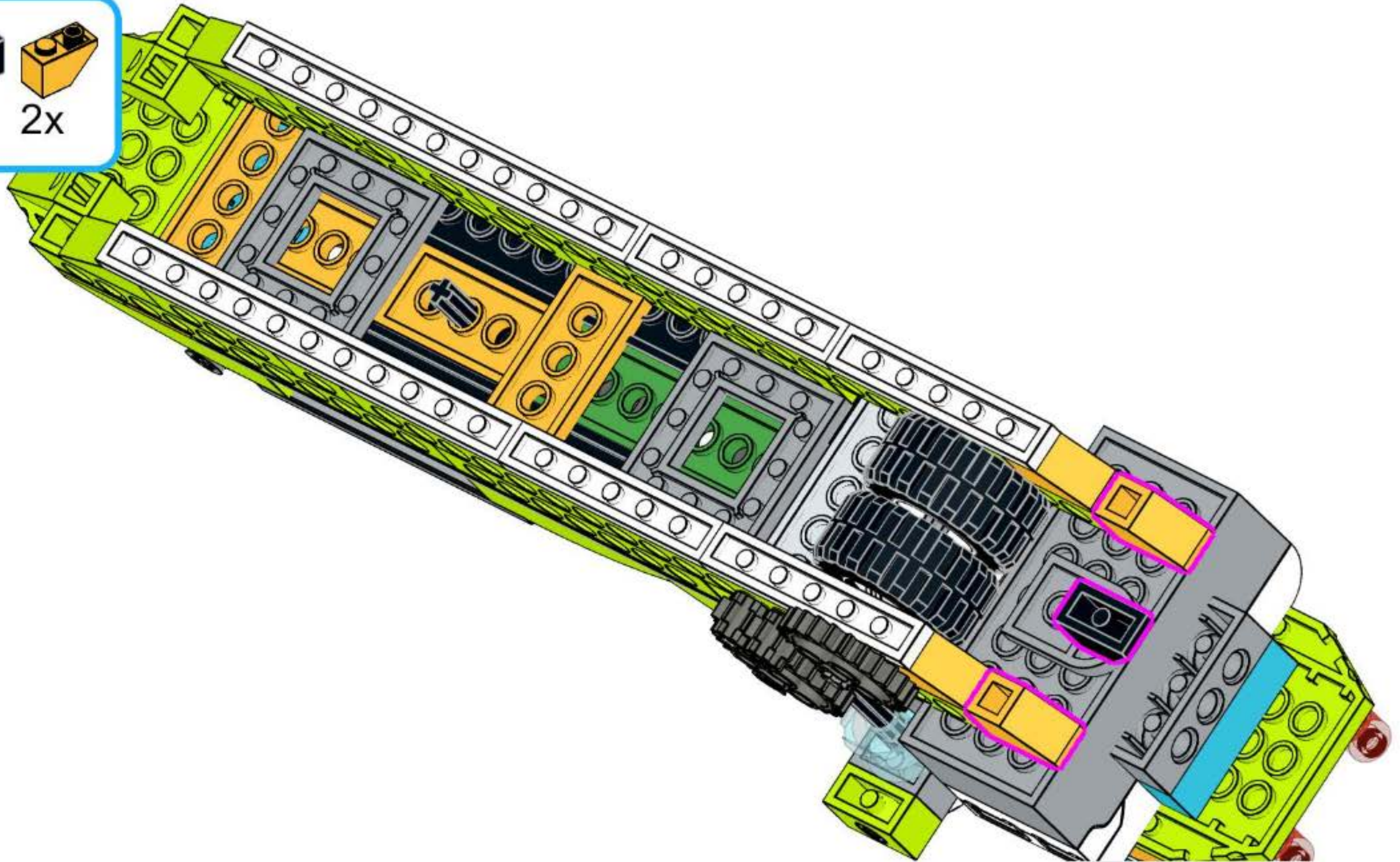
- 
1x
- 
2x
- 
2x



1x

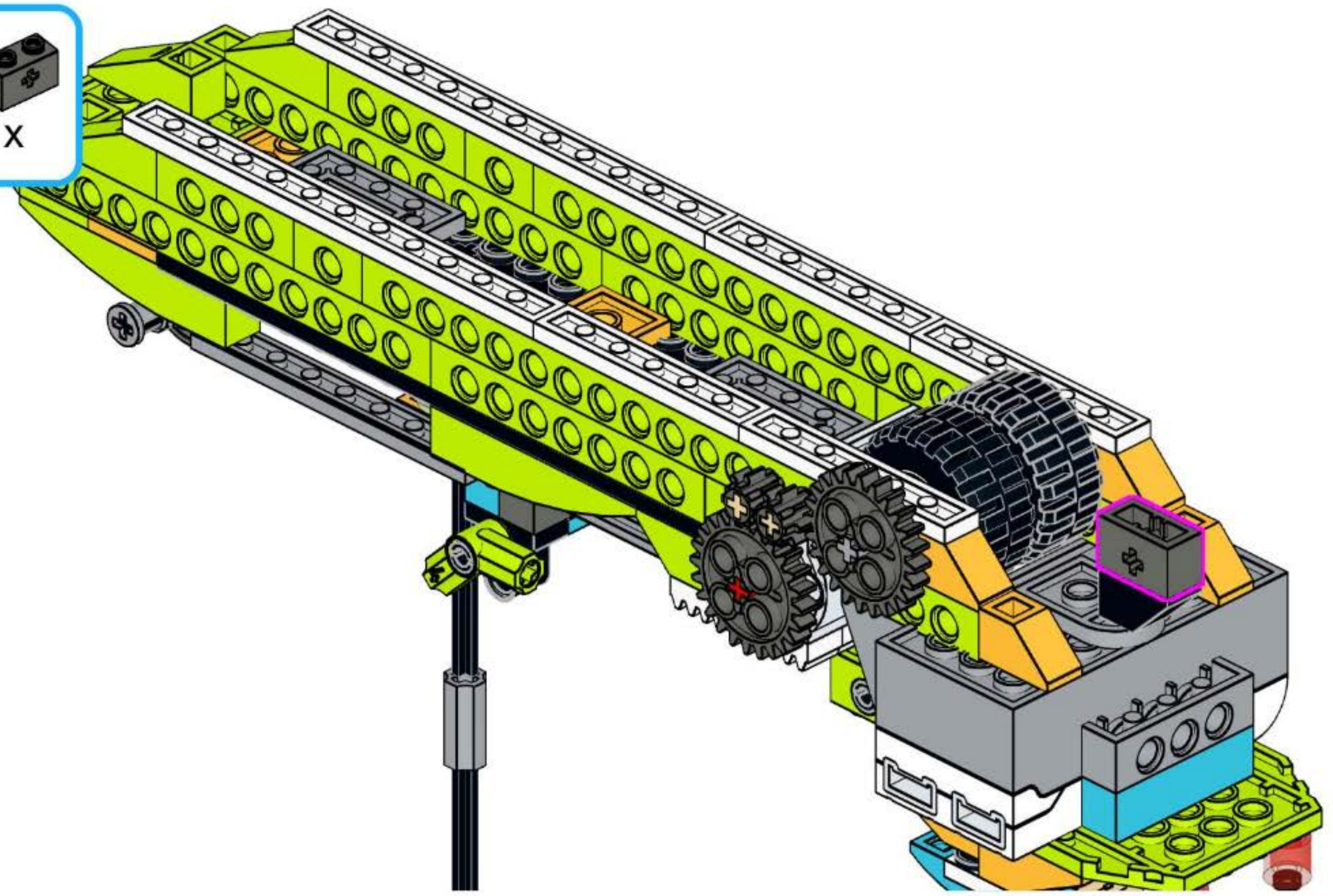
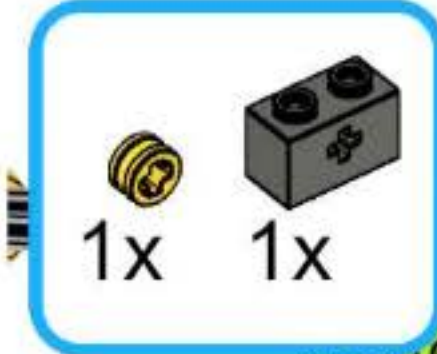


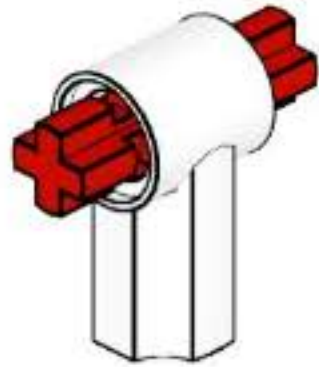
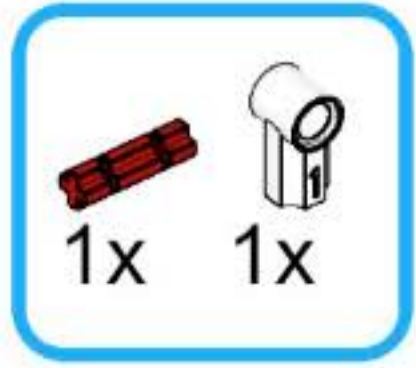
2x

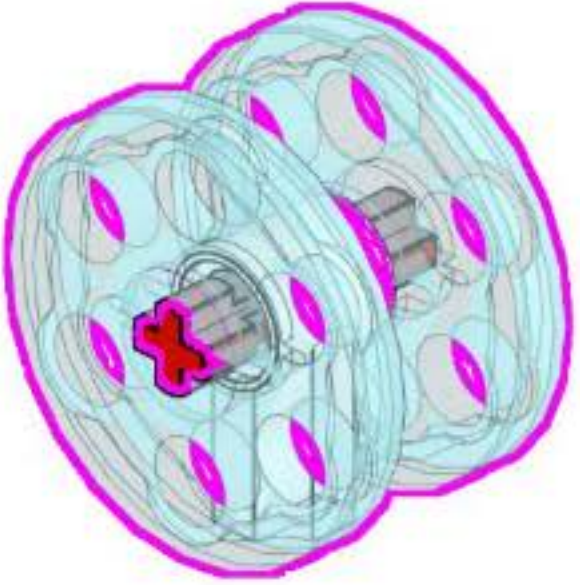


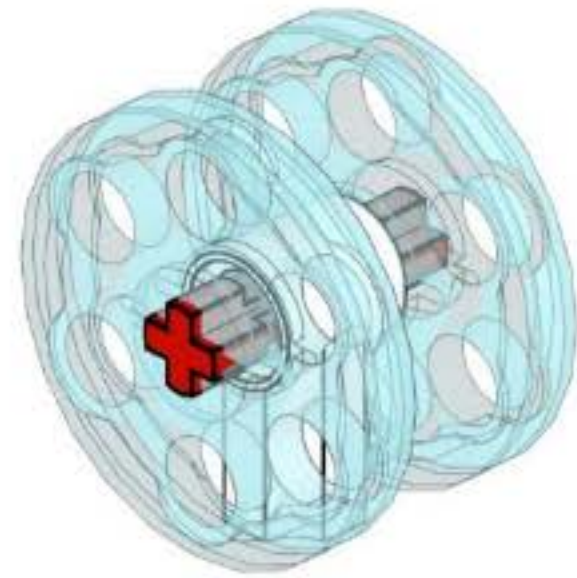
1x 1x

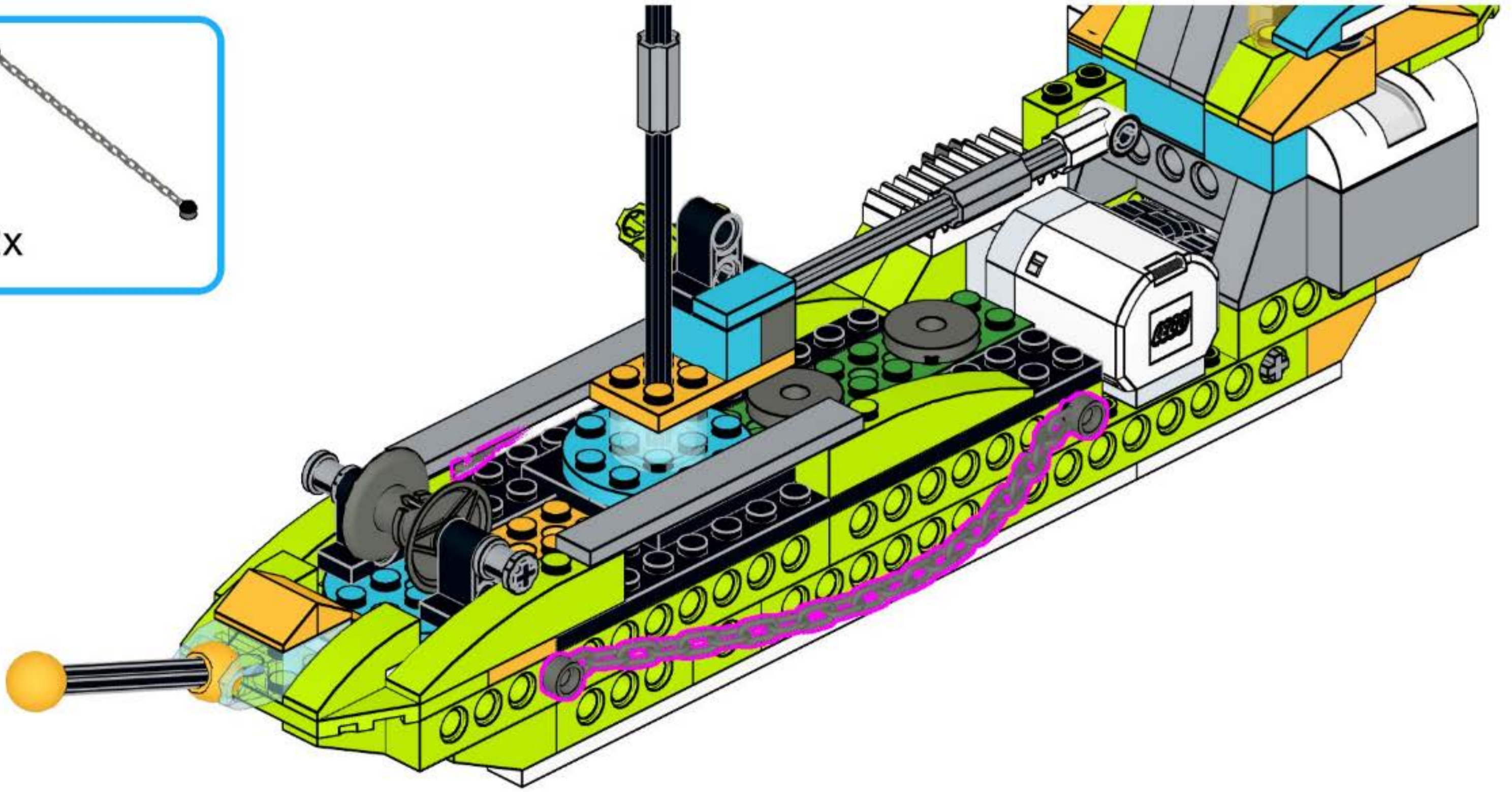
1x 1x

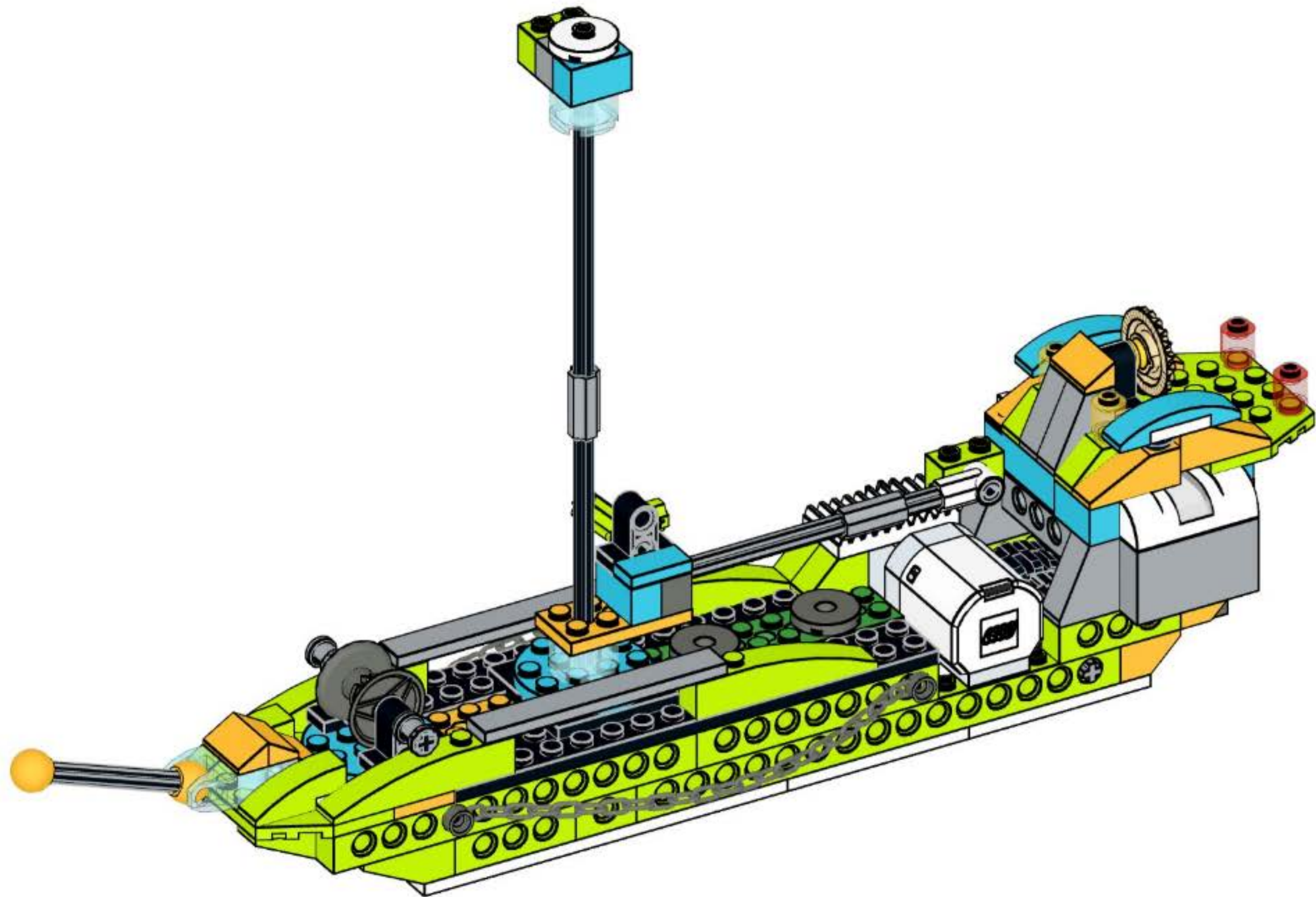


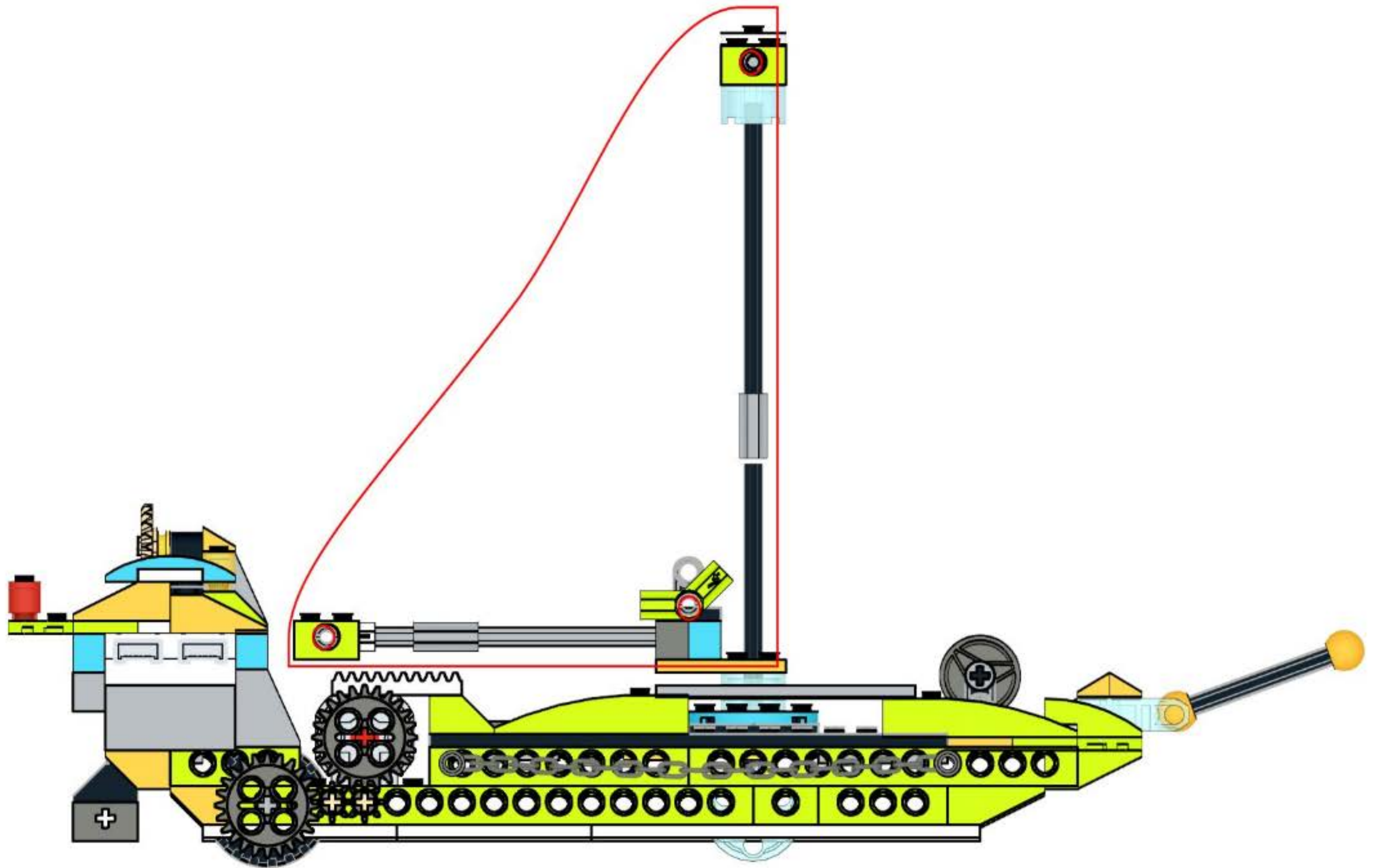


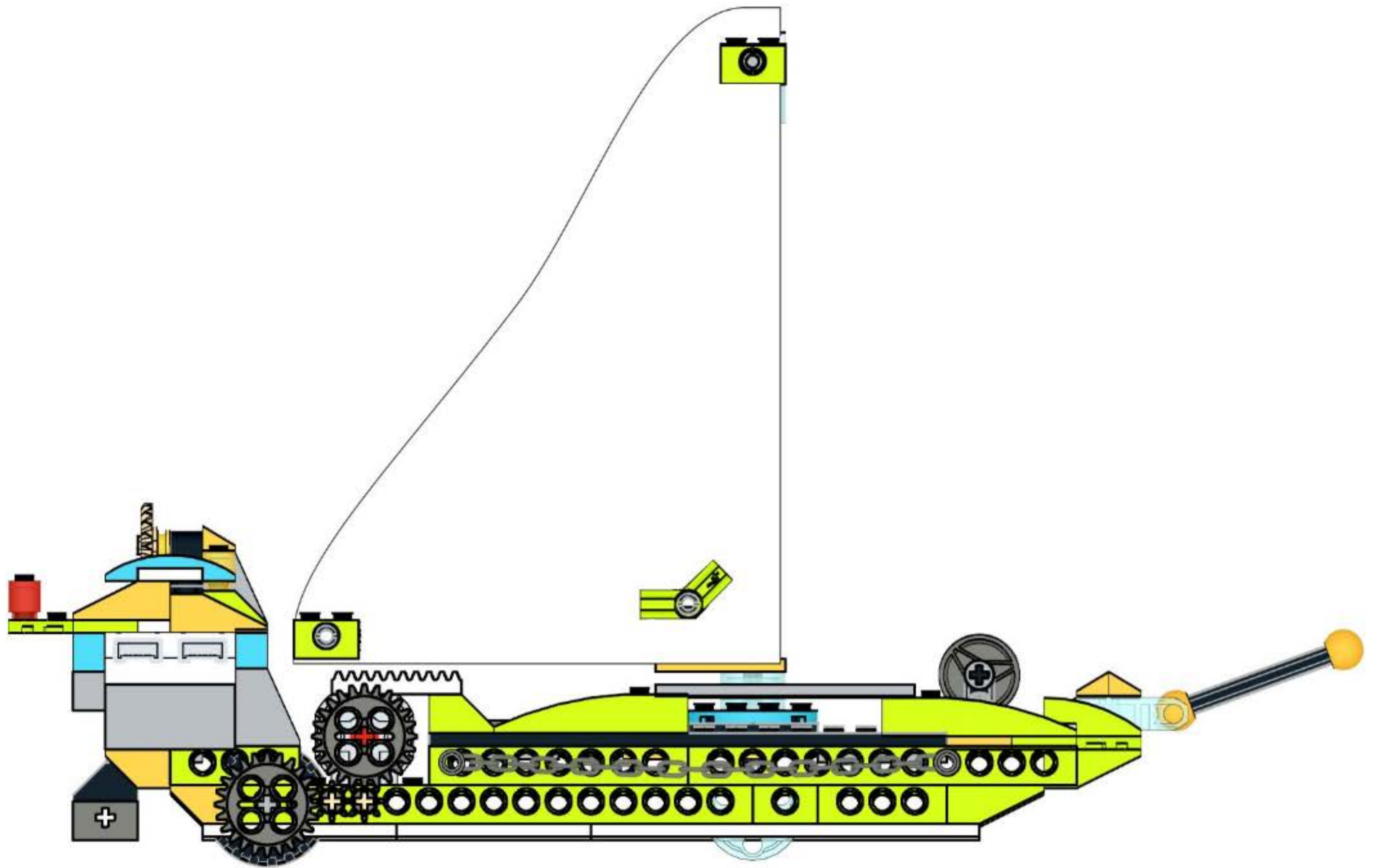


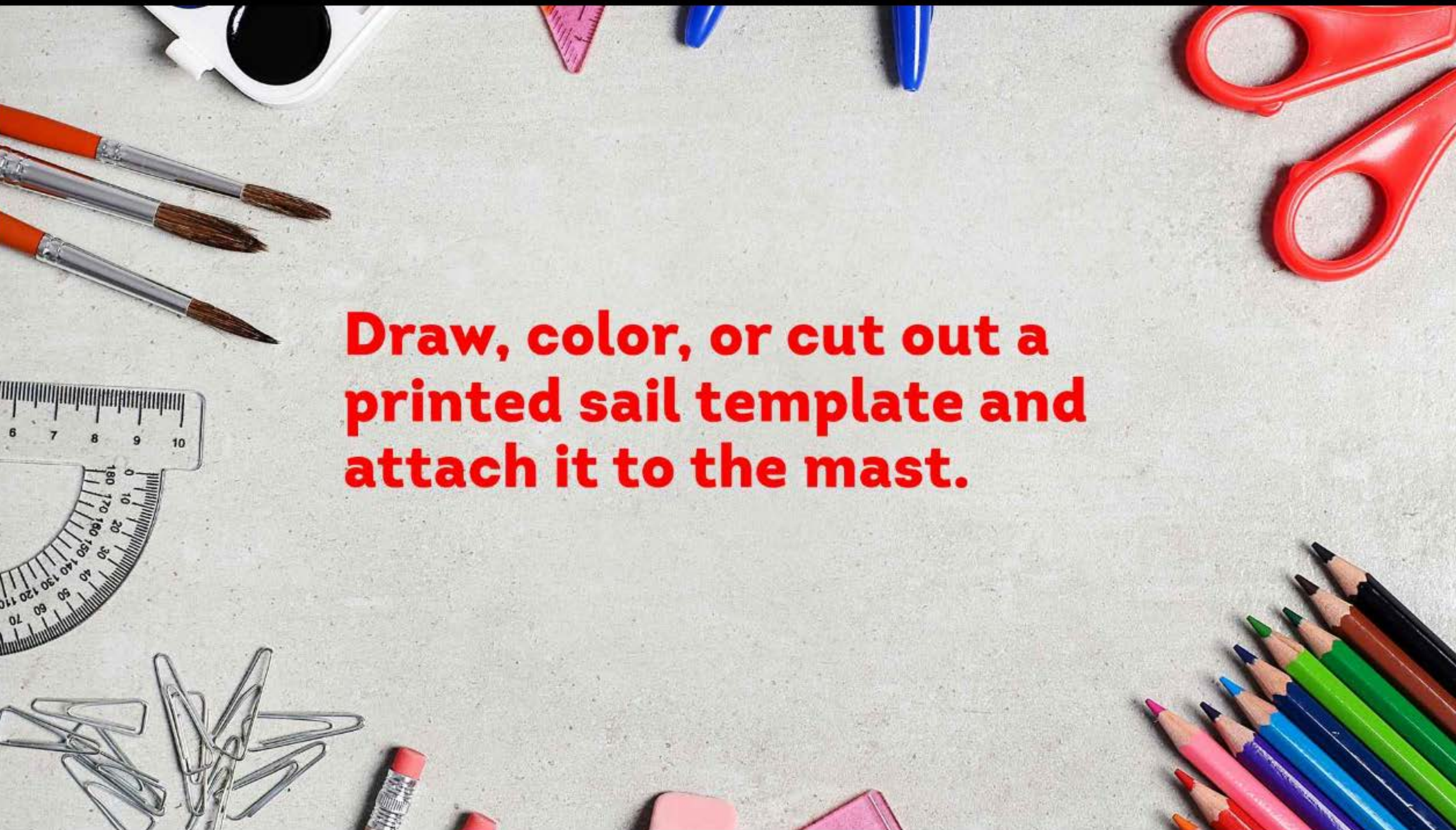






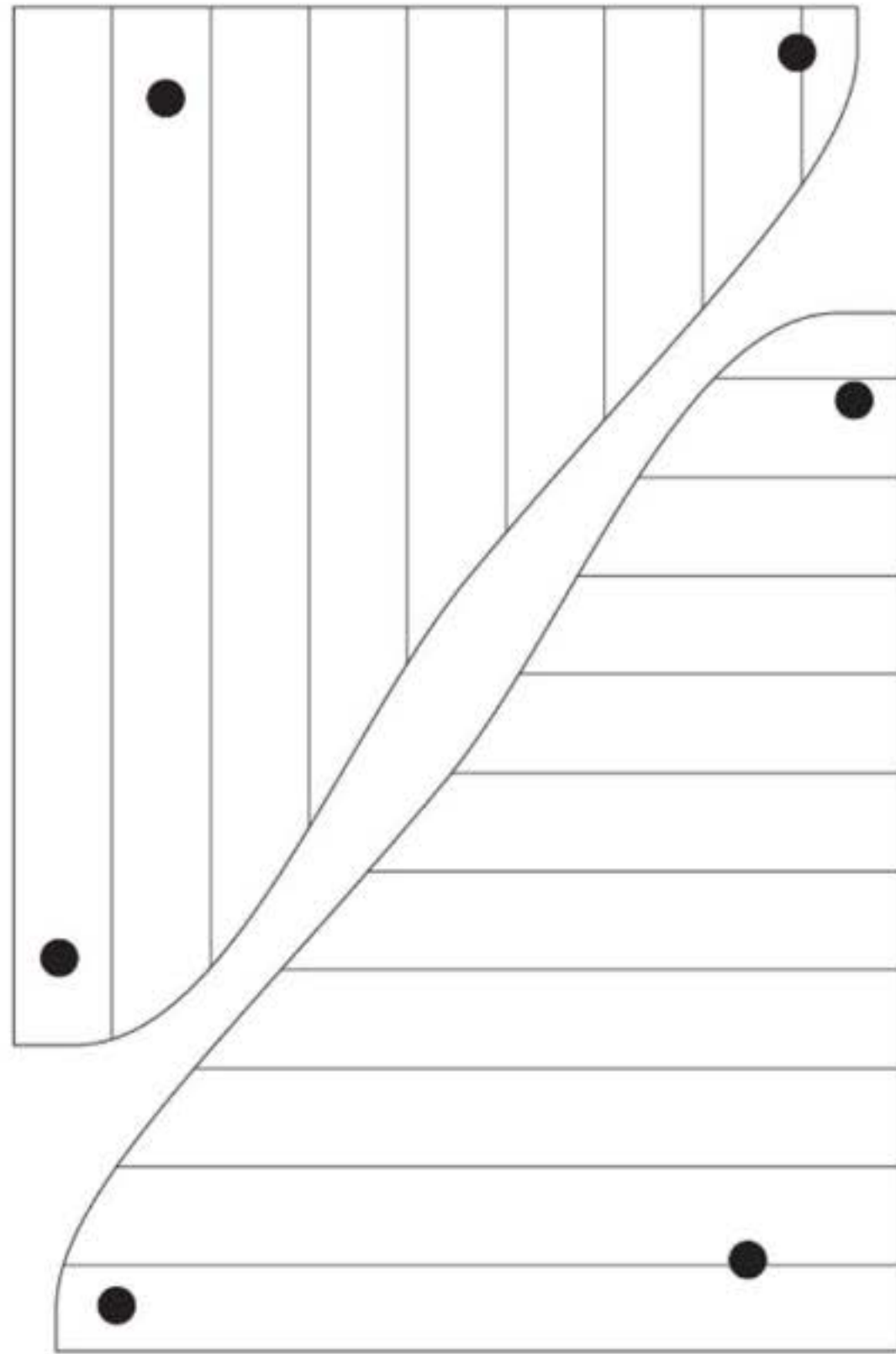
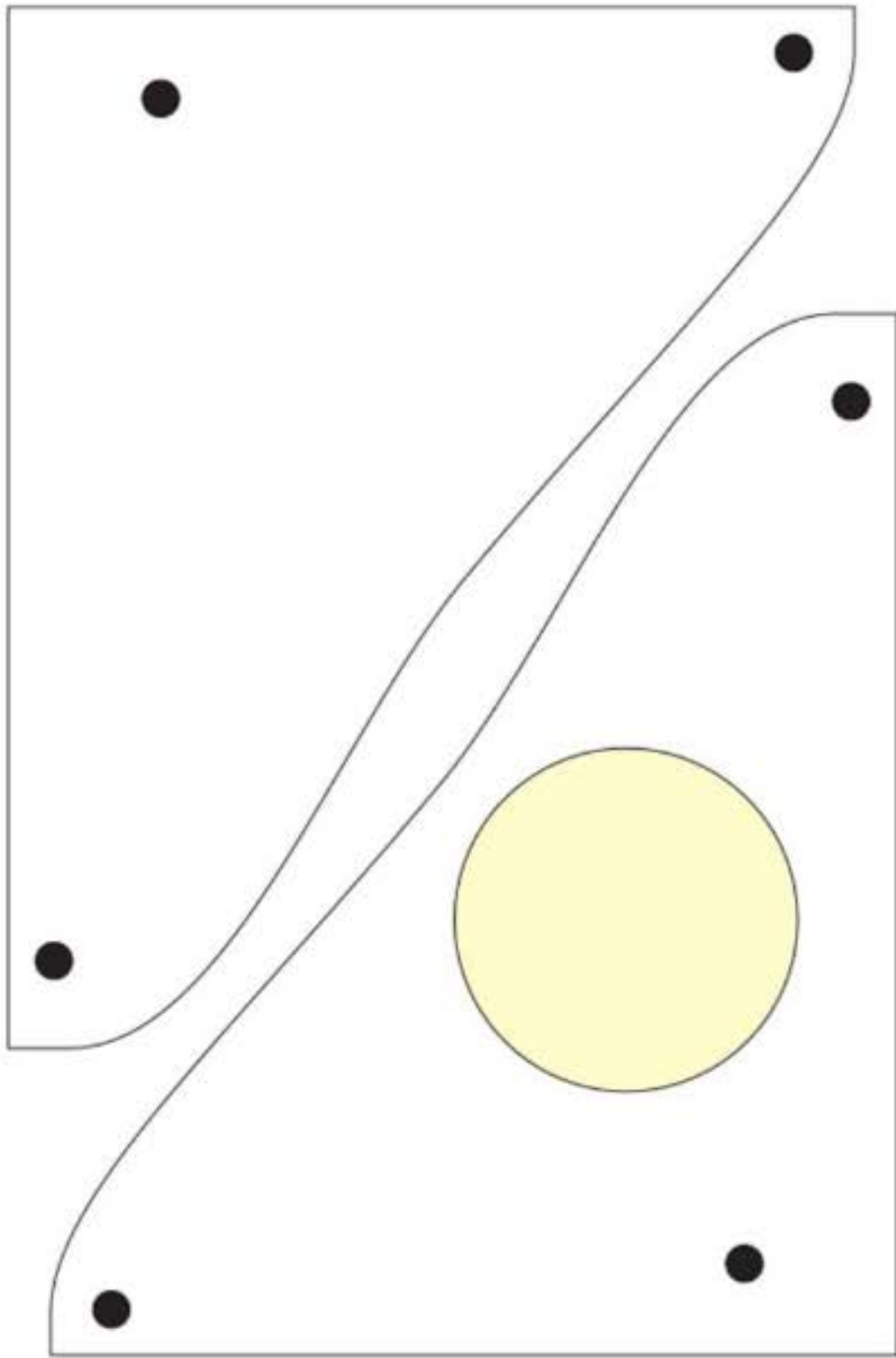




A top-down view of various school supplies scattered on a light gray surface. In the top left, there is a white inkwell with black ink. Below it are three pens with orange barrels and silver barrels. To the right, a pair of red-handled scissors is partially visible. At the top center, there is a pink ruler and two blue pens. In the bottom left, there is a silver ruler with a protractor attached, showing angles from 0 to 180 degrees. Below the ruler are several silver paper clips. At the bottom center, there is a pink eraser and a pink pencil sharpener. In the bottom right, there is a cluster of colorful pencils in shades of pink, purple, blue, green, and brown.

Draw, color, or cut out a printed sail template and attach it to the mast.





Task 2

**Write a program that turns on the model engine and moves the ship forward.
*To turn the ship, blow on the sail!***

Task 3

Arrange floating buoys for the sports track on the track and guide the ship along it.

