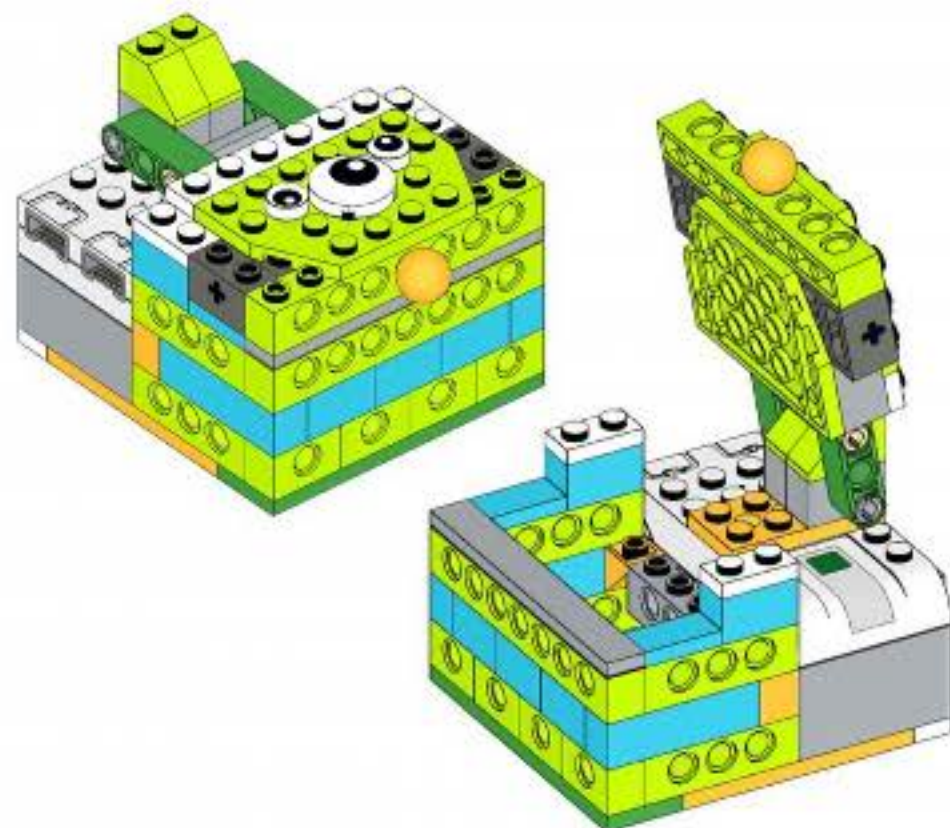
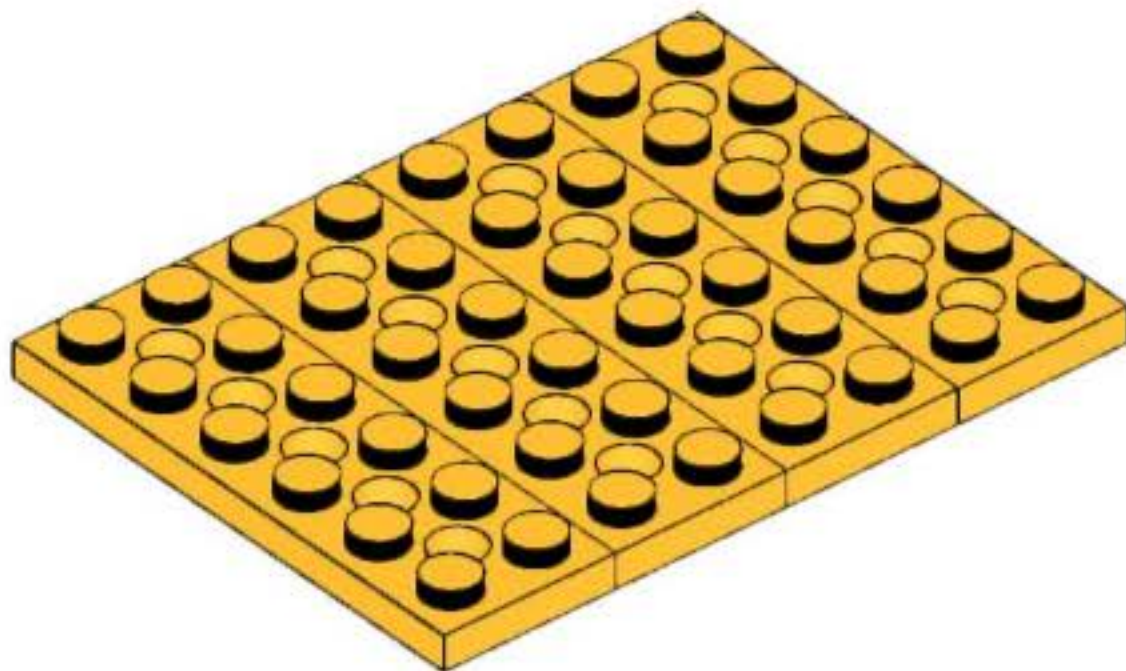
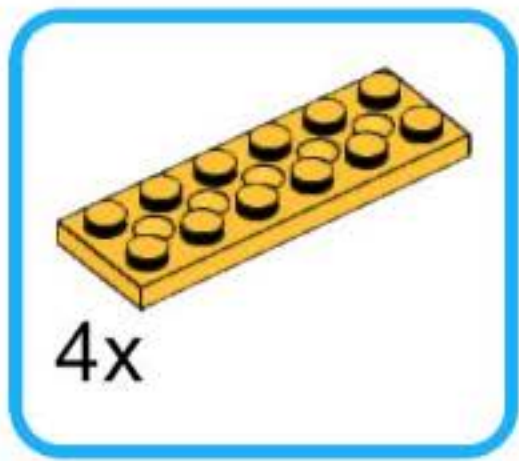


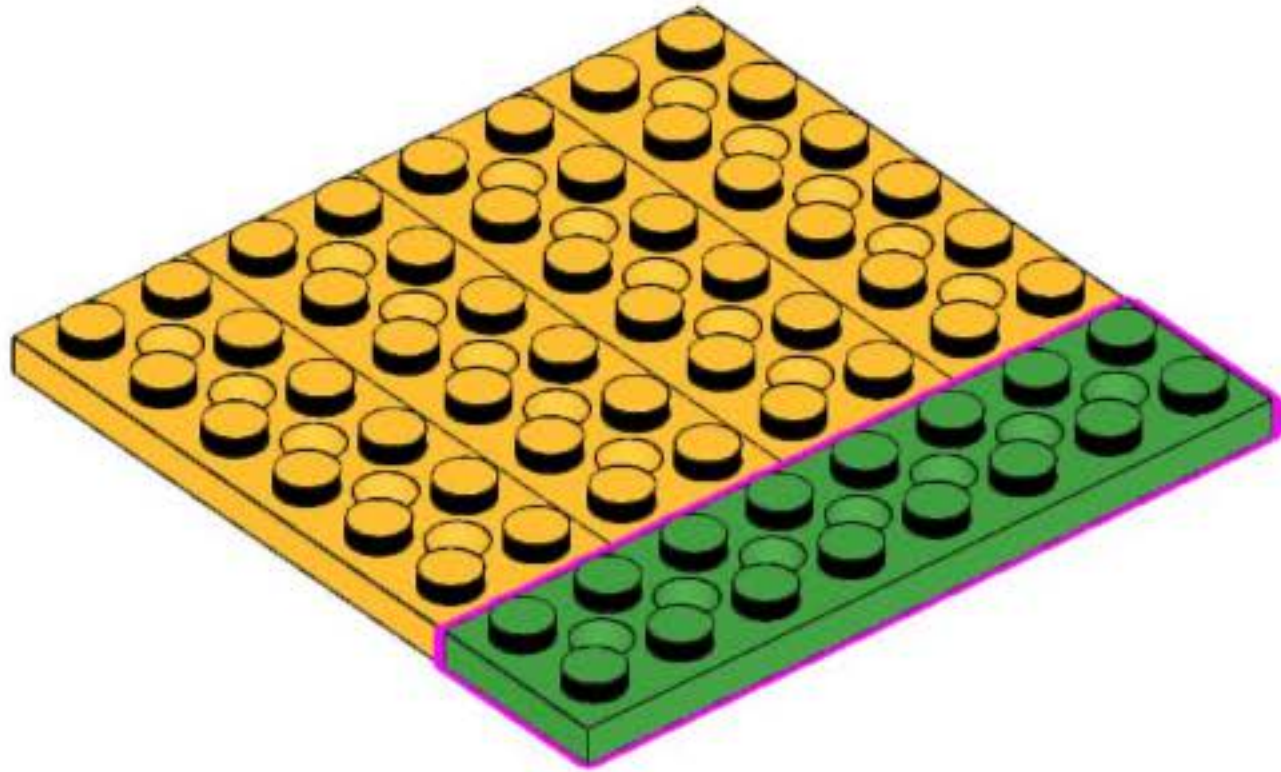
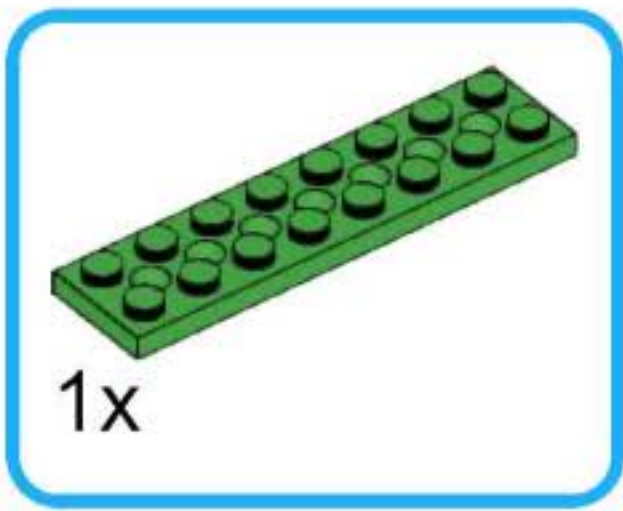
candy box robot
unofficial building instruction

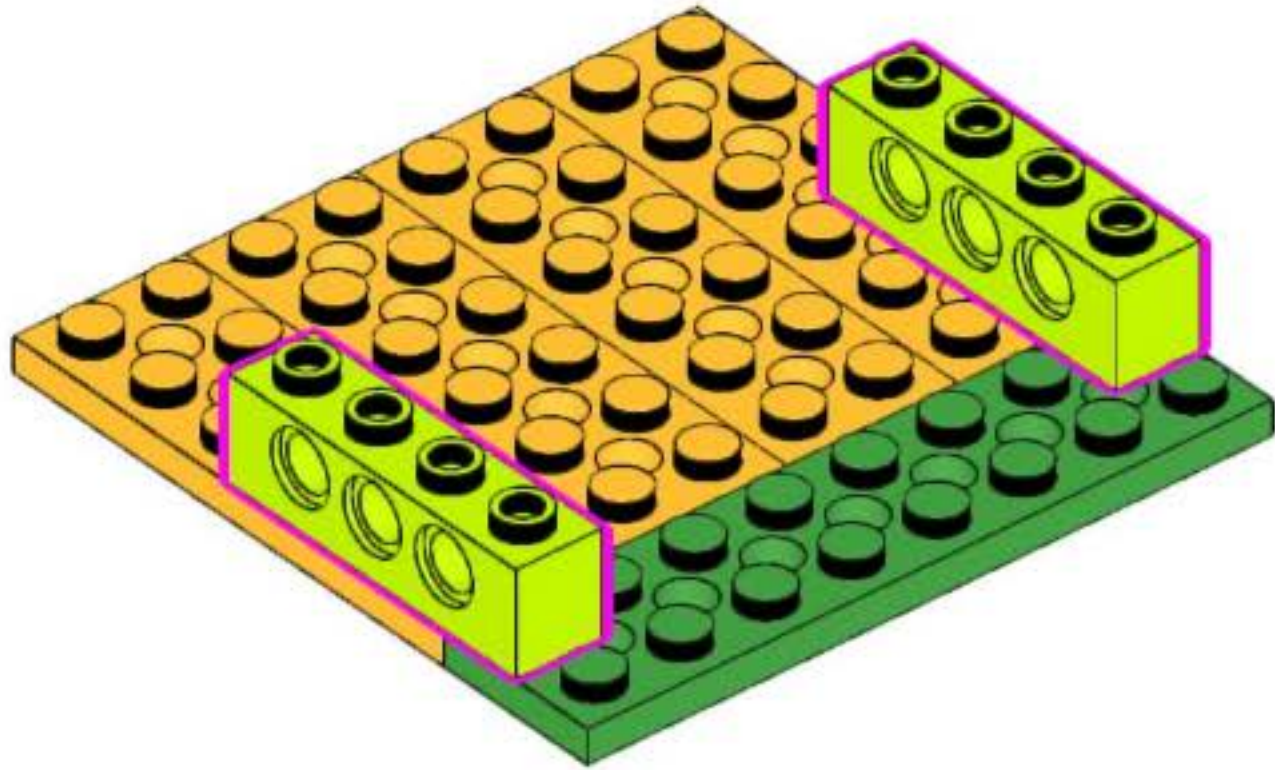
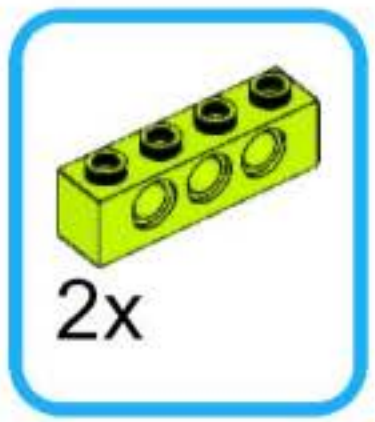


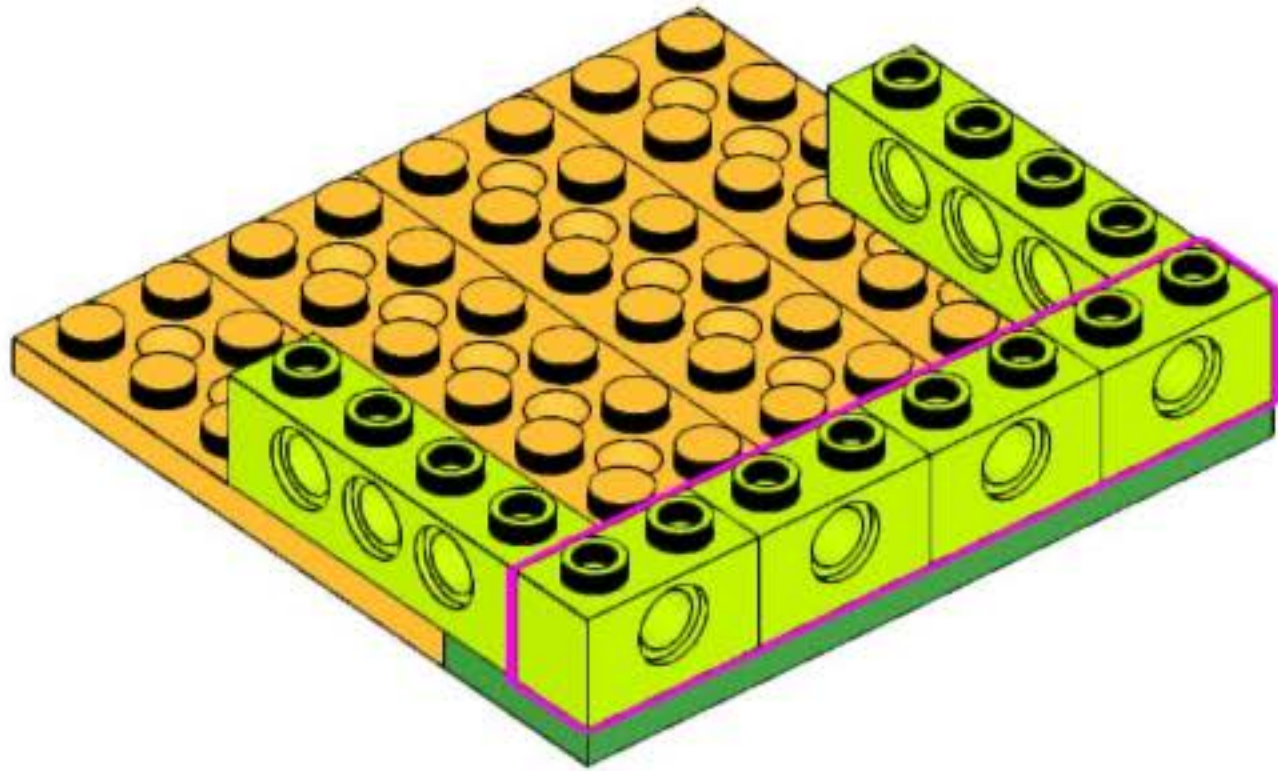
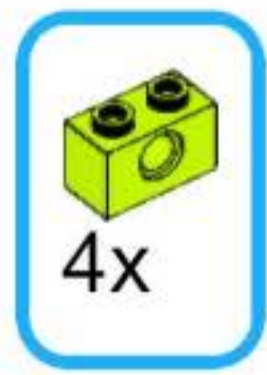
Candy box

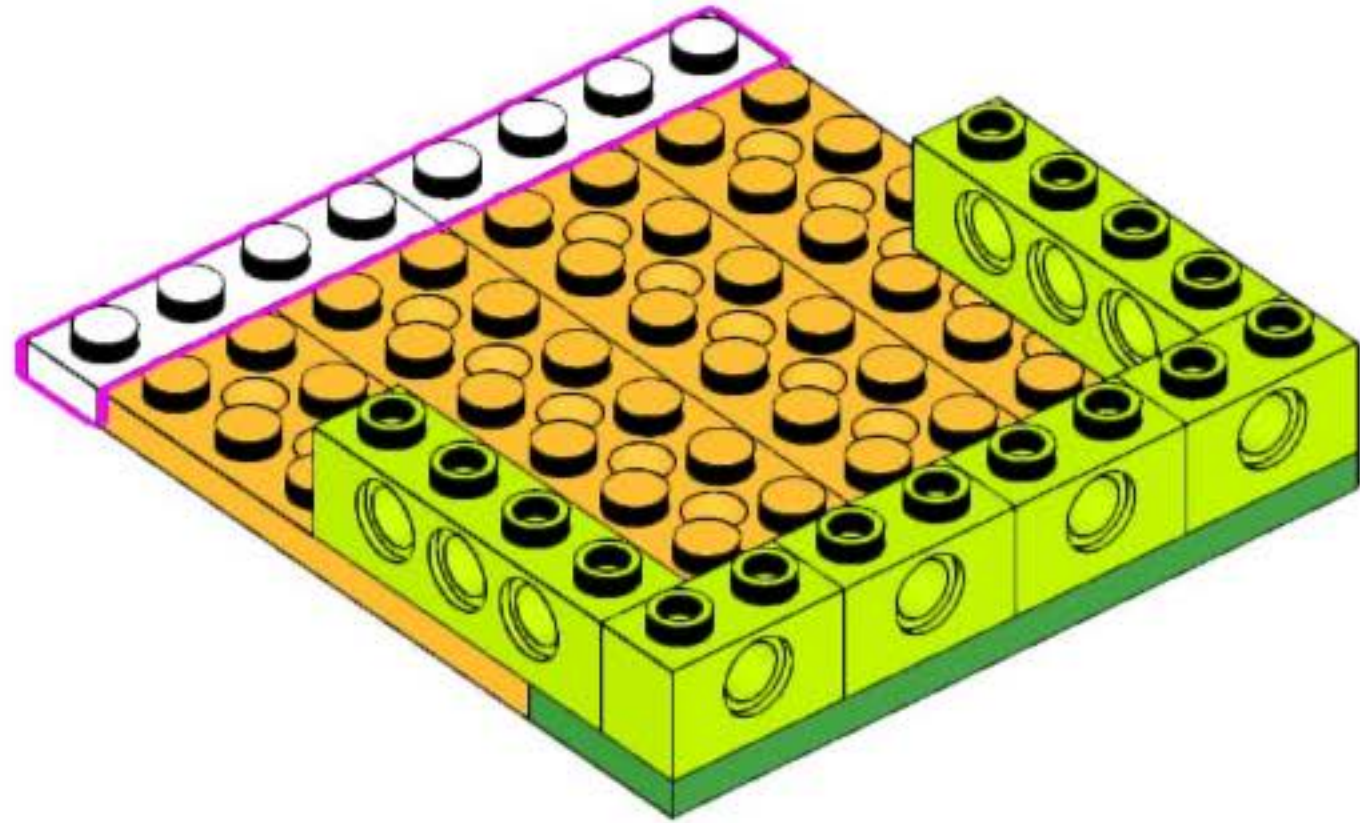
for Lego® WeDo 2.0
45300

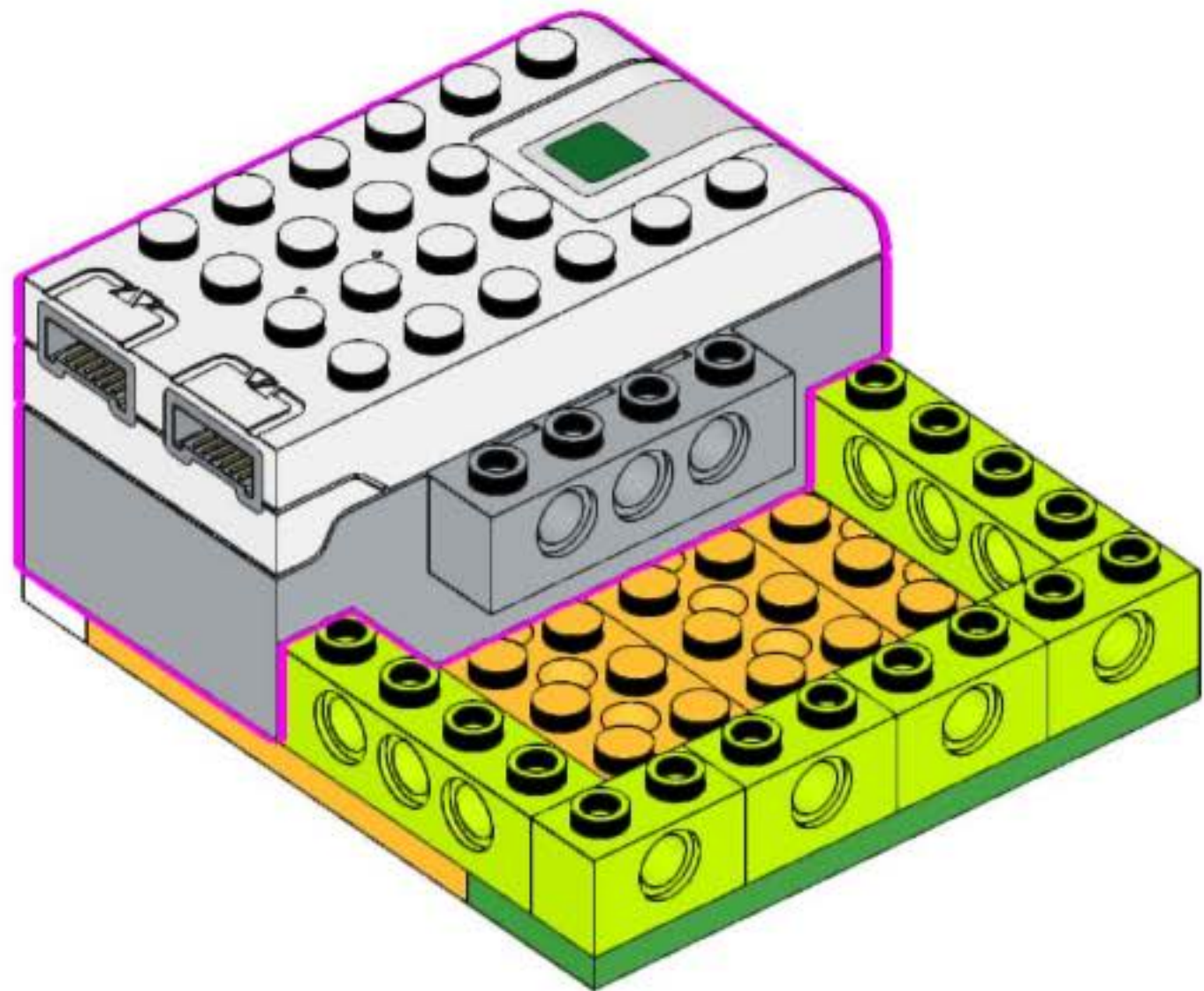
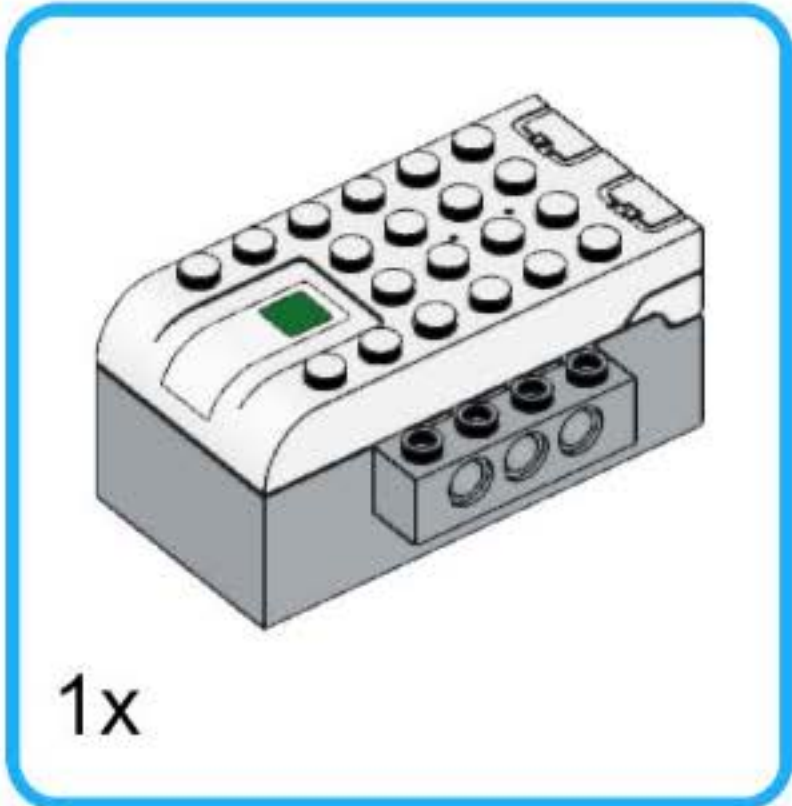


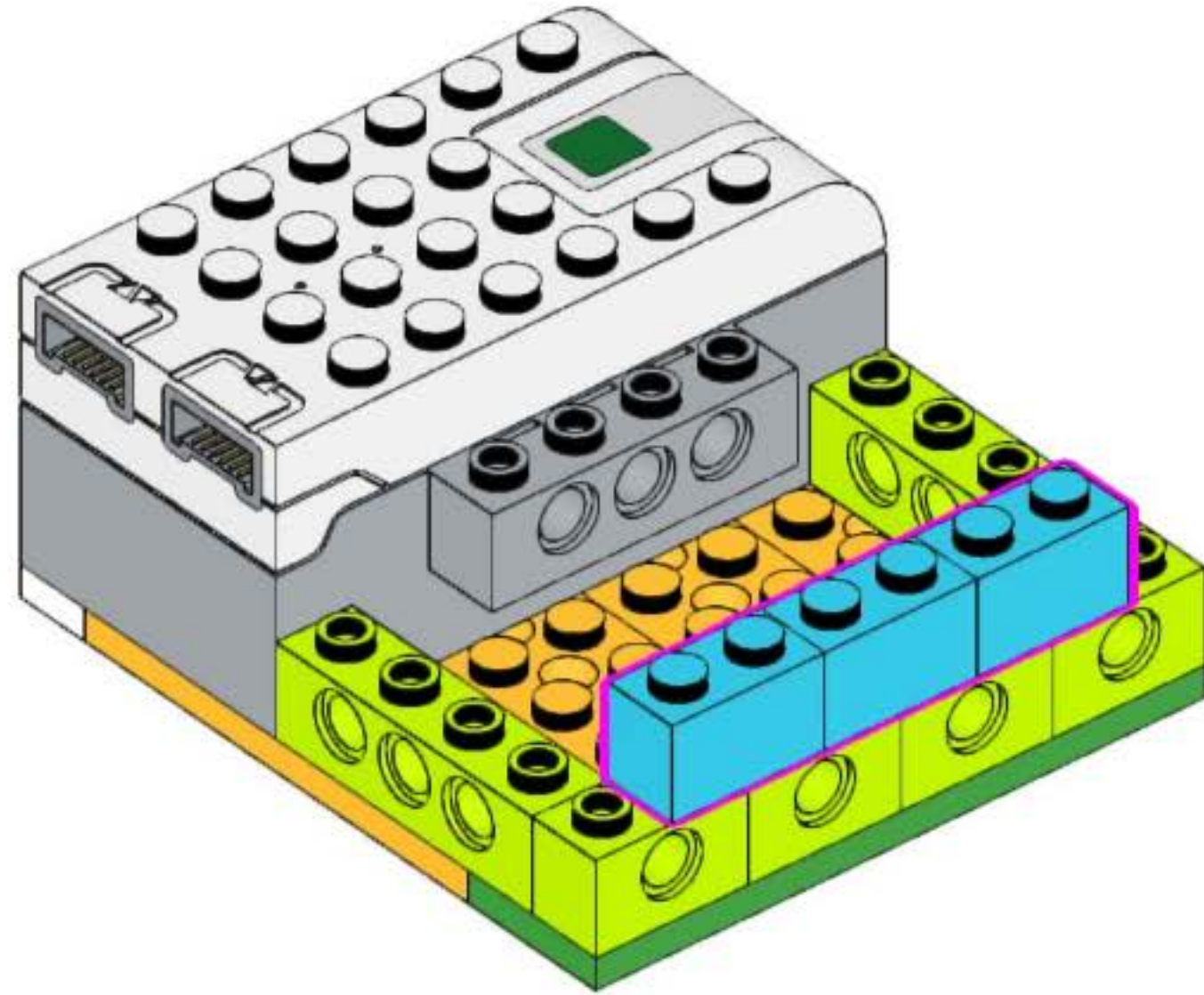
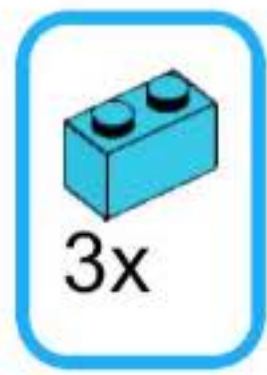


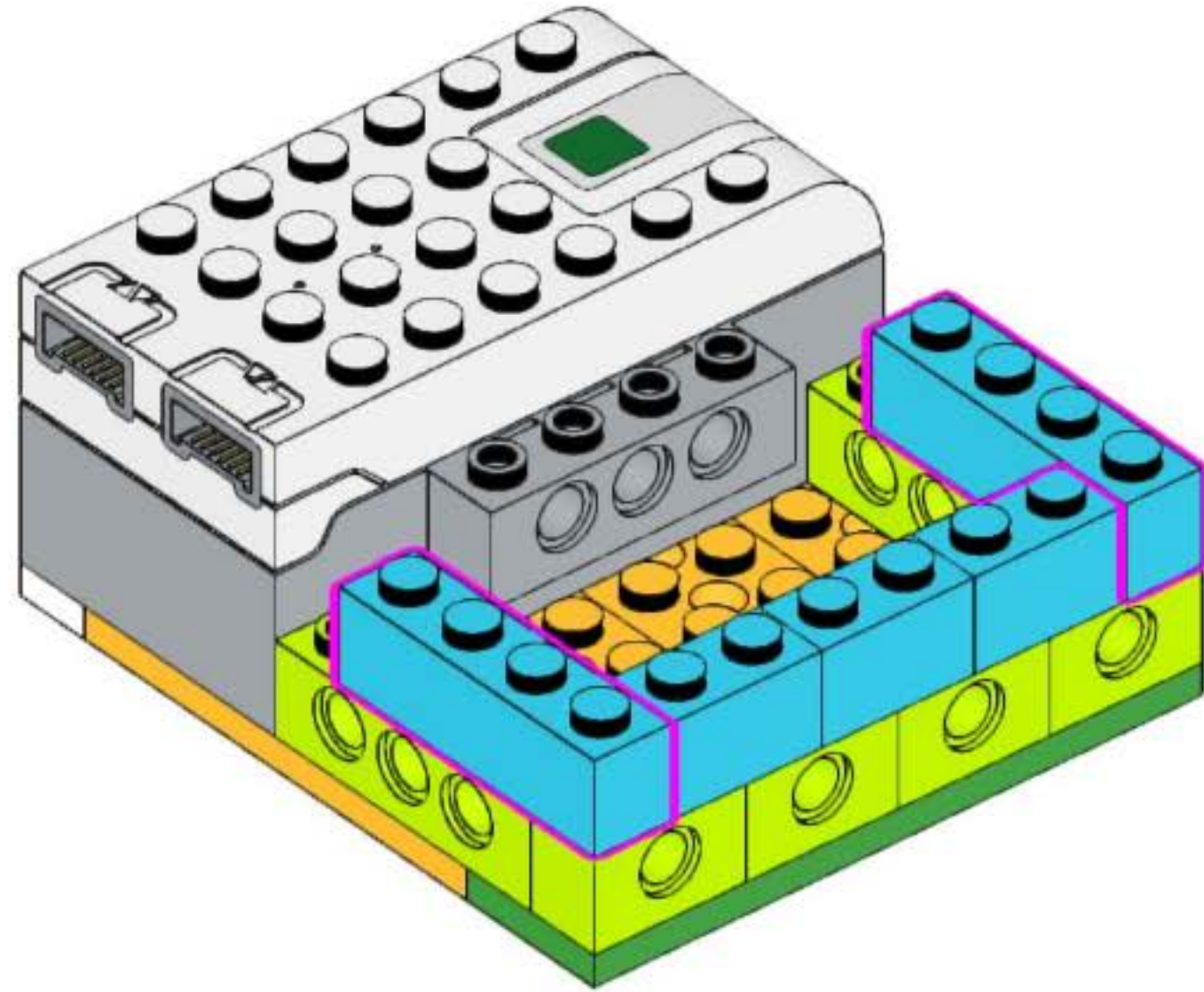
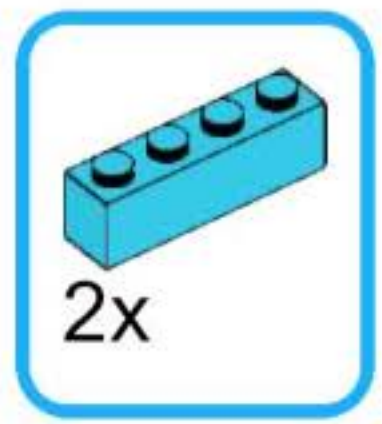


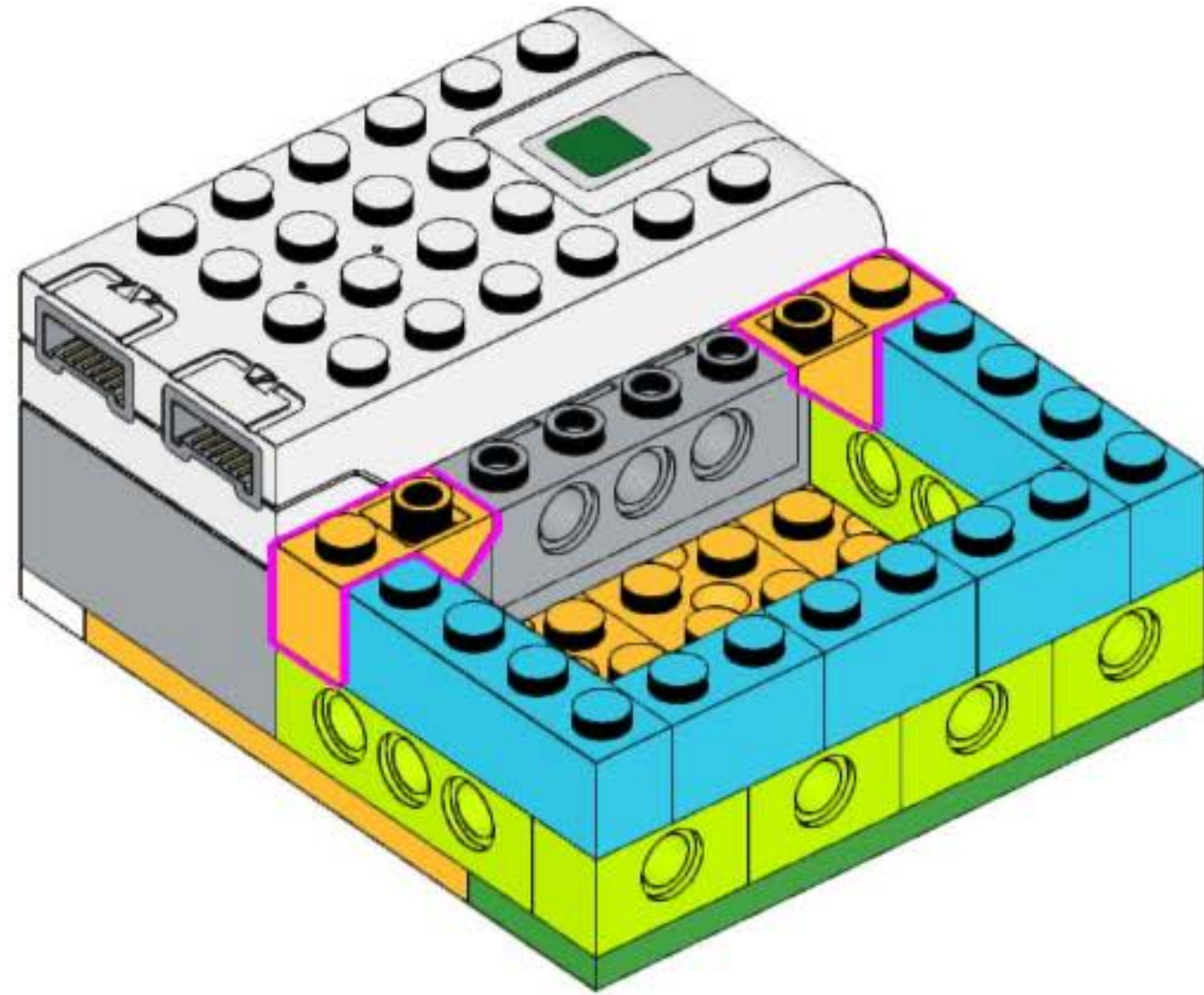
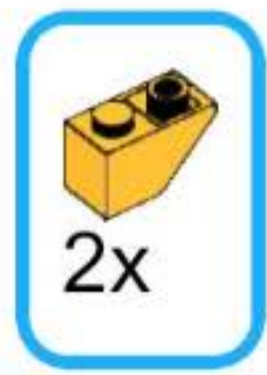


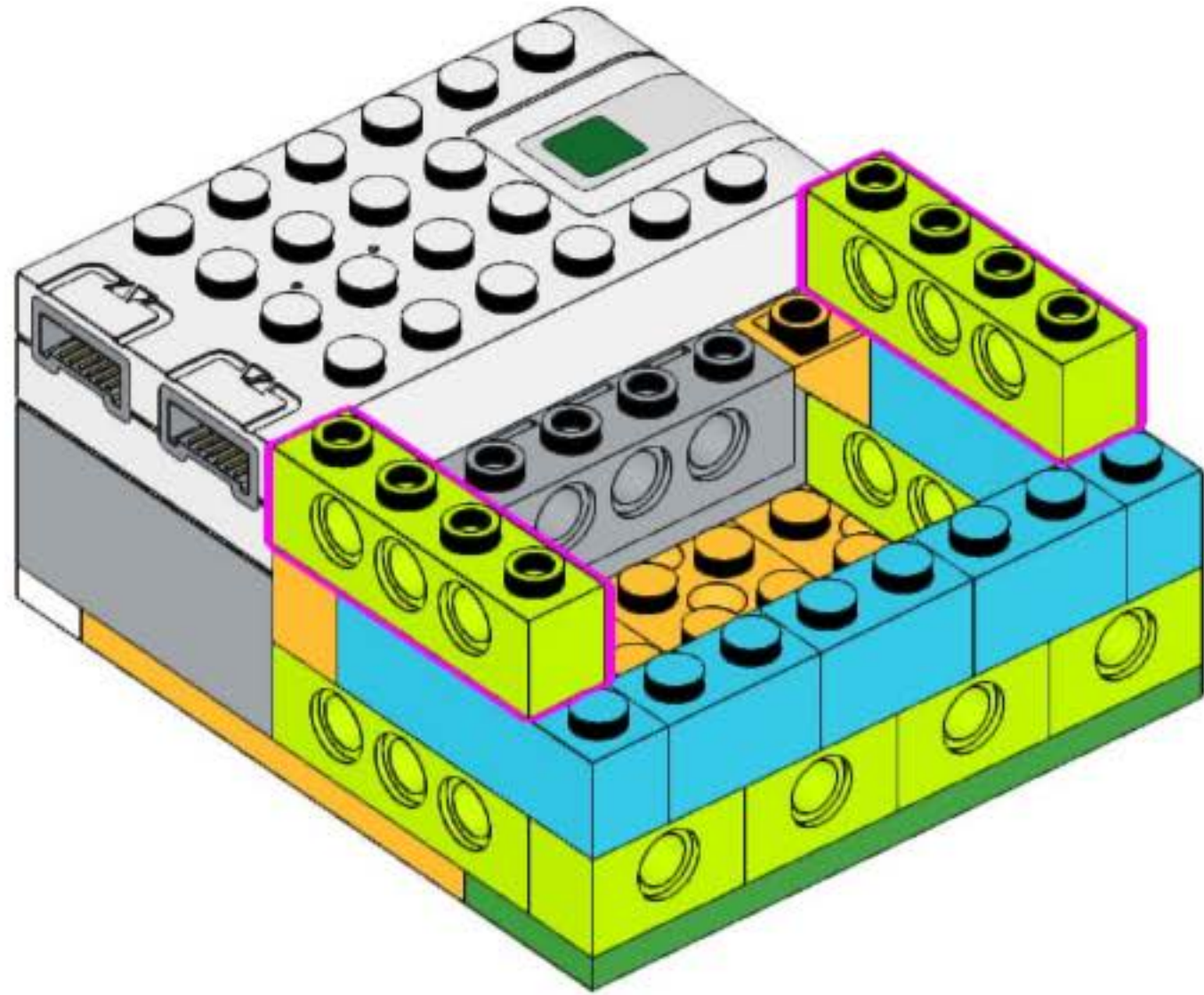
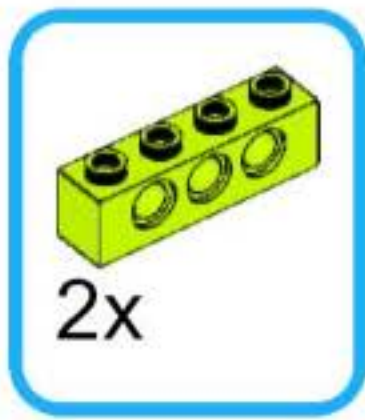


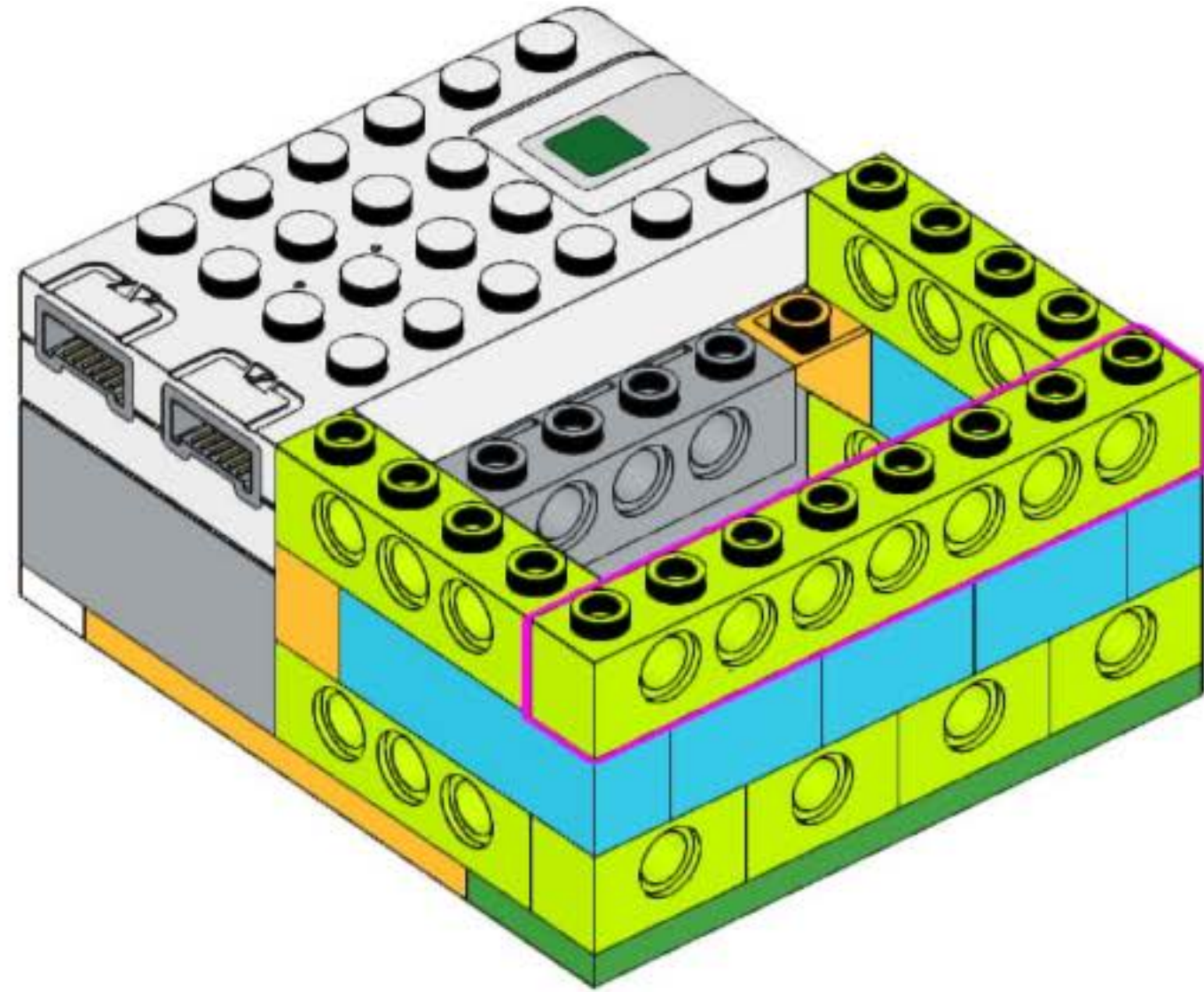
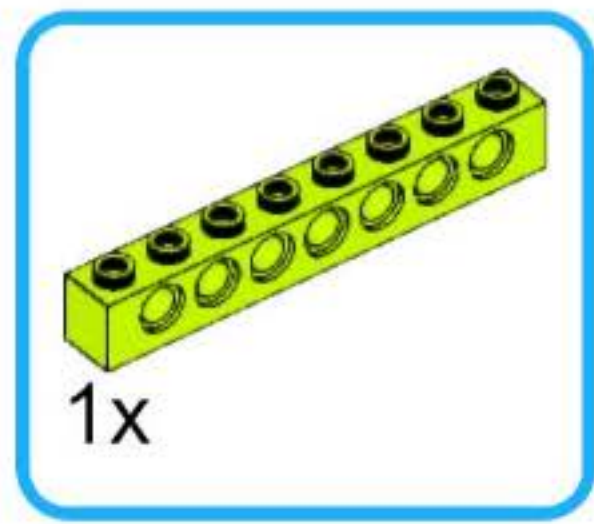


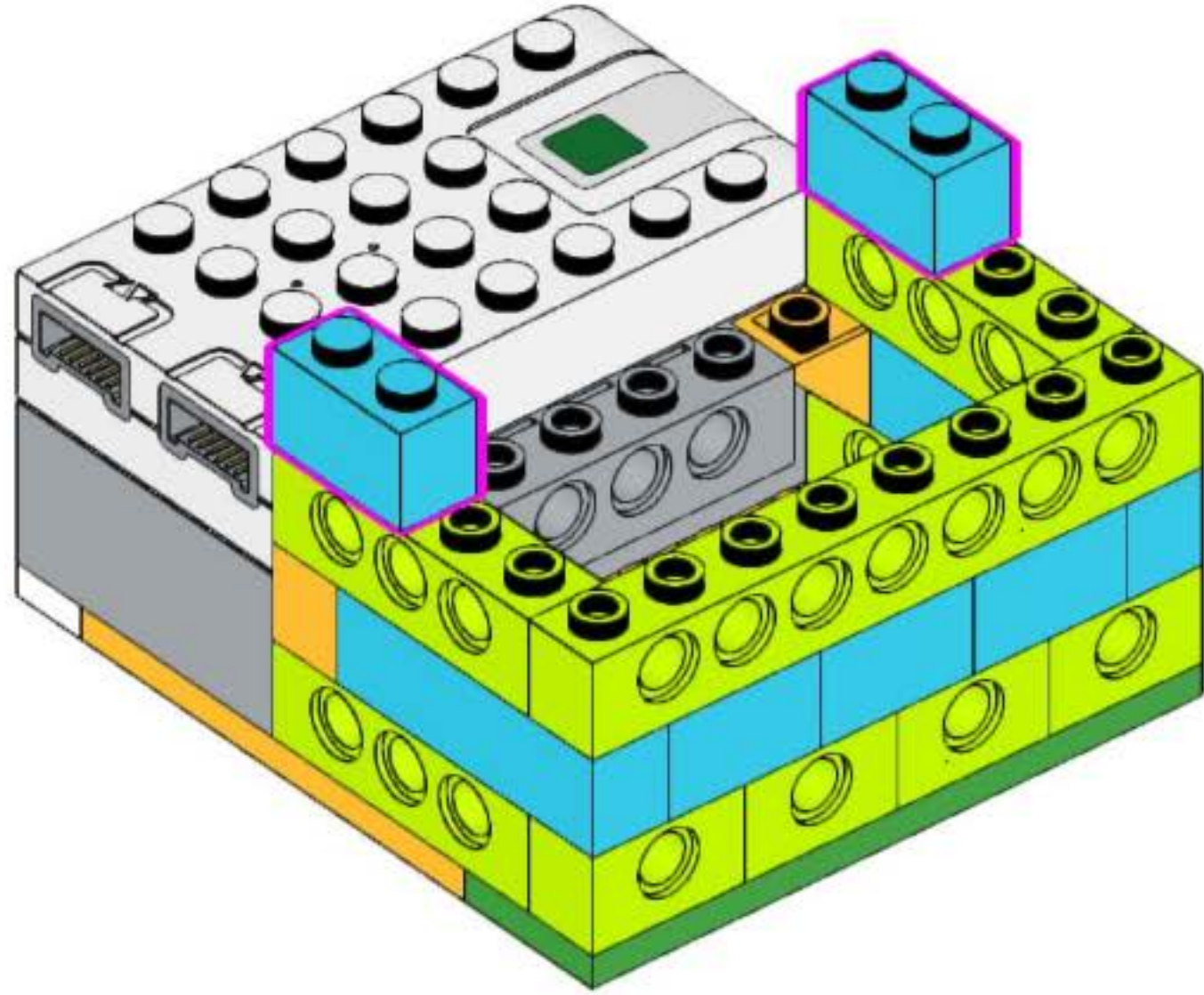
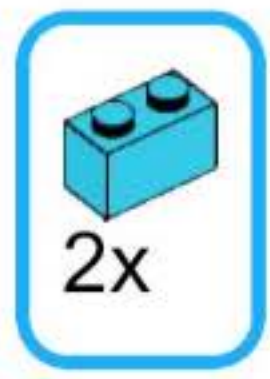


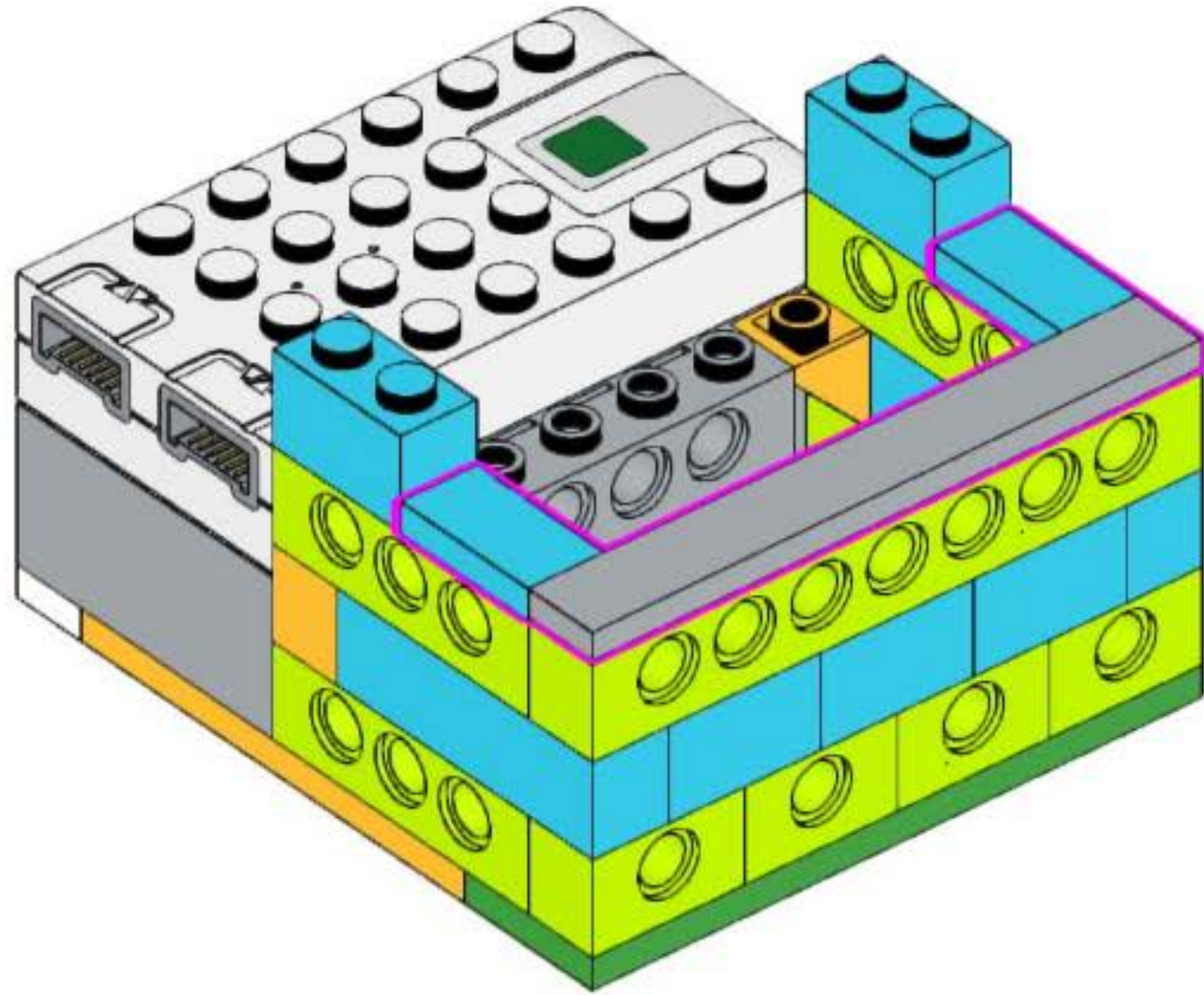
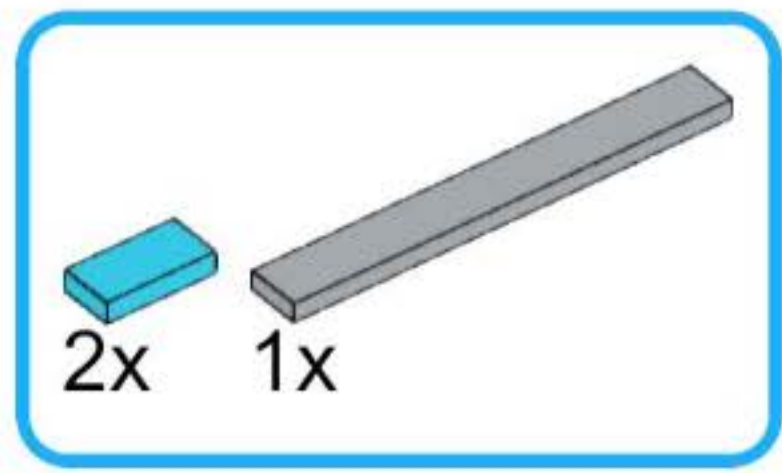


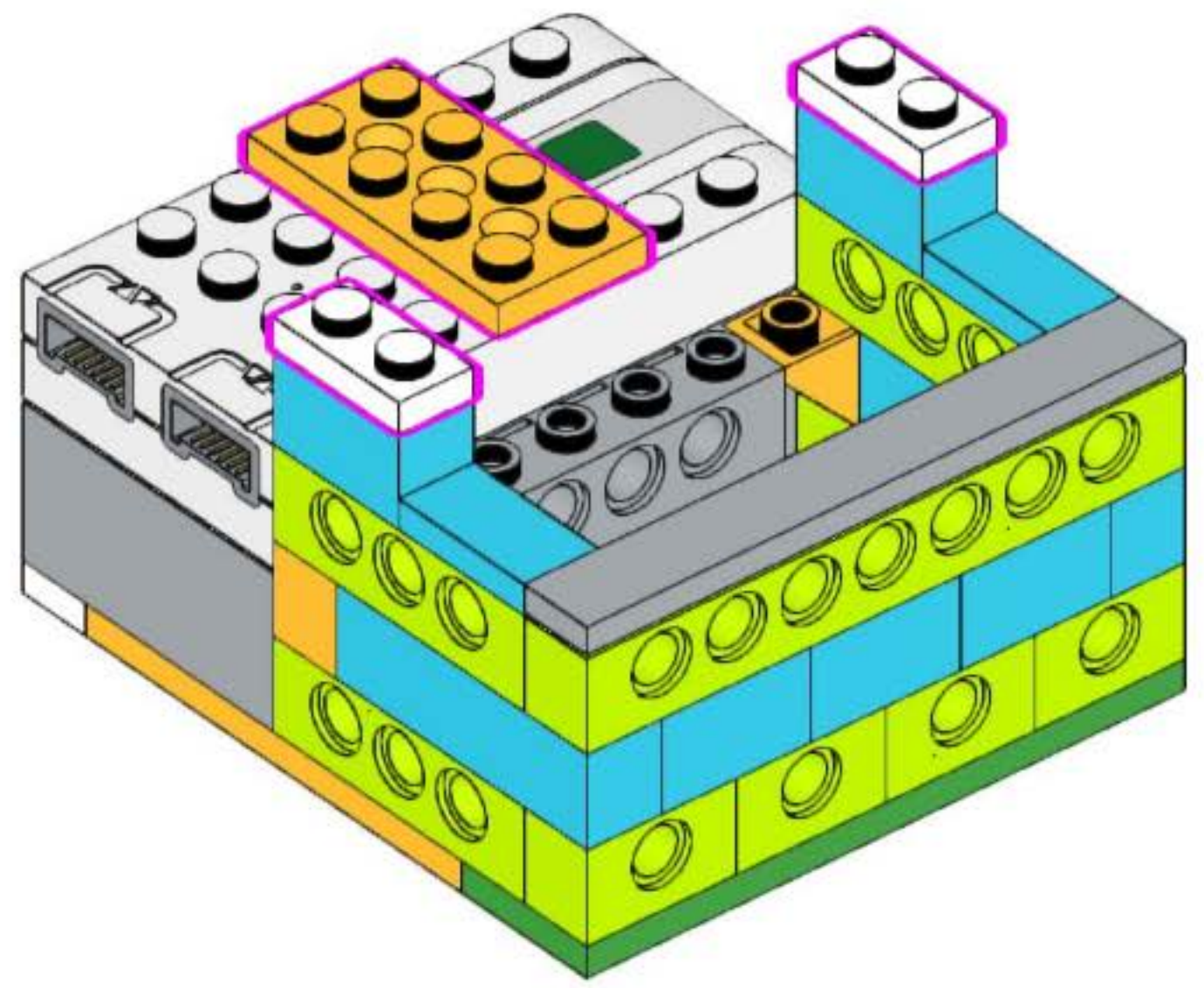
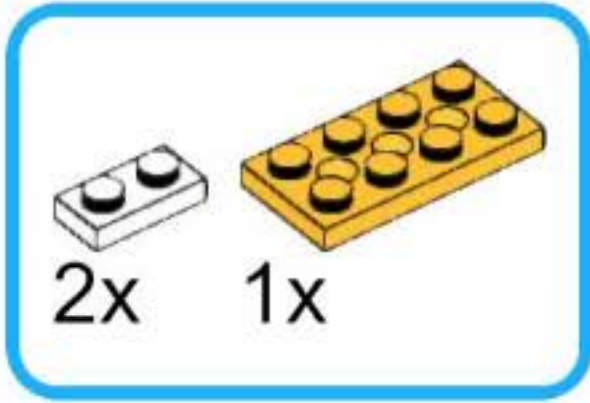


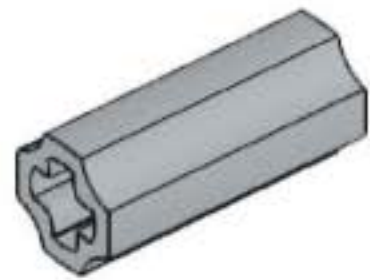
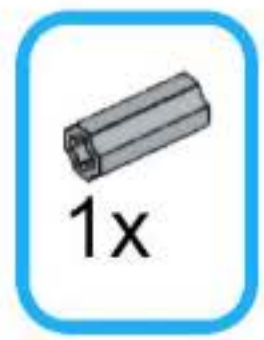


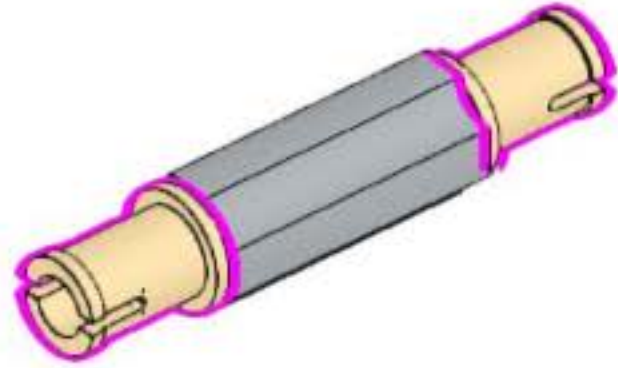
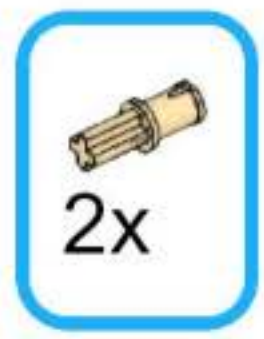


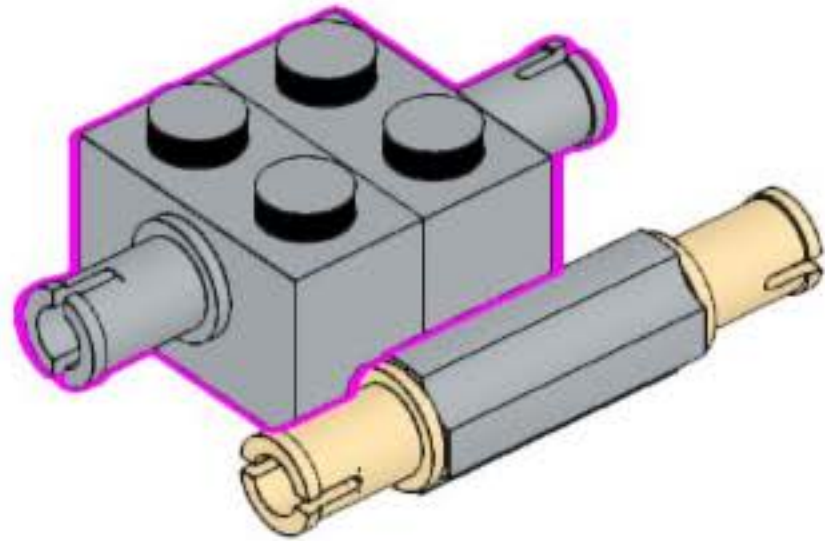
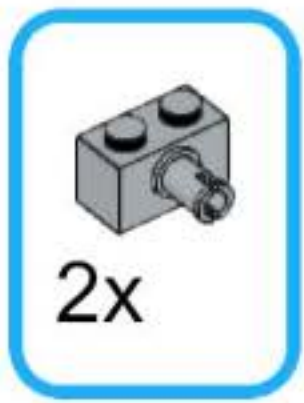


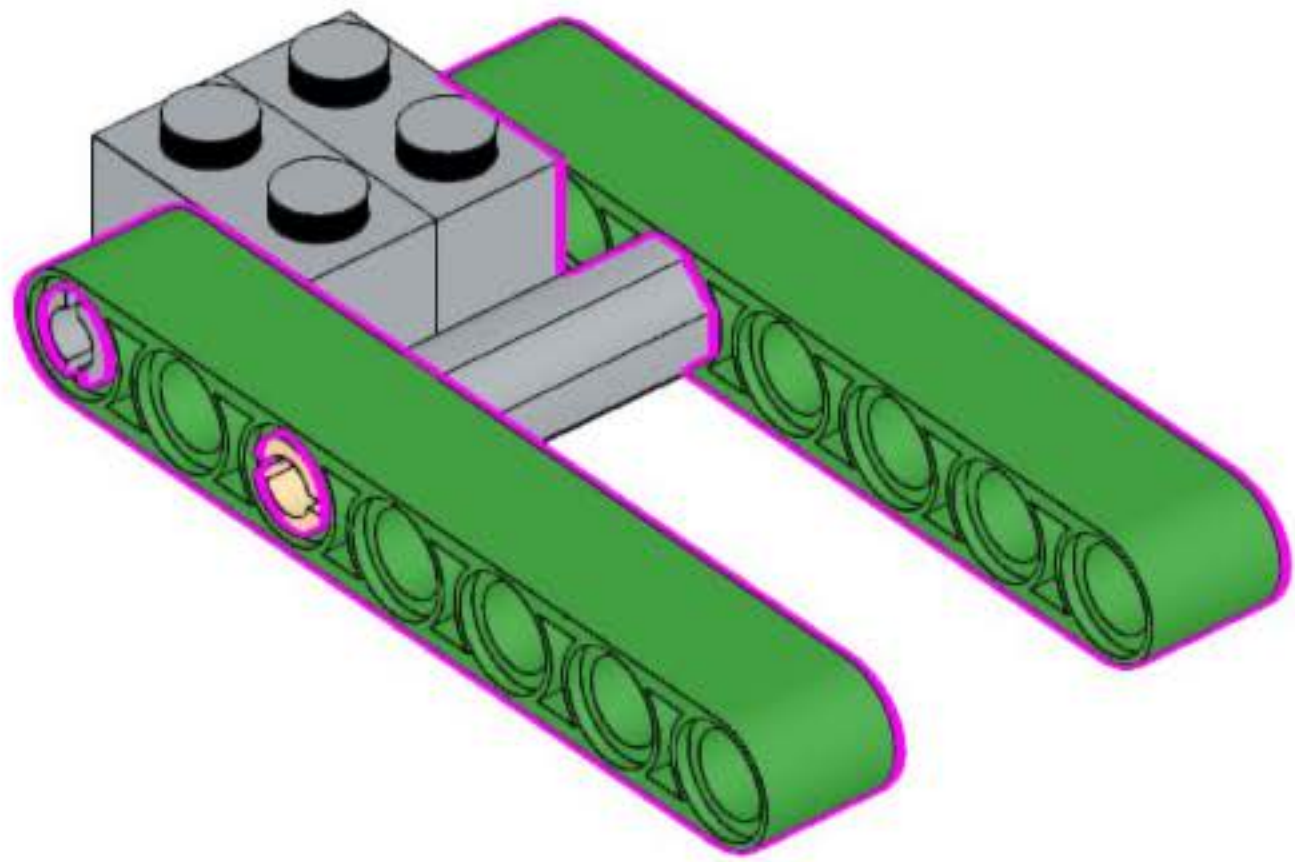


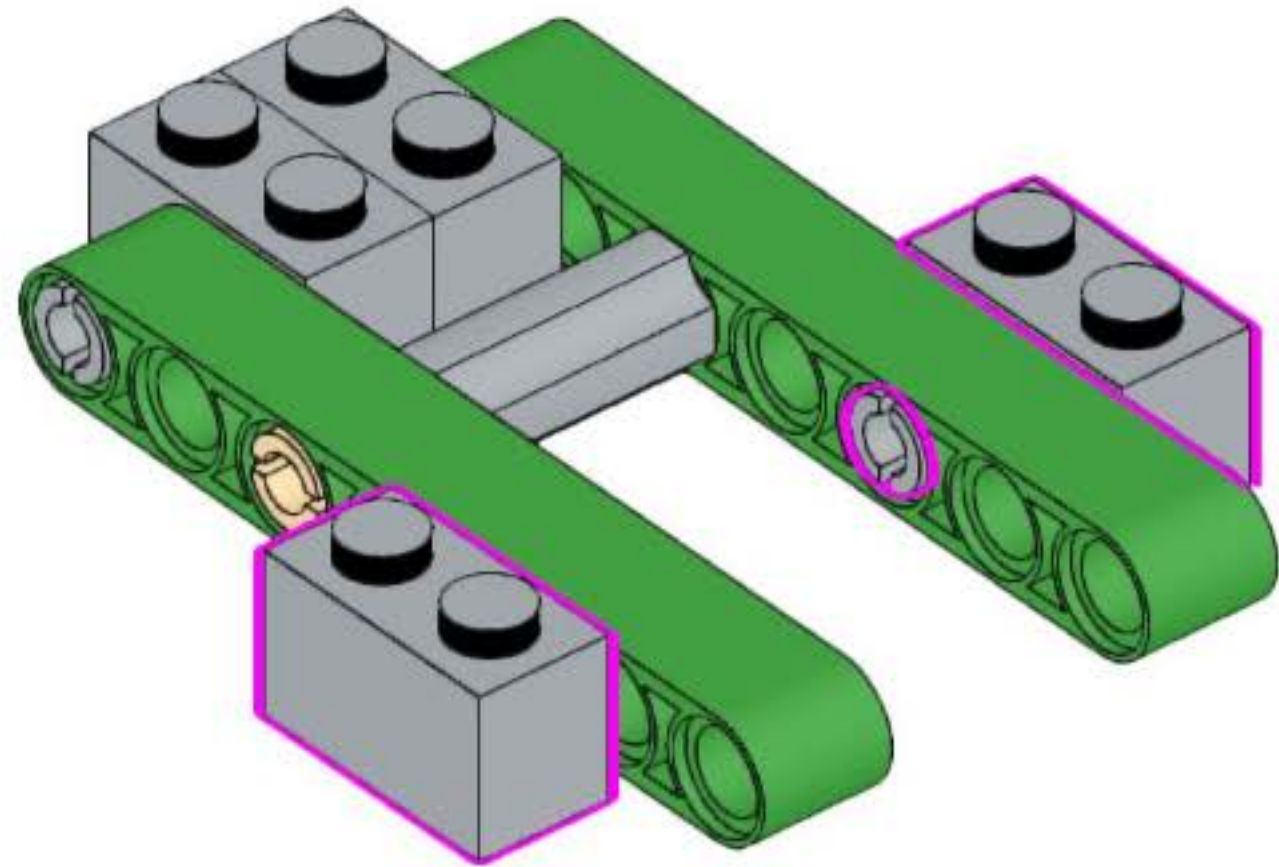
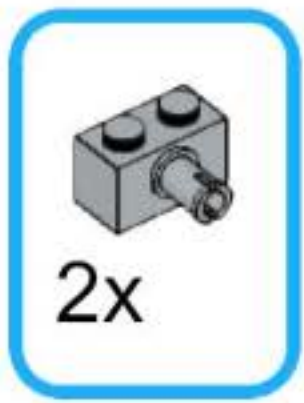


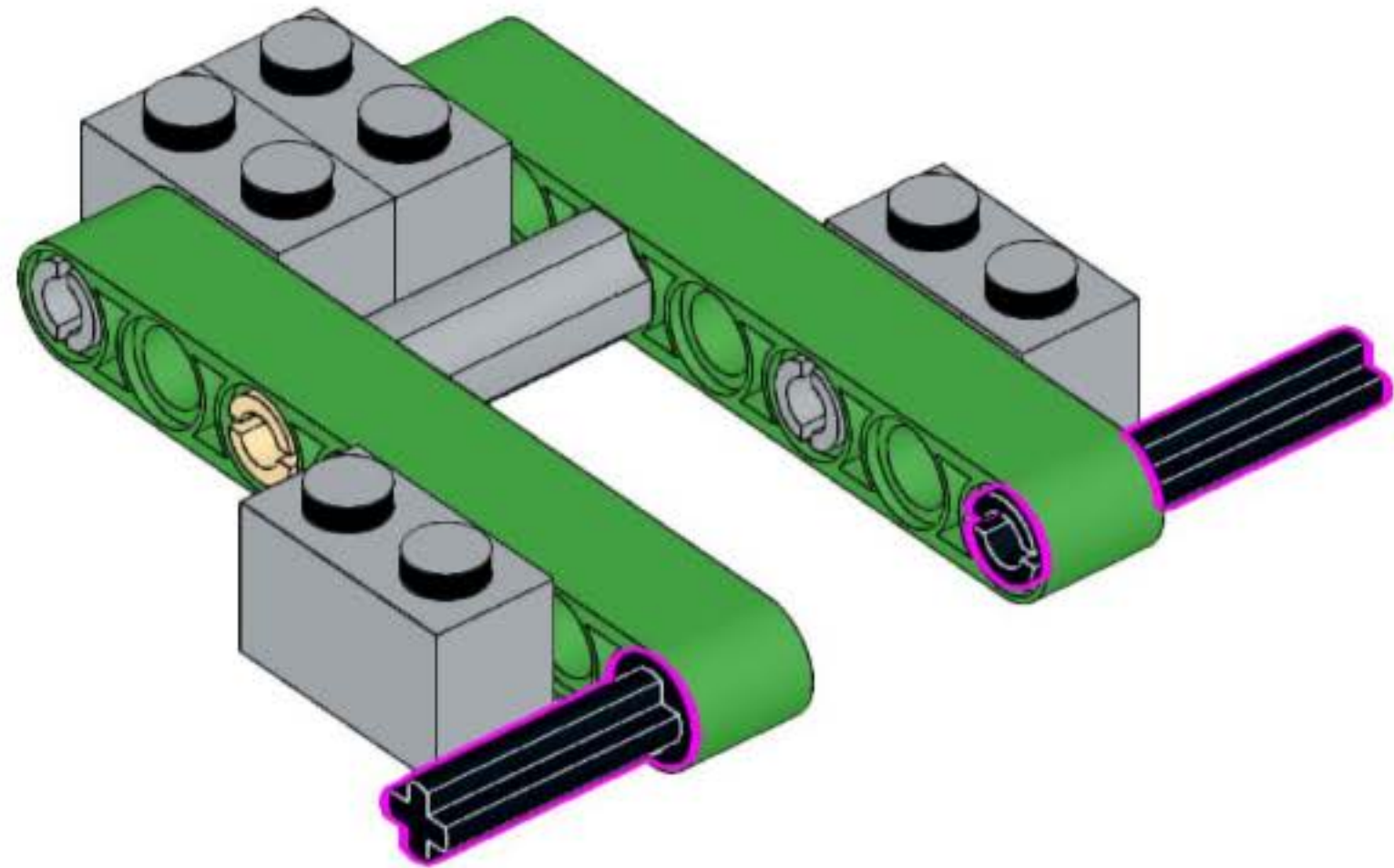


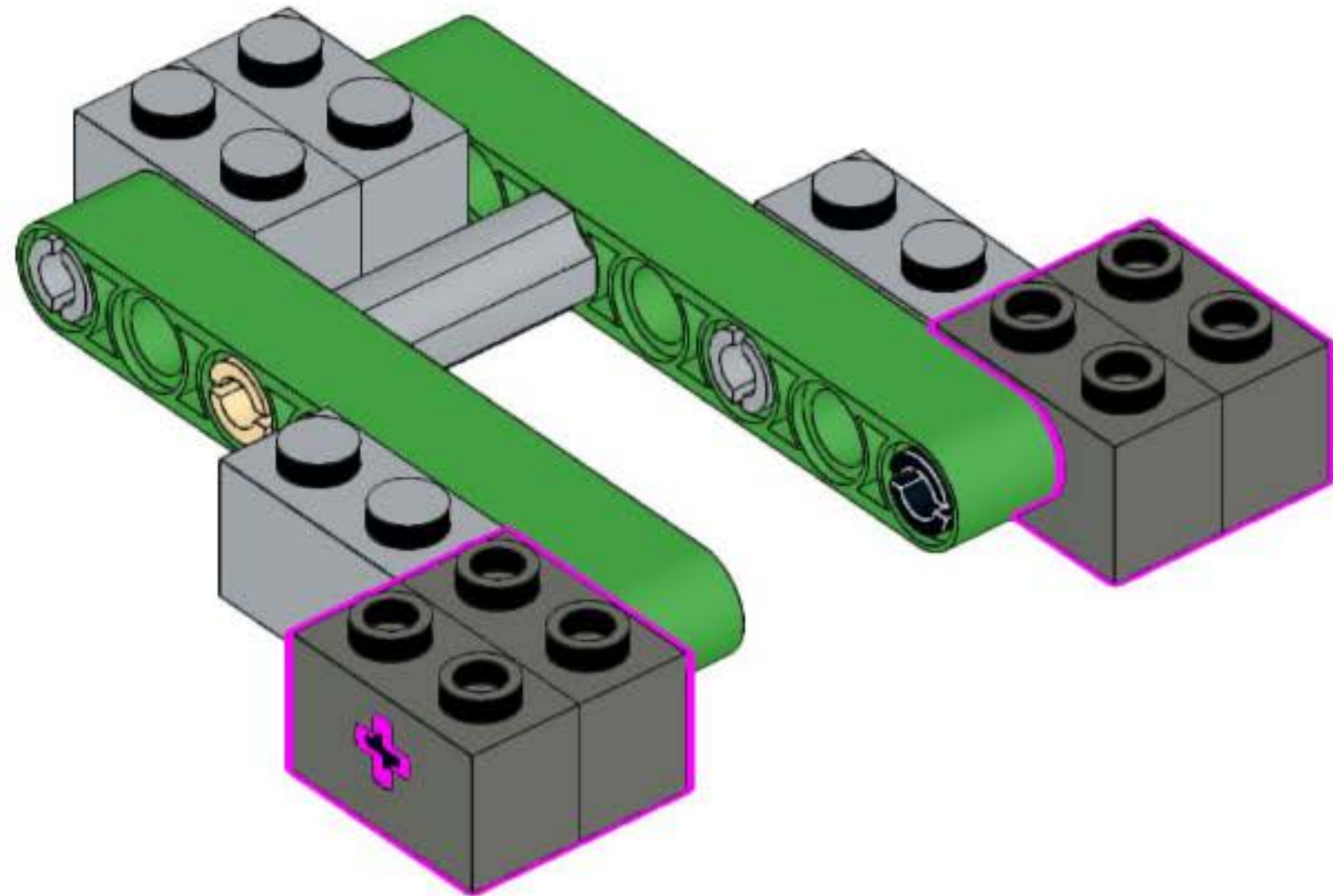
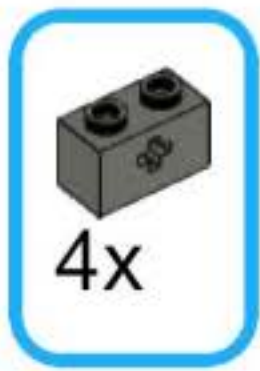


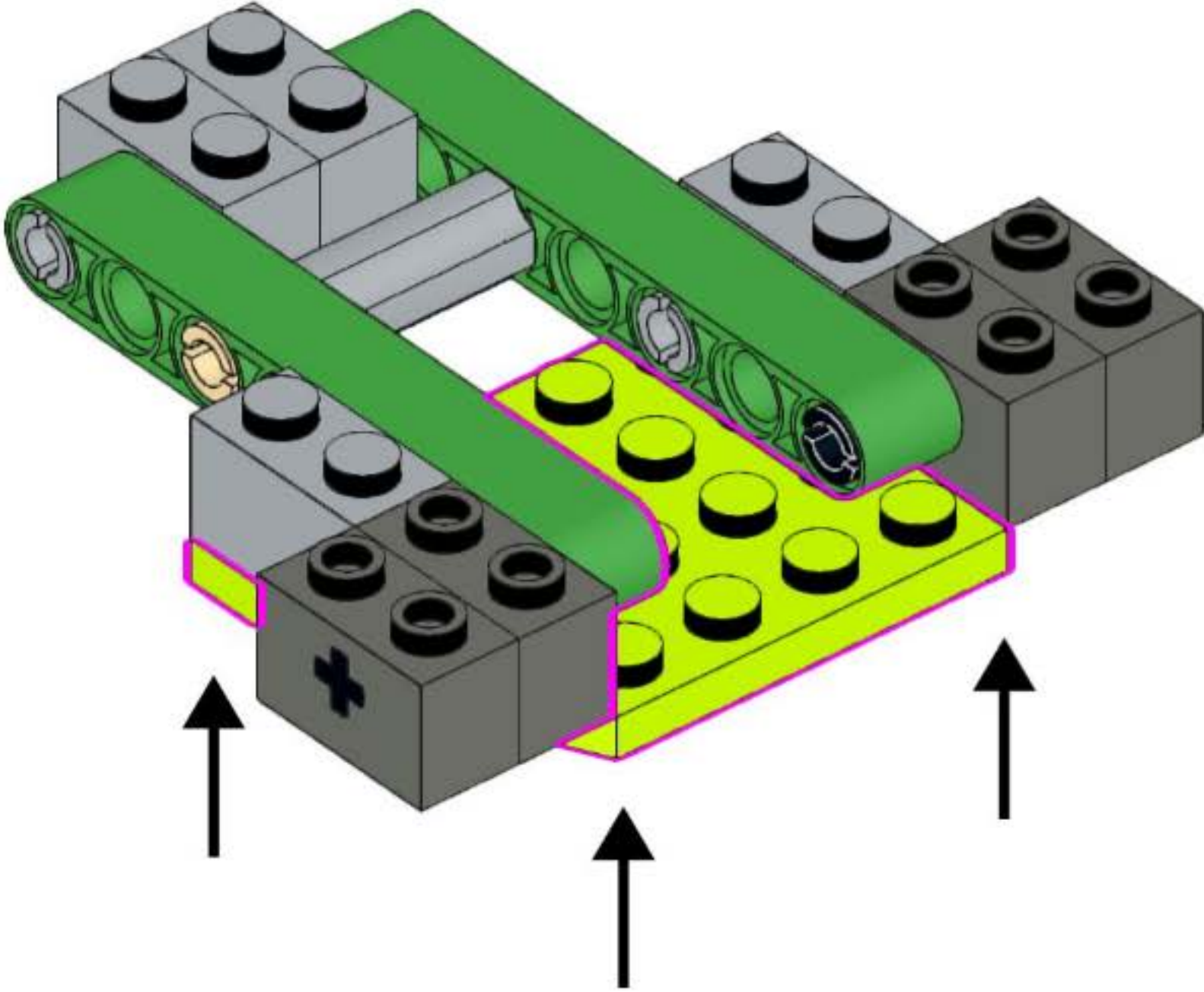
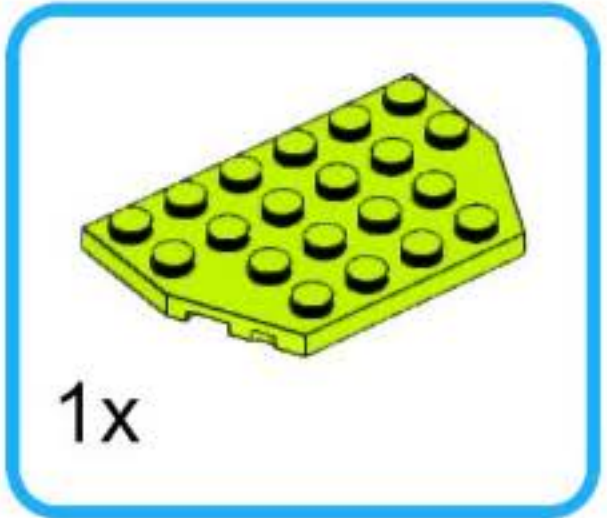


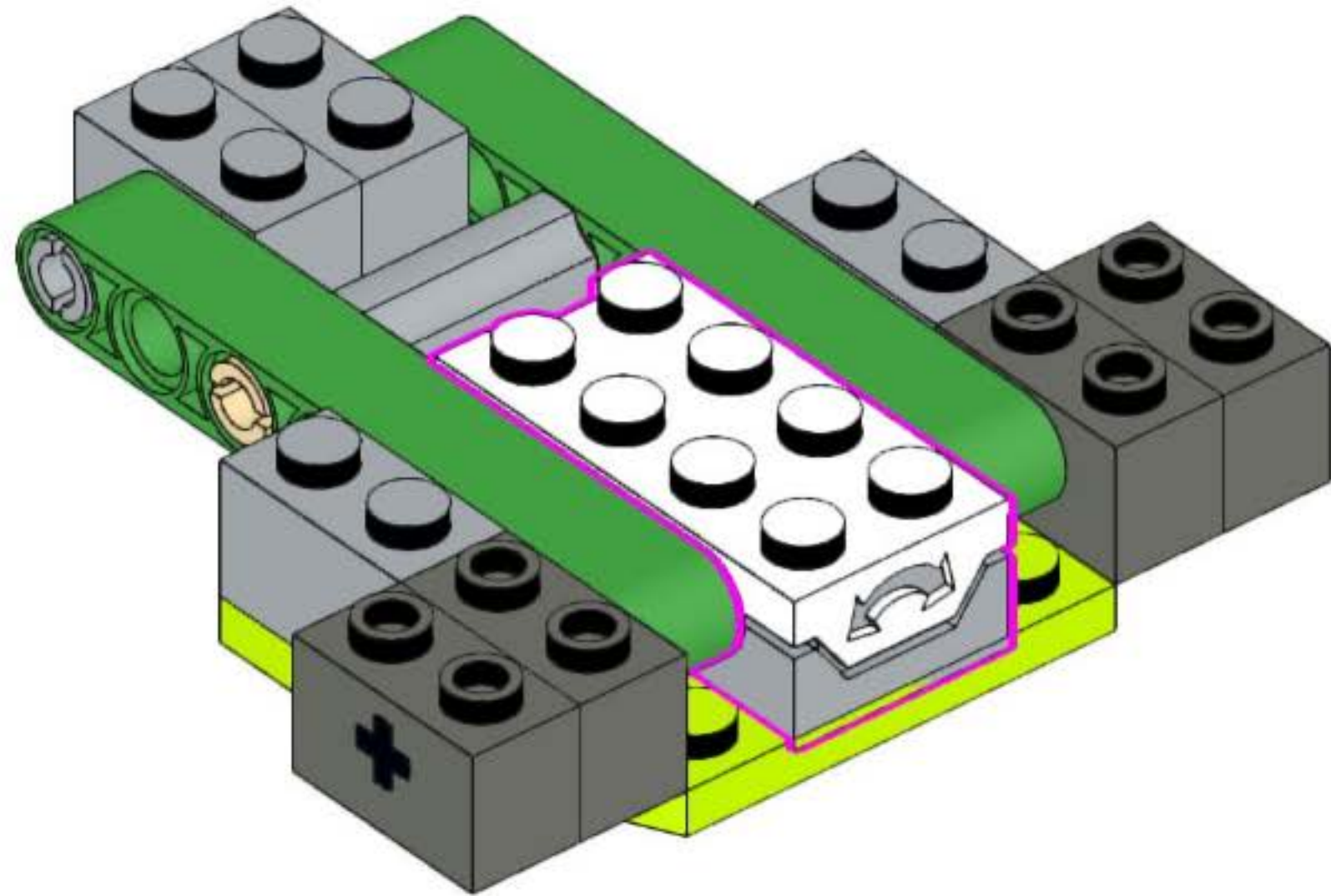
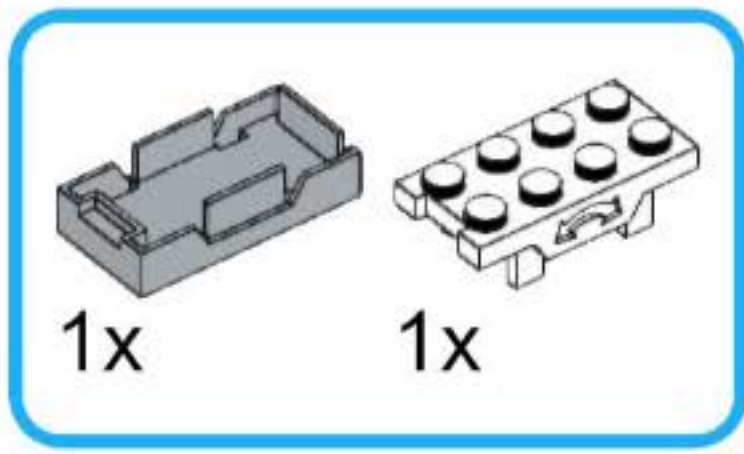


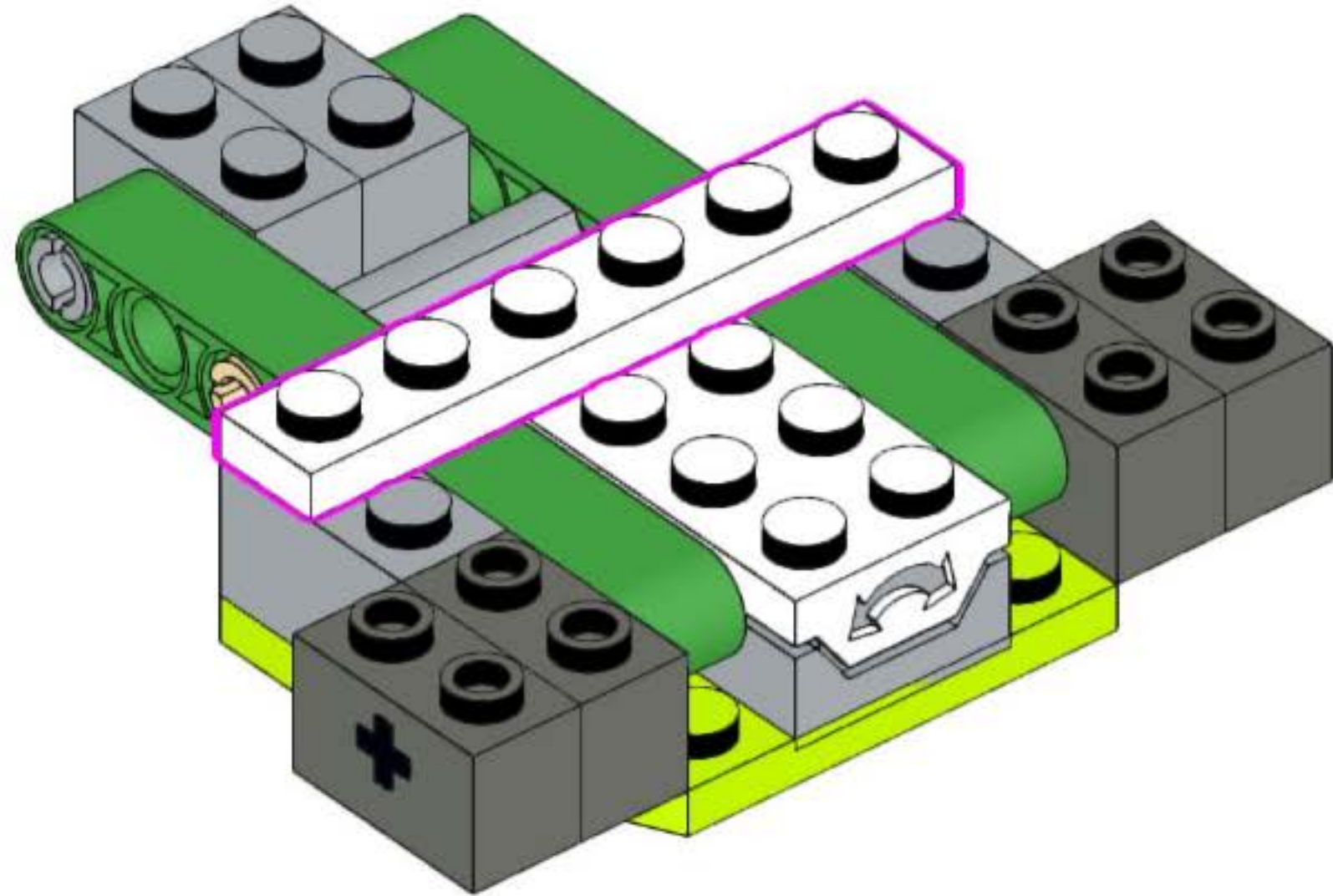
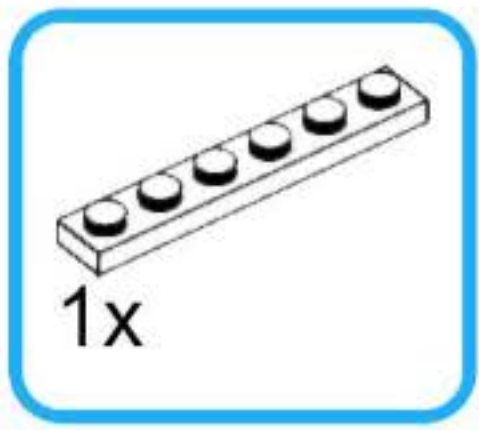


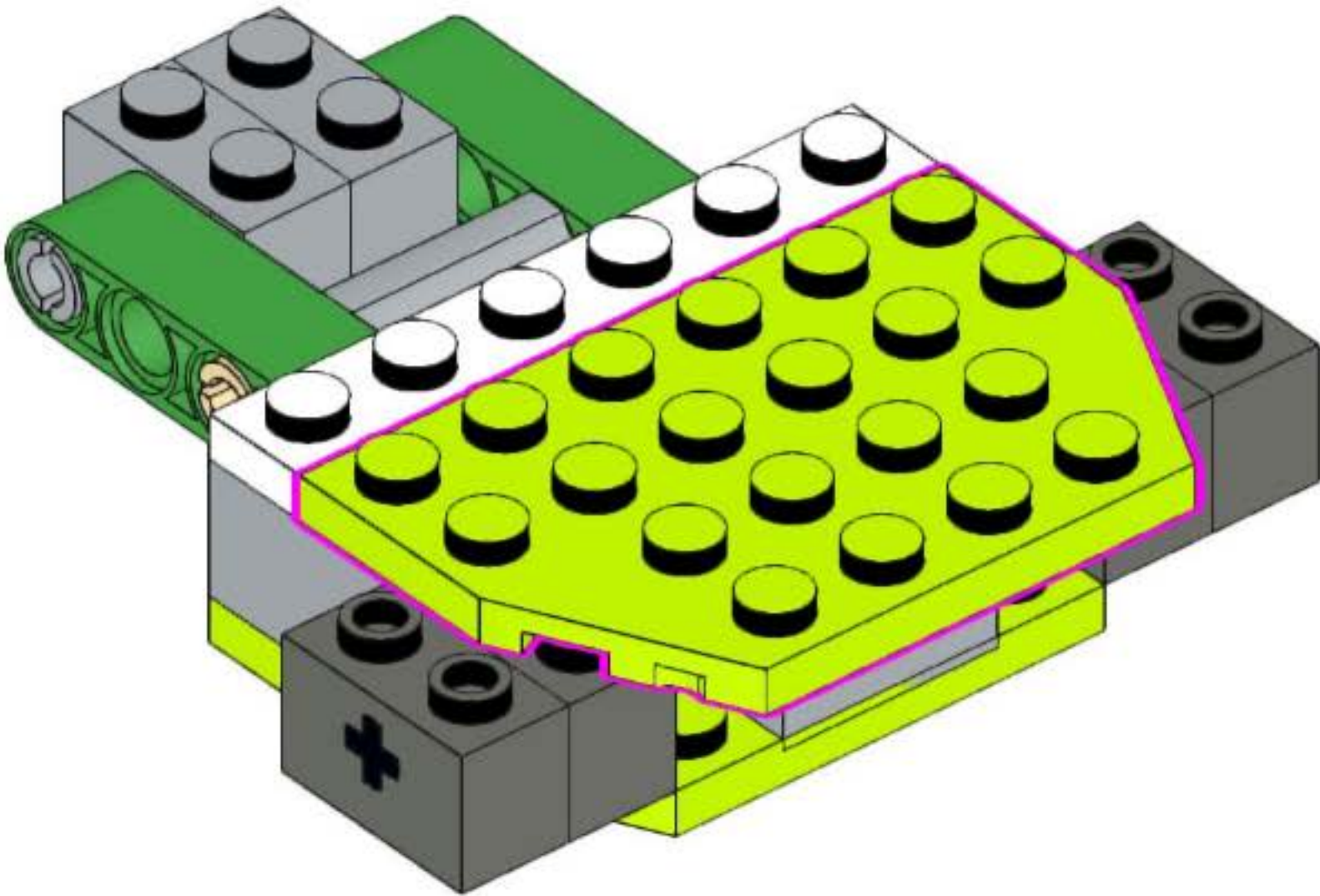
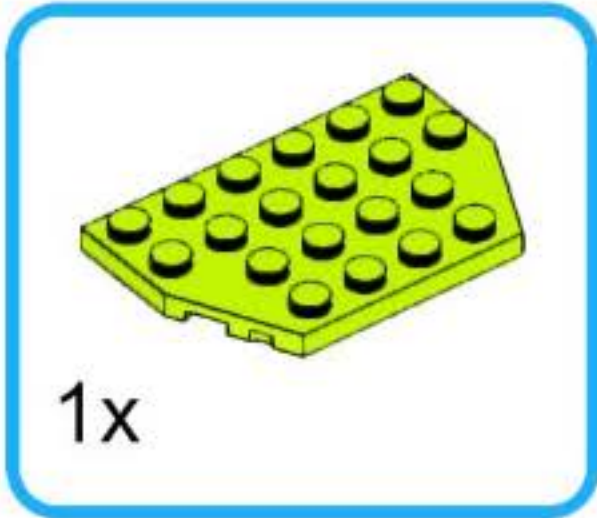


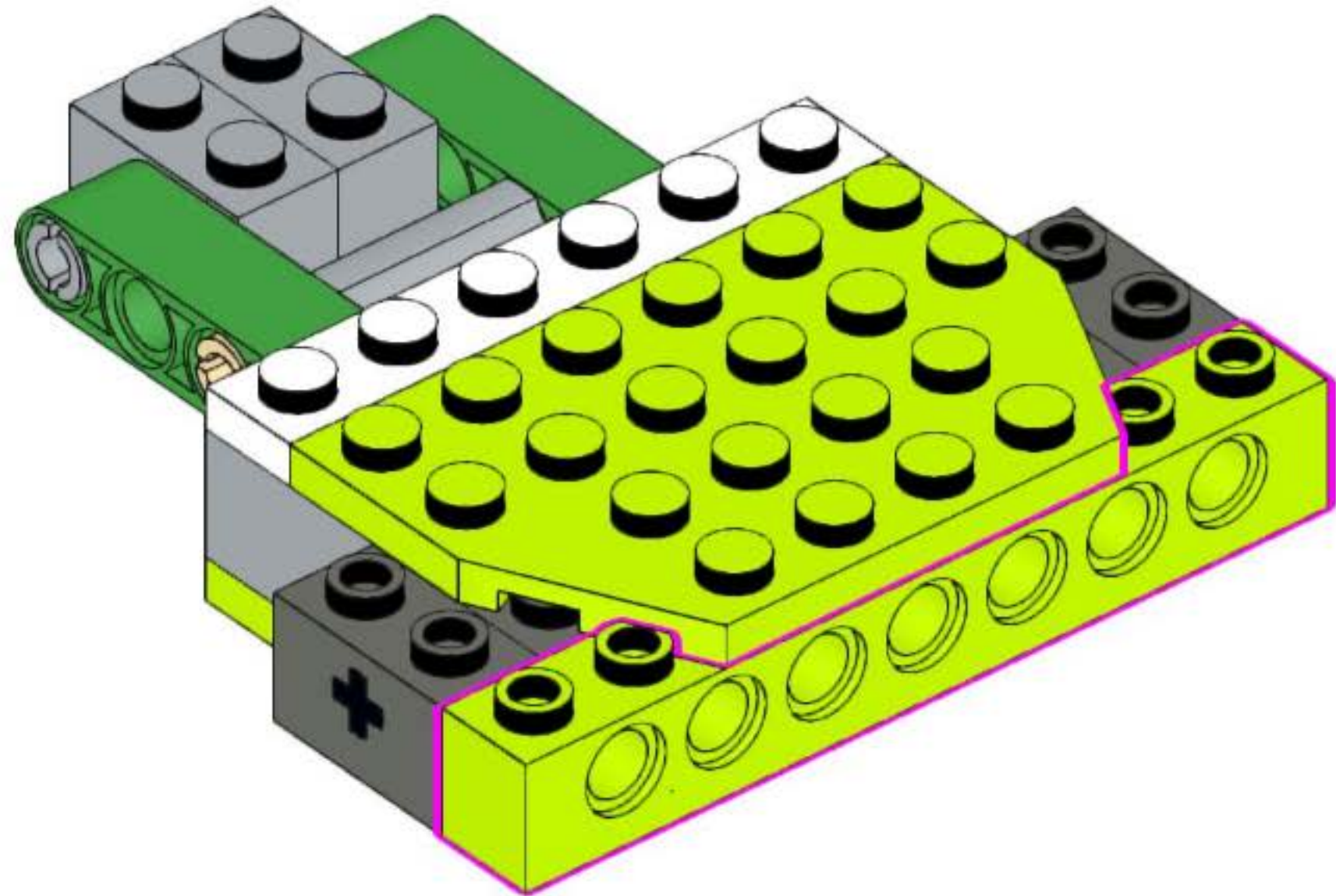
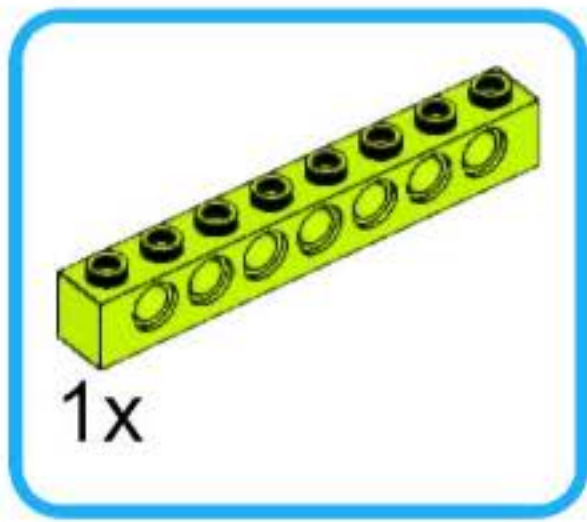


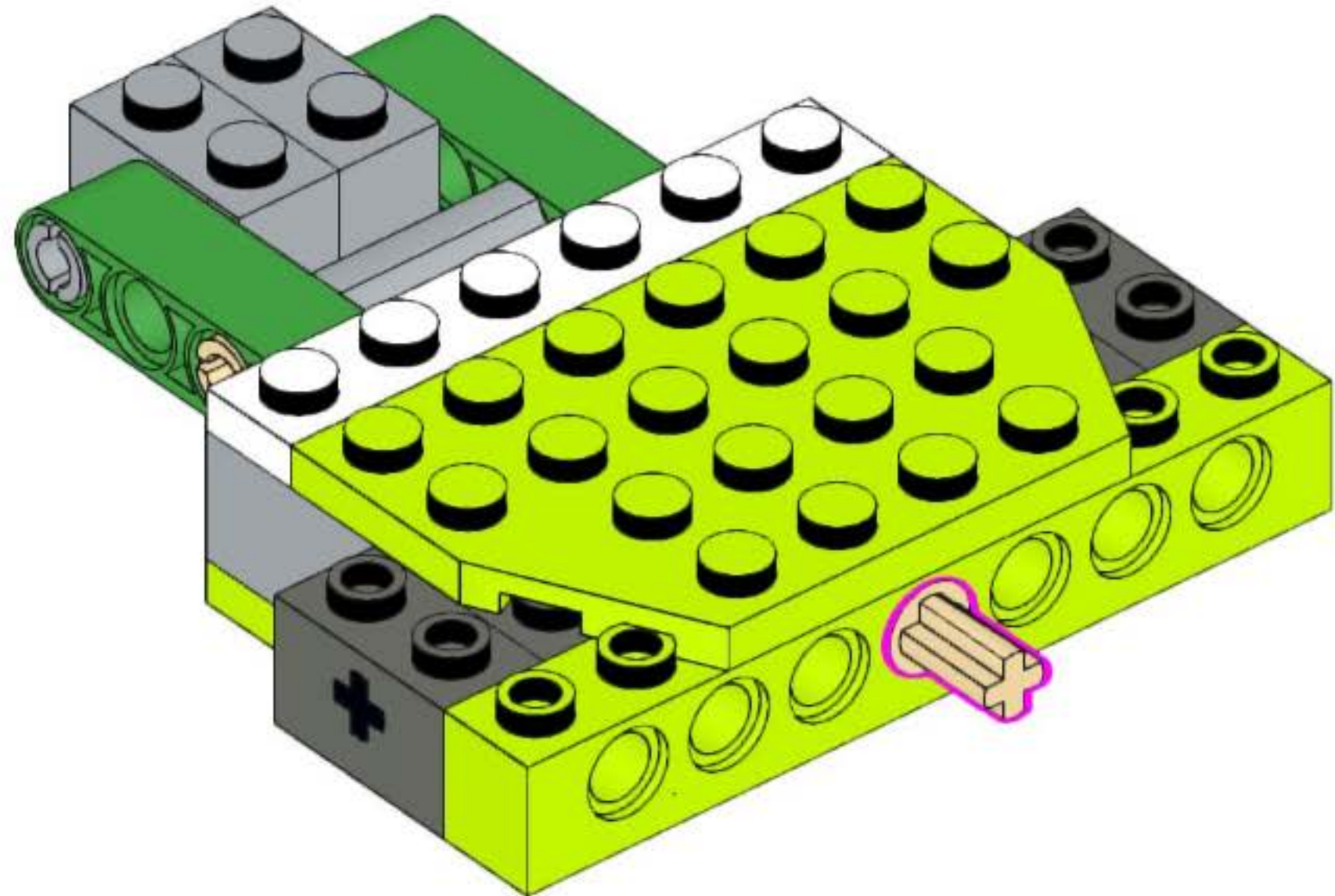
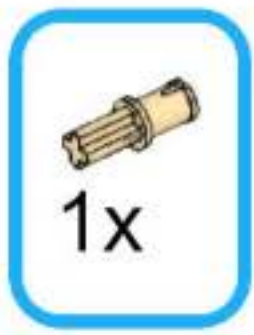




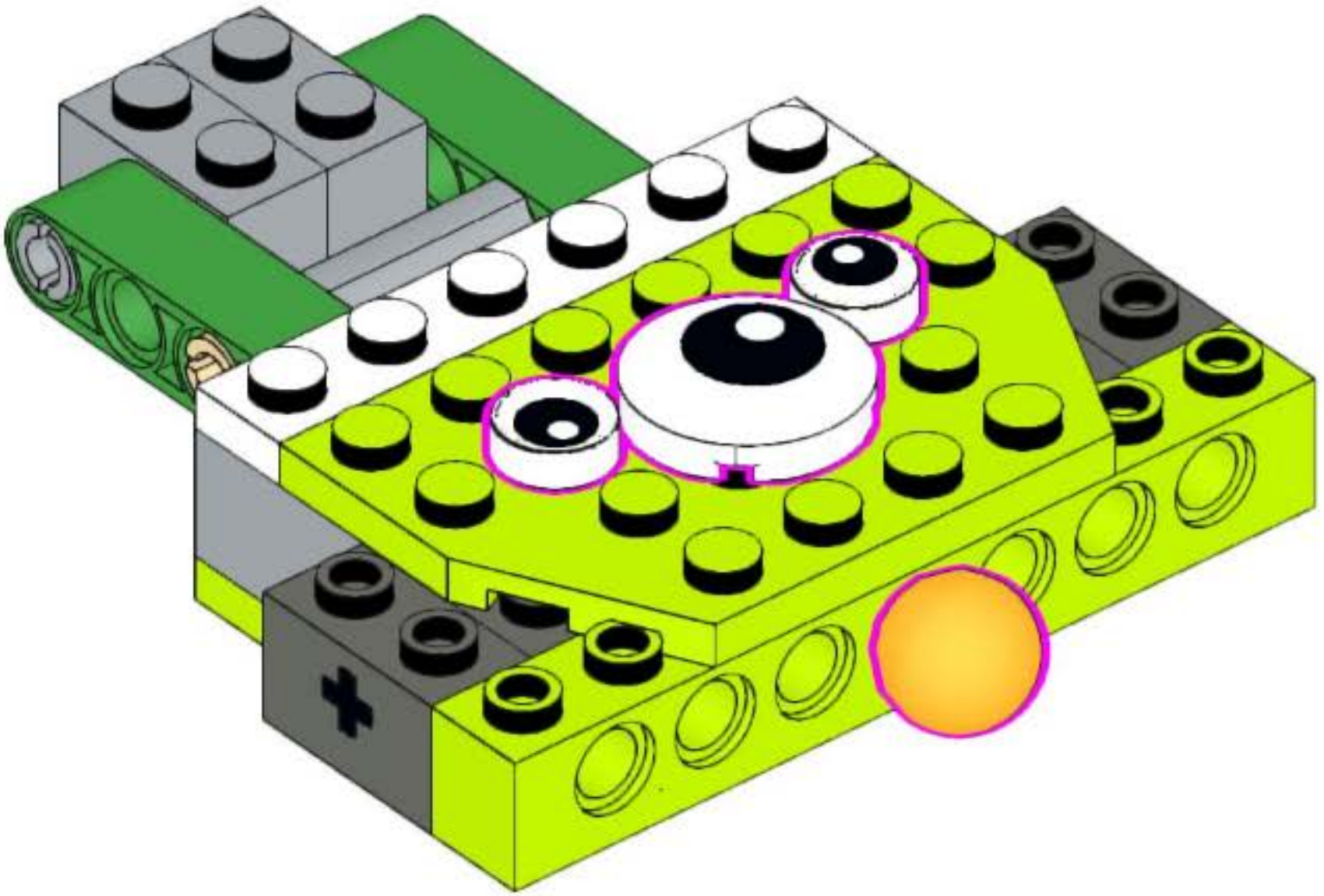
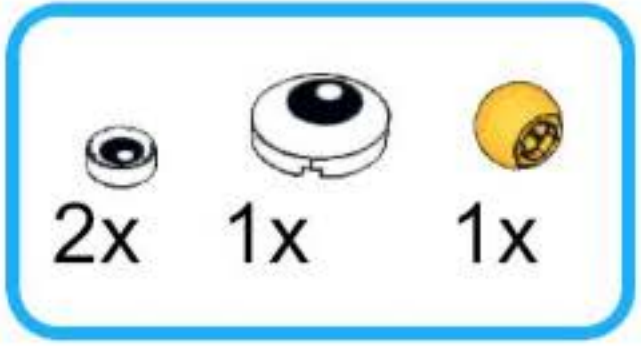


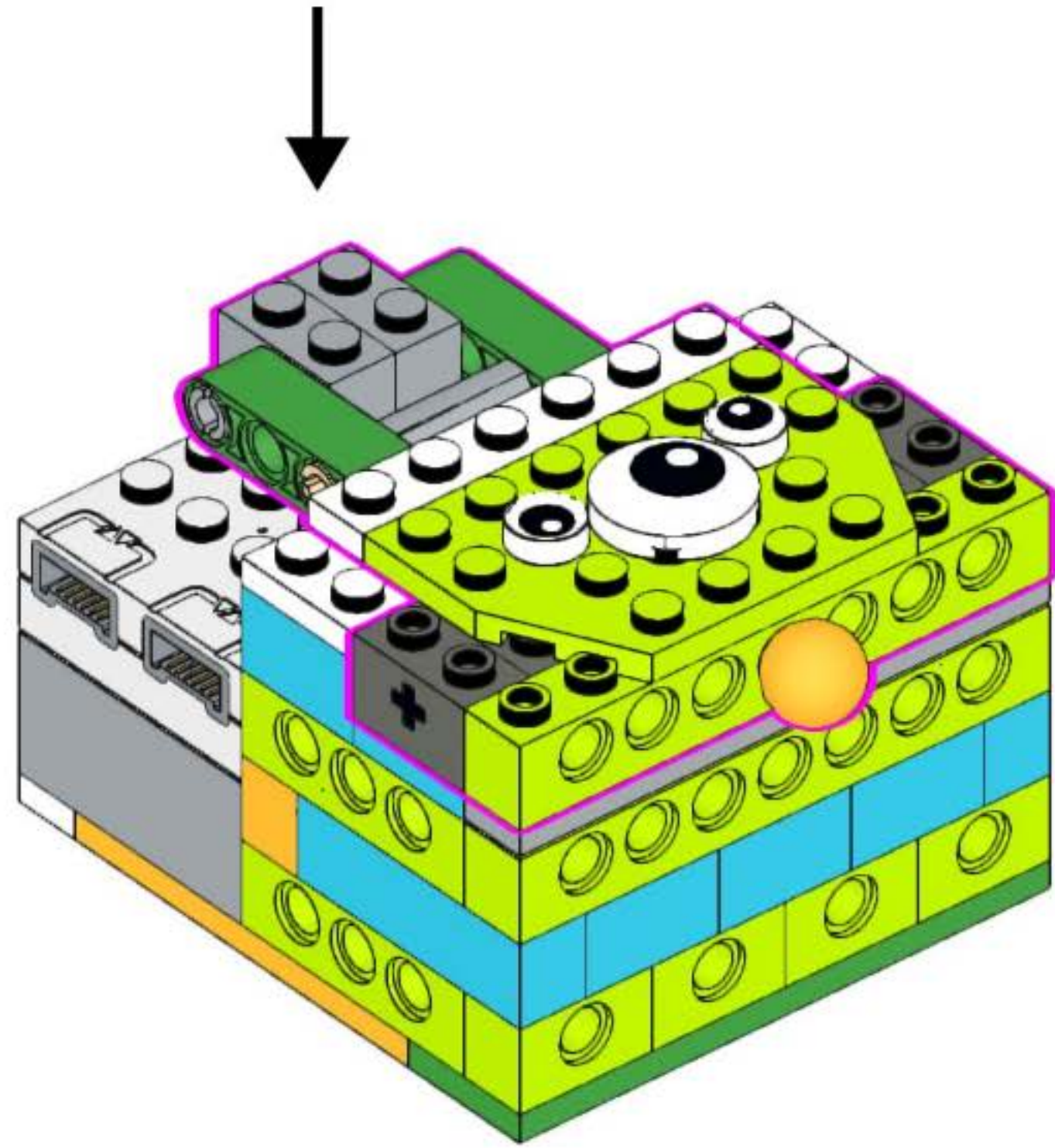


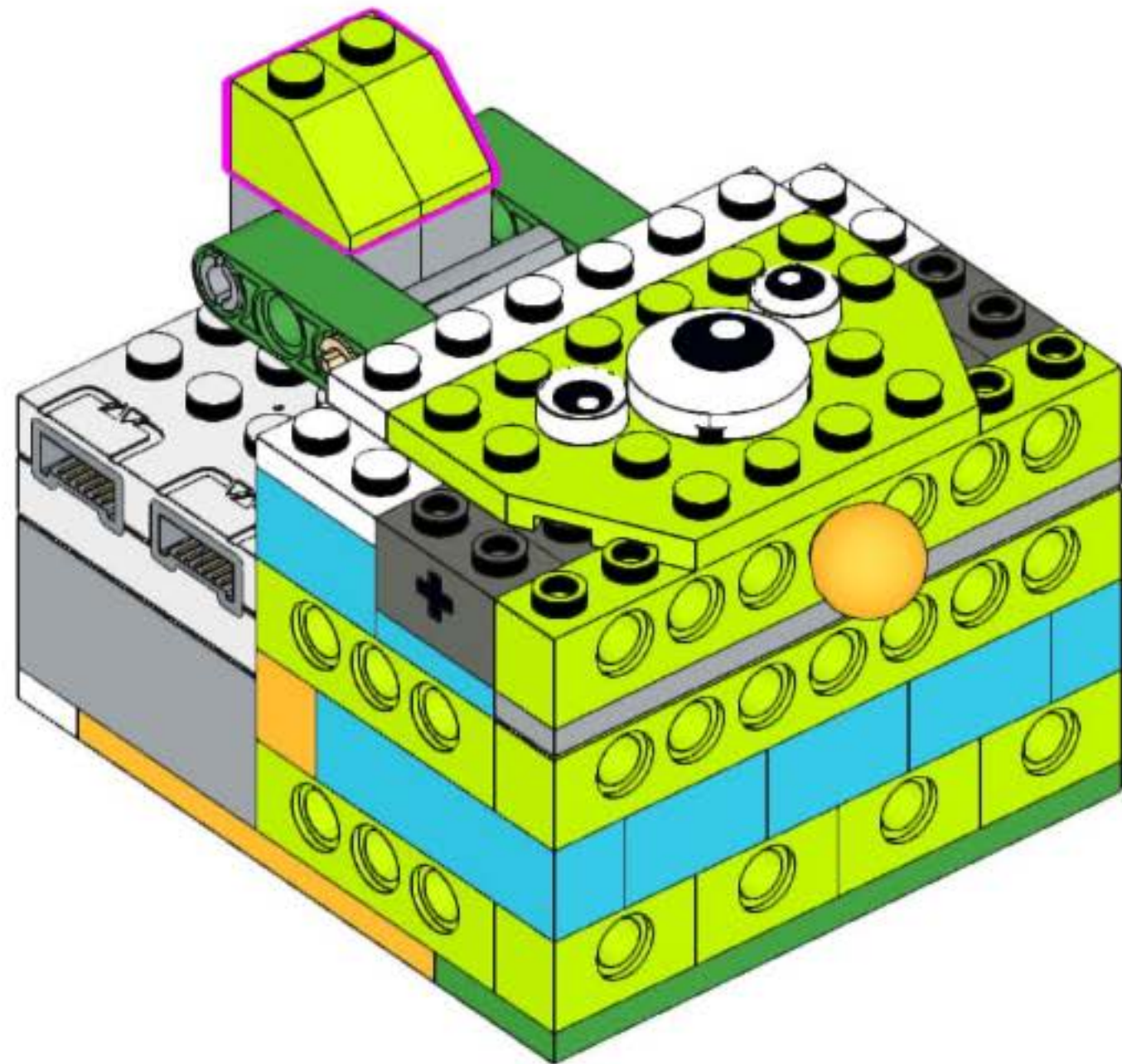
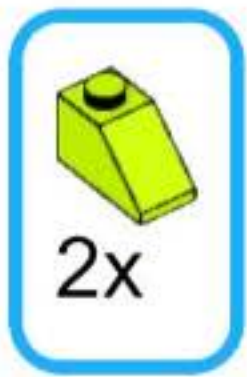


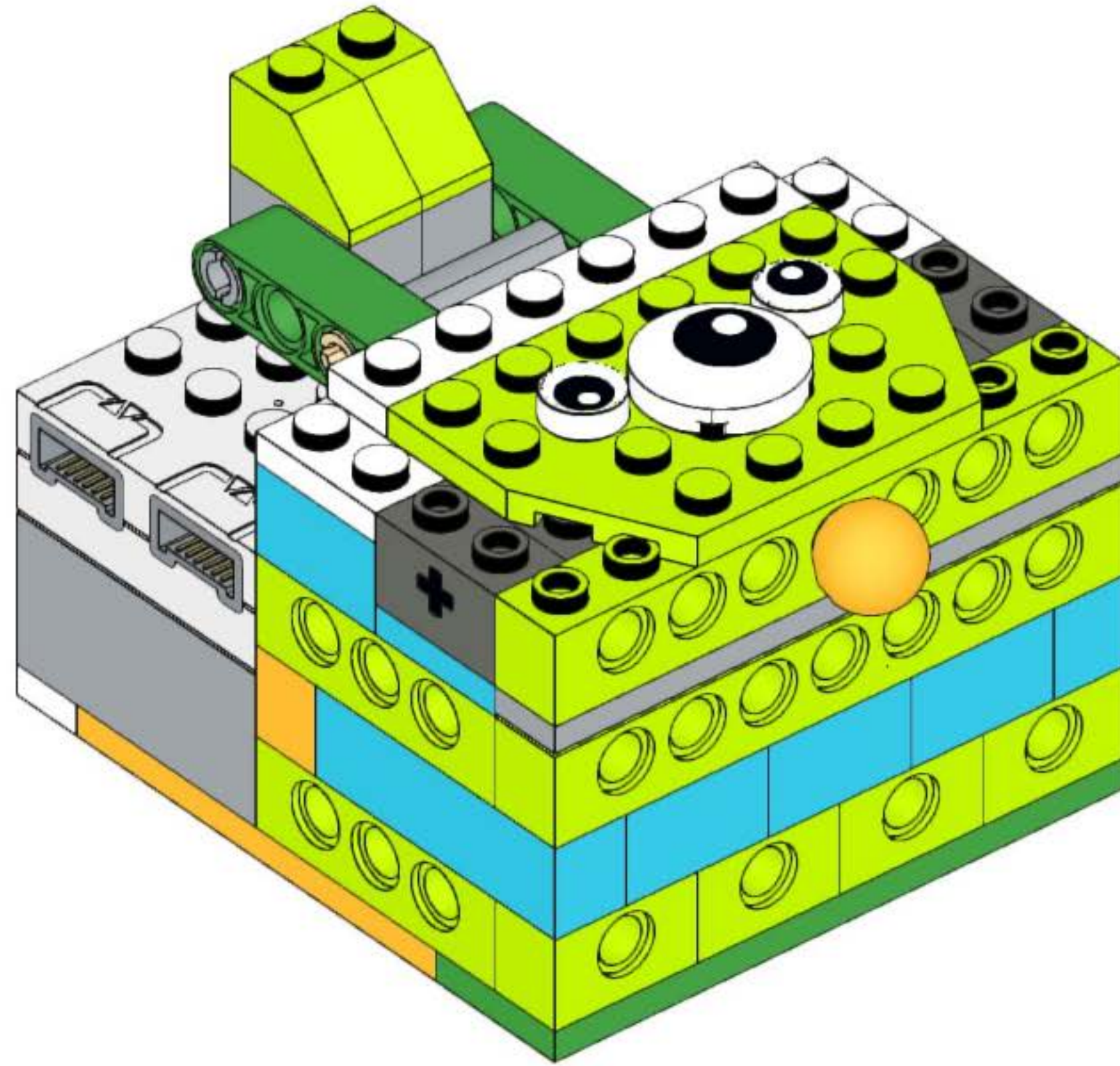


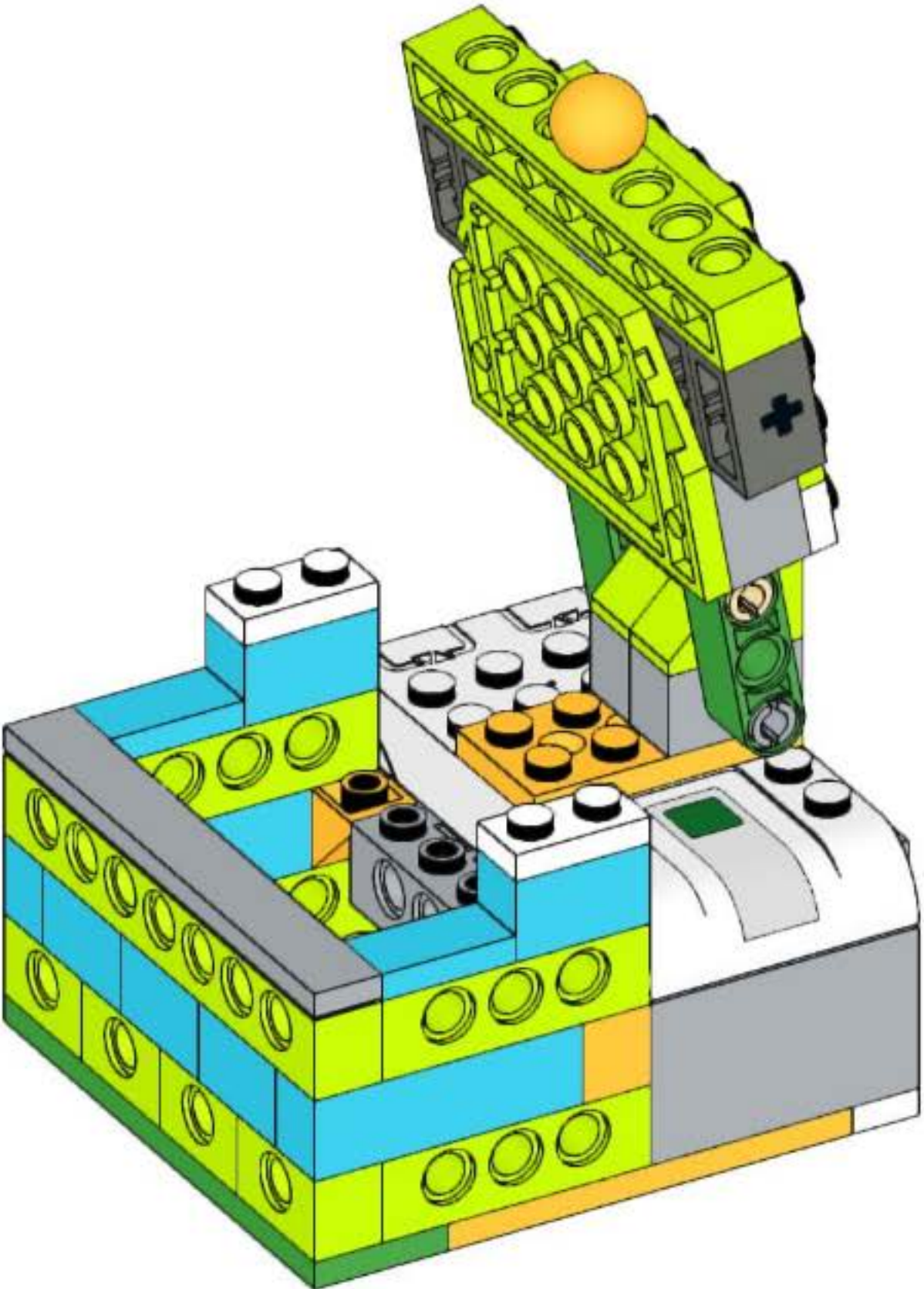
2x 1x 1x











Task 1

To begin with, let's say the task: «the computer should increase the counter by “1” when the lid is opened.»

To create such a program, we will need the block "waiting for the tilt sensor" and the block "increase the number on the screen by 1".



Task 2

Not exactly: the program only worked once. What do you think should be added?

That's right: cycle!



Task 3



The cycle is more fun. But the computer counts all the time while the lid is open. You need him to count once and wait for the lid to close again.

We will add the “tilt sensor standby block” to the straight position, as well as setting the counter at the beginning to 0, so that it is not reset manually.

Now we have taught our robotic candy box to count how many candies we have eaten.



Scratch palette containing various blocks: red speech bubbles, yellow 'say' blocks, yellow 'wait' blocks, yellow 'repeat' blocks, and keyboard/mouse blocks.

***Task 4**

And can we change the program so that the counter shows how many candies are left in the box?