

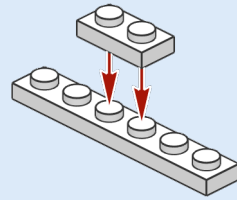
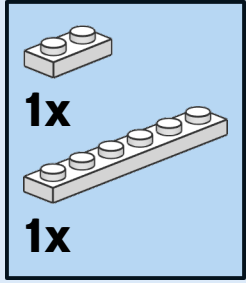
ZigZag

Daniele Benedettelli - 2018

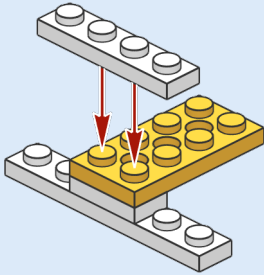
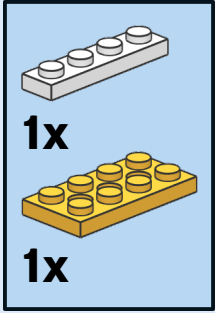
Build it with the
WeDo 2.0 set #45300



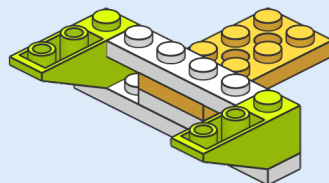
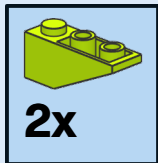
1



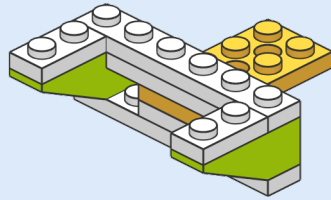
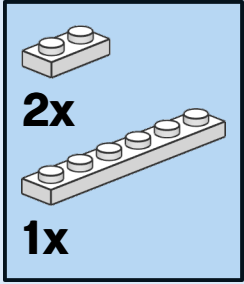
2



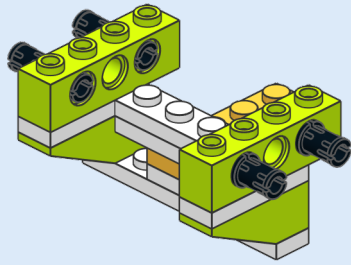
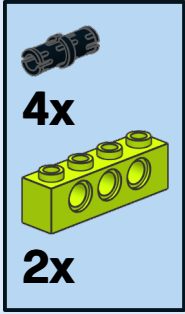
3



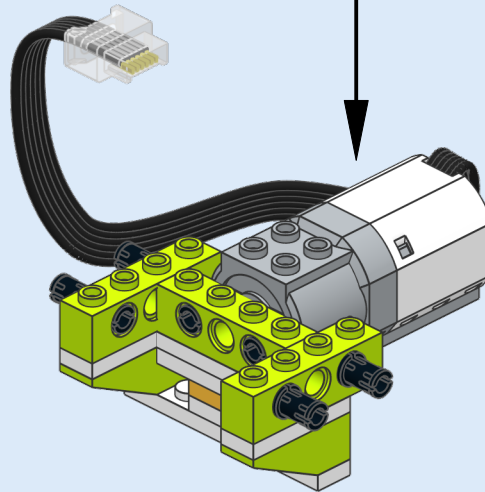
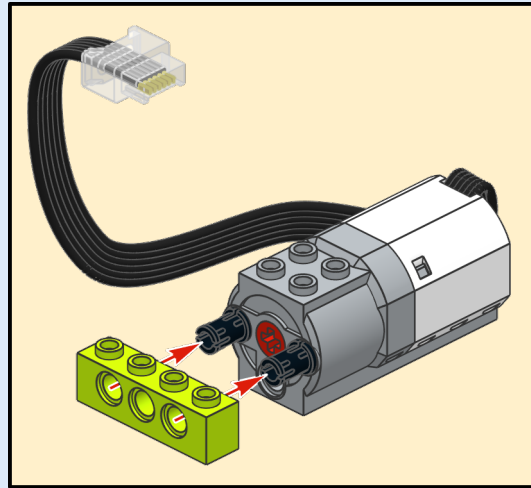
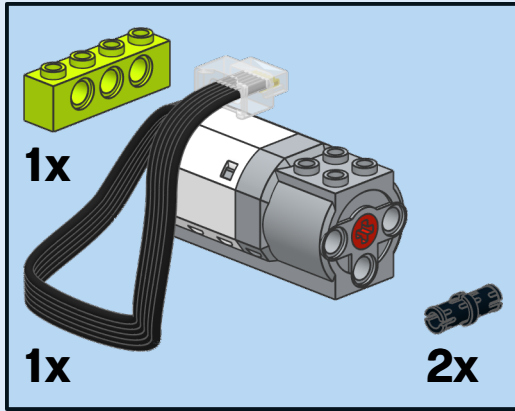
4



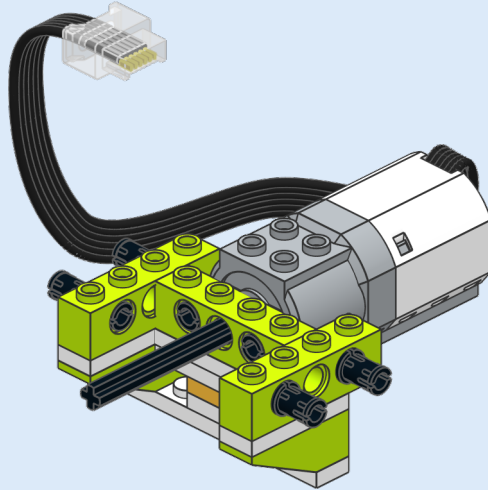
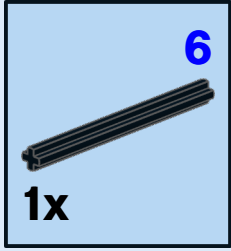
5



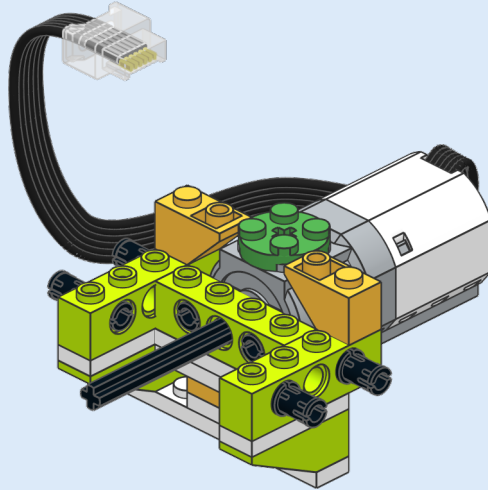
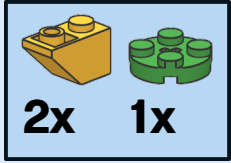
6



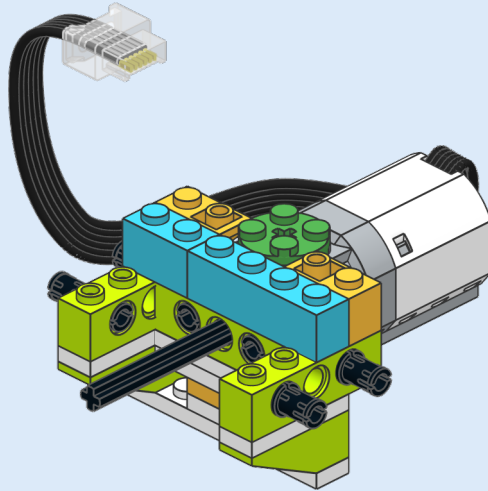
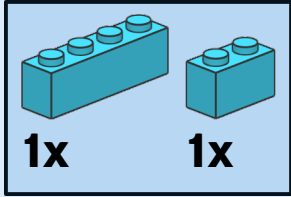
7



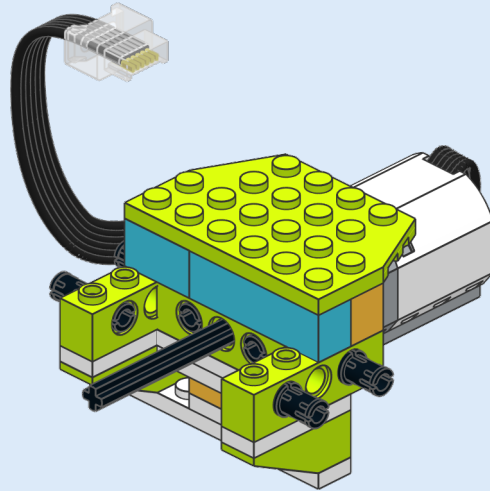
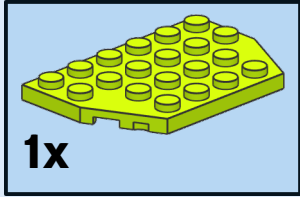
8



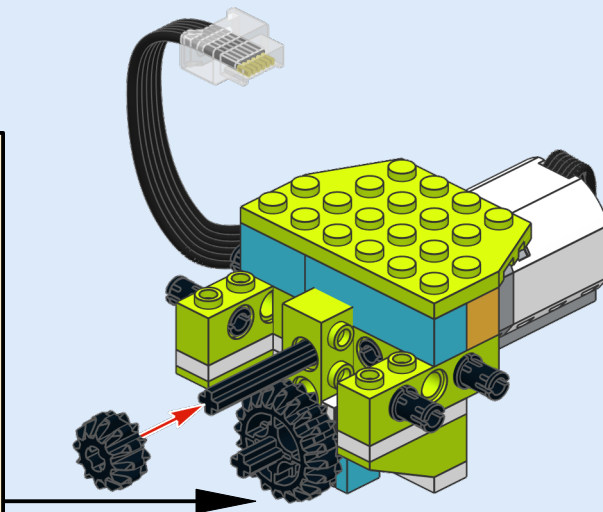
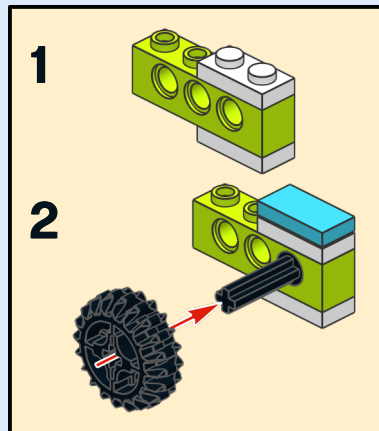
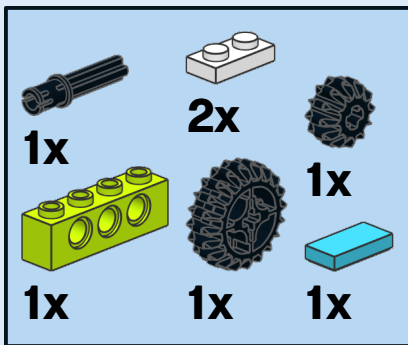
9



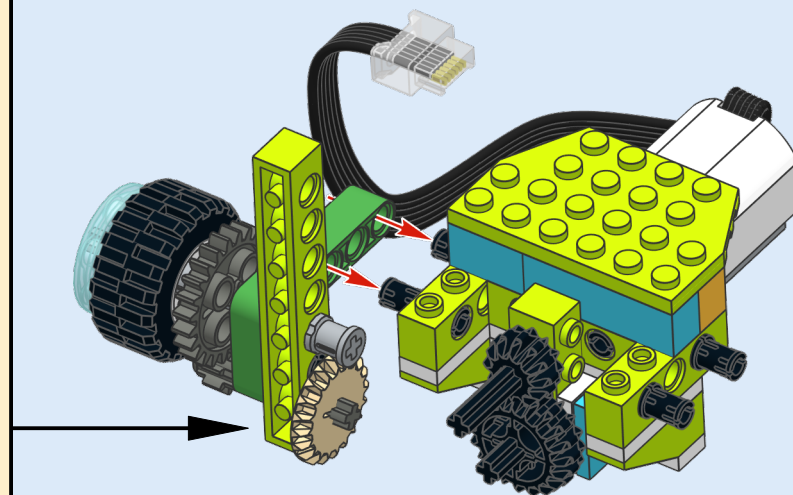
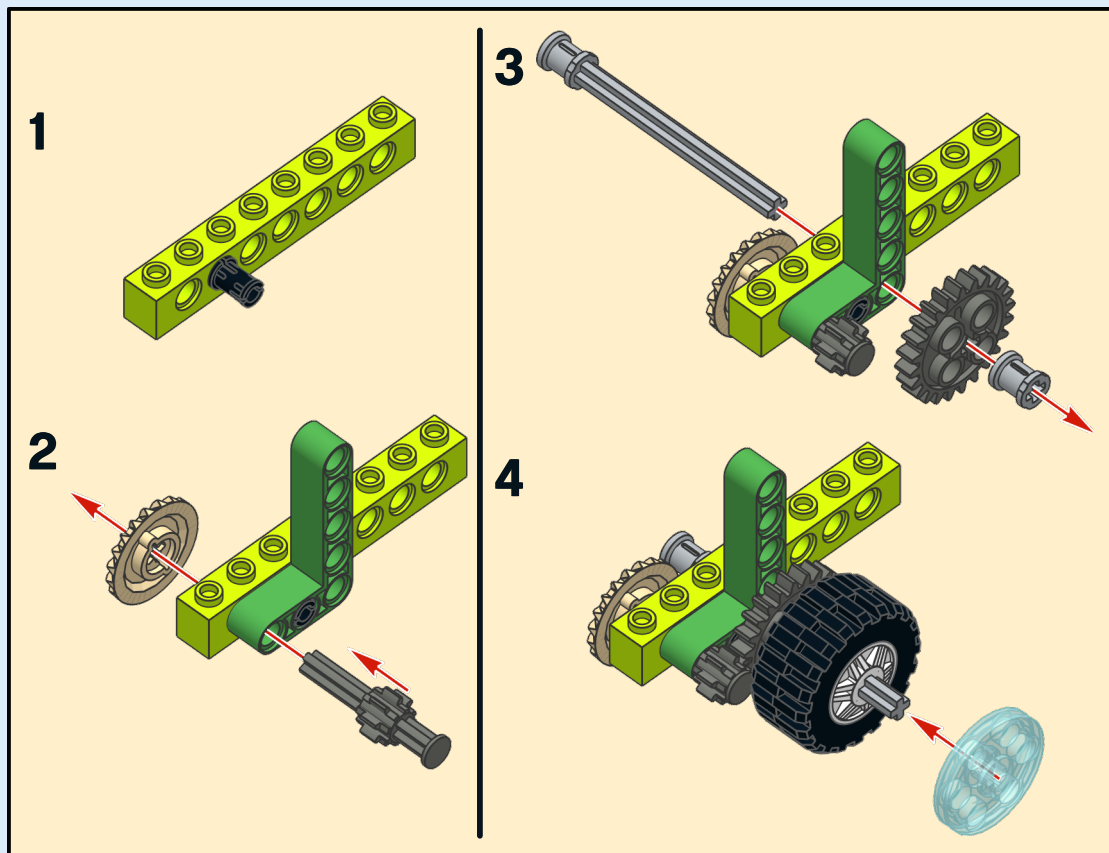
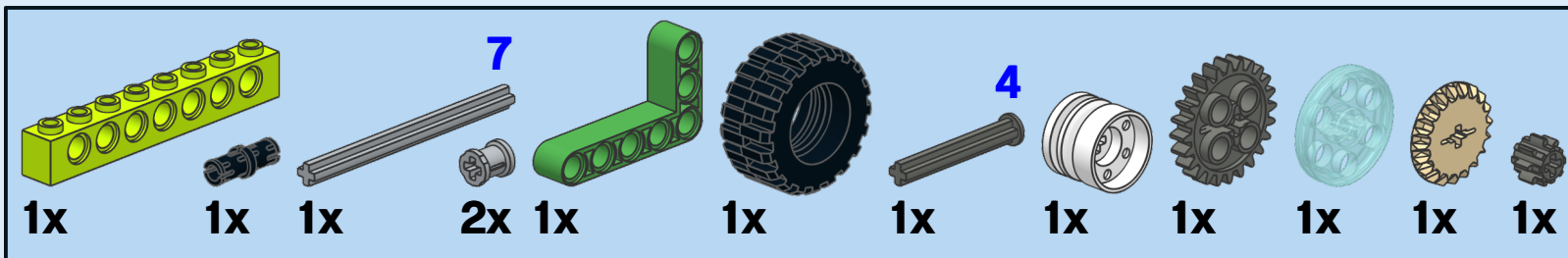
10



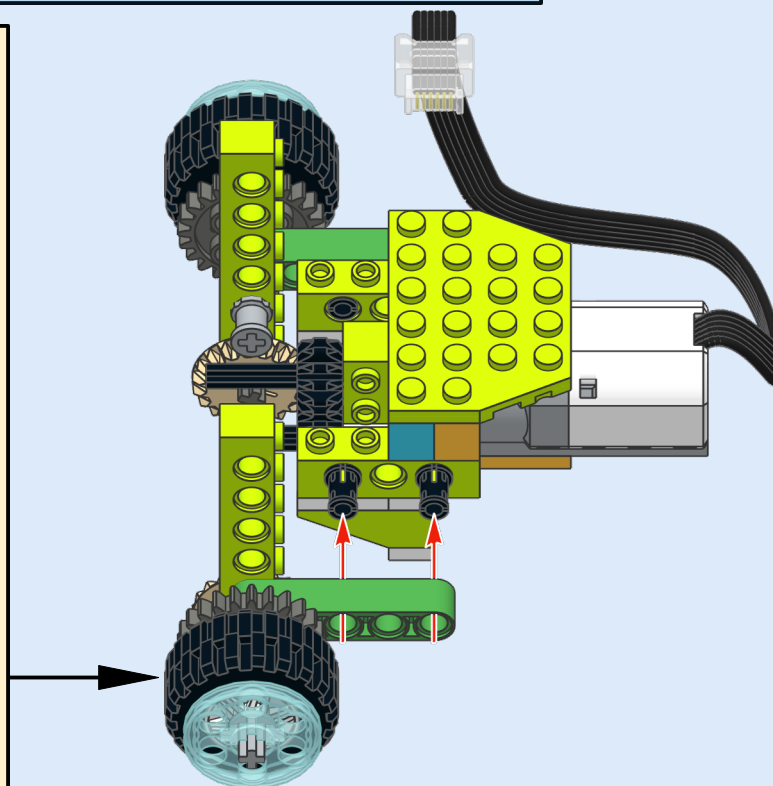
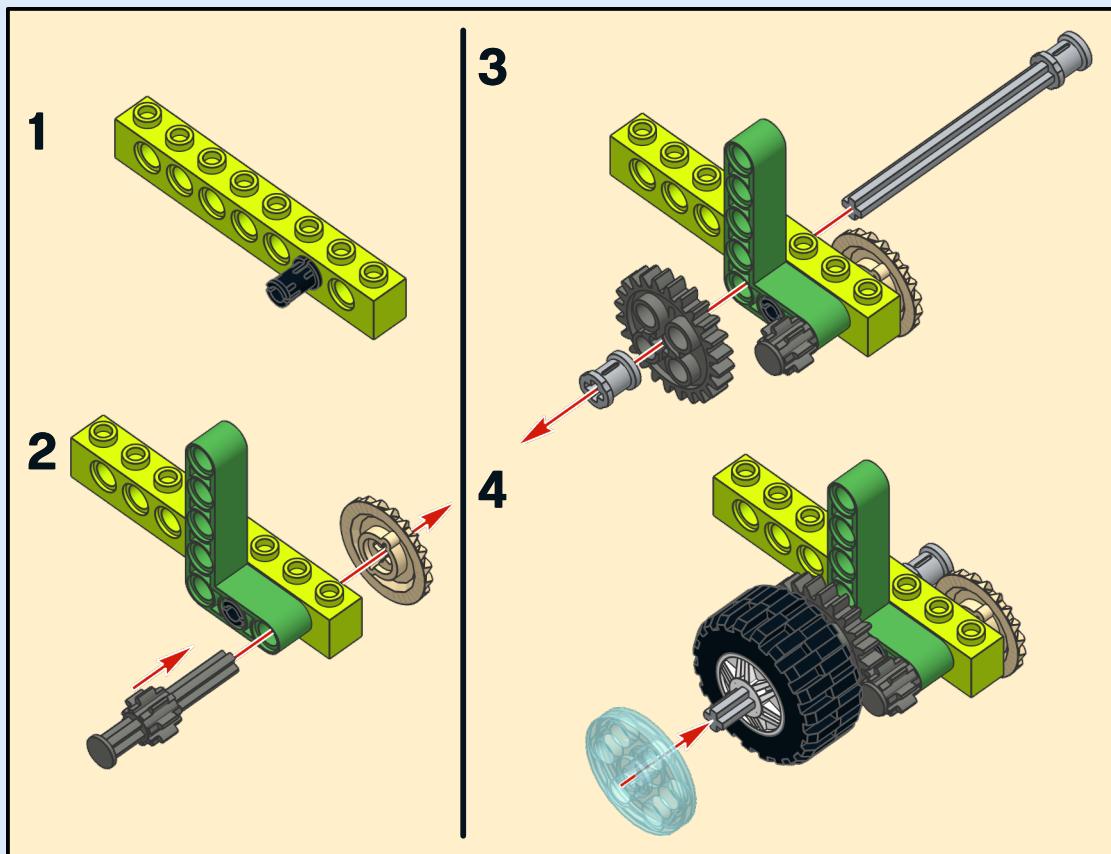
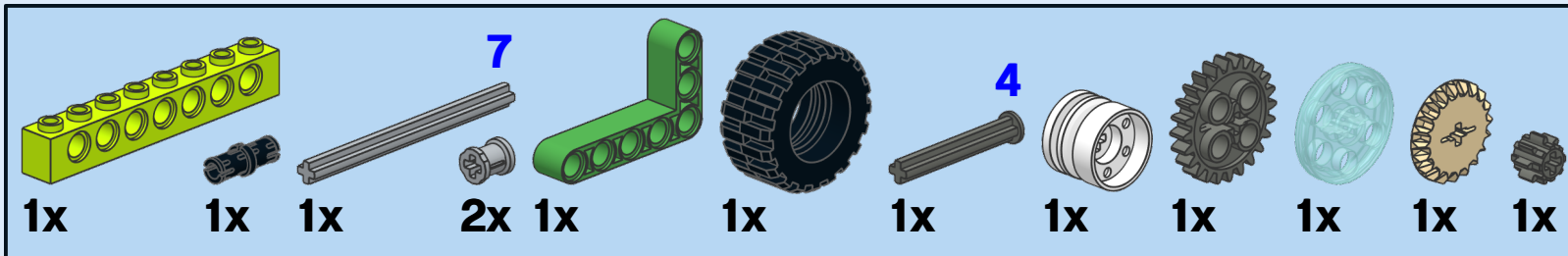
11



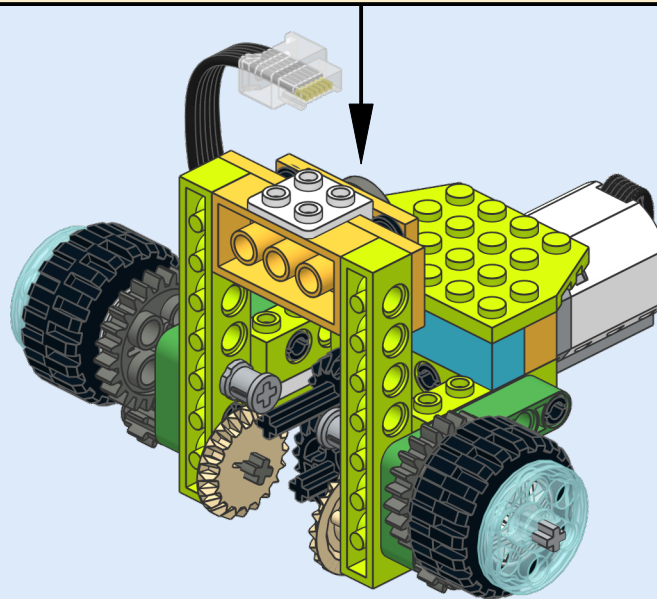
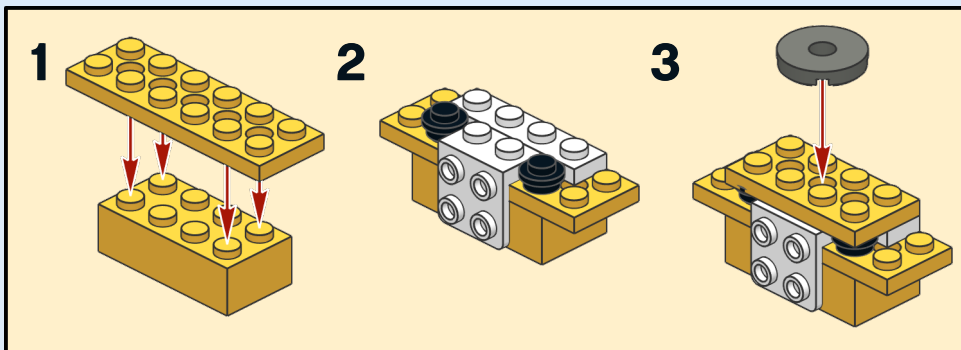
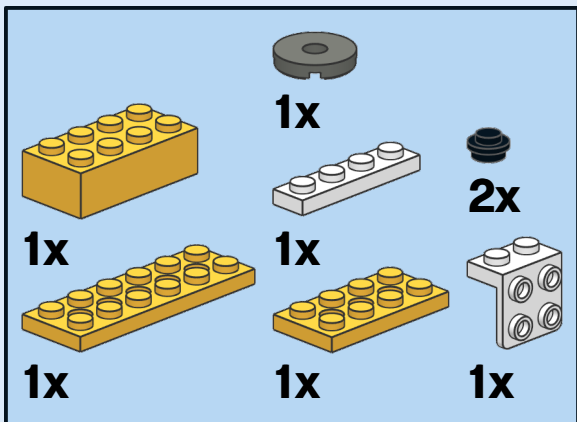
12



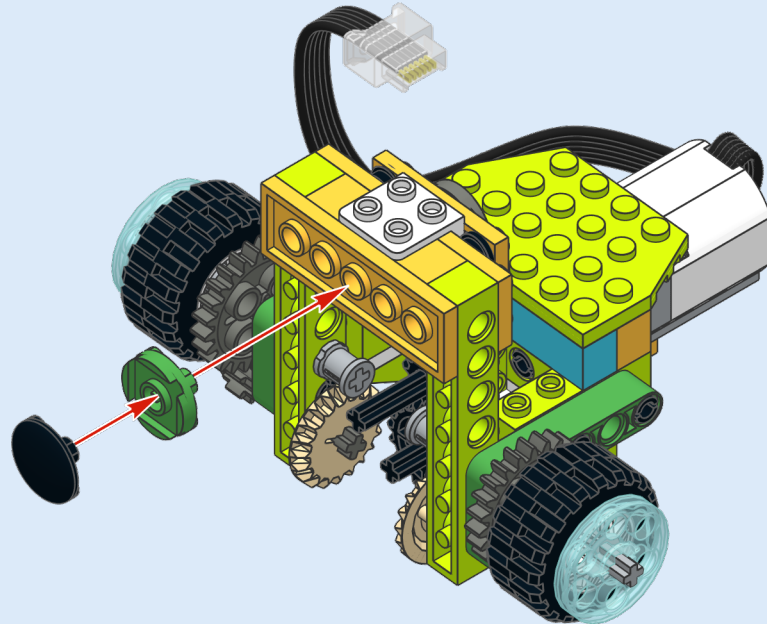
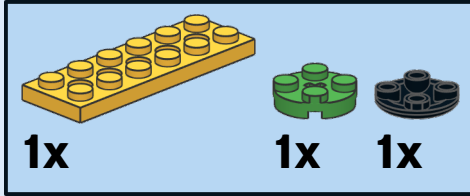
13



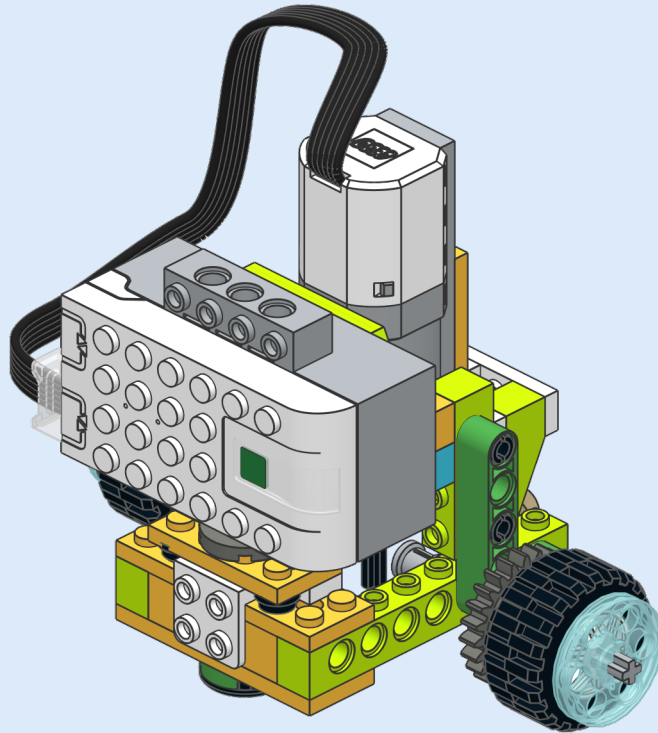
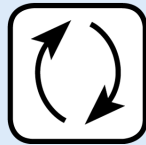
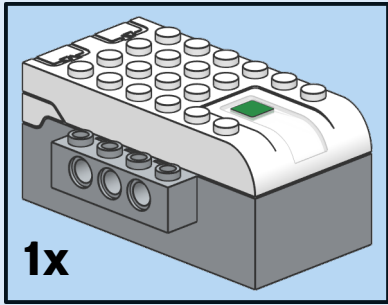
14



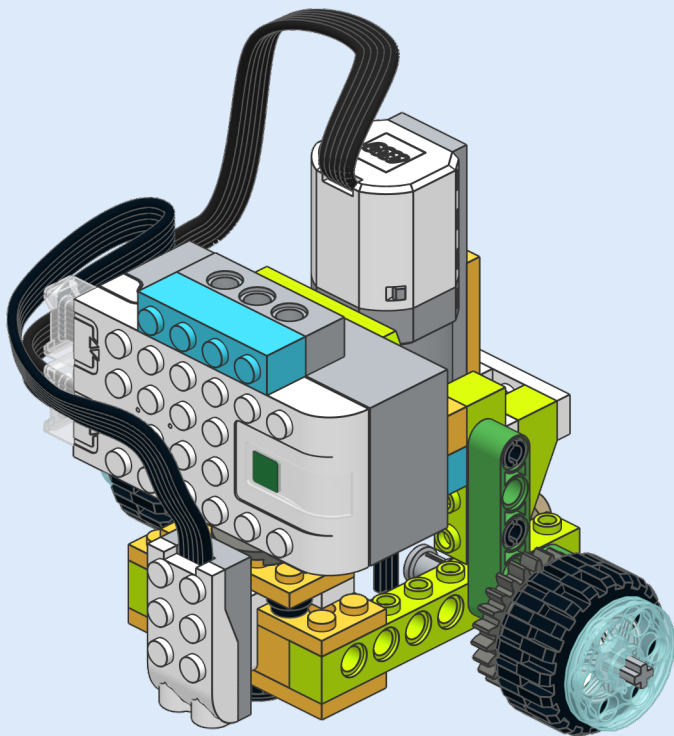
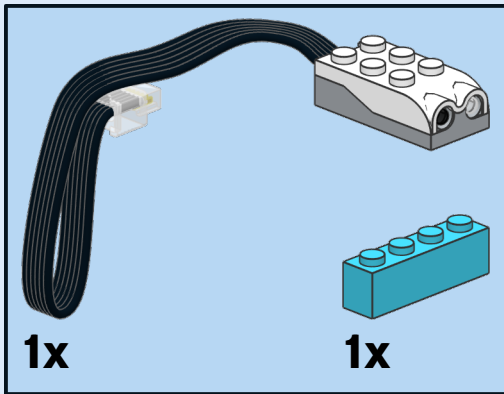
15



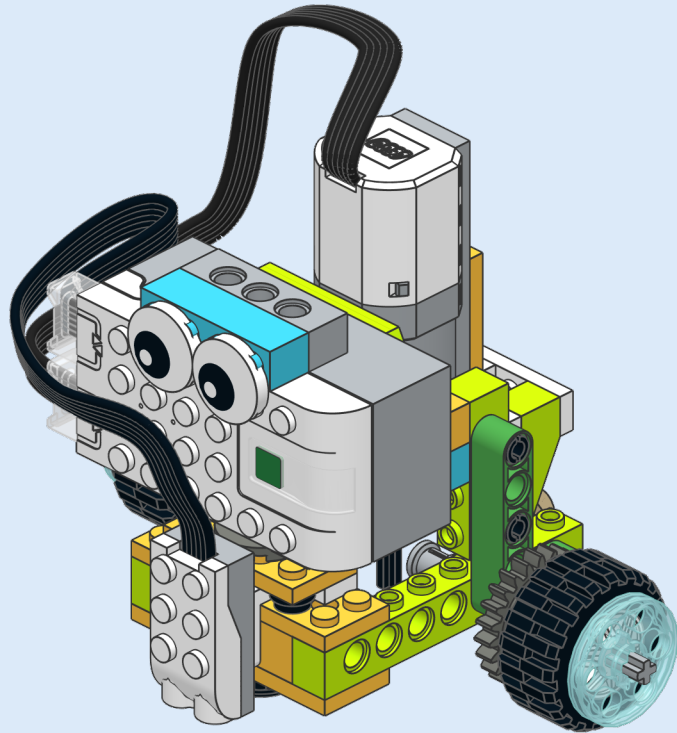
16



17



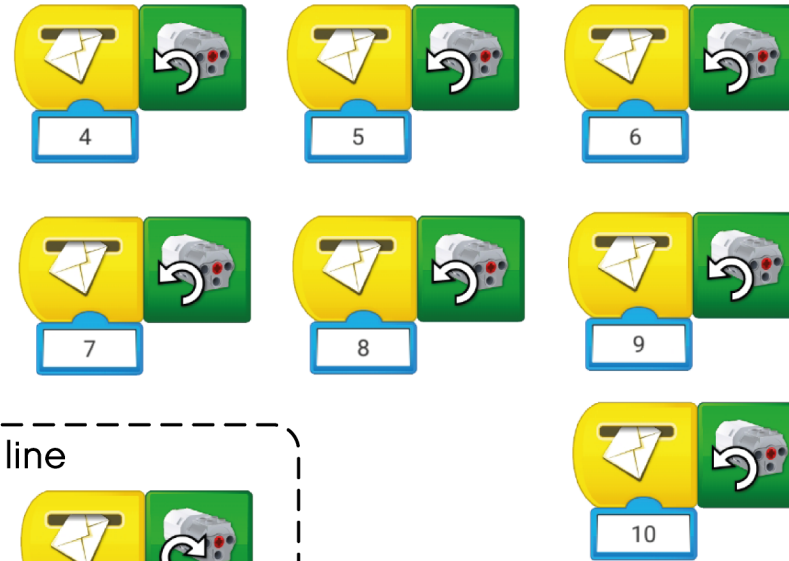
18



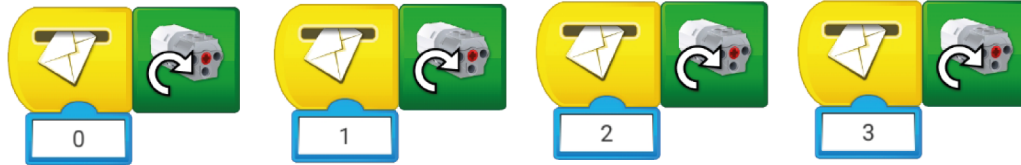
Line follower program



detecting dark line: steer towards white surface



detecting white surface: steer towards the line



Remote control program

