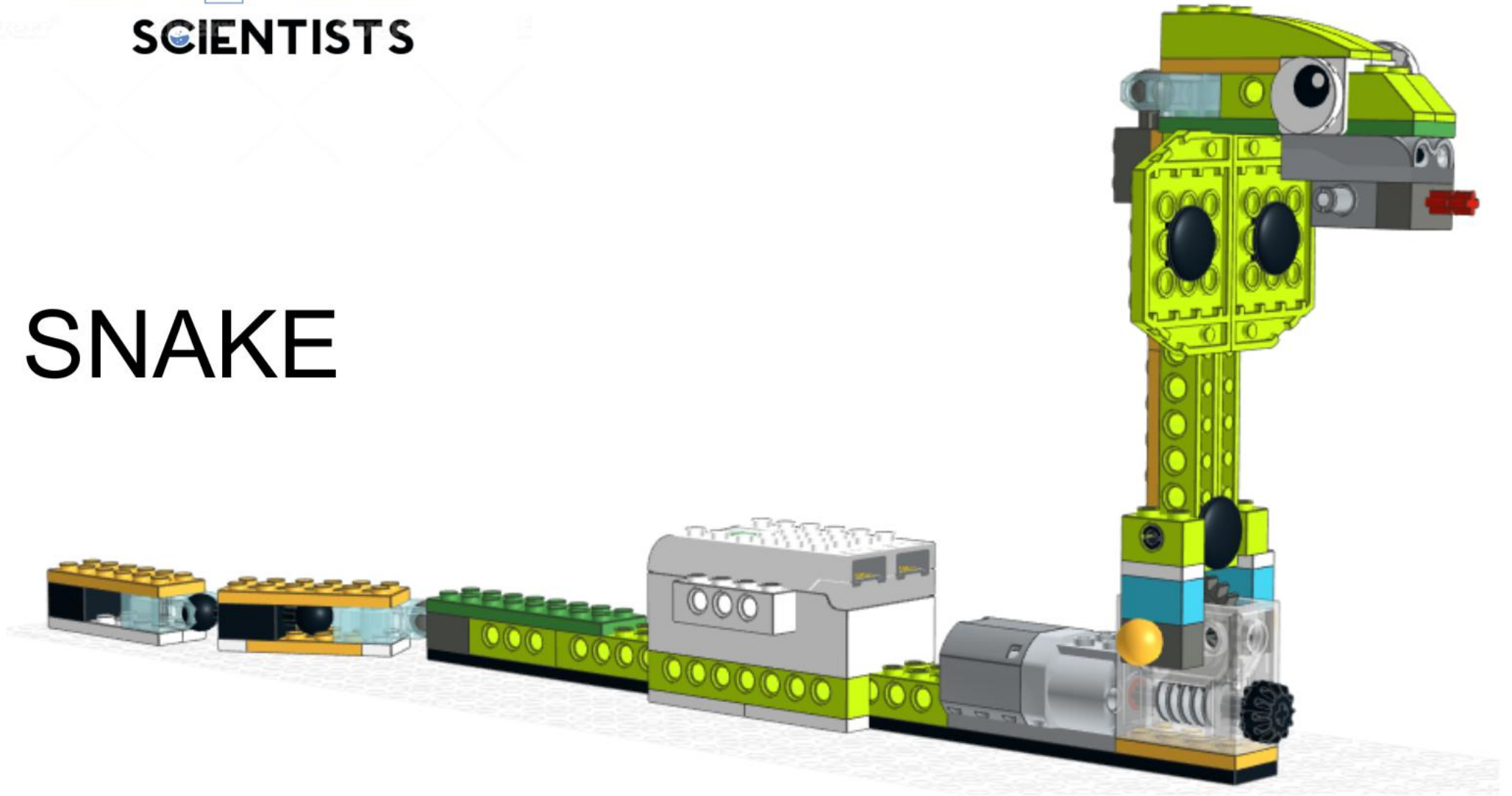
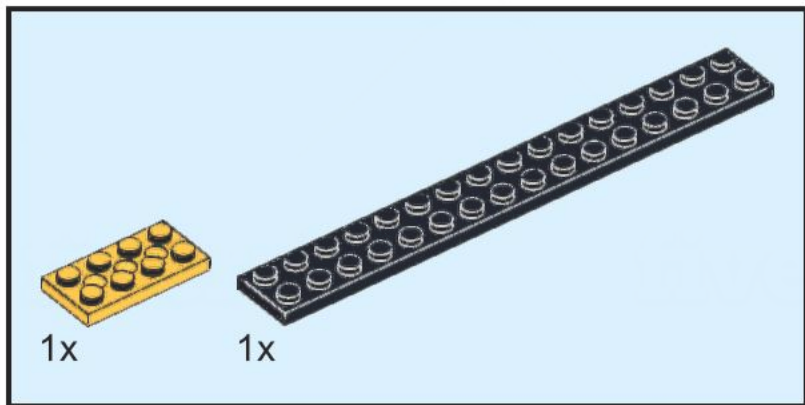




SNAKE

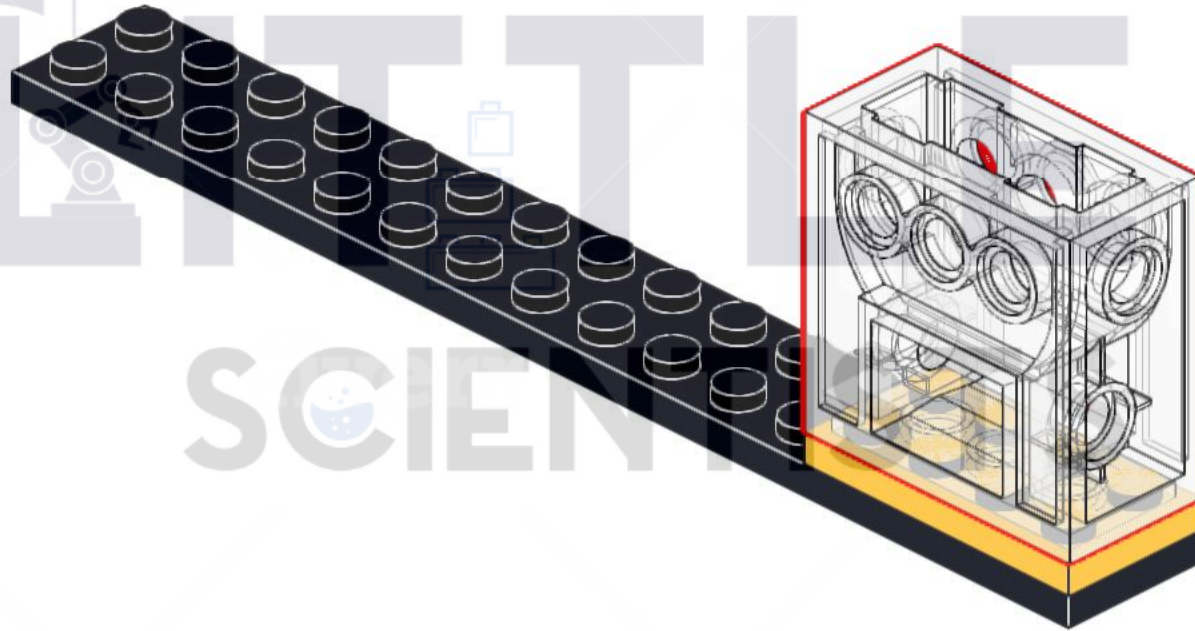
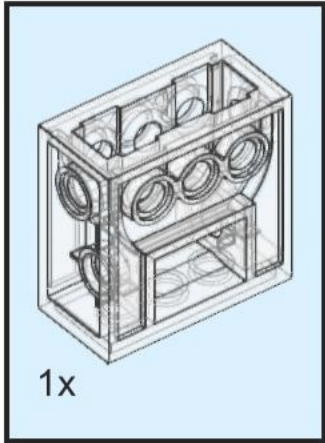


1

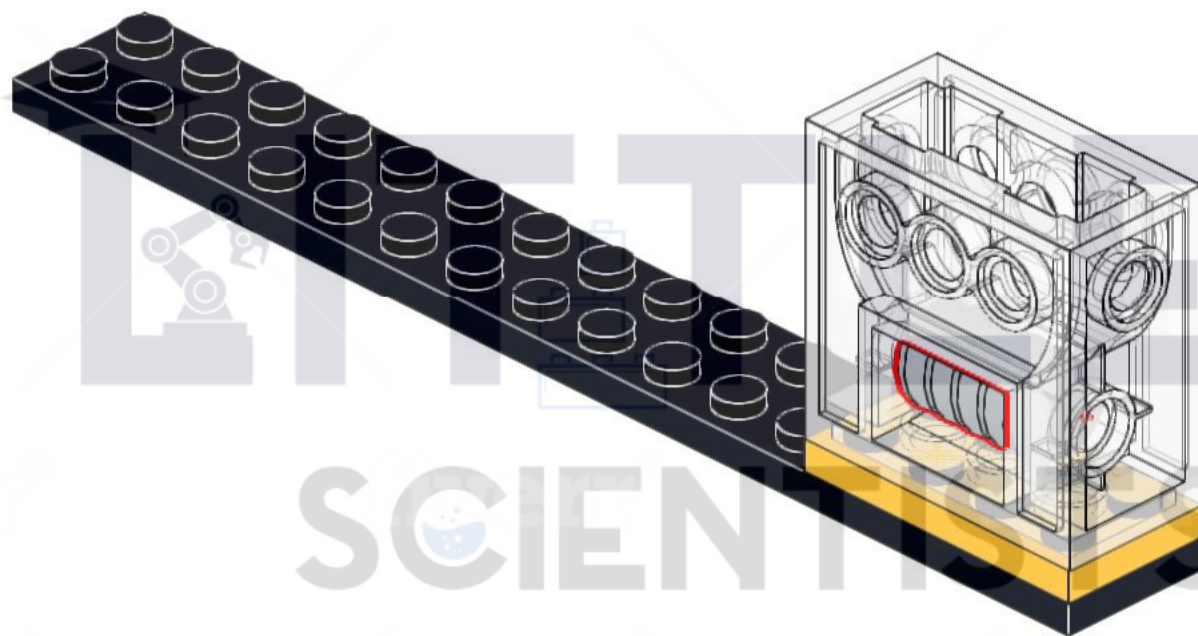
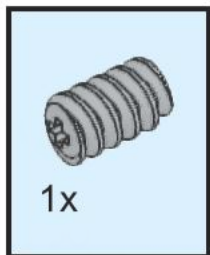


LITTLE SCIENTISTS

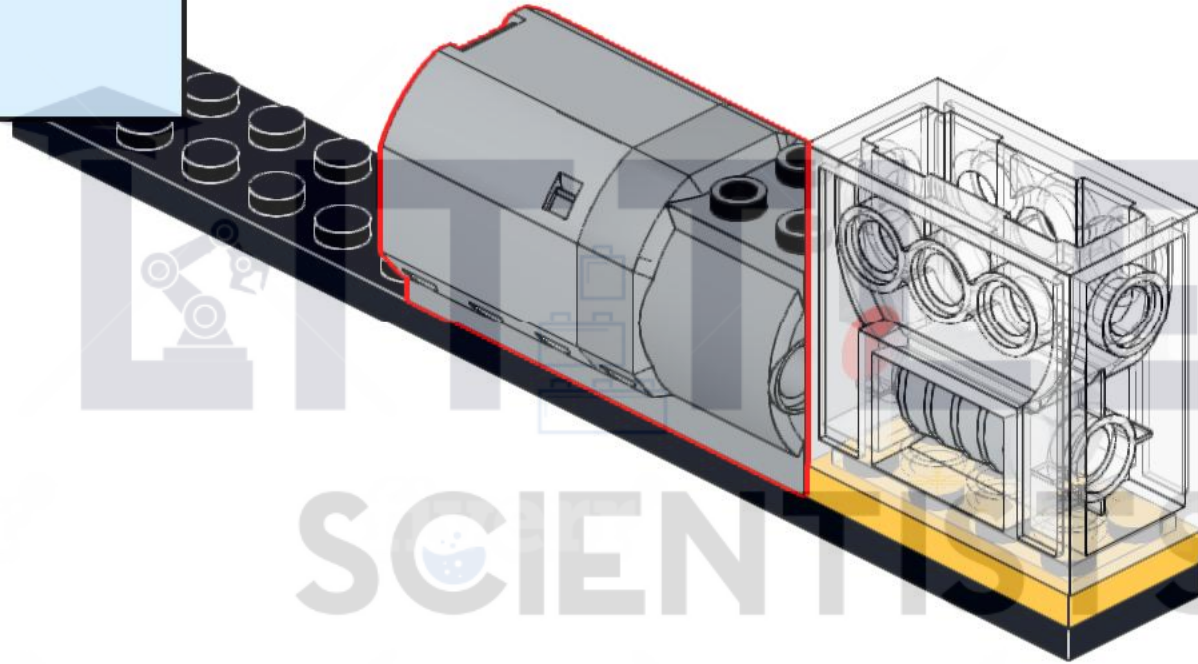
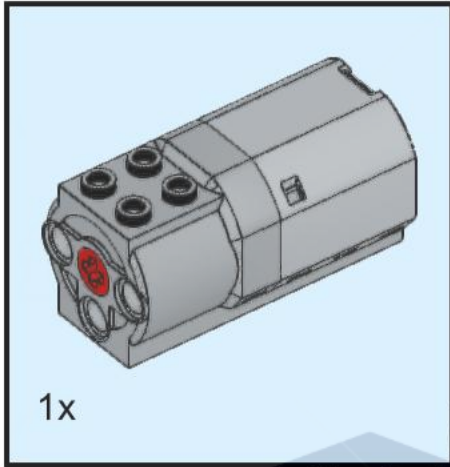
2



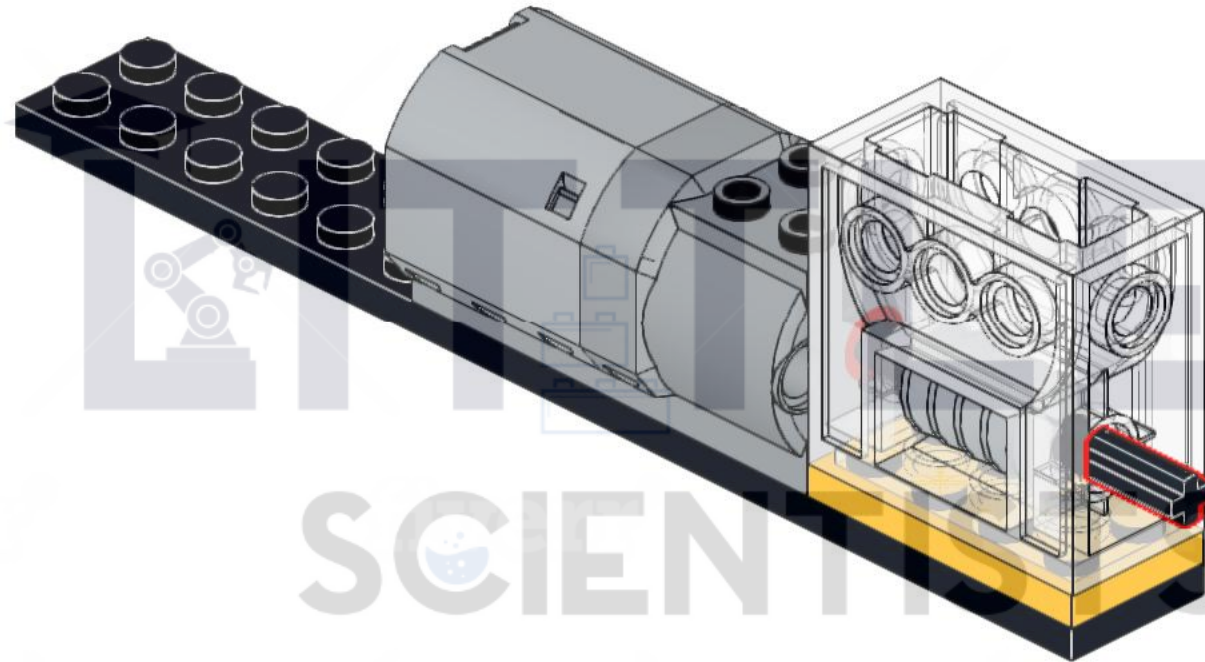
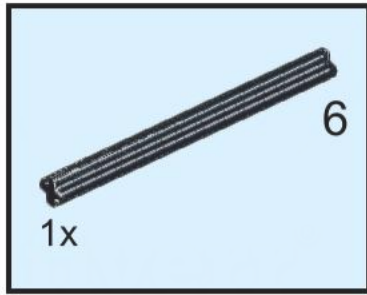
3



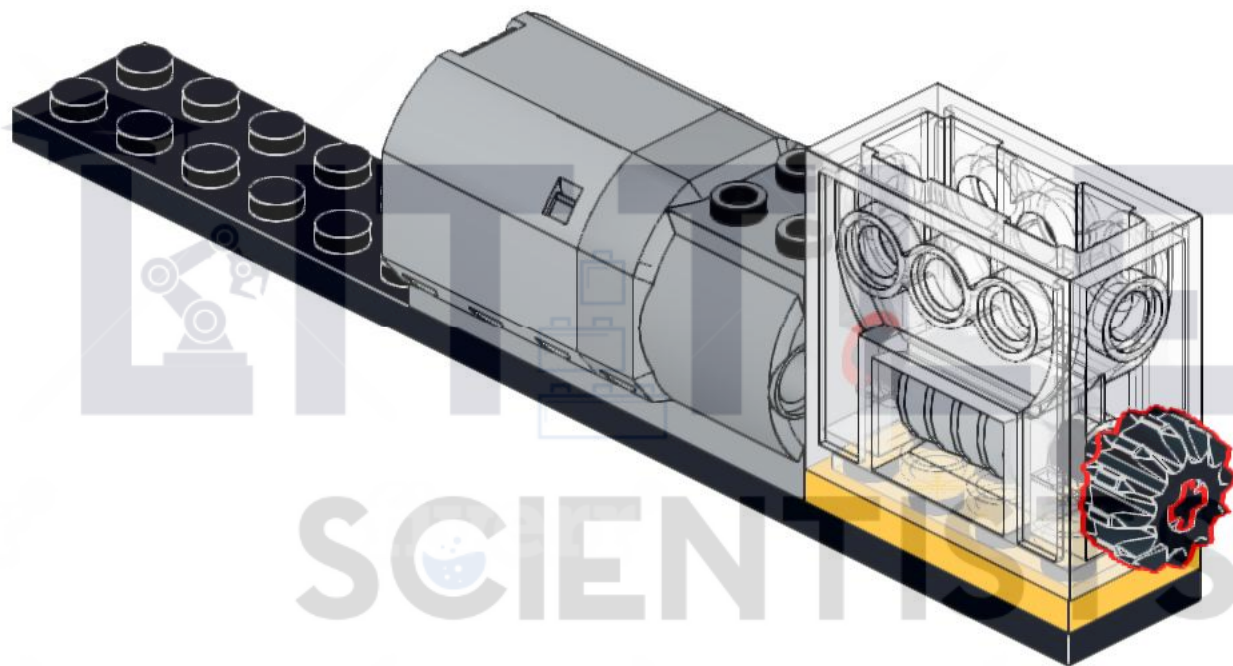
4



5

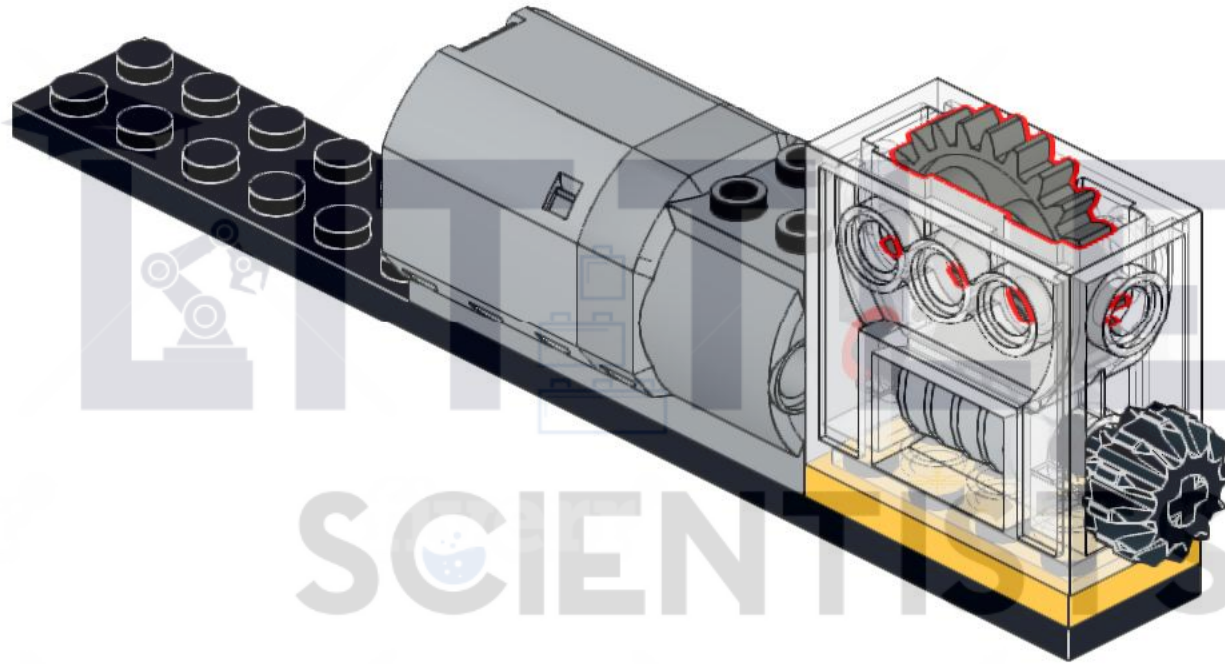
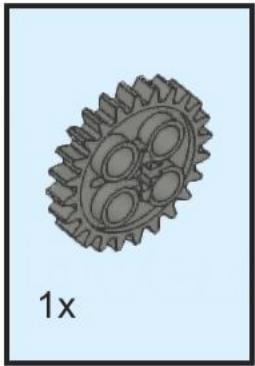


6

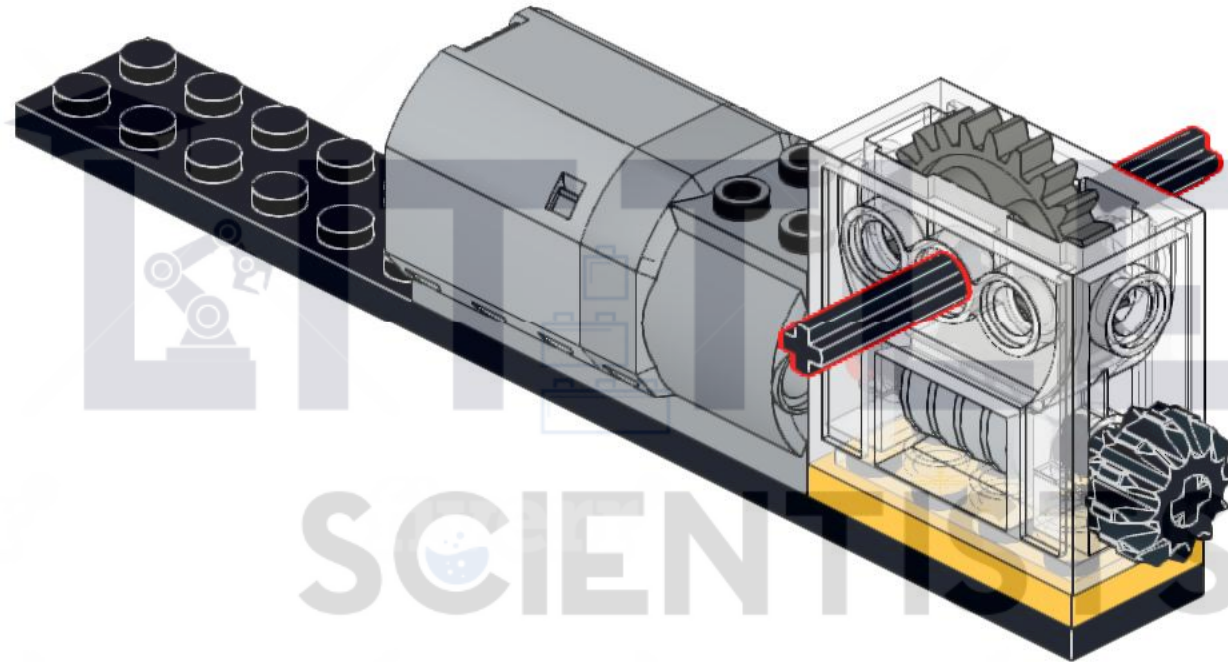
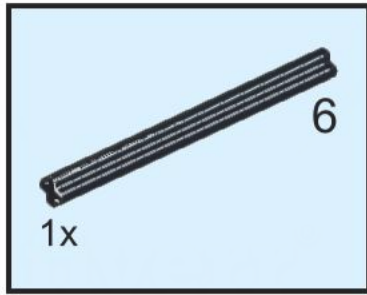


SCIENTIFICS

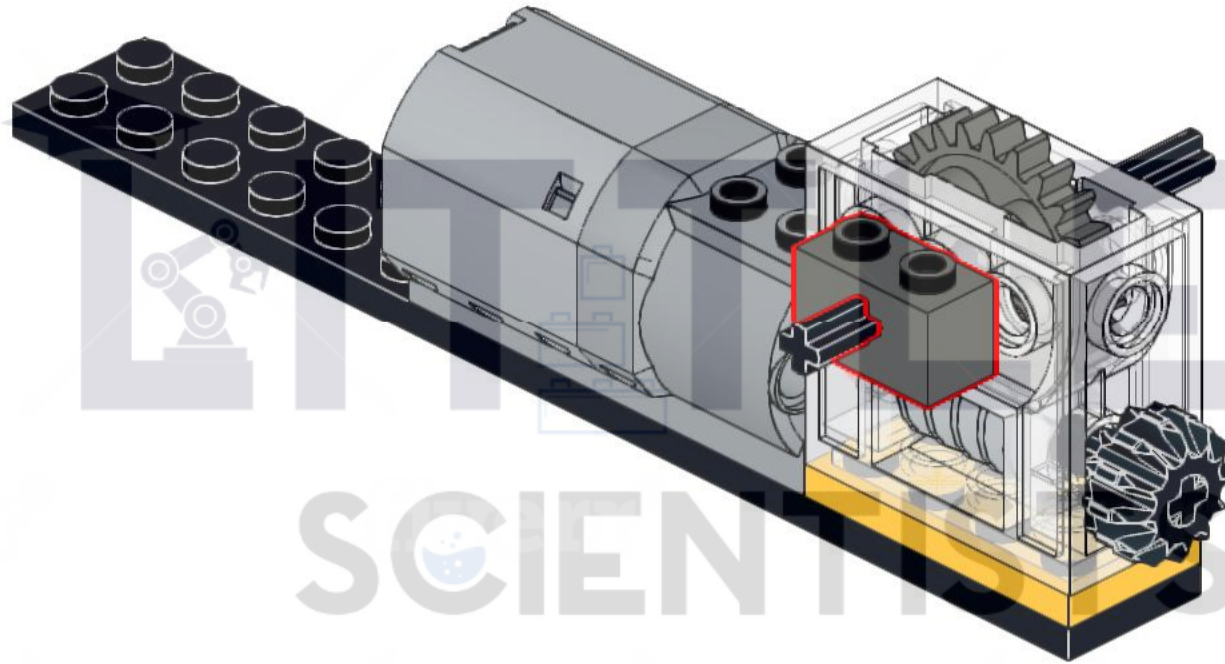
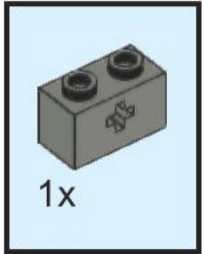
7



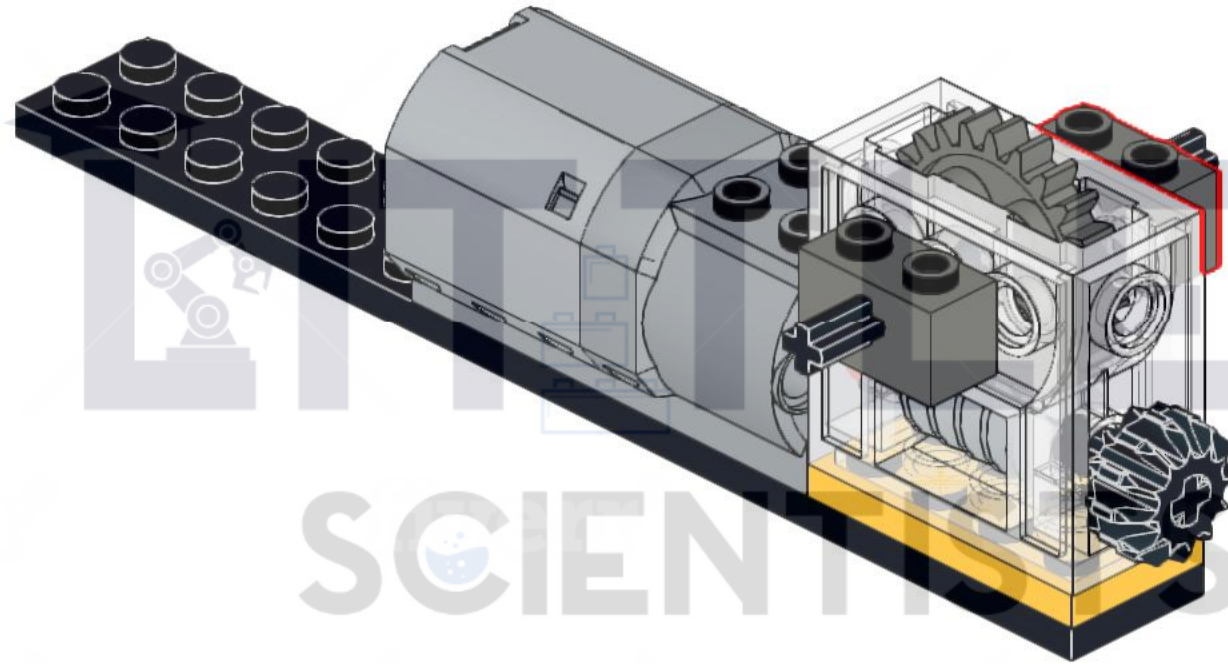
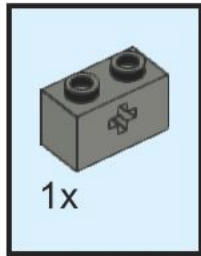
8



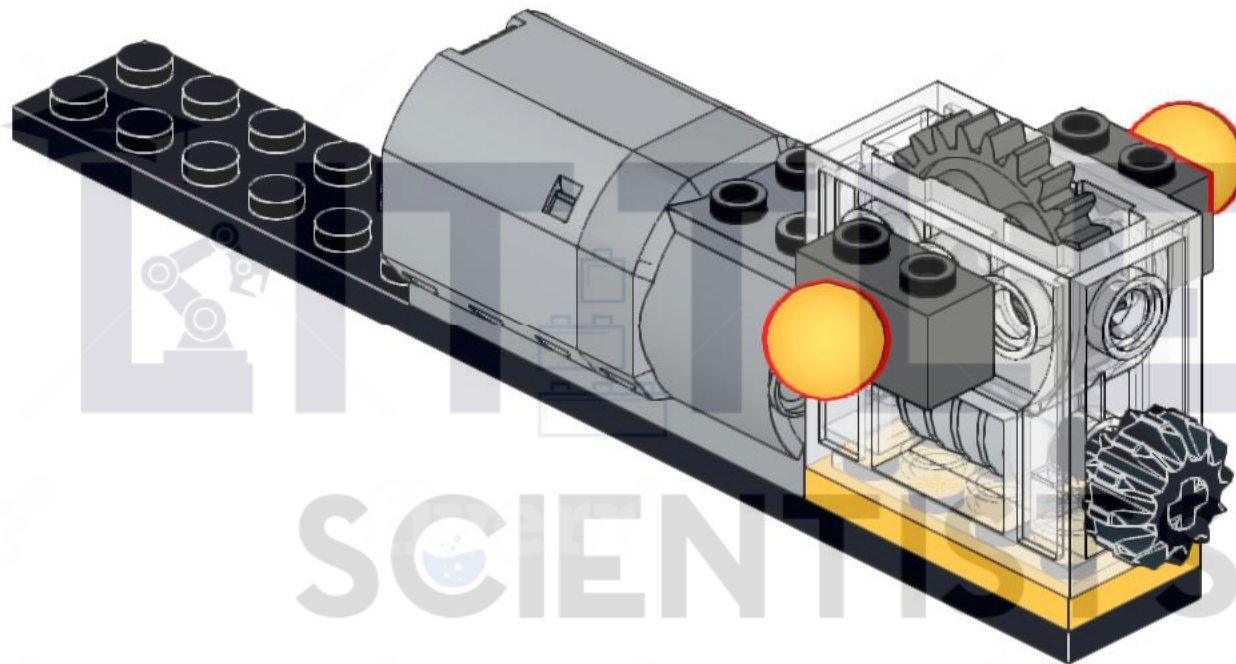
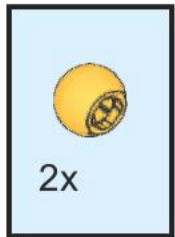
9



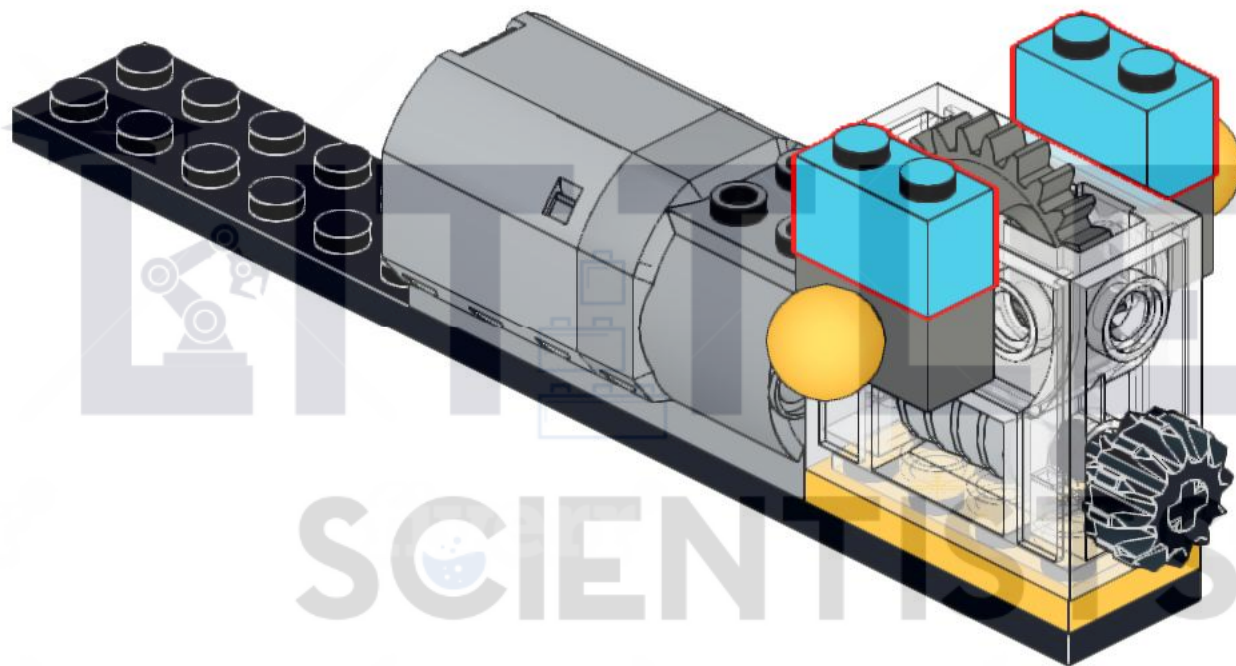
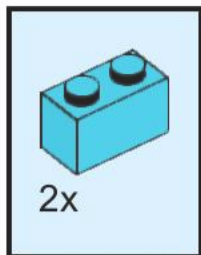
10



11

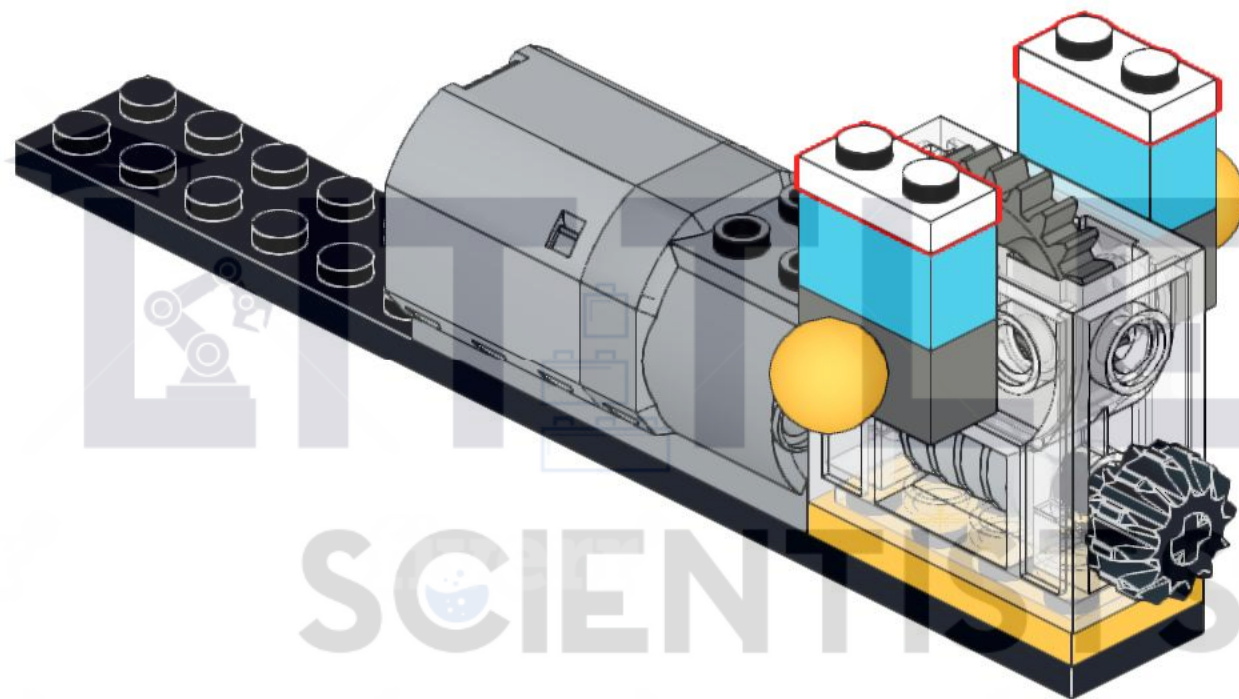
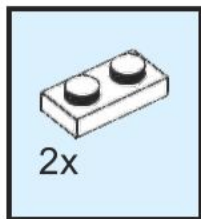


12

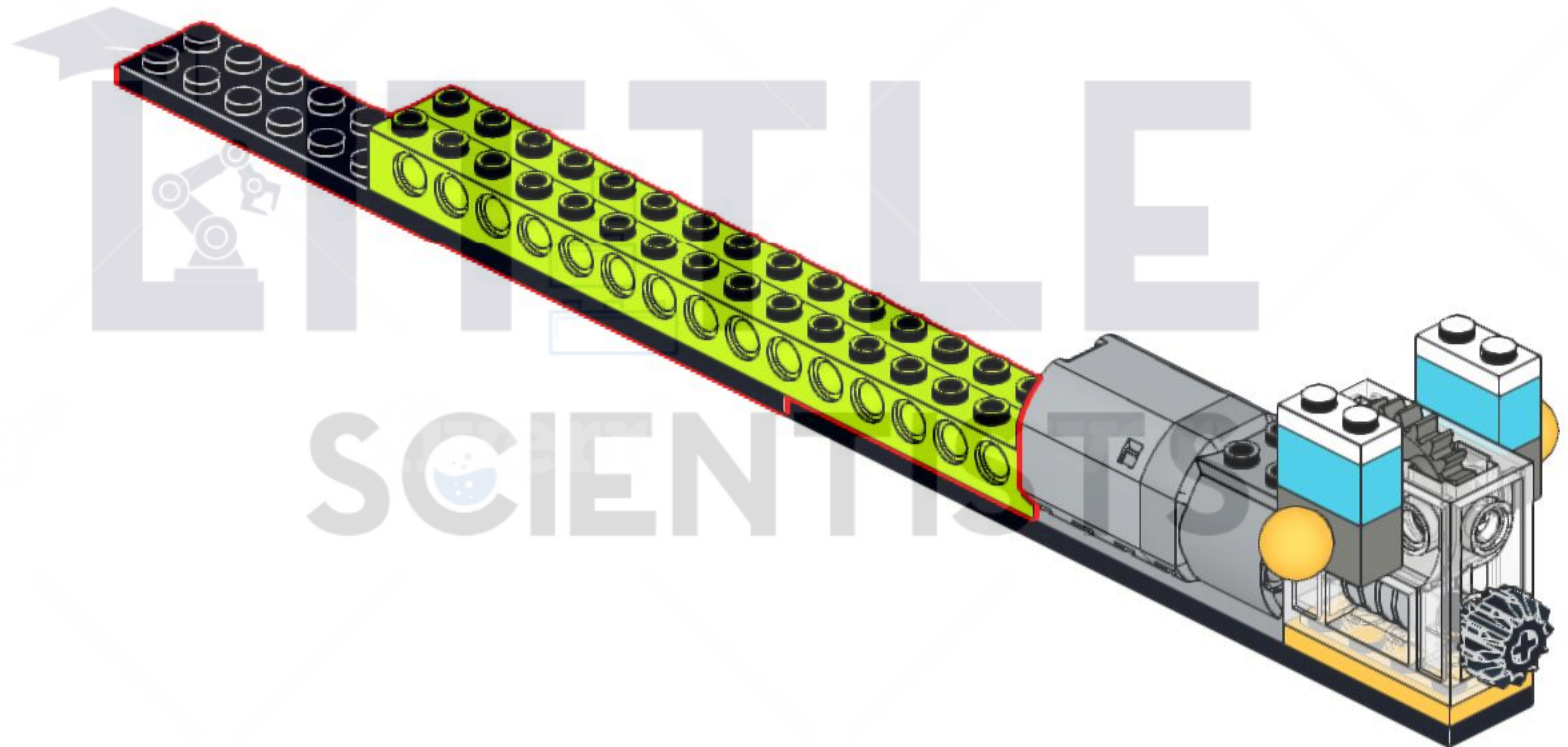
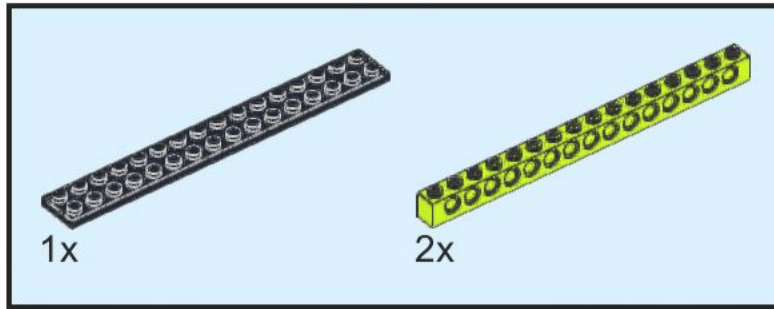


SCIENTIFIC

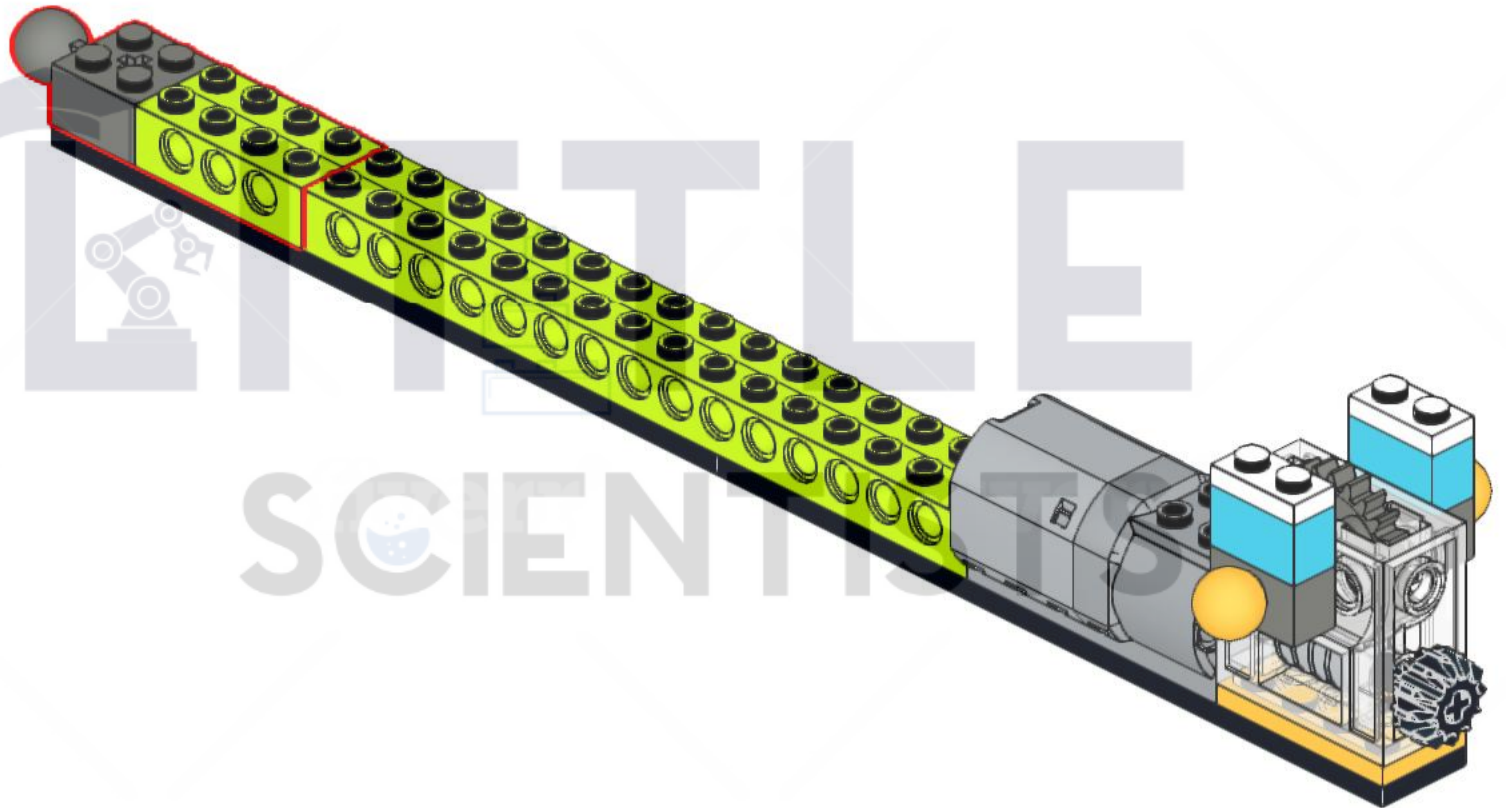
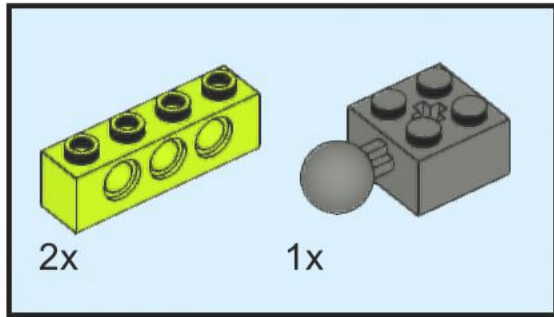
13



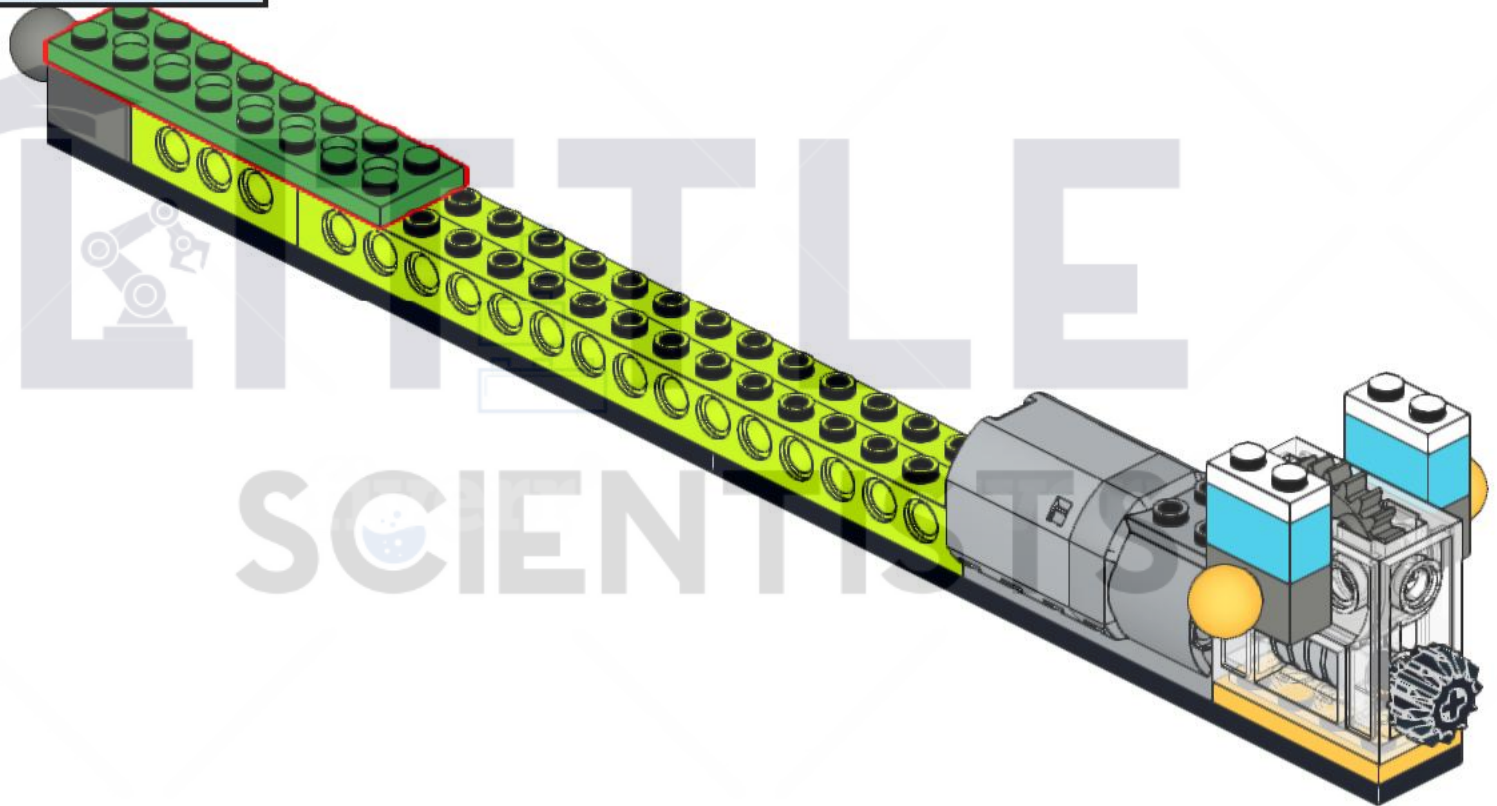
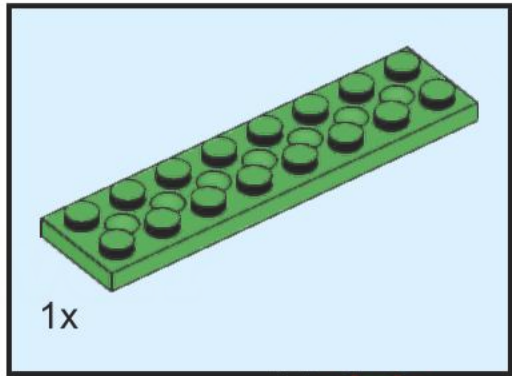
14



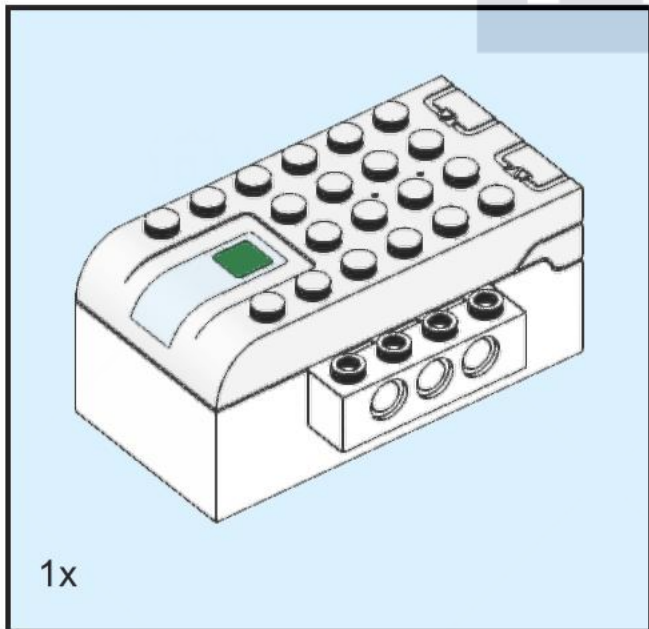
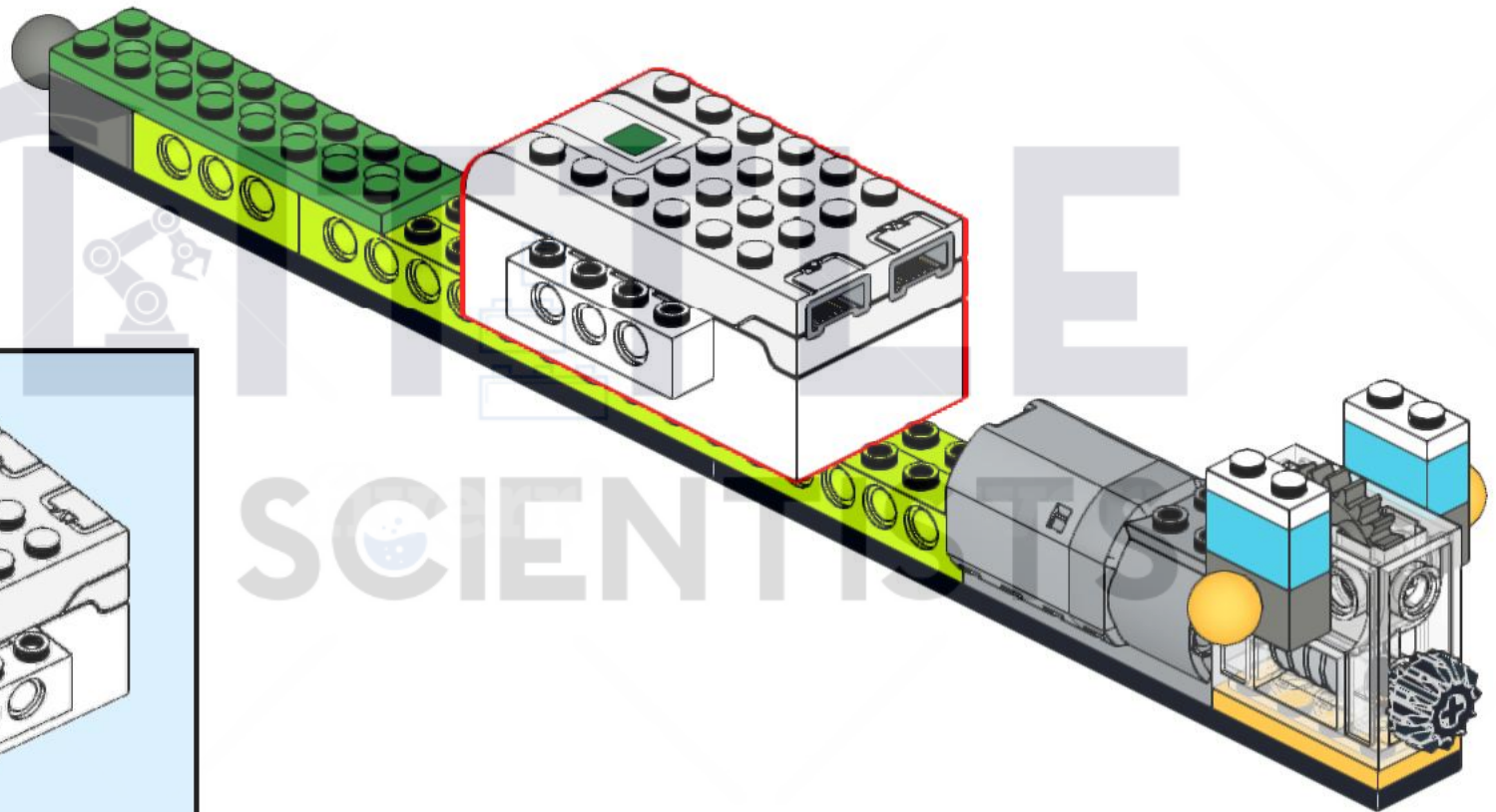
15



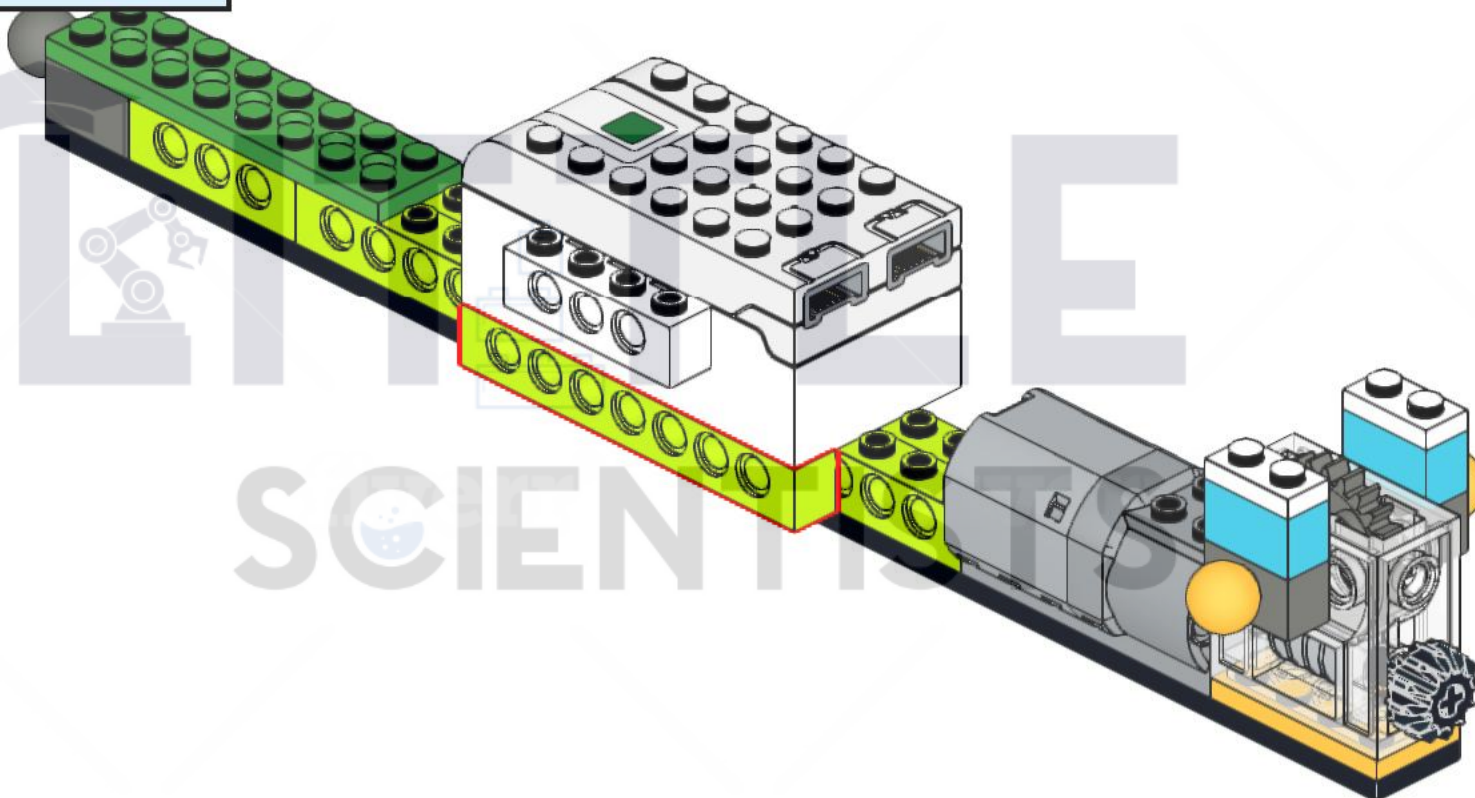
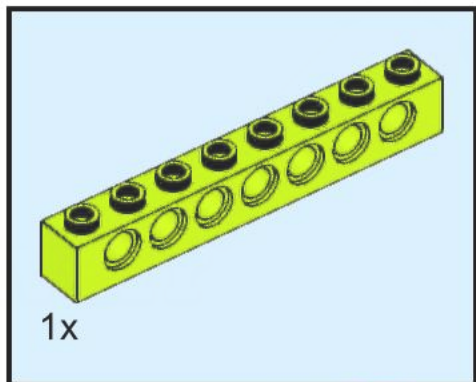
16



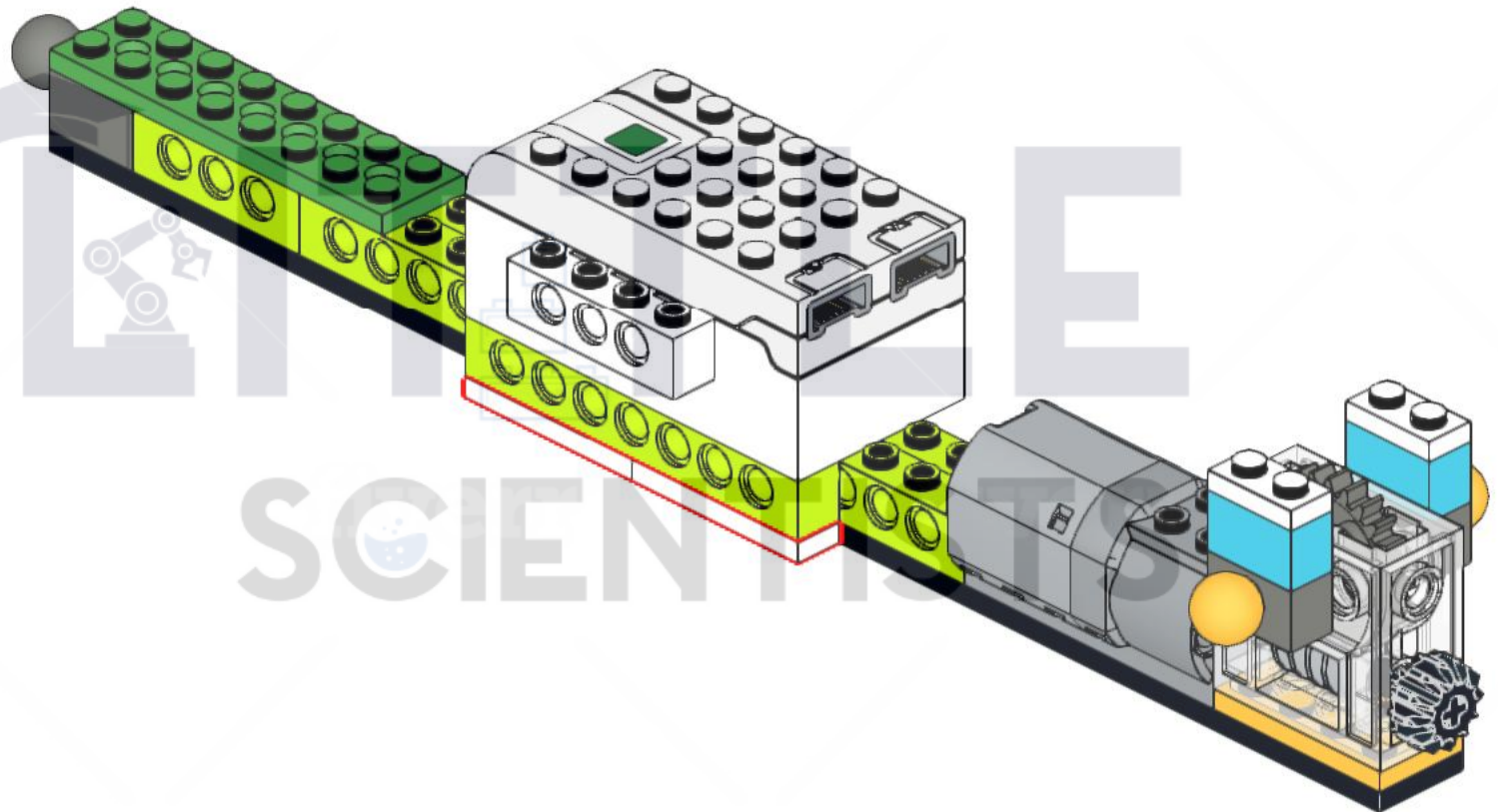
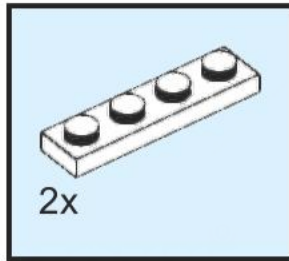
17



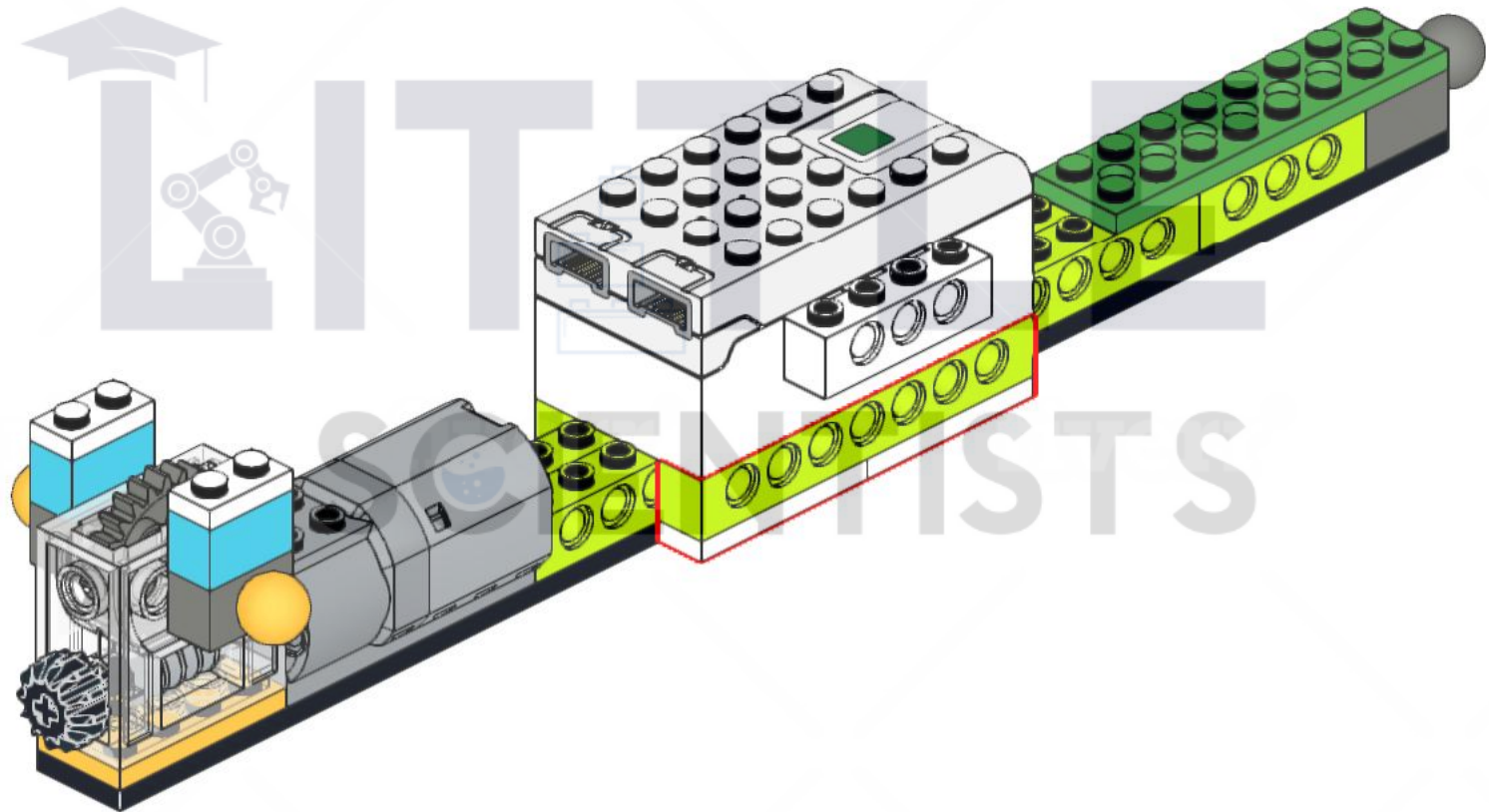
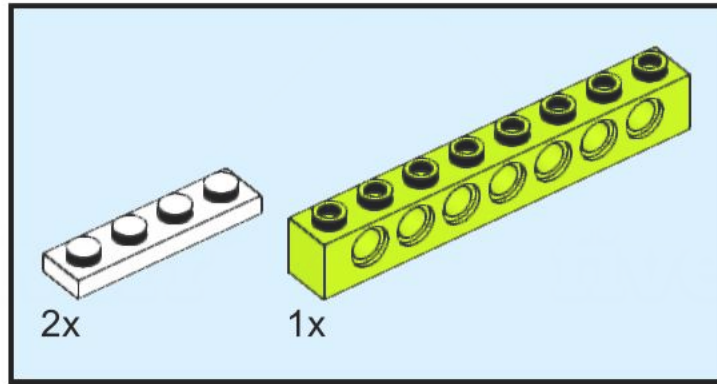
18



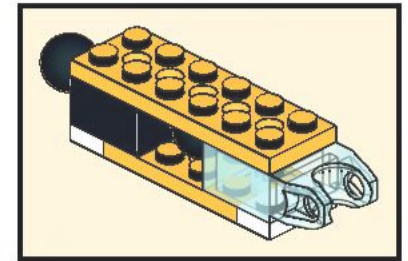
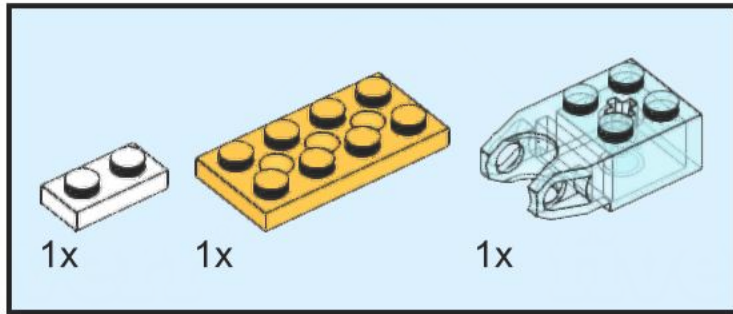
19



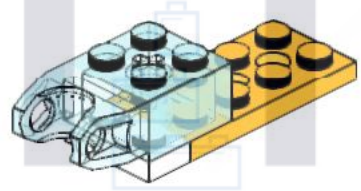


20

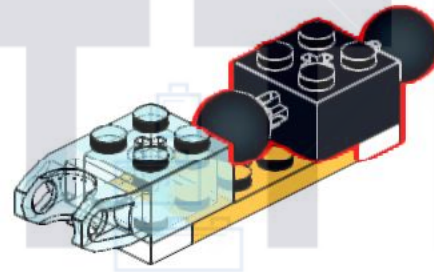
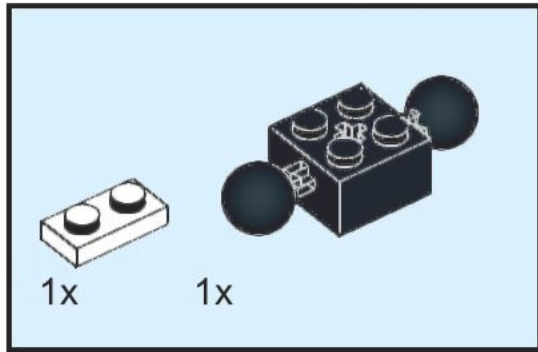


21



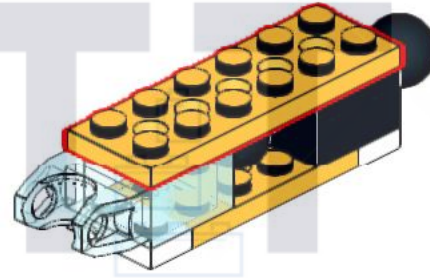
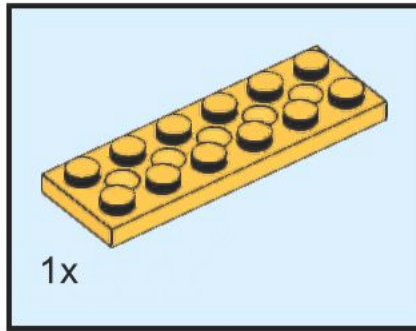



LITTLE
SCIENTISTS

22



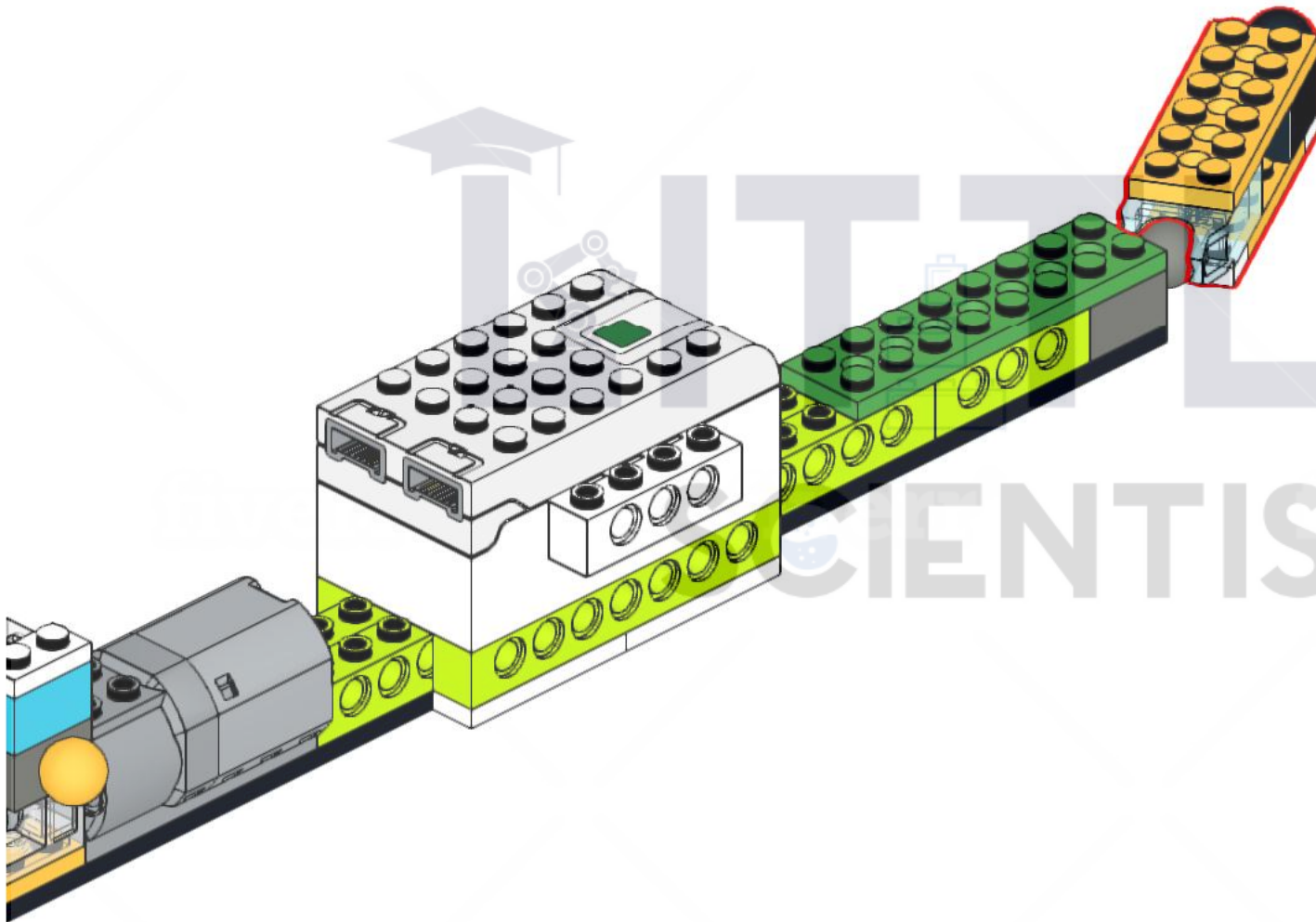
LITTLE
SCIENTISTS

23

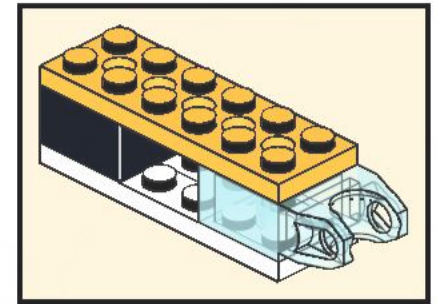
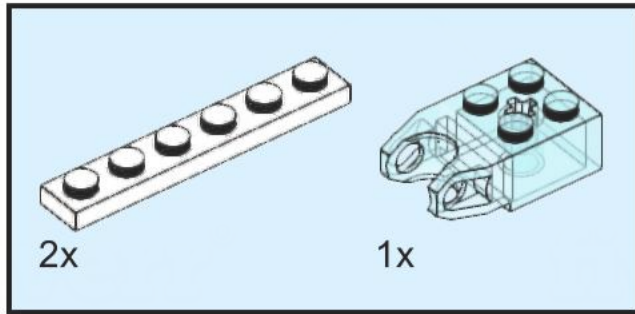





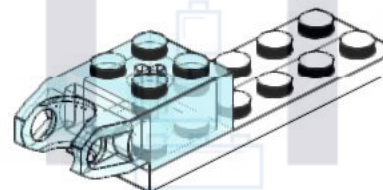
LITTLE
SCIENTISTS

24

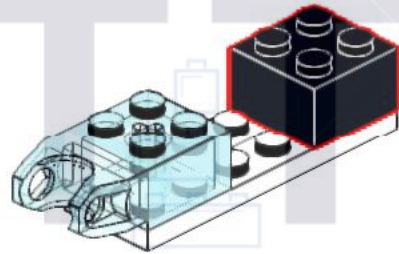
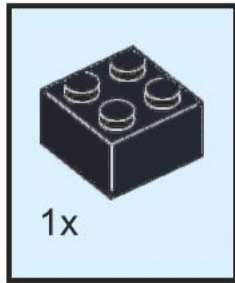


25



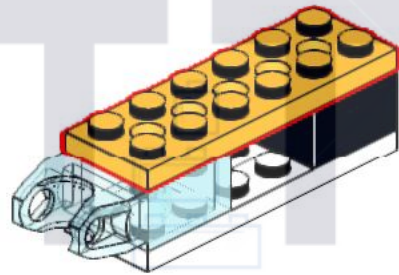
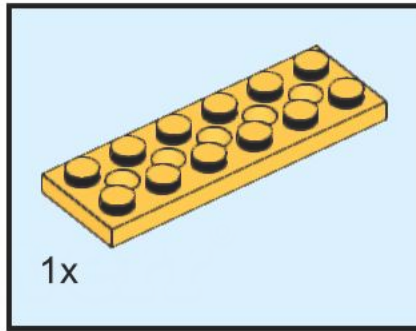
   
LITTLE
SCIENTISTS

26



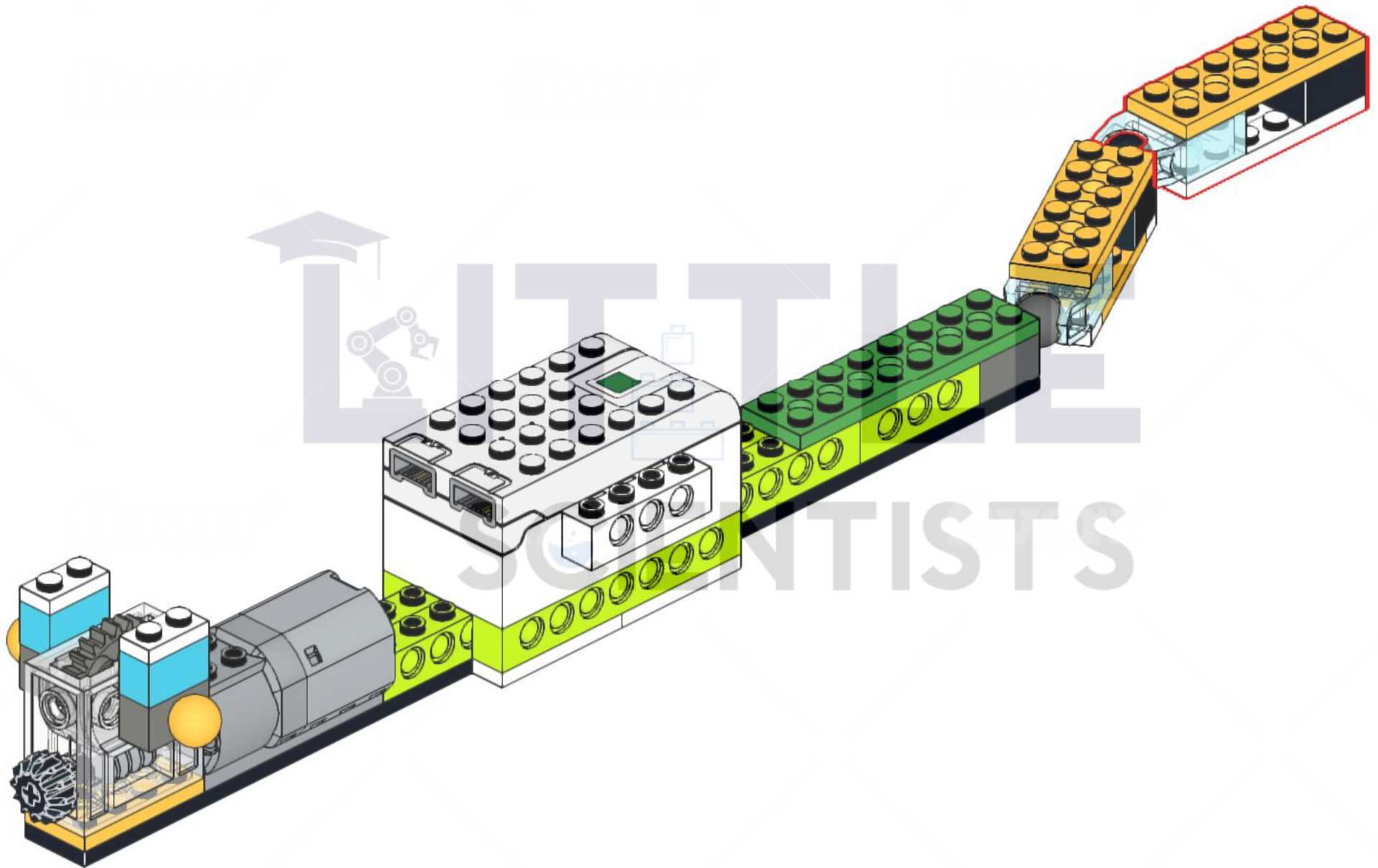
LITTLE SCIENTISTS

27

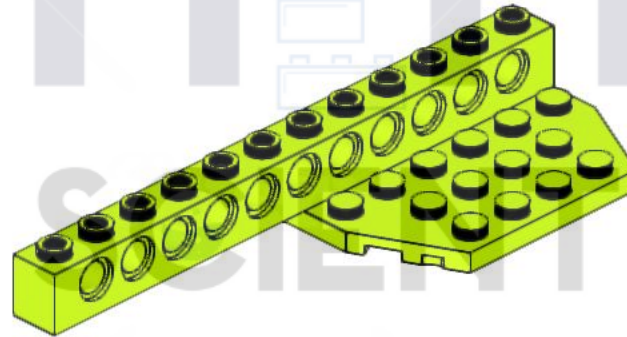
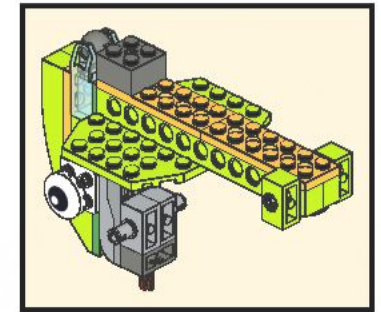
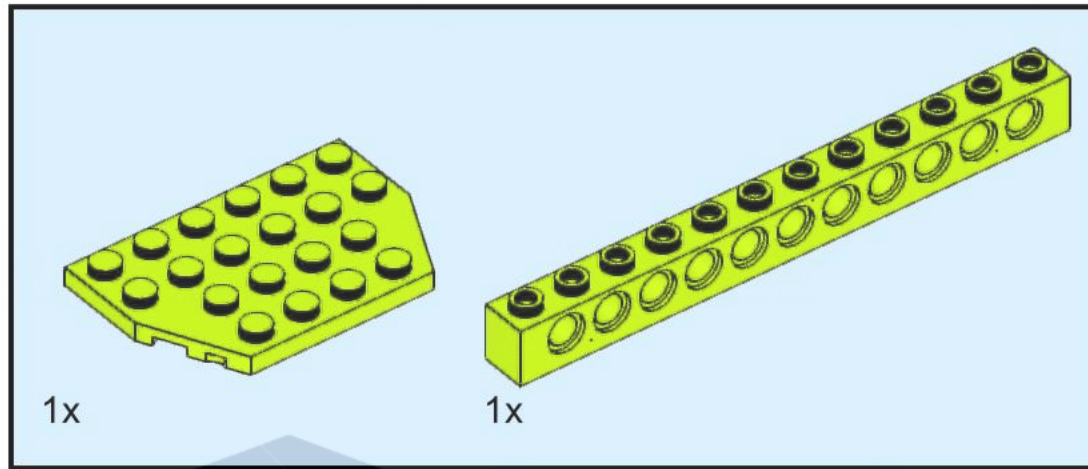


LITTLE
SCIENTISTS

28

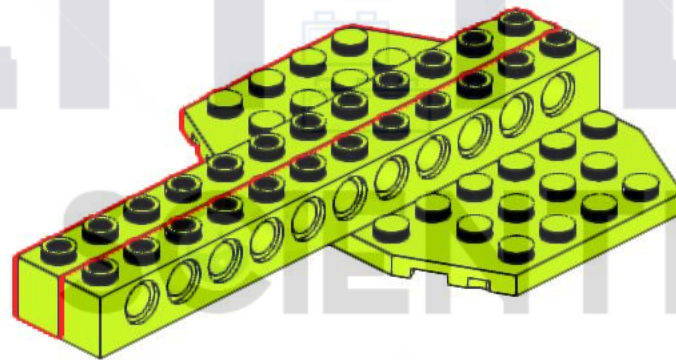
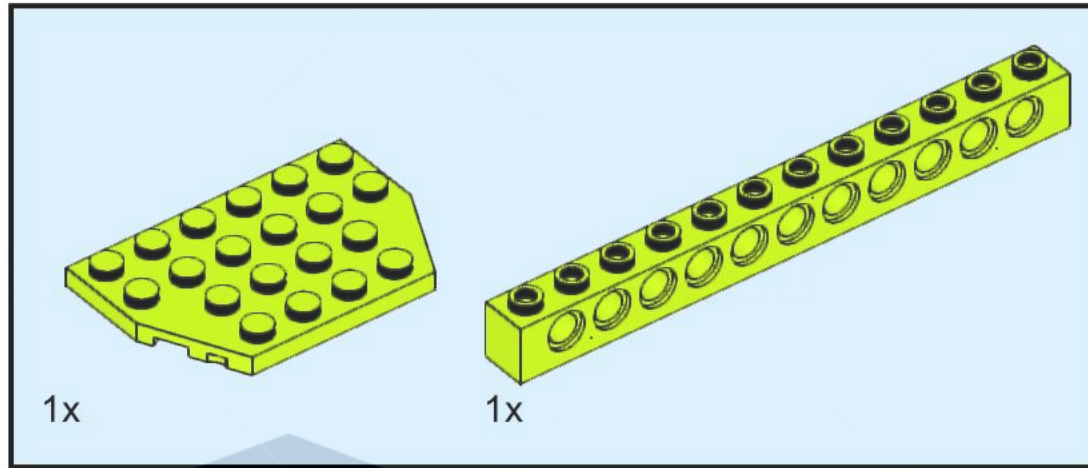


29



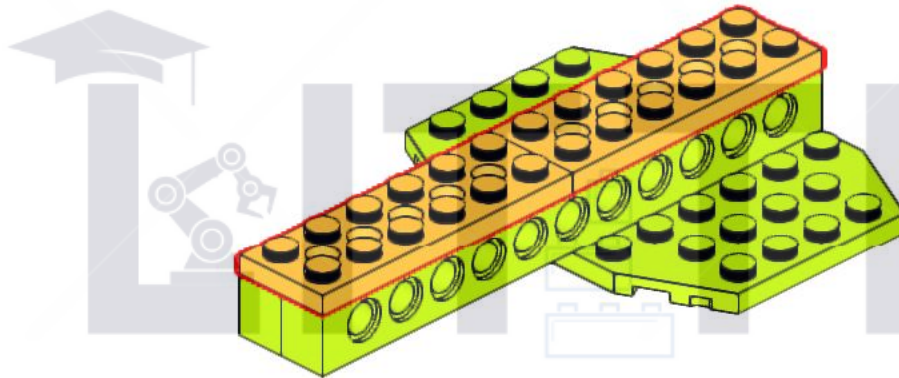
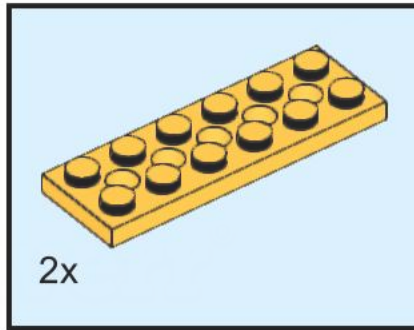
LITTLE SCIENTISTS

30

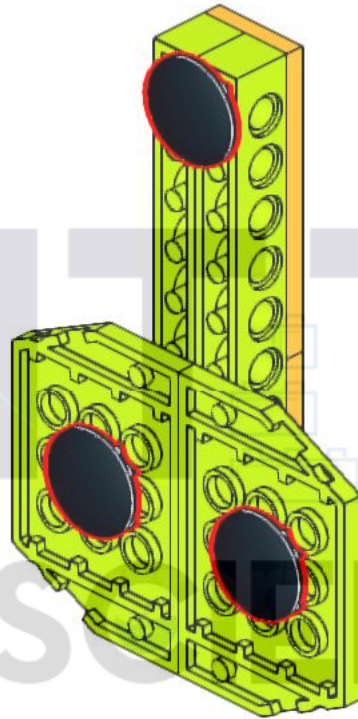


LITTLE
SCIENTISTS

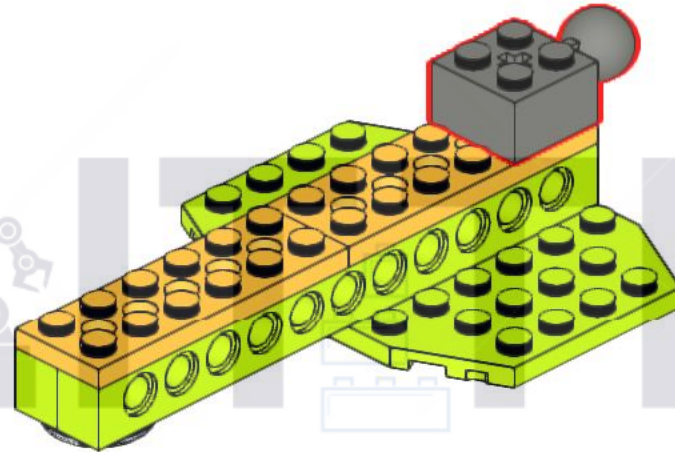
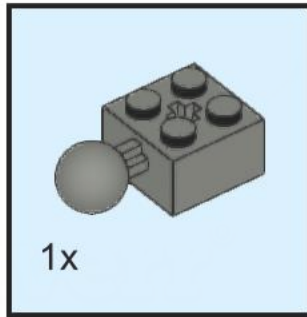
31



32

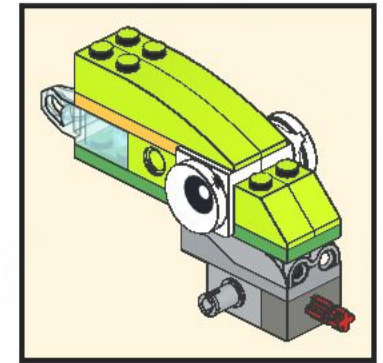
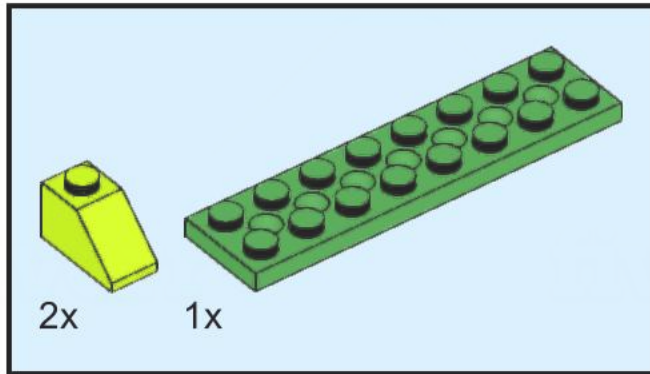



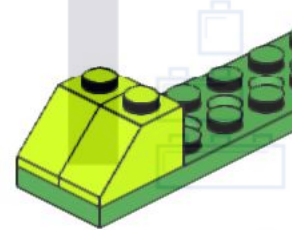
33



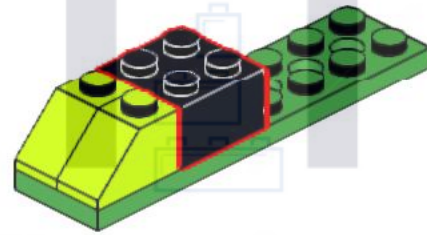
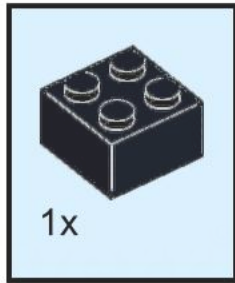
LEARNABLE
SCIENTISTS

34



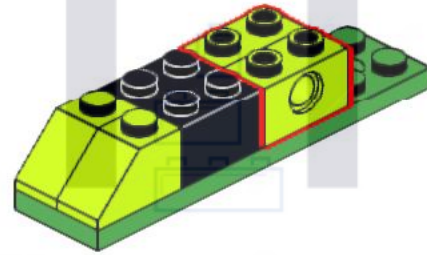
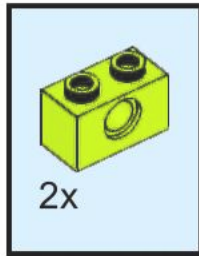
 **LITTLE**
 **SCIENTISTS**

35



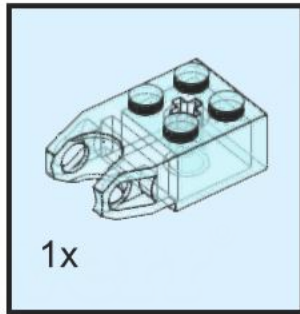
LITTLE
SCIENTISTS

36

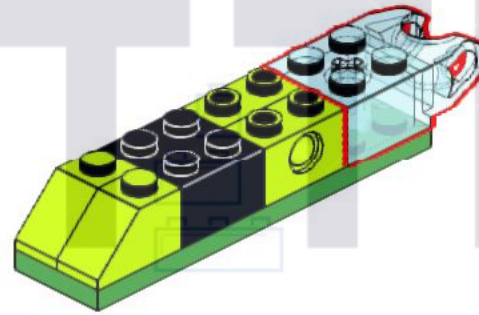


LITTLE
SCIENTISTS

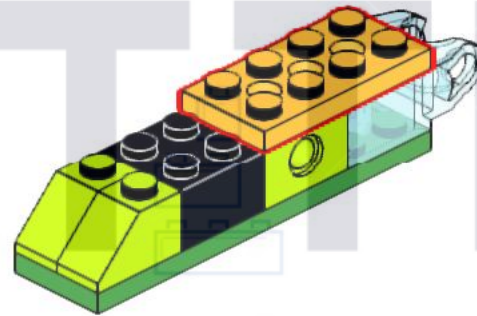
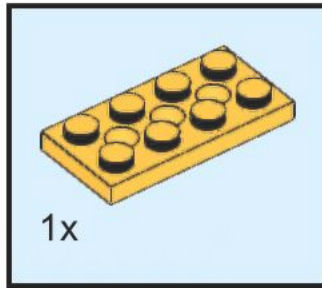
37



LITTLE
SCIENTISTS

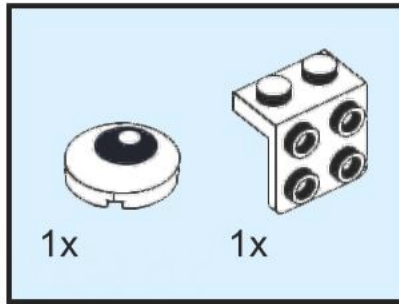


38

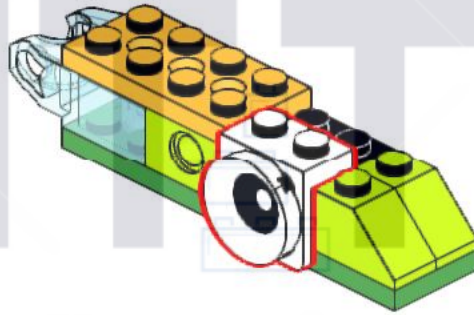


LITTLE
SCIENTISTS

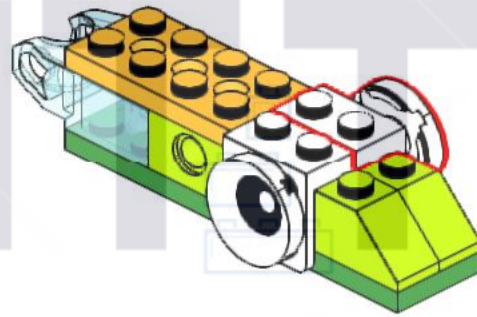
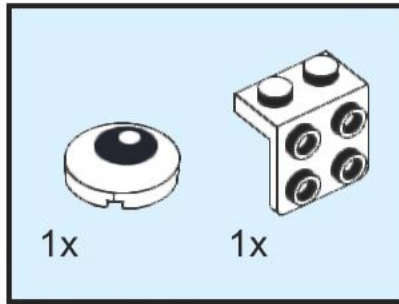
39



LITTLE
SCIENTISTS

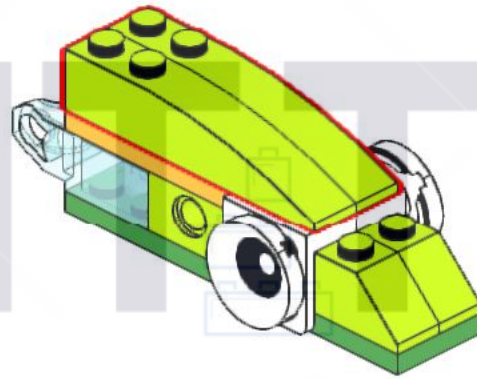
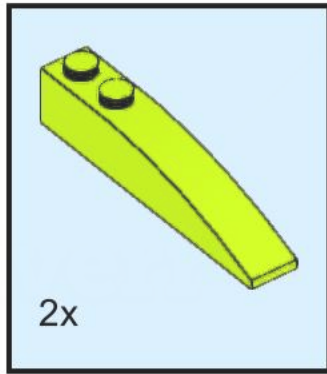


40



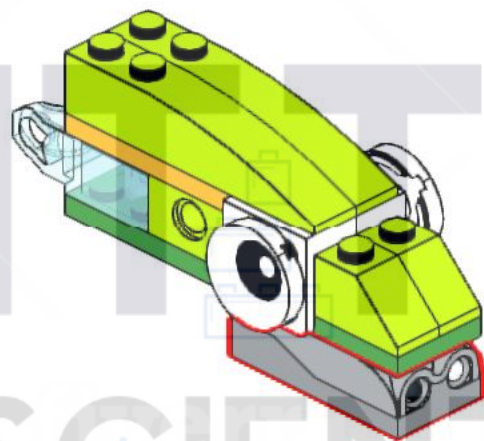
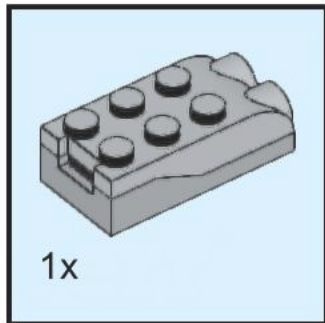
LITTLE
SCIENTISTS

41



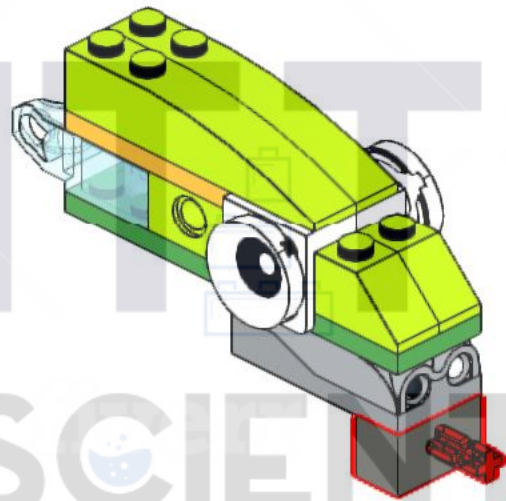
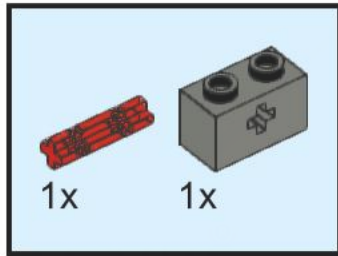
LITTLE
SCIENTISTS

42



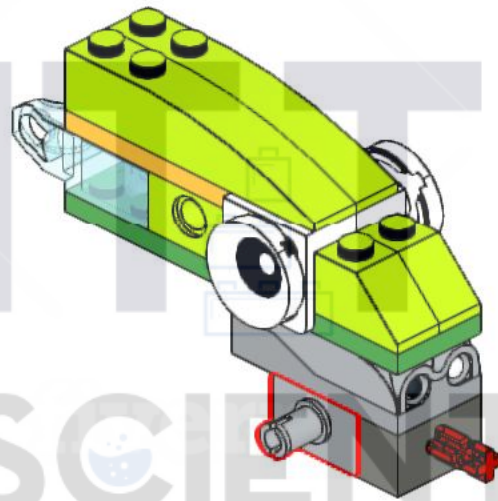
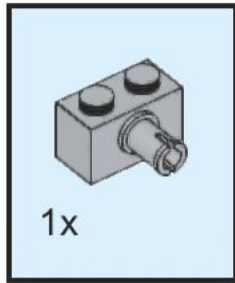
LITTLE
SCIENTISTS

43

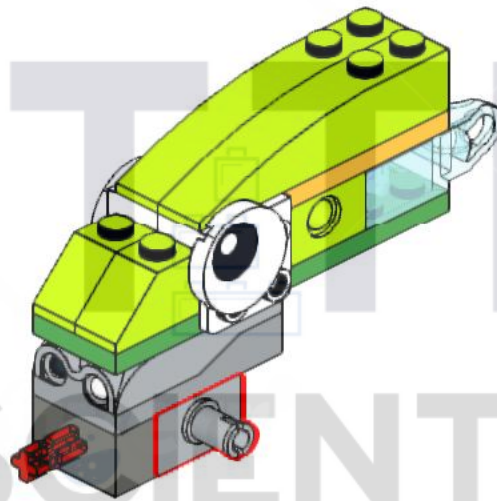
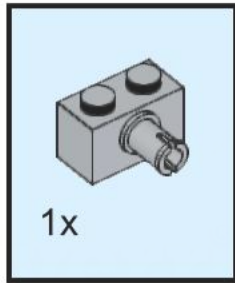


LITTLE SCIENTISTS

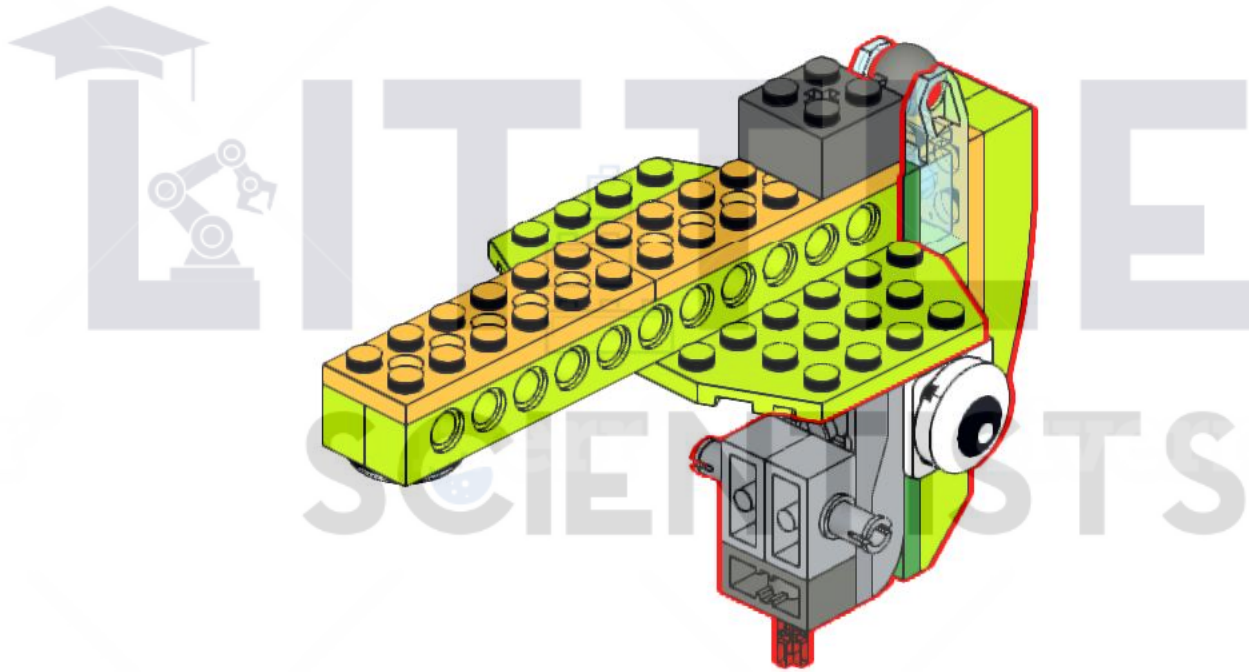
44



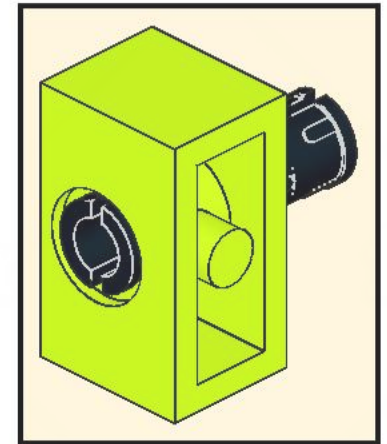
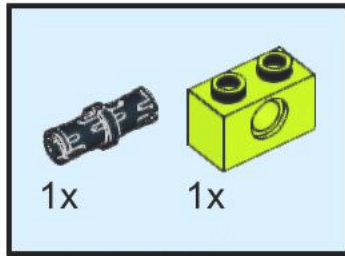
45



46

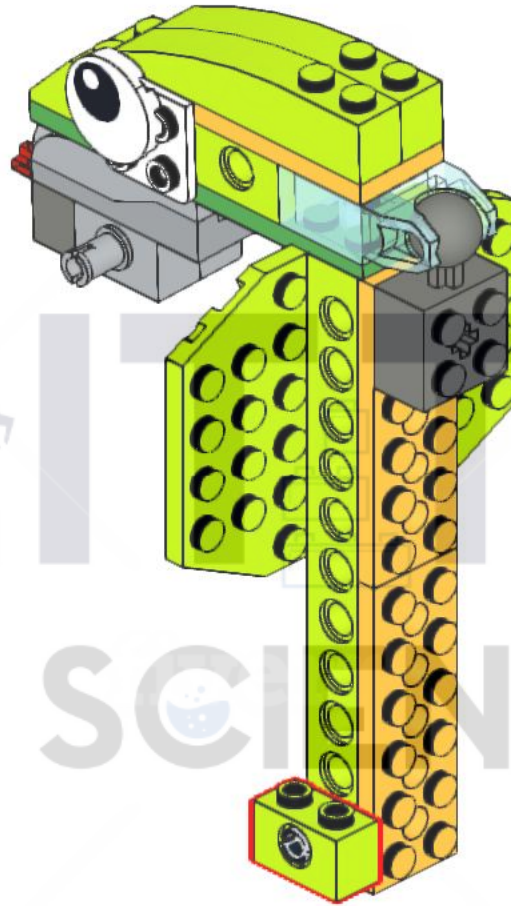


47



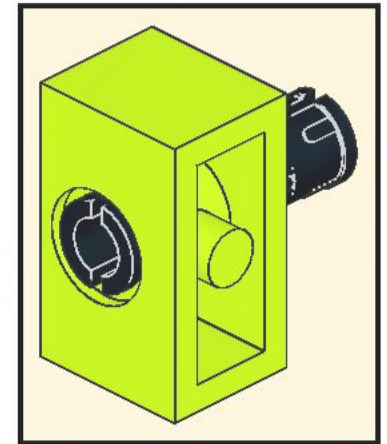
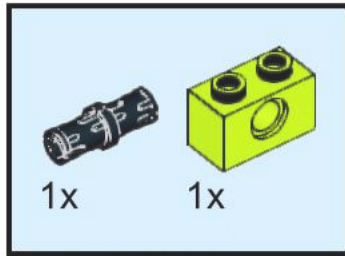
   
LITTLE
SCIENTISTS

48



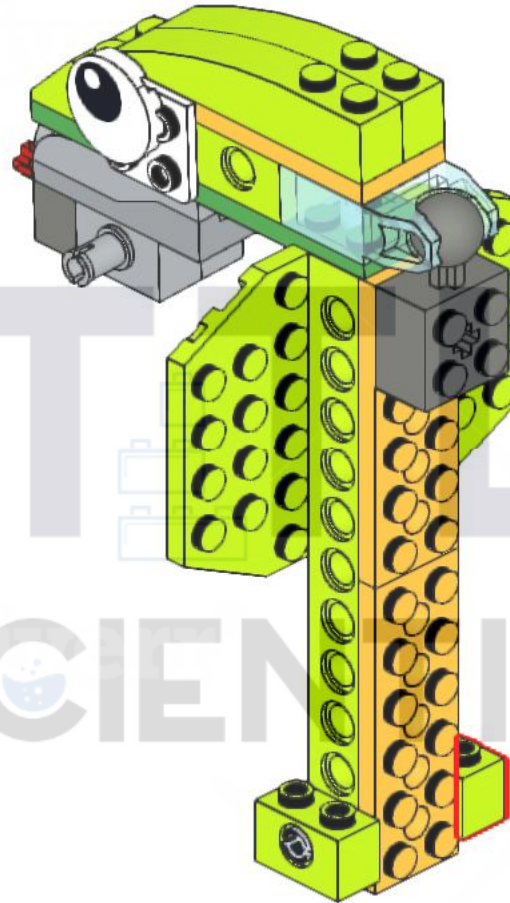
LITTLE
SCIENTISTS

49



LITTLE SCIENTISTS

50



The snake's head and neck need to be vertical before running the program.



SCIENTISTS