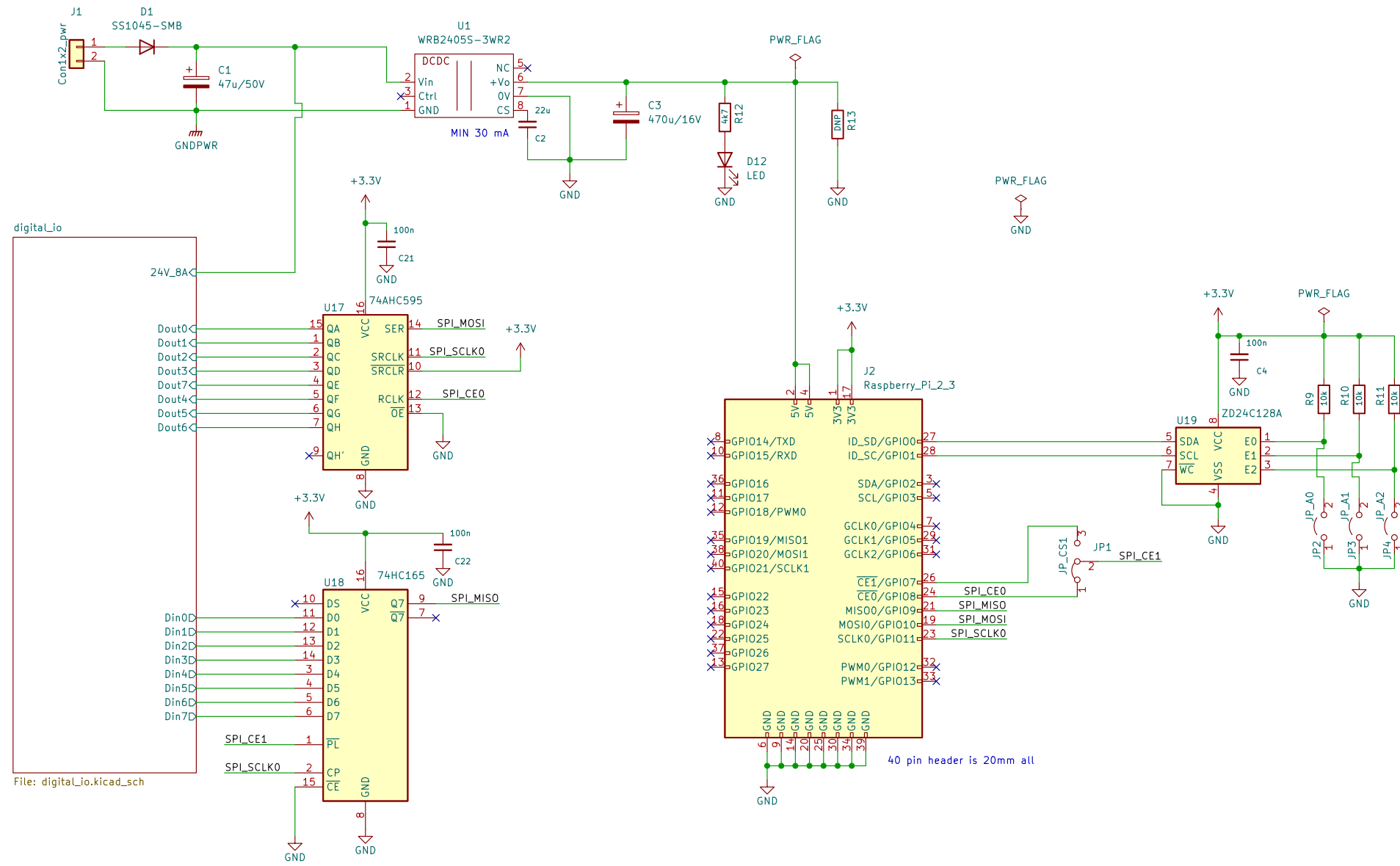


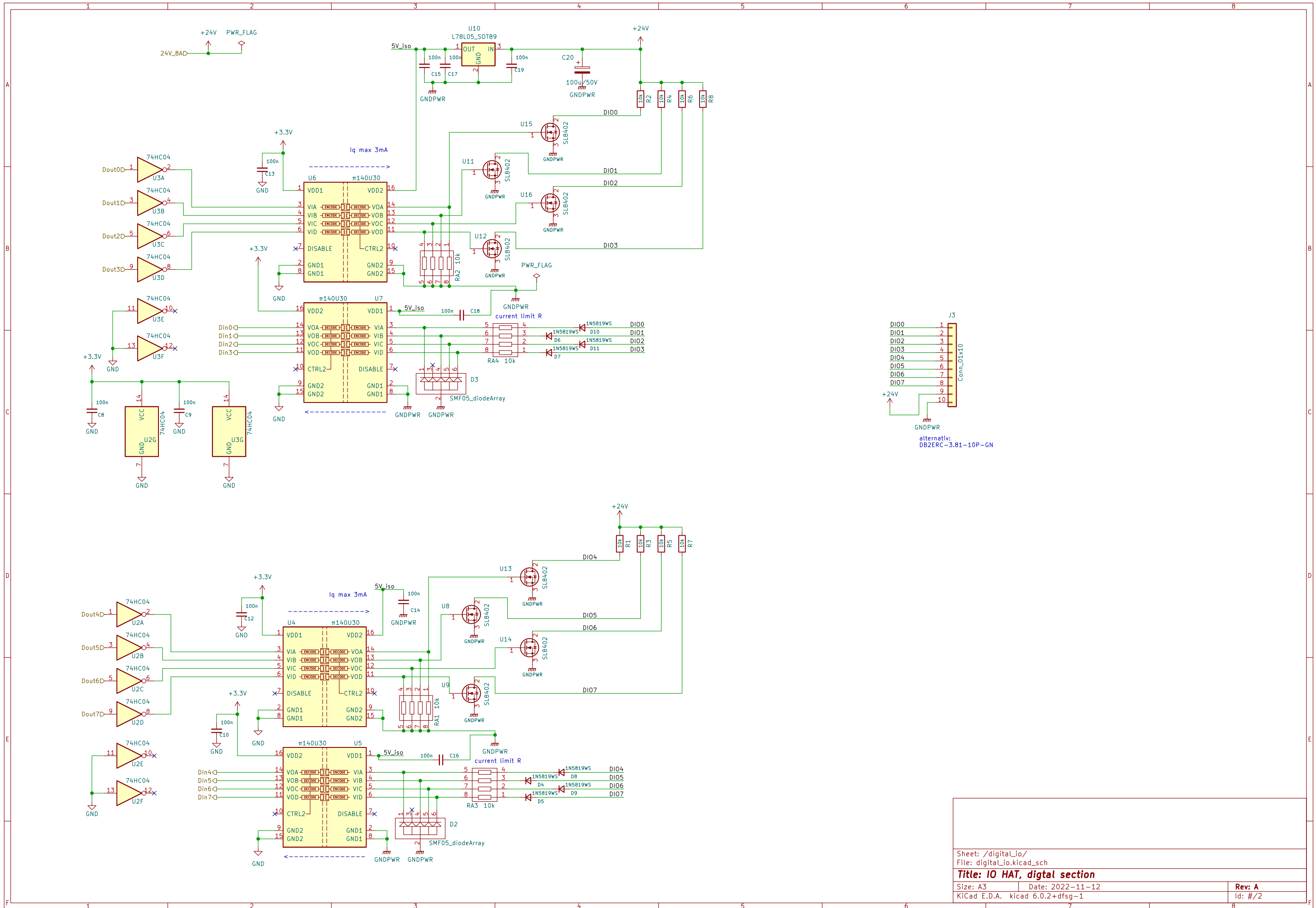
- H1 MH
- H2 MH
- H3 MH
- H4 MH

"MESIB-7"
Modular EtherSIB PLC

- H5 MH
- H6 MH
-
-



Sheet: /		
File: hat_dio.kicad_sch		
Title: HAT for EsPiFF/Pi, 8 DIO and 24V PSU		
Size: A3	Date: 2022-11-16	Rev: A
KiCad E.D.A. kicad 6.0.2+dfsg-1		Id: 1/2



Sheet: /digital_io/
 File: digital_io.kicad_sch
Title: IO HAT, digital section
 Size: A3 | Date: 2022-11-12 | Rev: A
 KiCad E.D.A. kicad 6.0.2+dfsg-1 | Id: #/2