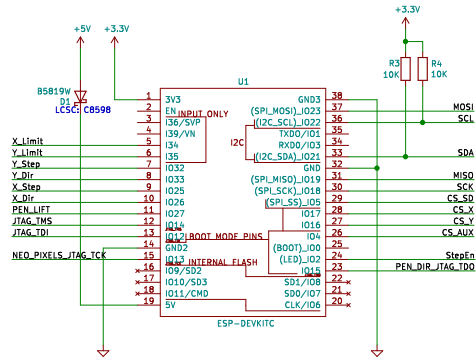
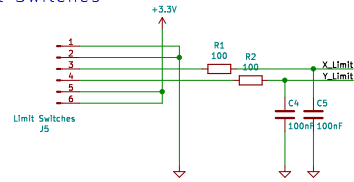


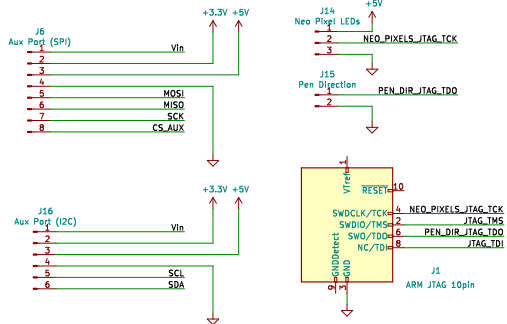
## ESP32 Module



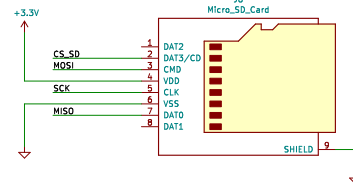
## Limit Switches



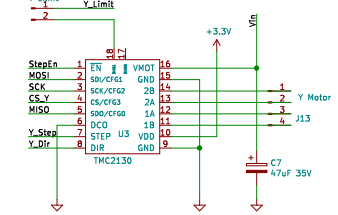
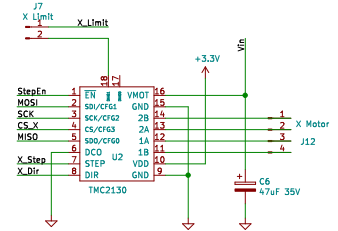
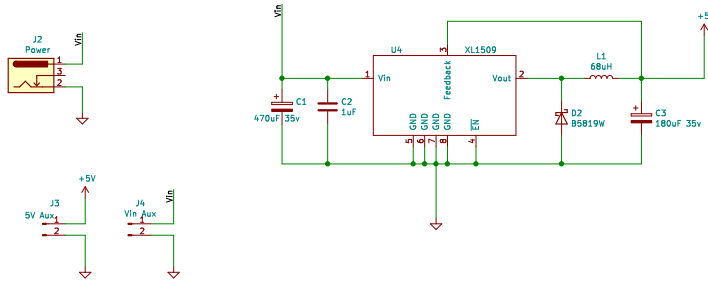
## Auxiliary Ports (JTAG, SPI, I2C, NeoPixel, Pen (Spindle) Direction)



## Micro SD Card Socket



## Power



## Stepper motor Drivers

ESP32 Plotter Controller  
 Design by Mark Benson [github.com/markjb/ESP32\\_Plotter\\_Controller](https://github.com/markjb/ESP32_Plotter_Controller)  
 Based on Bart Drings ESP32 Pen Plotter Controller  
[https://github.com/bdring/Grbl\\_ESP32\\_TMC2130\\_Plotter\\_Controller](https://github.com/bdring/Grbl_ESP32_TMC2130_Plotter_Controller)

Sheet: /	File: ESP32_Plotter_Controller.sch	
<b>Title: ESP32 Plotter Controller</b>		
Size: User	Date: 2021-02-20	Rev: A
KiCad: E.D.A.	KiCad: (5.1.9)-1	Id: 1/1