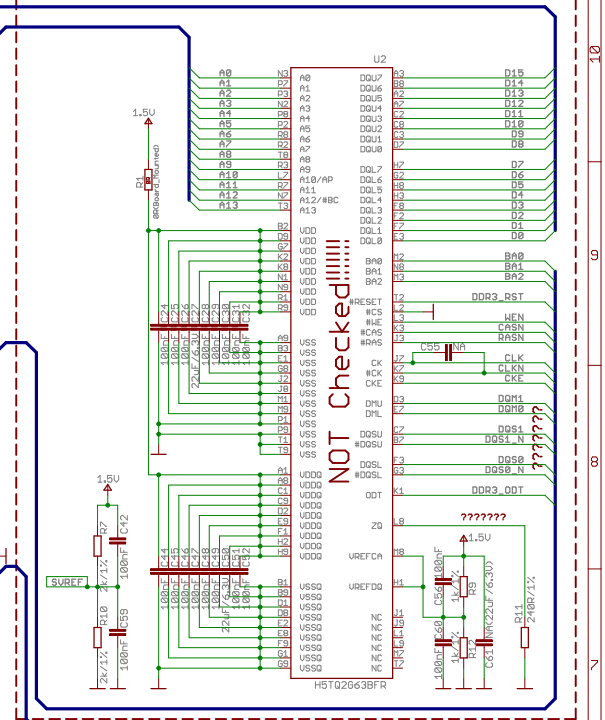
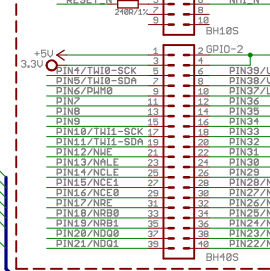


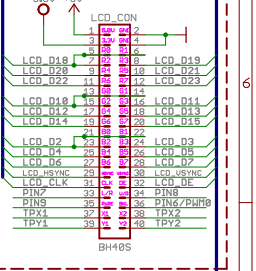
2Gb DDR3 SDRAM (128Mx16)



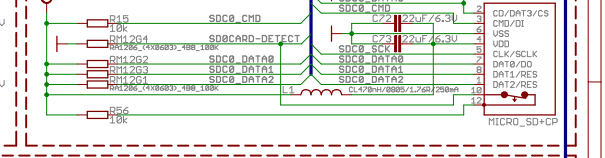
GPIO EXTENSION



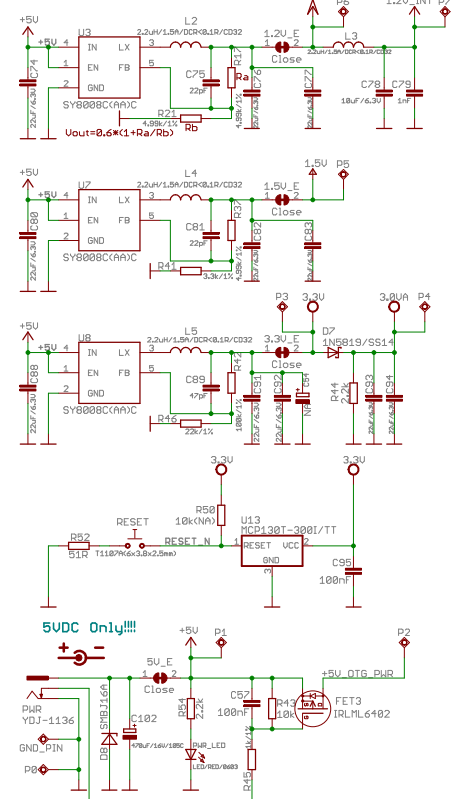
LCD EXTENSION



MicroSD



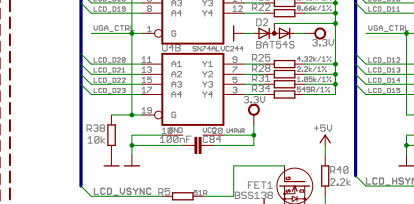
POWER SUPPLY CIRCUIT



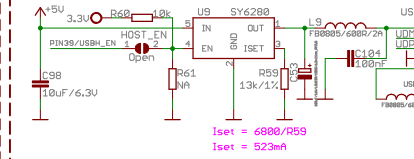
UART



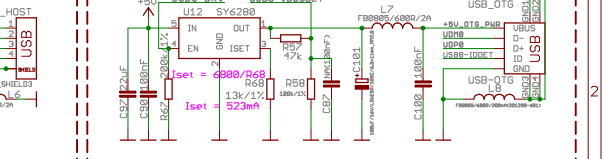
VGA



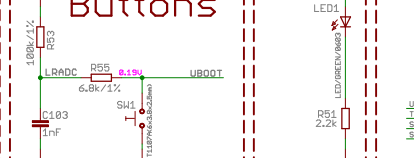
USB-HOST



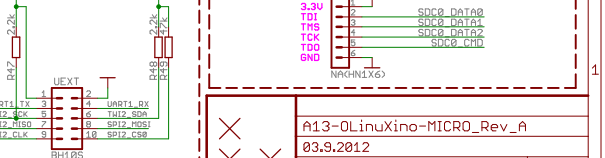
USB-OTG



Buttons



LED



UEXT

JTAG

A13-0LinuXino-MICRO\_Rev\_A  
03.3.2012  
Sheet: 1/1