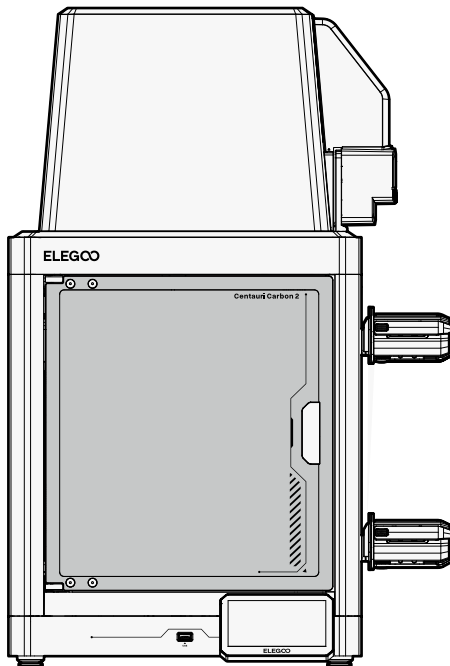


ELEGOO

● Centauri Carbon 2 Combo



# User Manual

**i** Please refer to the included USB drive for a setup and installation instructional video. V1.1



## Thank you for choosing the ELEGOO Product!

---

Upon receiving your product, please check that the device is in good condition and all accessories are included. If you encounter any issues during installation, operation, or maintenance, please contact the ELEGOO after-sales team through the official channels below for professional support:

1. Visit our dedicated support page: <https://www.elegoo.com/pages/contact-support>. (We recommend copying the link and opening it in your browser.)
2. Scan the QR code below for one-on-one assistance.



(Note: To ensure optimal performance, each ELEGOO product undergoes rigorous printing tests before shipping. Minor surface scratches may be visible upon delivery; this is normal and will not affect functionality. )

## Important Notes

---

- Do not place the printer in highly vibrating or unstable environment, as machine vibrations can affect print quality.
- Do not touch the nozzle or heated bed while the printer is in operation to avoid burns and personal injury from high temperatures.
- After printing, promptly utilize the residual heat in the nozzle to effectively clean the filament residue using a suitable tool. Avoid direct contact with the nozzle to prevent potential burns.
- We recommend using ELEGOO's slicing software to ensure the proper functioning of the machine and achieve optimal printing results.
- Perform regular maintenance on the printer by cleaning the machine body with a dry cloth to remove dust and any sticky filament residue. Ensure the printer is powered off before cleaning.
- Regularly inspect and clean the printer's cooling fans to prevent dust buildup, ensuring optimal performance and extended service life.
- Be cautious of the machine's high-speed moving parts to avoid any potential pinch hazards.
- The Z-axis of the machine utilizes lead screws for its moving parts. Apply lubricating oil as needed to ensure smooth movement.
- Children must be supervised by adults when using the machine to avoid personal injury.
- In case of an emergency, directly turn off the power.
- Ensure the machine is properly grounded for safe operation. Failure to properly ground or neglecting to ground the machine can increase the risk of electrical leakage.
- If the machine is not in use for an extended period, please turn off the power and unplug the power cord.

# Contents

---

Machine Specifications .....	01
Printer Component Introduction .....	02
CANVAS Component Introduction .....	04
Included Accessories .....	05
Tool Kit .....	06
Remove the Package .....	07
Install the Printer .....	08
Install the CANVAS .....	09
Load the Filament .....	12
First Print .....	15
ElegooSlicer .....	16
LAN (Network) Printing .....	19
Mainboard Connections .....	21

# Machine Specifications

---

## Printing Specifications

- Printing Technology: Fused Deposition Modeling (FDM)
- Build Volume: 256\*256\*256mm
- Printing Accuracy: ±0.1mm
- Included Nozzle Diameter: 0.4 mm
- Printing Speed: ≤500mm/s
- Ambient Temperature : 5°C-40°C

## Electrical Requirements

- Input Power: AC 100-240V; 50/60Hz
- Rated Power: 1100W@220V 350W@110V

## Operating Temperature Specifications

- Max Nozzle Temperature: 350°C
- Max Heated Bed Temperature: 110°C

## Physical Specifications

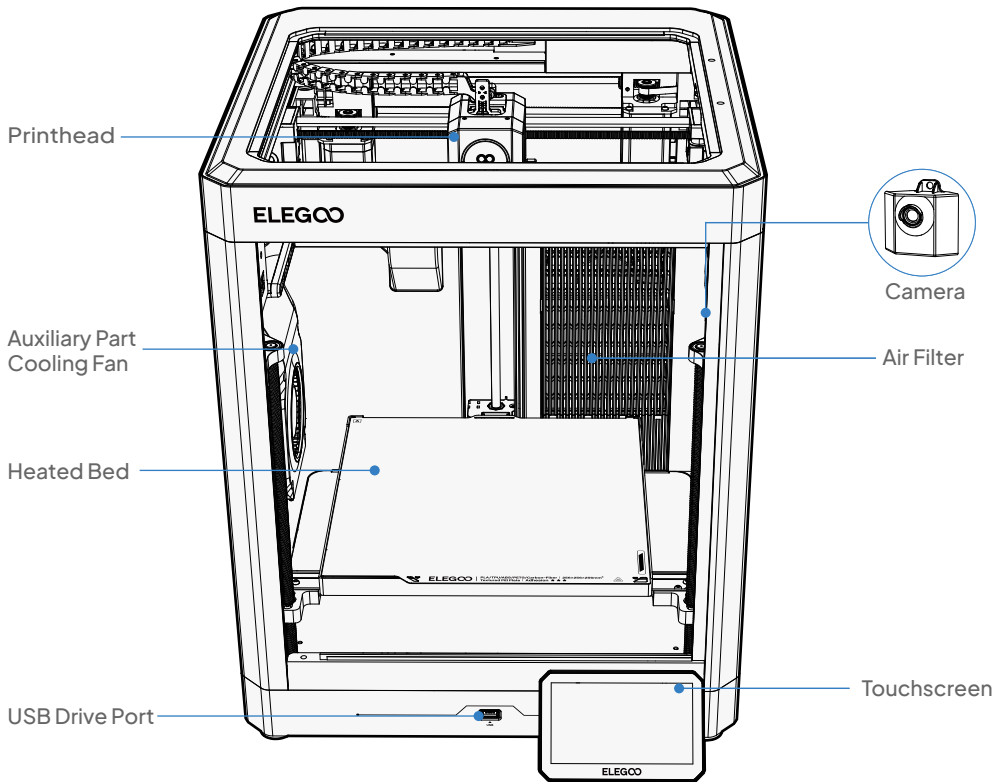
- Machine Size: 500\*480\*743mm
- Net Weight: 19.35kg

## Software Specifications

- Slicer Software: ElegooSlicer (Recommended)
- Input File Format: STL, OBJ, 3MF, STEP
- Output File Format: G-code
- Connectivity: USB Drive, Wi-Fi

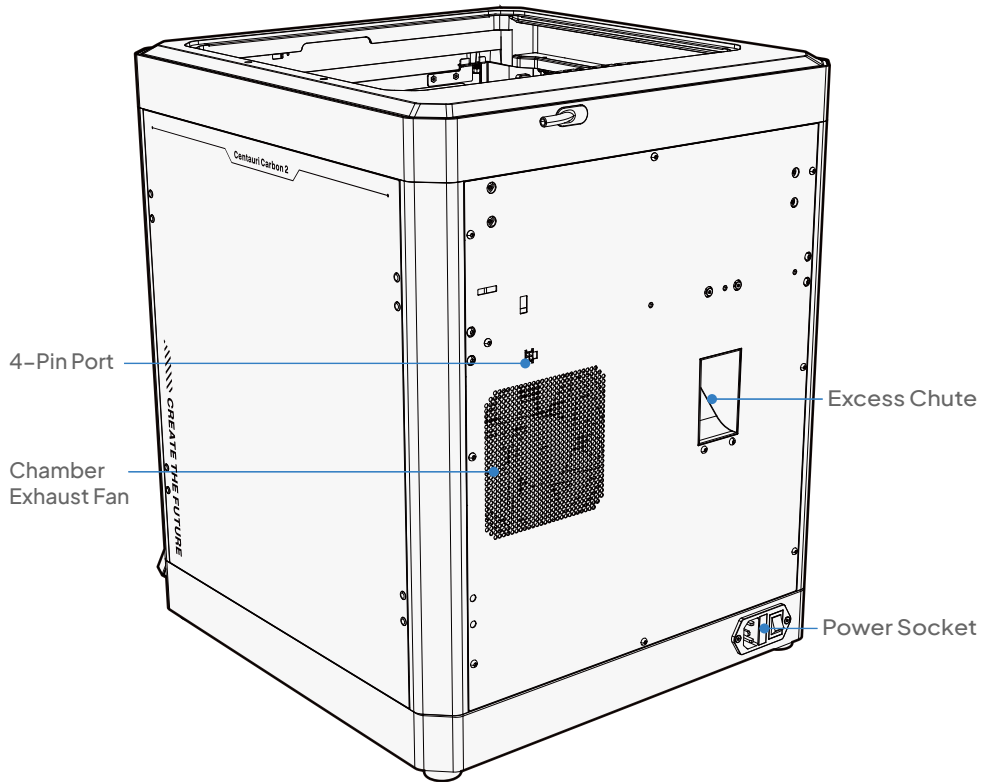
## Printer Component Introduction

---



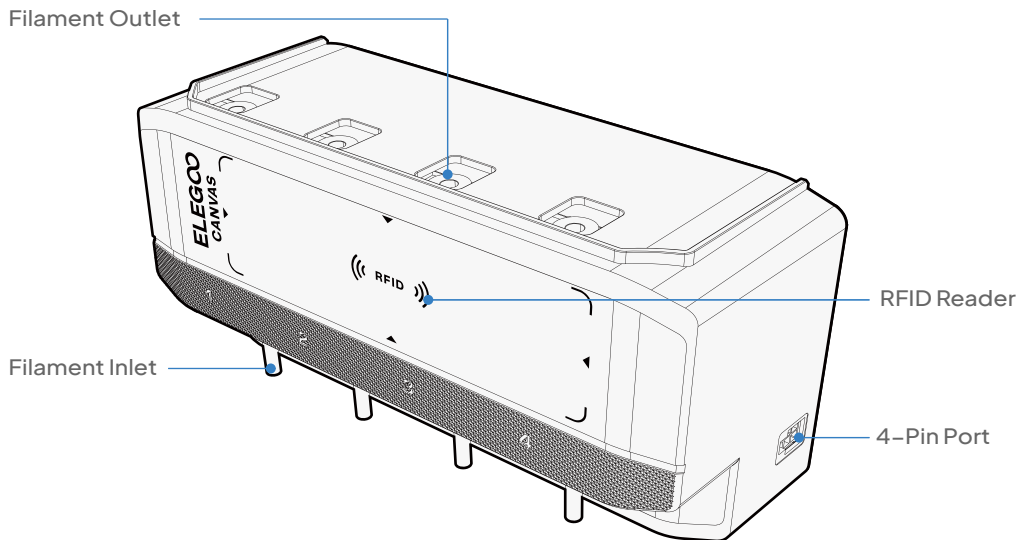
# Printer Component Introduction

---



## CANVAS Component Introduction

---

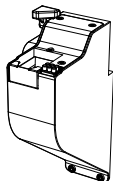


## Included Accessories

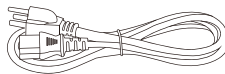
---



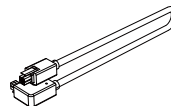
Touchscreen



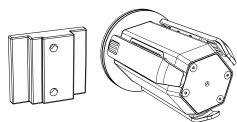
Nozzle Wiper Assembly



Power Cord



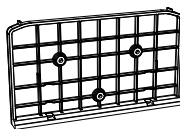
4-Pin Cable



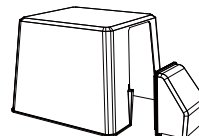
Spool Holder Module (x4)  
(2 Left, 2 Right)



Filament Hub



CANVAS Mounting Bracket



Thermal cover



User Manual

## Tool Kit

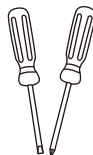
---



Unclogging Pin



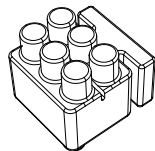
(1.5/2.0/2.5/3.0 mm)  
Allen Key



Screwdriver



Filament Sample



Spare Nozzle Wiper



USB Drive



Scraper Blade



PTFE Tube (x4)



PM3×6 (x2) — Filament Hub



PA3×10 (x2) — Scraper Blade



PM3×8 (x5) — CANVAS Feeding Module & Nozzle Wiper Assembly



HM3×14 (x8) — Spool Holder



PM3×50 (x2) — CANVAS Mounting Bracket

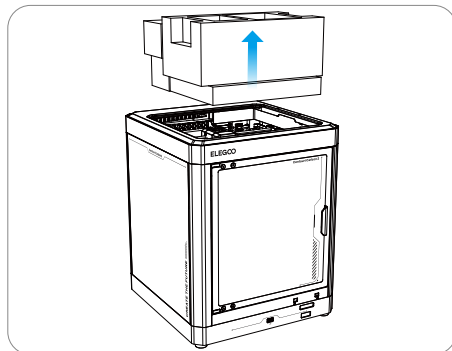


FM3×12 (x2) — Nozzle Wiper Assembly

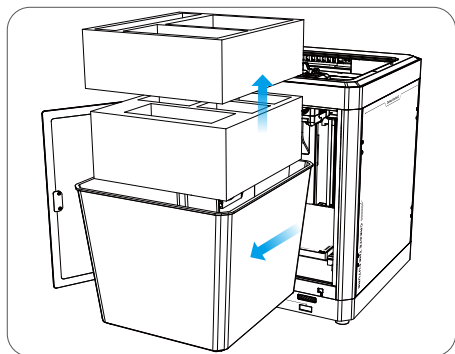
## Remove the Package



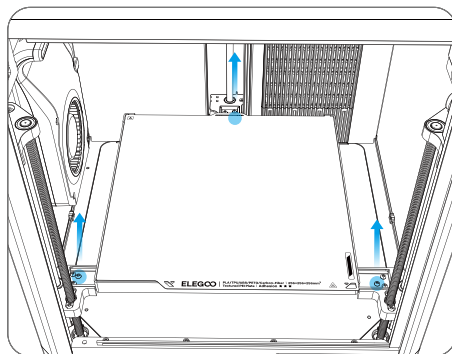
Scan for tutorial



1. Take out the foam, touchscreen, and toolbox from the printer.

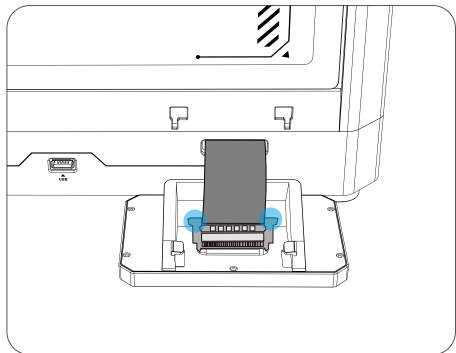


2. Open the glass door and take out the thermal cover. Then, remove the foam, nozzle wiper assembly, and CANVAS module inside the enclosure.

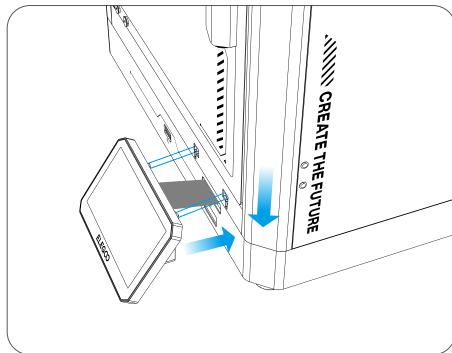


3. Use the 2.5 mm allen key to remove the 3 screws marked in blue to unlock the heated bed.

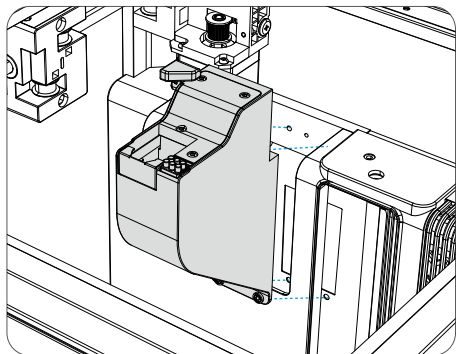
## Install the Printer



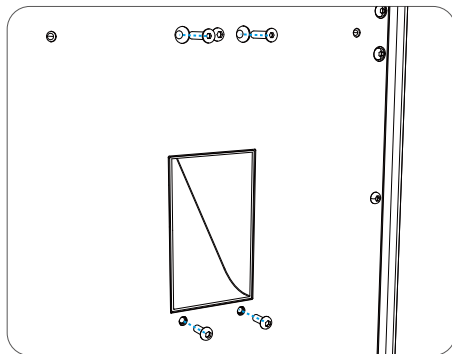
1. Insert the Flexible Printed Circuit (FPC) into the touchscreen port by pressing the terminal as pictured. Make sure the gold contacts face upwards for correct orientation.



2. Insert the screen into the slot on the printer and press down to lock it in place.

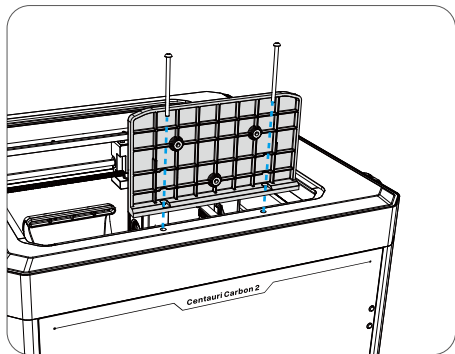


3. Align the nozzle wiper assembly with the screw holes on the rear panel.

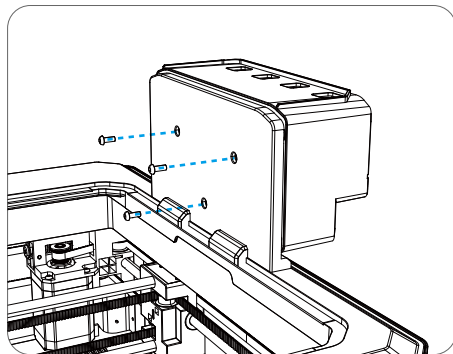


4. Secure the top with 2 FM3×12 screws and the bottom with 2 PM3×8 screws to complete the wiper assembly installation.

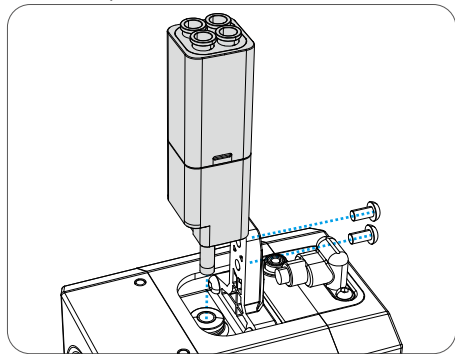
## Install the CANVAS



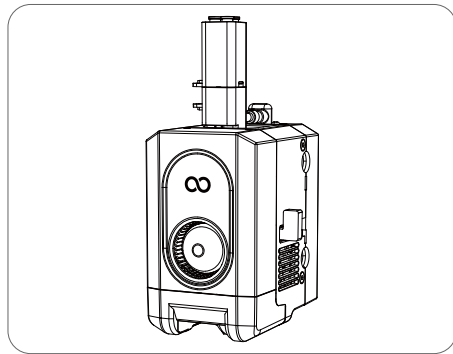
1. Attach the CANVAS mounting bracket to the machine using 2 PM3×50 screws. (Remove any silicone plugs from the top mounting holes before installation.)



2. Mount the CANVAS feeding module onto the bracket using 3 PM3×8 screws.

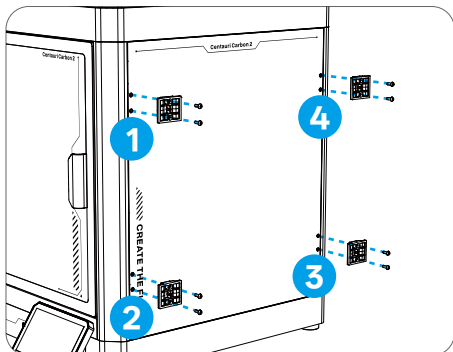


3. Install the filament hub onto its bracket. Insert the hub's metal tube downward into the printhead's pneumatic fitting, then secure with 2 PM3×6 screws.

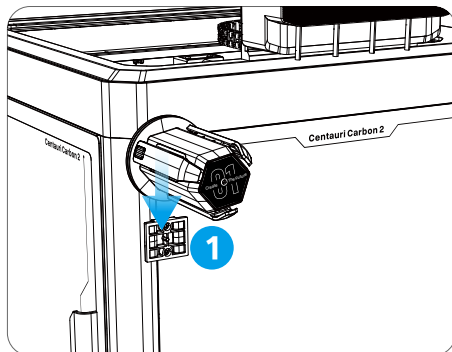


4. The filament hub installation is now complete.

## Install the CANVAS

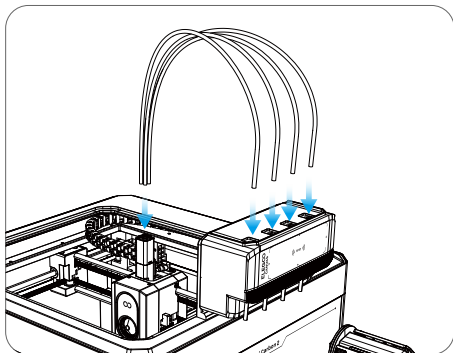


5. Mount the spool holder bracket to the side panel using 8 HM3×14 screws.

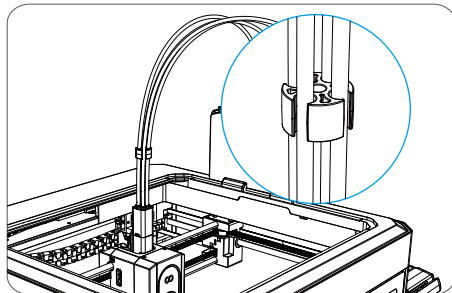


6. Push each spool holder down into the mounting bracket until it snaps into place. Repeat this for all four holders.

**Note:** Make sure each holder is installed in its designated numbered position to ensure the filament recycling function works properly.

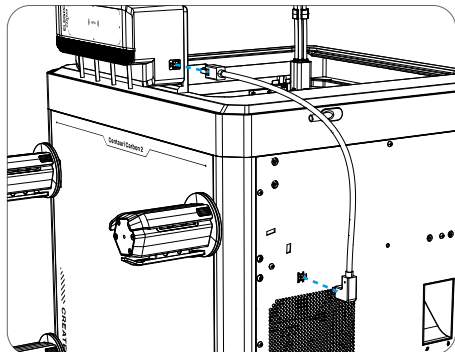


7. Connect the four PTFE tubes between the pneumatic fittings on the CANVAS module and the filament hub.

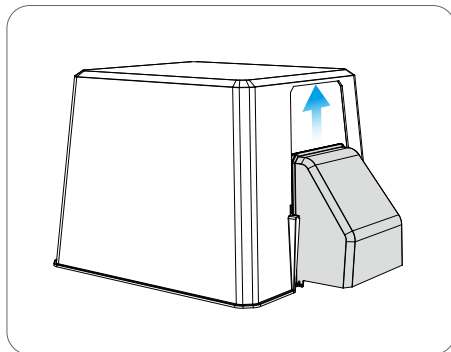


8. Use the clips to bundle the four tubes neatly together.

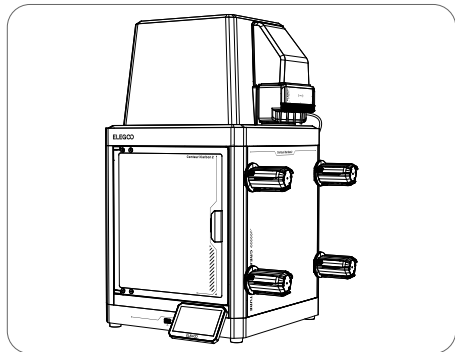
## Install the CANVAS



9. Connect the printer and CANVAS with the 4-pin cable, angled end into the printer's back panel, straight end into the right side of the CANVAS.

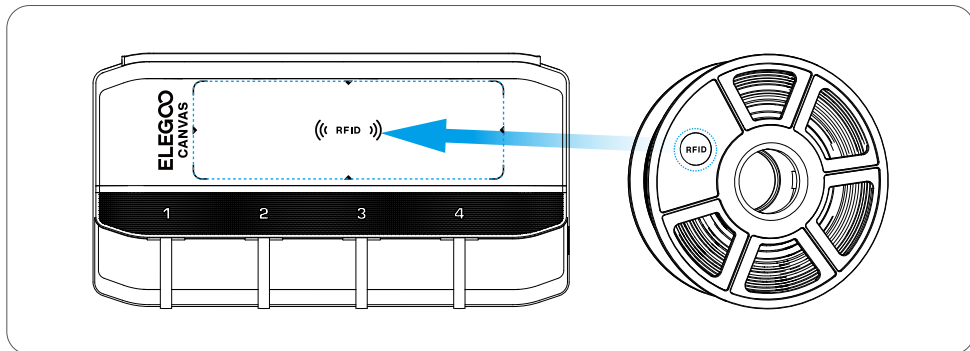


10. Align the extension piece with the main thermal cover and push upward until it snaps into place. Then seat the thermal cover onto the printer.

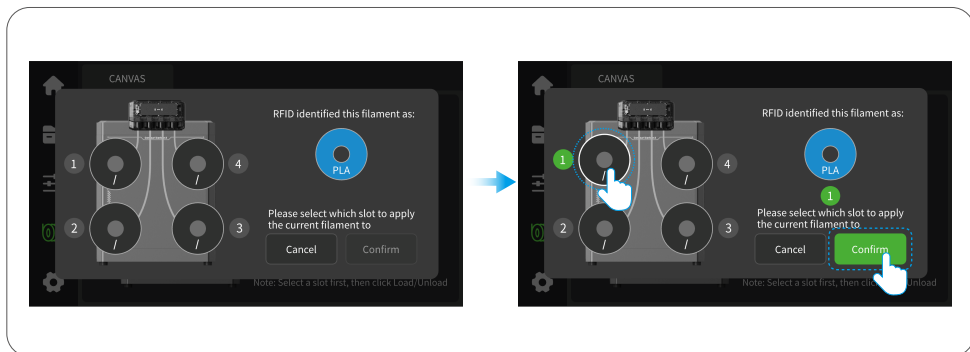


11. The CANVAS installation is now complete.

## Load the Filament

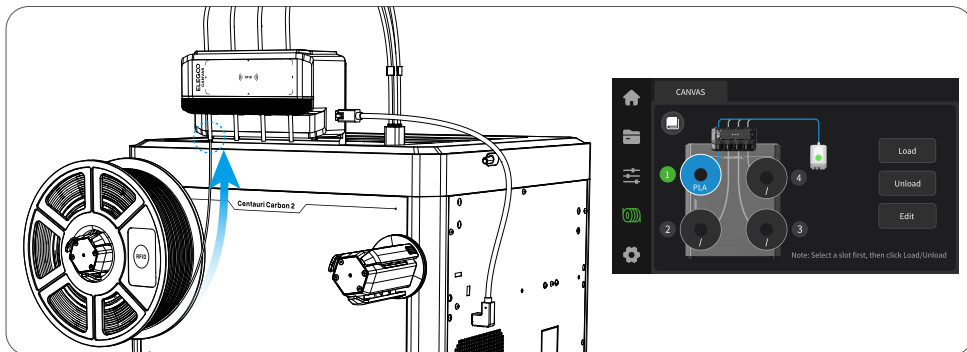


1. For RFID-enabled spools, hold the tag against the recognition area on the CANVAS until you hear a confirmation beep.

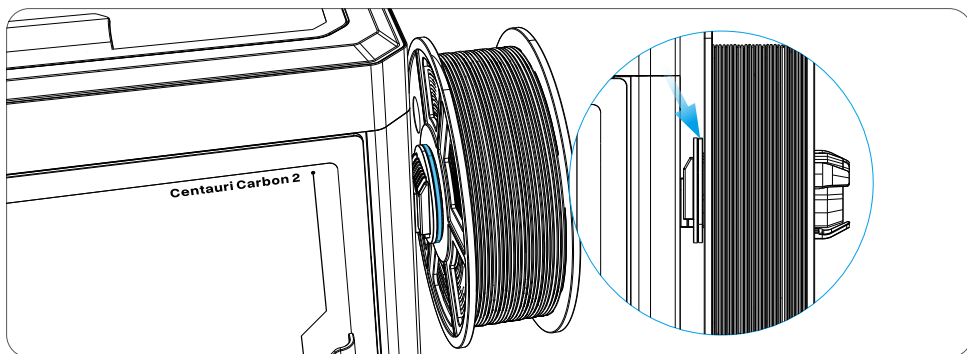


2. Select the holder for your spool and click "Confirm" to automatically register the material.

## Load the Filament

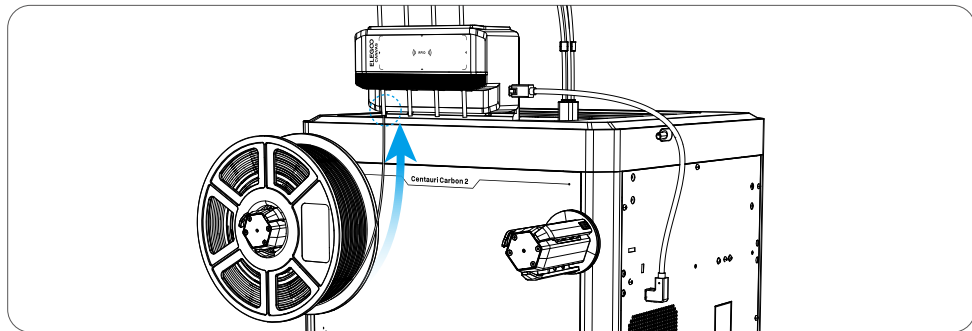


3. Mount the spool on its numbered holder and insert the filament into the matching inlet on the CANVAS. The filament will be detected and automatically fed to the ready position.
4. Repeat this process for any additional spools.

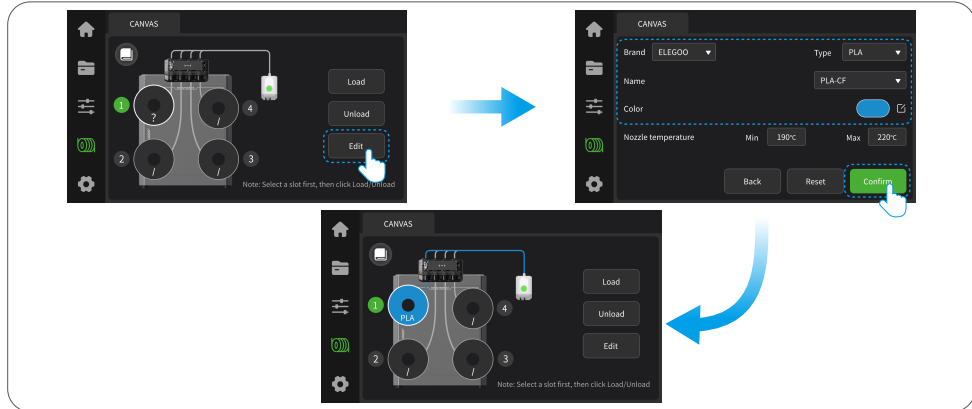


Note: Ensure the spool is fully seated and secured against the retaining edge of the holder to prevent accidental spool drop and filament tangling.

## Load the Filament



1. For spools without RFID tags, manually enter the filament information.

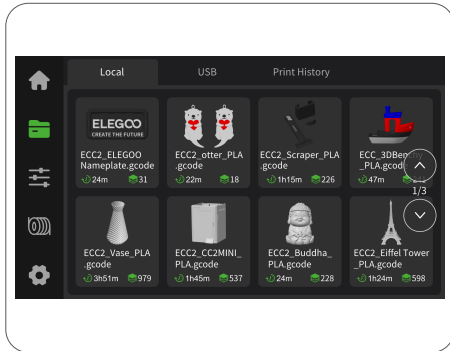


2. Enter the material details (brand, type, color) for each spool on the screen.

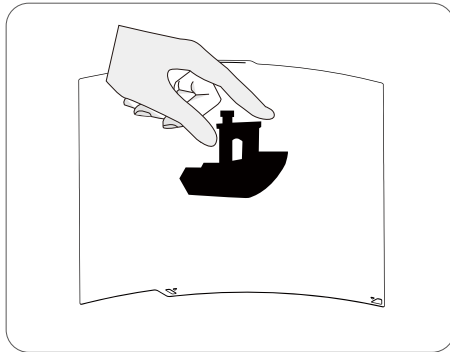
3. Complete the loading for all non-RFID spools.

Note: Filament with RFID tags can also be registered manually if preferred.

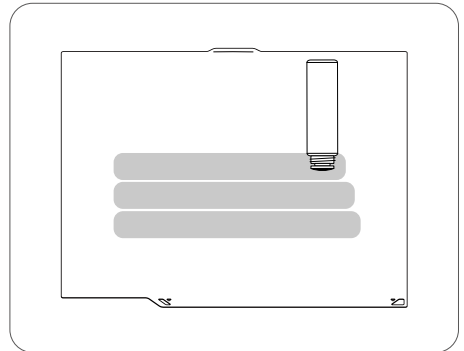
# First Print



1. Go to **[G]** - **[Local]** and select a model to start a test print. (Tip: Long-press files on the USB drive to import them to local storage.)



3. After the printed model cools, remove the flexible build plate and gently bend it to release the model. (Avoid over-bending to prevent permanent deformation of the plate.)



2. To maintain optimal adhesion, regularly clean the build plate with warm water and dish soap. For even better grip, you can also apply a bed adhesive.

# ElegooSlicer

Install the ElegooSlicer software from the included USB drive. Select the appropriate installation package for your computer system.


\*Update the software if prompted after installation.

\*Installation packages: .exe (Windows), x86\_64.dmg (Intel Mac), arm64.dmg (M-series Mac).


1. After successful installation, follow the setup wizard to configure your printer and filament settings.

## Printer Selection


**Elegoo** All Clear all



**Elegoo Centauri Carbon 2**  
 0.4mm nozzle  
 0.2mm nozzle  
 0.6mm nozzle  
 0.8mm nozzle



**Elegoo Centauri Carbon**  
 0.4mm nozzle  
 0.2mm nozzle  
 0.6mm nozzle  
 0.8mm nozzle



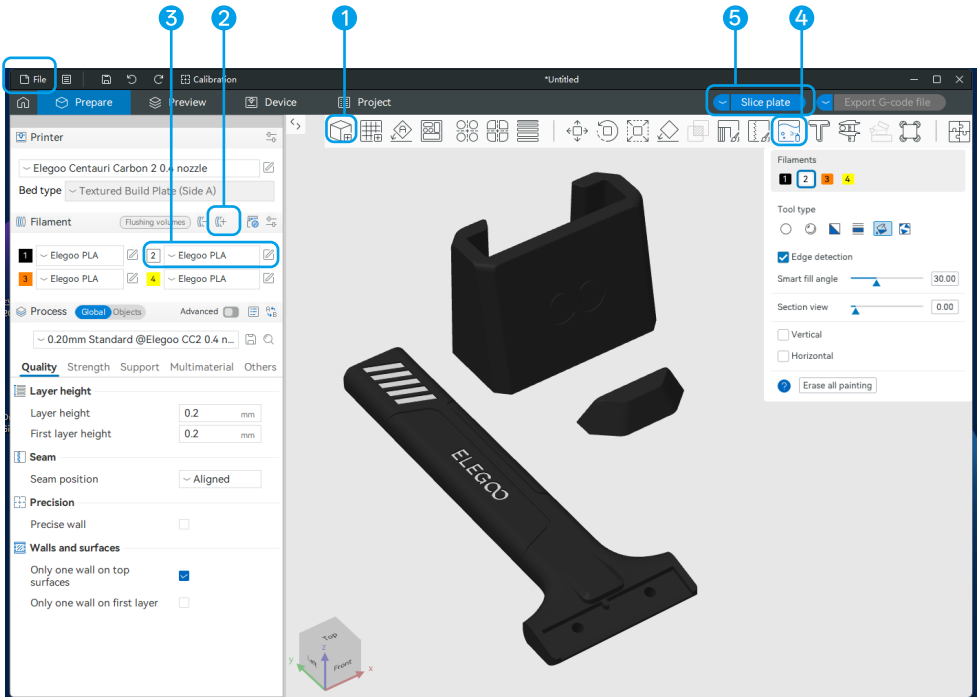
**Elegoo Centauri**  
 0.4mm nozzle  
 0.2mm nozzle  
 0.6mm nozzle  
 0.8mm nozzle

Confirm Cancel

# ElegooSlicer

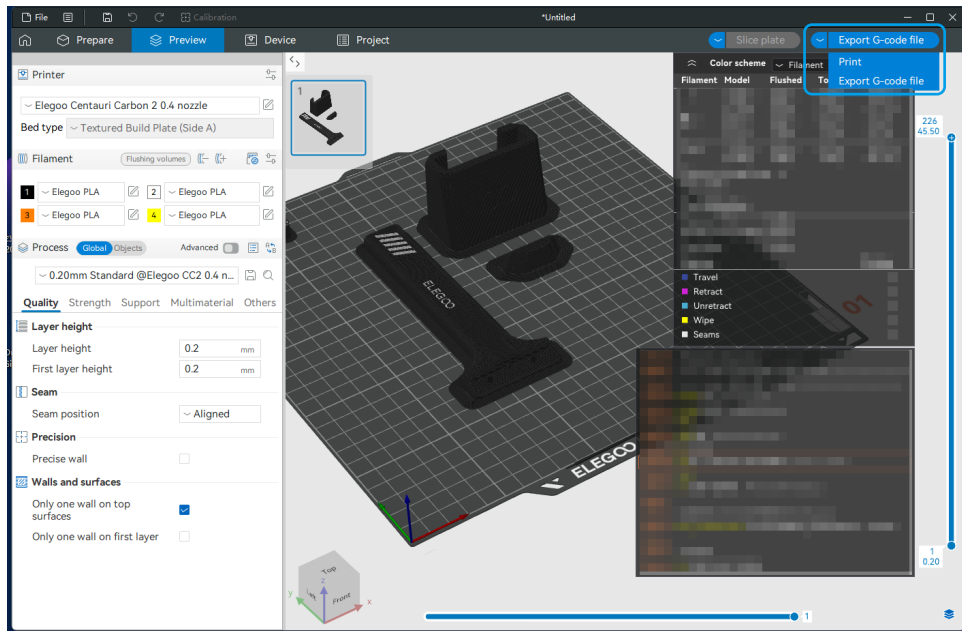
2. To slice a multi-color model:

- 1 Drag and drop a model file into the slicer, or click “File” in the upper-left corner to import a model. Try one of the included sample files for your first test.
- 2 Click “+” on the left toolbar to add filament.
- 3 Set the filament type and color for each spool.
- 4 Select the model, then click “Color painting” in the upper right (or press N) to enter paint mode.
- 5 Click “Slice plate” and wait for the process to complete.



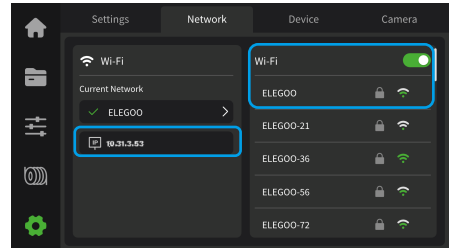
# ElegooSlicer

3. When slicing is complete, click “Print” in the upper-right corner to send the file to your printer (ensure it is connected—see page 19), or select “Export G-code” to save it to the USB drive for offline printing.

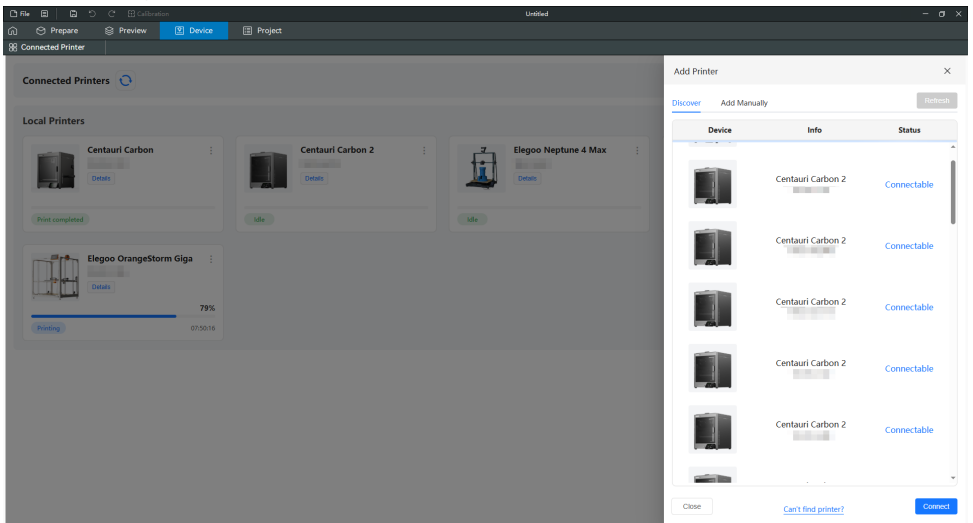


# LAN (Network) Printing

1. Connect your printer to Wi-Fi through the network settings. The assigned IP address will display once successfully connected (as shown in the right figure).



2. Ensure your computer and printer are on the same local network. In ElegooSlicer's Device tab, click "Add Printer" (upper-right), double-click your printer from the detected devices list, and click "Connect" to complete pairing.



# LAN (Network) Printing

3. Monitor print jobs directly through ElegooSlicer, where you can start, pause, or stop prints as needed.

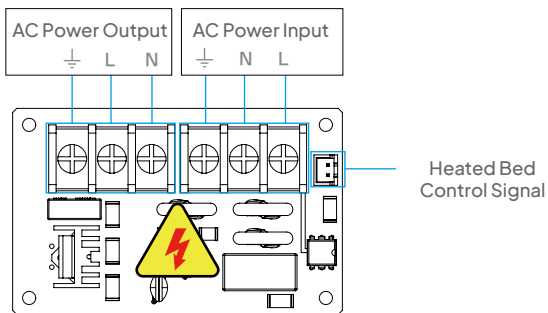
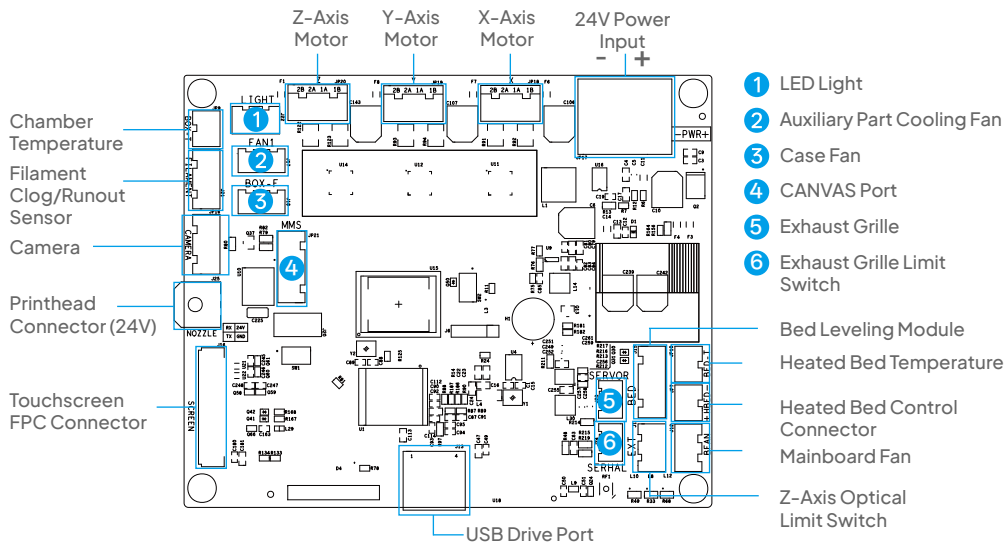
The screenshot displays the ElegooSlicer software interface. At the top, there are navigation tabs: Home, Prepare, Preview, **Device**, and Project. Below these are several status indicators for connected devices, all showing the IP address 192.168.3.123. The main interface is divided into several sections:

- Control Panel:** Features a central joystick for movement (Z+, Z-, X+, X-, Y+, Y-), a 'Layer' button, and settings for layer thickness (1mm, 10mm, 100mm), print speed (100%), and other options like Model, Assistance, Chamber, and LED.
- Local File List:** A table showing a list of files with columns for File Name, File Size, Layer Height, Creation Time, and Filament Length.
- Video Monitoring:** A window showing a live video feed of the printer's interior, with a play/pause button overlaid.
- Filament Management:** A section with a diagram of the filament spool holder and buttons for 'Unload', 'Load', and 'Edit'. It includes a note: 'Note: Select a slot first, then click Load/Unload'.
- Temperature:** A section showing the current and target values for the nozzle, currently set at 200 °C.

File Name	File Size	Layer Height	Creation Time	Filament Length
ECC_0-4_30Benchy_PLA02_4h2m.gco...	1.68MB	1280	2025-05-03 17:05:14	14.2g
ECC_0-4_30Benchy_PLA02_4h2m.gco...	1.68MB	1050	2025-05-03 17:05:14	14.2g
ECC_0-4_30Benchy_PLA02_4h2m.gcode	1.68MB	564	2025-05-03 17:05:14	23.1g
ECC_0-4_30Benchy_PLA02_4h2m.gcode	1.68MB	564	2025-05-03 17:05:14	23.1g
ECC_0-4_30Benchy_PLA02_4h2m.gcode	1.68MB	564	2025-05-03 17:05:14	23.1g
ECC_0-4_30Benchy_PLA02_4h2m.gcode	1.68MB	564	2025-05-03 17:05:14	23.1g
ECC_0-4_30Benchy_PLA02_4h2m.gcode	1.68MB	564	2025-05-03 17:05:14	23.1g

4. For complete software instructions, refer to the *ElegooSlicer User Manual* on the included USB drive.

# Mainboard Connections

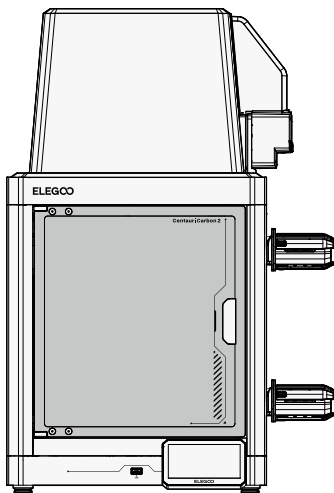


## Warranty Statement

---

- ELEGOO printers are covered by a warranty from the date of receipt. Warranty periods for different components may vary. For more details, please visit our website (<https://www.elegoo.com/pages/refund-policy>).
- The free warranty does NOT include problems caused by self-disassembly and improper use, and wear and tear of the machine housing, etc.

ELEGOO



---

**Happy Printing!**

[www.elegoo.com](http://www.elegoo.com)