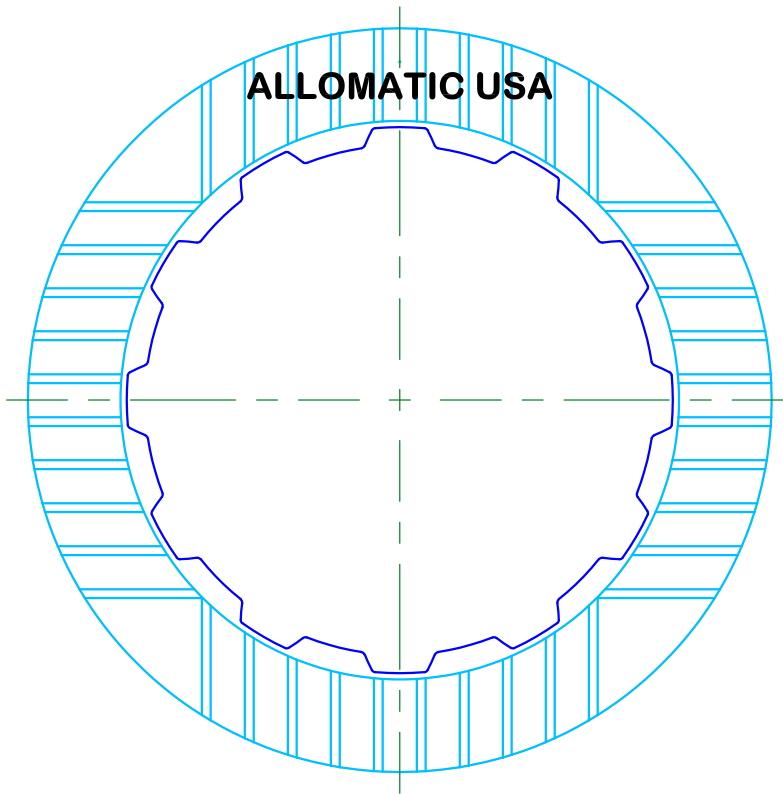


CLUTCH PLATE DATA:		PART NUMBER 2819	GENERAL MOTORS 4L30E HIGH-ENERGY 1998-UP 3rd CLUTCH
NUMBER OF TEETH	12		
OUTSIDE DIAMETER	3.875±.010	ALLOMATIC 609 EAST CHANEY STREET SULLIVAN, INDIANA 47882 www.alloomatic.com	
FRICTION MATERIAL	KEVLAR Blk		
OVERALL THICKNESS	.063±003		



10/15/03