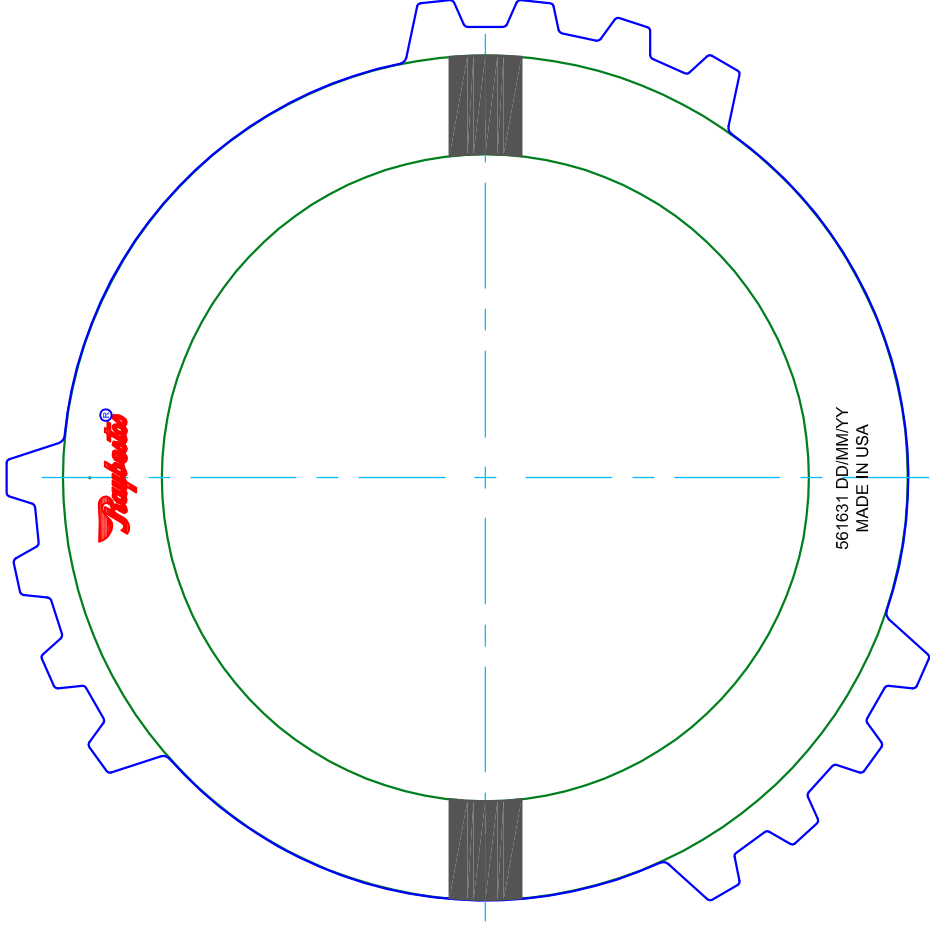


05/09/06



**FRICTION PLATE SPECIFICS**

NUMBER OF TEETH	12/30
OUTSIDE DIAMETER	4.404±.005
FRICTION MATERIAL	GREEN
OVERALL THICKNESS	0.082±0.003
DRAWING SCALE	1:1

**APPLICATION**

Transmission	Clutch Pack	Year Coverage
440-T4	THIRD	1982-1988
SINGLE SIDED		

**Raybestos**  
POWERTRAIN  
964 EAST MARKET STREET  
CRAWFORDSVILLE, IN 47933

PART NUMBER  
**R561631**