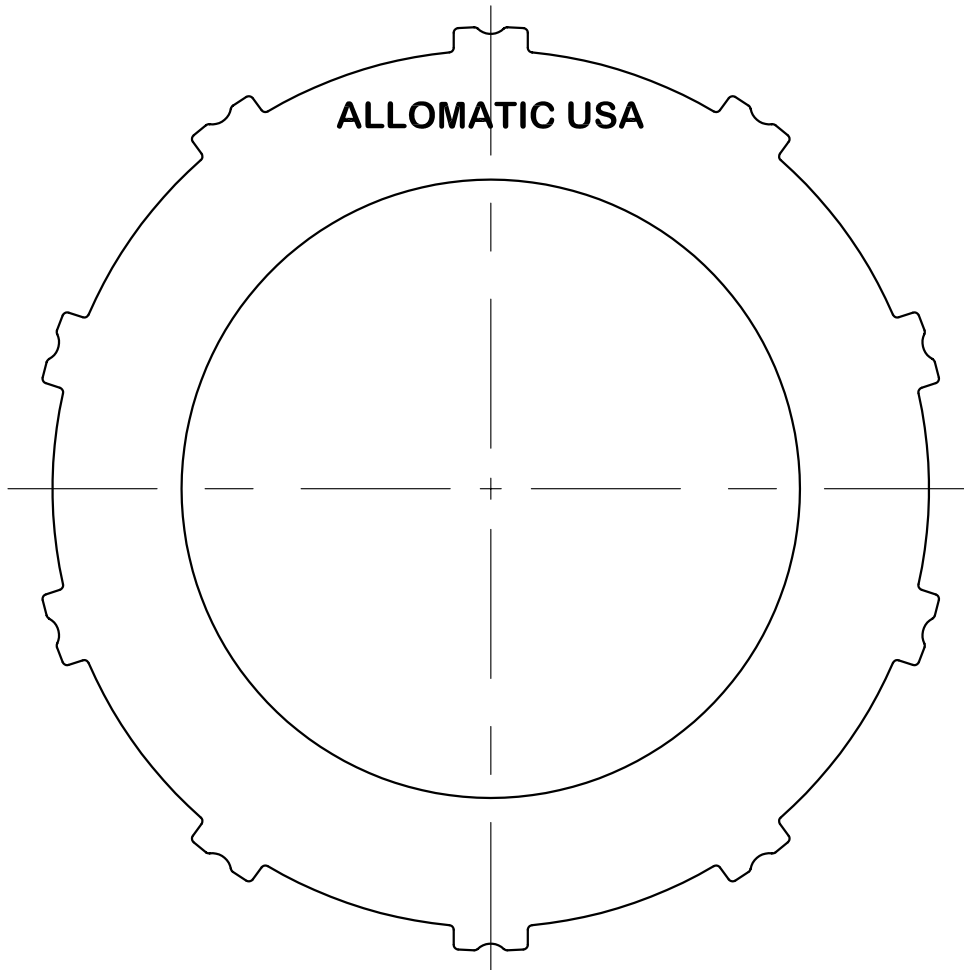


<b>CLUTCH PLATE DATA:</b>		PART NUMBER <h1>1050</h1>	<b>HONDA</b> <b>4 SPEED</b> <b>SRX4, MDLA</b> <b>1996-UP</b>
NUMBER OF TEETH	10		
OUTSIDE DIAMETER	4.810±.010	<b>ALLOMATIC</b> 609 EAST CHANEY STREET SULLIVAN, INDIANA 47882  <a href="http://www.allomatic.com">www.allomatic.com</a>	<b>1st</b>
INSIDE DIAMETER	3.220±.010		
OVERALL THICKNESS	.063±.003		



SLO.04/09/03