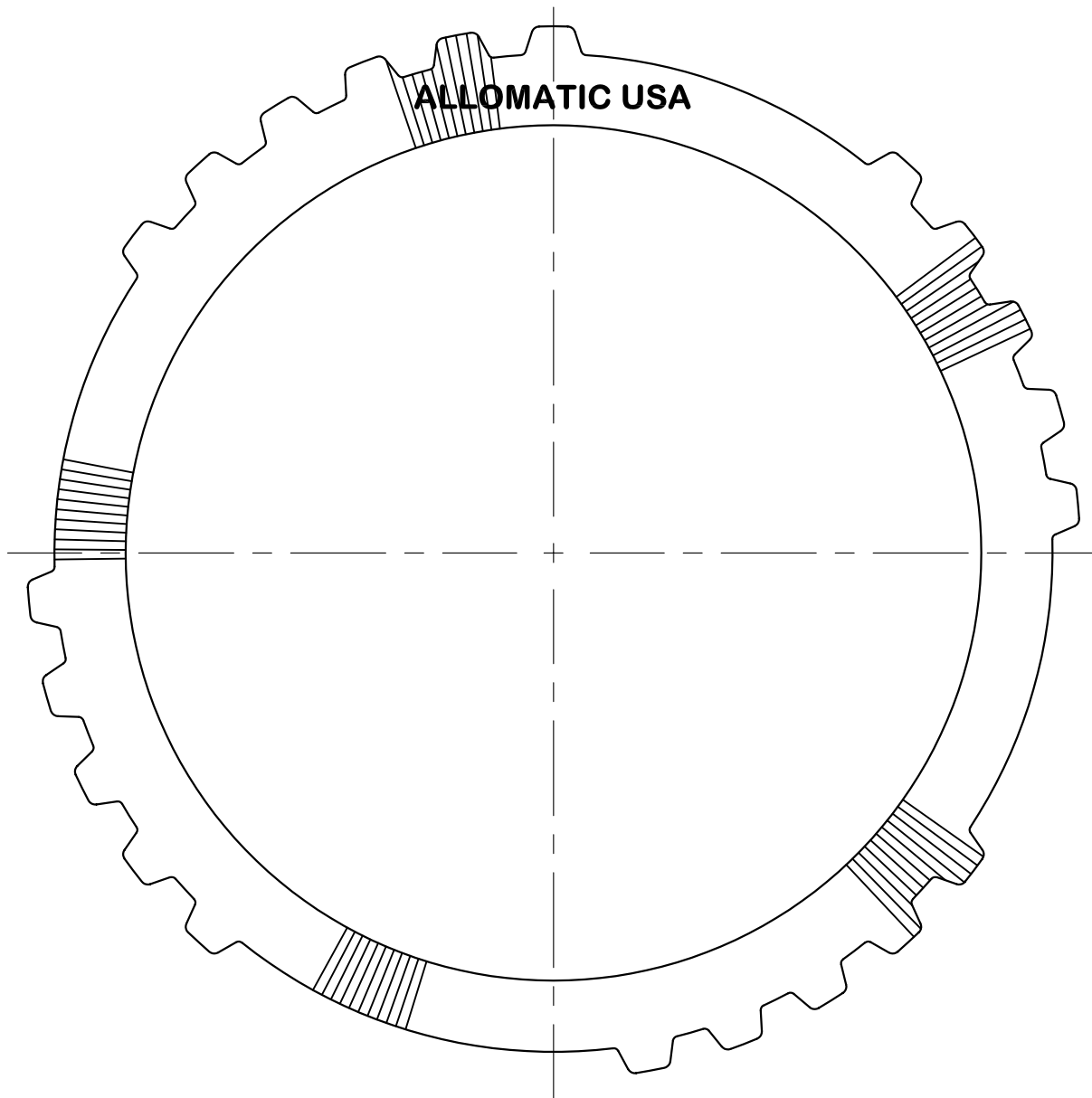


CLUTCH PLATE DATA:		PART NUMBER 1141	FORD AXOD, AXOD-E, AX4S 1993-UP
NUMBER OF TEETH	21		
OUTSIDE DIAMETER	6.065±.010	ALLOMATIC 609 EAST CHANEY STREET SULLIVAN, INDIANA 47882 www.allomatic.com	FORWARD - WAVED
INSIDE DIAMETER	4.925±.010		
OVERALL THICKNESS	.083±.003		



07/22/03