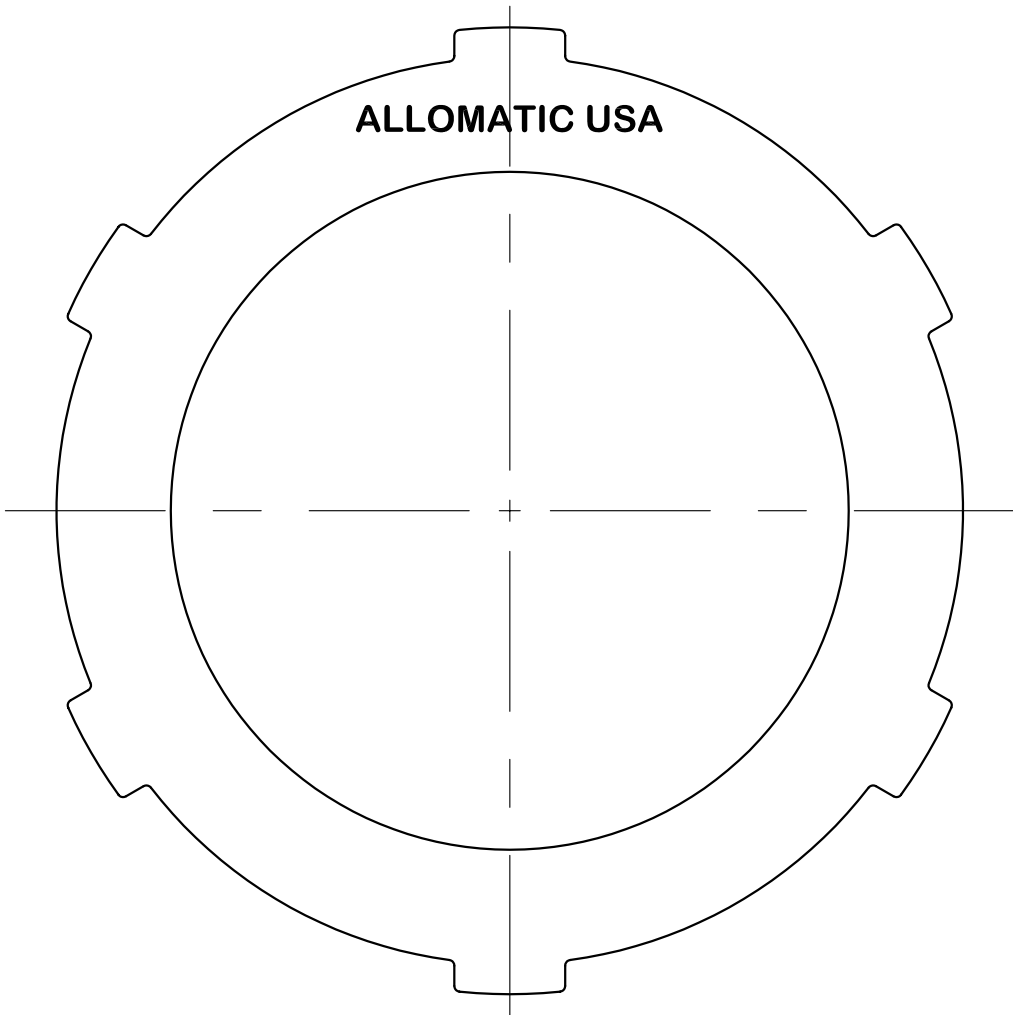


<b>CLUTCH PLATE DATA:</b>		PART NUMBER <b>1745</b>	<b>MERCEDES</b> 722.4 1984-UP K1
NUMBER OF TEETH	6		
OUTSIDE DIAMETER	5.035±.010	<b>ALLOMATIC</b> 609 EAST CHANEY STREET SULLIVAN, INDIANA 47882  <a href="http://www.alloomatic.com">www.alloomatic.com</a>	<b>FRONT</b>
INSIDE DIAMETER	3.530±.010		
OVERALL THICKNESS	.138±.003		



04/10/03