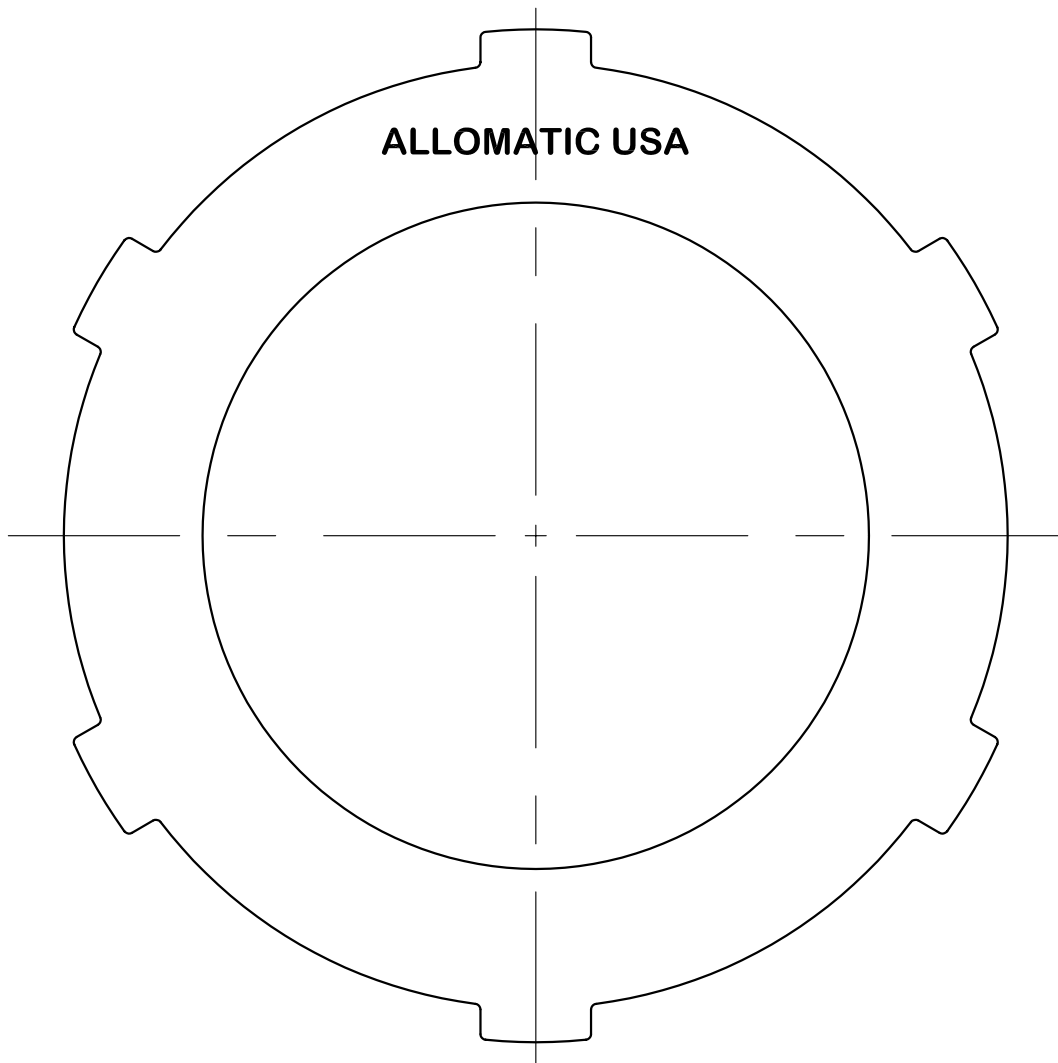


CLUTCH PLATE DATA:		PART NUMBER 1775	MERCEDES W5A030 1981-UP
NUMBER OF TEETH	6		
OUTSIDE DIAMETER	5.275±.010	ALLOMATIC 609 EAST CHANEY STREET SULLIVAN, INDIANA 47882 www.alloomatic.com	K2 STEEL .197
INSIDE DIAMETER	3.470±.010		
OVERALL THICKNESS	.197±.003		



04/16/03