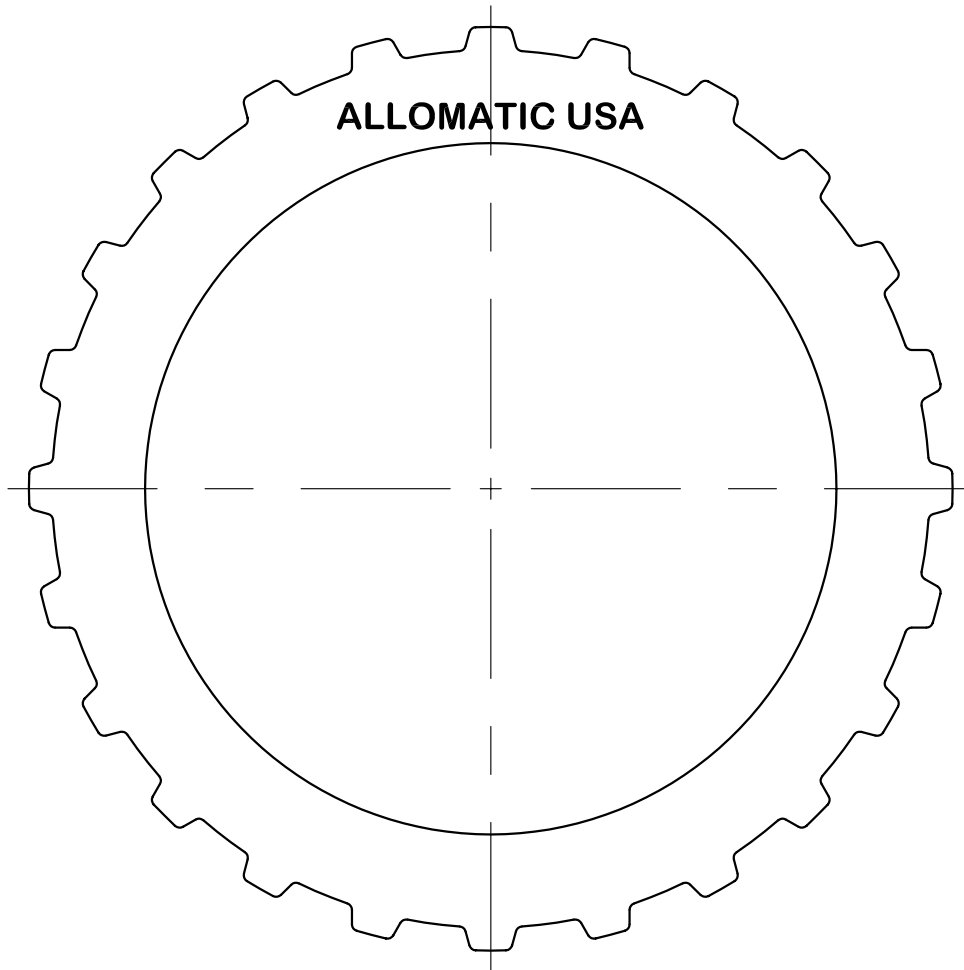


CLUTCH PLATE DATA:		PART NUMBER 1946	HONDA M6HA 1997-UP
NUMBER OF TEETH	24		
OUTSIDE DIAMETER	4.810±.010	ALLOMATIC 609 EAST CHANEY STREET SULLIVAN, INDIANA 47882 www.alloomatic.com	1st STEEL
INSIDE DIAMETER	3.600±.010		
OVERALL THICKNESS	0.079±.003		



03/06/03