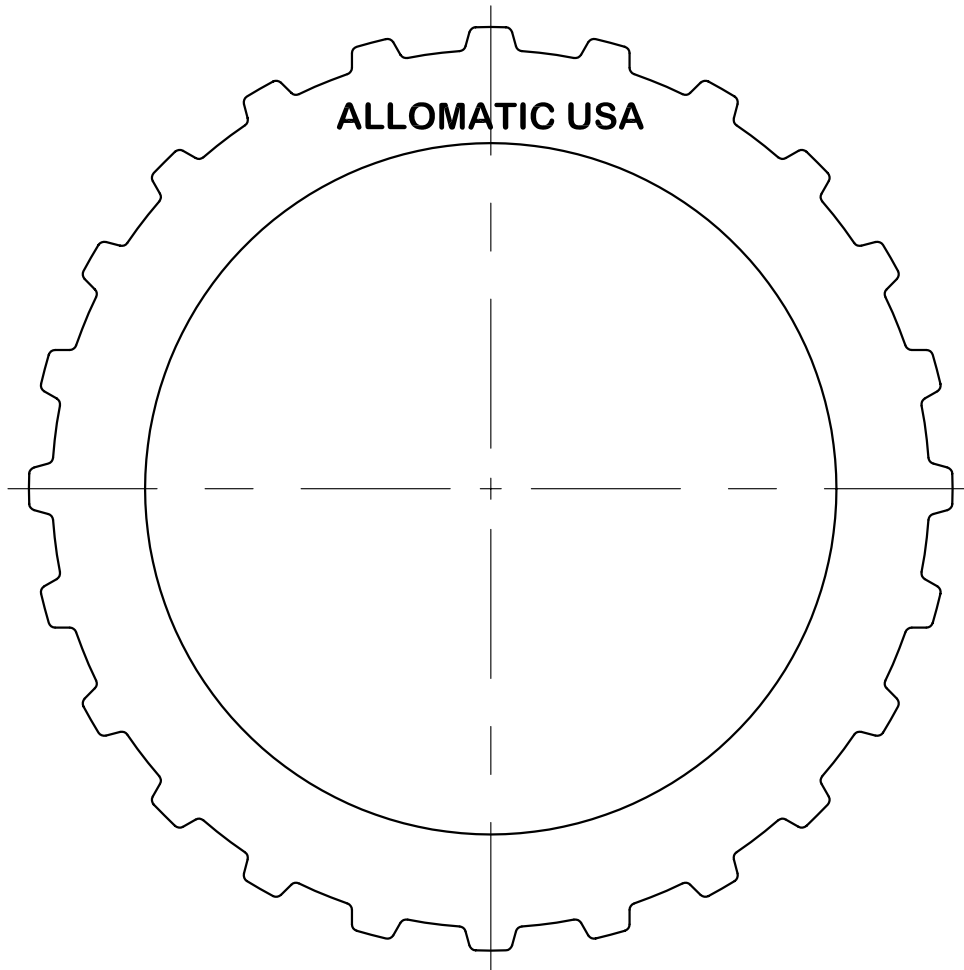


CLUTCH PLATE DATA:		PART NUMBER <h1>1947</h1>	HONDA M6HA 1997-UP
NUMBER OF TEETH	24		
OUTSIDE DIAMETER	4.810±.010	ALLOMATIC 609 EAST CHANEY STREET SULLIVAN, INDIANA 47882 www.alloomatic.com	2nd STEEL
INSIDE DIAMETER	3.600±.010		
OVERALL THICKNESS	0.063±.003		



04/09/03