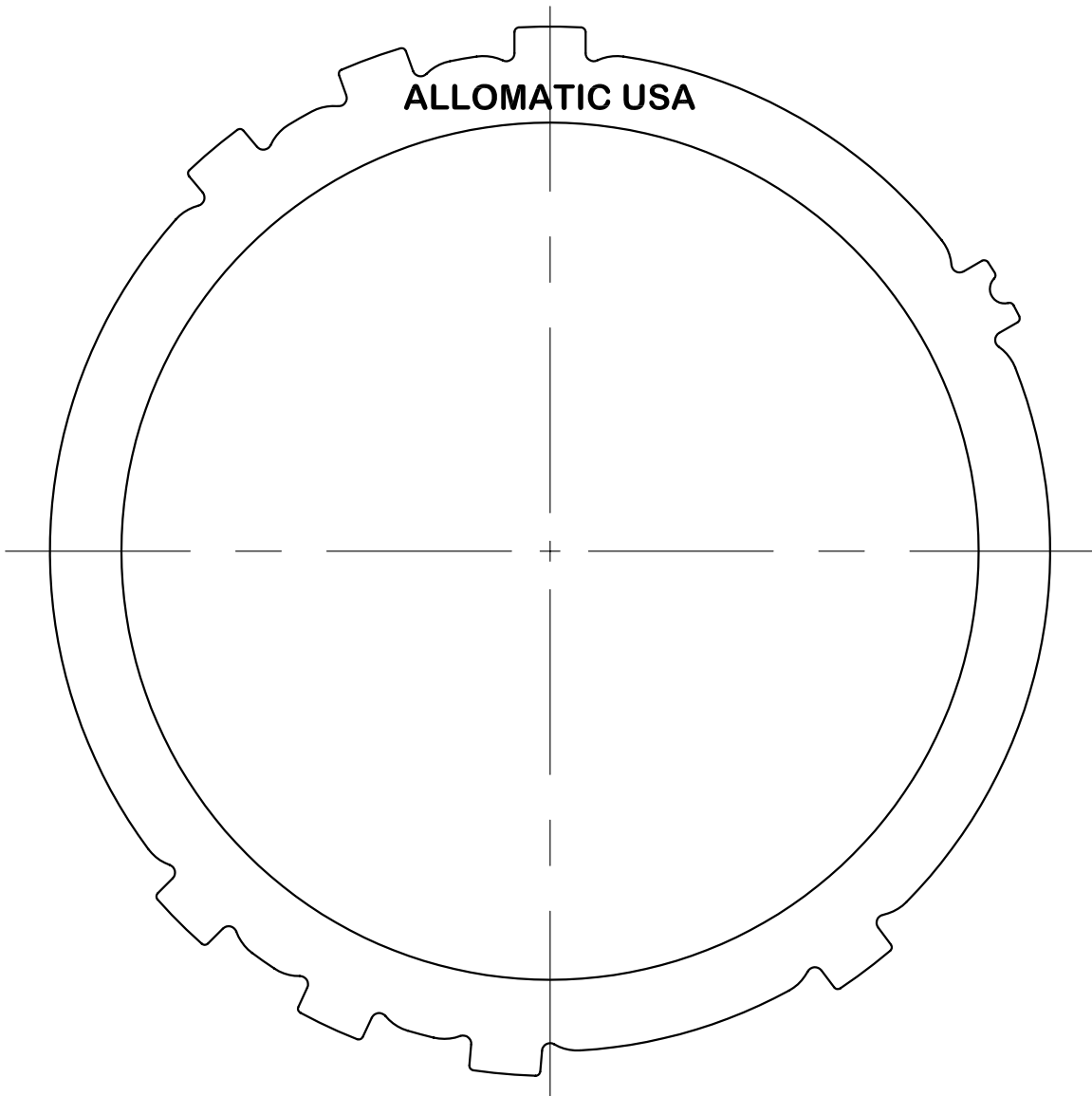


CLUTCH PLATE DATA:		PART NUMBER 1969	NISSAN RE5R01A 1991-UP
NUMBER OF TEETH	8		
OUTSIDE DIAMETER	5.760±.010	ALLOMATIC 609 EAST CHANEY STREET SULLIVAN, INDIANA 47882 www.allomatic.com	REDUCTION BRAKE
INSIDE DIAMETER	4.705±.010		
OVERALL THICKNESS	.079±.003		



04/10/03