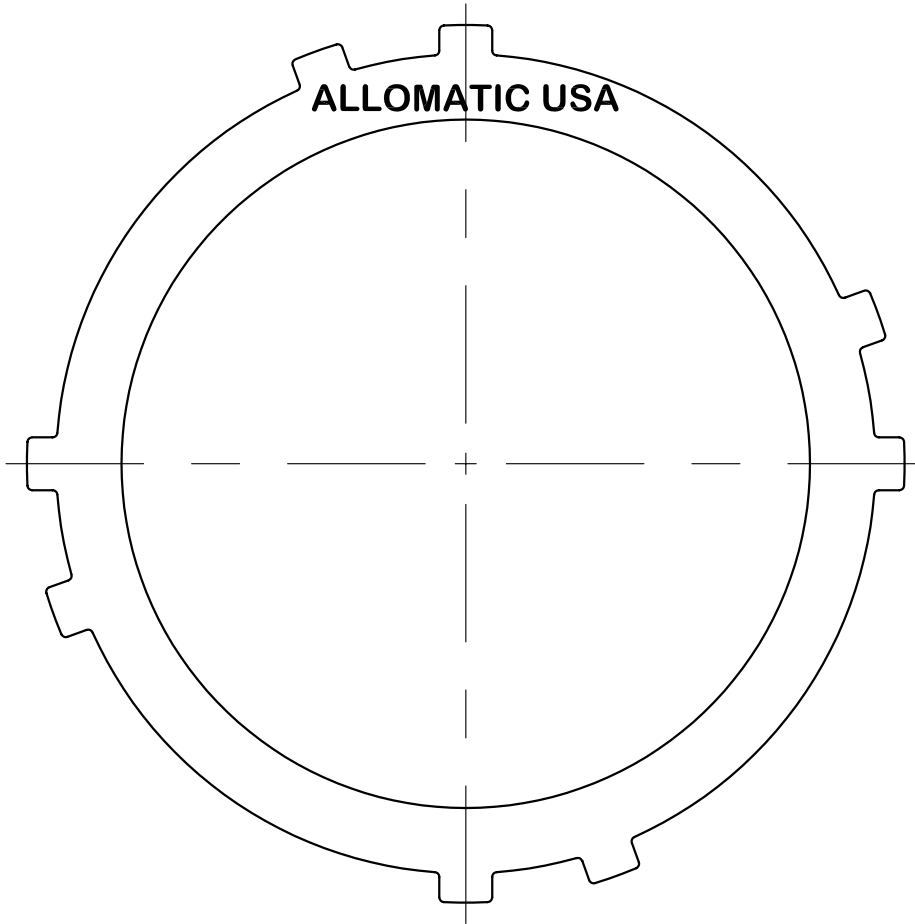


<b>CLUTCH PLATE DATA:</b>		PART NUMBER <h1>1994</h1>	AISIN WARNER 50-40LE
NUMBER OF TEETH	8		
OUTSIDE DIAMETER	4.570±.010	<b>ALLOMATIC</b> 609 EAST CHANEY STREET SULLIVAN, INDIANA 47882 <a href="http://www.alloomatic.com">www.alloomatic.com</a>	COAST / UNDERDRIVE
INSIDE DIAMETER	3.585±.010		
OVERALL THICKNESS	.071±.003		



03/06/03