

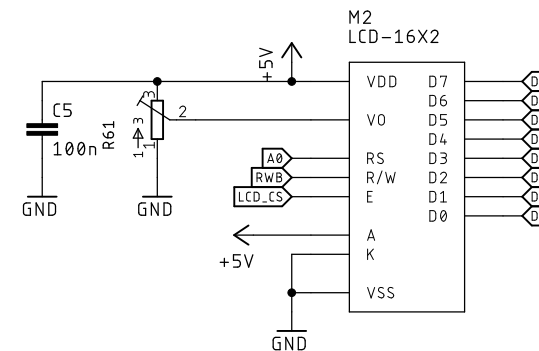
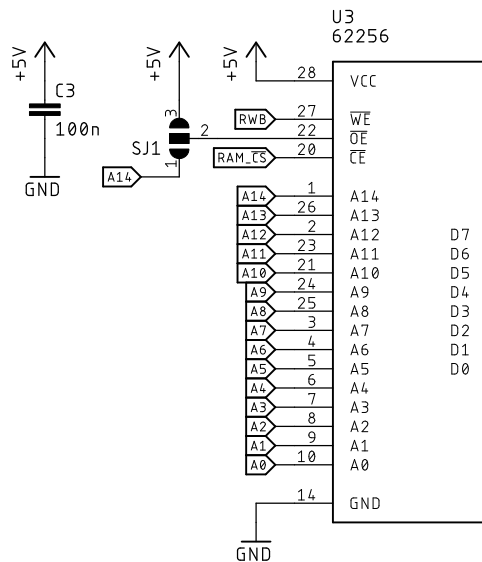
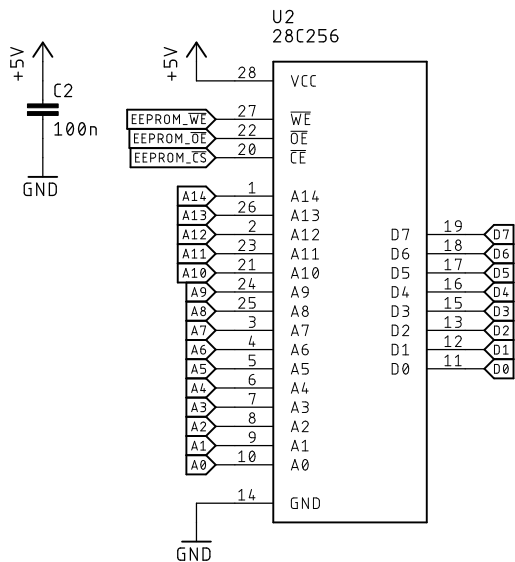
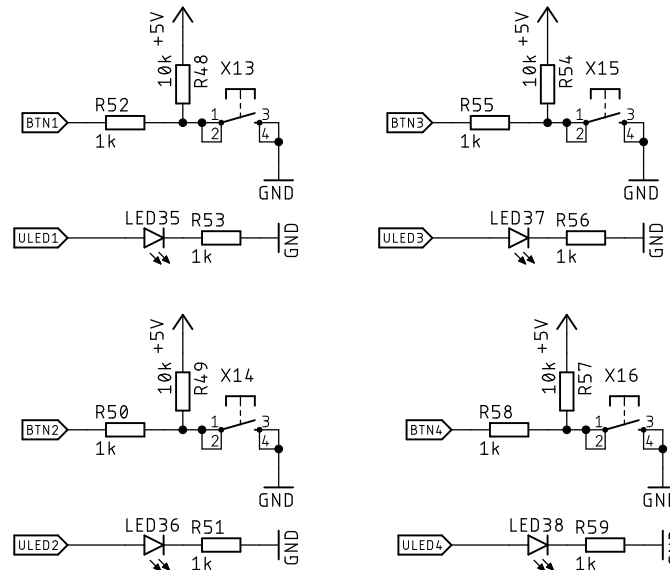
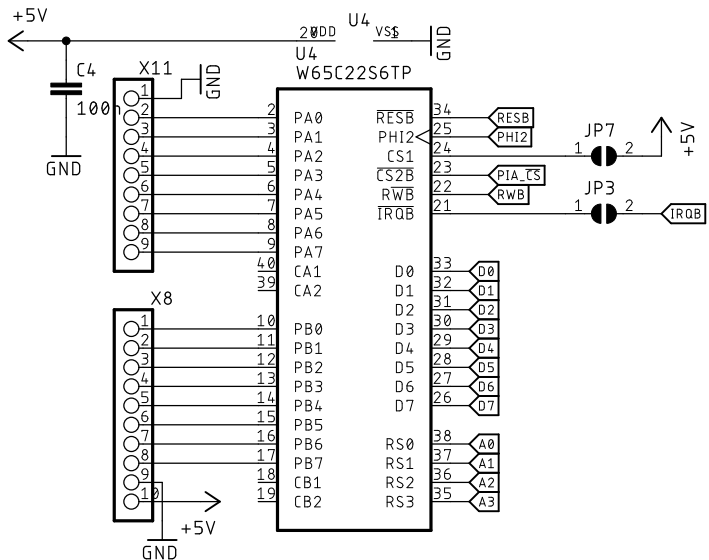
## Arduino Mega Pinout and 6502 Processor

Arduino-Mega-6502

Robert Fromm (Visit [robert-fromm.info](http://robert-fromm.info))

Date: 11.02.2021 20:03

Sheet: 1/4

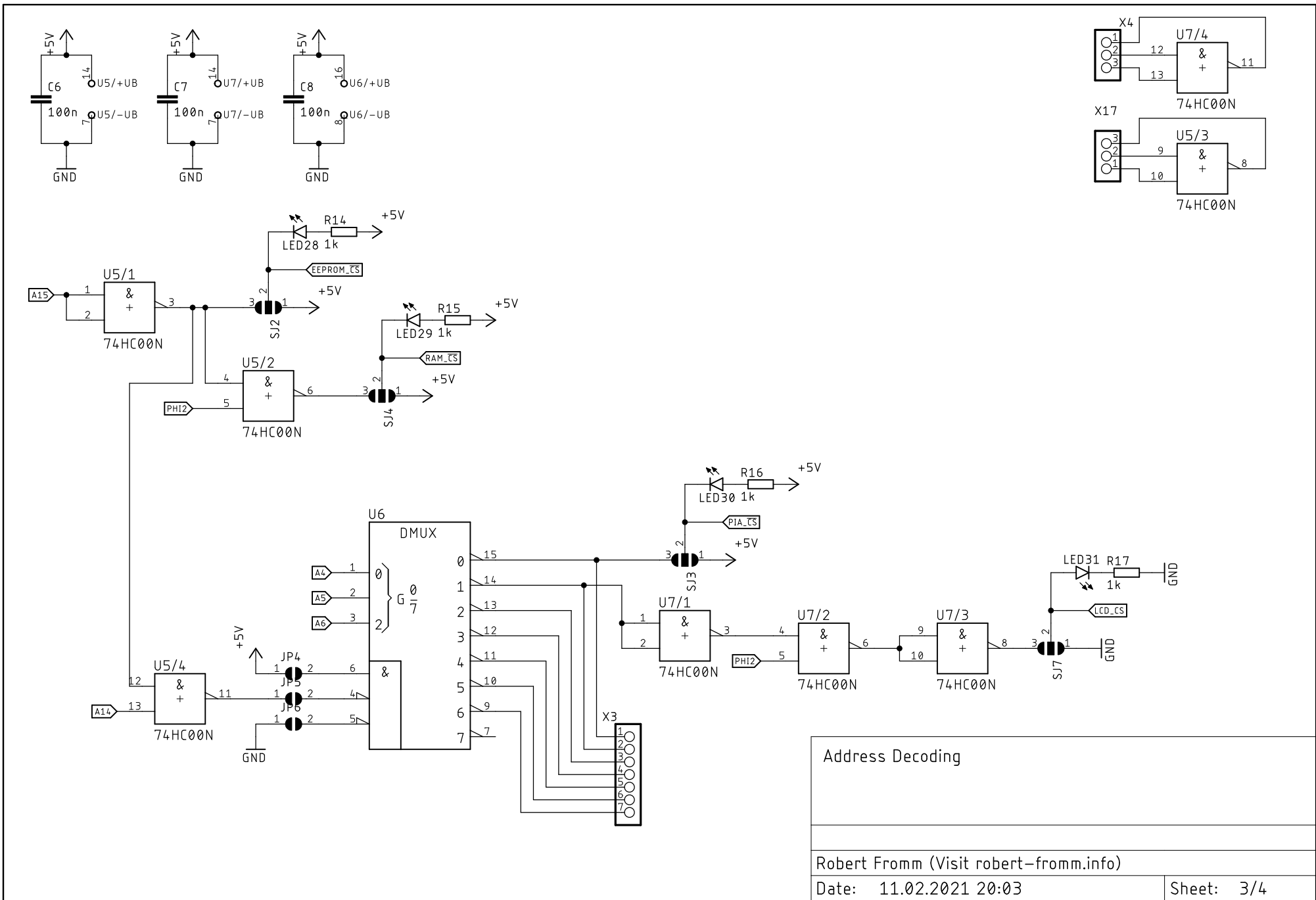


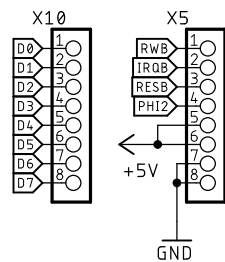
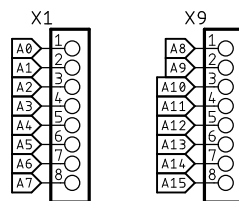
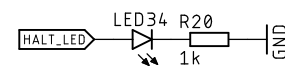
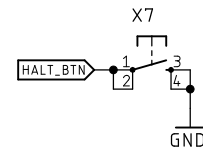
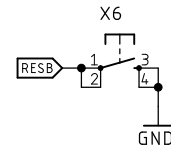
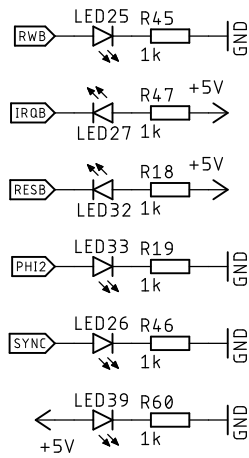
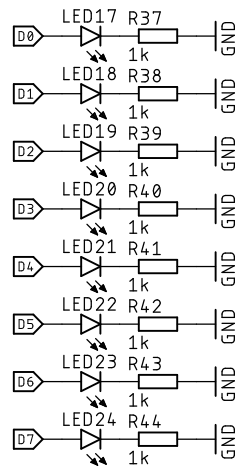
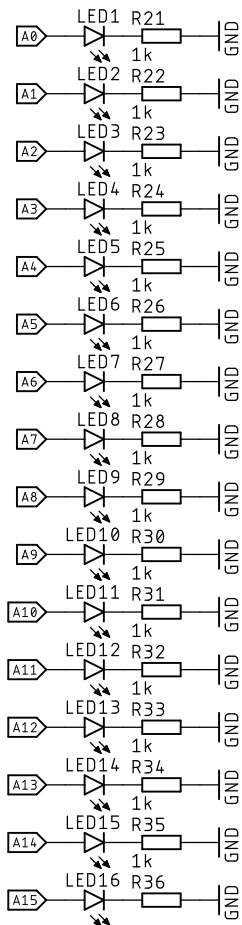
6502 Peripherals: EEPROM, RAM, PIA, LCD

Robert Fromm (Visit [robert-fromm.info](http://robert-fromm.info))

Date: 11.02.2021 20:03

Sheet: 2/4





Status LEDs and Connectors	
Robert Fromm (Visit <a href="http://robert-fromm.info">robert-fromm.info</a> )	
Date: 11.02.2021 20:03	Sheet: 4/4

