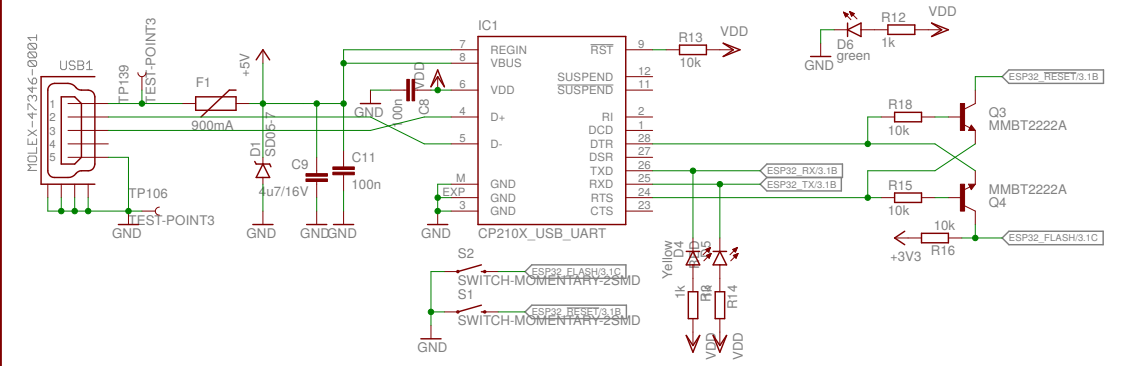
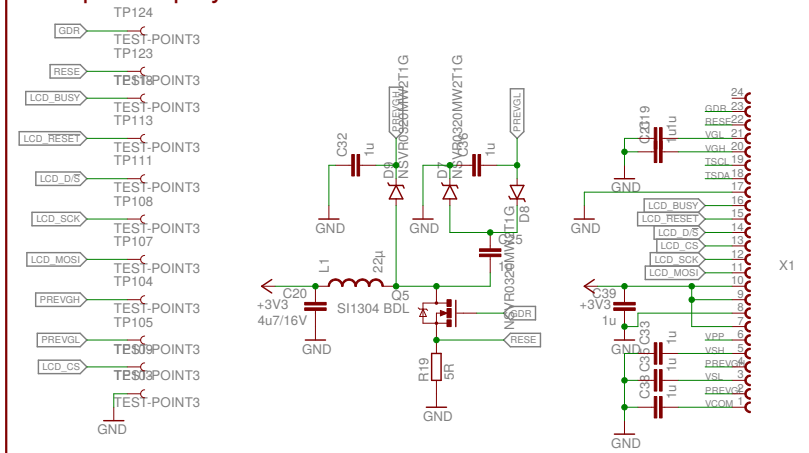


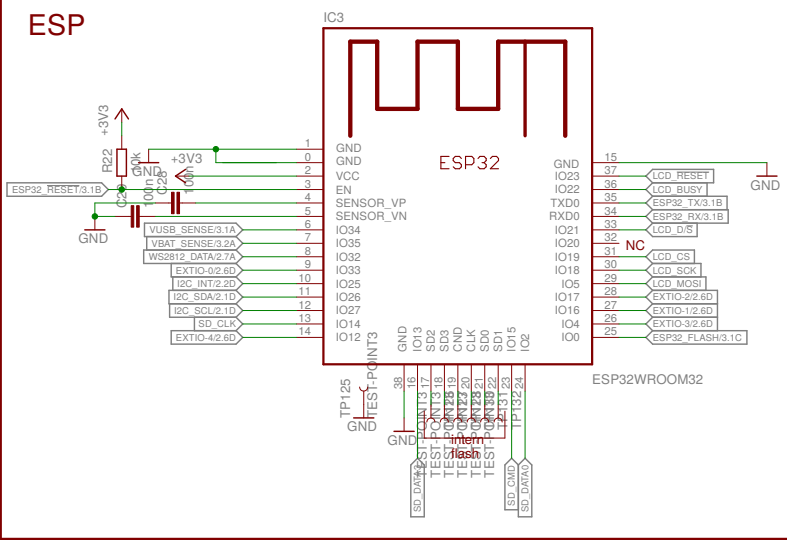
USB Serial



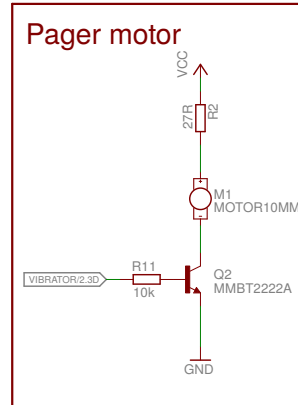
E-Paper Display



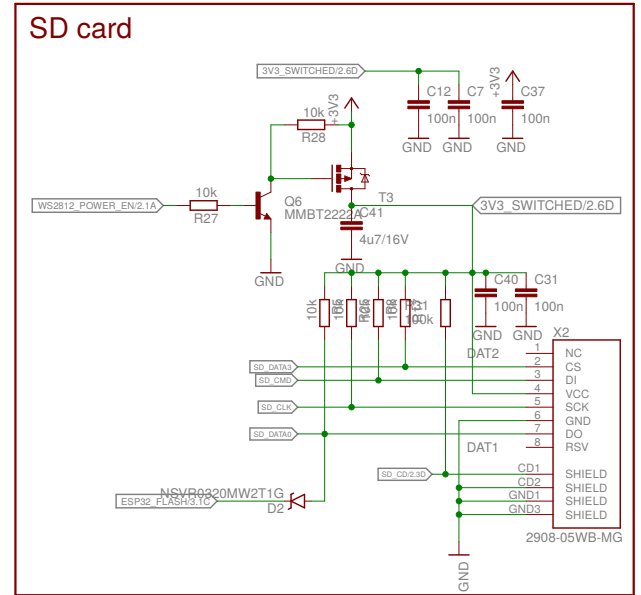
ESP



Pager motor



SD card



Fiducials

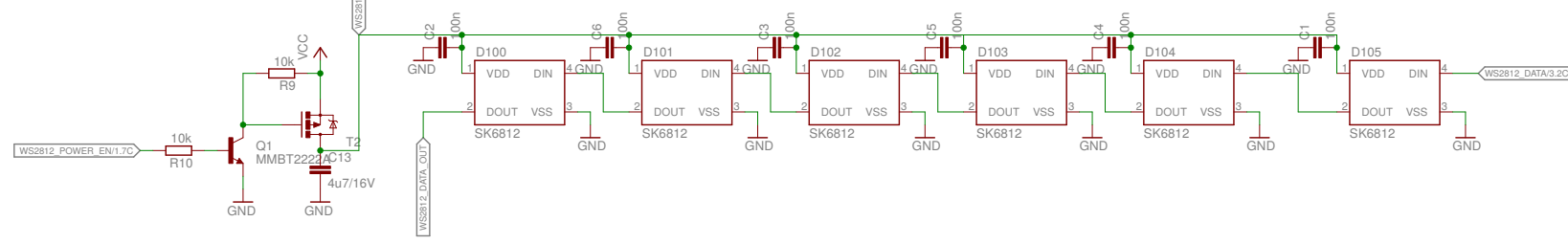


sha2017_rev1_0_0

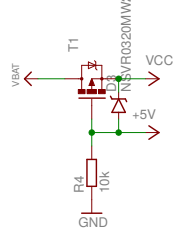
4/27/17 4:07 PM

Sheet: 1/3

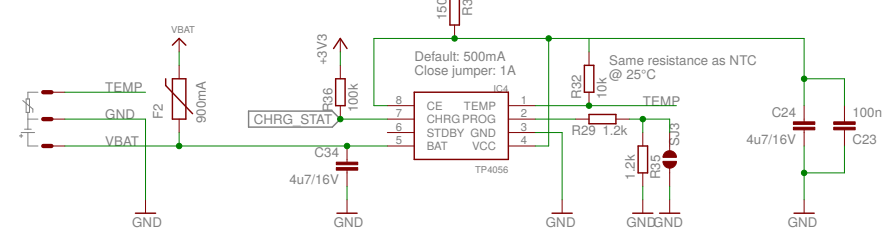
WS2812



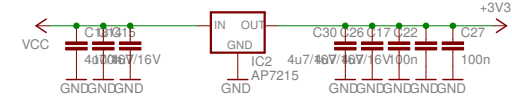
Ideal Diode



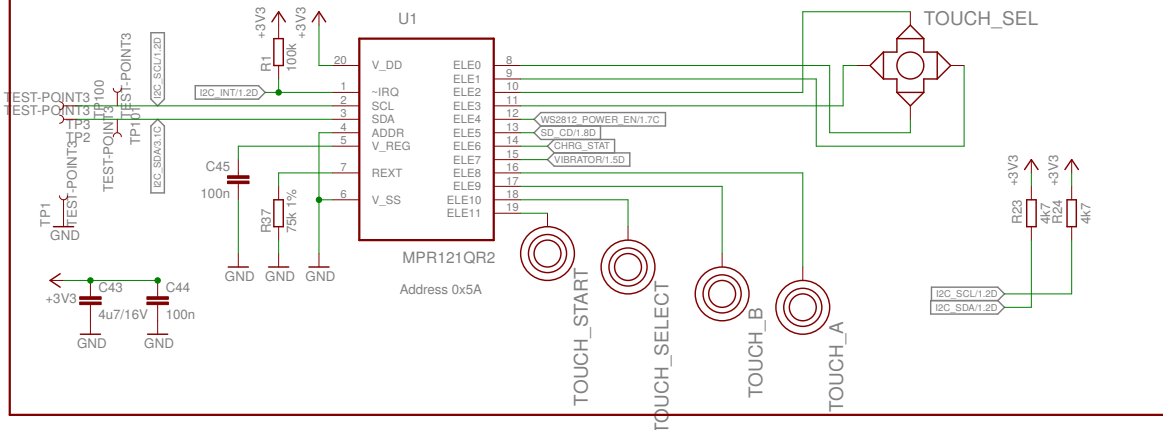
Battery charger



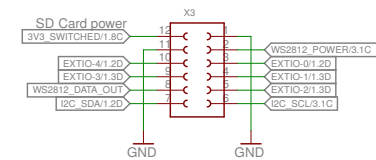
Voltage Regulator



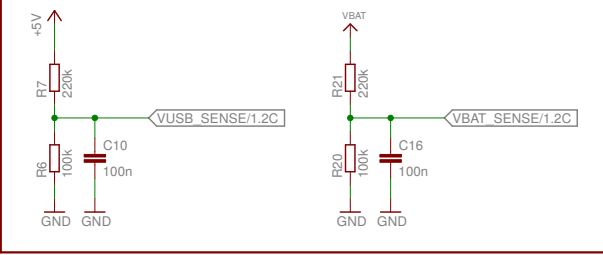
Touch Controller / IO expander



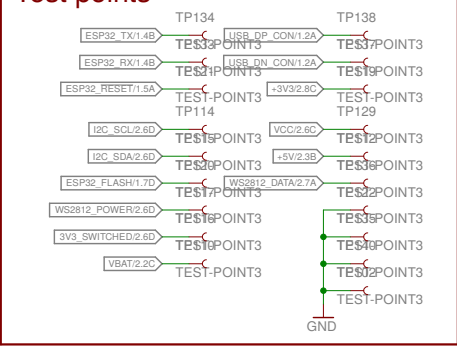
IO header



Voltage sensing



Test points



Special Vias with thermals (hack)

