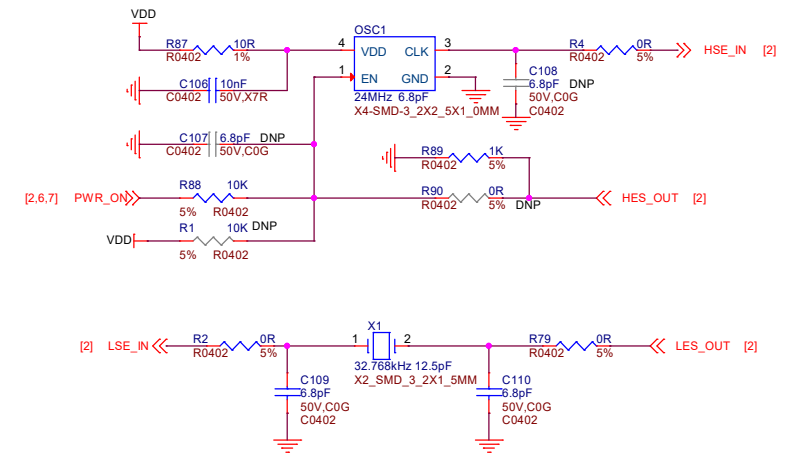
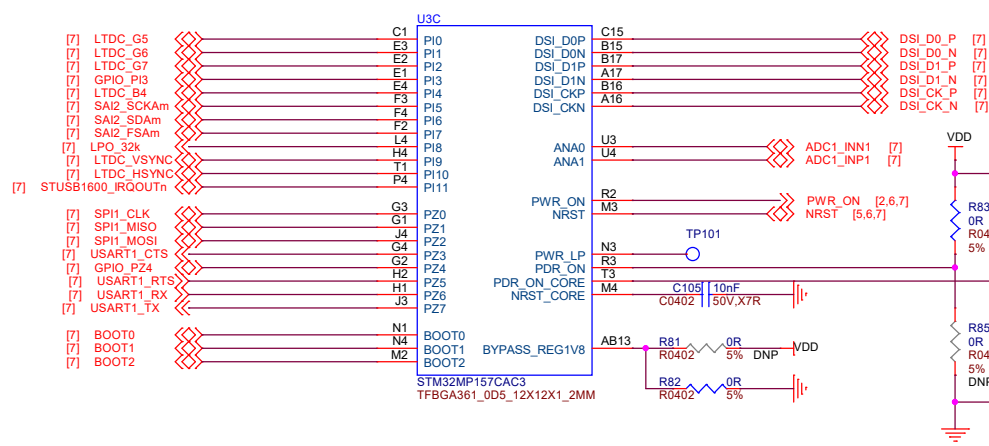
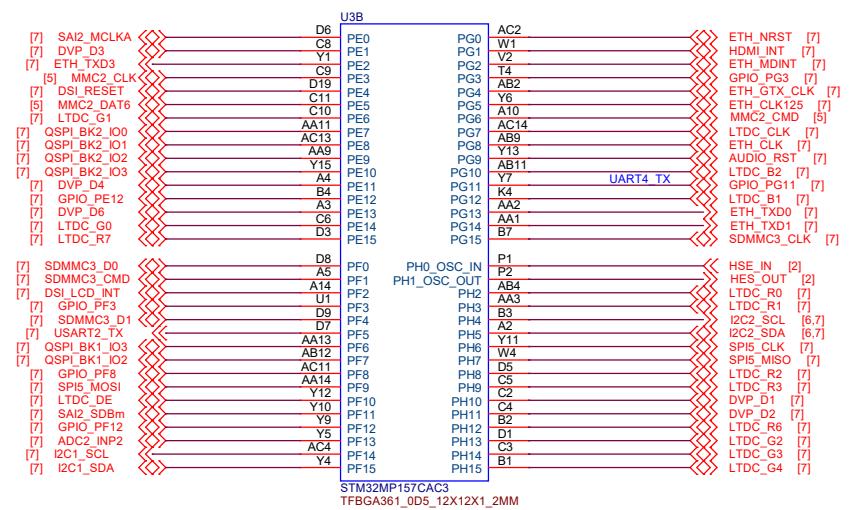
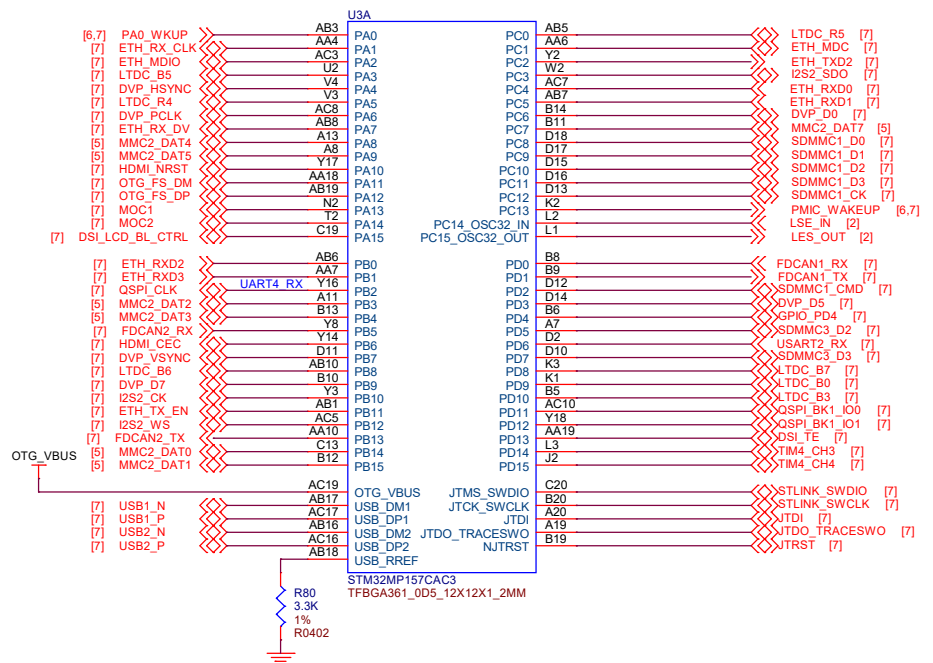


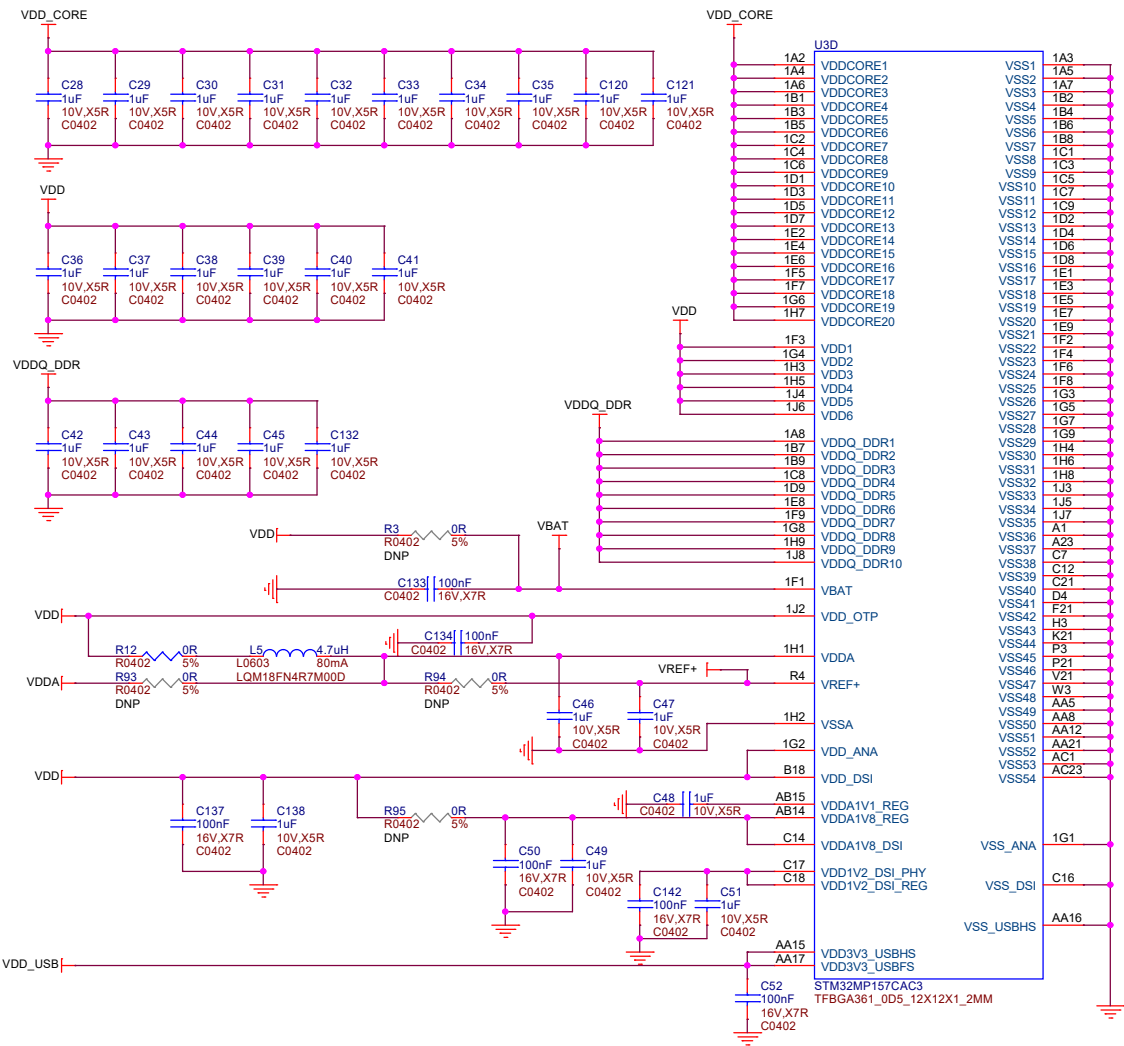
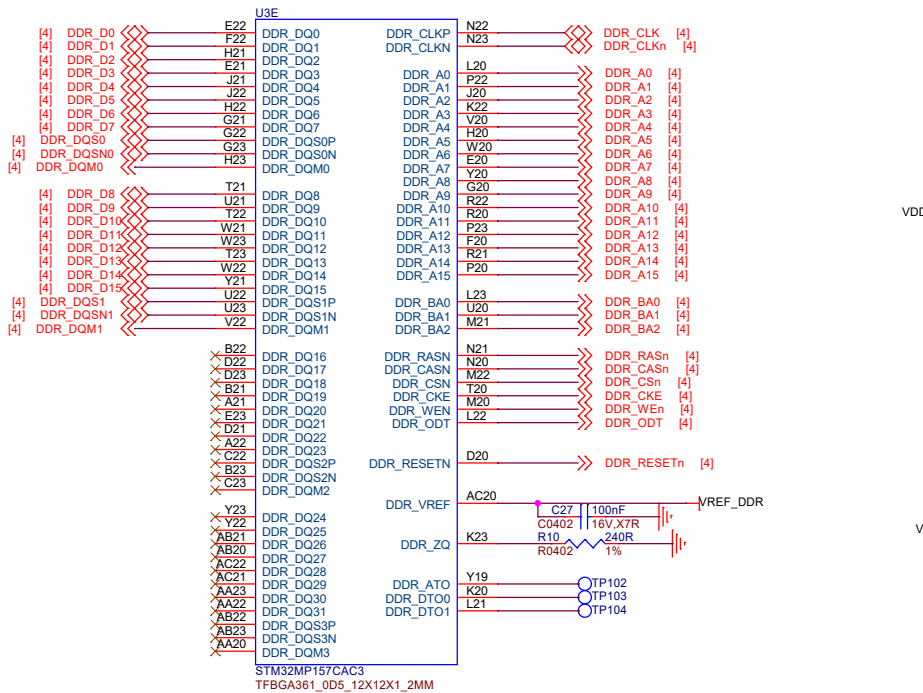
Schematic: Seeed SoM - STM32MP157C

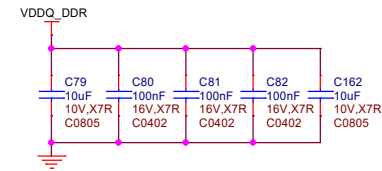
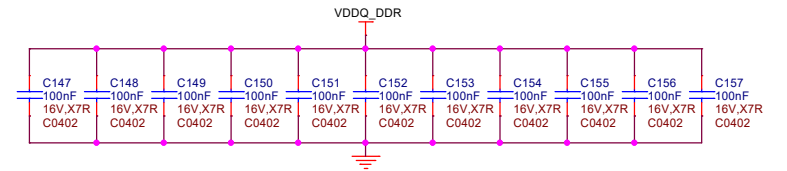
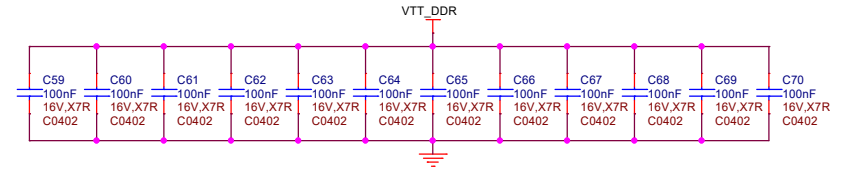
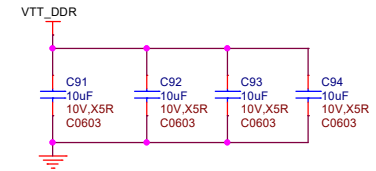
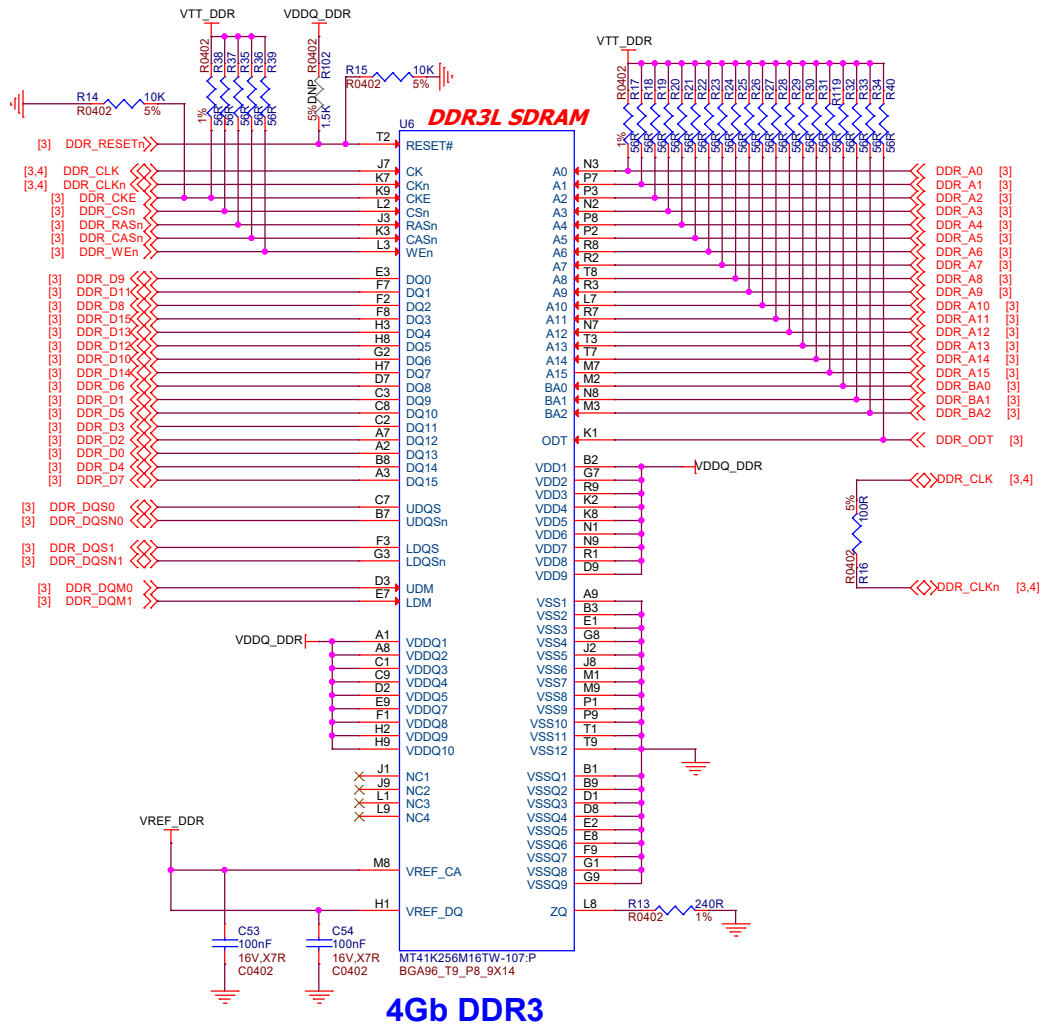
Revision History

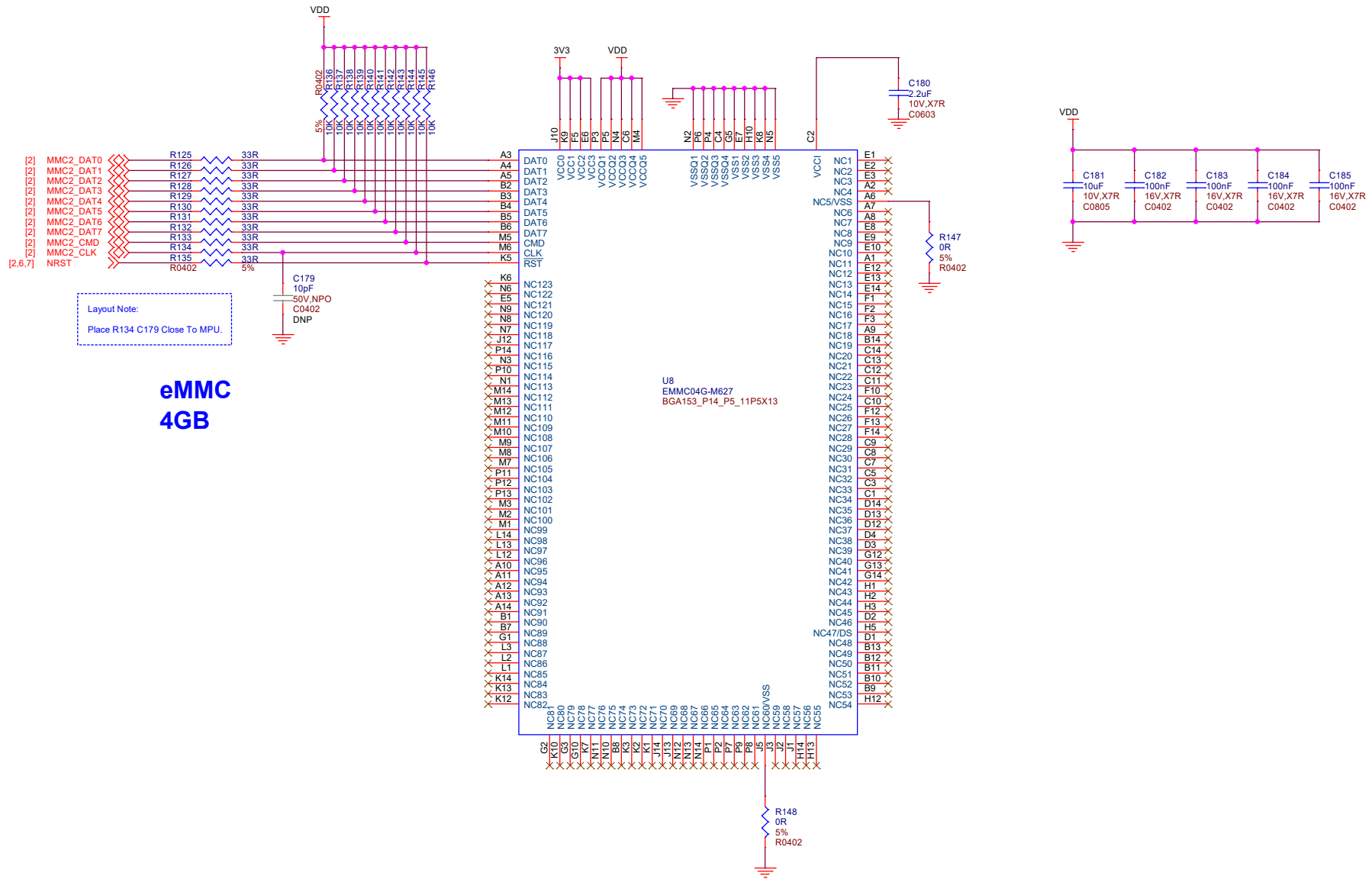
SHEET	SHEET NAME
01	Title/Revision History
02	MPU_1
03	MPU_2
04	DDR3
05	eMMC
06	PMU
07	PINOUT/LED

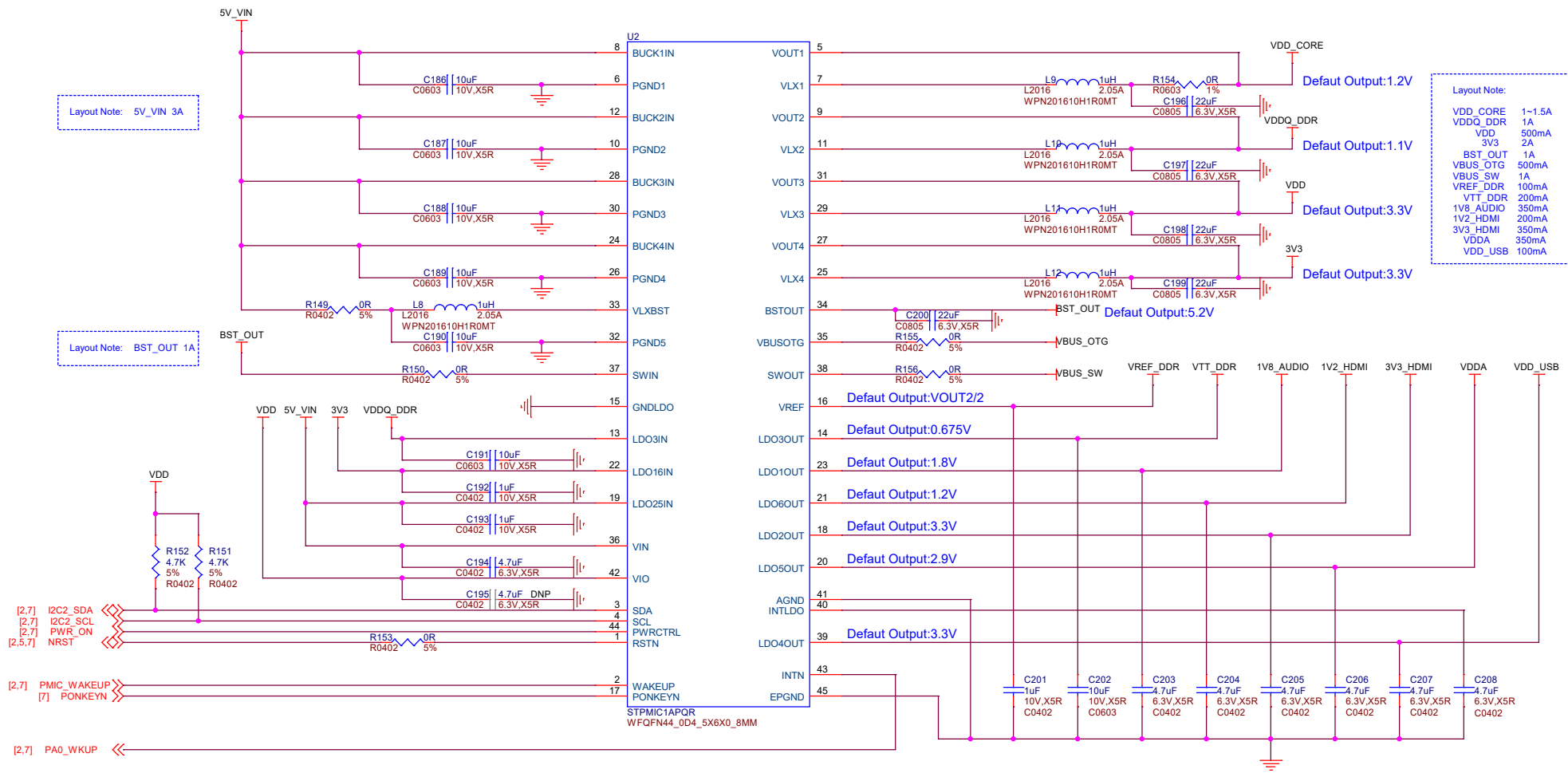
DATE	REVISION	DESCRIPTION
2019/05/21	Seeed SoM - STM32MP157C_v1.0_SCH_190521	Initial Release
2019/09/04	Seeed SoM - STM32MP157C_v1.01_SCH_190904	
2019/12/13	Seeed SoM - STM32MP157C_v1.01_SCH_191213	Change R5,R6 from 1k to 2k











Layout Note: 5V\_VIN 3A

Layout Note: BST\_OUT 1A

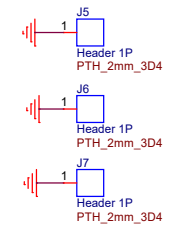
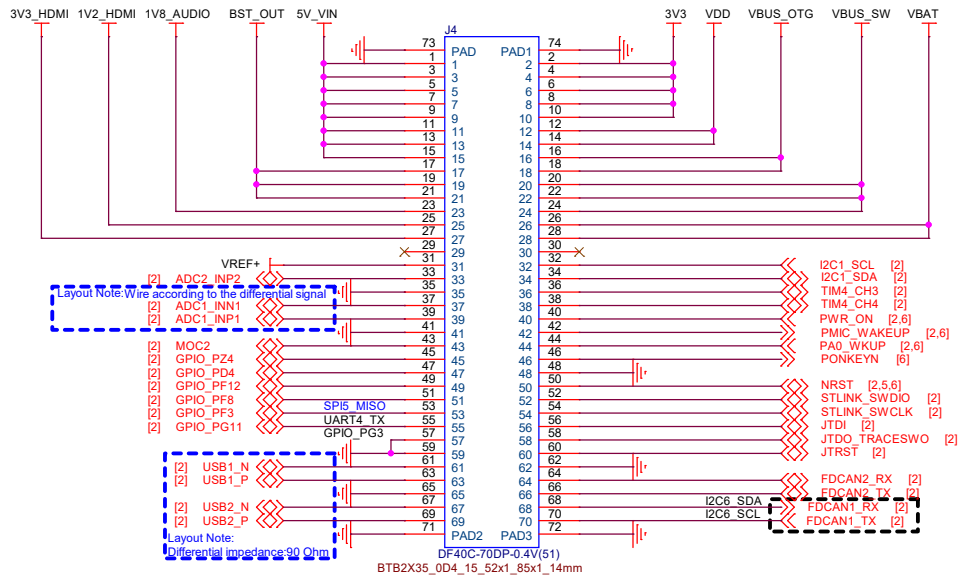
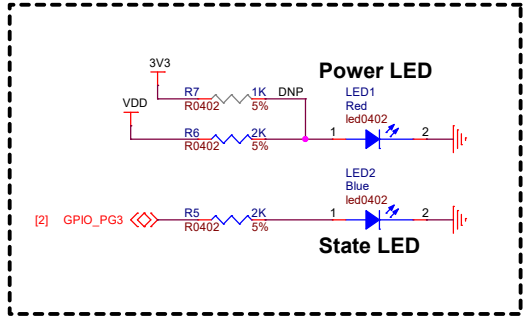
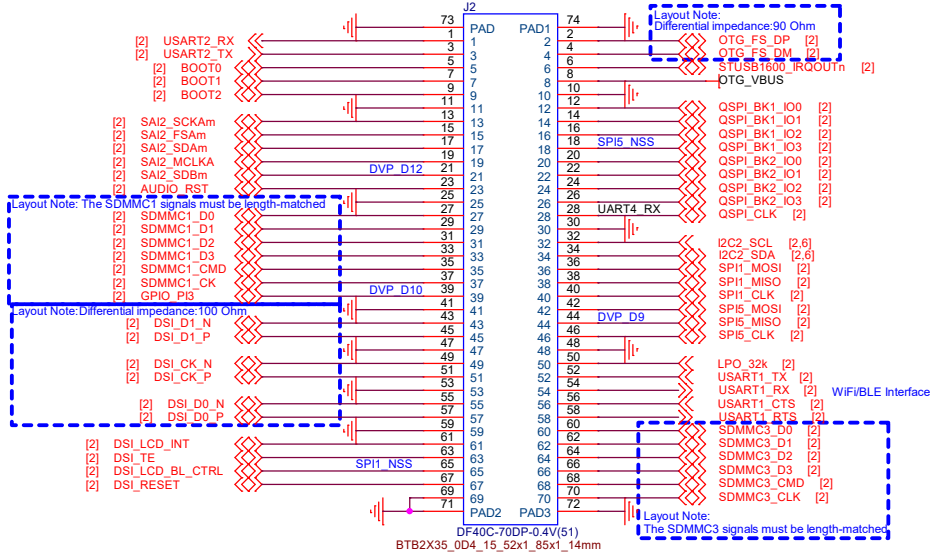
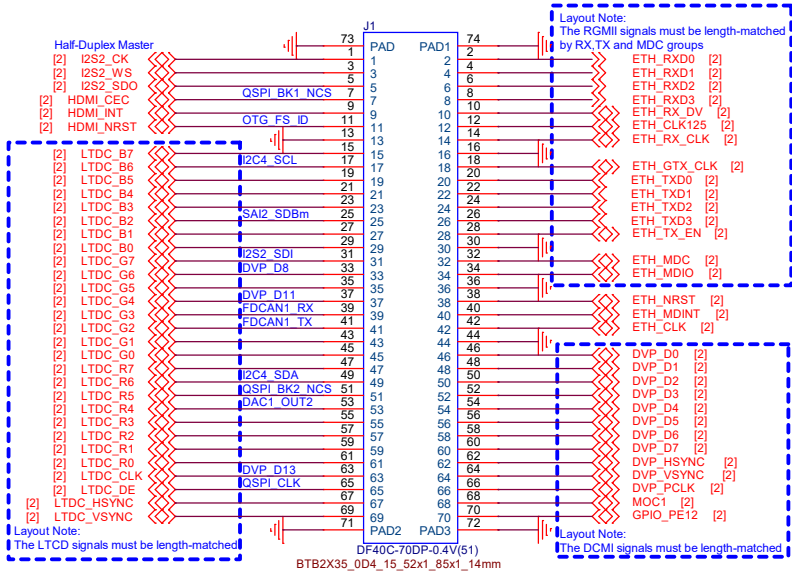
Layout Note:

VDD_CORE	1~1.5A
VDDO_DDR	1A
VDD	500mA
3V3	2A
BST_OUT	1A
VBUS_OTG	500mA
VBUS_SW	1A
VREF_DDR	100mA
VTT_DDR	200mA
V18_AUDIO	350mA
V12_HDMI	200mA
3V3_HDMI	350mA
VDDA	350mA
VDD_USB	100mA

[2,7] I2C2\_SDA  
 [2,7] I2C2\_SCL  
 [2,7] PWR\_ON  
 [2,5,7] NRST

[2,7] PMIC\_WAKEUP  
 [7] PONKEYN

[2,7] PA0\_WKUP



**seed**  
The IoT Hardware Enabler

<https://www.seedstudio.com>

**Title:** Seed SoM - STM32MP157C

Size: A3	Document Number: 07 PINOUT/LED	Rev: v1.01
Draw By: welfeng	Date: Friday, December 13, 2019	Sheet: 7 of 7