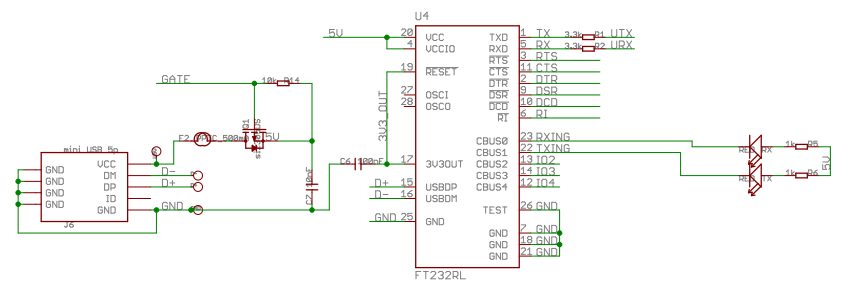
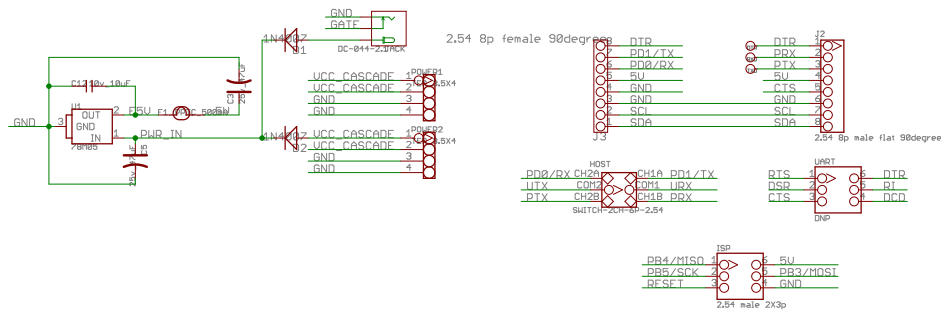
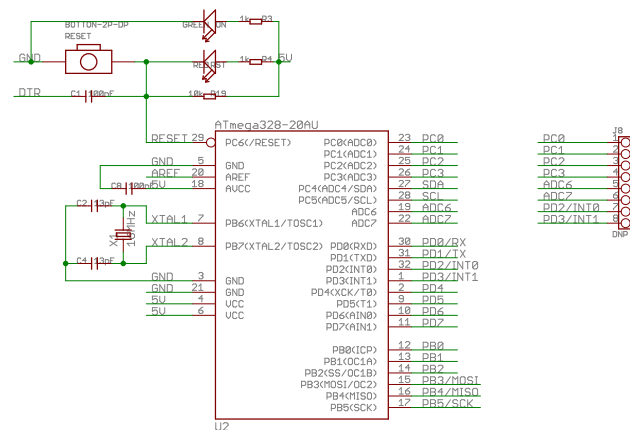


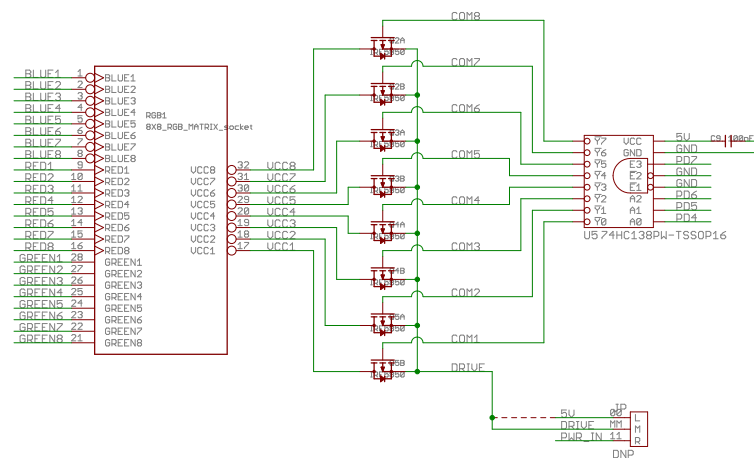
POWER, USB2UART, INTERCONNECTS



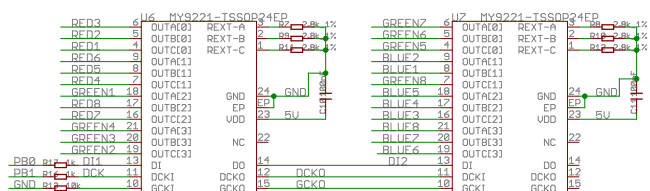
MCU with ARDUINO Bootloader



8 RED, 8 GREEN, 8 BLUE CHs & 8 ANODES with DECODER



CONSTANT CURRENT LED DRIVERS



(C)2011, www.seeedstudio.com. CC-BY-SA

TITLE: Rainbowduino U3.0b

Document Number:

REV:

Date: 20/10/11 10:08 PM

Sheet: 1/1