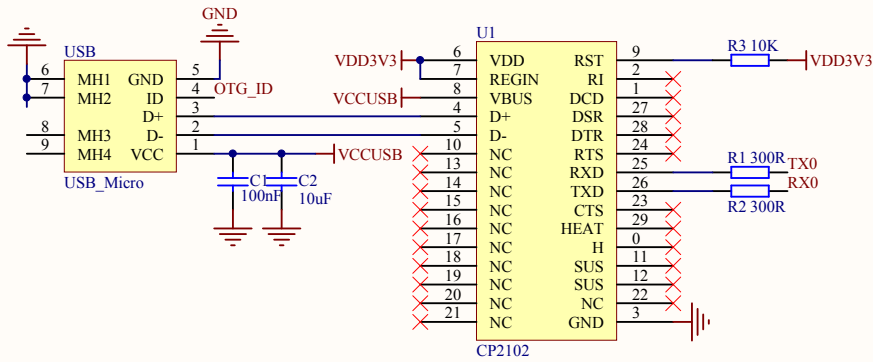
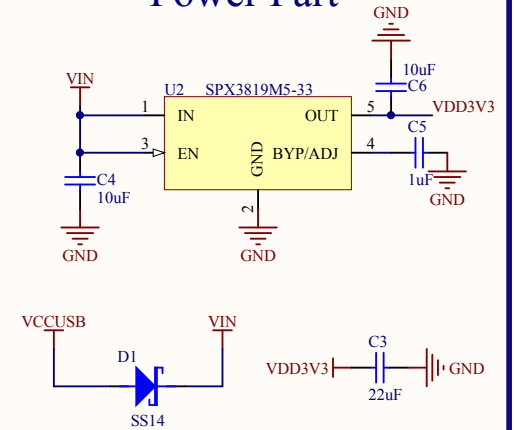


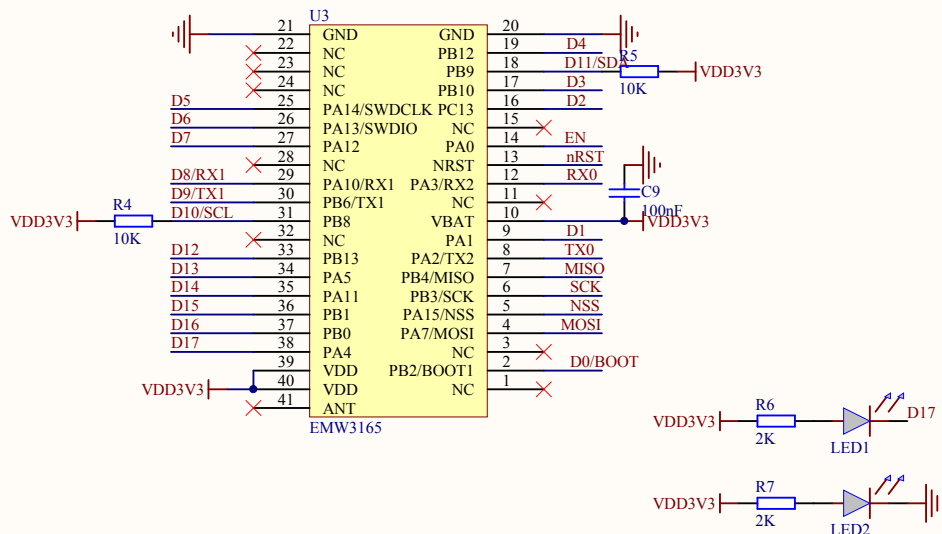
USB Part



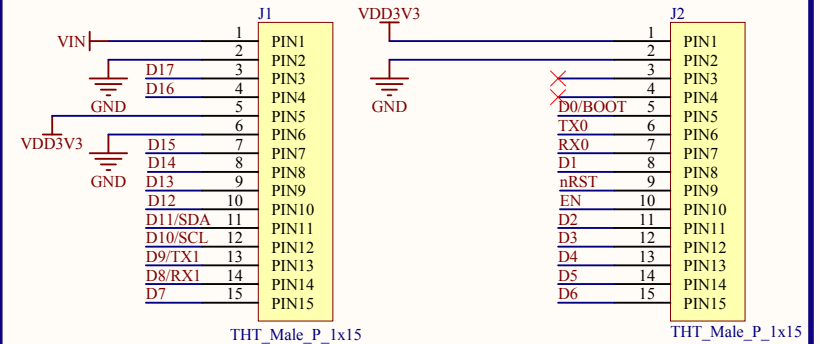
Power Part



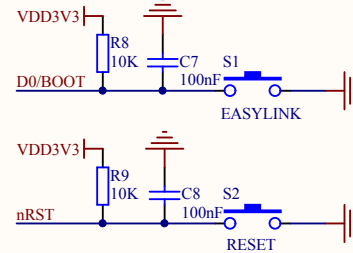
EMW3165



IO Part



KEY Part



	WiFiMCU		1
	SLJ		V1
	2014-06-28		
	YP		
	DOIT		

