



Soar and Related Projects Refresh on SourceForge

Standardization and Updates for
Increased Usability

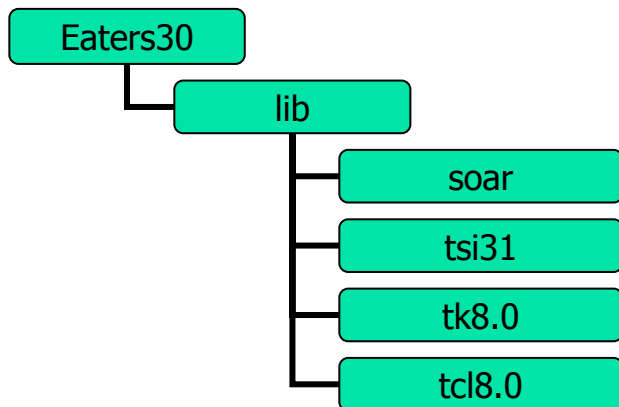


Overview

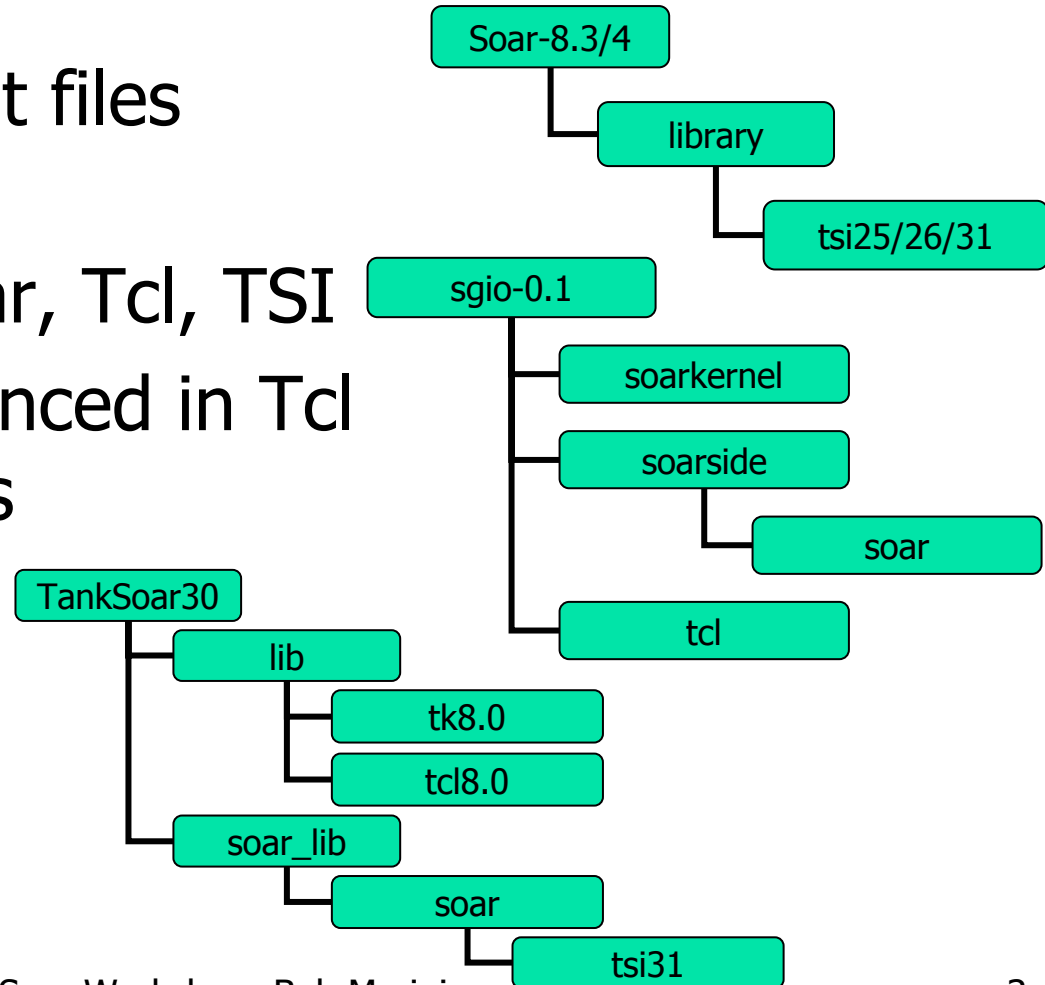
- The way Soar and its projects were “organized”
- Changes
- InstallShield installers for Windows
- SourceForge

The way Soar and its projects were "organized"

- Old layout let user put files anywhere
- Multiple copies of Soar, Tcl, TSI
- Absolute paths referenced in Tcl files, build procedures



June 26, 2003



Soar Workshop: Bob Marinier

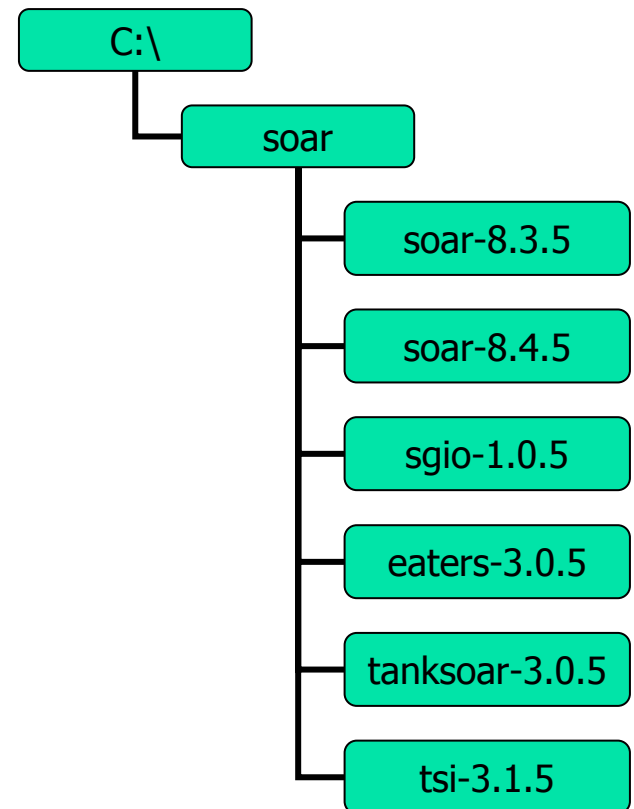


The Way We Were: Problems

- Lack of consistency between projects
- Absolute path references made it difficult to customize install, build binaries
- Development not very visible
- No record of solutions to common problems
- Bug tracking broken

Changes: Standardized directory structure

- Default install creates standard directory structure
 - Simplifies build process
 - Removes code duplication





Changes: Cleaned up dependencies

- Assume that the Soar kernel and library are installed in the standard locations so we don't need buried versions in Eaters, TankSoar, etc.
- Use relative paths make it easier to move entire structure elsewhere and simplify the build process
- Easy to switch between versions of Soar



Changes: Cleaned up compiles

- Removed most warnings that occur when creating the binaries



Changes: Tcl

- Updated for Tcl-8.3.x
 - Newer Tcl versions are faster, more standard, and have better utilities
 - Everything also works with Tcl-8.4.x with a recompile except for SGIO
 - Undocumented Tcl changes prevent SGIO from working correctly
 - We will update everything for Tcl 8.4.x when we figure out Tcl



Changes: SGIO

- Removed buried versions of Soar
- Minor bug fix
- More examples included
- Lots more documentation included



Changes: License

- Now using FreeBSD license
 - Made it easier to get on SourceForge
 - Does not affect anyone



InstallShield Installers

- Installing on Windows made very easy
- For SGIO, necessary environment variables automatically created
- Shortcuts added to Desktop,
Start->Programs->Soar
- Uninstallers, both in Add/Remove programs and Start->Programs->Soar



SourceForge: Benefits

- Free
- High visibility
- Easy access to latest source code in SourceForge-hosted CVS
- Soar community can contribute and maintain
- Lots of useful tools to help manage development



SourceForge: Tools

- Bug tracking
- Support tracking
- Public forums
- Task management
- News updates
- Feature requests
- and more!



SourceForge: User Roles

- Public user: read-only access to everything, can post in forums
- Developer: can change files in CVS, post bugs, etc.
- Moderator: can edit/remove messages in forums
- Admin: can do everything, including file releases



SourceForge: We need help!

- We need people to fulfill various roles!
- We also need to organize our management of the project, i.e. CVS commit procedures, what forums we should create, etc.
- If you are interesting in helping out, please send email to:

soar-sf@umich.edu



SourceForge: Future

- We will be putting VisualSoar on SourceForge soon
- We may move SGIO to the Soar's SourceForge page



Conclusion

- Increased standardization makes Soar easier to use
- Increased visibility on SourceForge will bring more attention to Soar and related projects
- SourceForge tools will make it easier to maintain, develop, and support Soar and related projects



SourceForge sites

- For Soar, TSI, Eaters, and TankSoar:
<http://sourceforge.net/projects/soar/>
- For SGIO:
<http://sourceforge.net/projects/sgio/>



Questions?

