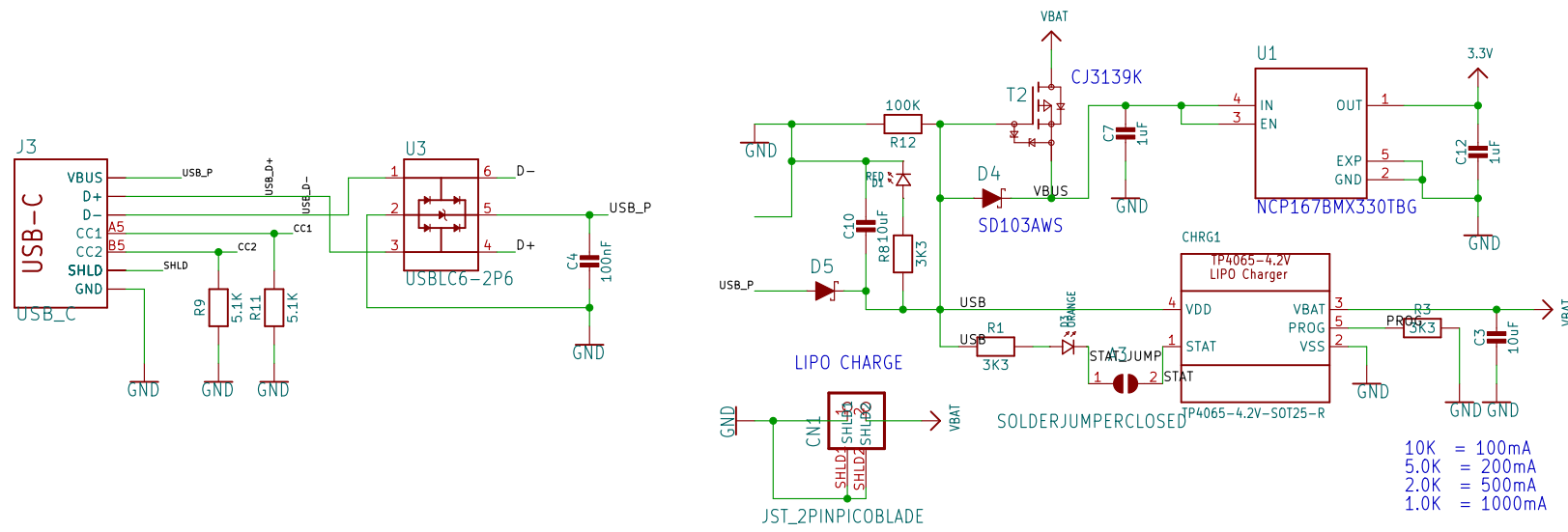
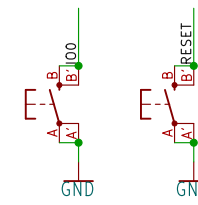


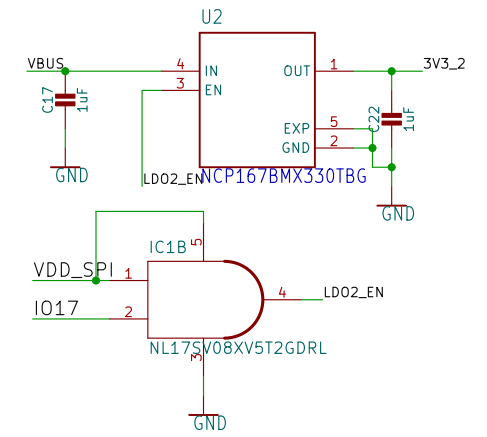
USB, POWER PATHS, CHARGING AND FILTERING



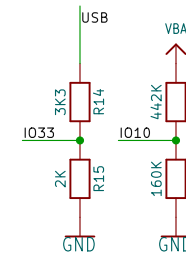
BUTTONS



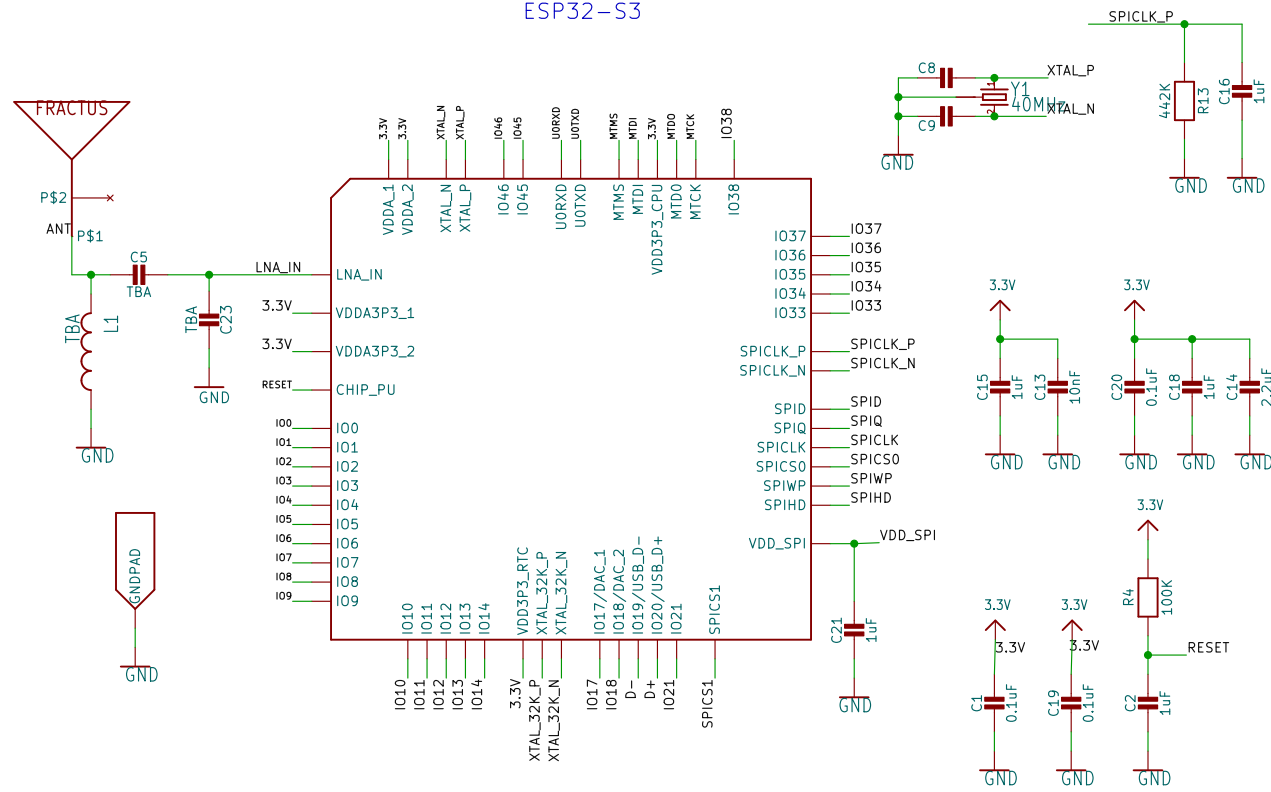
LDO2 & AUTO-SHUTDOWN



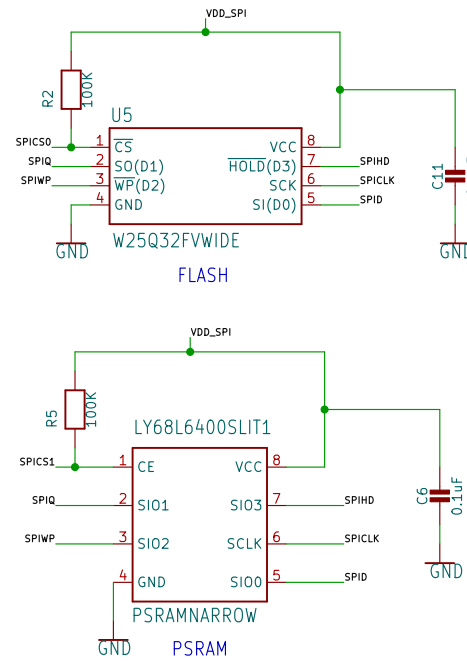
SENSE PINS



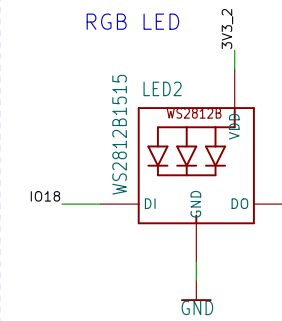
ESP32-S3



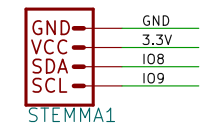
EXTERNAL FLASH & PSRAM



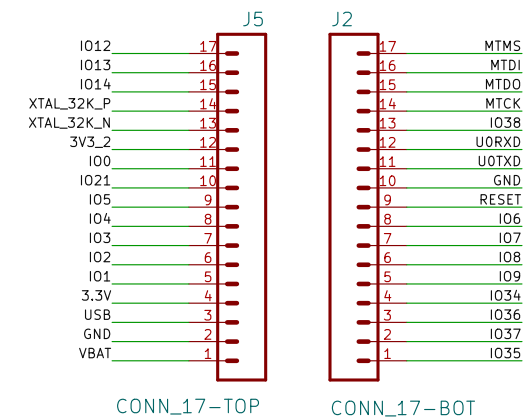
RGB LED



VERTICAL STEMMA CONNECTED TO LDO1



HEADERS



um **ProS3**

Unexpected Maker
 Sheet: /
 File: ProS3_P5.kicad_sch
Title: ProS3
 Size: A3 Date: 2022-08-07 Rev: P4
 KiCad E.D.A. eeschema (6.0.6-1)-1 Id: 1/1