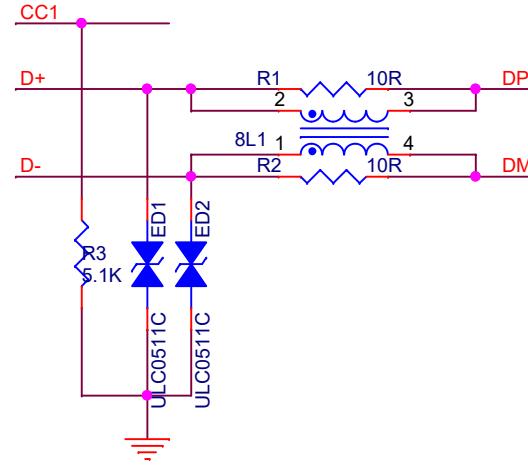
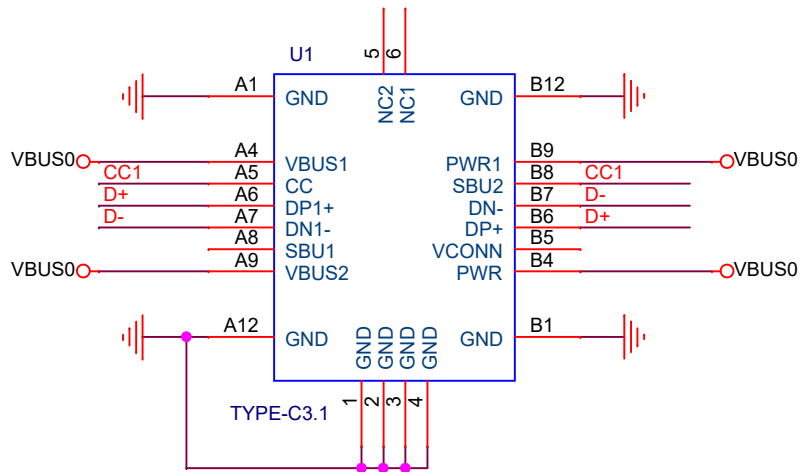
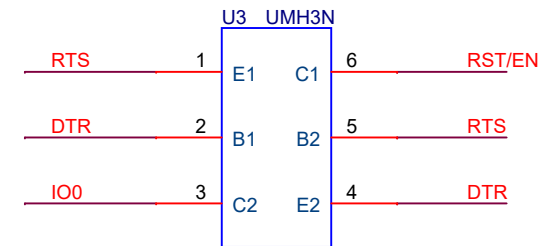
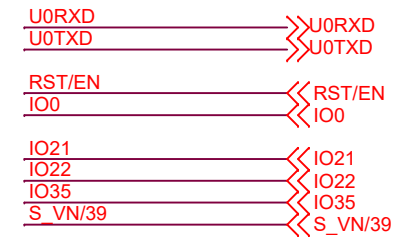
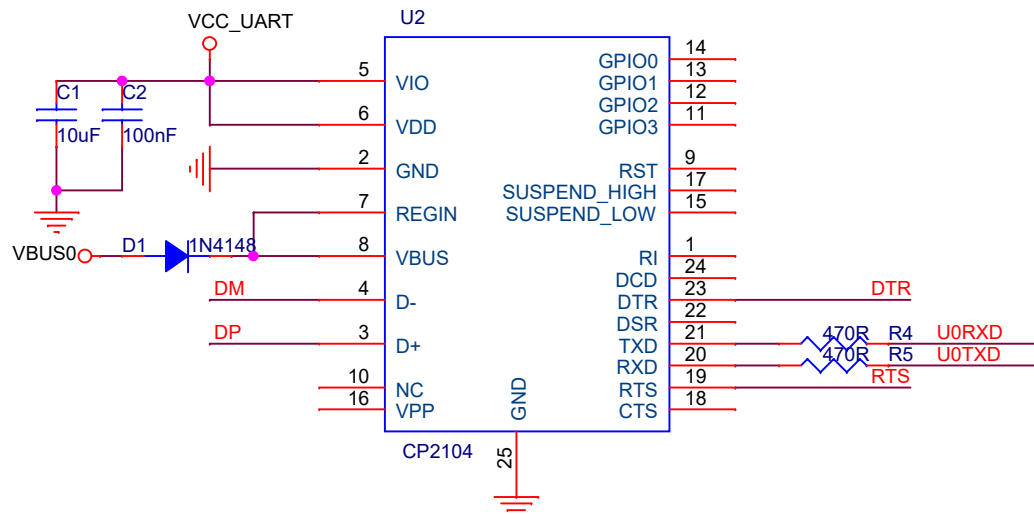


USB

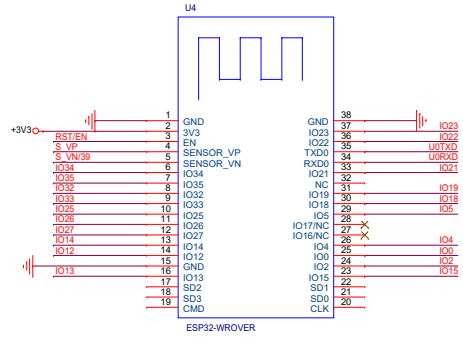


UART

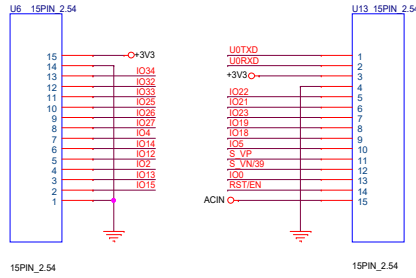


Title		
T-CALL		
Size	Document Number	Rev
A	POWER	V1.0
Date:	Thursday, May 14, 2020	Sheet 1 of 4

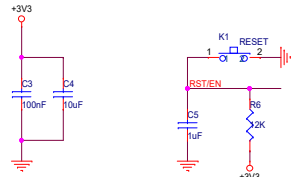
Core



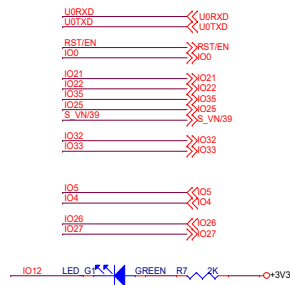
Connector



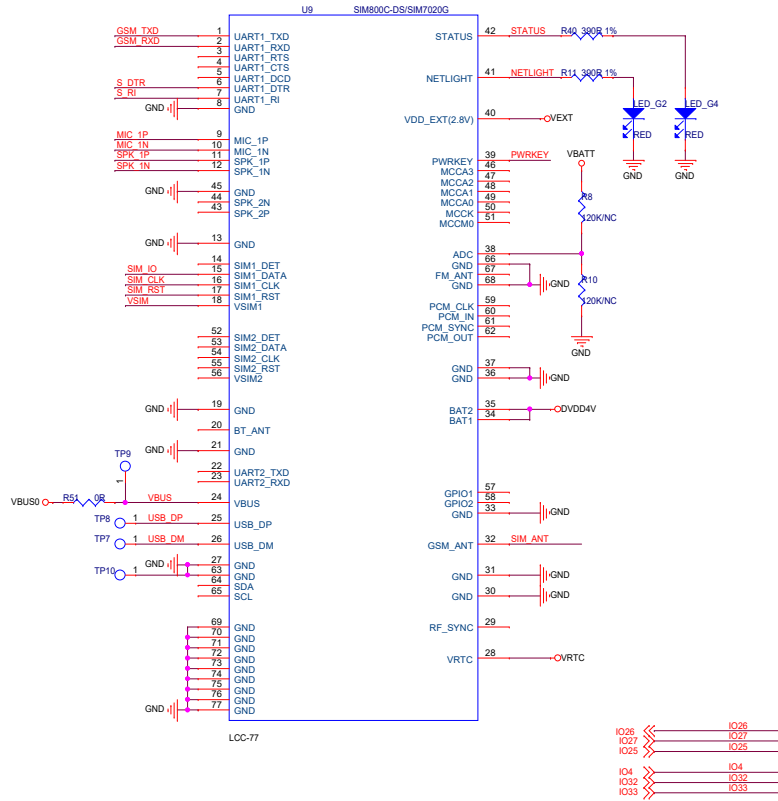
RST



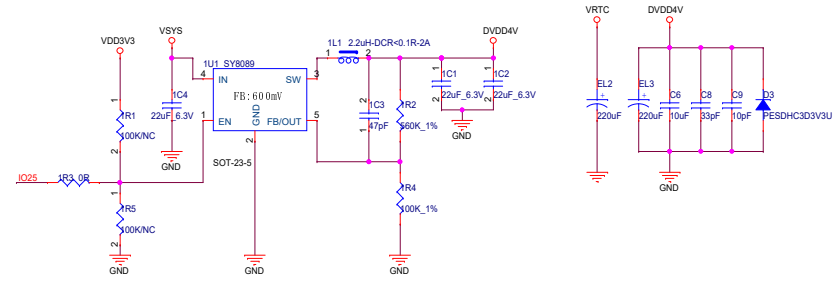
LED



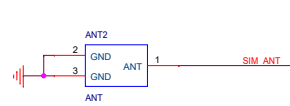
GPRS



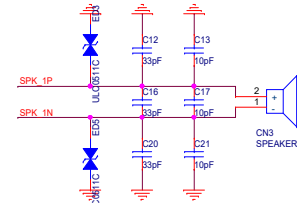
POWER



ANT



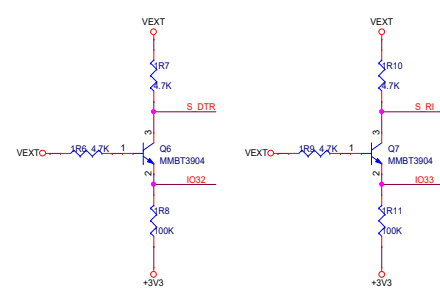
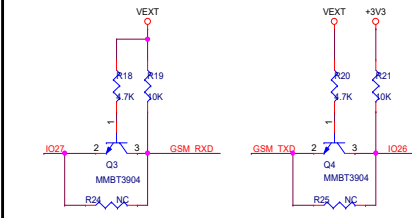
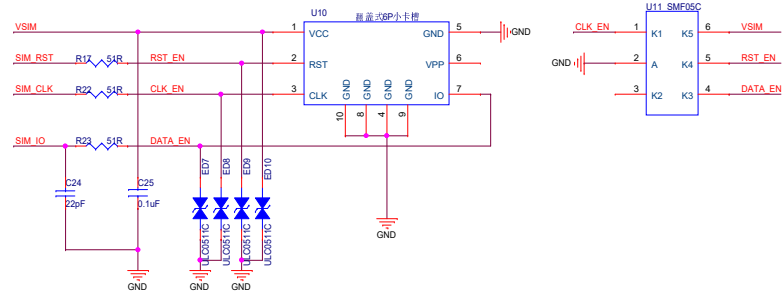
SPEAKER



MIC







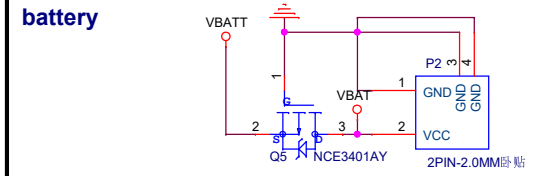
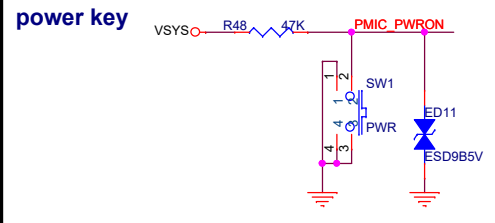
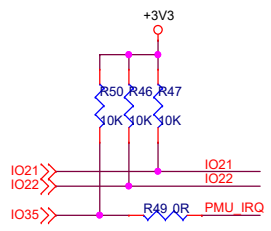
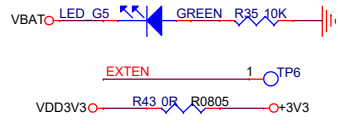
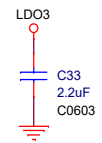
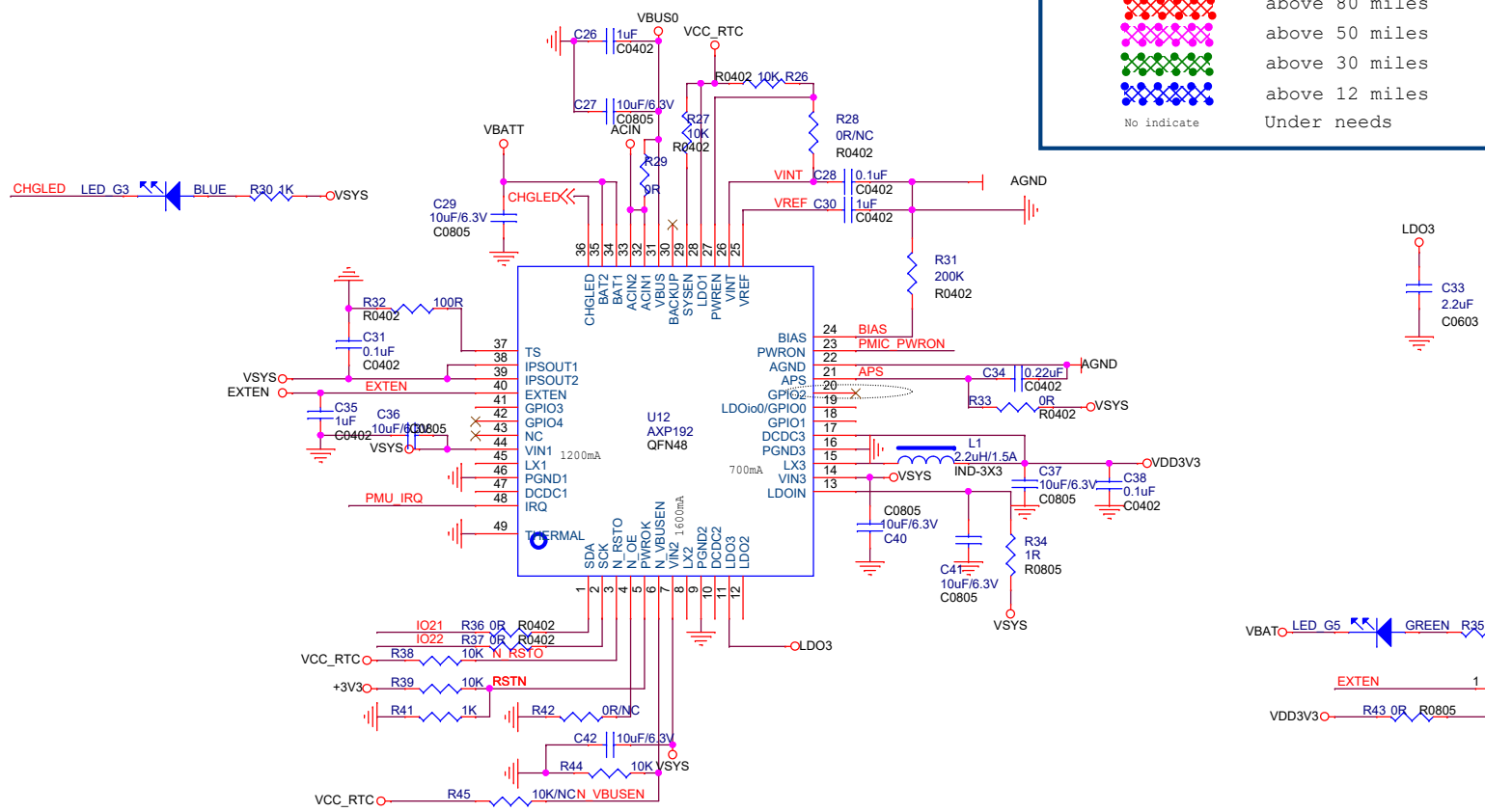
SIM CARD



PMU

PCB POWER WIRE WIDTH INDICATE

-  above 80 miles
-  above 50 miles
-  above 30 miles
-  above 12 miles
- No indicate Under needs



Title		T-CALL
Size	Document Number	Rev
B	exp192	V1.0
Date:	Thursday, May 14, 2020	Sheet 4 of 4