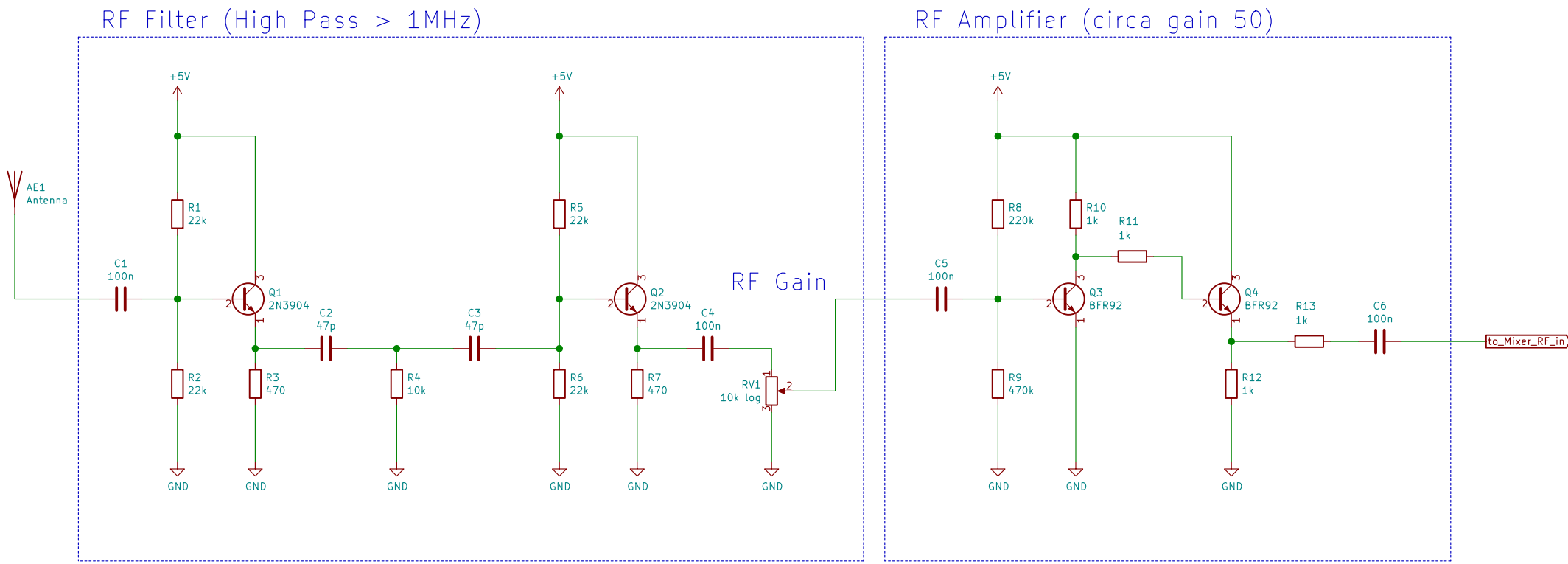


RF input filter + RF amp for 74xx based shortwave receiver



a 74xx based shortwave receiver
2021 by Michael Wiebusch

all the info and details about the project
<https://acidbourbon.wordpress.com/2021/04/11/a-74xx-defined-radio/>

Sheet: /		
File: RF_amp.sch		
Title:		
Size: A3	Date:	Rev:
KiCad E.D.A. eeschema 5.1.6-c6e7f7d87ubuntu18.04.1		Id: 1/1