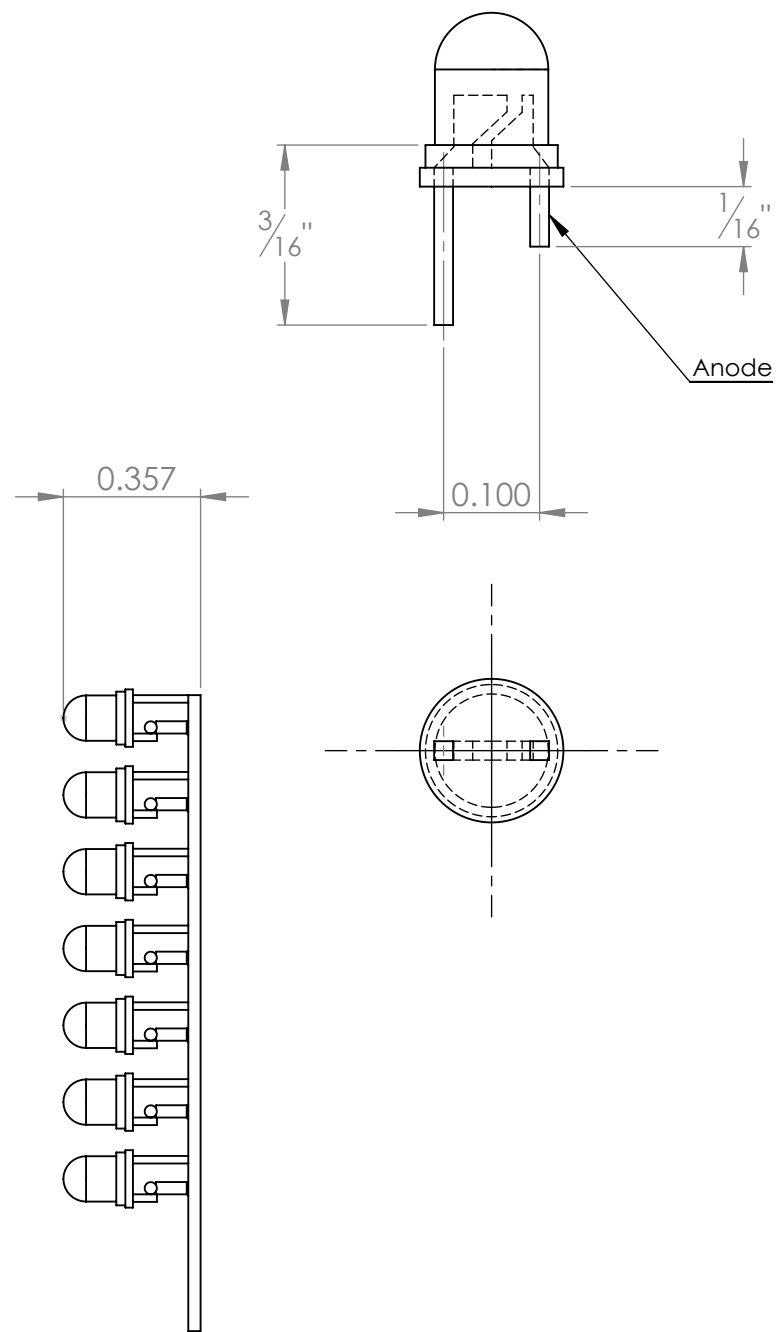
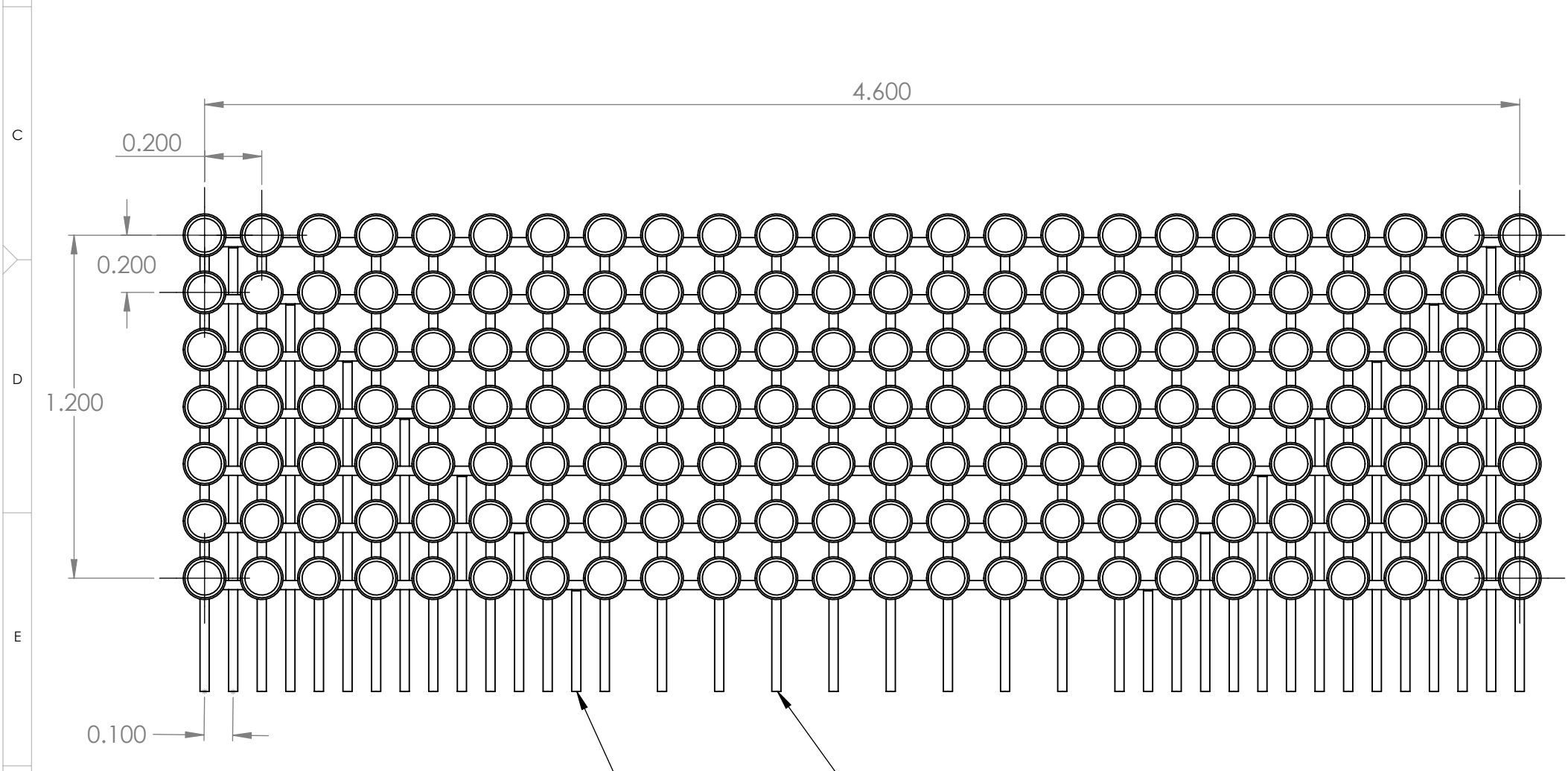
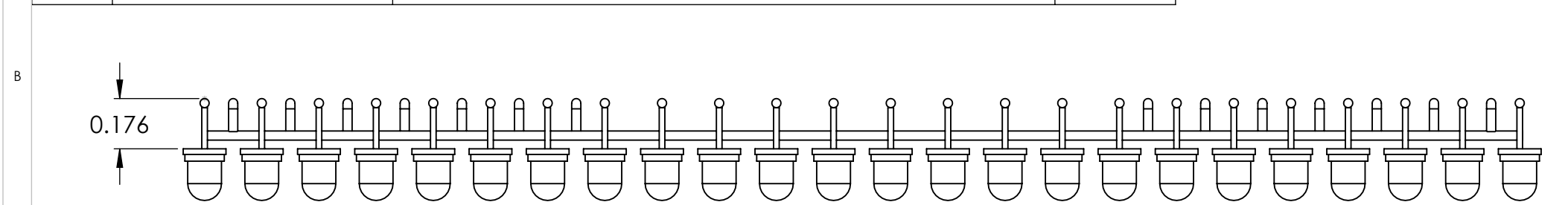


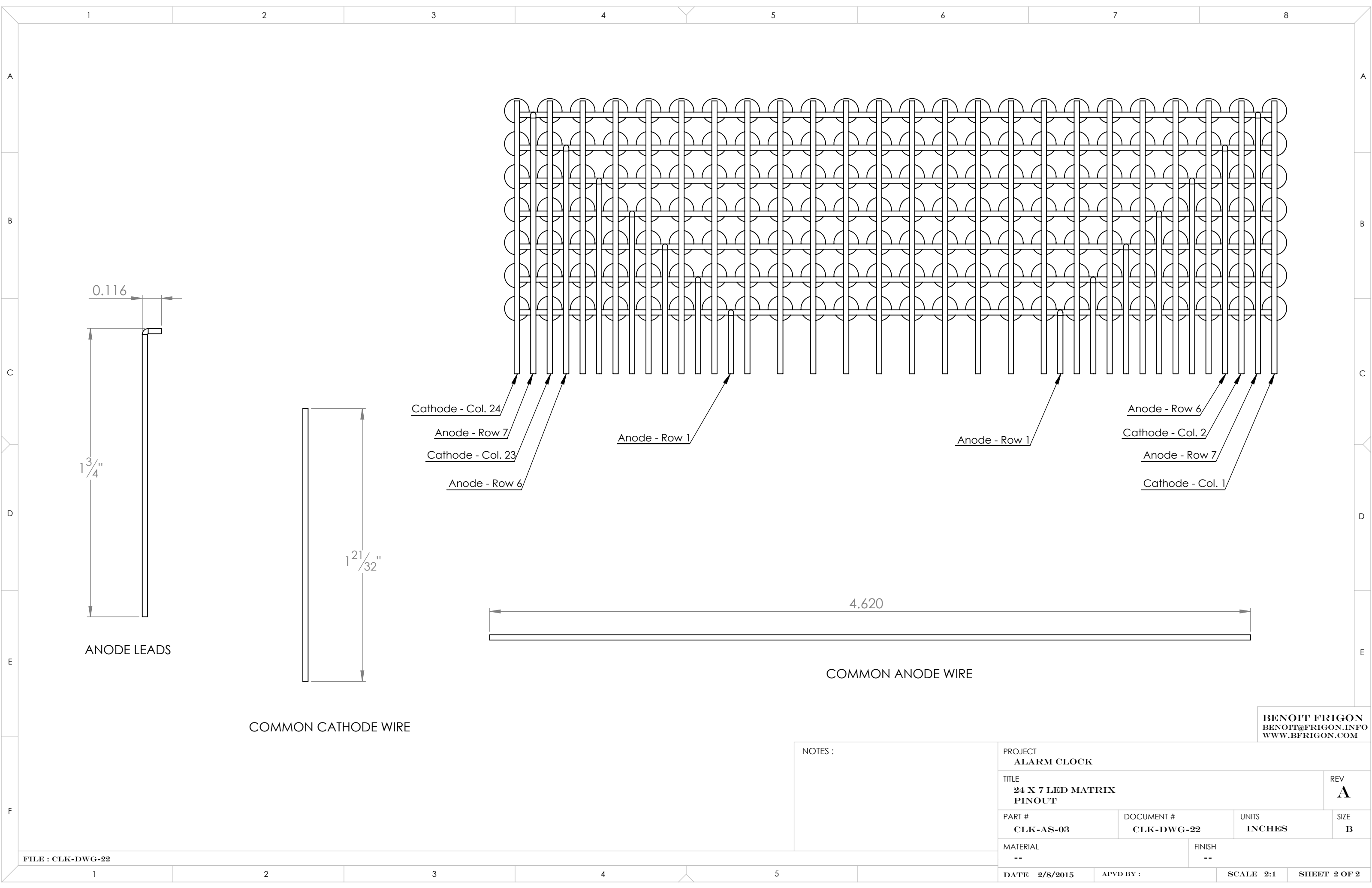
ITEM NO.	PART NUMBER	DESCRIPTION	QTY.
1	WP710A10CGCK	Clear Green LED 3mm	168
2	--	Common anode wire (Row)	7
3	--	Common cathode wire (Column)	24
4	--	Common anode lead wire	14



BENOIT FRIGON
 BENOIT@FRIGON.INFO
 WWW.BFRIGON.COM

NOTES :

PROJECT ALARM CLOCK			
TITLE 24 X 7 LED MATRIX DIMENSIONS			REV A
PART # CLK-AS-03	DOCUMENT # CLK-DWG-22	UNITS INCHES	SIZE B
MATERIAL --		FINISH --	
DATE 2/8/2015	APVD BY :	SCALE 2:1	SHEET 1 OF 2



BENOIT FRIGON
 BENOIT@FRIGON.INFO
 WWW.BFRIGON.COM

NOTES :

PROJECT ALARM CLOCK			
TITLE 24 X 7 LED MATRIX PINOUT			REV A
PART # CLK-AS-03	DOCUMENT # CLK-DWG-22	UNITS INCHES	SIZE B
MATERIAL --		FINISH --	
DATE 2/8/2015	APVD BY :	SCALE 2:1	SHEET 2 OF 2