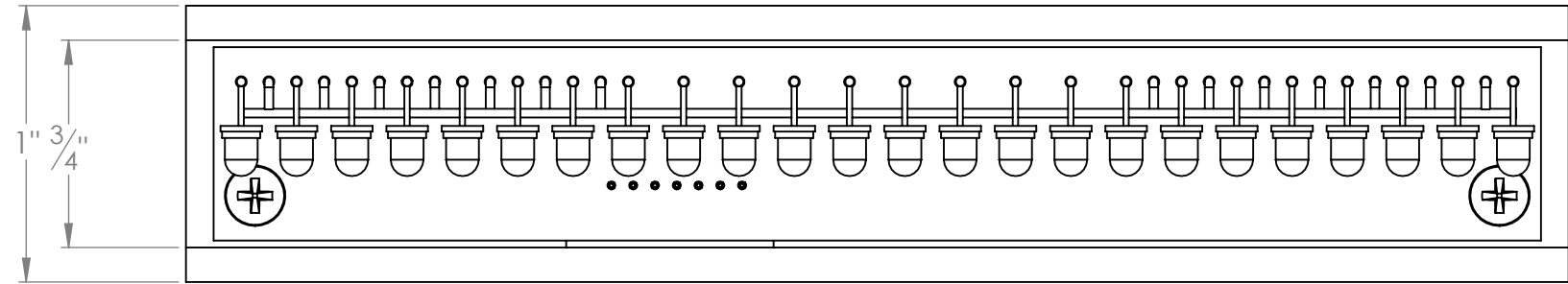


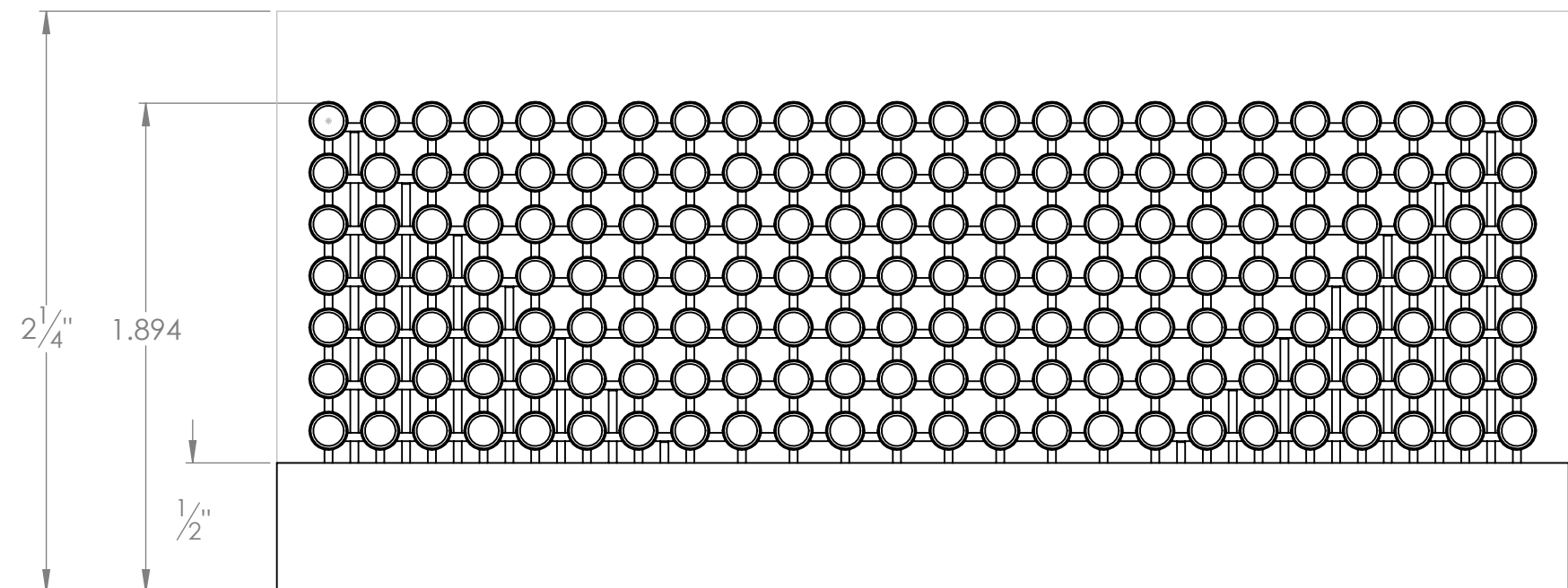
1 2 3 4 5 6 7 8

A



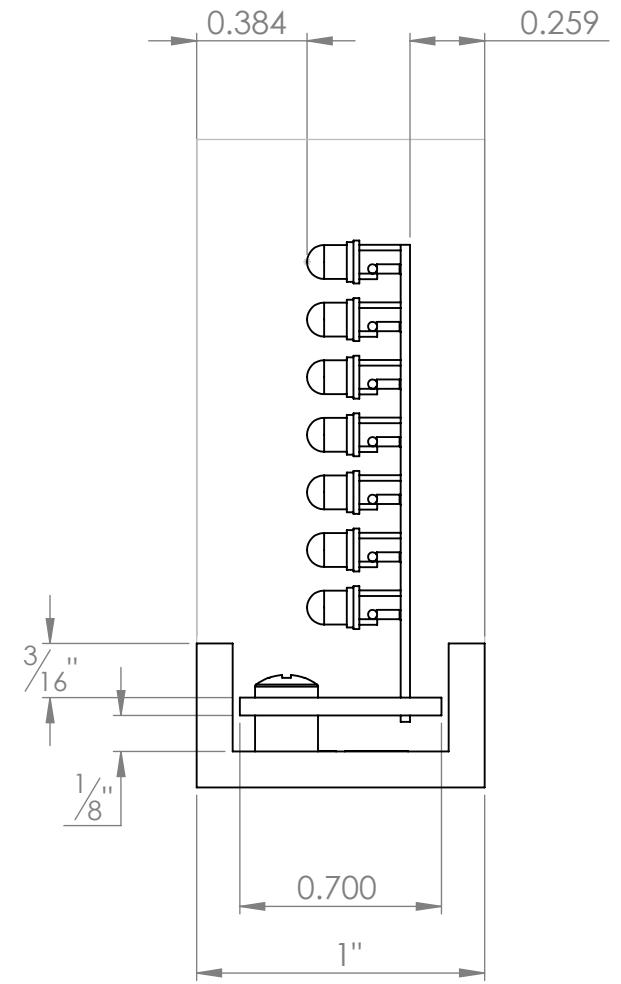
A

B



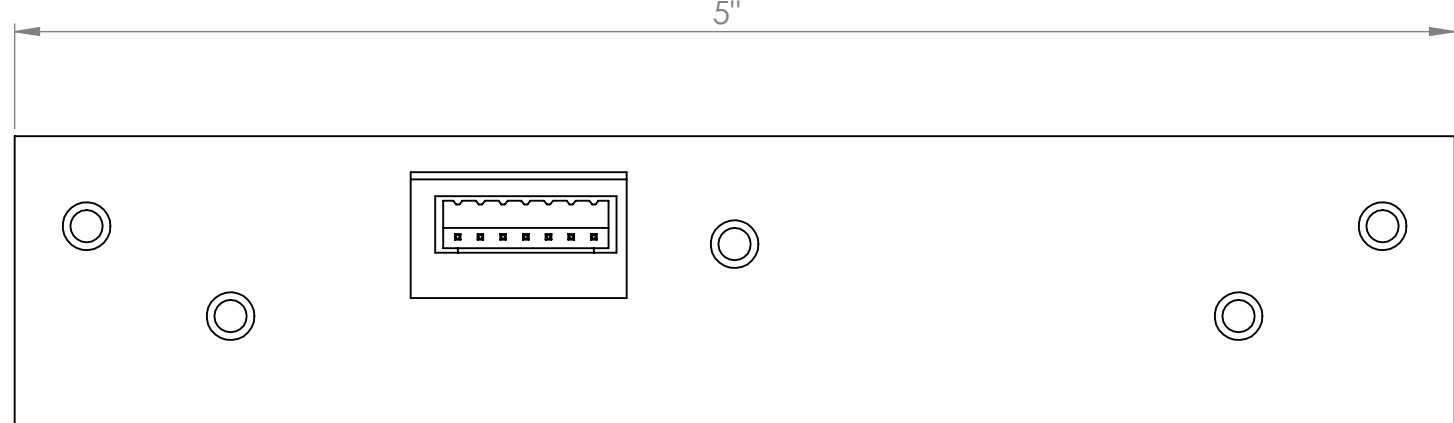
B

C



C

D



D

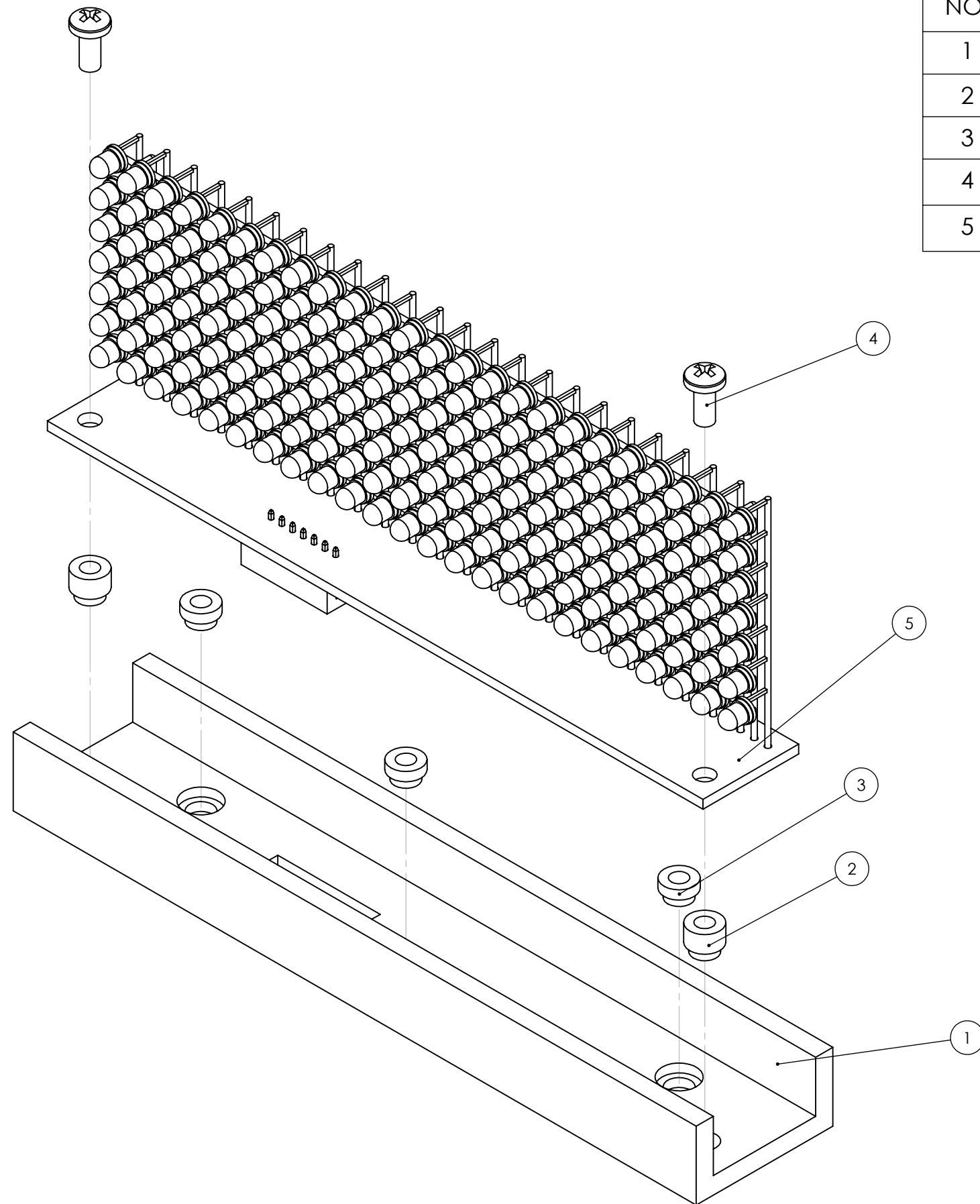
E

BENOIT FRIGON
BENOIT@FRIGON.INFO
WWW.BFRIGON.COM

NOTES :

PROJECT ALARM CLOCK			
TITLE DISPLAY ASSEMBLY (MODEL A) DIMENSIONS			REV A
PART # CLK-AS-02	DOCUMENT # CLK-DWG-24	UNITS INCHES	SIZE B
MATERIAL --		FINISH --	
DATE 4/22/2015	APVD BY :	SCALE 3:2	SHEET 1 OF 2

1 2 3 4 5



ITEM NO.	PART NUMBER	DESCRIPTION	QTY.
1	CLK-STR-01	Display base	1
2	4862	Force-Fit Standoff - #4-40, 0.125"	2
3	4861	Force-Fit Standoff - #4-40, 0.065"	3
4	PH-C-0440-0025	Phillips Panhead Screw - #4-40 x 1-4"	2
5	CLK-AS-01	Display (Model A) - Base PCB Assembly	1

BENOIT FRIGON
 BENOIT@FRIGON.INFO
 WWW.BFRIGON.COM

NOTES :

PROJECT ALARM CLOCK			
TITLE DISPLAY ASSEMBLY (MODEL A) EXPLODED VIEW			REV A
PART # CLK-AS-02	DOCUMENT # CLK-DWG-24	UNITS INCHES	SIZE B
MATERIAL --		FINISH --	
DATE 4/22/2015	APVD BY :	SCALE 3:2	SHEET 2 OF 2