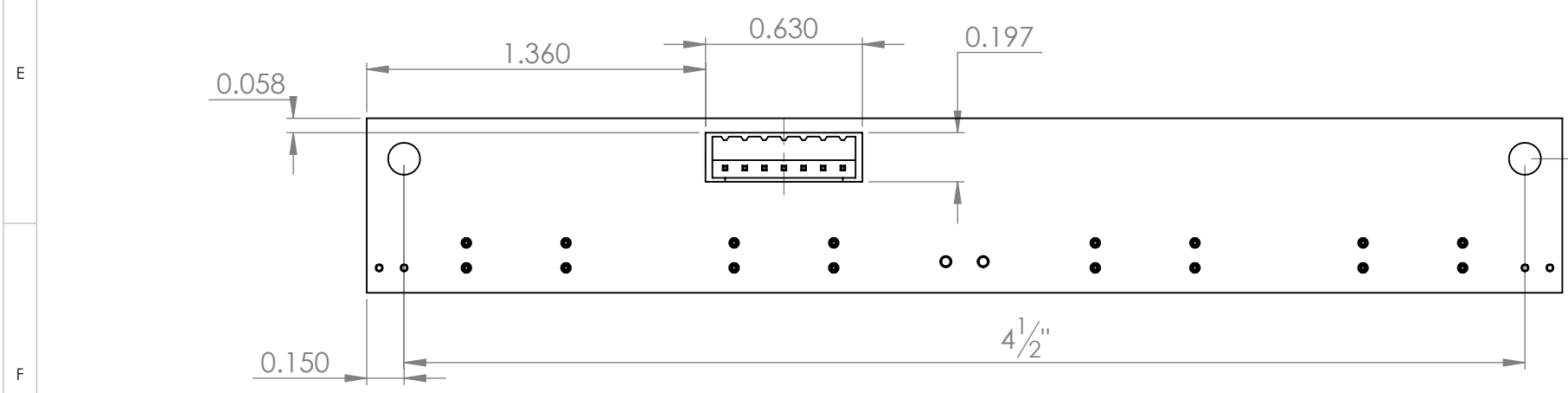
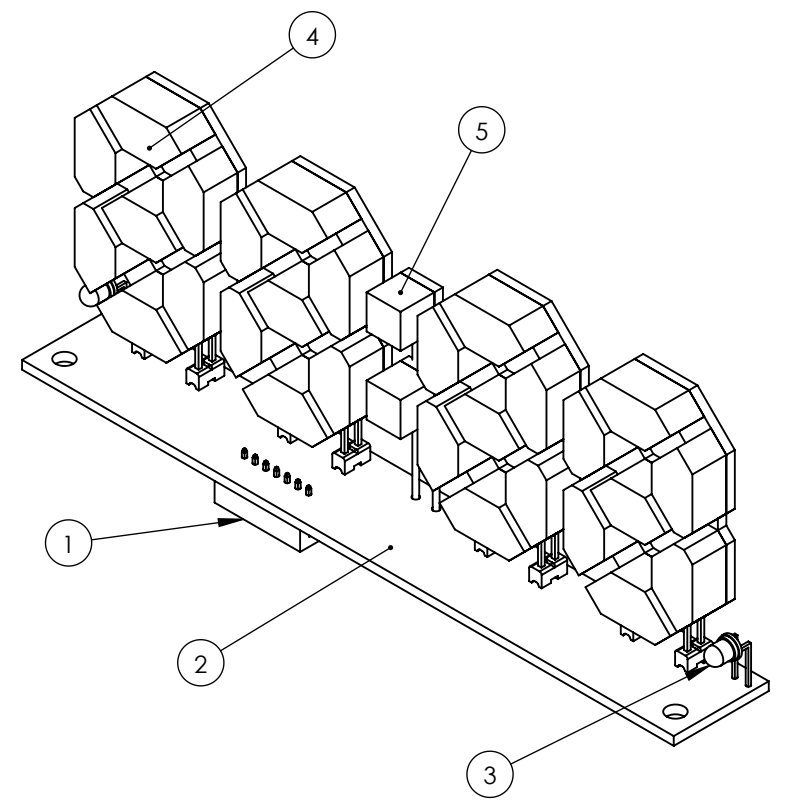
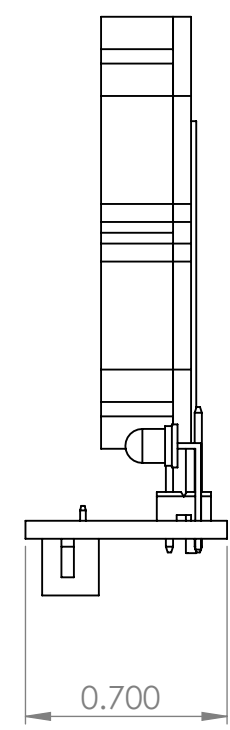
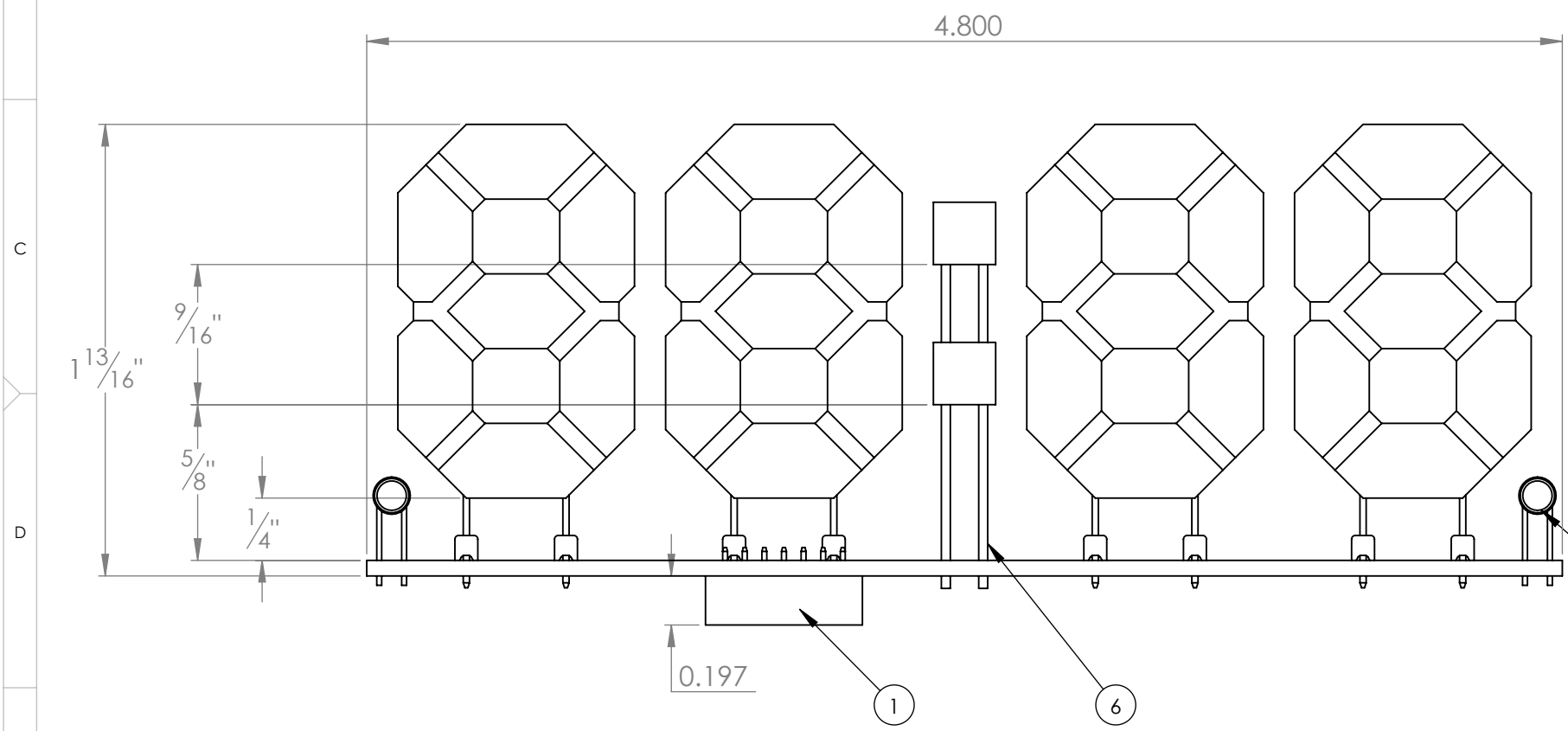


ITEM NO.	PART NUMBER	DESCRIPTION	QTY.
1	DF3A-7P-2DSA	Conn. Header 7 Pos - 2mm Pitch	1
2	CLK-PC-07	Display (Model B) - Base PCB	1
3	WP710A10SRC/D	Clear Red LED 3mm	2
4	CLK-AS-07	Segment PCB Assembly	4
5	CLK-AS-09	Dots PCB Assembly	2
6	--	Wire - 1.5"	2



**BENOIT FRIGON**  
 BENOIT@FRIGON.INFO  
 WWW.BFRIGON.COM

NOTES :

PROJECT ALARM CLOCK			
TITLE DISPLAY (MODEL B) - BASE PCB ASSEMBLY DIMENSIONS			REV <b>A</b>
PART # CLK-AS-08	DOCUMENT # CLK-DWG-27	UNITS INCHES IMM1	SIZE B
MATERIAL --		FINISH --	
DATE 2/8/2015	APVD BY :	SCALE 3:2	SHEET 1 OF 1