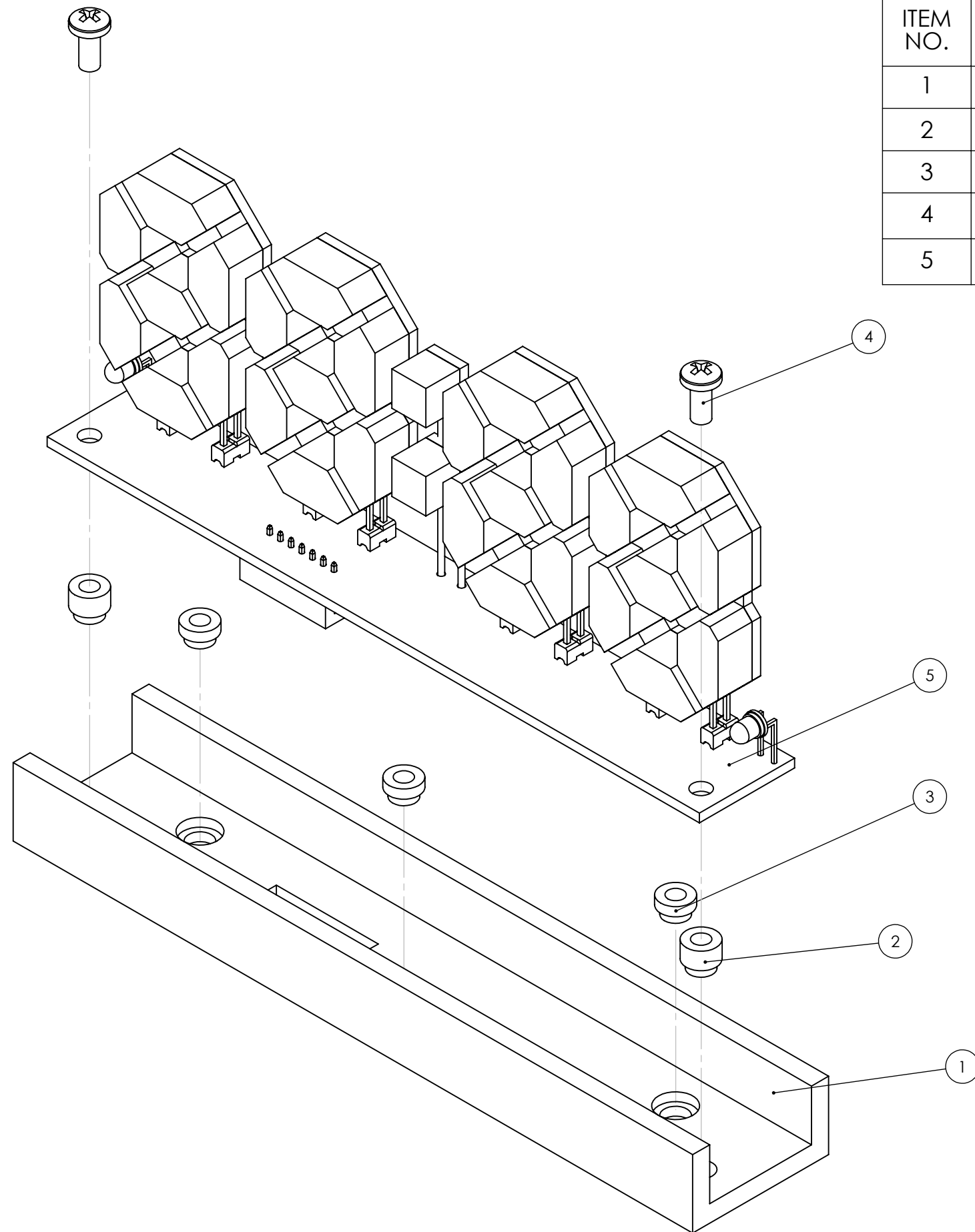


BENOIT FRIGON
 BENOIT@FRIGON.INFO
 WWW.BFRIGON.COM

NOTES :

PROJECT ALARM CLOCK			
TITLE DISPLAY ASSEMBLY (MODEL B) DIMENSIONS			REV A
PART # CLK-AS-06	DOCUMENT # CLK-DWG-28	UNITS INCHES	SIZE B
MATERIAL --		FINISH --	
DATE 4/22/2015	APVD BY :	SCALE 3:2	SHEET 1 OF 2



ITEM NO.	PART NUMBER	DESCRIPTION	model B/QTY.
1	CLK-STR-01	Display base	1
2	4862	Force-Fit Standoff - #4-40, 0.125"	2
3	4861	Force-Fit Standoff - #4-40, 0.065"	3
4	PH-C-0440-0025	Phillips Panhead Screw - #4-40 x 1-4"	2
5	CLK-AS-08	Display (Model B) - Base PCB Assembly	1

BENOIT FRIGON
 BENOIT@FRIGON.INFO
 WWW.BFRIGON.COM

NOTES :

PROJECT ALARM CLOCK			
TITLE DISPLAY ASSEMBLY (MODEL B) EXPLODED VIEW			REV A
PART # CLK-AS-06	DOCUMENT # CLK-DWG-28	UNITS INCHES	SIZE B
MATERIAL --		FINISH --	
DATE 4/22/2015	APVD BY :	SCALE 3:2	SHEET 2 OF 2