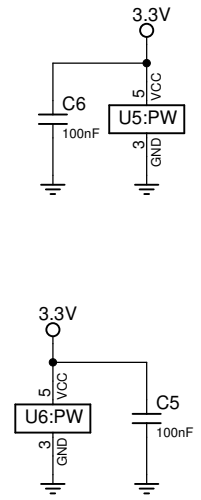
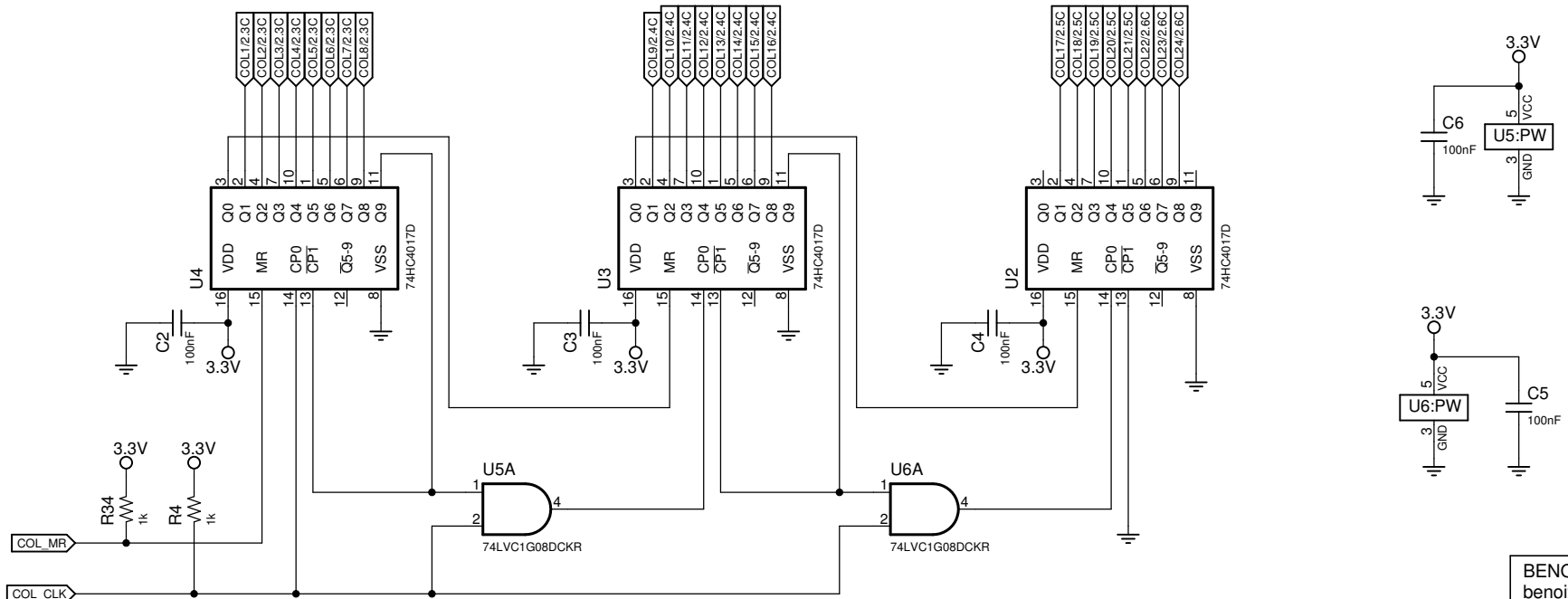
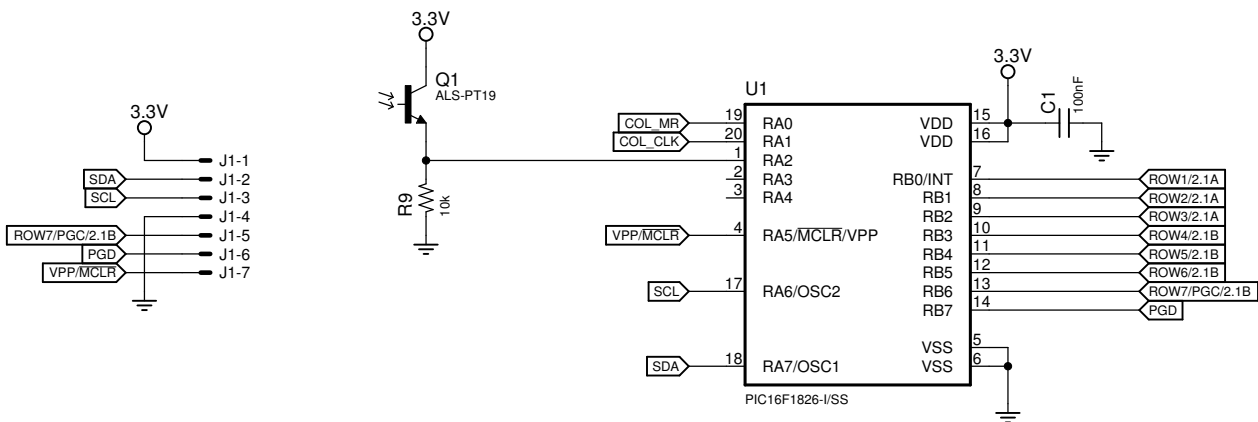
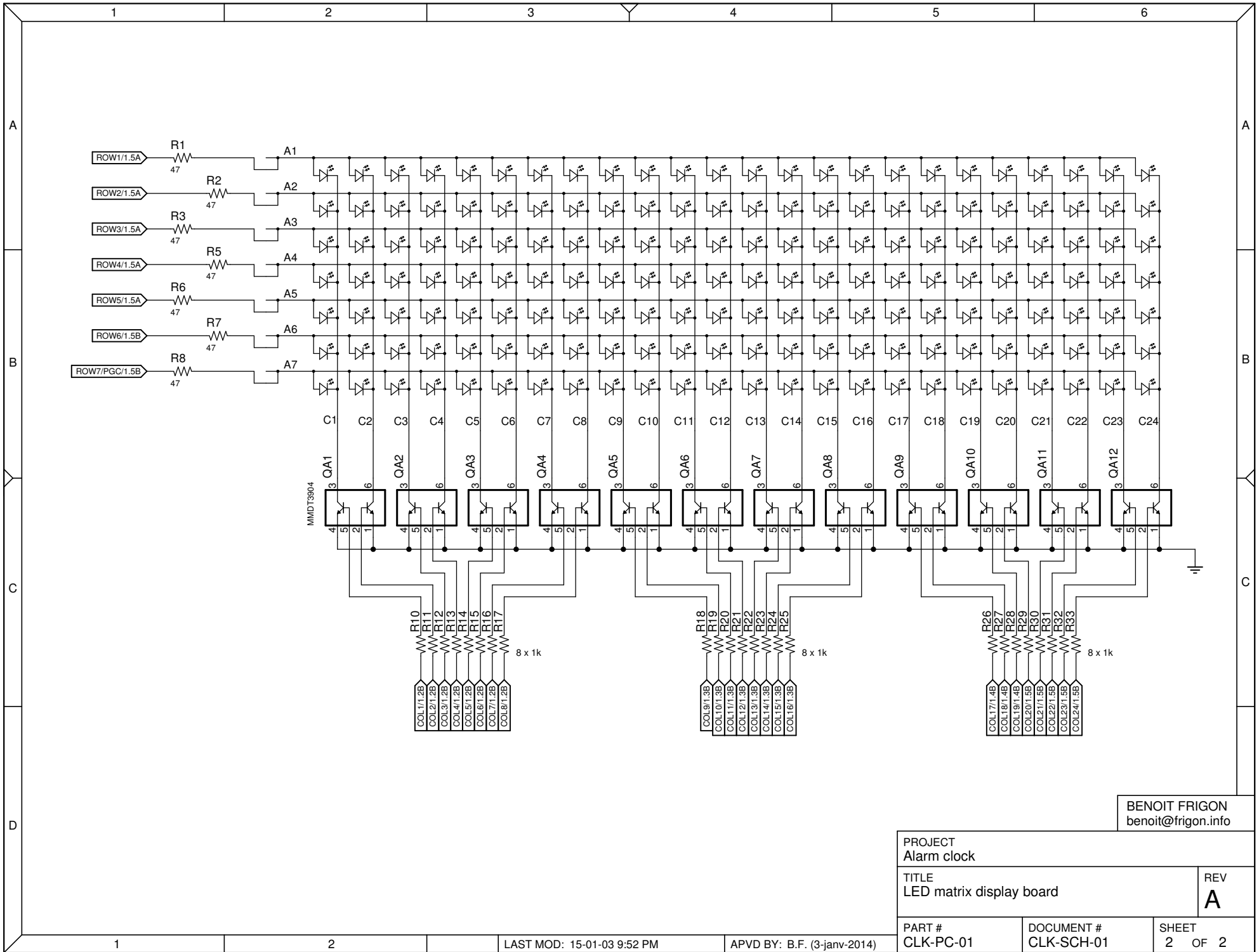


J1 PINOUT	
1	3.3V
2	I2C DATA
3	I2C CLOCK
4	GND
5	ICSP CLOCK
6	ICSP DATA
7	VPP



BENOIT FRIGON  
benoit@frigon.info

PROJECT Alarm clock		
TITLE LED matrix display board		REV <b>A</b>
PART # CLK-PC-01	DOCUMENT # CLK-SCH-01	SHEET 1 OF 2



BENOIT FRIGON  
benoit@frigon.info

PROJECT Alarm clock		
TITLE LED matrix display board		REV <b>A</b>
PART # CLK-PC-01	DOCUMENT # CLK-SCH-01	SHEET 2 OF 2