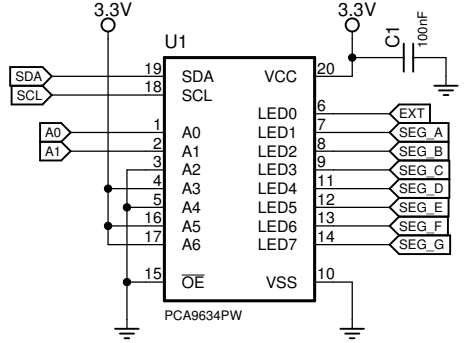


I2C ADDRESS SELECTION



BENOIT FRIGON
benoit@frigon.info

	A1	A0	R/W	
0xD0	1	1	0	1 0 0 X DIGIT 1
0xD2	1	1	0	1 0 1 X DIGIT 2
0xD4	1	1	0	1 1 0 X DIGIT 3
0xD6	1	1	0	1 1 1 X DIGIT 4

PROJECT Alarm Clock (Model B)		REV B
TITLE 7 Segment display		
PART # CLK-PC-05	DOCUMENT # CLK-SCH-05	SHEET 1 OF 1

LAST MOD: 15-01-03 9:11 PM

APVD BY: B.F. (15-01-03)