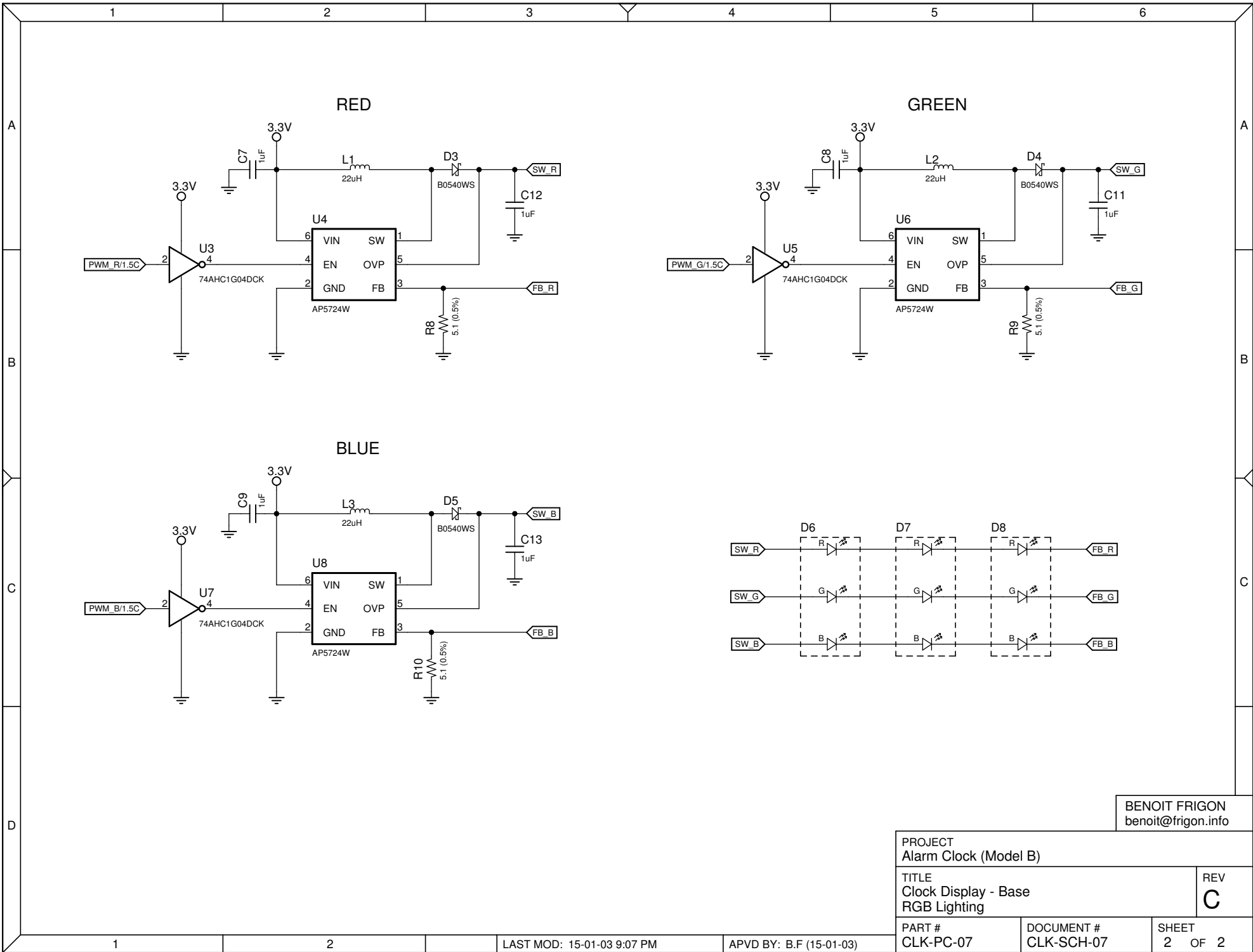


BENOIT FRIGON  
benoit@frigon.info

PROJECT Alarm Clock (Model B)		
TITLE Clock Display - Base RGB Lighting		REV <b>C</b>
PART # CLK-PC-07	DOCUMENT # CLK-SCH-07	SHEET 1 OF 2



BENOIT FRIGON  
benoit@frigon.info

PROJECT  
Alarm Clock (Model B)

TITLE  
Clock Display - Base  
RGB Lighting

REV  
C

PART #  
CLK-PC-07

DOCUMENT #  
CLK-SCH-07

SHEET  
2 OF 2