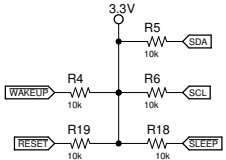
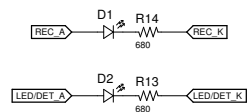
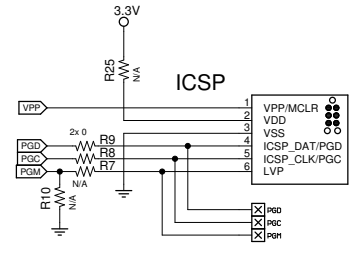
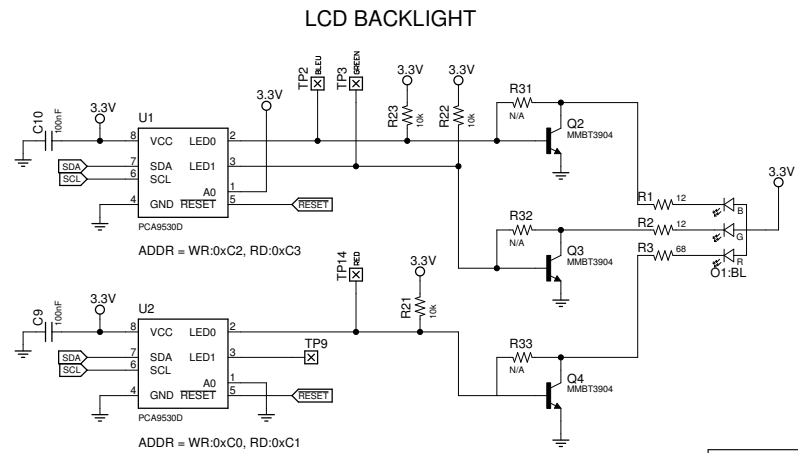
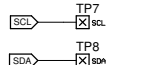
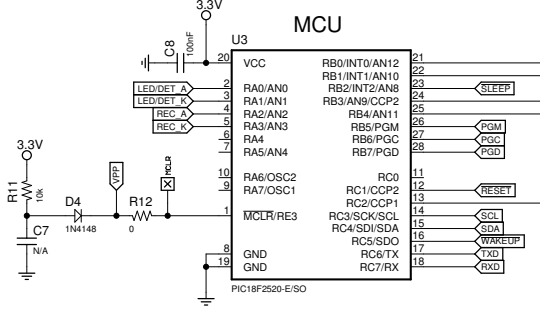
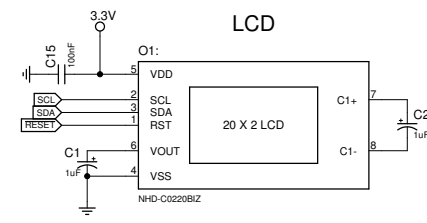
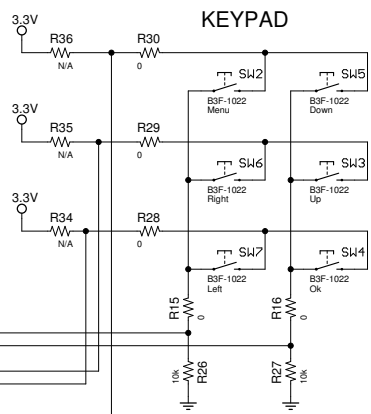
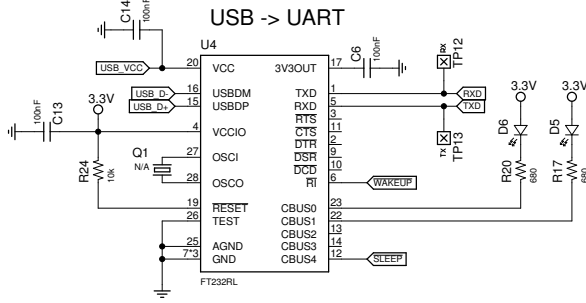
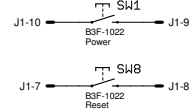
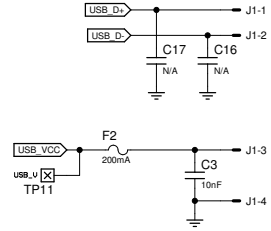
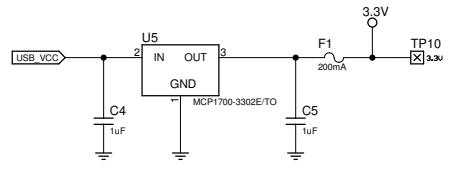


I2c Address table		
Device	Write	Read
LCD	0x7C	0x7D
Led dimmer 1 (A0=0)	0xC0	0xC1
Led dimmer 2 (A0=1)	0xC2	0xC3

J1 - PINOUT	
1	USB D+
2	USB D-
3	USB VCC
4	USB GND
5	Power LED (-)
6	Power LED (+)
7	GND
8	RESET SW
9	GND
10	POWER SW



BENOIT FRIGON
bfrigon@gmail.com

PROJECT PVR		REV B	
TITLE Front panel interface			
PART # PC-01	DOCUMENT # PVR-SCH-001	SIZE A B	SHEET 1 OF 1
LAST MOD: not saved!		APVD BY: >APVD	