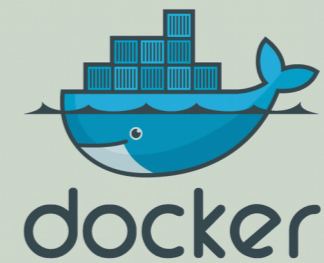


# SINAPPs for fetal MRI super resolution

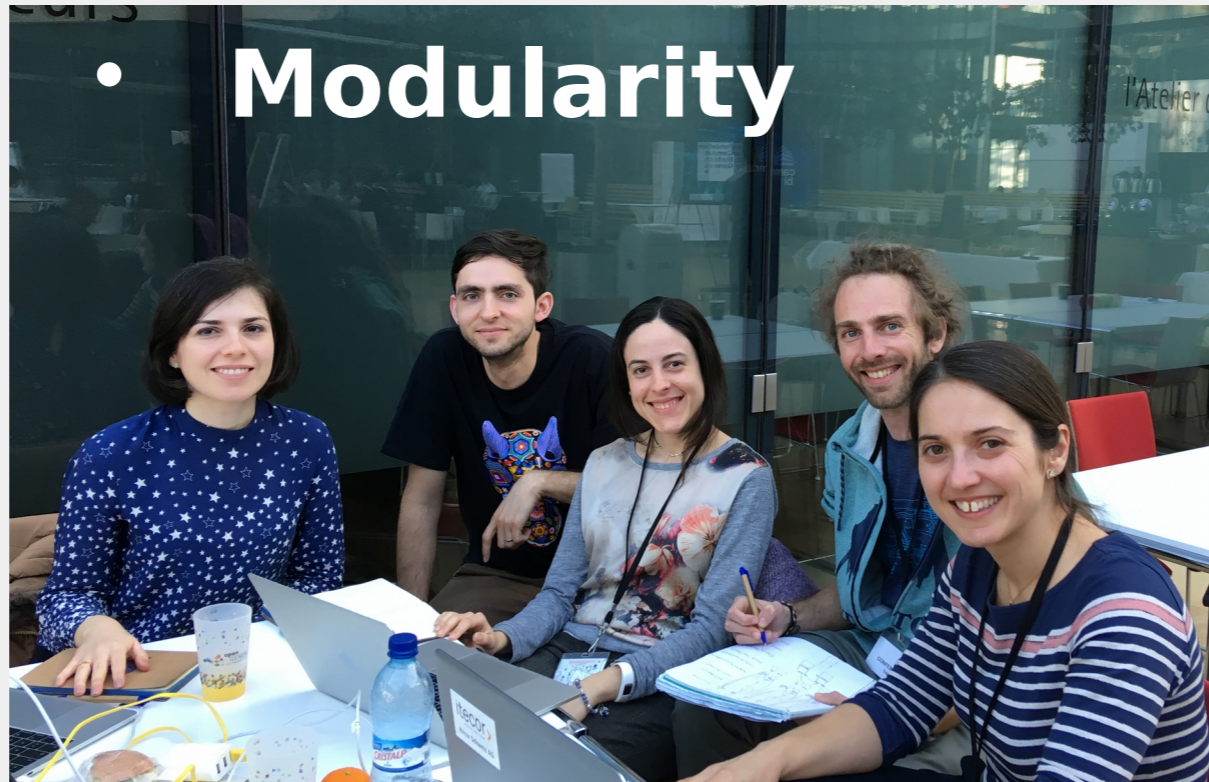
# BIDS

## BIDS App

- Standardization
- Portability
- Reproducibility

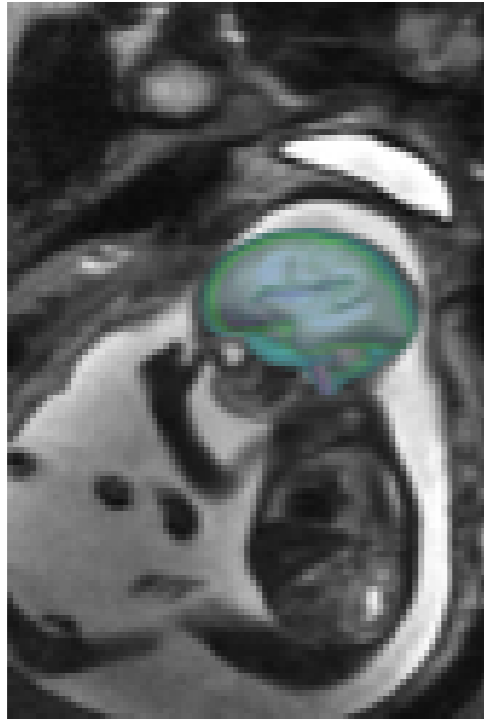


- Modularity



## SINAPPs

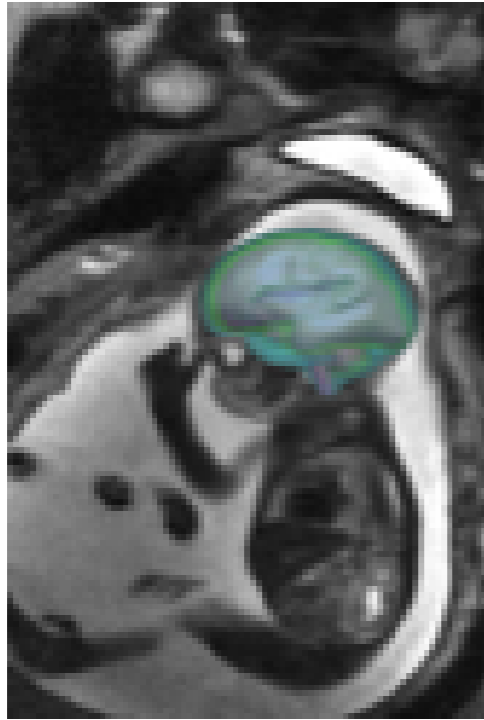
**Self-contained  
Interfaceable  
No-nonsense  
Applications**



# Use case: SINAPPs for fetal MRI super resolution

## **What existed before:**

- **C++ library providing complete solution for the whole pipeline**
- **In-house data organization and workflow (not standard)**



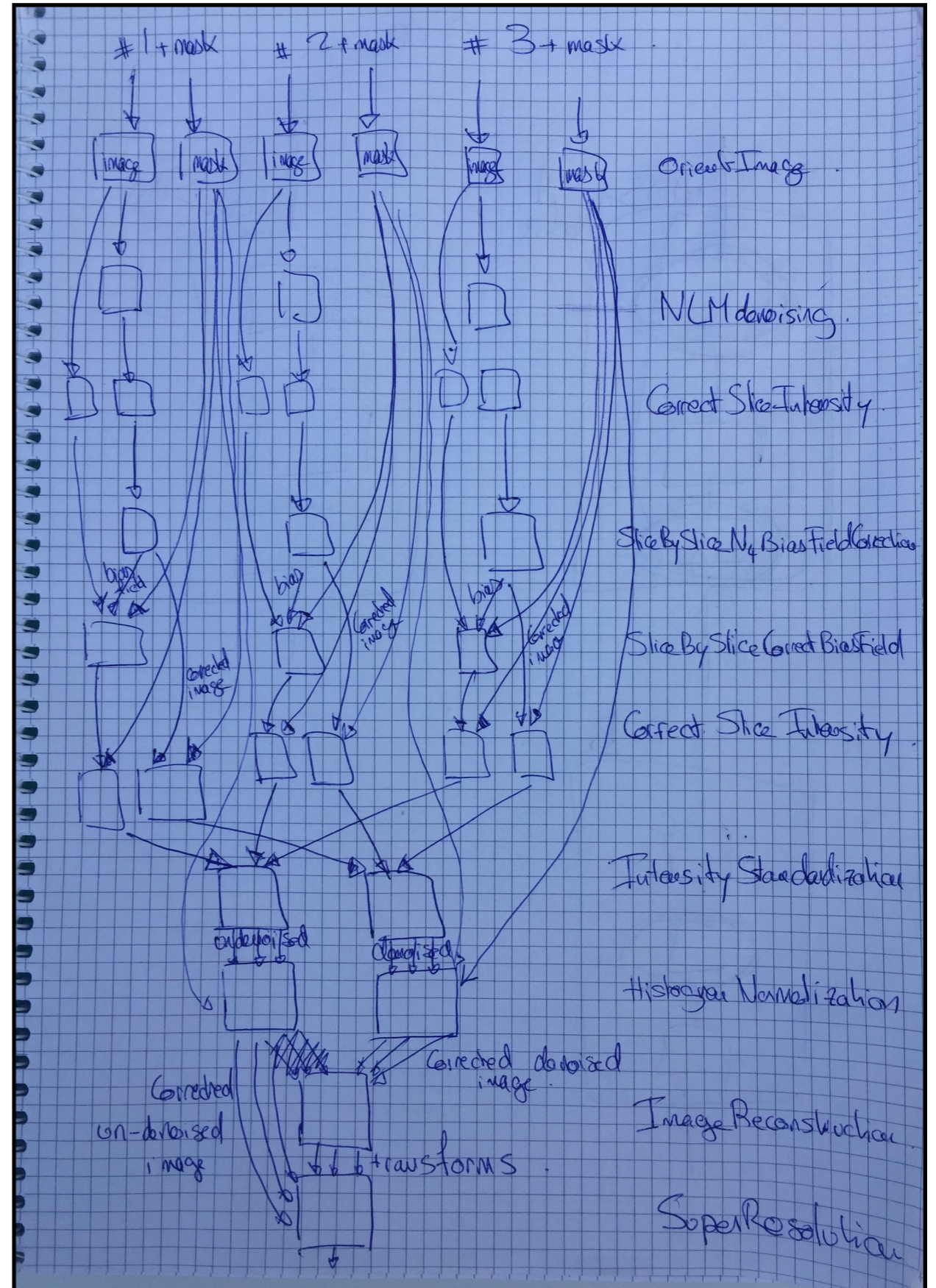
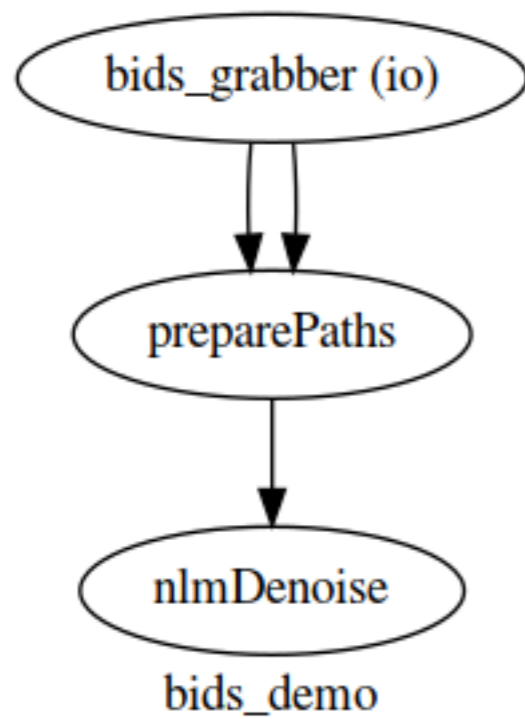
# Use case: SINAPPs for fetal MRI super resolution

## What we wanted to achieve:

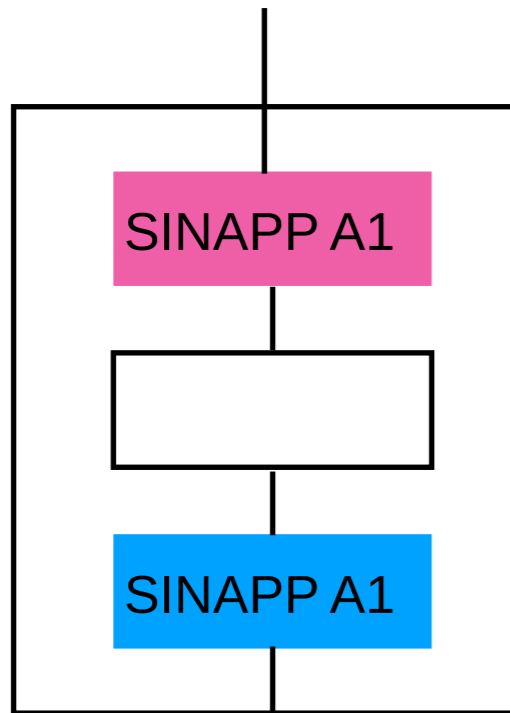
- **How to use BIDS Apps framework and Nipype to develop modular workflows**
- **Proof of concept that it is feasible**
- **Set up basis for next generation development**

## What we have achieved:

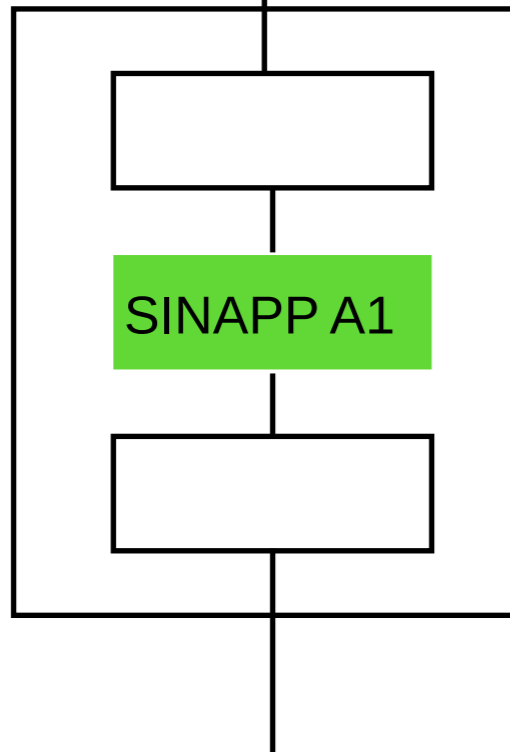
- No need to have multiple docker images
- Determined how to connect modules



# SINAPP framework

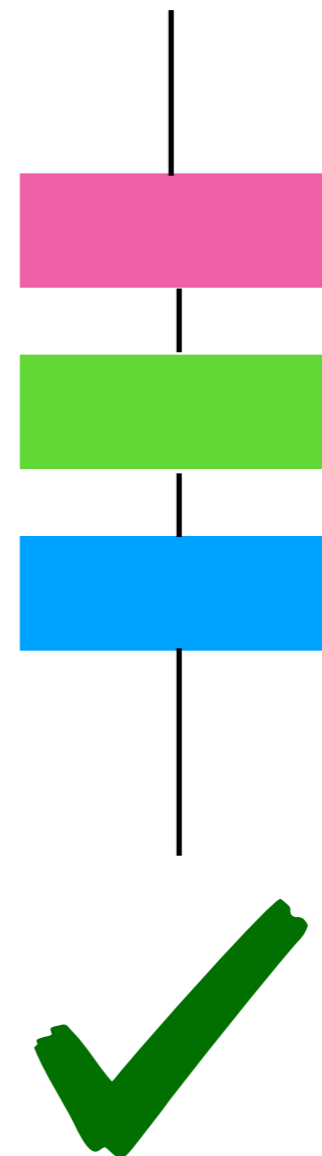


**BIDS App A**

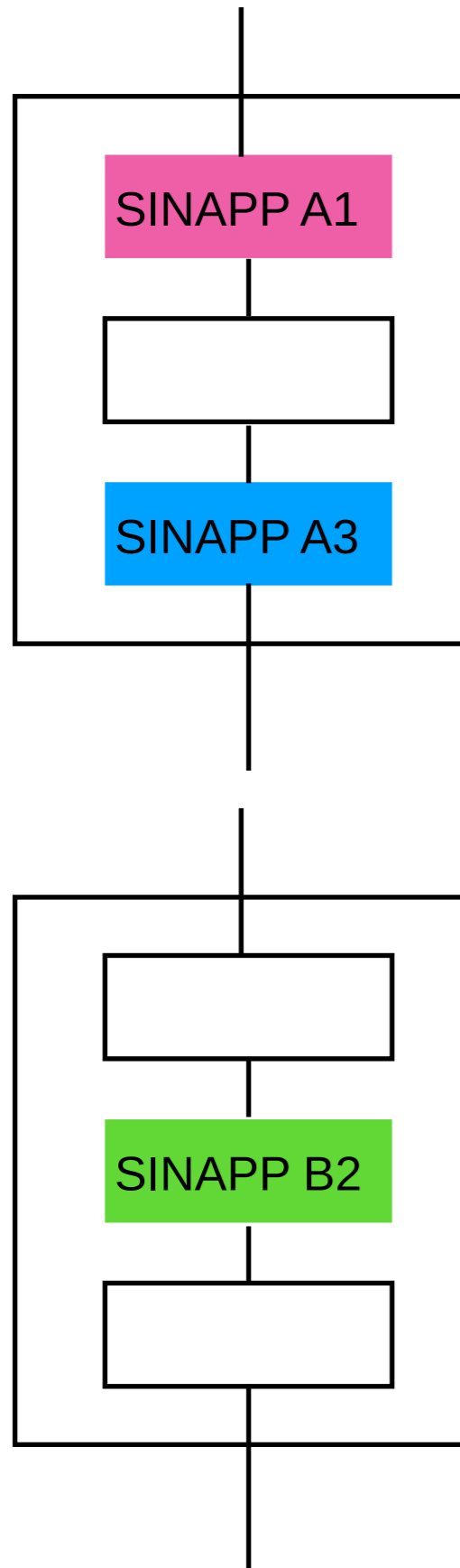


**BIDS App B**

**Custom Pipeline of  
SINAPPs**



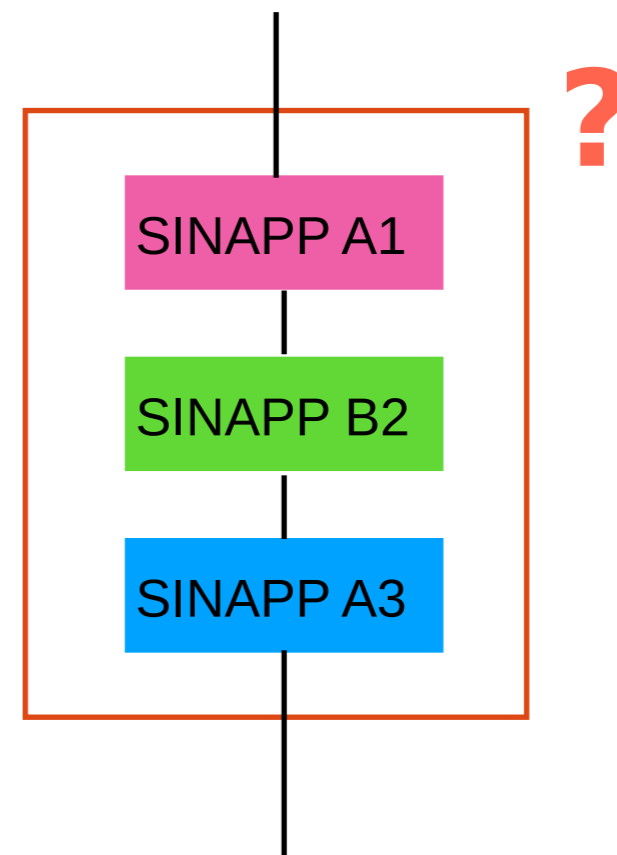
# SINAPP framework



**BIDS App A**

**BIDS App B**

**Custom BIDS App**




**Next BrainHack**

# BIDSLayout unable to interpret the input path on Windows

## 10 #425

New issue

 Open snezakg opened this issue 5 hours ago · 0 comments



snezakg commented 5 hours ago



Hi,

I am running the following commands through a Jupyter Notebook from Anaconda 4.6.8 on Windows 10:

```
bids_dir = "C:/Users/myself/DevArea/ds-supermri/bids"  
layout = BIDSLayout(bids_dir)
```

The command is crashing with:

```
error: incomplete escape \U at position 2
```

I tried changing slashes to single and double backslashes, and also putting an r in front of the string, but BIDSLayout doesn't seem to be interpreted any of these.

Is there any explanation to this behaviour or a suggestion how to fix it?

Provided below:

1. Complete error message
2. Complete listing of the conda environment used

I am happy to provide more details if needed. Thanks in advance.

Cheers,  
Snežana

### Assignees

No one assigned

### Labels

None yet

### Projects

None yet

### Milestone

No milestone

### Notifications

 **Subscribe**

You're not receiving notifications from this thread.

1 participant



**DON'T USE WINDOWS**