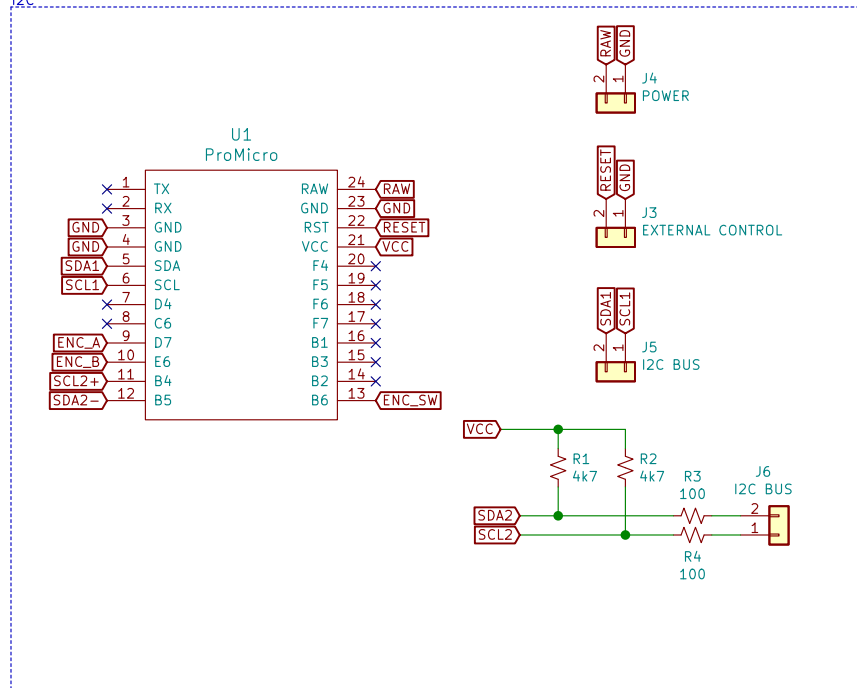
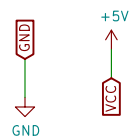
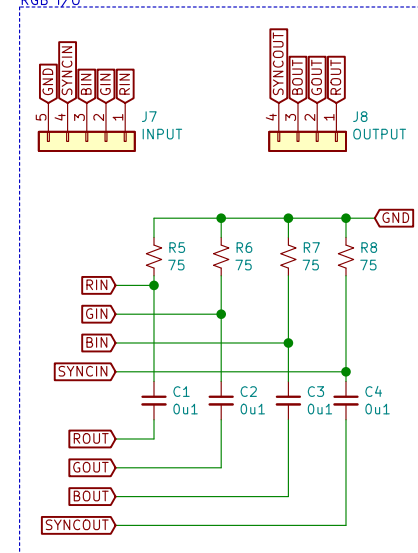


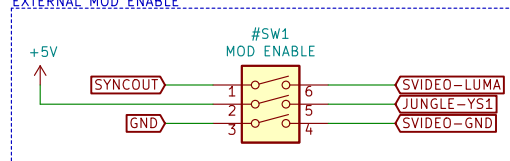
I2C



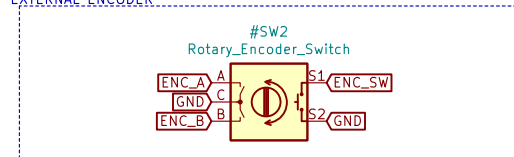
RGB I/O



EXTERNAL MOD. ENABLE



EXTERNAL ENCODER



c6p.dev

Sheet: /
File: electronics.sch

Title: KV-27V66 I2C RGB MOD

Size: USLetter Date: 2021-08-10
KiCad E.D.A. kicad (5.1.10)-1

Rev: 1
Id: 1/1