



## Description

The DA910 is an affordable and highly efficient multi-band GNSS active antenna.

The device allows concurrent reception of GPS / GLONASS / BeiDou & Galileo signals to improve signal availability.

The minimum 5dBi peak gain is amplified using a 40dB LNA gain to ensure the best signal quality in any situation.

The TNC connector makes it robust and waterproof.

A magnetic threaded pod is included for easy placement onto any metallic surface like car or house roofs, structures, rovers, etc...

## Features

- Multiband L1/L2 active antenna
- High LNA gain (40dB)
- 3.0 to 5.5V/45mA power supply
- 5/8-11UNC threaded magnetic pod
- 1m long TNC to SMA cable

## Applications

- RTK Base
- GPS
- Precise navigation
- Vehicle mounted GPS

Table 1. Device summary

Order ref code	Temperature range [ °C ]	Product size [mm]
0910	-40 to +85	146.5 x 146.5 x 62.5

---

# Contents

<b>1. Specifications</b>	<b>3</b>
<b>2. Absolute maximum ratings</b>	<b>4</b>
<b>3. Applications</b>	<b>5</b>
3.1 Standalone Base/Rover configuration	5
3.2 Autopilot Base/Rover configuration	5
<b>4. Accessories included</b>	<b>6</b>
<b>5. Mechanical drawings</b>	<b>7</b>
<b>6. Revision history</b>	<b>8</b>

# 1. Specifications

Table 2. DA910 mechanical and electrical specifications

Item	Specifications	
Antenna	GNSS bands	GPS L1/L2/L5 GLONASS G1/G2/G3 BeiDou B1/B2/B3 Galileo E1/E2/E5a/E5b/E6
	Polarization	RHCP
	Axial Ratio	≤3.0dB
	V.S.W.R.	≤1.5dB
	Peak Gain	≥5.0dBi
	Impedance	50Ω
	Phase Center Error	±2mm
	Horizontal Coverage Angle	360°
LNA	Gain	40.0 ± 2.0dB
	Noise Figure	≤1.5dB
	Passband Fluctuation	±1.0dB
	Supply Voltage	3-12V DC
	Current Consumption	≤50mA
	V.S.W.R.	≤2.0dB
Mechanical	Connector	TNC-K
	Radome Material	ABS
	Mounting Method	Screw
Environnemental	Operating Temperature	-40° C/+85° C
	Relative Humidity	Up to 95%
	Ingress Protection	IP67 (exclude air vent in screw hole)
	Environmentally Friendly	ROHS Compliant

## 2. Absolute maximum ratings

Stresses above those listed as “absolute maximum ratings” may cause permanent damage to the device. This is a stress rating only and functional operation of the device under these conditions is not implied. Exposure to maximum rating conditions for extended periods may affect device reliability.

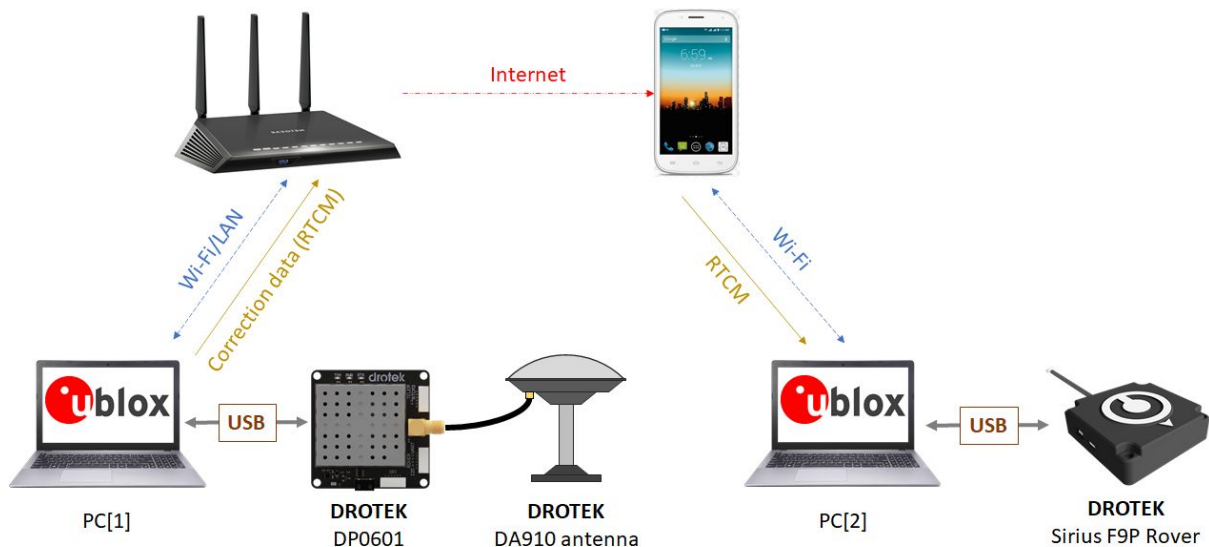
Table 3. DA910 absolute maximum ratings

Symbol	Parameter	Maximum value	Unit
Vant	Antenna voltage supply	3.0 to +12	V
Iant	Antenna current supply	50	mA
Hant	Relative humidity	95	%
Tant	Operating temperature	-40 to +85	°C

## 3. Applications

### 3.1 Standalone Base/Rover configuration

Figure 1. DA910 antenna connected to a Drotek DP0601, then sending RTCM data to a Rover via the internet network



DROTEK DP0601 : <https://store.drotek.com/rtk-zed-f9p-gnss>

DROTEK Sirius F9P Rover: <https://store.drotek.com/u-blox-ann-mb-multi-band-antenna>

### 3.2 Autopilot Base/Rover configuration

Figure 2. DA910 antenna connected to a Drotek DP0601 and a Drotek Pixhawk3Pro



DROTEK DP0601 : <https://store.drotek.com/rtk-zed-f9p-gnss>

DROTEK Pixhawk3Pro : <https://store.drotek.com/pixhawk-3-pro-autopilot-aluminum-case>

## 4. Accessories included

Figure 3. DA910 accessories included



1. DA910 antenna
2. 1m long TNC to SMA cable
3.  $\frac{5}{8}$ -11UNC threaded magnetic aluminium pod

## 5. Mechanical drawings

Figure 4. DA910 mechanical drawings

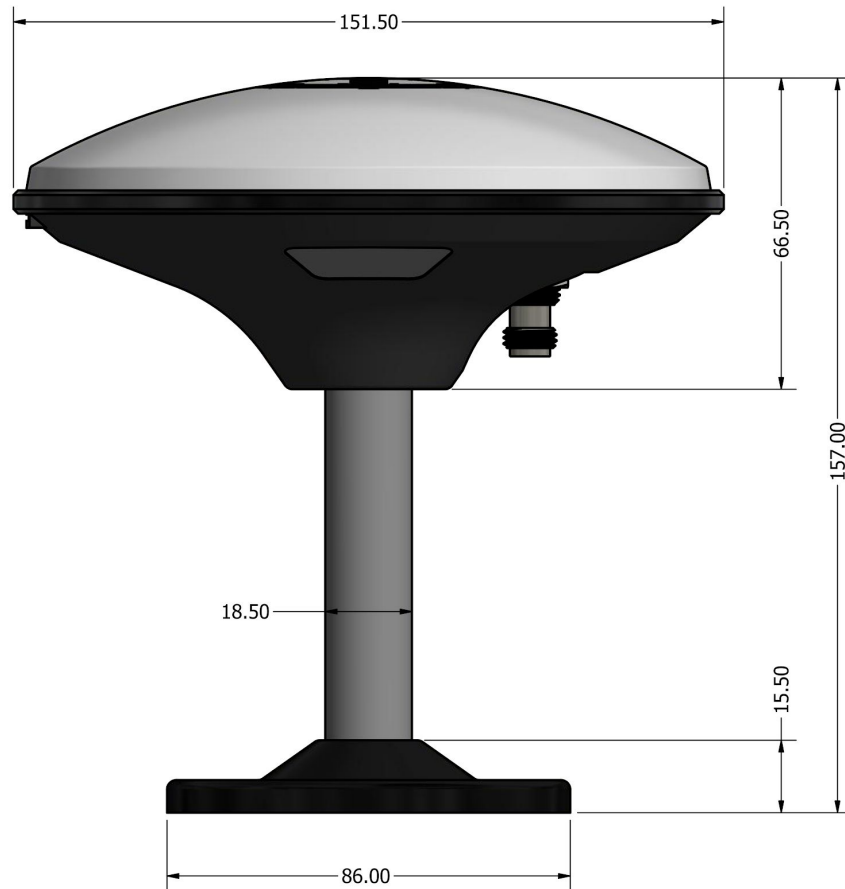
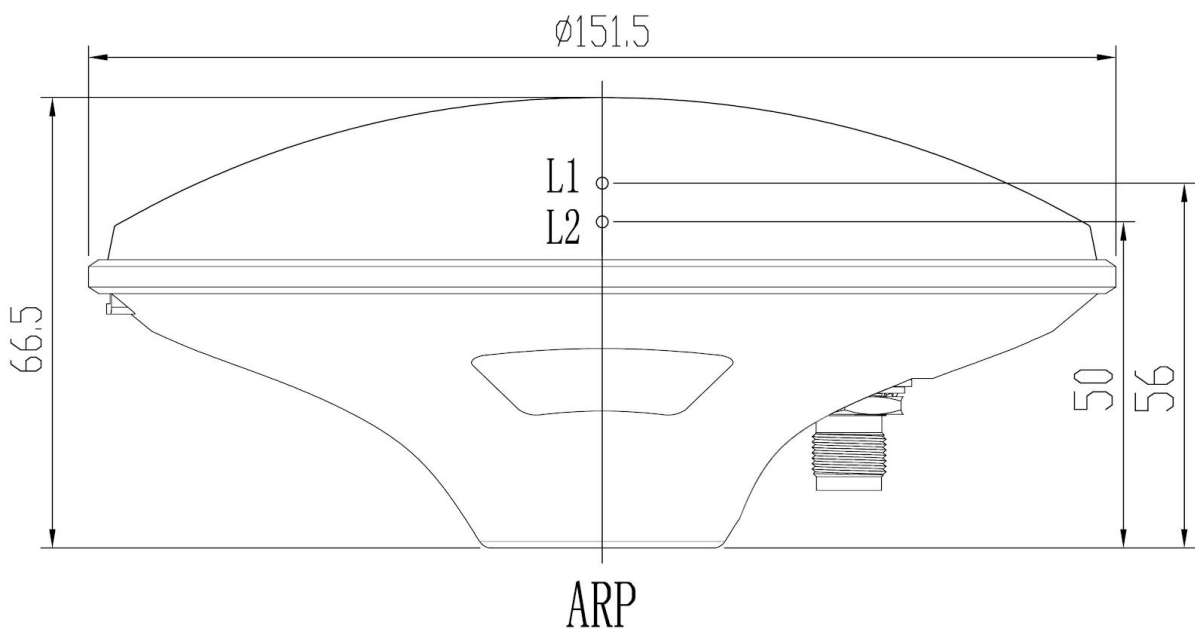


Figure 5. DA910 antenna L1/L2 reference point & phase center



---

## 6. Revision history

Table 4. Document revision history

Date	Revision	Changes
04-Nov-2019	1.0	DrotekDoc_0910 / Initial release
05-May-2020	1.1	Mechanical Dimensions Supply Voltage & Power



**IMPORTANT NOTICE - PLEASE READ CAREFULLY**

Drotek reserves the right to make changes, corrections, enhancements, modifications, and improvements to Drotek products and/or to this document at any time without notice. Purchasers should obtain the latest relevant information on Drotek products before placing orders. Drotek products are sold pursuant to Drotek's terms and conditions of sale in place at the time of order acknowledgement.

Purchasers are solely responsible for the choice, selection, and use of Drotek products and Drotek assumes no liability for application assistance or the design of Purchasers' products.

No license, express or implied, to any intellectual property right is granted by Drotek herein.

Resale of Drotek products with provisions different from the information set forth herein shall void any warranty granted by Drotek for such product.

Information in this document supersedes and replaces information previously supplied in any prior versions of this document.

2019 Drotek - All rights reserved

