

- Note1: Text in italic placed on a wire does not correspond to net name. It just helps to identify rapidly Arduino's signal related to this wire.*
2. Add C58 4.7uF ceramic capacitor on VDD from A-01 to B-01
 3. R33's value changed to 200Kohm from A-01 to B-01
 4. Add pull-up & pull-down resistors on PB2 for BOOT1 (F4 series) from A-01 to B-01
 5. All peripherals' power changed to +3V3_PER from A-01 to B-01
 6. C36 & C37's value changed to 2pF from A-01 to B-01
 7. Add R76 1.5K pull-up circuit to USB_DP for F303ZE only from A-01 to B-01
 8. LD1 can be controlled by PB0 from A-01 to B-01
 9. DN1 on CN7 can be set to PB5 from A-01 to B-01

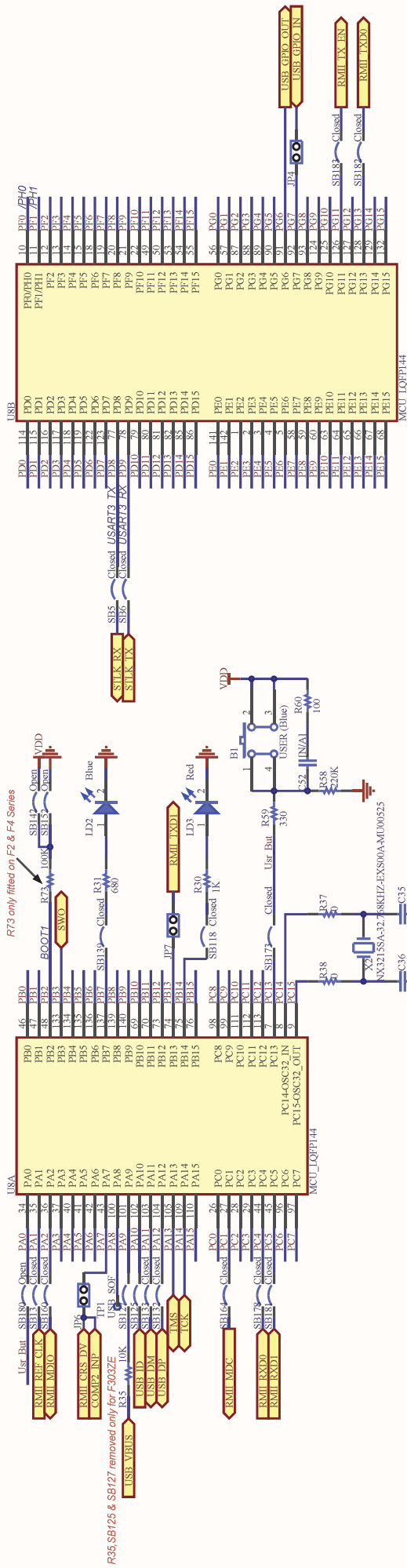
Title: TOP & POWER

Project: NUCLEO-XXXXX

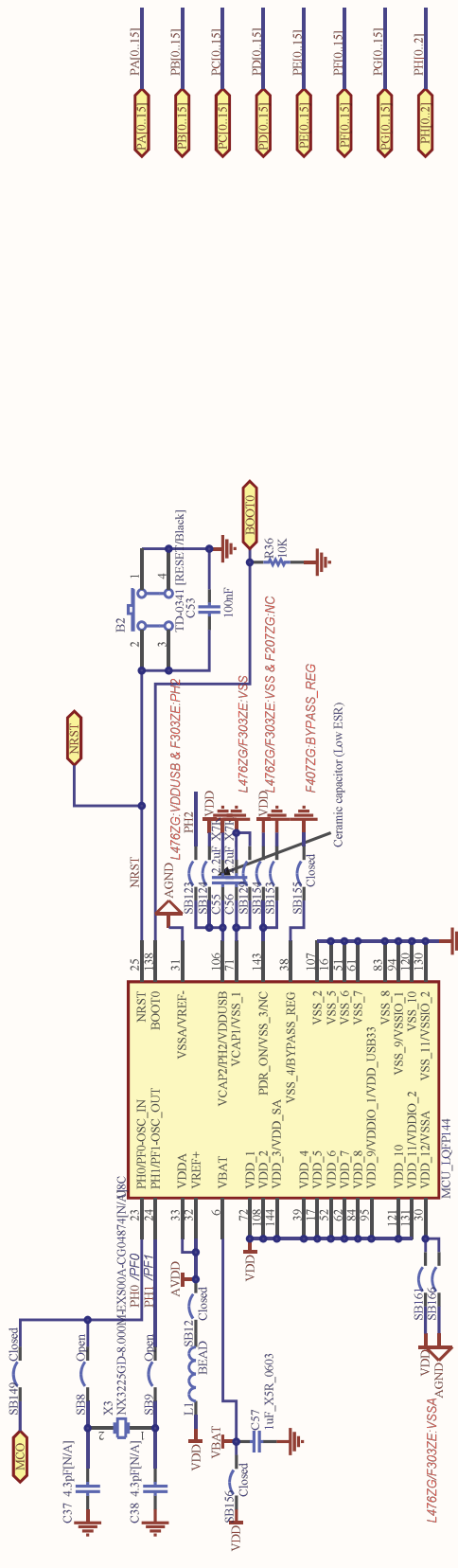
Size: A4 Reference: MB1137 Revision: B-01

Date: 12/2/2015 Sheet: 1 of 6

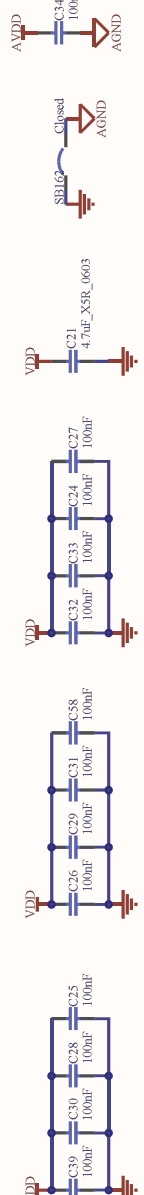




MCU_IQFP144

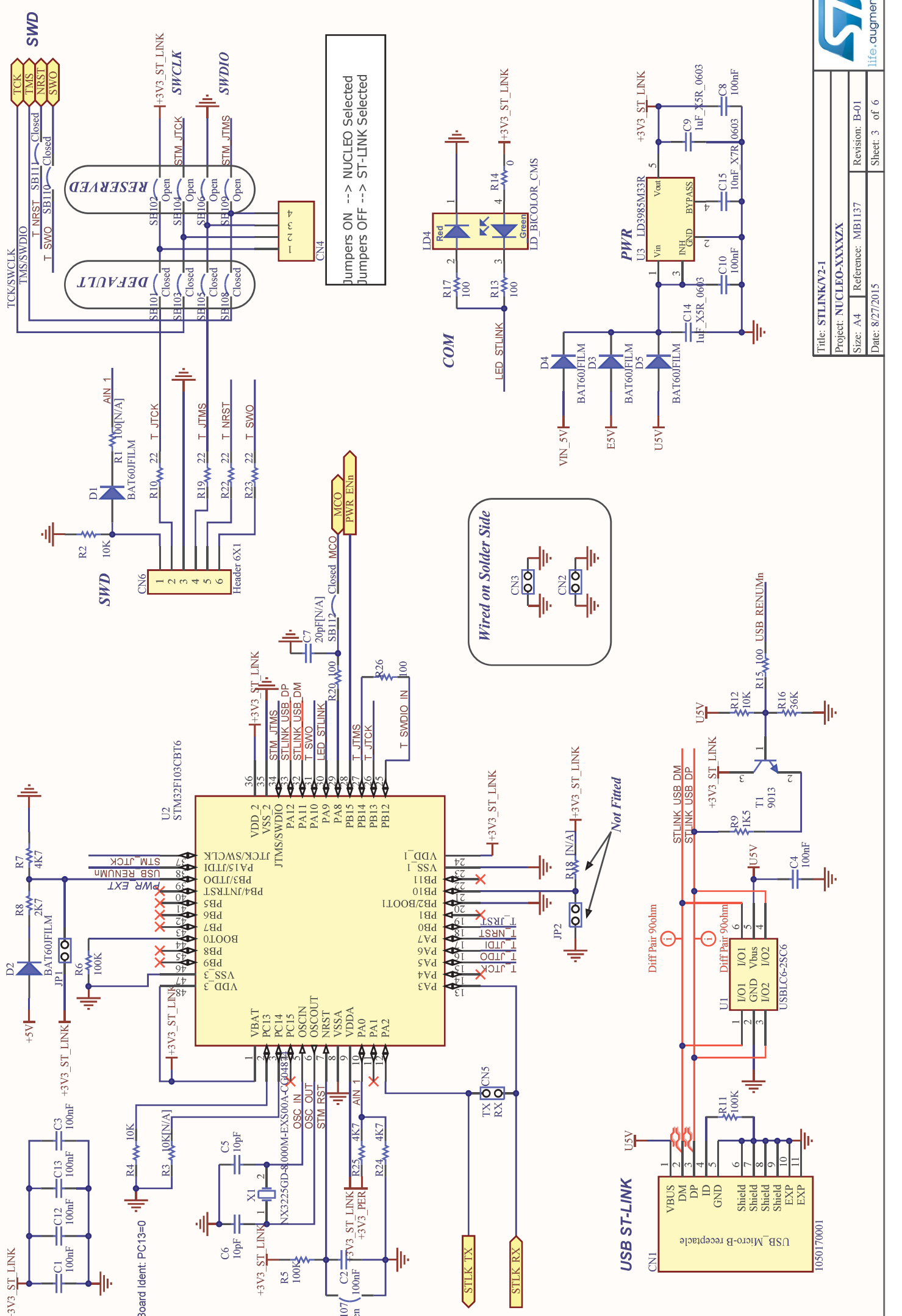


MCU_IQFP144

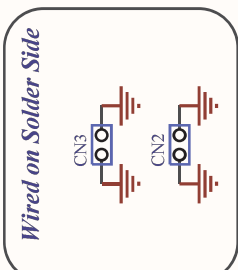


F75 only fitted on F2 & F4 Series

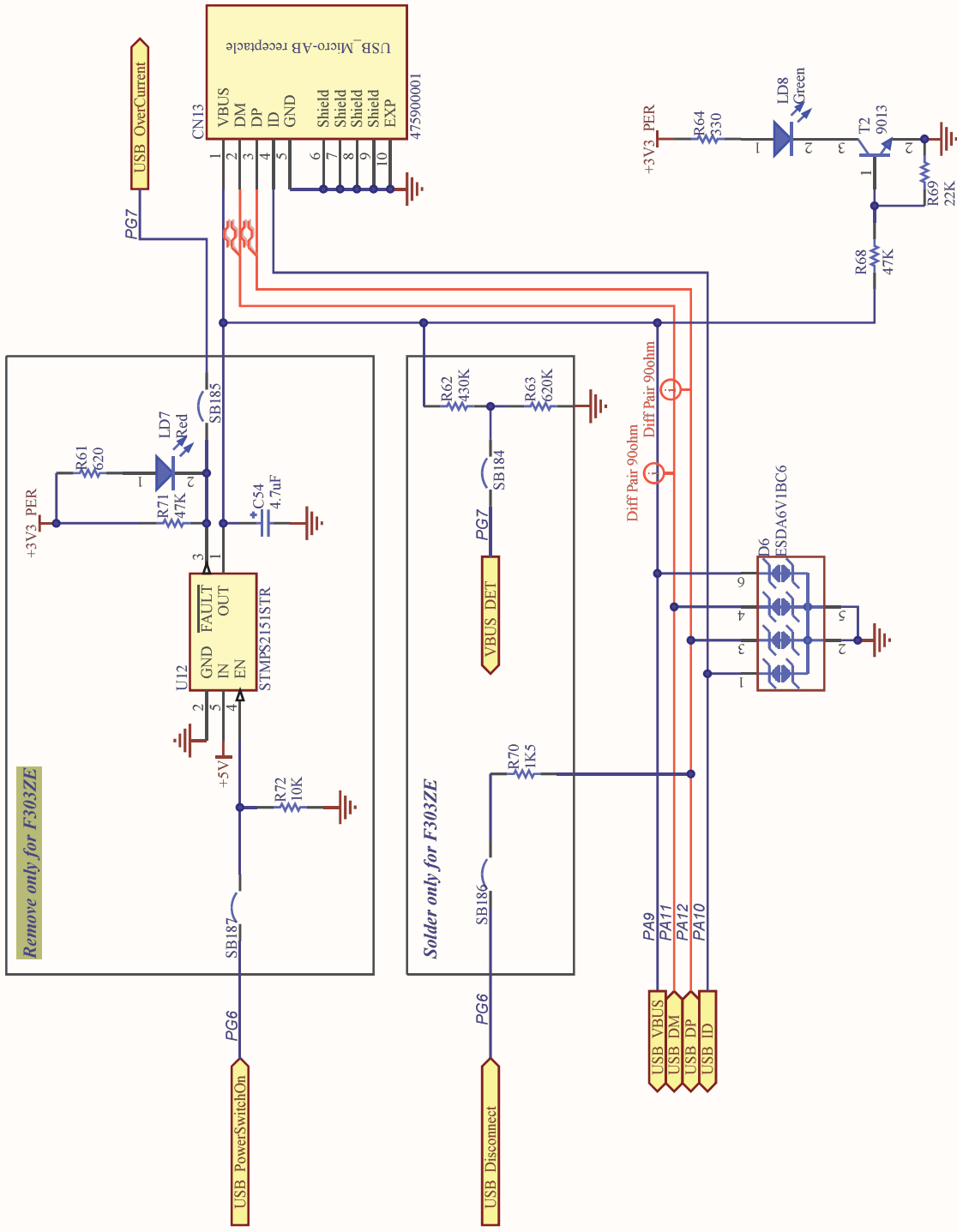
R35, SB125 & SB127 removed only for F303ZE.



Jumpers ON --> NUCLEO Selected
 Jumpers OFF --> ST-LINK Selected



life.augmented



Title: USB

Project: NUCLEO-XXXXX

Size: A4 Reference: MB1137

Date: 8/24/2015

Revision: B-01

Sheet: 4 of 6

