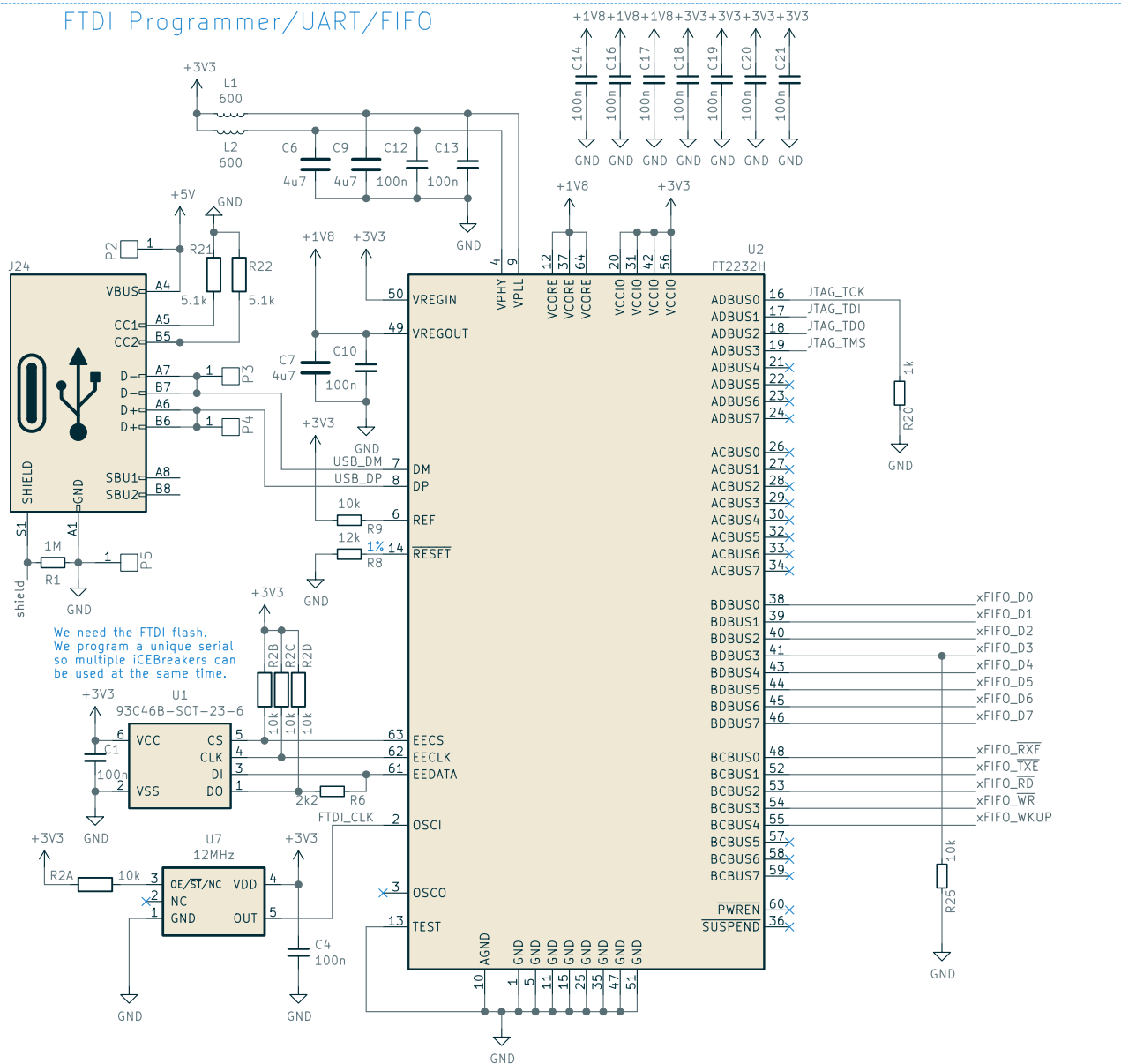
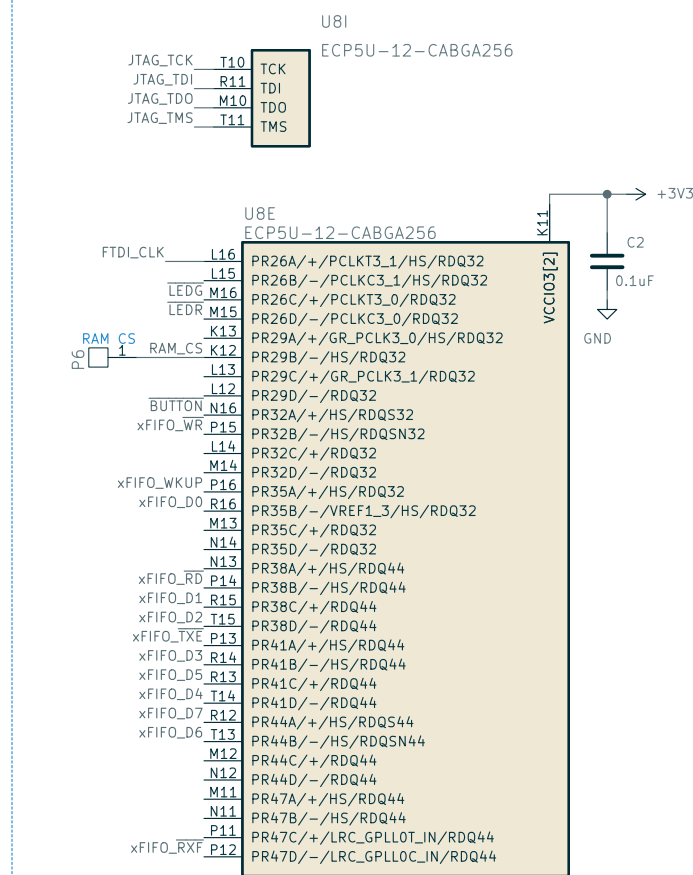


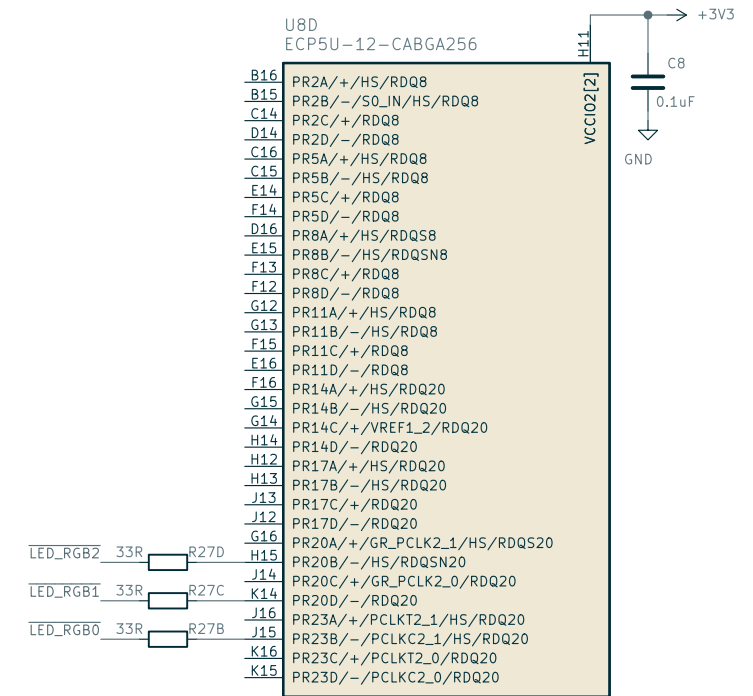
### FTDI Programmer/UART/FIFO



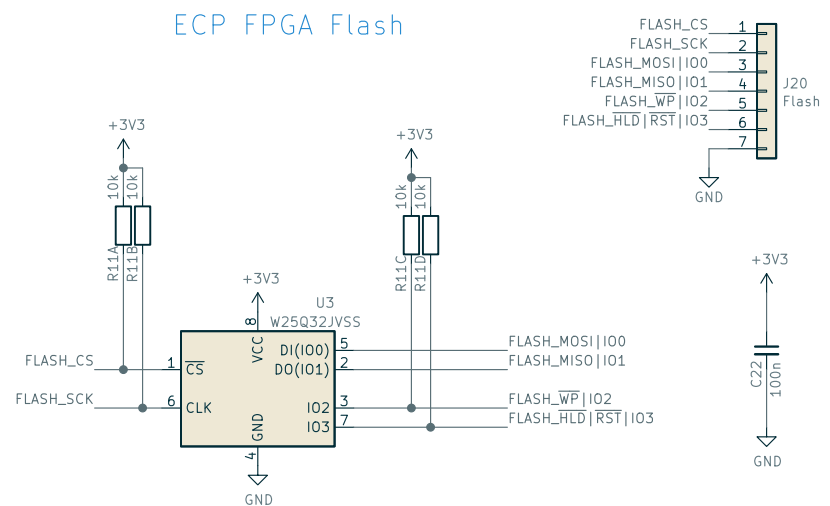
### ECP Bank 3 (FTDI + JTAG)



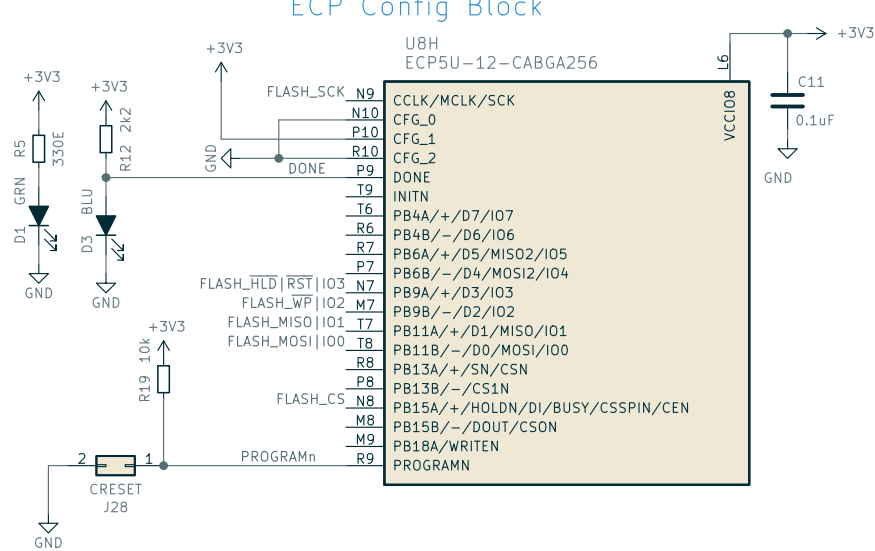
### ECP Bank 2 (LEDs)



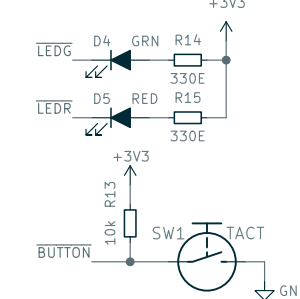
### ECP FPGA Flash



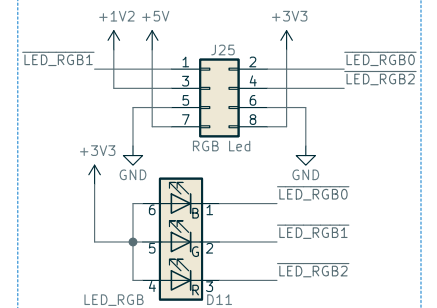
### ECP Config Block



### LED/BTN



### RGB LED



License: CC-BY-SA V4.0

2020 (C) GsD <greg.davill@gmail.com>

GsD

Sheet: /  
File: icebreaker++.kicad\_sch

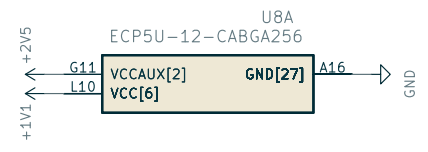
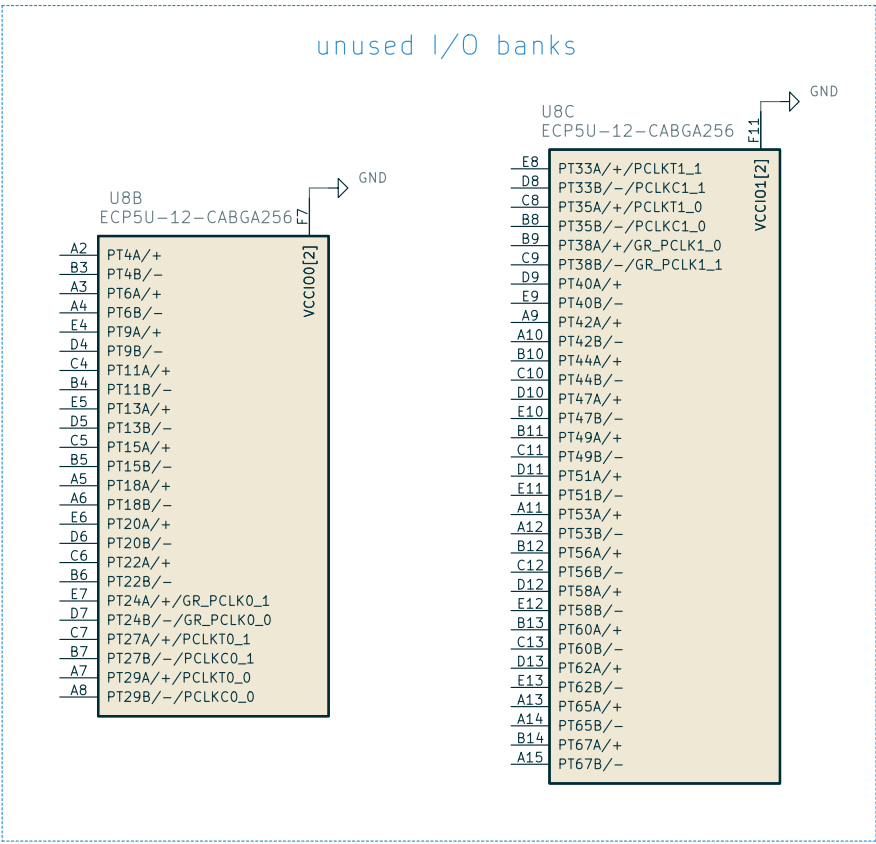
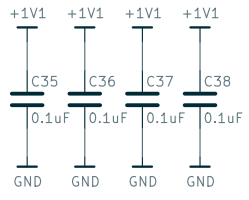
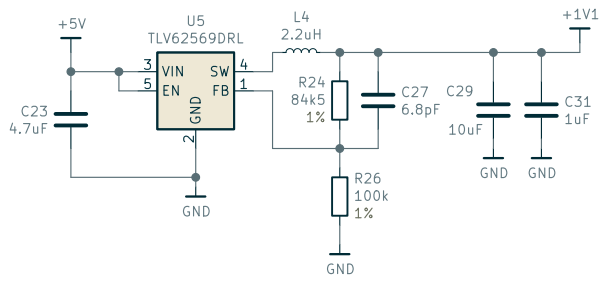
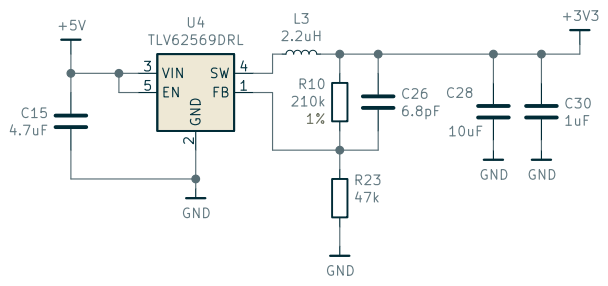
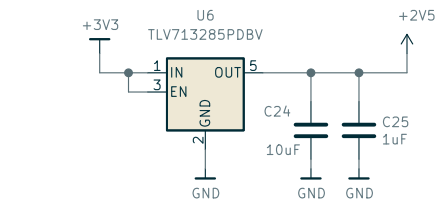
**Title: iCEBreaker++**

Size: A3 Date: 2020-12-05

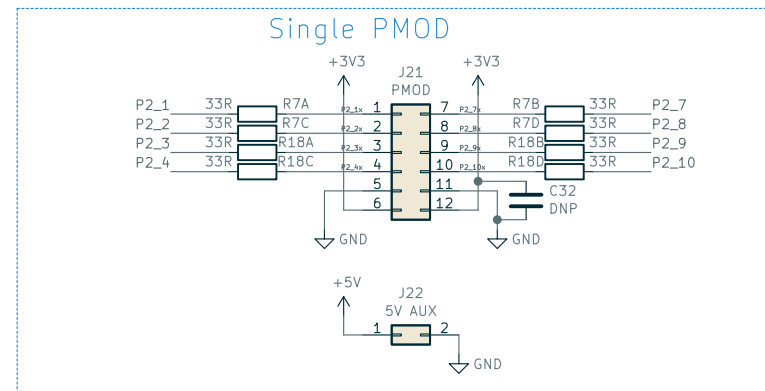
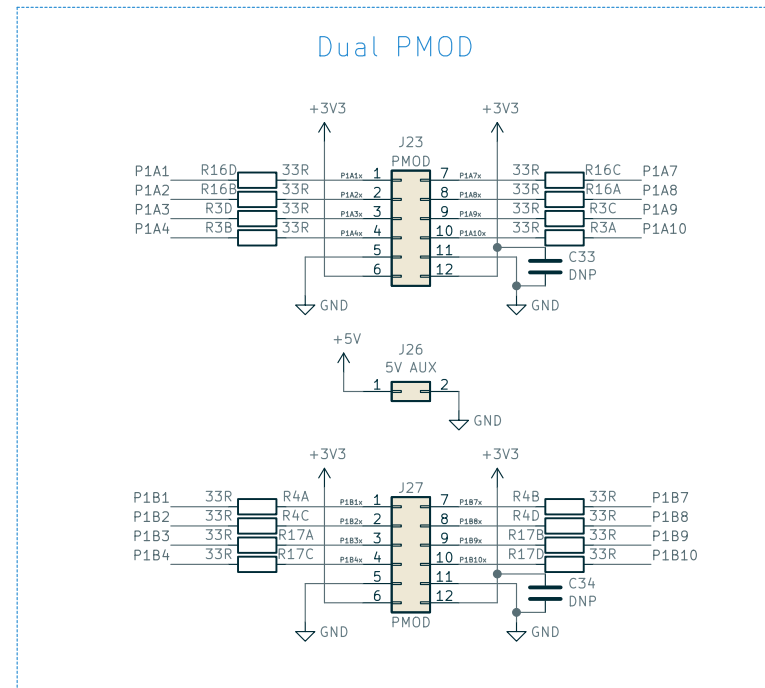
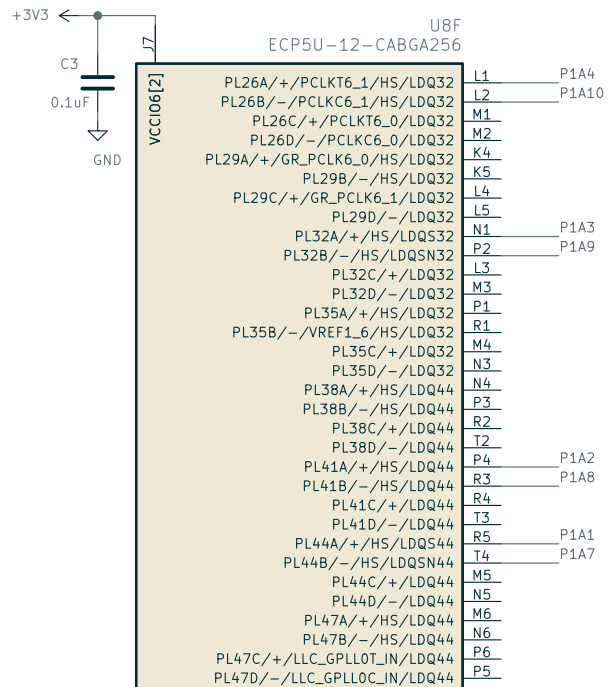
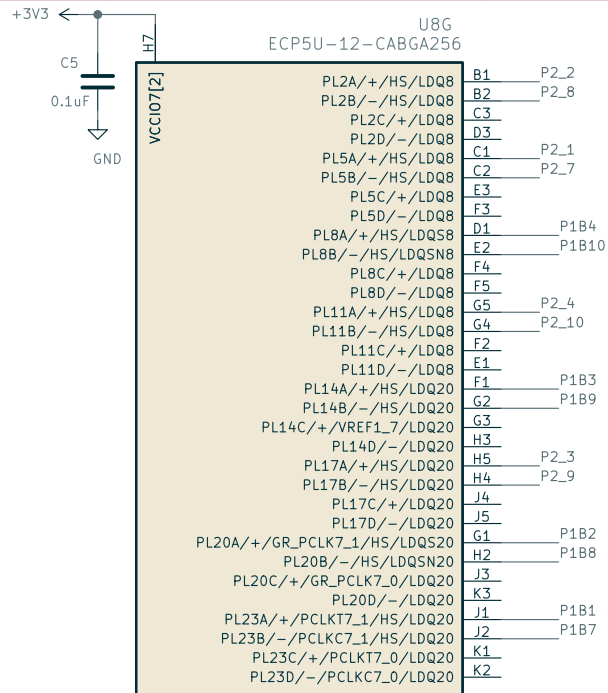
KiCad E.D.A. kicad 5.99.0-unknown-1a9878d6d106ubuntu20.04.1

Rev: V0.1

Id: 1/3



2020 (C) GsD <greg.davill@gmail.com>	
GsD	
Sheet: /FPGA/	
File: fpga.kicad_sch	
<b>Title: iCEBreaker++</b>	
Size: A4	Date: 2020-12-05
KiCad E.D.A. kicad 5.99.0-unknown-1a9878d6d106ubuntu20.04.1	Rev: V0.1
	Id: 2/3



2020 (C) GsD <greg.davill@gmail.com>

GsD

Sheet: /PMODS/

File: pmods.kicad\_sch

Title: iCEBreaker++

Size: A4 Date: 2020-12-05

KiCad E.D.A. kicad 5.99.0-unknown-1a9878d6d106ubuntu20.04.1

Rev: V0.1

Id: 3/3