

USB micro connector

Power LDOs

USB serial

Auto programmer

ESP32

Board interface

- |                          |                 |               |               |               |
|--------------------------|-----------------|---------------|---------------|---------------|
| LOG01<br>Logo_HalfMarble | H1 MountingHole | U5 MouseBite  | U7 MouseBite  | U6 MouseBite  |
| LOG02<br>Logo_HalfMarble | H2 MountingHole | U8 MouseBite  | U9 MouseBite  | U10 MouseBite |
| LOG03<br>Logo_HalfMarble | H3 MountingHole | U11 MouseBite | U12 MouseBite | U13 MouseBite |
|                          |                 | U14 MouseBite | U15 MouseBite | U16 MouseBite |



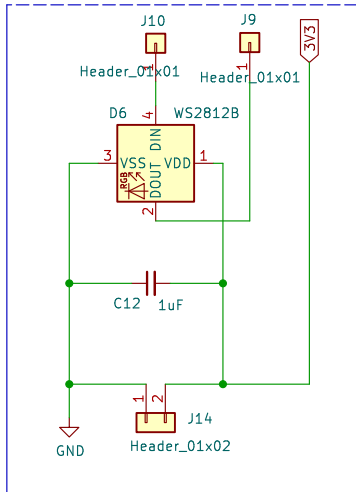
halfmarble

Sheet: /  
File: NEAToBOARD\_ESP32.kicad\_sch

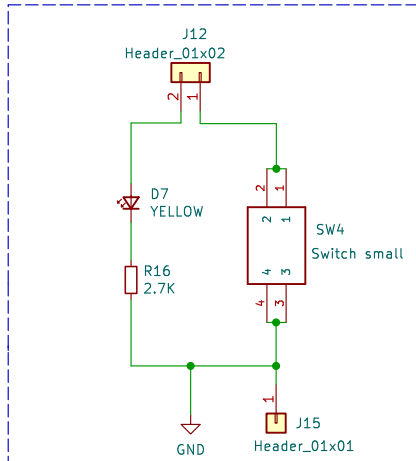
**Title: NEAToBOARD**

Size: A4 Date: 2023-02-21  
KiCad E.D.A. kicad 7.0.10

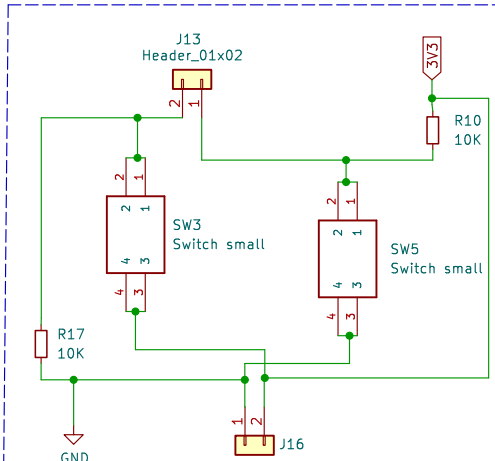
Rev: L  
Id: 1/2



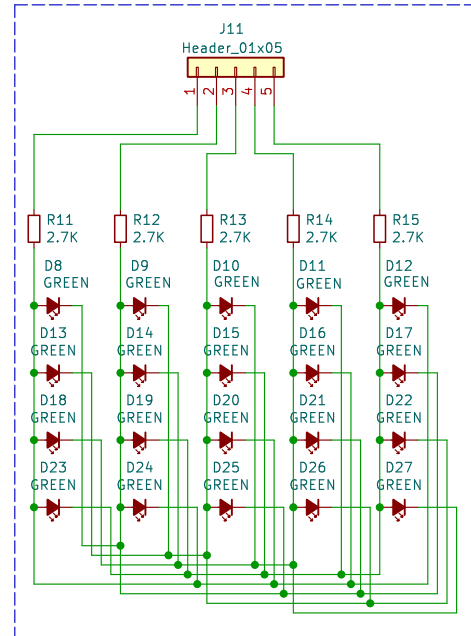
SMD RGB LED



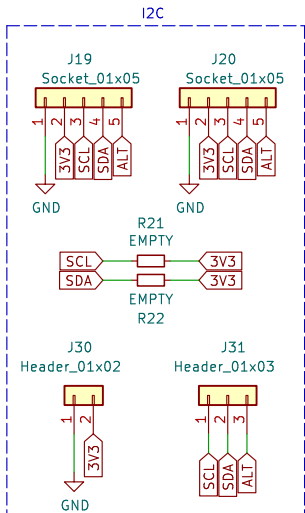
BUTTON FLOATING



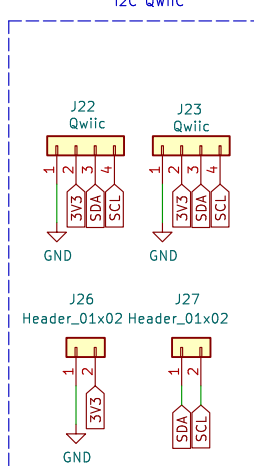
BUTTON1 PULL DOWN AND BUTTON2 PULL UP



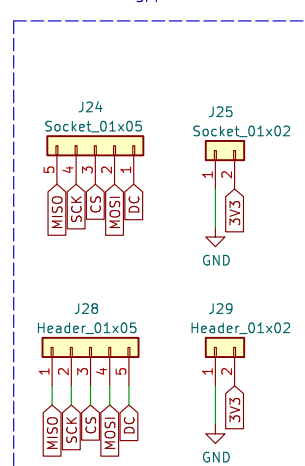
LED MATRIX (CHARLIEPLEXING)



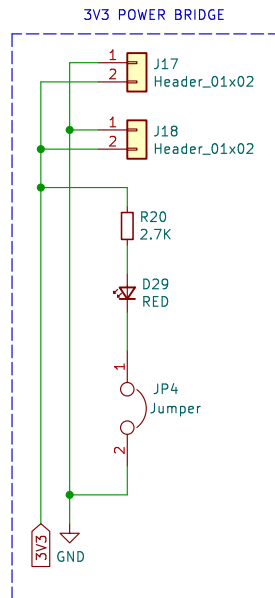
I2C



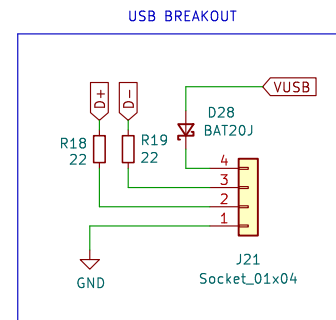
I2C Qwiic



SPI



3V3 POWER BRIDGE



USB BREAKOUT

halfmarble

Sheet: /Sheet604172E7/  
File: NEAToBOARD\_ESP32Extras.kicad\_sch

**Title: NEAToBOARD**

Size: A4 Date: 2023-02-21  
KiCad E.D.A. kicad 7.0.10

Rev: L  
Id: 2/2