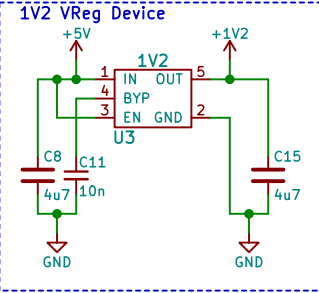
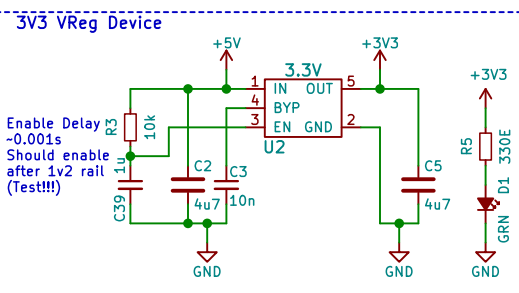
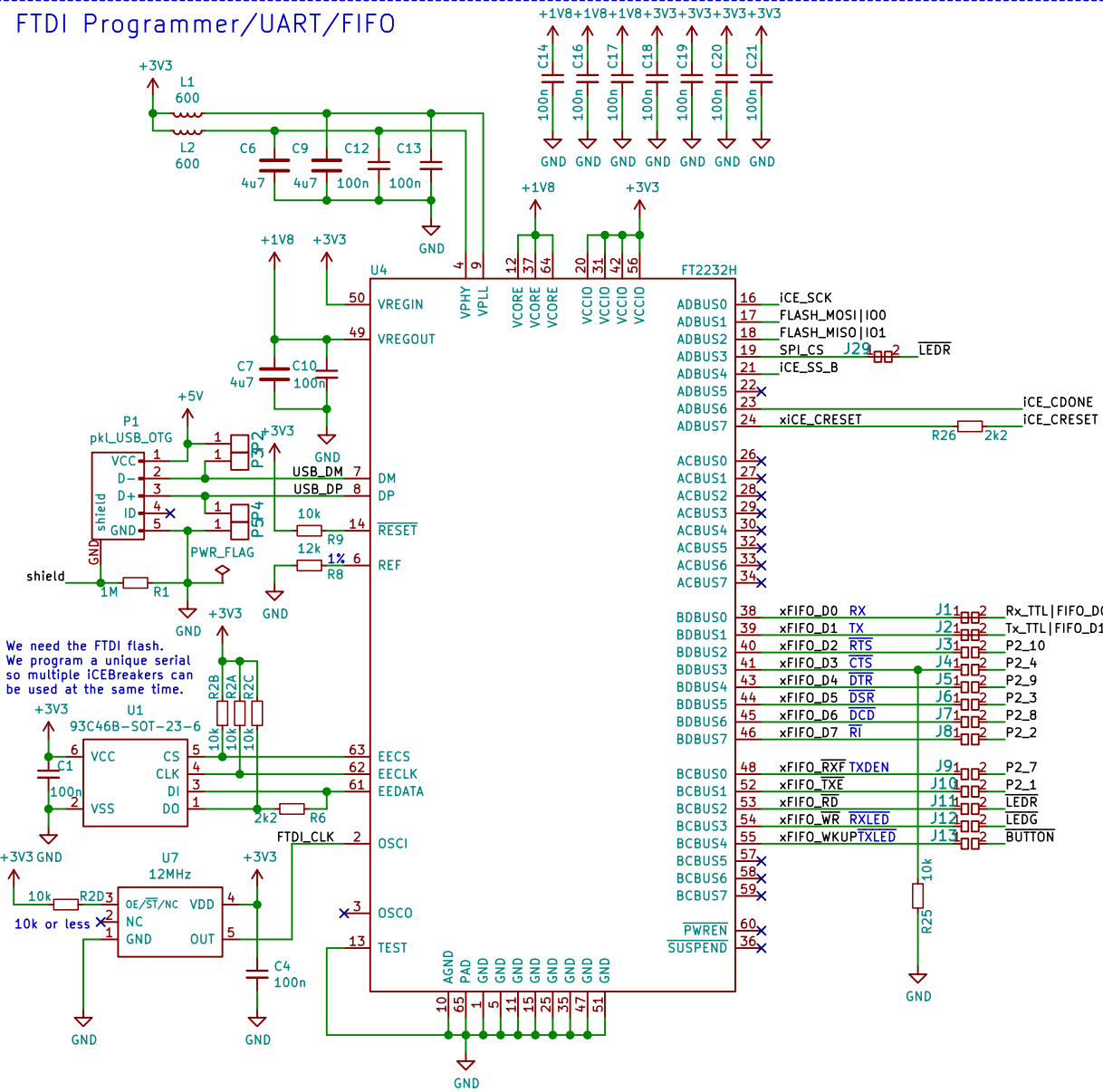
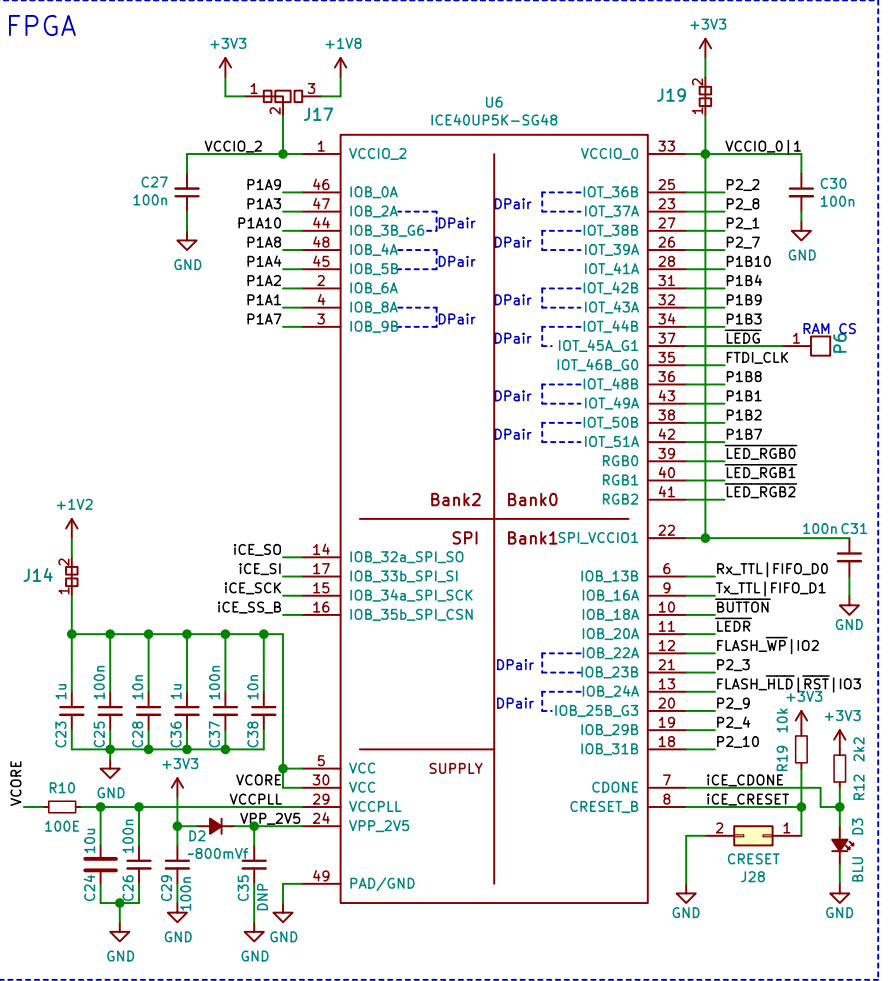


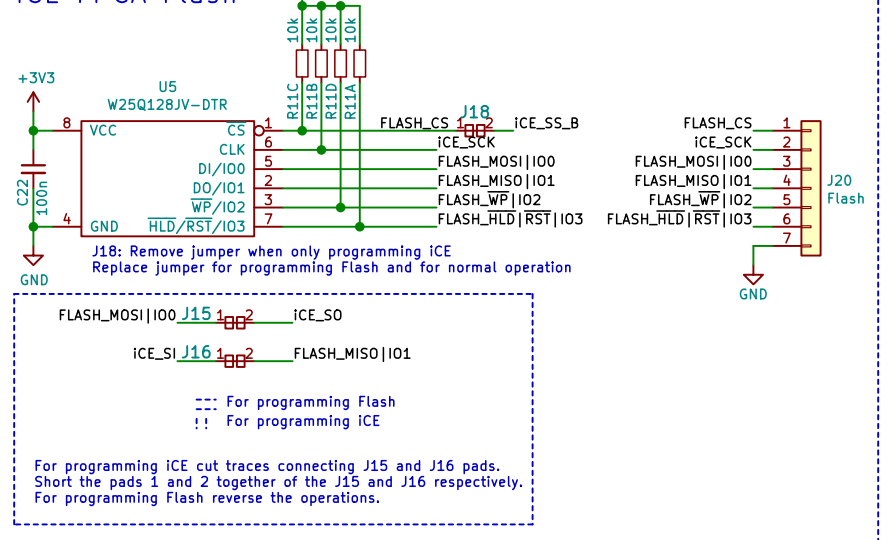
FTDI Programmer/UART/FIFO



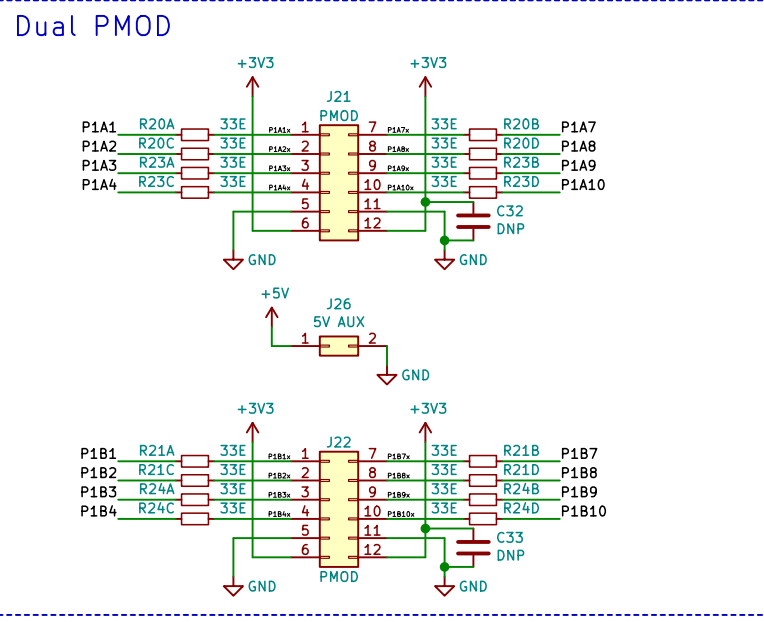
FPGA



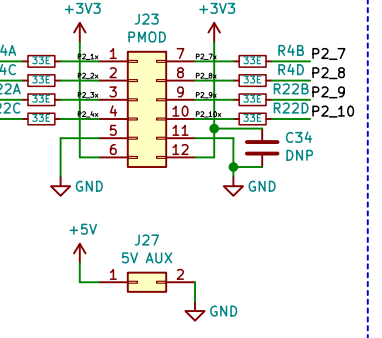
ICE FPGA Flash



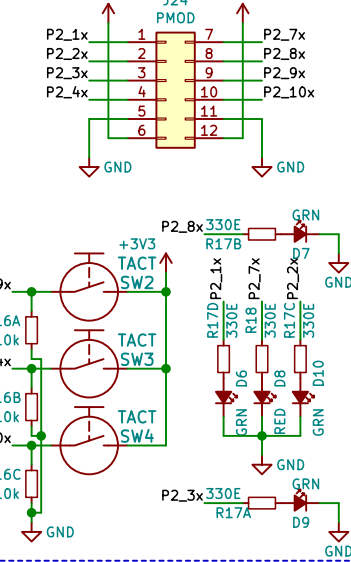
Dual PMOD



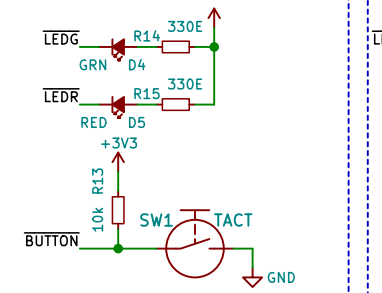
Single PMOD



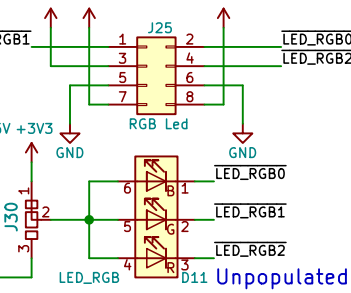
Break Off Section



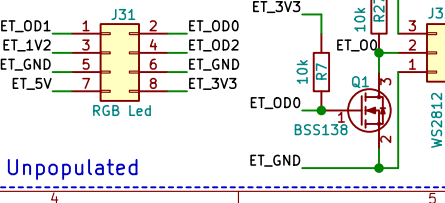
LED/BTN



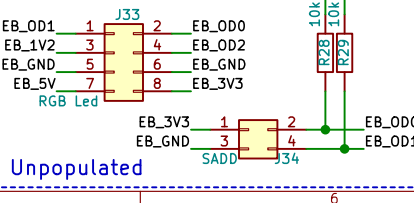
RGB LED



WS2812 "Ear"



SAO/I2C "Ear"



License: CC-BY-SA V4.0
 2019 (C) Piotr Esden-Tempski <piotr@esden.net>
 2019 (C) 1BitSquared <info@1bitsquared.com>
1BitSquared
 Sheet: /
 File: icebreaker.sch
Title: iCEBreaker
 Size: A3 Date:
 KiCad E.D.A. kicad 5.1.4-e60b26684ubuntu18.04.1
 Rev: V1.0e
 Id: 1/1